

SH. 1
OF 1

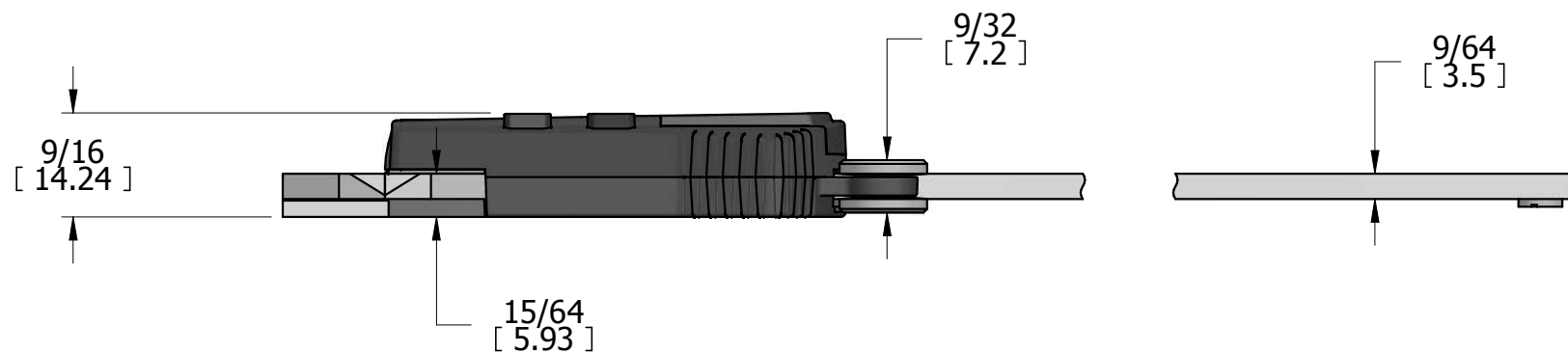
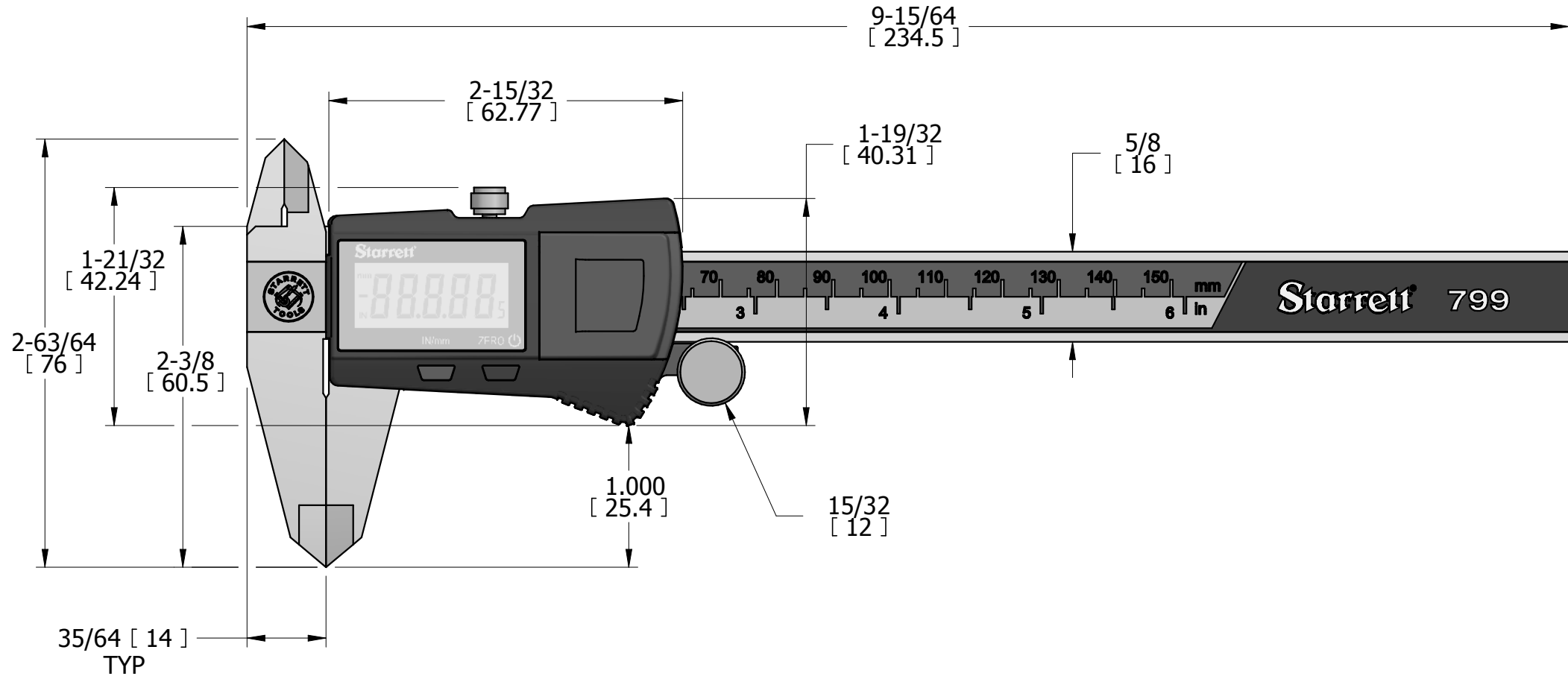
CAT NO

EC799A-6/150

CUSTOMER DIMENSIONS

DO NOT
SEPARATE
PRINT FROM
WORK

LOT NO



REV	DESCRIPTION	DATE	BY
DR	mingman	CHK	DATE 12/3/13

CALIPER, ELECTRONIC 6"

THE L.S. STARRETT CO.
ATHOL, MASS.

FRACTIONAL TOLERANCE +/- 1/64 UNLESS OTHERWISE NOTED