

SH. 1
OF 1

CAT NO

PT06632-12

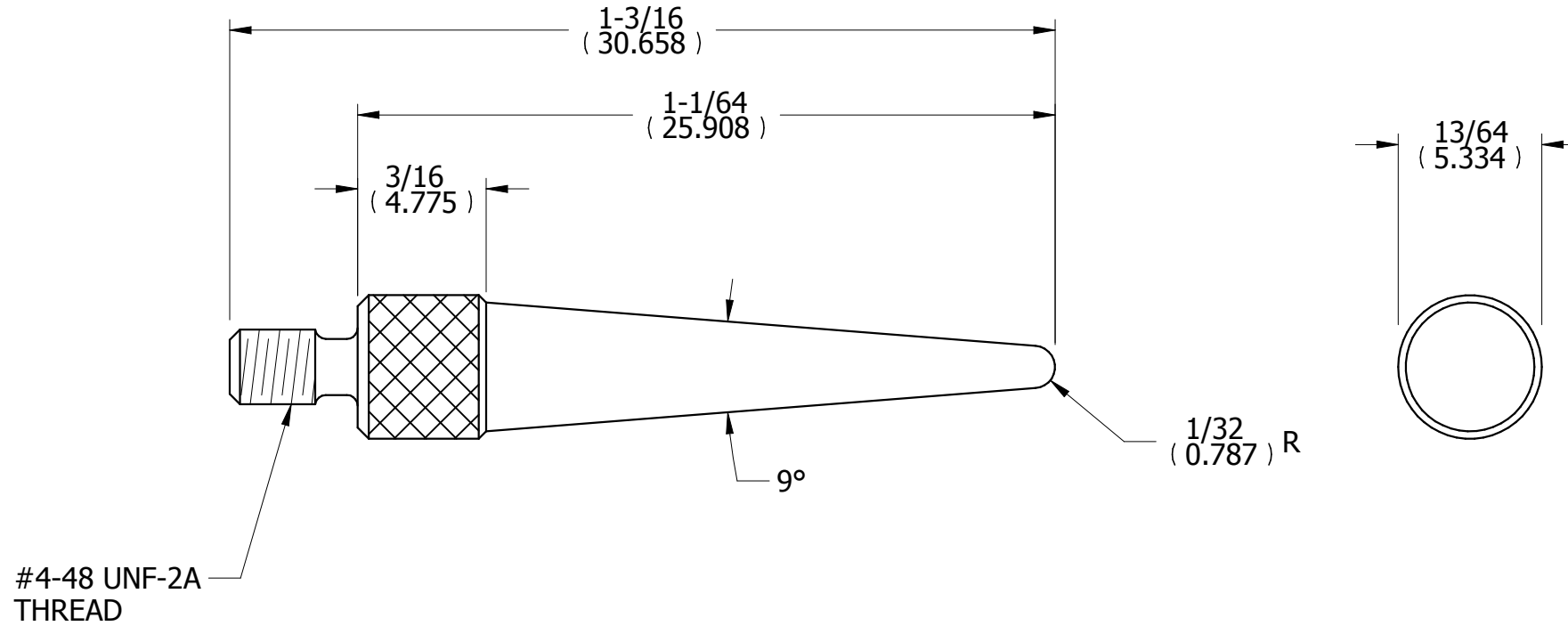
CUSTOMER DIMENSIONS

DO NOT
SEPARATE
PRINT FROM
WORK

LOT NO

OPER

TOOLS



#4-48 UNF-2A
THREAD

REV	DESCRIPTION	DATE	BY
DR	JAE	CHK	DATE 10/8/15

CONTACT POINT

THE L.S. STARRETT CO.
ATHOL, MASS.

FRACTIONAL TOLERANCE $\pm 1/64$ UNLESS OTHERWISE NOTED