

SH. 1
OF 1

CAT NO

PT06632-18

CUSTOMER DIMENSIONS

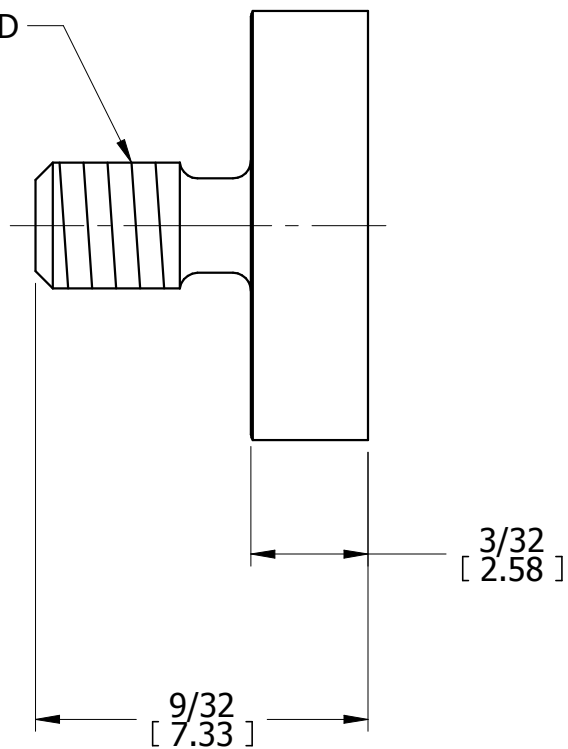
DO NOT
SEPARATE
PRINT FROM
WORK

LOT NO

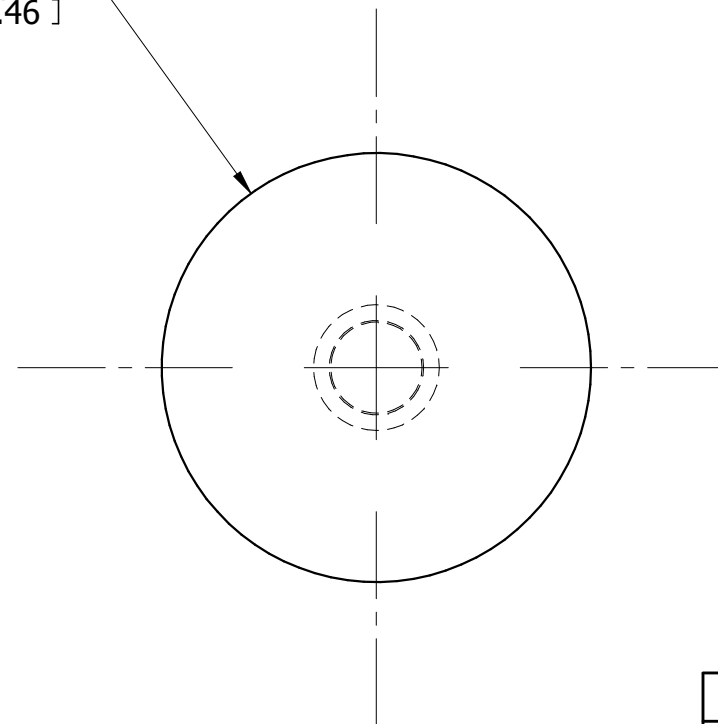
OPER

TOOLS

#4-48 UNF-2A THREAD



$3/8$
[9.46]



REV	DESCRIPTION	DATE	BY
-----	-------------	------	----

DR	DSP	CHK	DATE
----	-----	-----	------

FLAT CONTACT POINT
3/8" DIAMETER

FRACTIONAL TOLERANCE +- 1/64 UNLESS OTHERWISE NOTED

THE L.S. STARRETT CO.
ATHOL, MASS.