

SH. 1  
OF 1

CAT NO

PT06632-19

CUSTOMER DIMENSIONS

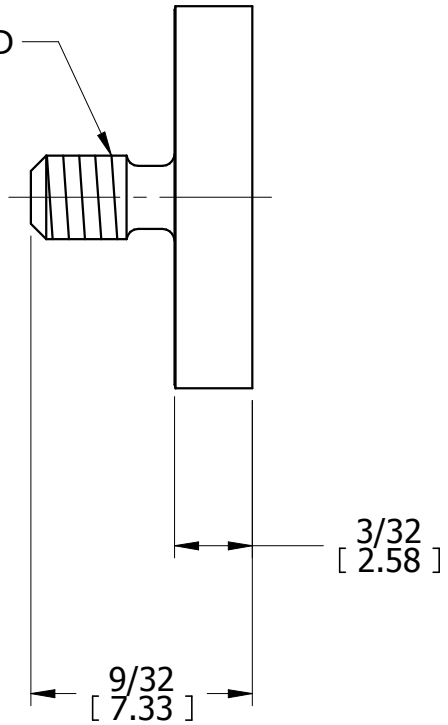
DO NOT  
SEPARATE  
PRINT FROM  
WORK

LOT NO

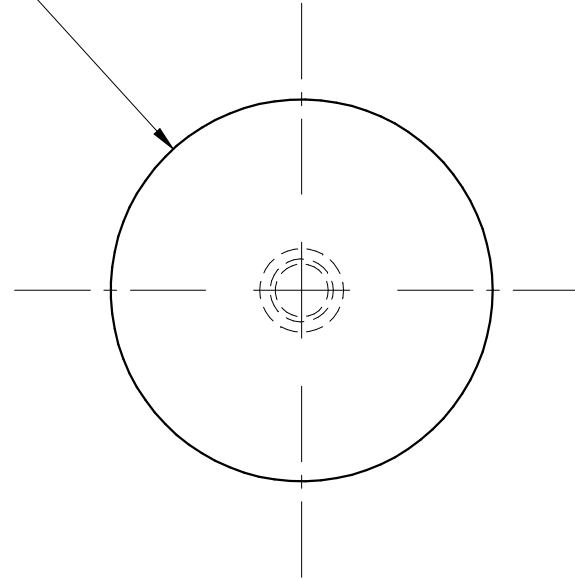
OPER

TOOLS

#4-48 UNF-2A THREAD



1/2  
[ 12.64 ]




REV	DESCRIPTION	DATE	BY
-----	-------------	------	----

DR	DSP	CHK	DATE
----	-----	-----	------

FLAT CONTACT POINT  
1/2" DIAMETER

THE L.S. STARRETT CO.  
ATHOL, MASS.

FRACTIONAL TOLERANCE +- 1/64 UNLESS OTHERWISE NOTED