

SH. 1  
OF 1

CAT NO

PT06632-5

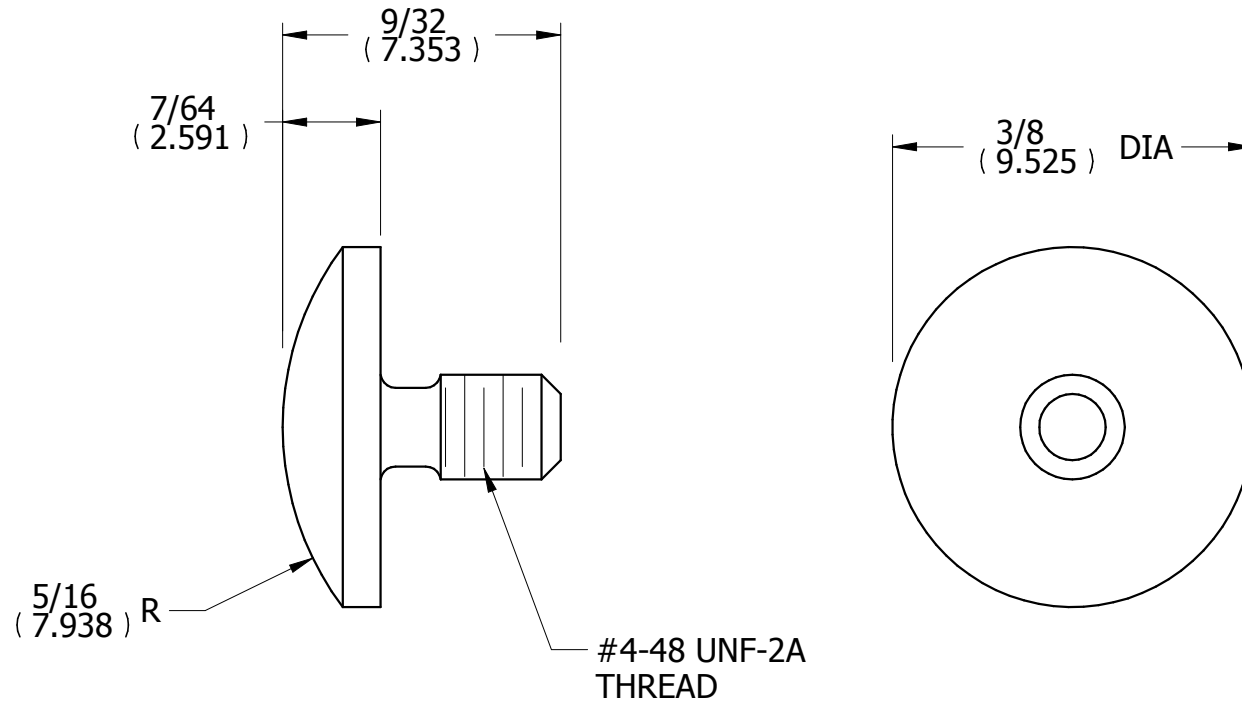
CUSTOMER DIMENSIONS

DO NOT  
SEPARATE  
PRINT FROM  
WORK

LOT NO

OPER

TOOLS



REV	DESCRIPTION	DATE	BY
DR	EWf	CHK	DATE 9/17/15

NO. 5 ANVIL  
5/16 RADIUS

THE L.S. STARRETT CO.  
ATHOL, MASS.

FRACTIONAL TOLERANCE +- 1/64 UNLESS OTHERWISE NOTED