

SH. 1
OF 1

CAT NO

PT06632-6

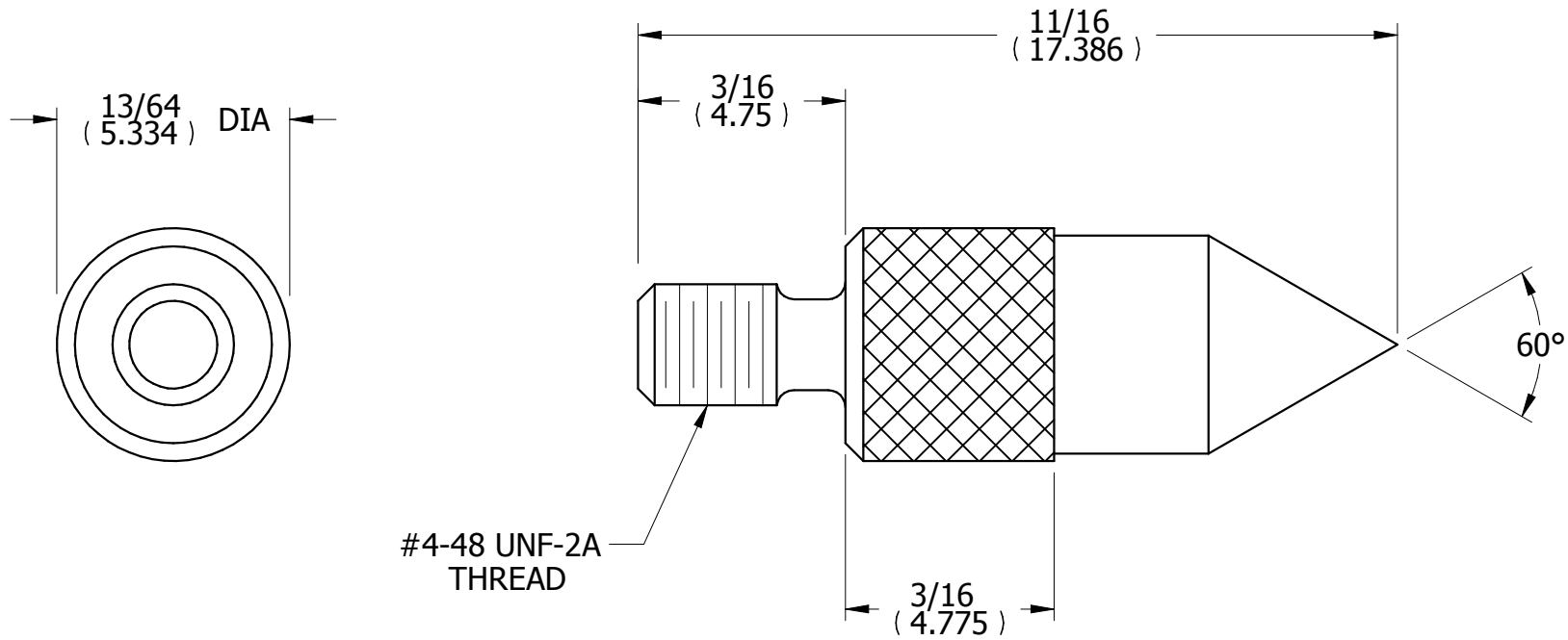
CUSTOMER DIMENSIONS

DO NOT
SEPARATE
PRINT FROM
WORK

LOT NO

OPER

TOOLS



#4-48 UNF-2A
THREAD

REV	DESCRIPTION	DATE	BY
DR	CAP	CHK	DATE 9/18/15

CONTACT POINT
#6-60°

THE L.S. STARRETT CO.
ATHOL, MASS.

FRACTIONAL TOLERANCE +- 1/64 UNLESS OTHERWISE NOTED