

SH. 1
OF 1

CAT NO

PT22428

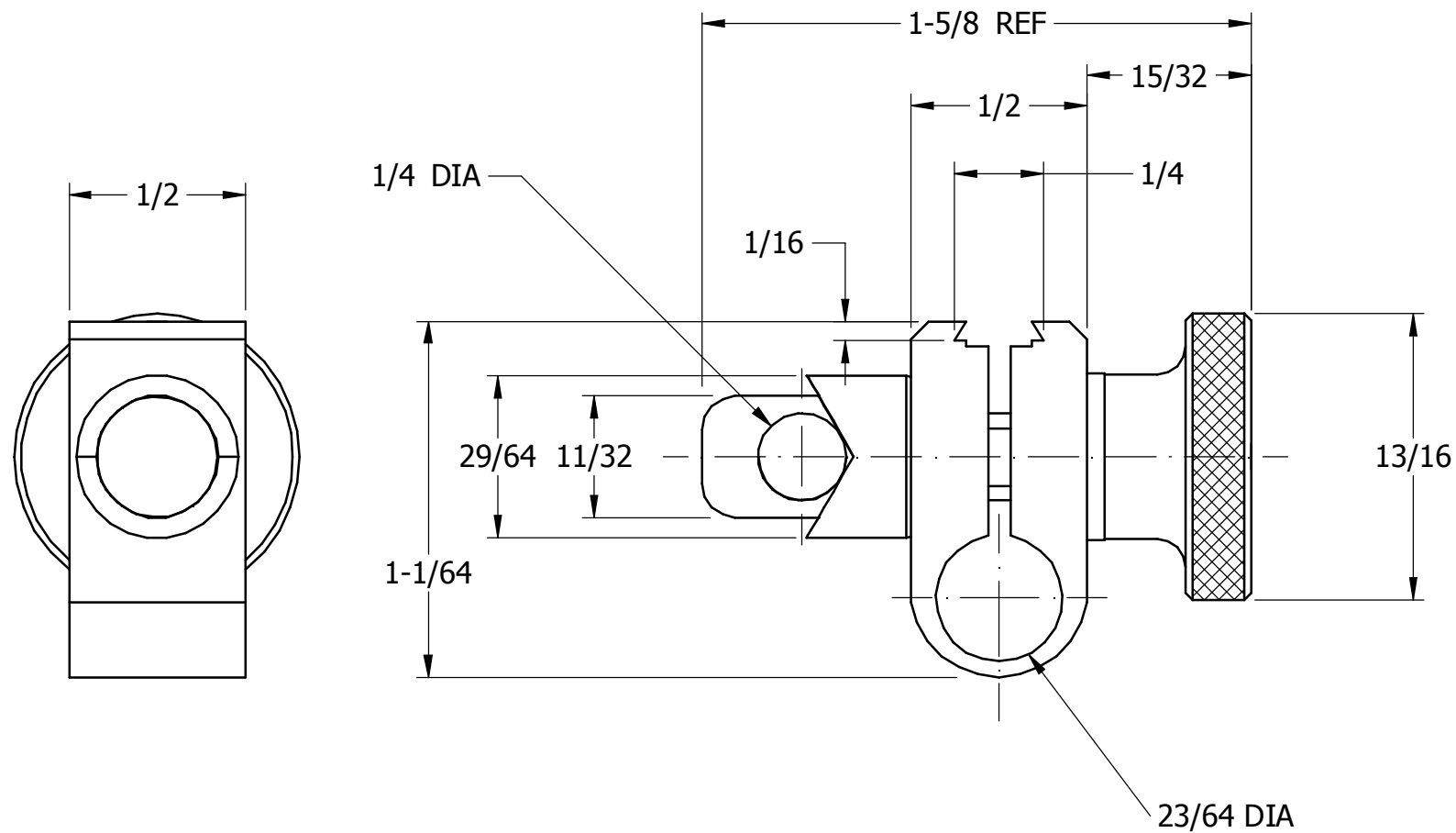
SIZE

DO NOT
SEPARATE
PRINT FROM
WORK

LOT NO

OPER

TOOLS



REV	DESCRIPTION	DATE	BY
DR	JEG	CHK	DATE

**SNUG
DOVE TAIL STYLE**

FRACTIONAL TOLERANCE $\pm 1/64$ UNLESS OTHERWISE NOTED

THE L.S. STARRETT CO.
ATHOL, MASS.