

SH. 1  
OF 1

CAT NO

PT23942

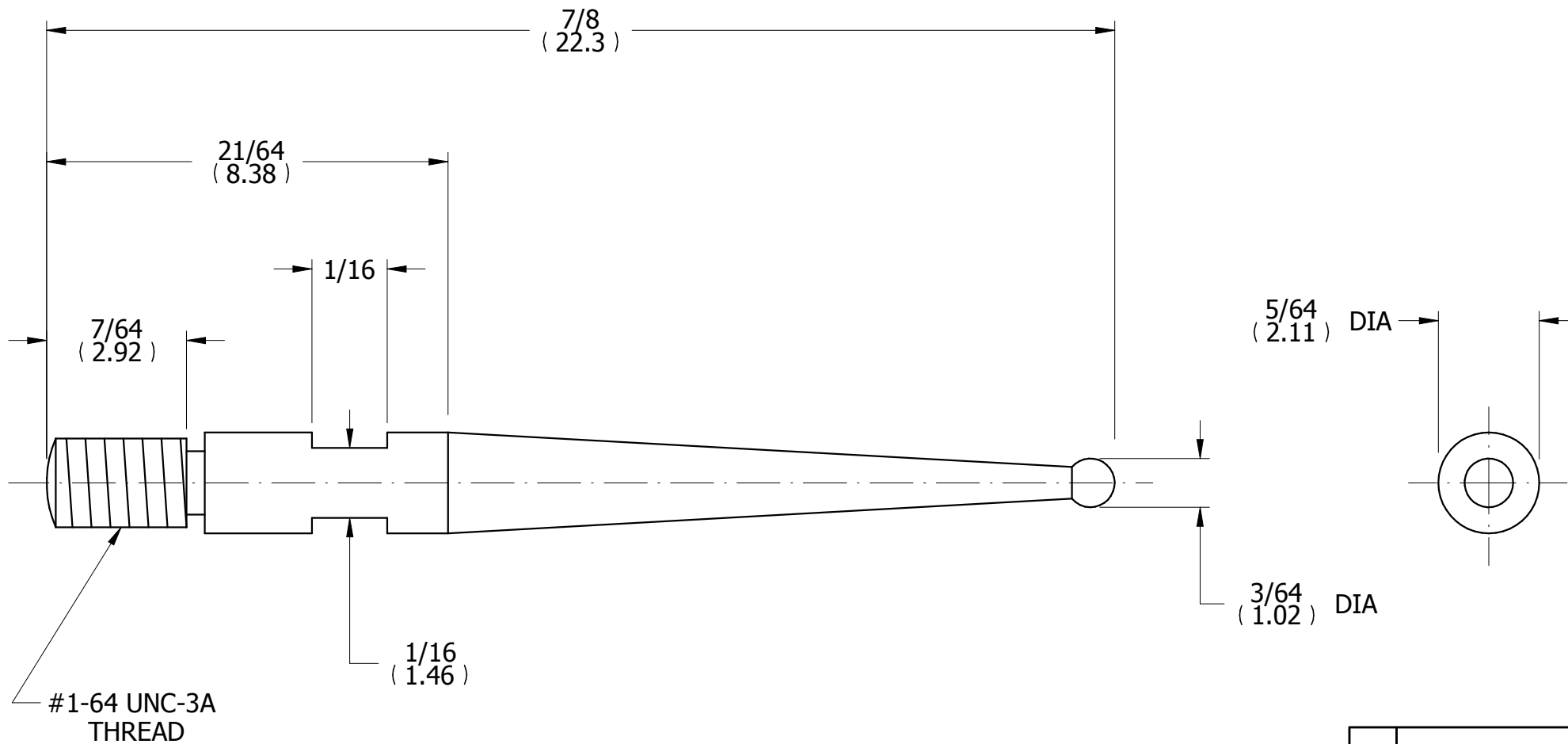
CUSTOMER DIMENSIONS

DO NOT  
SEPARATE  
PRINT FROM  
WORK

LOT NO

OPER

TOOLS




REV	DESCRIPTION	DATE	BY
DR	CAP	CHK	DATE 7/24/15

**.040" DIA CARBIDE  
CONTACT POINT**

FRACTIONAL TOLERANCE +- 1/64 UNLESS OTHERWISE NOTED

**THE L.S. STARRETT CO.  
ATHOL, MASS.**