

SH. 1
OF 1

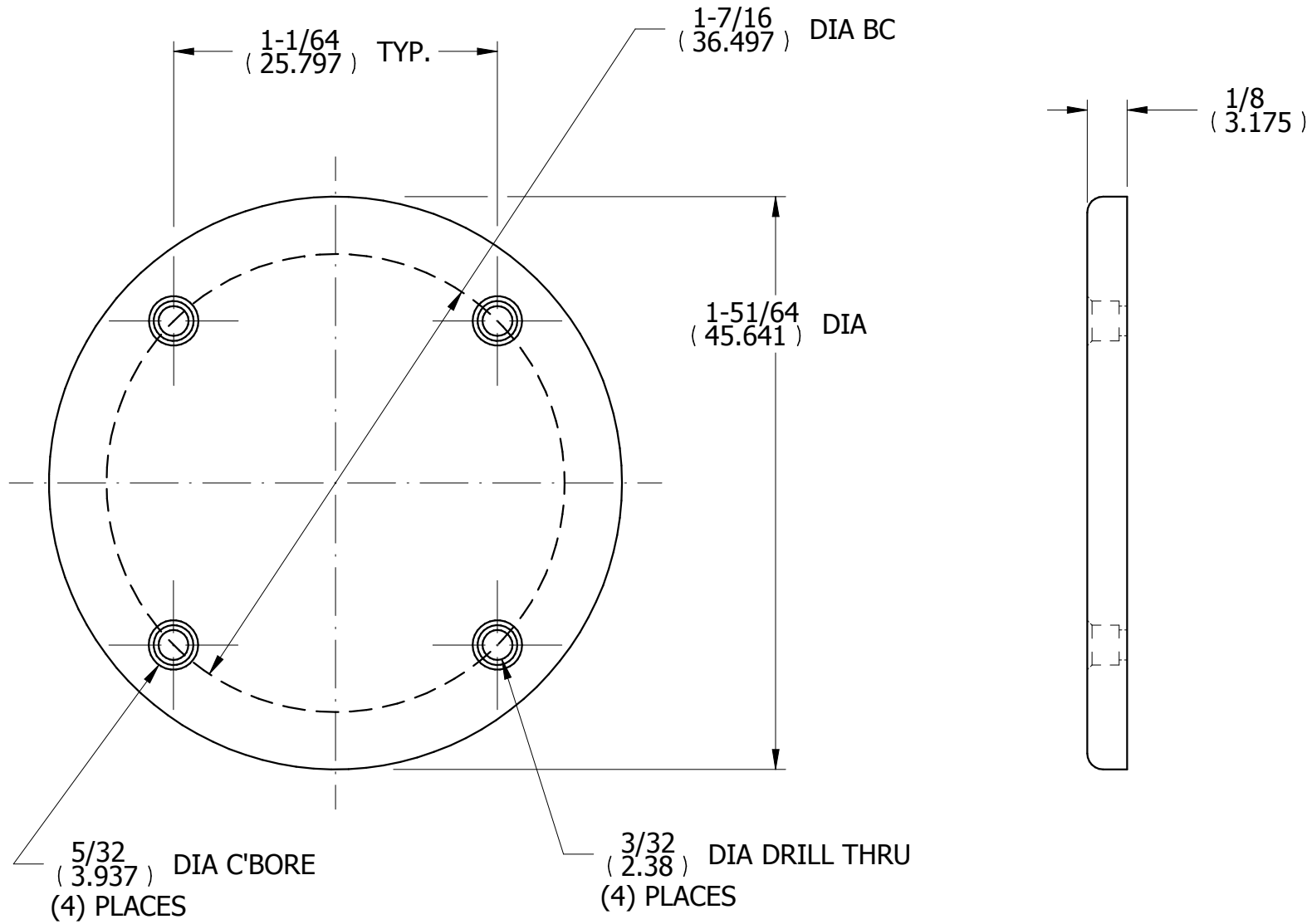
CAT NO

PT26406

CUSTOMER DIMENSIONS

DO NOT
SEPARATE
PRINT FROM
WORK

LOT NO



REV	DESCRIPTION	DATE	BY
DR	JMR	CHK	DATE 11/3/15

FLAT BACK

FRACTIONAL TOLERANCE +- 1/64 UNLESS OTHERWISE NOTED

THE L.S. STARRETT CO.
ATHOL, MASS.