

SH. 1
OF 1

CAT NO

S898Z-1

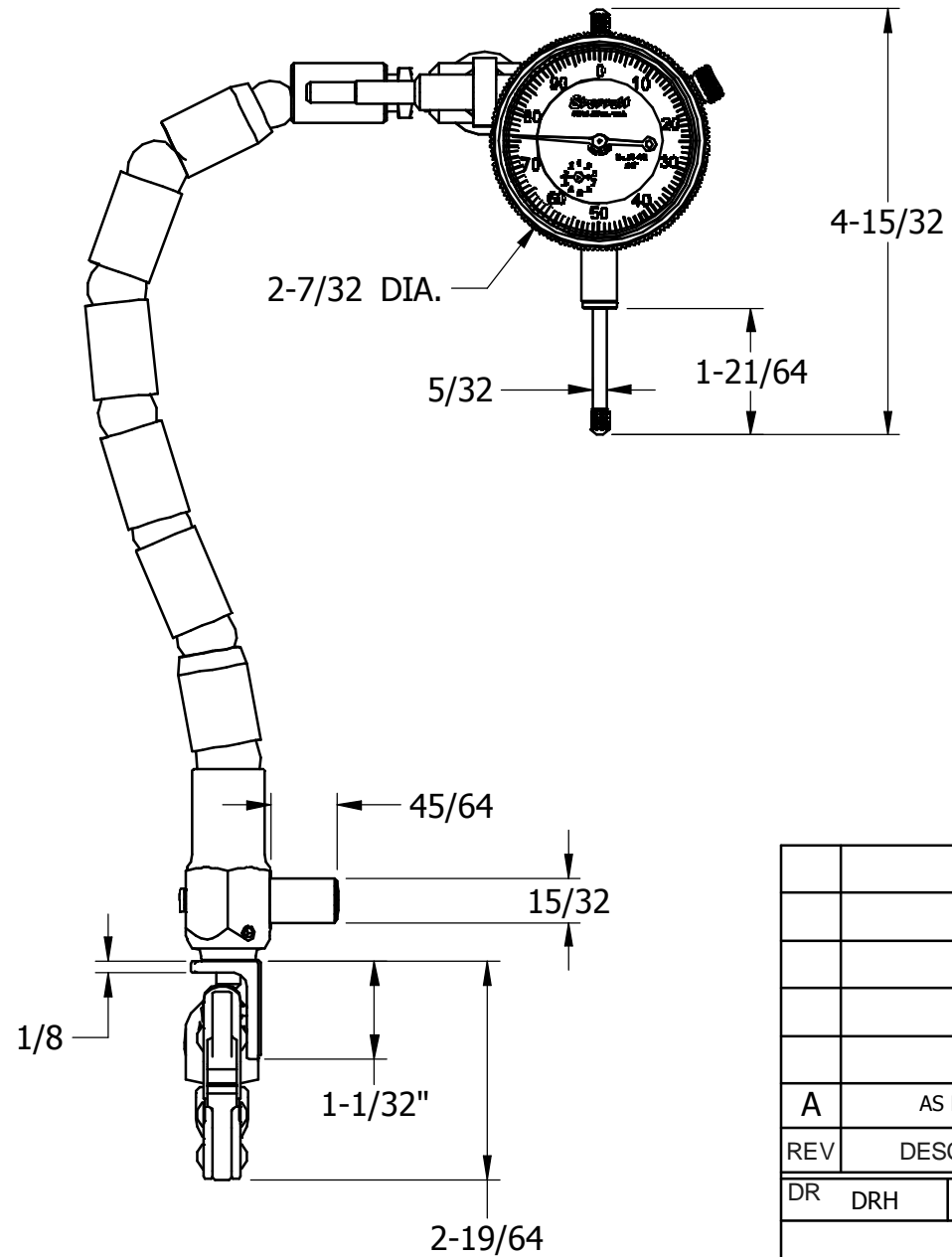
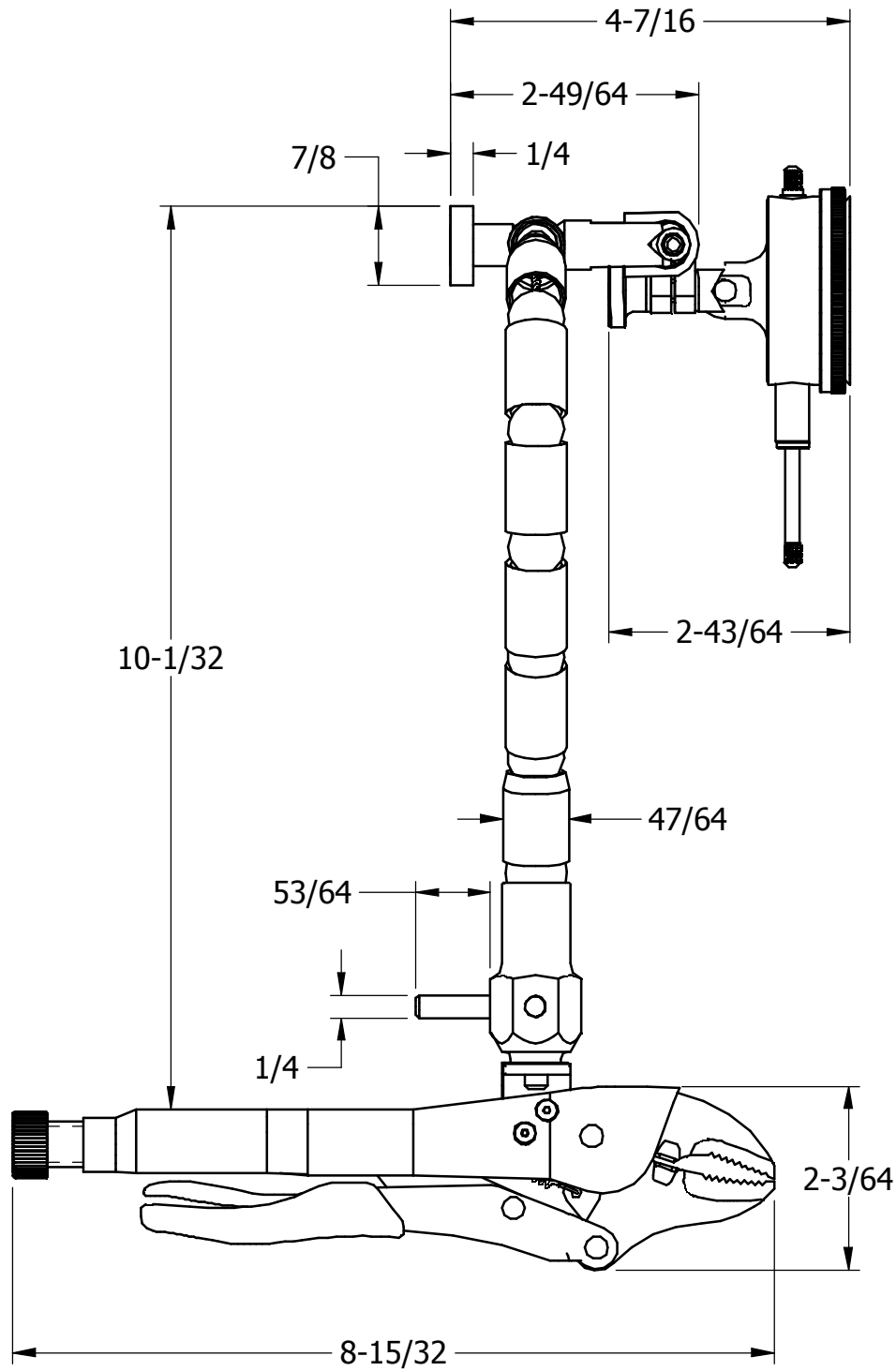
CUSTOMER DIMENSIONS

DO NOT
SEPARATE
PRINT FROM
WORK

LOT NO

OPER

TOOLS



FRACTIONAL TOLERANCE +- 1/64 UNLESS OTHERWISE NOTED

A	AS RELEASED	6-14-10	DRH
REV	DESCRIPTION	DATE	BY
DR	DRH	CHK	DATE 6-14-10
INSPECTION KIT			
THE L.S. STARRETT CO. ATHOL, MASS.			