



# USER'S GUIDE

AALUX2 SERIES

ALUMINUM MINI ARCHITECTURAL BASEBOARD

REPLACEMENT COMPONENT LIST INCLUDED



AALUX2 MODELS

This unit  
complies with  
the CSA and  
UL standards





## WARNING

# IMPORTANT INSTRUCTIONS

Before installing and operating this product, the user and/or installer must read, understand and follow these instructions and keep them handy for future reference. If these instructions are not followed, the warranty will be considered null and void and the manufacturer deems no further responsibility for this product.

This product must be installed by a qualified person and connected by a **certified electrician**, according to the **electrical and building codes** effective in your region.

The following instructions must be adhered to in order to avoid personal injuries or property damages, serious injuries and potentially fatal electric shocks.

Protect the heating unit with the appropriate circuit breaker or fuse, in accordance with the nameplate.

Make sure the line voltage (volt) is consistent with that indicated on the unit's nameplate.

This unit must be **grounded**.

Switch off the power at the circuit breaker/fuse before installing, repairing and cleaning the unit.

Make sure the unit is appropriate for the intended use (if needed, refer to the product catalog or a representative).

### **RECOMMENDED HEATING CAPACITY: 1.25 W/cubic foot (0.03 m<sup>3</sup>)**

It corresponds to **10 W/square foot (0.09 m<sup>2</sup>)** based on a standard ceiling height of 8 feet (2.44 m). The recommended capacity is usually sufficient for normal heating needs. Please note that the insulation quality of walls and windows are some of the factors that influence heat losses, which modify the required capacity to heat a room. If needed, refer to a specialist (industrial and commercial buildings) who will be able to calculate these heat losses and optimize the required capacity or consult the "Online heating calculation" section of the Stelpro website (residential buildings).

Do not install the unit where objects or pieces of furniture could be heat damaged.

If the unit capacity is insufficient for the size of the room, it will be in operation continuously, and may become defective earlier and turn yellow.

**Respect distances and positions** indicated in the installation section.

If the installer or the user modifies the unit, he will be held responsible for any damage resulting from this modification, and the CSA certification could be void.

When cutting or drilling into a wall, be careful not to damage electrical wiring and other hidden utilities.

Do not install this product on floors made of synthetic material such as, but not limited to, carpet.

When starting up the unit for the first time or after a long period, it is normal that it produces some temporary odours and whitish smoke.

Because this unit is hot when in use, it may pose risks even in normal operation. Therefore, be **careful and responsible** when using it. To avoid burns, do not let bare skin touch hot surfaces. Let the unit cool down for a few minutes before handling it (it stays warm for some time after shut-down).

Leave at least **3 inches (7.5 cm)** between the front of the unit and objects such as, but not limited to, beds, tables, armchairs, curtains, etc. Leave at least **6 inches (15 cm)** of space between the top of the unit and objects such as, but not limited to furniture, pillows, curtains, blankets, towels, laundry baskets, clothing, papers, etc. Furthermore, certain materials are more sensitive to heat than others, you must assure that these materials are located at a proper proximity where they can handle the heat released.

**CAUTION** - High Temperature, Keep Electrical Cords, Drapes, And Other Furnishings Away From Heater.

Do not install on a wall behind a door.

Not for residential use for unit 150 W, and higher, per linear foot density.

Never block unit air vents. This obstruction could lead to overheating, which could result in a fire. Do not use on soft surfaces, like a bed, where openings may become blocked.

Do not insert or allow foreign objects to enter any air vent as this may cause electric shocks, fires, or damages to the unit.

This unit has hot and arcing or sparking parts inside. It is not designed to be used or stored in wet areas or areas containing flammable liquids, combustible materials or corrosive, abrasive, chemical, explosive and flammable substances such as, but not limited to, gasoline, paint, chlorine, sawdust and cleaning products.

Some areas are dustier than others. Thus, it is the user's responsibility to evaluate if the unit **must be cleaned** based on the amount of dirt accumulated on and inside air vents. Accumulated dirt can lead to a component malfunction or discoloration (yellow). It may cause a fire hazard if not installed and maintained in accordance with these instructions.

The thermal protection activation indicates that the unit has been subjected to abnormal operating conditions. If the thermal protection remains activated or activates and deactivates repeatedly, it is recommended that a qualified electrician or a certified repair centre examine the unit in order to make sure it is not damaged. (Refer to the limited warranty)

If the unit is damaged or defective, cut off power supply at circuit breaker and call a certified repair centre. (Refer to the limited warranty)

## SAVE THESE INSTRUCTIONS

**Note:** When a part of the product specification must be changed to improve operability or other functions, priority is given to the product specification itself. In such instances, the instruction manual may not entirely match all the functions of the actual product. Therefore, the actual product and packaging, as well as the name and illustration, may differ from the manual.

# SPECIFICATIONS, TECHNICAL DRAWINGS & INSTALLATION

## SPECIFICATIONS

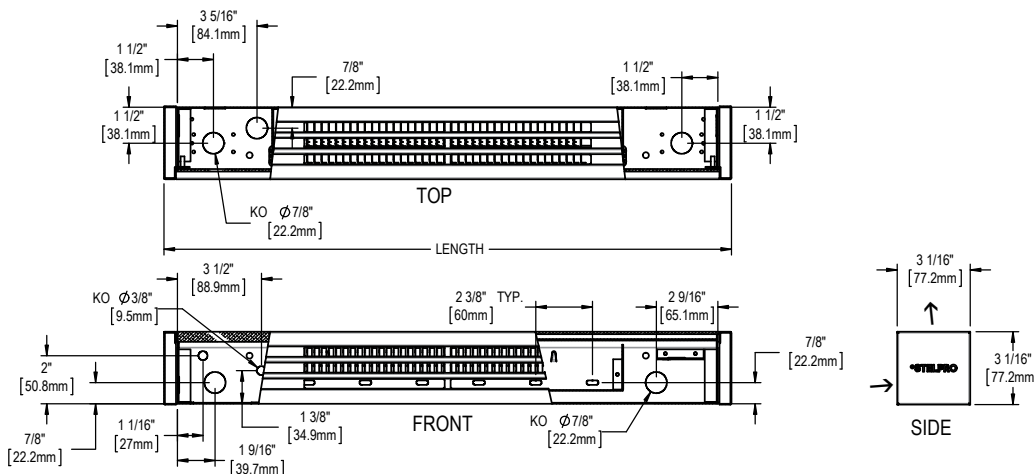
COMERCIAL USE		RESIDENTIAL USE		VOLTAGE	LENGHT		WEIGHT	
DENSITY 150 W PER LINEAR FOOT		DENSITY 100 W PER LINEAR FOOT			VOLTS	MM	IN	KG
CODE	WATTS	CODE	WATTS					
AALUX20603x	300	–	–	X	600	23 5/8	2.4	5.2
AALUX20904x	450	AALUX20903x	300	X	900	35 7/16	3.4	7.4
AALUX21206x	600	AALUX21204x	400	X	1200	47 1/4	5.0	11.1
AALUX21507x	750	AALUX21505x	500	X	1500	59 1/16	6.2	13.7
AALUX21809x	900	AALUX21806x	600	X	1800	70 7/8	7.4	16.3
AALUX22110x	1050	AALUX22107x	700	X	2100	82 11/16	8.5	18.8
AALUX22412x	1200	AALUX22408x	800	X	2400	94 1/2	9.9	21.7
AALUX22713x	1350	AALUX22709x	900	X	2700	106 5/16	9.9	21.7

Add W for white, SW for soft white or CA for anodized aluminum.

x = 1 (120 V) 2 (240 V) 3 (347 V) 5 (480 V) 6 (600 V) 7 (277 V) 8 (208 V)

Please consult our product catalog for other available options.

## TECHNICAL DRAWINGS



## INSTALLATION

**CAUTION – HIGH TEMPERATURE, KEEP ELECTRICAL CORDS, DRAPES, AND OTHER FURNISHINGS AWAY FROM UNIT.**

Keep drapes at a distance of at least 6 inches (15 cm) from unit.

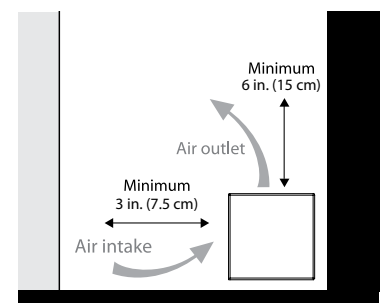
Do not to install unit against combustible low-density cellulose fiberboard surfaces or below an electrical convenience receptacle.

To reduce the risk of fire, do not store or use gasoline or other flammable vapors and liquids in the vicinity of the unit. Do not install unit in contact with combustible materials.

**N.B. Cut off power supply at circuit breaker/fuse before proceeding with the installation.**

1. Remove the cover.
2. Screw the heater onto the wall (using the existing holes in the casing).
3. Make the required connections (see paragraph below).
4. Replace the cover.

**N.B. The illustration indicates the airflow generated by the baseboard heater. This air corridor must remain clear in order to allow the unit to operate efficiently; to ensure good air circulation and to avoid a fire hazard. Do not install the baseboard below an electrical outlet.**

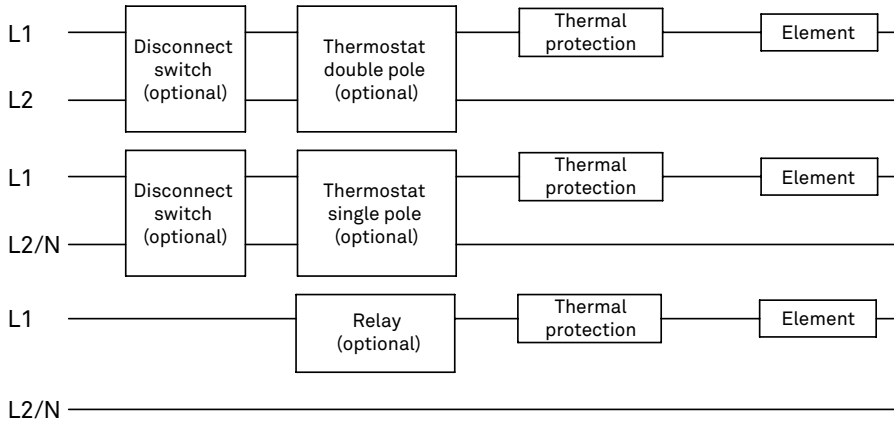


# OPERATION, MAINTENANCE & TROUBLESHOOTING

## ELECTRICAL WIRING

- This unit must be connected to an electrical power source according to the voltage of the unit chosen.
- To ground the heater, you must connect the green wire coming from the circuit breaker panel to the green screw located inside the junction box of the heater.

## ELECTRICAL DIAGRAM



## OPERATION

**WARNING :** the unit must be properly installed before being used.

## MAINTENANCE



**N.B. The unit should be cleaned at least once a year. All other servicing is to be done by qualified service personnel. This unit must be cleaned regularly in order for the warranty to be valid. Make sure the power has been turned off at the circuit breaker panel and that the heating element has cooled before cleaning the unit or before removing grill for cleaning and lubrication. WARNING: if the unit is equipped with a circuit breaker, the power supply at the main breaker must be turned off before removing the cover of the junction box or to open or close the unit's circuit breaker.**

Use a soft rag for dusting. When cleaning, use only a damp rag and non-abrasive dish soap. Do not use abrasive or chemical cleaners because they may damage the finish. If the unit is used in a very dusty location, use a vacuum brush to remove dust and other foreign objects from the grilles. If needed, vacuum out the dust inside the unit. Note that cigarette smoke could yellow the discharge grille, the best way to prevent that is to clean the unit on a regular basis.

Don't forget to replace front grille (with the screws that were removed) if it was removed for cleaning.

Restore the power when cleaning or lubrication work is complete.

**Do not use cleaning products identified with these symbols:**



**N.B. Note that there is electrical current linked to the unit even if the thermostat is set to off. This means that there is a risk of electric shock as long as the unit is energized.**

## TROUBLESHOOTING

PROBLEM	DEFECTIVE PART OR PART TO CHECK
The unit does not work	<ul style="list-style-type: none"> <li>• Open circuit breaker or fuse</li> <li>• Thermal protection has been activated</li> <li>• Faulty connections</li> </ul>
The unit becomes extremely hot	<ul style="list-style-type: none"> <li>• Unit cycles under control of the thermal protection or the latter is defective</li> <li>• Blocked air vents</li> </ul>
The unit cycles under control of the thermal protection (overheat indicator)	<ul style="list-style-type: none"> <li>• Blocked air vents</li> </ul>
The breaker trip when the heater is turned on	<ul style="list-style-type: none"> <li>• Faulty connections</li> <li>• Voltage lower than that written on the nameplate</li> </ul>

N.B.: If you do not solve the problem after checking these points, cut off the power supply at the main electrical panel and contact our customer service (see the "Limited warranty" section to obtain the phone numbers).

# REPLACEMENT COMPONENT LIST

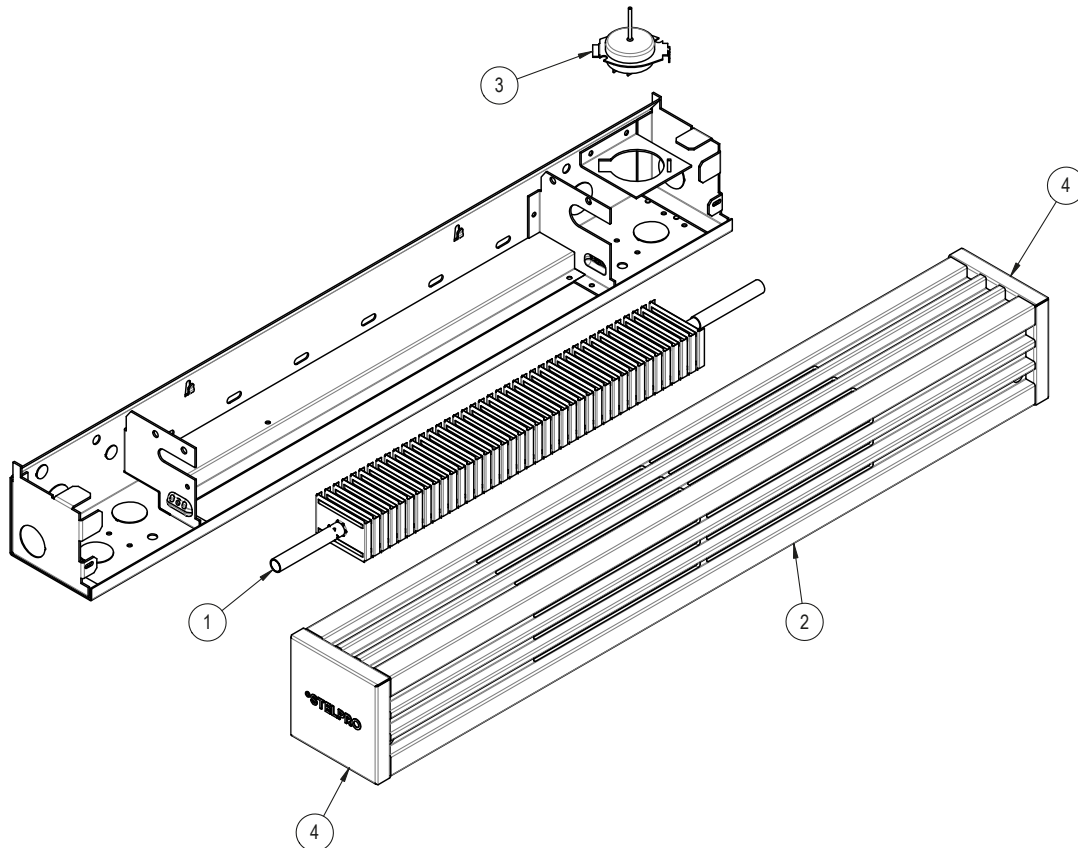
## REPLACEMENT COMPONENT LIST

REF. #	PART #	DESCRIPTION
3	PROT-YYY	LINEAR THERMAL PROTECTION (AUTO.)
1	EA0300-06-***	ELEMENT 300W (600 mm)
1	EA0450-09-***	ELEMENT 450W (900 mm)
1	EA0600-12-***	ELEMENT 600W (1200 mm)
1	EA0750-15-***	ELEMENT 750W (1500 mm)
1	EA0900-18-***	ELEMENT 900W (1800 mm)
1	EA1050-21-***	ELEMENT 1050W (2100 mm)
1	EA1200-24-***	ELEMENT 1200W (2400 mm)
1	EA1350-27-***	ELEMENT 1350W (2700 mm)
1	EA0300-09-***	ELEMENT 300W (900 mm)
1	EA0400-12-***	ELEMENT 400W (1200 mm)
1	EA0500-15-***	ELEMENT 500W (1500 mm)
1	EA0600-18-***	ELEMENT 600W (1800 mm)
1	EA0700-21-***	ELEMENT 700W (2100 mm)
1	EA0800-24-***	ELEMENT 800W (2400 mm)
1	EA0900-27-***	ELEMENT 900W (2700 mm)

\*\*\* Add 1 (120 V)    2 (240 V)    3 (347 V)    5 (480 V)  
 6 (600 V)    7 (277 V)    8 (208 V)

yyy = 084 (600 mm)    085 (900 mm)    086 (1200 mm)    087 (1500 mm)  
 088 (1800 mm)    88 (2100 mm)    090 (2400 mm)    083 (2700 mm)

REF. #	PART #	DESCRIPTION
2	M-ALUX20611A	ALMOND GRILLE COVER (300 W)
2	M-ALUX20611W	WHITE GRILLE COVER (300 W)
2	M-ALUX20611CA	ANODIZED GRILLE COVER (300 W)
2	M-ALUX20911A	ALMOND GRILLE COVER (450 W)
2	M-ALUX20911W	WHITE GRILLE COVER (450 W)
2	M-ALUX20911CA	ANODIZED GRILLE COVER (450 W)
2	M-ALUX21211A	ALMOND GRILLE COVER (600 W)
2	M-ALUX21211W	WHITE GRILLE COVER (600 W)
2	M-ALUX21211CA	ANODIZED GRILLE COVER (600 W)
2	M-ALUX21511A	ALMOND GRILLE COVER (750 W)
2	M-ALUX21511W	WHITE GRILLE COVER (750 W)
2	M-ALUX21511CA	ANODIZED GRILLE COVER (750 W)
2	M-ALUX21811A	ALMOND GRILLE COVER (900 W)
2	M-ALUX21811W	WHITE GRILLE COVER (900 W)
2	M-ALUX21811CA	ANODIZED GRILLE COVER (900 W)
2	M-ALUX22111A	ALMOND GRILLE COVER (1050 W)
2	M-ALUX22111W	WHITE GRILLE COVER (1050 W)
2	M-ALUX22111CA	ANODIZED GRILLE COVER (1050 W)
2	M-ALUX22411A	ALMOND GRILLE COVER (1200 W)
2	M-ALUX22411W	WHITE GRILLE COVER (1200 W)
2	M-ALUX22411CA	ANODIZED GRILLE COVER (1200 W)
2	M-ALUX22711A	ALMOND GRILLE COVER (300 W)
2	M-ALUX22711W	WHITE GRILLE COVER (1200 W)
2	M-ALUX22711CA	ANODIZED GRILLE COVER (1200 W)
3	PROT-084	PROTECTION CUT OUT 300 W
3	PROT-085	PROTECTION CUT OUT 450 W
3	PROT-086	PROTECTION CUT OUT 600 W
3	PROT-087	PROTECTION CUT OUT 750 W
3	PROT-088	PROTECTION CUT OUT 900 W
3	PROT-088	PROTECTION CUT OUT 1050 W
3	PROT-090	PROTECTION CUT OUT 1200 W
3	PROT-083	PROTECTION CUT OUT 1350 W
4	M-ALUX208A	ALMOND END CAP
4	M-ALUX208W	WHITE END CAP
4	M-ALUX208CA	ANODIZED END CAP



# LIMITED WARRANTY

This limited warranty is offered by Stelpro Design inc. ("Stelpro") and applies to the following product made by Stelpro: model AALUX2. **Please read this limited warranty carefully. Subject to the terms of this warranty**, Stelpro warrants its products and their components against defects in workmanship and/or materials for the following periods from the date of purchase: **3 years**. This warranty applies only to the **original purchaser**; it is non-transferable and cannot be extended.

## CLAIM PROCEDURE

If at any time during the warranty period the unit becomes defective, you must cut off the power supply at the main electrical panel and contact 1) your installer or distributor, 2) your service center or 3) Stelpro's customer service department. In all cases, you must have a **copy of the invoice** and provide the **information written on the product nameplate**. Stelpro reserves the right to examine or to ask one of its representatives to examine the product itself or any part of it before honoring the warranty. Stelpro reserves the right to replace the entire unit, refund its purchase price or repair a defective part. Please note that repairs made within the warranty period must be authorized in advance in writing by Stelpro and carried out by persons authorized by Stelpro.

Before returning a product to Stelpro, you must have a Stelpro authorization number (RMA). To obtain it, call the customer service department at: **1-800-363-3414** (electricians and distributors - French), **1-800-343-1022** (electricians and distributors - English), or **1-866-766-6020** (consumers). The authorization number must be clearly written on the parcel or it will be refused.

## CONDITIONS, EXCLUSIONS AND DISCLAIMER OF LIABILITY

This warranty is exclusive and in lieu of all other representations and warranties (except of title), expressed or implied, and Stelpro expressly disclaims and excludes any implied warranty of merchantability or implied warranty of fitness for a particular purpose.

Stelpro's liability with respect to products is limited as provided above. Stelpro shall not be subject to any other obligations or liabilities whatsoever, whether based on contract, tort or other theories of law, with respect to goods or services furnished by it, or any undertakings, acts or omissions relating thereto. Without limiting the generality of the foregoing, Stelpro expressly disclaims any liability for property or personal injury damages, penalties, special or punitive damages, damages for lost profits, loss of use of equipment, cost of capital, cost of substitute products, facilities or services, shut-downs, slowdowns, or for other types of economic loss or for claims of a dealer's customers or any third party for such damages. Stelpro specifically disclaims all consequential, incidental and contingent damages whatsoever.

This warranty does not cover any damages or failures resulting from: 1) a faulty installation or improper storage; 2) an abusive or abnormal use, lack of maintenance, improper maintenance (other than that prescribed by Stelpro) or a use other than that for which the unit was designed; 3) a natural disaster or an event out of Stelpro's control, including, but not limited to, hurricanes, tornadoes, earthquakes, terrorist attacks, wars, overvoltage, flooding, water damages, etc. This warranty does not cover any accidental or intentional losses or damages nor does it cover damages caused by negligence of the user or owner of the product. Moreover, it does not cover the cost of disconnection, transport, and installation.

The warranty is limited to the repair or the replacement of the unit or the refund of its purchase price, **at the discretion of Stelpro**. Any parts replaced or repaired within the warranty period with the written authorization of Stelpro will be warranted for the remainder of the original warranty period. This warranty will be considered null and void and Stelpro will have the right to refuse any claims if **products have been altered** without the written authorization of Stelpro and if the nameplate numbers have been removed or modified. This warranty does not cover scratches, dents, corrosion or discoloration caused by excessive heat, chemical cleaning products and abrasive agents. It does not cover any damage that occurred during the shipping.

Some states and provinces do not allow the exclusion or limitation of incidental or consequential damages and some of them do not allow limitations on how long an implied warranty lasts, so these exclusions or limitations may not apply to you. This warranty gives you specific legal rights and you may have other rights which vary from state to state or from province to province.