

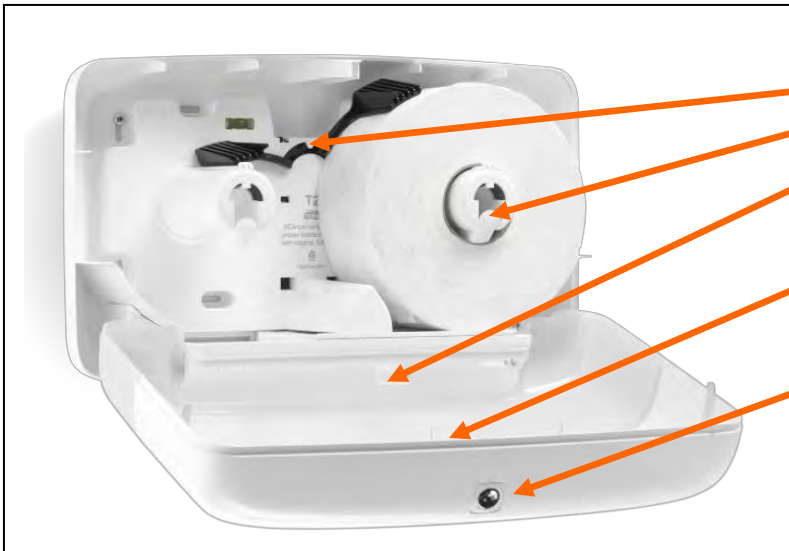


**5555200 TORK® TWIN MINI JUMBO TISSUE DISPENSER, WHITE**



**5555290 TORK® TWIN MINI JUMBO TISSUE DISPENSER, BLACK**

## Dispenser Part List



PART DESCRIPTION	PART NUMBER
Left/Right roll arm	Not replaceable
Spindle	Not replaceable
Paper access door	Not replaceable
Hood (White)	2255560
Hood (Black) (does not include new lock)	2255570
200260 Metal Tork Key	200260KEY
Tork Elevation Lock (White)	205502
Tork Elevation Lock (Black)	205503

## Part Description with Replacement Instructions

Parts with “Spare Part Number” are available for order as of the revision date on the manual. Contact your SCA Sales Representative or SCA Customer Service Representative to order these parts.

### Replacing the Elevation Lock: 205502 (White); 205503 (Black)



1

2

3

4

1. Use a small slot-head screwdriver to press the snap fit towards the lock housing. Push the lock downwards at the same time.
2. Repeat the procedure on the other side of the lock.
3. Remove the old lock by pulling it through the hole in the cover.
4. Insert the new lock. Push until a click sound is heard.

## Replacing the Hood (2255560 White; 2255570 Black)



1. Using a Phillips head screwdriver, remove the two screws holding the door to the dispenser housing.
2. Follow steps above to remove Elevation lock from cover.
3. Follow steps above to insert Elevation lock into replacement cover.
4. Fit cover on dispenser housing, replace and tighten screws with Phillips head screwdriver to secure cover.

## Troubleshooting

Problem: Any paper-related problem

- Take note of the date code on the outside of the case of refill product. Contact your SCA Customer Service Representative for complaint resolution.

Problem: Any dispenser-related problem

- Locate the Tork label inside the dispenser. Note the Model Number and the date code. Contact your SCA Customer Service Representative for complaint resolution.

This is a TorkSelect product. The TorkSelect label is affixed to the inside, right side of the dispenser. The system identifier (to match product refills) and the dispenser item number are printed on the bottom of this label. SCA only guarantees dispenser performance if used with genuine Tork refills.

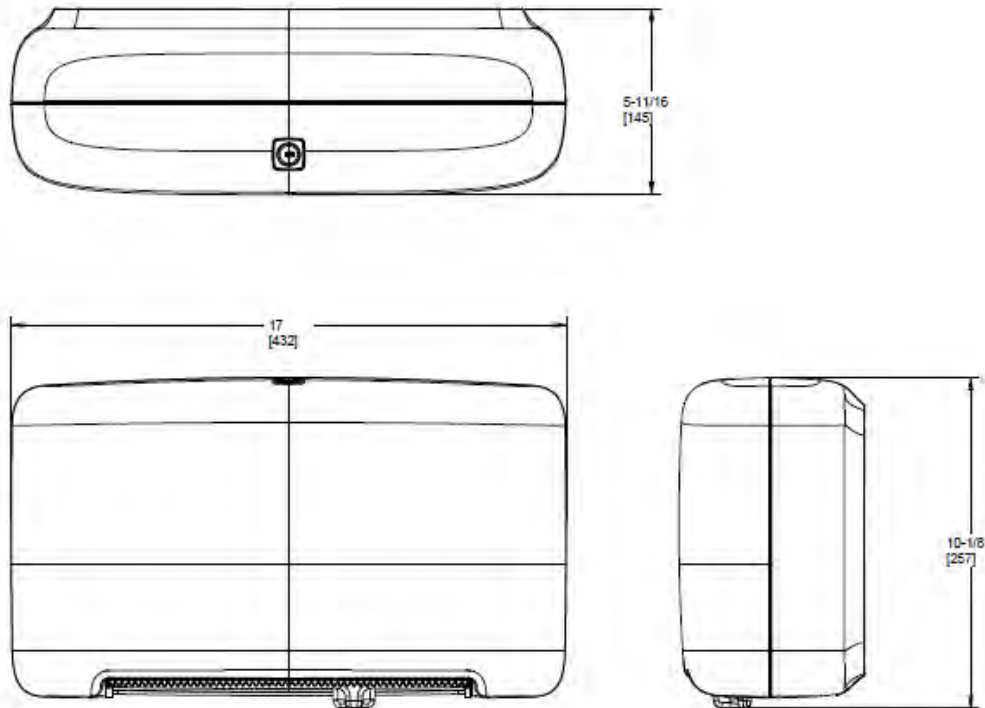
  


Tork Quality Assurance Hotline:  
**866-SCA-TORK, Option 6**  
866-722-8675, Option 6  
[www.torkusa.com](http://www.torkusa.com)

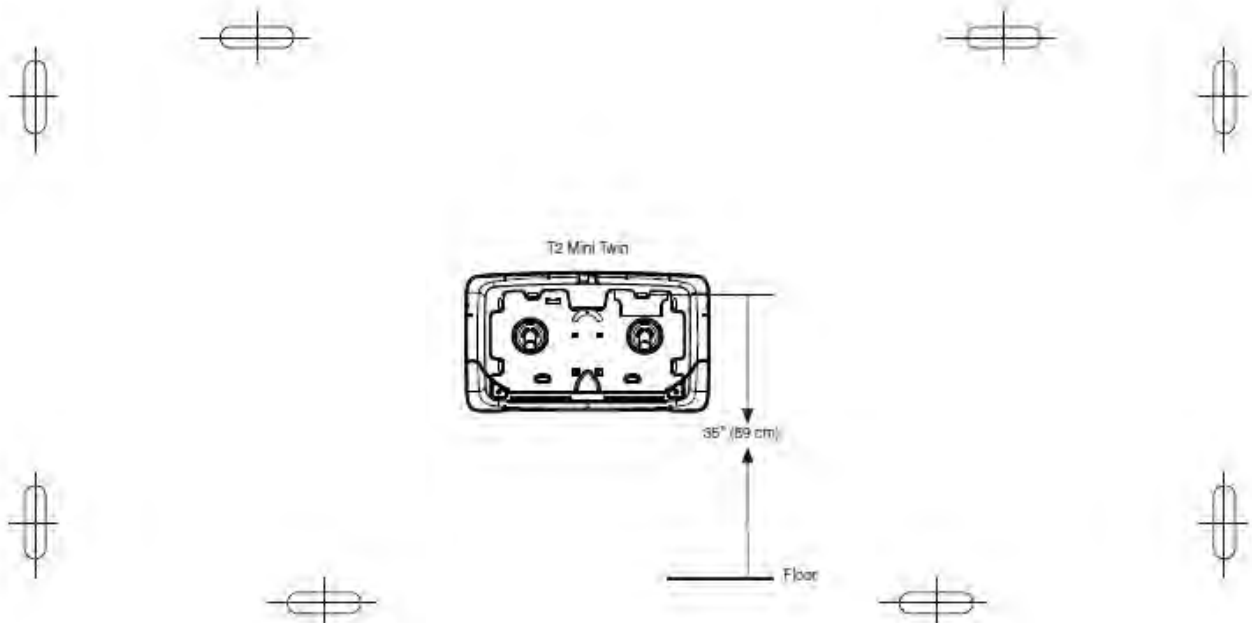
This **TorkSelect** dispenser is the property of SCA Tissue North America and is loaned for dispensing only **TorkSelect** refills. SCA prohibits the sale, modification, filling or use of this dispenser with non-**TorkSelect** products, and will enforce its rights under applicable laws or agreements.

System:            Model No.:            Date Code:

## Mounting Instructions



Recommended mounting height for standard access is 35" above finished floor to upper drilling hole location. Mount dispenser securely using four attachment points - two upper and two lower. Full size drilling hole template is located inside dispenser carton.



## Mounting Instructions – ADAAG Guidelines

**604.7 Dispensers.** Toilet paper dispensers shall comply with 309.4 and shall be 7 inches (180 mm) minimum and 9 inches (230 mm) maximum in front of the water closet measured to the centerline of the dispenser. The outlet of the dispenser shall be 15 inches (380 mm) minimum and 48 inches (1220 mm) maximum above the finish floor and shall not be located behind grab bars. Dispensers shall not be of a type that controls delivery or that does not allow continuous paper flow.

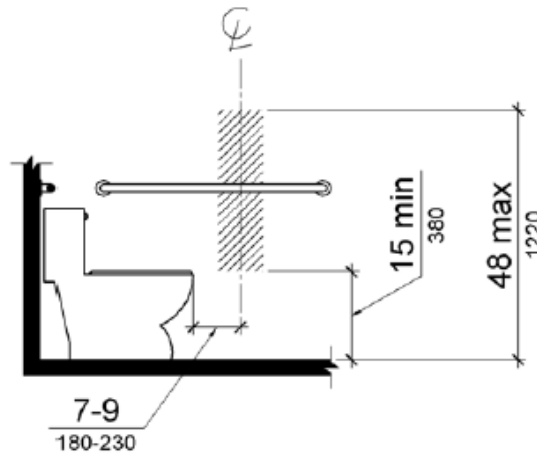


Figure 604.7 Dispenser Outlet Location

**Advisory 604.7 Dispensers.** If toilet paper dispensers are installed above the side wall grab bar, the outlet of the toilet paper dispenser must be 48 inches (1220 mm) maximum above the finish floor and the top of the gripping surface of the grab bar must be 33 inches (840 mm) minimum and 36 inches (915 mm) maximum above the finish floor.

**609.3 Spacing.** The space between the wall and the grab bar shall be 1 1/2 inches (38 mm). The space between the grab bar and projecting objects below and at the ends shall be 1 1/2 inches (38 mm) minimum. The space between the grab bar and projecting objects above shall be 12 inches (305 mm) minimum.

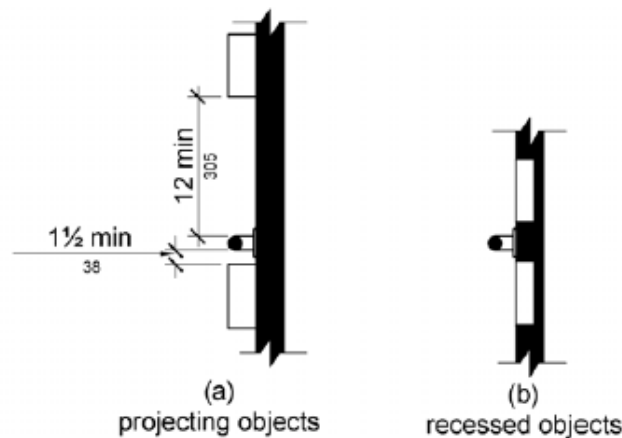


Figure 609.3 Spacing of Grab Bars

**609.4 Position of Grab Bars.** Grab bars shall be installed in a horizontal position, 33 inches (840 mm) minimum and 36 inches (915 mm) maximum above the finish floor measured to the top of the gripping surface, except that at water closets for *children's use* complying with 604.9, grab bars shall be installed in a horizontal position 18 inches (455 mm) minimum and 27 inches (685 mm) maximum above the finish floor measured to the top of the gripping surface.

**604.9.6 Dispensers.** Toilet paper dispensers shall comply with 309.4 and shall be 7 inches (180 mm) minimum and 9 inches (230 mm) maximum in front of the water closet measured to the centerline of the dispenser. The outlet of the dispenser shall be 14 inches (355 mm) minimum and 19 inches (485 mm) maximum above the finish floor. There shall be a clearance of 1 1/2 inches (38 mm) minimum below the grab bar. Dispensers shall not be of a type that controls delivery or that does not allow continuous paper flow.



**5555200 and 5555290 meet ADA technical requirements for operation and pull force**

**Compliance with ADA mounting guidelines is the responsibility of the installer and building owner. Local and state requirements may differ from ADAAG guidelines.**

## **Additional Technical Data Sheets:**

Tork Elevation T2 Mini ADA Mounting Height

Tork Dispenser Bath Tissue Mini Twin Jumbo Roll – Mounting and Filling Instructions

5555290                      Specification Sheet

## Replacing the Hood (2255560 White; 2255570 Black)



1. Using a Phillips head screwdriver, remove the two screws holding the door to the dispenser housing.
2. Follow steps above to remove Elevation lock from cover.
3. Follow steps above to insert Elevation lock into replacement cover.
4. Fit cover on dispenser housing, replace and tighten screws with Phillips head screwdriver to secure cover.

## Troubleshooting

Problem: Any paper-related problem

- Take note of the date code on the outside of the case of refill product. Contact your SCA Customer Service Representative for complaint resolution.

Problem: Any dispenser-related problem

- Locate the Tork label inside the dispenser. Note the Model Number and the date code. Contact your SCA Customer Service Representative for complaint resolution.

This is a TorkSelect product. The TorkSelect label is affixed to the inside, right side of the dispenser. The system identifier (to match product refills) and the dispenser item number are printed on the bottom of this label. SCA only guarantees dispenser performance if used with genuine Tork refills.

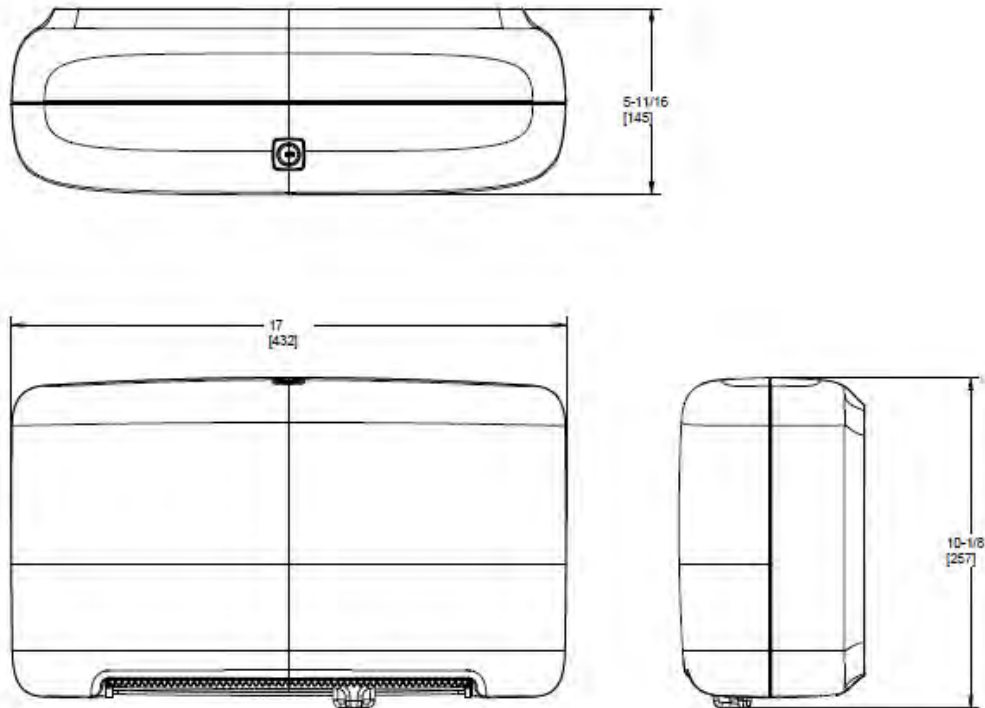
  


Tork Quality Assurance Hotline:  
**866-SCA-TORK, Option 6**  
866-722-8675, Option 6  
[www.torkusa.com](http://www.torkusa.com)

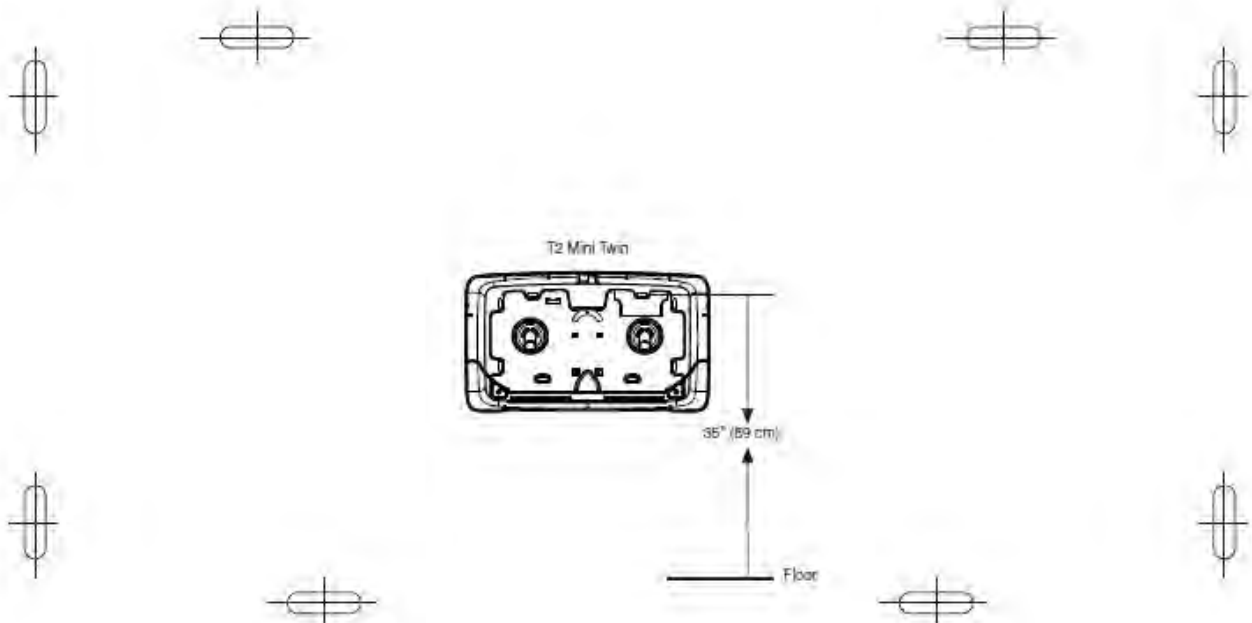
This **TorkSelect** dispenser is the property of SCA Tissue North America and is loaned for dispensing only **TorkSelect** refills. SCA prohibits the sale, modification, filling or use of this dispenser with non-**TorkSelect** products, and will enforce its rights under applicable laws or agreements.

System:            Model No.:            Date Code:

## Mounting Instructions



Recommended mounting height for standard access is 35" above finished floor to upper drilling hole location. Mount dispenser securely using four attachment points - two upper and two lower. Full size drilling hole template is located inside dispenser carton.





## Mounting Instructions – ADAAG Guidelines

**604.7 Dispensers.** Toilet paper dispensers shall comply with 309.4 and shall be 7 inches (180 mm) minimum and 9 inches (230 mm) maximum in front of the water closet measured to the centerline of the dispenser. The outlet of the dispenser shall be 15 inches (380 mm) minimum and 48 inches (1220 mm) maximum above the finish floor and shall not be located behind grab bars. Dispensers shall not be of a type that controls delivery or that does not allow continuous paper flow.

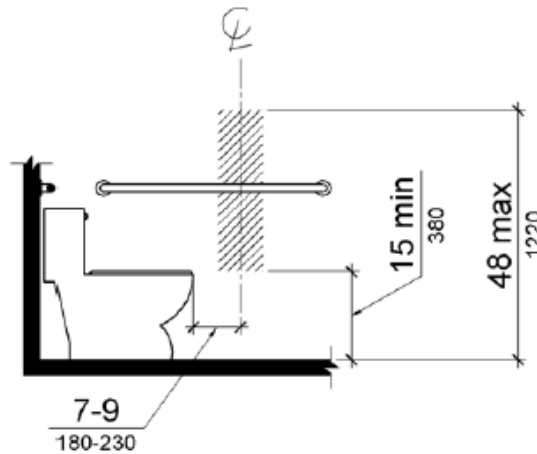


Figure 604.7 Dispenser Outlet Location

**Advisory 604.7 Dispensers.** If toilet paper dispensers are installed above the side wall grab bar, the outlet of the toilet paper dispenser must be 48 inches (1220 mm) maximum above the finish floor and the top of the gripping surface of the grab bar must be 33 inches (840 mm) minimum and 36 inches (915 mm) maximum above the finish floor.

**609.3 Spacing.** The space between the wall and the grab bar shall be 1 1/2 inches (38 mm). The space between the grab bar and projecting objects below and at the ends shall be 1 1/2 inches (38 mm) minimum. The space between the grab bar and projecting objects above shall be 12 inches (305 mm) minimum.

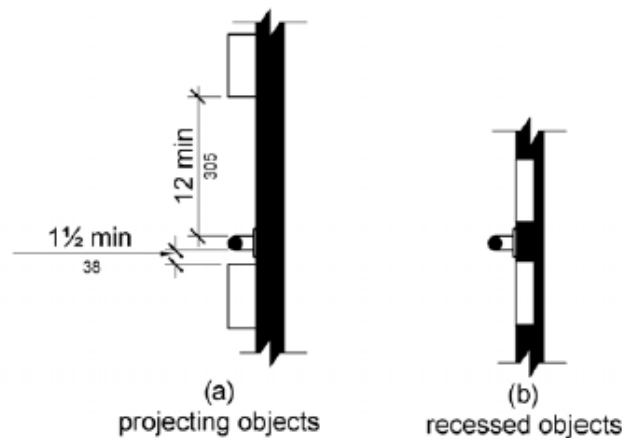


Figure 609.3 Spacing of Grab Bars

**609.4 Position of Grab Bars.** Grab bars shall be installed in a horizontal position, 33 inches (840 mm) minimum and 36 inches (915 mm) maximum above the finish floor measured to the top of the gripping surface, except that at water closets for *children's use* complying with 604.9, grab bars shall be installed in a horizontal position 18 inches (455 mm) minimum and 27 inches (685 mm) maximum above the finish floor measured to the top of the gripping surface.

**604.9.6 Dispensers.** Toilet paper dispensers shall comply with 309.4 and shall be 7 inches (180 mm) minimum and 9 inches (230 mm) maximum in front of the water closet measured to the centerline of the dispenser. The outlet of the dispenser shall be 14 inches (355 mm) minimum and 19 inches (485 mm) maximum above the finish floor. There shall be a clearance of 1 1/2 inches (38 mm) minimum below the grab bar. Dispensers shall not be of a type that controls delivery or that does not allow continuous paper flow.



**5555200 and 5555290 meet ADA technical requirements for operation and pull force**

**Compliance with ADA mounting guidelines is the responsibility of the installer and building owner. Local and state requirements may differ from ADAAG guidelines.**

## **Additional Technical Data Sheets:**

Tork Elevation T2 Mini ADA Mounting Height

Tork Dispenser Bath Tissue Mini Twin Jumbo Roll – Mounting and Filling Instructions

5555290                  Specification Sheet

## Replacing the Hood (2255560 White; 2255570 Black)



1. Using a Phillips head screwdriver, remove the two screws holding the door to the dispenser housing.
2. Follow steps above to remove Elevation lock from cover.
3. Follow steps above to insert Elevation lock into replacement cover.
4. Fit cover on dispenser housing, replace and tighten screws with Phillips head screwdriver to secure cover.

## Troubleshooting

Problem: Any paper-related problem

- Take note of the date code on the outside of the case of refill product. Contact your SCA Customer Service Representative for complaint resolution.

Problem: Any dispenser-related problem

- Locate the Tork label inside the dispenser. Note the Model Number and the date code. Contact your SCA Customer Service Representative for complaint resolution.

This is a TorkSelect product. The TorkSelect label is affixed to the inside, right side of the dispenser. The system identifier (to match product refills) and the dispenser item number are printed on the bottom of this label. SCA only guarantees dispenser performance if used with genuine Tork refills.

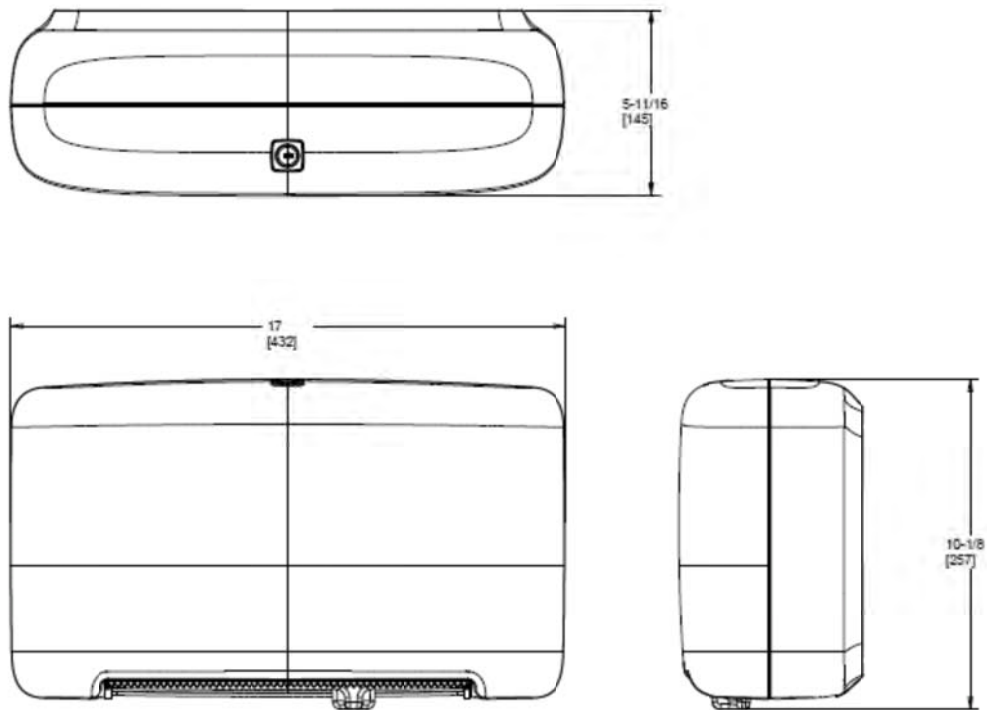
  


Tork Quality  
Assurance Hotline:  
**866-SCA-TORK, Option 6**  
866-722-8675, Option 6  
[www.torkusa.com](http://www.torkusa.com)

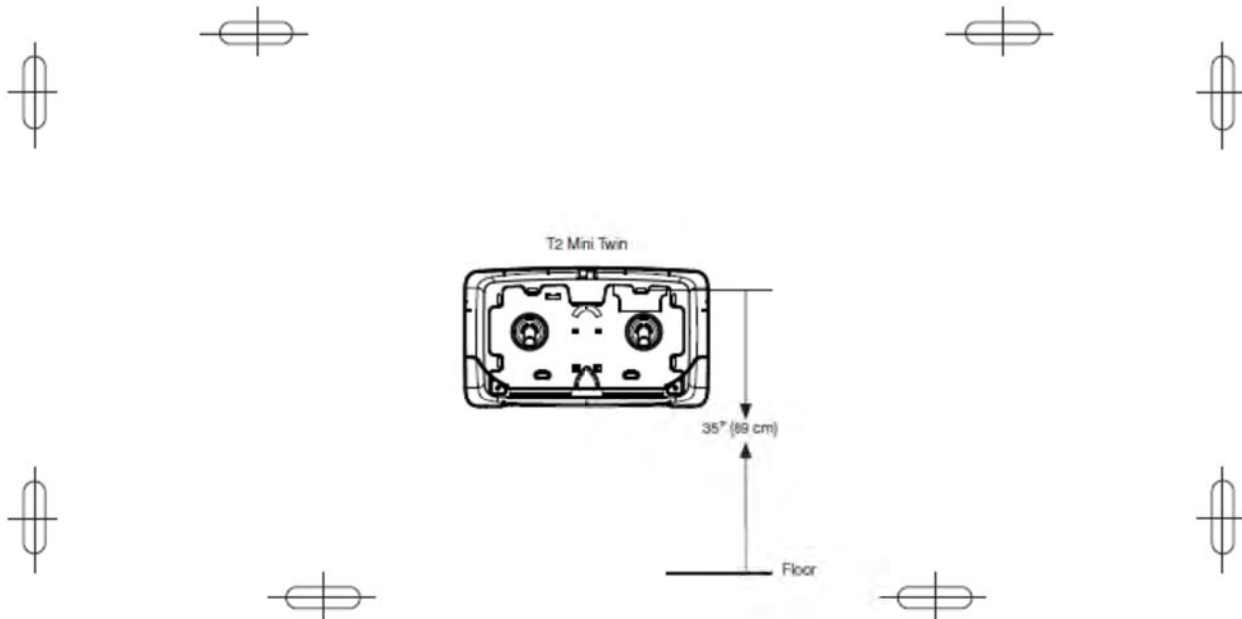
This **TorkSelect** dispenser is the property of SCA Tissue North America and is loaned for dispensing only **TorkSelect** refills. SCA prohibits the sale, modification, filling or use of this dispenser with non-**TorkSelect** products, and will enforce its rights under applicable laws or agreements.

System:            Model No.:            Date Code:

## Mounting Instructions



Recommended mounting height for standard access is 35" above finished floor to upper drilling hole location. Mount dispenser securely using four attachment points - two upper and two lower. Full size drilling hole template is located inside dispenser carton.



## Mounting Instructions – ADAAG Guidelines

**604.7 Dispensers.** Toilet paper dispensers shall comply with 309.4 and shall be 7 inches (180 mm) minimum and 9 inches (230 mm) maximum in front of the water closet measured to the centerline of the dispenser. The outlet of the dispenser shall be 15 inches (380 mm) minimum and 48 inches (1220 mm) maximum above the finish floor and shall not be located behind grab bars. Dispensers shall not be of a type that controls delivery or that does not allow continuous paper flow.

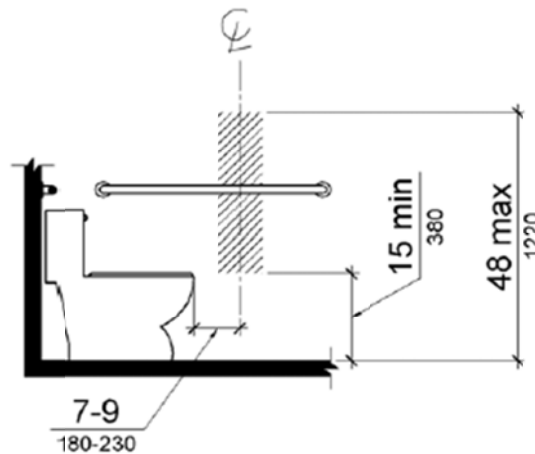


Figure 604.7 Dispenser Outlet Location

**Advisory 604.7 Dispensers.** If toilet paper dispensers are installed above the side wall grab bar, the outlet of the toilet paper dispenser must be 48 inches (1220 mm) maximum above the finish floor and the top of the gripping surface of the grab bar must be 33 inches (840 mm) minimum and 36 inches (915 mm) maximum above the finish floor.

**609.3 Spacing.** The space between the wall and the grab bar shall be 1 1/2 inches (38 mm). The space between the grab bar and projecting objects below and at the ends shall be 1 1/2 inches (38 mm) minimum. The space between the grab bar and projecting objects above shall be 12 inches (305 mm) minimum.

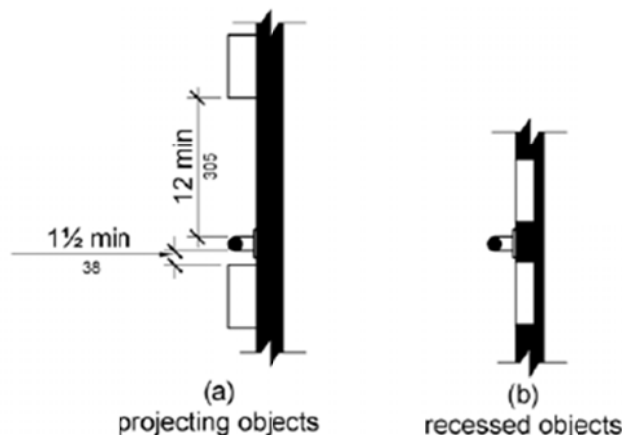


Figure 609.3 Spacing of Grab Bars

**609.4 Position of Grab Bars.** Grab bars shall be installed in a horizontal position, 33 inches (840 mm) minimum and 36 inches (915 mm) maximum above the finish floor measured to the top of the gripping surface, except that at water closets for *children's use* complying with 604.9, grab bars shall be installed in a horizontal position 18 inches (455 mm) minimum and 27 inches (685 mm) maximum above the finish floor measured to the top of the gripping surface.

**604.9.6 Dispensers.** Toilet paper dispensers shall comply with 309.4 and shall be 7 inches (180 mm) minimum and 9 inches (230 mm) maximum in front of the water closet measured to the centerline of the dispenser. The outlet of the dispenser shall be 14 inches (355 mm) minimum and 19 inches (485 mm) maximum above the finish floor. There shall be a clearance of 1 1/2 inches (38 mm) minimum below the grab bar. Dispensers shall not be of a type that controls delivery or that does not allow continuous paper flow.



**5555200 and 5555280 meet ADA technical requirements for operation and pull force**

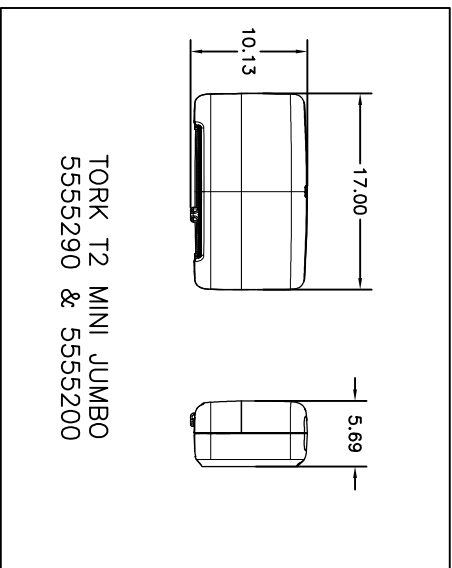
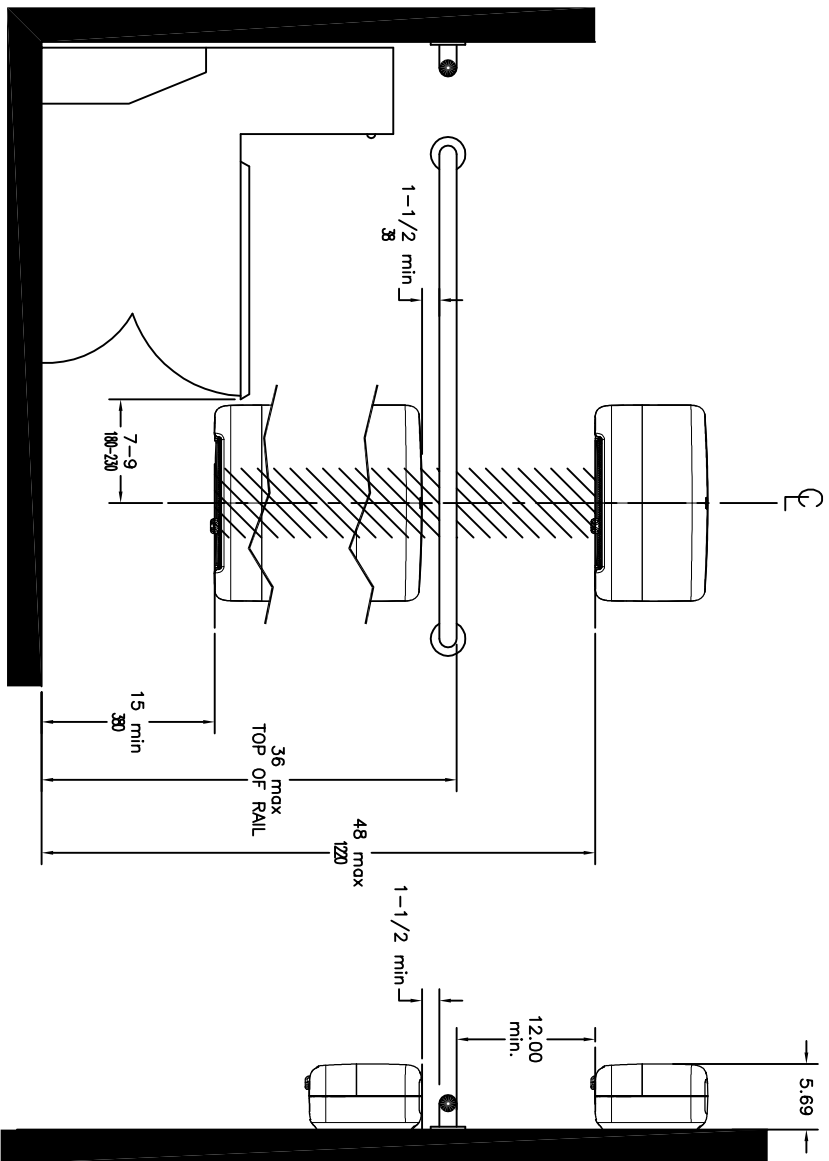
**Compliance with ADA mounting guidelines is the responsibility of the installer and building owner. Local and state requirements may differ from ADAAG guidelines.**

## **Additional Technical Data Sheets:**

Tork Elevation T2 Mini ADA Mounting Height

Tork Dispenser Bath Tissue Mini Twin Jumbo Roll – Mounting and Filling Instructions

5555290                      Specification Sheet



THIS DRAWING IS FURNISHED IN CONFIDENCE. ON THE EXPRESS UNDERSTANDING THAT NEITHER THE DRAWING NOR ANY REPRODUCTION THEREOF WILL BE DISCLOSED TO OTHERS OR USED FOR THE PURPOSE OF MANUFACTURE OR PRODUCTION OF THE ARTICLE OR PART SHOWN HEREON.



SCA Tissue North America, LLC  
1451 Melkshon Drive, Neenah, WI 54957-2400, (920) 725-7030

TITLE  
TORK ELEVATION T2 MINI ADA MTG HEIGHT

CHECKED BY: --- ENG. APPR: --- MFG. APPR: ---

SCALE: DD NOT DATE: \*\*/\*\*/\*\* PART NUMBER: \*\*

DRAWN: SEM UNITS: IN SHEET: 1 OF 1 SIZE: \*\*

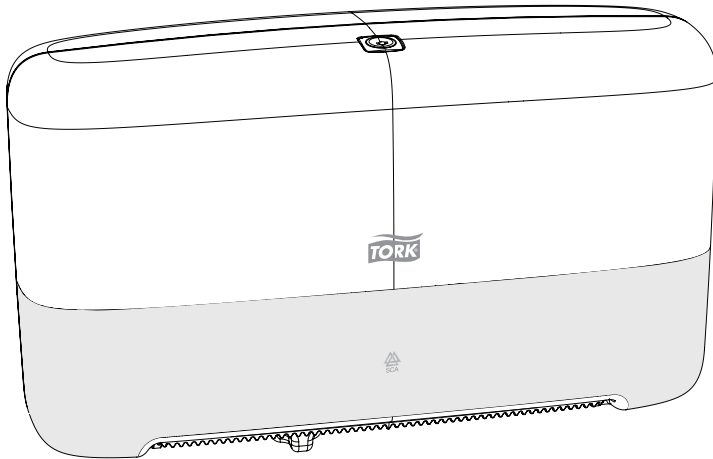


# Dispenser

## Bath Tissue

Mini Twin Jumbo Roll

**T2** System



**SCA TISSUE NORTH AMERICA**

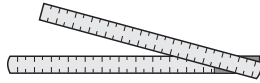
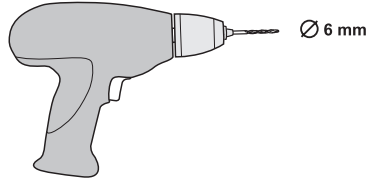
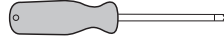
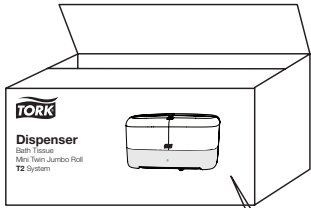
P.O. Box 2400, Neenah, Wisconsin 54957  
1-866-SCA-TORK (1-866-722-8675)  
www.torkusa.com

© 2011 SCA Tissue North America LLC. All Rights Reserved. Tork is a registered trademark of SCA Tissue North America LLC or its affiliates.

*c/o Life* Because our products make life easier for you and for millions of people around the world. Because our resources and the way we work are natural parts of the global lifecycle. And because we care.







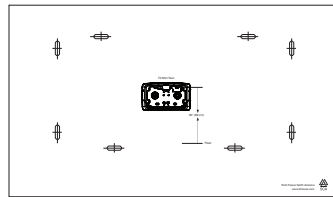
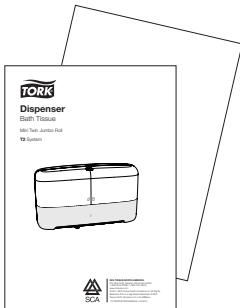
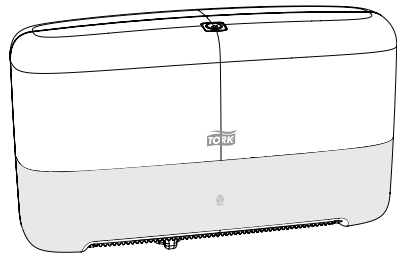
x1



x4

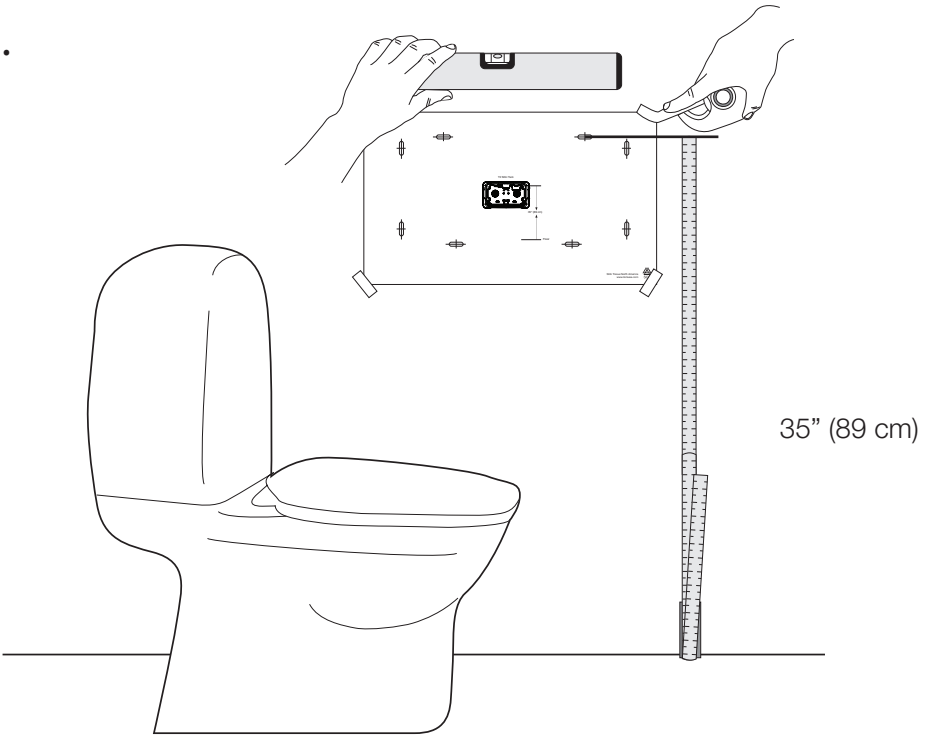


x4

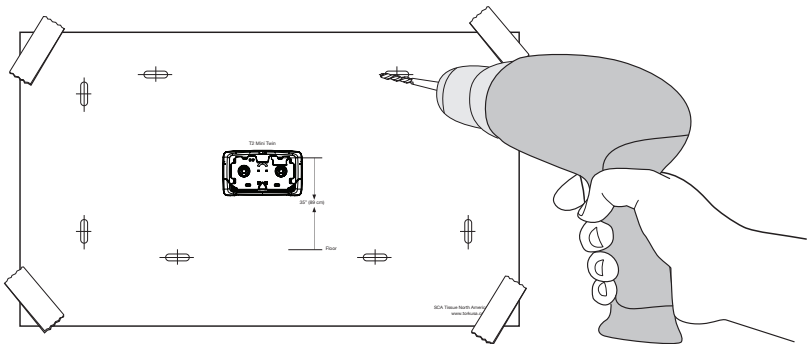


# Installation Instructions

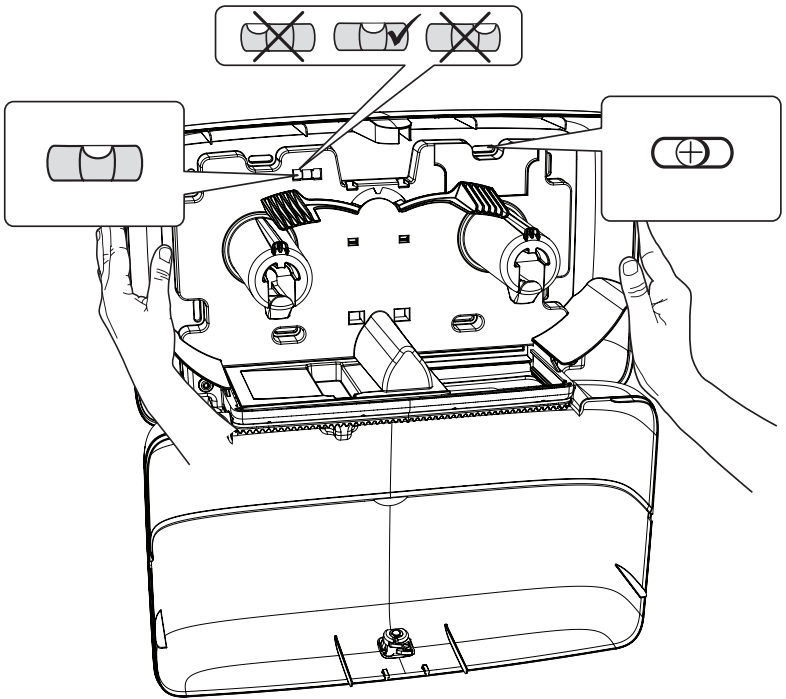
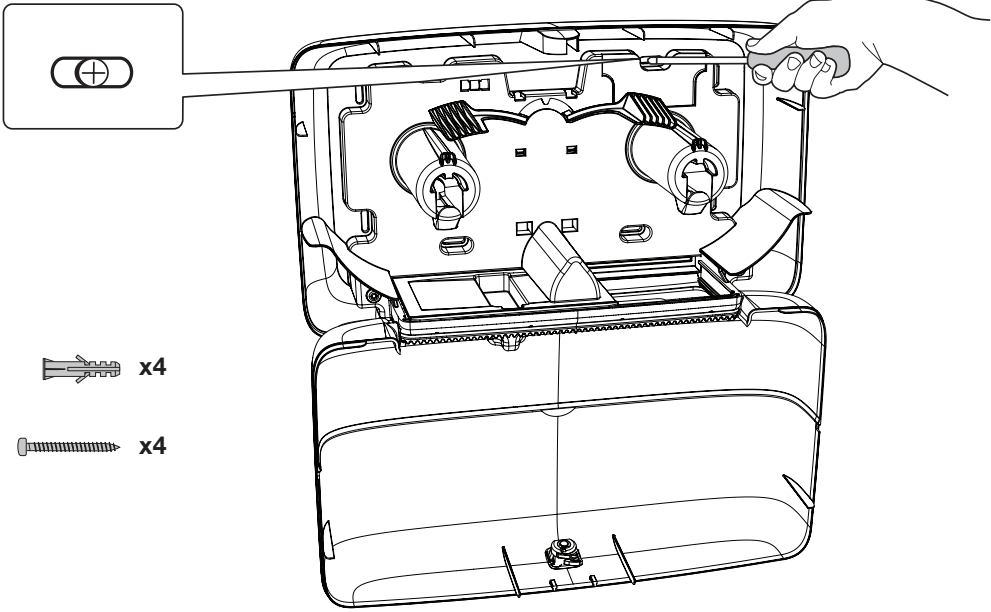
1.



2.

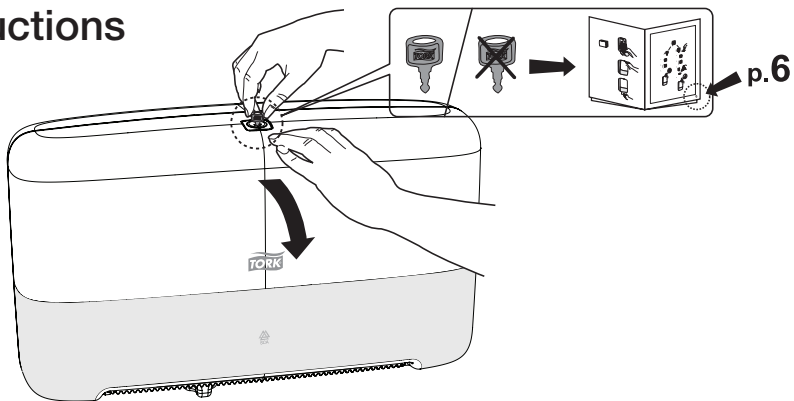


3.

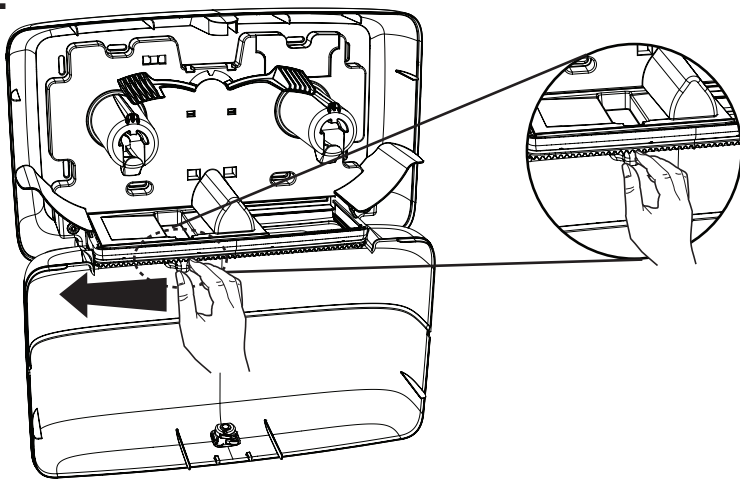


# Loading Instructions

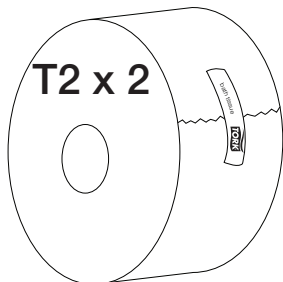
1.



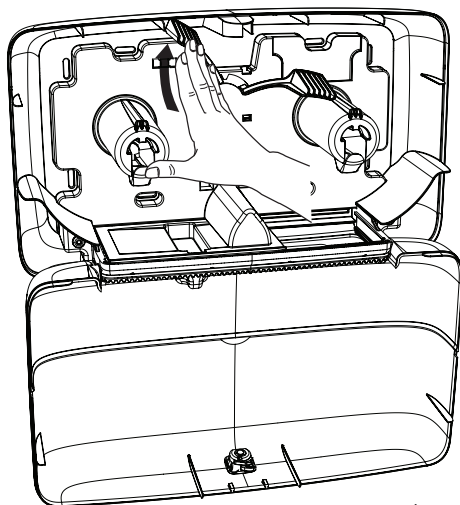
2.

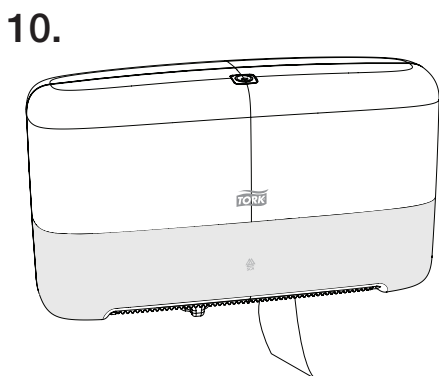
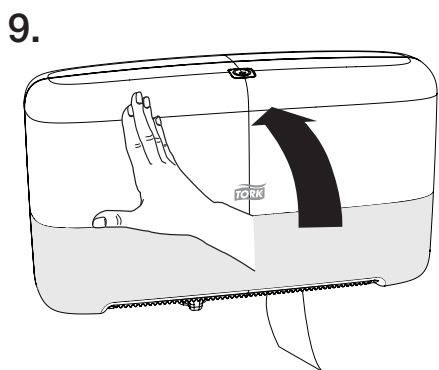
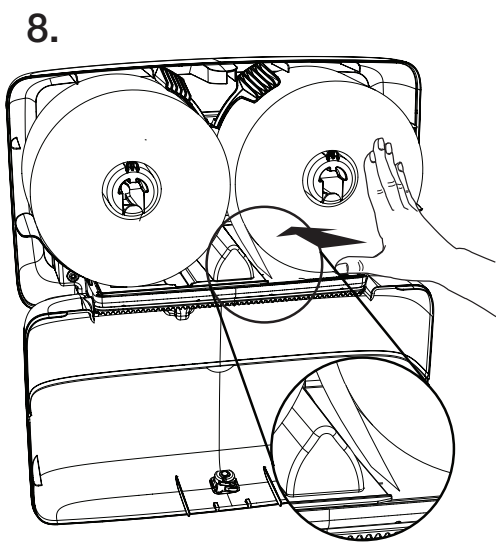
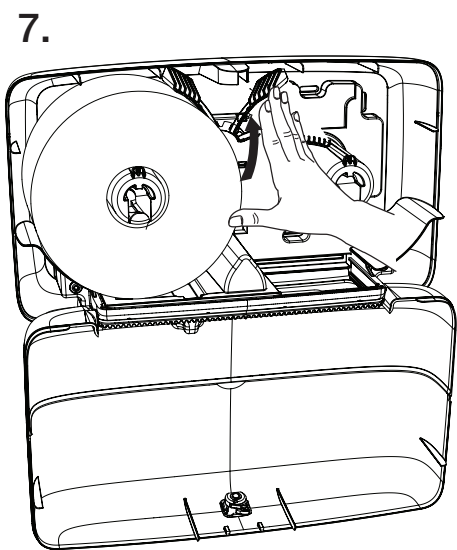
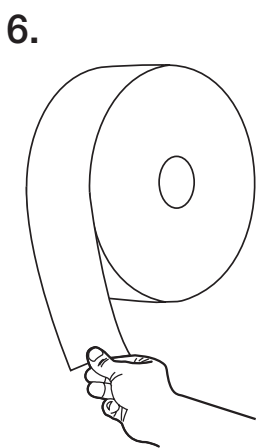
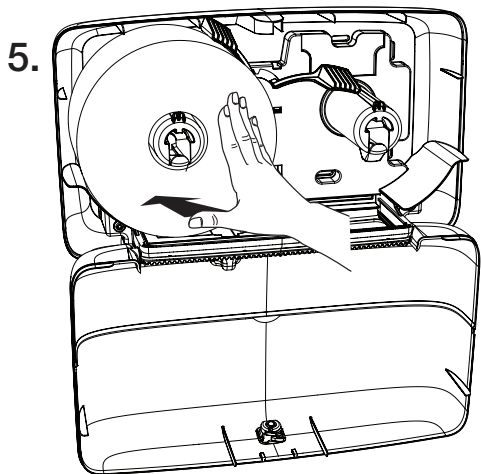


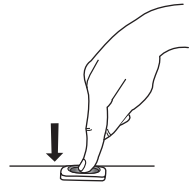
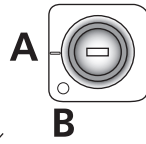
3.



4.







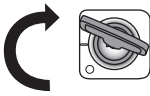
1.



1.



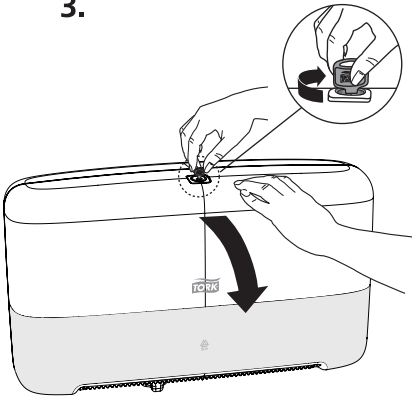
2.



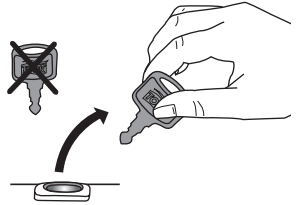
2.



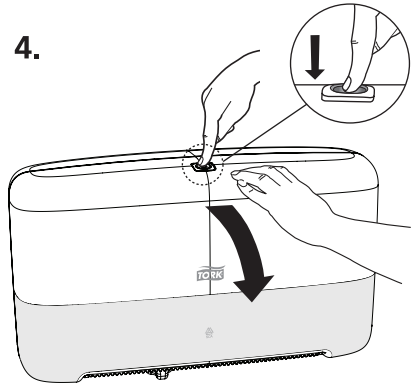
3.



3.



4.



**SCA TISSUE NORTH AMERICA**

P.O. Box 2400, Neenah, Wisconsin 54957  
1-866-SCA-TORK (1-866-722-8675)  
www.torkusa.com

© 2011 SCA Tissue North America LLC. All Rights Reserved. Tork is a registered trademark of SCA Tissue North America LLC or its affiliates.

*c/o Life* Because our products make life easier for you and for millions of people around the world. Because our resources and the way we work are natural parts of the global lifecycle. And because we care.





## 5555290 - Tork Elevation Bath Tissue Jumbo Roll Mini Twin Dispenser, Black

### Features and Benefits

Introducing a way to decrease labor and maintenance in high-traffic restrooms. Tork Elevation Bath Tissue Jumbo Roll Mini Twin Dispenser features two high-capacity rolls and a roll brake so people only take what they need. That means less waste, less mess, and less effort. The dispensers simplify and complement any environment, providing a clean, hygienic appearance. Our new design ensures easy and intuitive maintenance, refilling and use. Unique tear feature eliminates risk of cutting or scratching hands. Rolls are protected so there is less waste, improved hygiene and reduced pilferage. Durable plastic dispensers provide low maintenance and trouble free service.

Replaces 247550 and 555528A.

Also Available in White 5555200.

### Technical Specifications

**Brand Name:** Tork® Elevation[™]  
**Product Number:** 5555290  
**System Identifier:** T2 System  
**TorkSelect:** Yes  
**Replaces:** 247550, 555528A  
**Description:** Tork Elevation Bath Tissue Jumbo Roll Mini Twin Dispenser  
**Color:** Black  
**Material:** Plastic  
**Dispenser Dimensions HxWxD (Inches):** 10.125 x 17.0 x 5.6875 (25.72 x 43.18 x 14.45 cm)  
**Dispenser Capacity:** 2 Rolls

### Technical Specifications (cont.)

**Approx. Lbs. Per Case:** 4.0 (1.8 kg)  
**Cubic Feet Per Case:** 0.62 (0.0175 cm)  
**Approx. Product Net Wt Per Case:** 3.27 (1.5 kg)  
**Dispensers Per Tier:** 32  
**Cases Per Tier:** 32  
**Tiers Per Unit Load:** 5  
**Unit Order Quantity (Cases):** 160  
**Case Dimensions LxWxH (Inches):** 10.0 x 6.125 x 17.625 (25.40 x 15.56 x 44.77 cm)  
**Dispenser Key Number:** 200260  
**Meets ADA Technical Requirements:** Yes  
**Product Options:** 11020602, 12013903, 12024402, 120246  
**Shipping Container Code:** 100 73286 62449 6  
**Inner Pack UPC:** N/A  
**Additional Info:** This is a TorkSelect Product; a signed agreement is required.

All specifications are subject to change without notice.  
 12/1/2011