



Tork Elevation Liquid Soap Dispenser:
 S1 System: 570020A (white); 570028A (black)
Dispenser Dimensions HxWxD Inches (cm):
 11.5 x 4.4 x 4.5 (29.1 x 11.2 x 11.4 cm)

Soap Product Options (1 L bottles):

- 400011 - Tork Premium Extra Mild Liquid Soap
- 400012 - Tork Premium Luxury Soft Liquid Soap
- 400013 - Tork Premium Hair and Body Liquid Soap
- 400014 - Tork Premium Extra Hygiene Liquid Soap
- 400015S Tork Premium Liquid Soap Antibacterial with 0.3% Triclosan
- 400015SC Tork Premium Liquid Soap Antibacterial with 0.3% Triclosan (Canada Only)
- 400016 - Tork Premium Alcohol Gel Hand Sanitizer

Dispenser Parts



Part Description	Replacement SKU
PUSH BUTTON - WHITE	205602
PUSH BUTTON - BLACK	205603
KEY FOR TORK DISPENSER	200260 KEY
SOAP PUMP (GREY CAP & BLACK RUBBER)	252380-02 NEW
ELEVATION LOCK - WHITE	205502
ELEVATION LOCK - BLACK	205503

Part Description with Replacement Instructions

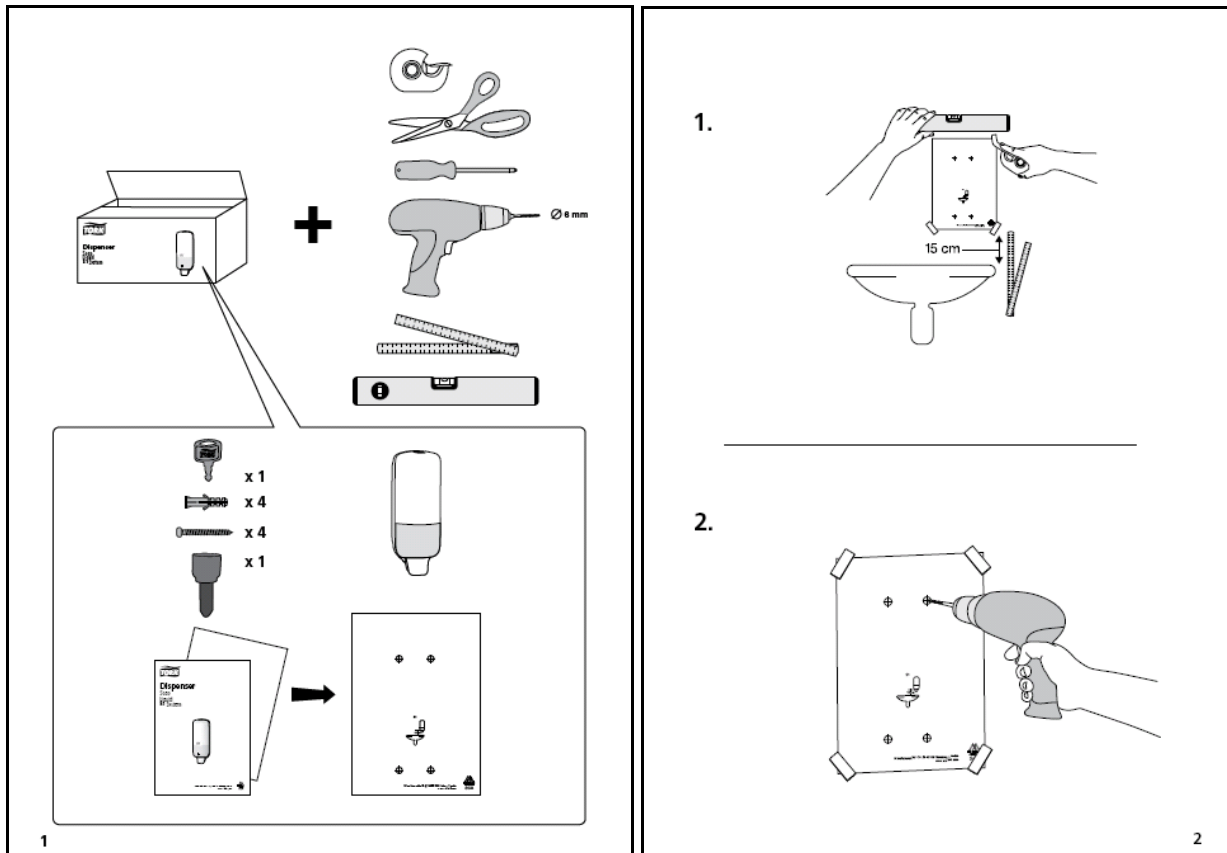
Parts with SKU numbers are available for order as of the revision date on the manual. Contact an SCA Sales Rep or the SCA Tissue Quality Coordinator to order these parts.

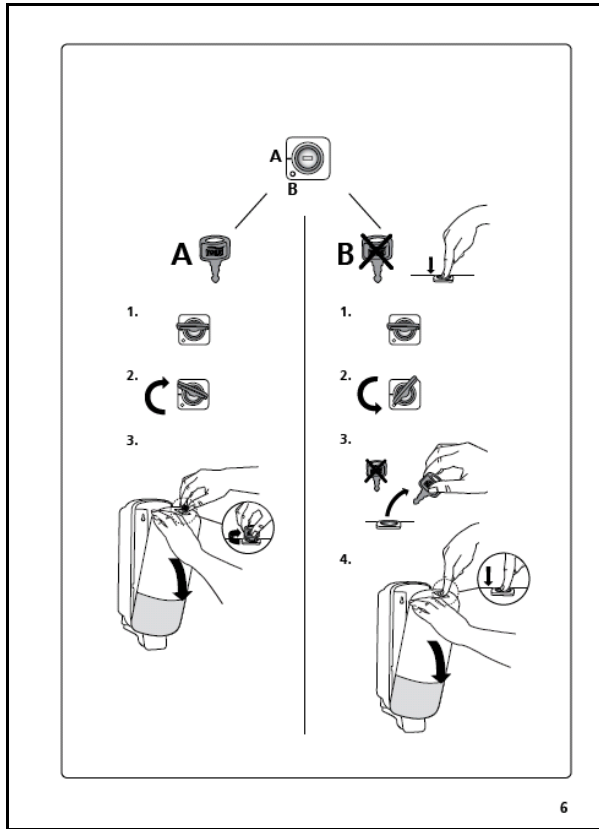
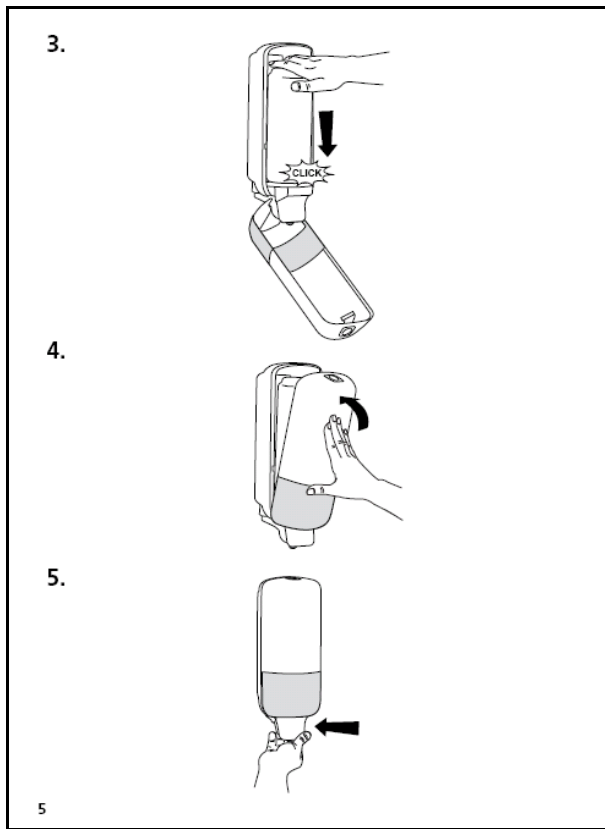
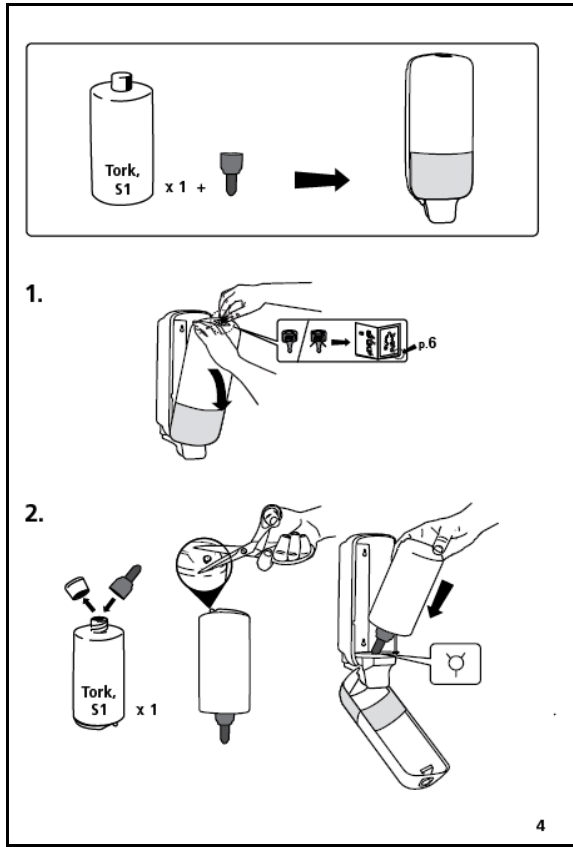
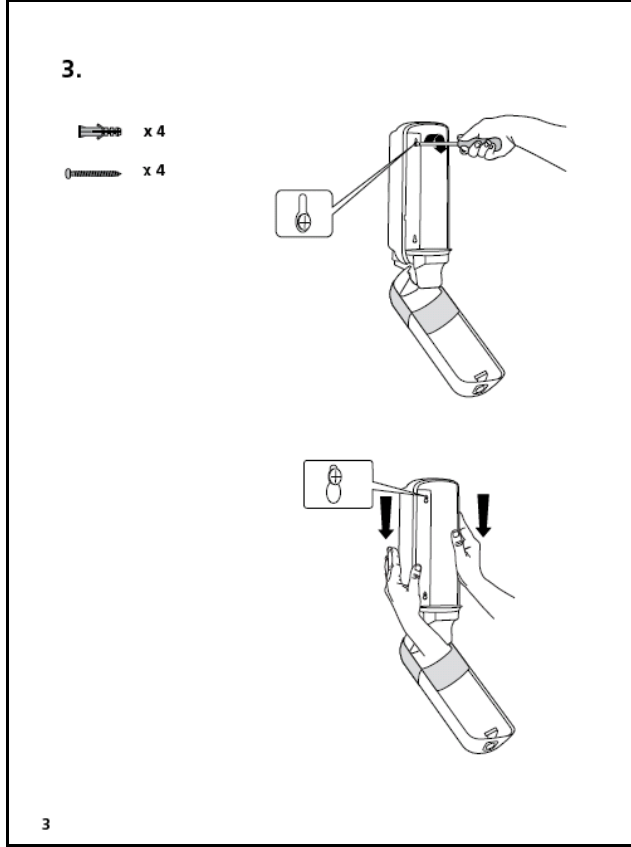
Replacement SKU Description & Replacement Instructions

252380-02 NEW	RUBBER PUMP NOZZLE The rubber pump nozzle screws onto the top of the soap bottles. The nozzle and soap bottle are then installed into the dispenser. See the <u>Loading Instructions</u> section for more details.
205602 White 205603 Black	PUSH BUTTON (WHITE OR BLACK) The user presses the pump handle to dispenser soap. Open cover. Press pin on either side to release from base. Other pin will release easily. Snap new button in place.
205502 White 205503 Black	ELEVATION LOCK (WHITE OR BLACK) The lock can be replaced by pressing the plastic tabs on each side to free the lock from the opening.
200260 KEY	METAL KEY FOR TORK DISPENSERS

Mounting and Filling Instructions

Installation instruction sheet and mounting template are provided inside each carton.





Preventive Maintenance

Clean the cover with a general all-purpose cleaner that is safe for plastics. Do not use abrasives. Dispenser is not dishwasher safe. Dispenser can be completely disassembled for cleaning, if necessary.

Troubleshooting

Problem: Soap bottle is collapsing inside dispenser, preventing bottle from completely dispensing.

- This is a known issue being caused by the bottle and nozzle attachment being air-tight. Until this is corrected with a redesign, the recommended method to avoid this problem is to poke a small hole in the bottle to equalize the pressure inside the bottle. After the bottle and nozzle have been installed in the dispenser, poke a small hole anywhere above the soap line. The plastic is thinner on the side of the bottle compared to the bottom of the bottle, so making the hole on the side of the bottle (somewhere above the soap line) is recommended. Some sort of hand protection (ie. cutting gloves) is strongly recommended when making the hole.

Problem: Any other problem not stated above.

- Contact the SCA Tissue Quality Coordinator.

Contacting SCA

To contact the SCA Tissue Quality Coordinator, dial 1-866-722-6659 and press 6.

Product Date Code Location: The assembly date code for the product can be found on the TorkSelect label affixed to the inside back of the dispenser.

Tork Quality Assurance Hotline:
866-SCA-TORK, Option 6
866-722-8675, Option 6
www.torkusa.com

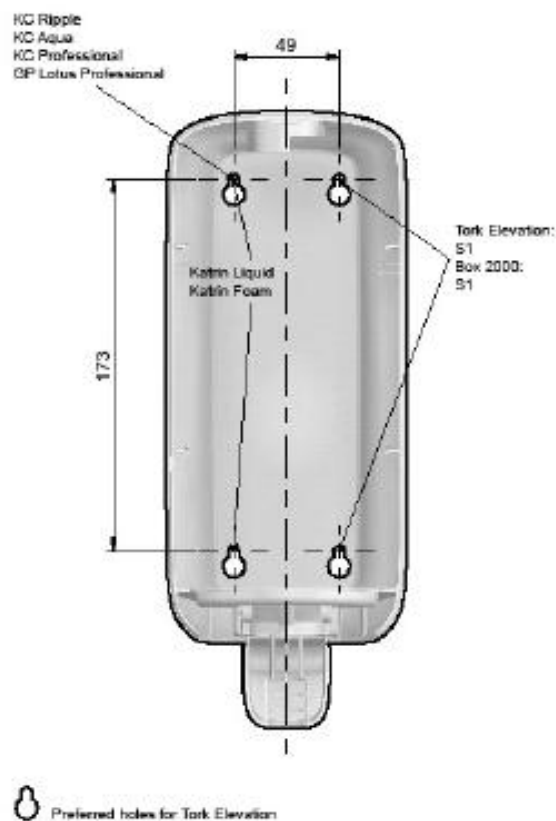
This **TorkSelect** dispenser is the property of SCA Tissue North America and is loaned for dispensing only **TorkSelect** refills. SCA prohibits the sale, modification, filling or use of this dispenser with non-**TorkSelect** products, and will enforce its rights under applicable laws or agreements.

System: Model No.: Date Code:



570020A – 570028A Tork Liquid Soap Dispenser Mounting Hole Dimensions (mm)

Drilling holes:

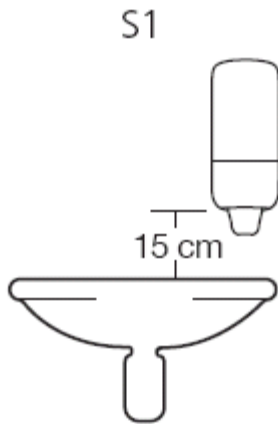


Alternate Mounting (using double-sided tape)

The dispenser is supplied with double-sided tape as an alternative mounting method.

1. Apply to clean and dry surface
2. Remove protection sheet
3. Press on firmly
4. Wait 30 minutes before loading bottle

Recommended Mounting Height (standard access)

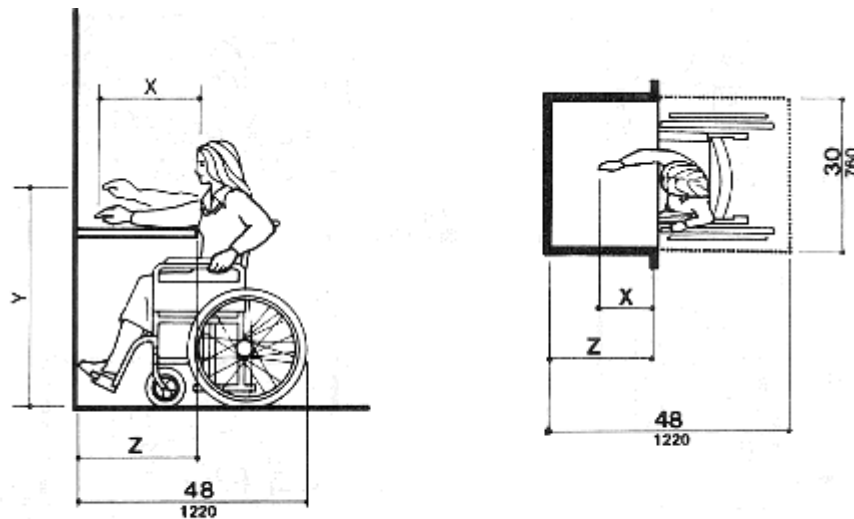


Mount soap dispenser 6" (15cm) above sink or counter surface.

Recommended Mounting Height (ADAAG Guideline)

Maximum Forward Reach over an Obstruction

The maximum level forward reach over an obstruction with knee space below is 25 inches (635 mm). When the obstruction is less than 20 inches (510 mm) deep, the maximum high forward reach is 48 inches (1220 mm). When the obstruction projects 20 to 25 inches (510 mm to 635 mm), the maximum high forward reach is 44 inches (1120 mm). (4.2.5, 4.25.3).



NOTE: x shall be \leq 25 in (635 mm); z shall be \geq x. When x < 20 in (510 mm), then y shall be 48 in (1220 mm) maximum. When x is 20 to 25 in (510 to 635 mm), then y shall be 44 in (1120 mm) maximum.

Note: Compliance with ADA guidelines is the responsibility of the installer and building owner. Local and state requirements may differ from ADAAG guidelines.