

CarrLane®

MANUFACTURING CO.



Standard Components for Tooling and Production

2018 Catalog

www.carrlane.com

Authorized Distributor:


DGL
SUPPLY®
a DoALL Company

Our Best Resource



Your Local Distributor

With more than 300 local distributors
it's easy to find one near you!

















ISO 9001
CERTIFIED

www.carrlane.com/find-a-distributor



CATALOG SECTIONS

Pictorial Index pp. 4-15; Alphabetical Index pp. 16-25

	Alignment Pins..... 27-64	1
	Hoist Rings..... 65-82	2
	Handles, Knobs, and Screw Clamps83-148	3
	Spring-Loaded Devices 149-182	4
	Supports, Rests, and Feet..... 183-212	5
	Locators213-232	6
	Clamps and Accessories233-314	7
	Threaded Inserts315-322	8
	Jig and Fixture Bases323-390	9
	Modular Fixturing.....391-440	10
	Toggle Clamps441-524	11
	Stage and Film525-526	12
	Drill-Jig Bushings527-598	13
	ROEMHELD Power Workholding599-720	14



MANUFACTURING CO.

The Absolute Source For Aerospace Tooling Components

High quality stock items from Carr Lane Manufacturing meet today's rigorous military and aerospace industry specifications.

NEW ITEMS IN 2017:



Captive Jig Pins

Page 31



Captive Locating Screws
with Hand Knob

Page 35



Captive Locating Screws

Page 34



Headed Slotted Locator
Bushings (Press Fit)

Page 37

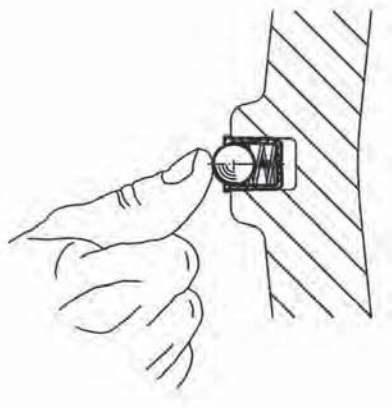


ON-SIZE™
Bushings

Page 224

A hole in one.

Self-Retaining Ball Plungers
From Carr Lane Manufacturing



Thanks to their flexible body design, Self-Retaining Ball Plungers from Carr Lane Mfg. can be securely installed in an ordinary drilled hole, very often simply by hand.

The slotted end of the thermoplastic body expands to compensate for hole tolerances up to .008”.

*Eliminate an extra machining step with
Self-Retaining Ball Plungers.*

PICTORIAL INDEX

Alignment Pins

L PINS, T PINS & JIG PINS



L Pins
p. 28



T Pins
p. 28



Shoulder Pins
p. 29



Jig Pins
p. 29



Locking L & T Pins
p. 30



Captive Jig Pins
p. 31



Locking Pin Bushings
p. 31

CLAMPING PINS



Clamping Pins
p. 32



Locking Clamping Pins
p. 33



Captive Locating Screws
pp. 34-35

SLOTTED LOCATOR BUSHINGS



Press Fit
p. 36



Headed Press Fit
p. 37



Knurled
p. 38



Template Type
p. 39

BALL LOCK PINS



Technical Information
pp. 40-41



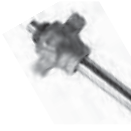
Ball Lock Pins
pp. 42-43



Marine Ball Lock Pins
pp. 44-45



Heavy-Duty Ball Lock Pins
pp. 46-47



Adjustable Ball Lock Pins
pp. 48-49



Double-Acting Ball Lock Pins
pp. 50-51



Lifting Pins
pp. 52-53



Ball Lock Receiver Caps
p. 54

DETENT PINS



Detent Pins
p. 55



Marine Detent Pins
p. 56



Economy Detent Pins
p. 56



Threaded Detent Pins
p. 57

EXPANDING PINS



Cam Handle
p. 58



Hex Head
p. 59

CABLE



Cable Assemblies
pp. 60-61



Cable
p. 62



Ferrules
p. 62



Terminals
p. 62



Cable Rings
p. 63



Cable Tabs
p. 63



Crimping Tools
p. 63



Nylon Lanyards
p. 64



Ball Lock Coupling Rings
p. 64

ALSO SEE:
Carr Lock® System (Jig and Fixture Bases)
pp. 324-341



ALSO SEE:
Hand-Retractable Plungers (Spring-Loaded Devices)
pp. 164-172



ALSO SEE:
Index Plungers (Spring-Loaded Devices)
pp. 173-175



Hoist Rings



Hoist Ring Safety Precautions
p. 66



Swivel Hoist Rings
pp. 69-76



Side-Pull Hoist Rings
pp. 78-79



Pivoting Hoist Rings
p. 80



Lifting Eyes
p. 81



Hoist Ring Accessories
p. 82



**ALSO SEE:
Lifting Pins (Alignment Pins)**
pp. 52-53

Handles, Knobs, and Screw Clamps

FLUTED KNOBS



Palm-Grip Hand Knobs (Aluminum)
p. 86



Fluted Knobs (Phenolic)
p. 87



Fluted Knobs (Thermoplastic)
p. 88



Star Knobs (Thermoplastic)
p. 89



Star Knobs (Cushion Grip)
p. 89

FOUR-PRONG KNOBS & SCREW CLAMPS



Hand Knobs (Aluminum)
p. 90



Hand Knobs (Cast Iron)
p. 90



Hand Knobs (Stainless Steel)
p. 96



Hand Knob Assemblies
p. 91



Swivel-Washer Hand Knob Assemblies
p. 92

(continued)



Knob Shoe Assemblies
p. 93



Bar-Lok Quick-Acting Screw Clamps
pp. 102-103



Quick-Acting Knobs
p. 97



Four-Prong Knobs (Phenolic)
pp. 94-95



Four-Prong Knobs (Thermoplastic)
p. 95



Three-Prong Knobs
p. 98

T-HANDLE KNOBS



T-Handle Knobs
p. 99



**ALSO SEE:
Clamping Pins (Alignment Pins)**
pp. 32-33

BAR-HANDLE KNOBS & SCREW CLAMPS



Bar-Handle Screw Clamps
pp. 100-101



Bar-Handle Nuts
p. 101



Bar-Lok Quick-Acting Screw Clamps
pp. 102-103



Bar Knobs
p. 97

KNURLED KNOBS & SCREW CLAMPS



Knurled-Head Screws
p. 105



Swivel Head Screws
pp. 106, 108



Knurled Knobs
p. 110



Adjustable-Torque Thumb Screws
p. 112



Quick-Acting Knurled Knobs
p. 111



Adjustable-Torque Knobs
p. 111



Knurled Knobs (Plastic)
p. 113



**ALSO SEE:
Knurled Nuts**
p. 282

SOCKET-HEAD SCREW CLAMPS



Swivel Screw Clamps
pp. 106, 109



**ALSO SEE:
Jig Feet Leveling (Supports, Rests, and Feet)**
p. 187



**ALSO SEE:
Gripper Swivel Contact Bolts (Supports, Rests, and Feet)**
pp. 196-197



**ALSO SEE:
Gripper Swivel Screws (Supports, Rests, and Feet)**
p. 200



Feet For Swivel Screws
p. 107

LATCH SCREWS



Quarter-Turn Screws
p. 104

Half-Turn Screws
p. 104

HAND WHEELS



Hand-Wheel Modifications
p. 114



Cast Iron
pp. 115-116



Aluminum
pp. 115, 117



Stainless Steel
p. 118



Thermoplastic
pp. 119-122



Phenolic
pp. 123-124



Solid Handles
p. 125



Revolving Handles
pp. 126-128

LEVER HANDLES & CRANK HANDLES



Lever Handles and Lever Bars
pp. 129-130



Crank Handles
p. 131



Speed Ball Handles
p. 131



Balanced Crank Handles
p. 132



Crank Handles Thermoplastic
p. 133

ADJUSTABLE HANDLES



Steel Body & Plastic Handle
p. 134



Stainless Body & Plastic Handle
p. 135



Steel Body & Zinc Handle
p. 136



Adjustable Lever Handles
pp. 137-138

KNOB HANDLES



Ball Knobs
pp. 139-141



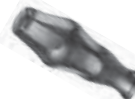
Oval Ball Knobs
p. 140



Oval Tapered Knobs
p. 142



Tapered Knobs
p. 143



Palm-Grip Handles
p. 143



Knob Handles
p. 144



Tapered Knobs and Handles
p. 145



Pull Knobs
p. 146



T Handles
p. 146



Pull Handles
pp. 147-148

Spring-Loaded Devices

SPRING PLUNGERS



Spring Plungers
pp. 152-153



Short Spring Plungers
p. 154



Short Spring Plungers with Extended Travel
p. 155



Press-Fit Spring Plungers
p. 156

BALL PLUNGERS



Technical Information
p. 157



Ball Plungers
pp. 160-161



Press-Fit Ball Plungers
p. 162



Self-Retaining Ball Plungers
p. 163



Ball Detents
p. 159



Plunger Wrenches
p. 159

HAND-RETRACTABLE PLUNGERS



Knurled Head
p. 164



Threaded Stud for Knob Handle
p. 165



Pull Ring (Locking Type)
p. 166



Pull Ring (Non-Locking Type)
p. 167



L Handle (Short Stroke)
p. 168



L Handle (Long Stroke)
p. 169



Knob Handle
p. 170



Knob Handle with Mounting Plate
p. 171



Pull Ring (Extended-Locking Type)
p. 172

INDEX PLUNGERS



Tapered Index Plungers
pp. 173-175



Straight Index Plungers
pp. 173-175

SPRING STOP BUTTONS



Spherical Radius
p. 176



Flat Face with Tang
p. 177



Flat Face
p. 178



ALSO SEE: Spring-Stop Button Adaptors (Modular Fixturing)
p. 427

SPRING LOCATING PINS



Steel Pin (Coil Spring)
p. 179



Stainless Pin (Polyurethane Spring)
p. 180



Delrin® Pin (Polyurethane Spring)
p. 181



Tapped Receptacle
p. 182



Eccentric Liners
p. 182



ALSO SEE: Adjustable-Torque Thumb Screws (Handles, Knobs, and Screw Clamps)
p. 112



ALSO SEE: Adjustable-Torque Knobs (Handles, Knobs, and Screw Clamps)
p. 111



ALSO SEE: Torque Screw Jacks (Supports, Rests, and Feet)
p. 210

Supports, Rests, and Feet

LEVELING FEET



Leveling Feet
p. 185



Stud Leveling Feet
p. 186



Jig Leveling Feet
p. 187



Jig Feet Leveling Assemblies
p. 187

SWIVEL PADS



Swivel Pads
p. 188



Swivel Nuts
p. 188



Swivel Pad Feet
p. 189

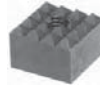


Swivel Contact Bolts
p. 205

GRIPPERS



Round Grippers
pp. 190-192



Square Grippers
pp. 192-193



Edge Grippers
p. 194



Gripper Contact Bolts
p. 195



Gripper Swivel Contact Bolts
pp. 196-197



Gripper Swivel Pads
pp. 198-199



Gripper Swivel Screws
p. 200



Round Carbide Pads
p. 200

REST BUTTONS & PADS



Rest Buttons
p. 202



Jig Rest Buttons
p. 203



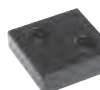
Screw Rest Pads
p. 204



Screw Rest Buttons
p. 204



Spherical-Radius Locator Buttons
p. 202



Jig Leg Plates
p. 208

(continued)



Heavy-Duty Rest Pads
p. 208



Drill Jig Feet
p. 203



Double-End Jig Feet
p. 205



**ALSO SEE:
Height Shims
(Modular Fixturing)**
p. 419



Manual Work Supports
p. 209



SCREW JACKS

Knurled Screw Jacks
p. 210



Torque Screw Jacks
p. 210



Adjustable Locating Buttons
p. 210



Heavy-Duty Screw Jacks
p. 211



Eccentric Leveling Lugs
p. 212



**ALSO SEE:
Modular Supports
& Locators
(Modular Fixturing)**
pp. 416-427

Locators

LOCATING PINS



Floating Locating Pins
p. 225



Round & Diamond Pins
pp. 216-217



Round & Diamond Locating Pins
pp. 218-221



Bullet-Nose Dowels
p. 223



Cone Locator Pins
p. 223



Bullet-Nose Round & Diamond Pins
p. 222

CONSTRUCTION BALLS



Construction Balls (Shoulder Type)
p. 226



Construction Balls (Adjustable Type)
p. 227

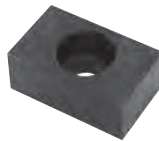


Construction-Ball Pads
p. 228

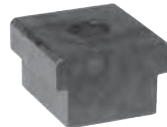


Construction-Ball Covers
p. 227

FIXTURE KEYS



Fixture Keys
p. 229



Step Fixture Keys
p. 229



Sure-Lock™ Fixture Keys
p. 230



Reamed-Hole Fixture Keys
p. 230

(continued)



Locating Keys
p. 231



Subplate Locating Keys
p. 231



Pallet Fixture Keys
p. 232



Mill Fixture Keys
p. 232



ALSO SEE: Carr Lock® System (Jig and Fixture Bases)
pp. 324-341



ALSO SEE: Fixture Locating Pins (Modular Fixturing)
p. 415



ALSO SEE: ID Clamps
pp. 280-281

Clamps and Accessories

CLAMP STRAPS



Forged Adjustable Clamps
p. 236



Slotted-Heel Clamp Straps
pp. 237-242



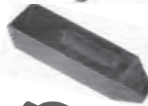
Tapped-Heel Clamp Straps
pp. 243-248



Swivel-Heel Clamp Straps
p. 251



Double-End Clamp Straps
pp. 252-253



Step Blocks & Clamps
pp. 255-256



Forged U Clamps
p. 254

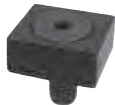


Aluminum Adjustable Clamps
p. 254

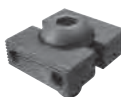


**ALSO SEE:
High-Rise Clamps
(Modular Fixturing)**
pp. 430-432

EDGE CLAMPS



Tiny Vise® Edge Clamps
pp. 258-266



Tiny Vise® Double Edge Clamps
pp. 264-266

(continued)



Serrated Adjustable Edge Clamps
p. 267



Serrated Fixed Edge Clamps
p. 268



Cam Edge Clamps
p. 269



**ALSO SEE:
Pivoting Edge Clamps
(Modular Fixturing)**
p. 437



**ALSO SEE:
Toggle Edge Clamps
(Toggle Clamps)**
pp. 496-497



**ALSO SEE:
Hydraulic Edge Clamps
(ROEMHELD Power Workholding)**
p. 615

SWING CLAMPS



Hook Clamps
pp. 271-273



One-Touch Quick Acting Swing Clamps
pp. 274-276



Swing Clamp Assemblies
pp. 278-279



Up-Thrust Clamps
p. 277



**ALSO SEE:
Hydraulic and Air-Powered Swing Clamps
(ROEMHELD Power Workholding)**
pp. 619-630



ID Clamps
pp. 280-281

NUTS



Acorn Nuts
p. 282



Knurled Nuts
p. 282



Knurled Check Nuts
p. 282



Hex Nuts
p. 283



Jam Nuts
p. 283



Flange Nuts
p. 284



Coupling Nuts
p. 284



Spherical Nuts & Washers
p. 285



**ALSO SEE:
Bar-Handle Nuts
(Handles, Knobs,
and Screw Clamps)**
p. 101



**ALSO SEE:
Bar Knobs (Handles,
Knobs, and Screw Clamps)**
p. 97

WASHERS



Spherical Washers
p. 285



Flat Washers
p. 286



Knurled-Face Washers
p. 286



C Washers
p. 287



Swing C Washers
p. 287



**ALSO SEE:
Flanged Washers
(Toggle Clamps)**
p. 524

STUDS, BOLTS, AND T NUTS



Shoulder Screws
p. 288



Studs
pp. 289-290



T Nuts
pp. 291-292



Rotary T Nuts
p. 293



T-Slot Bolts
p. 295



Eye Bolts
p. 296



Swing Bolts
p. 297

CAMS



Cam Handles
p. 298



ALSO SEE:
Clamp-Strap Assemblies with Cam Handles
pp. 238-239, 241-242, 251-252



ALSO SEE:
Cam Edge Clamps
p. 269



ALSO SEE:
Vertical-Handle Cam Clamps (Toggle Clamps)
p. 468

CLAMP RESTS & ACCESSORIES



Clamp Rests
p. 299



Guide Blocks
p. 300



Clamp Springs
p. 300



Step Blocks
pp. 255-256



ALSO SEE:
Stud Leveling Feet (Supports, Rests, and Feet)
p. 186

CLAMPING KITS



Step Block & Clamp Sets
p. 256



T Nut & Stud Sets
p. 292



Rotary T Nut & Stud Sets
p. 293



T-Slot Bolt Kits
p. 295



Clamping Kits
p. 301



Deluxe Clamping Kits
pp. 302-303

PORTABLE CLAMPS



Shark Clamps
p. 304



Plastic C Clamps
p. 305



Swing C Clamps
p. 306



Also see Forged Toggle Pliers (Toggle Clamps)
pp. 507-509



Also see Toggle Bar Clamps (Toggle Clamps)
p. 510



Drill-Press Clamps
pp. 307-308

HAMMERS & HAND TOOLS



T-Slot Cleaners
p. 292



Simplex Hammers
pp. 309-311



No-Rebound Hammers
pp. 312-314



Soft-Face Punches
p. 314



No-Mar Aluminum Hammers
p. 314

Threaded Inserts

KEY INSERTS



Technical Information
p. 316



Key Inserts (Heavy Duty)
pp. 317-318



Key Inserts (Heavy Duty, Internal Thread Locking)
p. 318



Key Inserts (Thinwall)
p. 319



Key Inserts (Thinwall, Internal Thread Locking)
p. 319



Solid Key Inserts
p. 320



Key Insert Installation Tools
p. 320



Key Insert Assortments
p. 321

Jig and Fixture Bases

CarrLock® SYSTEM



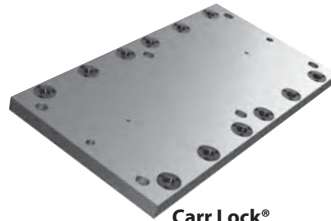
Carr Lock® Clamps
p. 324



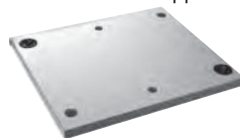
Carr Lock® Liner Bushings
p. 325



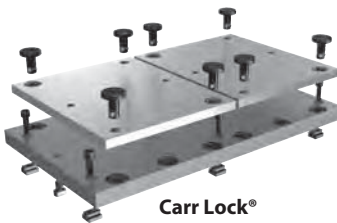
Carr Lock® Receiver Bushings
p. 326



Carr Lock® Subplates
pp. 327-334



Carr Lock® Fixture Plates
pp. 335-337, 340



Carr Lock® System Kits
pp. 327-334, 341



Carr Lock® Tooling Blocks
pp. 338-339



QUICK-CHANGE 5-AXIS WORKHOLDING



System Features and Options
pp. 343-346



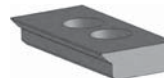
Quintus Quick-Change Risers
pp. 347-349



Riser Blocks
p. 350



5-Axis Vises
pp. 351-352

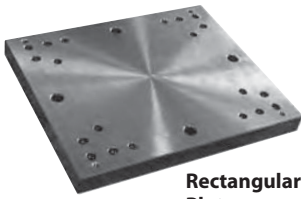


Dovetail Clamping
p. 353

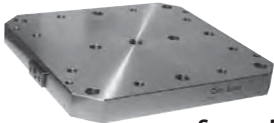


Fixture Plates
pp. 355-362

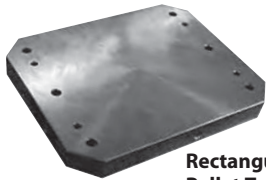
BLANK TOOLING PLATES



Rectangular Tooling Plates
p. 364



Square Pallet Tooling Plates
p. 365



Rectangular Pallet Tooling Plates
p. 366

BLANK TOOLING BLOCKS



Two-Sided Tooling Blocks
p. 367



Four-Sided Tooling Blocks
p. 369

CAST SECTIONS



T
p. 376



L
p. 376



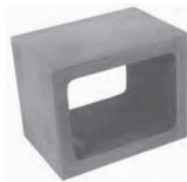
U
p. 376



V
p. 377



Square
p. 377



Rectangular
p. 377

HINGED BUSHING PLATES

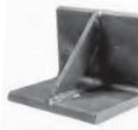


Hinged Bushing Plates
pp. 378-379

ANGLE BRACKETS



Angle Brackets
p. 380



Gusseted Angle Brackets
p. 380



Angle Brackets with Locating Holes
p. 381



Adjustable Angles
p. 382

TRUNNIONS



Trunnions
pp. 384-385



Spherical Trunnions
p. 383

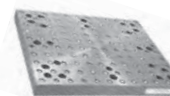
ADJUSTABLE LOCKING HUBS



Heavy Duty/ Stainless
pp. 387-389



Medium Duty/ Plastic
p. 390



**ALSO SEE:
Modular Tooling Plates & Blocks (Modular Fixturing)**
pp. 404-413

Modular Fixturing



Technical Information
pp. 395-398



Toolroom Starter Sets
pp. 399-403



Modular Tooling Plates & Blocks
pp. 404-413



Modular Mounting Accessories
pp. 414-415



Modular Supports & Locators
pp. 416-426



Modular Clamps
pp. 428-440

Toggle Clamps



Technical Information
p. 442



Horizontal-Handle Toggle Clamps
p. 445 (Index)



Vertical-Handle Toggle Clamps
pp. 455-456 (Index)



Push/Pull Toggle Clamps (Plunger Type)
p. 483 (Index)



Toggle Edge Clamps
p. 496 (Index)



Latch-Action Toggle Clamps
p. 498 (Index)



Toggle Pliers
p. 506 (Index)



Air-Powered Clamps
p. 511 (Index)



Toggle Clamp Accessories
pp. 519-524

Stage & Film



Swivel Hoist Rings
p. 525



Side-Pull Hoist Rings
p. 525



Pivoting Hoist Rings
p. 525



Lifting Eyes
p. 525



Lifting Pins
p. 525



Ball Lock Pins
p. 525



Threaded Inserts
p. 525



Glow Wagon Brakes
p. 526

Drill Bushings



Technical Information
pp. 530-534



Quick-Ship Drill Bushings
pp. 535-536



Press-Fit Bushings
pp. 537-548



Renewable Bushings
pp. 549-555



Liner Bushings
pp. 556-561



Lockscrews and Clamps
pp. 562-563



Chip-Breaker Bushings
pp. 564-565



Directed-Coolant Bushings
pp. 566-567



Oil-Groove Bushings
pp. 568-570



Castable Bushings
pp. 571-575



Template Bushings
pp. 576-579



Gun-Drill Bushings
pp. 580-582



Air-Feed Bushings
pp. 583-597

ROEMHELD Power Workholding



Product Features, Design Information, and Safety Precautions
pp. 602-610

CLAMPS & CYLINDERS



Swing Clamps
pp. 619-630



Extending Clamps
pp. 613-618



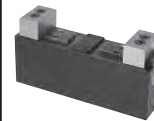
Threaded Cylinders
pp. 632-639



Block Cylinders
pp. 636-637



Work Supports
p. 643 (Index)



Fixture Clamps
pp. 664-666



Precision Vises and Concentric Clamping
pp. 647-648 (Index)



Quick-Change Mounting Systems
pp. 659



Hydraulic Power Sources
pp. 667-668 (Index)



Hydraulic Valves
pp. 680-681 (Index)



Fittings & Accessories
p. 692 (Index)



Assembly & Handling Technology
pp. 717-718

ALPHABETICAL INDEX

KEY TO CATALOG SECTIONS

Tooling Components	Tabbed Sections 1-9 (pages 27-390)
Modular Fixturing	Tabbed Section 10 (pages 391-440)
Toggle Clamps	Tabbed Section 11 (pages 441-524)
Stage & Film	Tabbed Section 12 (pages 525-526)
Drill Jig Bushings	Tabbed Section 13 (pages 527-598)
Power Workholding	Tabbed Section 14 (pages 599-720)

A

A.....	583-597
AA.....	382
AB.....	380
ABA.....	380
ABK.....	381
ABLB.....	381
ABP.....	48-49
Accessories, Toggle Clamp.....	520-524
Accumulators.....	702
Acorn Nuts.....	282
ACV.....	519
Adjustable Angles.....	382
Adjustable Ball Lock Pins.....	48-49
Adjustable Clamps, Aluminum.....	254
Adjustable Clamps, Forged.....	236, 302, 436
Adjustable Clamps, Serrated.....	267-268, 438-439
Adjustable Handles.....	134-136
Adjustable Lever Handles.....	137-138
Adjustable Locking Hubs.....	386-390
Adjustable Locating Buttons.....	210
Adjustable-Torque Knobs.....	111
Adjustable-Torque Thumb Screws.....	112
AED.....	706
AF.....	711
AFC.....	706
AFL.....	592
AGNS.....	250
AH.....	136
AHL.....	137-138
AHP.....	134-135
AHTC.....	452
Air-Control Accessories.....	519, 706
Air Feed Bushings.....	583-597
Air-Feed Lockscrews.....	595
Air Fittings.....	519, 711
Air Power Units.....	673-675
Air-Powered Swing Clamps.....	619-620
Air-Powered Toggle Clamps.....	511-519
ALCS.....	250
ALH.....	387-390
Alignment Pins.....	27-64
Aluminum Adjustable Clamps.....	254
Aluminum Goose-Neck Clamp Straps.....	250
Aluminum Hand Knobs.....	86, 90
Aluminum Hand Wheels.....	115, 117
Aluminum Locator-Nose	

Clamp Straps.....	250
Aluminum Straight Clamp Straps.....	250
AN.....	282
Anchor Shackles.....	82
Angle Brackets.....	380-382
Angle Brackets, Gussetted.....	380, 382
Angle Plates.....	409, 413
Angle Tooling Plates.....	409
Angles, Adjustable.....	382
Angles, Cast Section.....	383-385
AP.....	673-675
ASCA.....	620
ASCS.....	250
Assemblies, Cable.....	60-61
Assemblies, Hand Knob.....	91-92
Assemblies, Hook Clamp.....	271-273, 435
Assemblies, Jig-Feet Leveling.....	187
Assemblies, Knob Shoe.....	93
AT.....	594
ATC.....	469
ATEC.....	497
ATK.....	111
Auto-Locking Plungers.....	172
Automotive Clamps.....	470-473
Automatic Toggle Clamps.....	452, 469, 497
Automatic Toggle Edge Clamps.....	497

B

B.....	206-207
Backstops, Locating.....	437
Balanced Crank Handles.....	132
Ball Detents.....	159
Ball Knobs.....	139-141
Ball Lock Coupling Rings.....	64
Ball Lock Pins.....	40-51, 53
Ball Lock Receiver Caps.....	54
Ball Plungers.....	157-158, 160-163
Balls, Construction.....	226-227
Balls, Plastic.....	139-140
Bar Clamps, Toggle.....	510
Bar-Handle Screw Clamps.....	100-101
Bar-Handle Nuts.....	101
Bar Knobs.....	97
Bar-Lok Quick-Acting Screw Clamps.....	102-103
BC.....	637
BCD.....	637

BD.....	159
BDP.....	222
BF.....	364-366
BHCS.....	265-266
BHN.....	101
BHS.....	100
BK.....	97
Blank Tooling Blocks.....	367, 369
Blank Tooling Plates.....	335-336, 355-360, 364-366
BLCR.....	64
BLH.....	46-47
BLK.....	102
BLM.....	103
Block Clamps.....	636-637
Block Cylinders.....	636-637
Block Push Clamps.....	636-637
Blocks, Four-Sided Tooling.....	411
Blocks, Guide.....	300
Blocks, Riser.....	416, 432
Blocks, Step.....	255-256
Blocks, Tooling.....	338-339, 367, 369, 410
Blocks, Two-Sided Tooling.....	410
Blocks, V.....	385, 423-424
BLP.....	42-43
BLR.....	54
BLT.....	102
BND.....	222-223
BNV.....	224
Bodies for Swivel Screws.....	106
Bolt Retainers.....	524
Bolts, Angle Bracket Locating.....	381
Bolts, Contact.....	202-203, 209-210, 433, 520-523, 715
Bolts, Eye.....	296
Bolts, Latch (See Swing Bolts).....	297
Bolts, Swing.....	297
Bolts, T.....	295
Bolts, T-Slot.....	295
Bore Clamps.....	280-281
BP.....	160
BPD.....	50-51
BPNV.....	224
BR.....	524
BRP.....	222
Brackets, Angle.....	380-382
BS.....	255
BSH.....	256
BSS.....	106

Bullet-Nose Dowels and Bushings	223
Bullet-Nose Pins and Bushings.....	222
Bushings, Air Feed	583-595
Bushings, Bullet-Nose Dowel Pin.....	223
Bushings, Chip Breaker	564-565
Bushings, Circuit Board	See website
Bushings, Cone Locator Pin	223
Bushings, Diamond Groove	571-572
Bushings, Directed Coolant	566-567
Bushings, Drill Jig	529-598
Bushings, EZ Cast	575
Bushings, Gun Drill	580-582
Bushings, Head Liner	559-560
Bushings, Head Press Fit	542-546
Bushings, Liner	556-558
Bushings, Locating.....	414
Bushings, Locating Pin	222-224
Bushings, Oil Groove.....	568-570
Bushings, Press Fit	537-548
Bushings, Serrata Groove	573
Bushings, Serrated Press Fit	547-548
Bushings, Slip/Fix Renewable	549-553
Bushings, Slotted Locator	36-39
Bushings, Straight Index Plungers.....	173-175
Bushings, Tapered Index Plungers.....	173-175
Bushings, Template	576-579
Bushings, Un-A-Lok™ Liner	561
Bushings, Un-A-Lok™ Liner, Diamond Knurl	574
Buttons, Adjustable Locating	210
Buttons, Jig Rest	203
Buttons, Rest	202
Buttons, Screw Rest	204
Buttons, Spherical-Radius Locator	202
Buttons, Spring-Stop	176-178, 427
 C	
C.....	62
C Clamps.....	305-306
C Washers.....	287
C Washers, Swing	287
CA.....	273
CAA.....	385
Cable Assemblies.....	60-61
Cable Rings.....	63
Cables	60-62
Cable Tabs.....	63
CAC.....	271
Cam-Action Hold-Down Clamps	468
Cam Edge Clamps	269, 436
Cam Handles	298
Cam-Type Clamp Straps.....	241, 243-244, 253-254
Cams, Double.....	298
Cap Screws, Hex-Head.....	415
Cap Screws, Socket-Head.....	414
Captive Jig Pins	31
Captive Locating Screws	34-35
Carr Lock® Clamps	324
Carr Lock® Fixture Plates	335-337
Carr Lock® Liner Bushings	325
Carr Lock® Receiver Bushings	326
Carr Lock® System	325-341
Carr Lock® System Kits	327-334
Carr Lock® Subplates	328-334
Cast Sections	376-377
CB	227, 715
CBP.....	228
CBPK.....	228
CBPR.....	228
CBU	See website
CC.....	522
CF	376
CH.....	298, 564
CHB.....	132
Check Nuts, Knurled	282
Check Valves, Air.....	519
Check Valves, Hydraulic	689, 691
CHM.....	565
CHP	133
Chip Breaker Drill Bushings	564-565
Circuit Board Drill Bushings.....	See website
CJP	31
CK	301
CKH.....	301
CKMH.....	301
CL5° 5-Axis Workholding	342-363
CLK.....	363
Clamp Assemblies, Cam-Type	241, 243-244, 253-254
Clamp Assemblies, Double-End	254-255, 429
Clamp Assemblies, Hook.....	271-273, 435
Clamp Assemblies, Slotted-Heel	239-244, 428
Clamp Assemblies, Swing	274-276, 278-279, 434
Clamp Assemblies, Swivel Heel	253
Clamp Assemblies, Tapered-Nose	248
Clamp Assemblies, Tapped-Heel	245-250
Clamp Assemblies, Wide-Nose	249
Clamp Heels (See Clamp Rests)	299
Clamp Rest Screws.....	299
Clamp Rests	299
Clamp Springs	300
Clamp Strap Assemblies.....	236-237, 240-244, 250, 253-254, 429-430
Clamp Straps, Aluminum Gooseneck	250
Clamp Straps, Aluminum Locator-Nose	250
Clamp Straps, Aluminum Straight	250
Clamp Straps, Cam-Type.....	241, 243-244, 253-254
Clamp Straps, Double-End	252-253, 429
Clamp Straps, Forged Gooseneck	249
Clamp Straps, Forged Straight	249
Clamp Straps, Locator Nose	249-250
Clamp Straps, Slotted-Heel	237-242, 428
Clamp Straps, Swivel-Heel	251
Clamp Straps, Tapered-Nose	246
Clamp Straps, Tapped-Heel	243-250
Clamp Straps, Tapped-Heel Padded.....	248
Clamp Straps, U-Shaped	238
Clamp Straps, Wide-Nose	247
Clamping Kits.....	301-303
Clamping Pins.....	33
Clamping Valves	682-684
Clamps, Air-Powered	513-520, 619-620
Clamps, Aluminum Adjustable	254
Clamps, Automotive.....	470-473
Clamps, Bar.....	510
Clamps, Block.....	636-637
Clamps, Bushing	562-563
Clamps, C.....	305-306
Clamps, Cam-Action Hold-Down	468
Clamps, Cam Edge	269
Clamps, Carr Lock®	324
Clamps, Drill-Press	307-308
Clamps, Edge	269, 496-497, 615
Clamps, Electric.....	See website
Clamps, Expanding	280-281
Clamps, Extending.....	613, 616-618
Clamps, Flat	613-614
Clamps, Forged Adjustable	236, 436
Clamps, Forged Strap	237-238, 251
Clamps, Forged U	254
Clamps, High-Rise	430-432
Clamps, Hinge	617-618
Clamps, Hook.....	271-273, 435
Clamps, Hold-Down Toggle	445-482
Clamps, Hydraulic	606-699
Clamps, ID	280-281
Clamps, Internal.....	280-281
Clamps, Latch Action	498-505
Clamps, Plain	255
Clamps, Plate.....	470-473
Clamps, Power.....	511-519, 599-720
Clamps, Push/Pull Toggle.....	483-495
Clamps, Quick-Acting Screw	103, 105
Clamps, Round	562-563
Clamps, Screw	91-93, 95, 100-110, 111, 113, 134-138, 440
Clamps, Self-Adjusting Plunger.....	487, 492, 495
Clamps, Serrated Adjustable	438
Clamps, Shark	304
Clamps, Step	255-256
Clamps, Strap.....	236-254
Clamps, Power Workholding	602-666
Clamps, Swing	271-276, 278-279, 306, 434-435, 619-630
Clamps, Swivel Screw	93, 100-101, 103, 105-109, 113

Clamps, Toe	258-269, 436-439, 615
Clamps, Toggle.....	441-524
Clamps, Tubing	710
Clamps, Up-Thrust	277, 434
CLB.....	222-223
CLBR	326
CLC.....	324, 327-337
Clevis Pins.....	298
CLFP.....	327-337
CLFR.....	326
Clinch-Lok® (See Template Bushings)	576-577
Clips, Hoist Ring	82
CLK.....	363
CLMK.....	341
CLP.....	223
CLPK	324
CLPL.....	325
CLPP	341, 415
CLRS	362
CLS	34-35
CLSH	34-35
CLSK	327-334
CLSL.....	325
CLSP.....	327-334
CLTW	341
CLVP	298
CN.....	284
Collet Vises.....	See website
Compact Clamps	616
Concentric Clamps.....	See website
Concentric Vises.....	661-662
Cone-Cushion Spindles.....	522
Cone Locator Pins and Bushings	223
Construction-Ball Covers	227
Construction-Ball Pads	228
Construction Balls	226-227
Construction Balls, Shoulder	226
Contact-Bolt Extensions.....	433
Contact-Bolt Holders.....	433
Contact Bolts.....	195-197, 200, 205, 413, 520-523, 715
Control Cylinders.....	See website
Coupling Elements	703-704
Coupling Nuts.....	284
Coupling Rings, Ball Lock	64
Couplings, Hydraulic.....	693-704
Couplings, Rotary	693-695
Couplings, Rotary Valve	696-699
COVER.....	212, 227
Covers, Construction-Ball.....	227
Covers, Eccentric-Leveling-Lug	212
Covers, Optical-Cup Mount	See website
CP	33, 244, 248
CPU.....	See website
CR.....	240
Crank Handles.....	131-133
Crank Handles, Balanced	132
Crimping Tools.....	63
CRS.....	299
CS	237-239, 242-243, 248, 251-252, 428-429
CSH.....	377

CSR.....	377
CSS.....	377
CST.....	376
CT	63
CUT.....	376
CW.....	287
Cylinders, Hydraulic.....	631-639
Cylinders, Riser	419
Cylinders, Support	420-421

D

DBP	160-161
DC.....	305, 566
DCHL.....	563
DCK.....	303
DCKN.....	303
DCL	567
DCS	305
DCT	305
DEA.....	252
Decouplers, Pallet	700-701
DEJF.....	205
Delt-A-Groove (See Diamond Groove Bushings).....	571-572
Deluxe Clamping Kits.....	302-303
DEP	55
Detent Pins	55-57
Detents, Ball	159
DG.....	571
DGM	572
Diamond Groove Drill Bushings.....	571-572
Diamond Locating Pins.....	218-221
Diamond Pins	216-221, 415
Directed Coolant Bushings.....	566-567
Directional-Control Valves.....	519, 682-684
Disconnects, Hydraulic Quick.....	707
DJF	203
DLT	220-221
Double Cams	298
Double-Acting Ball Lock Pins.....	50-51
Double Edge Clamps, TINY VISE®	264-265
Double-End Clamp Straps.....	252-253, 429
Double-End Jig Feet.....	205
Dowels, Bullet-Nose	223
DPT	218-219
DPX	216-217
DPY	216-217
DPZ	216-217
Drill Bushings, Air Feed	583-597
Drill Bushings, Chip Breaker	564-565
Drill Bushings, Circuit Board.....	See website
Drill Bushings, Diamond Groove.....	571-572
Drill Bushings, Directed Coolant	566-567
Drill Bushings, EZ Cast	575
Drill Bushings, Gun Drill	580-582
Drill Bushings, Head Liner	559-561
Drill Bushings, Head Press Fit.....	542-546
Drill Bushings, Liner.....	556-558
Drill Bushings, Oil Groove.....	568-570
Drill Bushings, Press Fit	537-541

Drill Bushings, Serrata Groove.....	573
Drill Bushings, Serrated Press Fit	547-548
Drill Bushings, Slip/Fix Renewable	549-553
Drill Bushings, Template.....	576-579
Drill Bushings, Un-A-Lok™ Liner	561
Drill Bushings, Un-A-Lok™ Liner, Diamond Knurl	574
Drill Jig Feet.....	203
Drill Jigs	378-379
Drill-Press Clamps	307-308
Duraclamp Plastic C Clamps.....	305
DVJI	353

E

EB.....	296
EC	615
Eccentric Leveling Lugs.....	212
Eccentric Leveling Lug Covers.....	212
Eccentric Liner	182
Economy Detent Pins	56
Edge Clamps, Cam	269, 436
Edge Clamps, Hydraulic	615
Edge Clamps, Serrated	267-268, 438-439
Edge Clamps, TINY VISE®	257-266
Edge Clamps, Toggle	496-497
Edge Grippers	194
Edge Supports	422
EDP	56
EG.....	194
EHRP	172
Electric Clamps.....	See website
Electric Power Units.....	669-672
ELL.....	212
EP.....	669-672
EX	613-614
EXP.....	58
Expanding Clamps.....	280-281
Expanding Pins.....	58-59
EXPH.....	59
Extending Clamps.....	611-618
Extension Nuts (see Coupling Nuts)	284
Extension Supports.....	417-418
Eye Bolts.....	296
Eye Bolts, Lifting	81
EZ.....	575
EZ Cast Drill Bushings	575
EZ-Torque™ Swivel Hoist Rings.....	76

F

F	62, 693-694, 700, 706-707, 711-714
FAC	236, 307, 436
FACA	236, 307
FAS.....	82
Fast-Lok™ Plate Lifting System	See website
FC	521, 563

FCP	521
FCQA	521
FD	See website
Feet, Double-End Jig	205
Feet, Drill Jig	203
Feet, Jig Leveling	187
Feet, Jig-Leveling Assembly	187
Feet, Leveling	185-187
Feet, Stud Leveling	186
Feet, Swivel Screw	107
Ferrules	62
FFN	284
FGNS	249
FHN	283
FHSS	268
FHW	124
Fifth-Axis (see CL5 [®])	342-363
Filter/Regulators	706
Filters, High-Pressure Inline	708
Finger Handles	125
Finger Pins	125
Fittings, Air & Hydraulic	519, 711-712
Five-Axis Vises	351-354, 654-660
Five-Axis Workholding	342-363, 654-660
Fixture Bases, Blank	327, 335-338, 340, 355-360, 364-366
Fixture Clamps	664-666
Fixture Hose	709
Fixture Keys	229-232
Fixture Keys, Mill	232
Fixture Keys, Pallet	232
Fixture Keys, Reamed-Hole	230
Fixture Keys, Step	229
Fixture Keys, Sure-Lock™	230
Fixture Machining Kits	341
Fixture Plates	327-341, 355-366, 373, 404-409, 412-413
Fixture Plates, Blank	335-337, 355-360, 364-366
Fixture Plates, Carr Lock [®]	335-341
FJN	283
FK	229
FL	709
Flange Nuts	284
Flanged Washers	524
Flat Cast Sections	384
Flat Clamps	563
Flat-Cushion Spindles	521
Flat-Head Socket Screws	263
Flat Milled Renewable Drill Bushings	554
Flat Washers	286
Floating Locating Pins	225
Flow-Control Valves	690-691
FLP	225
FLPS	See website
Fluid, Hydraulic	709
Fluid Pressure Gauges	706
Fluted Knobs	87-88, 124
FM	554-555
FN	284
Foldable Revolving Handles	128

Foot Pumps	676
Forged Adjustable Clamps	236, 307, 436
Forged Anchor Shackles	82
Forged Gooseneck Clamp Straps	249
Forged Rings	82
Forged Straight Clamp Straps	249
Forged U Clamps	254
Four-Prong Knobs	90-97
Four-Sided Tooling Blocks	411
FP	125
FR	82, 706
FRH	128
FRL	706
FRCS	249
FSCS	249
FSS	107
FTS	247, 290
FUC	254
Fully Threaded Studs	290
FW	286

G

GA	706
GAB	380
Gages, Locating	415
Gauges, Hydraulic Pressure	706
GB	300
GBF	197
GBFN	197
GCB	195
GCS	241, 253
GCSA	241, 253
GD	580-582
GDD	582
GDE	582
GDH	582
GDI	581
GDL	580
Glow Wagon Brakes	526
Gooseneck Clamp Straps	241, 249-250, 253, 416
Gripper Contact Bolts	195
Gripper Swivel Contact Bolts	196-197
Gripper Swivel Pads	198-199
Gripper Swivel Screws	200
Grippers	190-200
GSB	197
GSF	200
GSP	198
GSPF	199
GSPN	199
GSPS	199
GSS	200
Guide Blocks	300
Gun Drill Bushings	580-582
Gusseted Angle Brackets	380

H

H	131, 542-544, 709
Half-Turn Screws	104

Halfway Extension Supports	418
Hammers, No-Rebound	312-314
Hammers, No-Mar	256
Hammers, Simplex	309-311
Hand-Knob Assemblies	91-93
Hand Knobs	86-99
Hand Knobs, Fluted	87-88, 124
Hand Knobs, Four-Prong	90-97
Hand Knobs, Star	89
Hand Knobs, T-Handle	99
Hand Knobs, Three-Prong	98
Hand Knobs, Palm Grip	86
Hand Pumps	676
Hand Retractable Plungers	164-171
Hand Retractable Plungers, Extended Locking Version	172
Hand Wheel Handles	125
Hand Wheels	115-124
Hand Wheels, Fluted	124
Hand Wheel Modifications	114
Handles, Adjustable	134-138
Handles, Cam	298
Handles, Crank	131-133
Handles, Finger	125
Handles, Hand Wheel	125-128
Handles, Knob	139-146
Handles, Lever	129
Handles, Palm Grip	143
Handles, Plastic	127-128, 133-135, 139-140, 142-147
Handles, Revolving	126-128
Handles, Revolving Ball	128
Handles, Speed Ball	131
Handles, Solid	125
Handles, T	146
Handles, Tapered	145
HBP	378-379
HBPA	378-379
HBPBK	378-379
HC	642
HCA	642
HDC	480-482
HDLE	See website
HDRP	208
Head Liner Drill Bushings	559-560
Head Press Fit Drill Bushings	542-546
Headed Slotted Locator Bushings	37
Heat-Resistant Bushings	224
Heavy-Duty Ball Lock Pins	46-47
Heavy-Duty Lifting Eyes	See website
Heavy-Duty Rest Pads	208
Heavy-Duty Screw Jacks	211, 425
Heavy-Duty Swivel Hoist Rings	74-76
Heavy-Duty Toggle Clamps	470-473, 480-482
Height Shims	419
Hex Nuts (HN)	283
Hex-Head Cap Screws	415
Hex-Head Spindles	520
HI	See website
High-Pressure Inline Filters	708

High-Rise Clamps	430-432
HILMA Precision Machine Vises	650-651
Hinge Clamps	617-618
Hinged Bushing Plates	378-379
HK.....	90, 96
HKT	91
HL	559
HLD.....	596
HLL.....	596
HM.....	546, 560
HN	283
Hoist Ring Clips	82
Hoist Rings, Pivoting	80
Hoist Rings, Safety	77
Hoist Rings, Shackle.....	See website
Hoist Rings, Side Pull.....	78-79
Hoist Rings, Swivel.....	69-76
Hollow Plunger Clamps	641
Hook Clamps.....	271-273, 435
Horizontal-Handle Toggle Clamps.....	445-454
Horizontal V Blocks.....	424
Hose, Hydraulic	See website
HP	676
HPA.....	676
HR.....	80
HRC	82
HRP	164
HRPK.....	170
HRPM	171
HRPT.....	165
HSLB	37
HTC	445-454
HTCA	308
HTCD.....	308
HTS.....	104
Hubs, Adjustable Locking	386-390
HVTC.....	470-473
HWAF	115
HWAR.....	116, 123
HWAS	119
HWSD.....	122
HWSF.....	115
HWSS.....	117-118, 121, 123
HWTR	120
HWTS.....	117
Hydraulic Clamps	602-666
Hydraulic Cylinders.....	611-642
Hydraulic Fittings & Accessories.....	692-718
Hydraulic Fluid	709
Hydraulic Intensifiers	678
Hydraulic Machine Vises.....	649
Hydraulic Swing Clamps.....	621-630
Hydraulic Valves.....	680-691
Hydraulic Work Supports	644-646

I

IDC	280
ID Clamps	280-281
Index Plungers	173-175
Inline Filters, High-Pressure.....	708

Inserts, Key	316-321
Inserts, Threaded	316-321
Intensifiers, Hydraulic	678-679
Invar Bushings	224

J

Jacks, Screw	210-211, 426-427
Jam Nuts	283
Jaws, Vise.....	652-653, 660
JF	187
JFL	187
Jig Feet, Double-End	205
Jig Feet, Drill.....	204
Jig Feet, Leveling	187
Jig Feet, Leveling Assembly.....	187
Jig Leg Plates.....	208
Jig Pins.....	29
Jig Plates	378-379
Jig Rest Buttons.....	203
JLP	208
JN.....	283
JP	29
JRB.....	203

K

KA	60-61
Key Insert Assortments.....	321
Key Inserts	316-321
Key Rings, Ball Lock	64
Keys, Center Locating	364
Keys, Fixture	229-232
Keys, Locating.....	231, 363
Keys, Mill Fixture	232
Keys, Reamed-Hole Fixture	230
Keys, Step Fixture	229
Keys, Subplate Locating.....	231
Keys, Sure-Lock™ Fixture.....	230
KFW	286
KH.....	144
KHS	105
Kits, Carr Lock® System	324-341
Kits, Clamping.....	301-303
Kits, Modular Fixturing	399-403
Kits, T Nut and Stud	292-293
Kits, T-Slot Bolt	295
KK	110
KN.....	282
Knob-Shoe Assemblies.....	93
Knob Handles	139-146
Knobs, Adjustable Torque	111
Knobs, Ball.....	139-141
Knobs, Bar	97
Knobs, Hand.....	86-99, 103, 105
Knobs, Fluted	86-89, 124
Knobs, Four-Prong	90-97
Knobs, Knurled	102, 110-111, 113
Knobs, Oval Ball.....	140

Knobs, Oval Tapered	142
Knobs, Palm-Grip Hand.....	86
Knobs, Plastic	87-89, 94-95, 98-99, 111
.....	139-140, 142-146
Knobs, Pull	146
Knobs, Quick-Acting.....	97
Knobs, Quick-Acting Knurled.....	112
Knobs, Star	89
Knobs, Tapered	142-145
Knobs, T-Handle.....	146
Knobs, Three-Prong.....	98
Knurled Check Nuts.....	282
Knurled-Face Washers	286
Knurled Head Screws	105
Knurled Knobs	102, 110-113
Knurled Nuts	282
Knurled Screw Jacks	210, 425
Knurled Torque Knobs.....	109, 111
KR	63
KS.....	317, 321
KSA.....	93, 440
KSC.....	321
KSF	321
KSJ.....	210, 425
KSK.....	317
KSM.....	317
KSMC.....	321
KSMT	317-318
KSS	320-321
KSSM	320
KSSS.....	321
KSST.....	318, 320-321
KST	317-319, 321
KTK.....	113

L

L Pins.....	28
L	556-557
Lanyards, Cable	60-61
Lanyards, Nylon	64
Latch-Action Toggle Clamps.....	498-505
Latch Bolts (see Swing Bolts).....	297
Latch Plates.....	499-504
LB.....	210
LCP.....	33
LE.....	81
Leg Plates, Jig	208
Leveling Assemblies, Jig Feet	187
Leveling Feet.....	185-186
Leveling Feet, Jig	187
Leveling Feet, Stud	186
Leveling Lugs, Eccentric.....	212
Lever Bars	130
Lever Handles	129-138
Lever Handle Hubs.....	129
LF	185
LFN.....	185
LFP	52
LFPM	53
LFS.....	185
LHH.....	129

LHRP	168-169
Life-Ex™ Pins	216-217
Lifting Devices	66-82, 717-718
Lifting Eyes	81
Lifting Pins	52-53
Lifting Units	717-718
Linear Actuators	717
Liner Drill Bushings	556-561
Liner Bushings, Carr Lock®	325
Link Clamps	617-618
LL	594
LLP	30
Locating Bolts for Angle Brackets	381
Locating Bushings	414
Locating Buttons, Adjustable	210
Locating Gages	415
Locating Jigs for Lockscrews	562
Locating Keys	231, 363
Locating Keys, Subplate	231
Locating Pins, Diamond	215-222
Locating Pins, Floating	225
Locating Pins, Relieved	193-195, 197, 387, 396-397
Locating Pins, Round	215-225
Locating Pins, Spring	179-182, 427
Locating Screws	414
Locating Tools for Slotted Locator Bushings	38
Locator Bushings, Slotted	36-39
Locator Buttons, Spherical Radius	202
Locator-Nose Clamp Straps	251-252
Locator Template Bushings, Slotted	39
Lock Liners	594, 596-597
Lock Strips	595
Locking Clamping Pins	33
Locking Hubs, Adjustable	386-390
Locking Jig Pins	31
Locking L Pins	30
Locking Locating Screws	34-35
Locking-Pin Bushings	30
Locking T Pins	30
Lockscrews	562-563
Lok-A-Pin® (See Locking L Pins, T Pins, and Clamping Pins)	30-33
LP	28
LPA	502-503
LPB	30
LS	225, 562
LSLJ	562
LSM	562, 595, 597
LSPC	488
LTP	30
LVB	130
LVTC	459, 461, 463, 465, 475

M

Machine Vises	351-354, 648-653
.....	654-662, 664-666
Manifold Mounting	713-714
Manifolds, Hydraulic	706

Manual Work Supports	209, 426
Marine Ball Lock Pins	44-45
Marine Detent Pins	56
MBP	44-45
MDP	56
MFK	232
MF	204-205, 209, 211, 269
.....	272-273, 284, 391-440
Mill Fixture Keys	232
Modular Fixturing	391-440
Modular Lifting Units	717-718
Multipurpose Extension Supports	418
Multipurpose Riser Blocks	416

N

Narrow Riser Blocks	432
NL	64
NMH	256
No-Bounce Hammers	312-314
No-Mar Hammers	314
No-Rebound Hammers	312-314
NRH	312-314
Nuts, Acorn	282
Nuts, Coupling	284
Nuts, Flange	284
Nuts, Hex	283
Nuts, Jam	283
Nuts, Knurled	282
Nuts, Knurled Check	282
Nuts, Spherical	285
Nuts, Swivel	188
Nuts, T	291-293
Nylon Cable Assemblies	60-61
Nylon Cables	60-61
Nylon Lanyards	64

O

OBK	140
Oil Groove Bushings	568-570
On-Size™ Bushings	224
One-Touch Swing Clamps	274-276
Oval Ball Knobs	140
Oval Tapered Knobs	142

P

P	537-539
PA	499-505
Pad Covers, Rubber	185
Pads, Clamp Strap	244, 250
Pads, Construction Ball	228
Pads, Rest	202-208
Pads, Swivel	198-200
Pallet Decouplers	700-704
Pallet Fixture Keys	232
Pallet Tooling Plates	365-366

Palm-Grip Hand Knobs	86
Palm-Grip Handles	143
PB	139-140
PBP	162
PBPN	162
PBPS	162
PBPSN	162
PC	255, 258, 264, 492, 540
PCA	519
PCAV	519
PCBE	519
PCBR	524
PCBT	519
PCCP	519
PCCR	519
PCEM	519
PCHN	519
PCQD	519
PCQDP	519
PCQDS	519
PCSE	519
PCTC	519
PCTE	519
PD	700-701
PDA	700-701
PFK	87-88
PFKC	232
PFKR	232
PGH	143
PH	145
PHK	86
PHR	148
PHRC	148
PHRP	166
PHS	147
PHSC	147
Pilot-Operated Check Valves	689
Pins, Adjustable Ball Lock	48-49
Pins, Alignment	27-64
Pins, Ball Lock	40-52
Pins, Bullet-Nose	222
Pins, Clamping	32-33
Pins, Clevis	299
Pins, Cone Locator	223
Pins, Detent	55-57
Pins, Diamond	216-217
Pins, Diamond Locating	218-221
Pins, Expanding	58-59
Pins, Finger	125
Pins, Floating Locating	225
Pins, Jig	29
Pins, L	28
Pins, Lifting	52
Pins, Quick Release	40-59
Pins, Round	216-217
Pins, Round Locating	218-221
Pins, Shoulder	29
Pins, Spring Locating	179-180
Pins, T	28
Pivot Clamps	613-618
Pivoting Edge Clamps	437
Pivoting Hoist Rings	80
PK	146

PKO.....	146
PKR.....	146
PL.....	507-510
Plain Clamps.....	255
Plastic Balls.....	139-140
Plastic C Clamps, Duraclamp.....	305
Plastic Handles.....	127-128, 133-135, 139-140, 142-147
Plastic Knobs.....	87-88, 94-95, 98-99, 139-140, 142-146
Plate Clamps.....	470-473
Plates, Angle.....	380-382, 385, 409, 413
Plates, Jig Leg.....	208
Plates, Riser.....	412
Plates, Tooling.....	327-341, 355-356, 406-409, 412-413
Platform Tooling Plates.....	408
Pliers, Toggle.....	506-510
PLS.....	506
Plugs, Protection.....	341, 415
Plunger Wrenches.....	159
Plungers, Ball.....	157-158, 160-162
Plungers, Hand-Retractable.....	164-171
Plungers, Index.....	173-175
Plungers, Spring.....	152-155
PM.....	541, 558
Pneumatic Toggle Clamps.....	511-518
Power Toggle Clamps.....	511-518
Power Units.....	669-675
Power Workholding.....	599-720
PPC.....	517-518
PPK.....	94-95
Preset Torque Wrenches.....	341
Press-Fit Ball Plungers.....	162
Press-Fit Drill Bushings.....	537-548
Press-Fit Spring Plungers.....	156
Pressure Gauges, Hydraulic.....	706
Pressure Monitoring.....	706
Pressure-Reducing Valves.....	688
Pressure-Relief Valves.....	690
Pressure Switches.....	705
Protection Plugs.....	341, 415
PS.....	705
PSA.....	705
PSP.....	156
PSPN.....	156
PSPS.....	156
PSPSN.....	156
PTC.....	512-516
PTK.....	142
Pull-Action Toggle Clamps.....	483-495
Pull Clamps.....	640
Pull Knobs.....	146
Pumps, Air.....	673-675
Pumps, Electric.....	669-672
Pumps, Hand.....	676
Pumps, Screw.....	677
Push Clamps, Hydraulic.....	632-636
Push/Pull Toggle Clamps.....	512-516
PVD.....	216-217
PVD-Coated Pins.....	216-217

Q

QAK.....	97
QFP.....	359
QKK.....	111
QRFP.....	356, 358, 360-361
QSC.....	278-280
QSCH.....	276
QSCR.....	274
QSCV.....	275
QTS.....	104
Quarter-Turn Screws.....	104
Quick-Acting Knobs.....	97
Quick-Acting Knurled Knobs.....	111
Quick-Acting Screw Clamps.....	103, 105
Quick-Acting Swing Clamps, One-Touch.....	274-276
Quick-Change Fixturing.....	324-363, 370-374, 654-660
Quick-Change Tooling Plates.....	327-346, 355-362, 372-373
Quick-Change Workholding.....	324-363, 370-374, 654-660
Quick Connects/Disconnects, Power.....	519, 700-701, 703-704, 707
Quick-Release Pins.....	40-52, 55-58
Quintus Fixture Plates.....	358-360
Quick-Ship Drill Bushings.....	535-536
Quintus Riser.....	347-349

R

RB.....	202
RBF.....	350
RBH.....	128
RC.....	562
RCM.....	562
Reamed-Hole Fixture Keys.....	230
Receiver Bushings, Carr Lock®.....	326
Receiver Caps, Ball Lock.....	54
Rectangular Cast Sections.....	383
Rectangular Tooling Plates.....	364, 404-405
Relief Valves.....	690
Renewal Road Plates.....	See website
Rest Buttons.....	202
Rest Buttons, Jig.....	203
Rest Buttons, Screw.....	204
Rest Pads, Heavy-Duty.....	208
Rests, Clamp.....	299
Retracting Clamps.....	611-618
Revolving Ball Handles.....	128
Revolving Handles.....	126-128
Revolving Trunnions.....	385
RFK.....	230
RFP.....	355-357, 361
RG.....	190
RGB.....	192
RGBD.....	192
RGC.....	190
RGD.....	190

RGF.....	191
RGFN.....	191
RGFT.....	191
RGT.....	190
RGU.....	190
RH.....	126-127
RHRP.....	167
Rings, Cable.....	63
Rings, Hoist.....	66-82
Riser Blocks.....	416, 432
Riser Cylinders.....	419
Riser Plates.....	412
Riser, Quick Change.....	349
RK.....	563
RLT.....	220-221
Road Plates.....	See website
Rocker Clamps.....	613-618
Rotary Air Valve Couplings.....	700
Rotary Couplings.....	693-695
Rotary T Nuts.....	293
Rotary T Nuts & Stud Sets.....	293
Rotary Valve Couplings.....	696-698
Round Carbide Pads.....	200
Round Clamps.....	536
Round Grippers.....	172-174
Round Locating Pins.....	218-221
Round Pins.....	216-217
Round Tooling Plates.....	406
RP.....	216-217
RPC.....	185
RPT.....	218-219
RRP.....	See website
RTN.....	293
RTNS.....	293
Rubber Pad Covers.....	185

S

S.....	524
SA.....	433, 520
SAC.....	267, 438
Safety Hoist Rings.....	77
SB.....	297
SBB.....	256
SBC.....	256
SBH.....	131
SBK.....	141
SBP.....	160
SBPN.....	161
SBS.....	256
SC.....	62, 622, 624, 626
SCA.....	239, 622
SCB.....	226
SCC.....	306
SCD.....	621, 624-626
Scissor-Lok™ Plate Lifting System	See website
Screw Clamp Adaptors.....	440
Screw Clamps.....	91-93, 95, 100-111 113, 134-138
Screw Jacks.....	210-211, 425-426
Screw Pumps.....	677

Screw Rest Pads	204, 423	SKSL	318	SRBP	163
Screw Rest Buttons	204	SKSM	318	SS	288, 399-403
Screws, Adjustable Torque Thumb	109	SL	523	SSB	176-178
Screws, Bodies for Swivel	113	SLB	202	SSC	109, 522
Screws, Clamp Rest	299	SLF	186	SSPN	152-155
Screws, Feet for Swivel	106	SLFK	230	SSPS	152-155
Screws, Half Turn	104	SLFN	186	Standard Adjustable Spindles	433
Screws, Knurled Head	105	Slip/Fixed Renewable Bushings	549-553	Star Knobs	89
Screws, Locating	414	SLKD	230	Stark Quick-Change System	370-374
Screws, Quarter Turn	104	SLKR	230	Starter Kits, Carr Lock®	324-341
Screws, Shoulder	288	SLLB	36-38	Starter Sets, Modular Fixturing	399-403
Screws, Swivel Head	108	SLLT	38	STC	255
Screws, Thumb, Adjustable Torque	109	Slotted Bushings	36-39	Steel Handles	125-126
SCW	287	Slotted-Heel Clamp Straps	237-242, 428	Step Blocks	255-256
Sections, Cast	383-385	Slotted-Heel Padded Clamp Straps	242	Step Clamps	255-256
Self-Centering Vises	661-662	Slotted Locator Bushings	36-39	Step Fixture Keys	229
Self-Retaining Ball Plunger	163	Slotted Locator Template Bushings	39	Straddle Cam-Clamp Assemblies	241
Sequence Valves	686-687	SLP	179, 182	Straight Index Plungers	173-175
Serrata Groove Drill Bushings	573	SLPE	182	Strap Clamps	237-256
Serrated Adjustable		SLPP	181-182	Stud Leveling Feet	186
Edge Clamps	267, 439-440	SLPR	182	Studs	289-290
Serrated Edge Clamps	267-269, 439-440	SLPS	180	Subplates	327-334, 339, 361-362, 372
Serrated Face Washers	286	SLPT	181	Subplate Locating Keys	231
Serrated Fixed Edge Clamps	268	SLTB	39	Super Coil™	
Serrated Press Fit Drill Bushings	547-548	SN	188	Swivel Hoist Ring	See website
SF	549-551	SNW	285	Support Cylinders	420-421
SFC	268, 438, 552	Socket-Head Cap Screws	414	Support Riser Blocks	416
SFK	229	Soft-Face Punches	314	Supports, Edge	422
SFM	553	Solenoid Valves	683	Supports, Extension	417-418
SFP	314	Solid Handles	125	Sure-Lock™ Fixture Keys	230
SG	193, 573	SP	29, 547, 677	SW	285, 330
SGB	192	SPA	188	SWA	278-279
SGC	193	Spacer Blocks	432	SWHA	251
SGT	193	Spacer Shims (see Height Shims)	419	SWIFTSURE	
SH	125	SPC	483-491	Power Workholding	602-718
SHA	238	Speed-Ball Handles	131	Swing Bolts	297
Shackle Hoist Rings	See website	SPF	189	Swing C Clamps	306
Shackle Pins (see Lifting Pins)	52	SPFN	189	Swing C Washers	287
Shackles	82	SPG	300	Swing-Clamp	
Shark Clamps	304	SPH	309-310	Assemblies	278-279, 434-435
SHCS	414	Spherical Nuts and Washers	285	Swing Clamps, Air	619-620
Shims, Height	419	Spherical-Radius Locator Buttons	202	Swing Clamps, Hydraulic	621-630
SHKT	92	Spherical Trunnions	383	Swing Clamps, Manual	274-276
SHPA	242	Spherical Washers	285	278-279, 434-435
Shoulder Construction Balls	226-228	SPHR	78-79	Swing Clamps, One-Touch	274-276
Shoulder Pins	29	Spindles, Toggle Clamp	520-523	Switches, Pressure	705
Shoulder Screws	288	Spin-N-Lok™		Swivel Contact Bolts	198, 205, 433, 715
Shoulder Support Cylinders	421	Swivel Hoist Ring	See website	Swivel-Foot Spindles	522
SHR	69-77	SPM	548	Swivel-Head Screws	108
SHRB	69-71, 74-75, 77	SPN	153-155	Swivel-Heel Clamp Straps	251
SHRK	304	Spring-Loaded Spindles	523	Swivel Hoist Rings	69-76
SHS	108, 440	Spring Locating Pins	179-182	Swivel Nuts	188
Shutoff Valves	690	Spring Plungers	152-155	Swivel Pads	188
Side-Pull Hoist Rings	78-79	Spring-Plunger Wrenches	159	Swivel Pad Feet	189
Simplex Hammers	309-310	Spring-Stop Buttons	176-178, 427	Swivel Pads, Gripper	198-199
SIP	173-175	Springs, Clamp	300	Swivel Screw Bodies	106
SIPB	173-175	SPS	152-155	Swivel Screw Clamps	109
SK	89	SPW	159	Swivel Screw Feet	107
SKA	60-61	Square Cast Sections	377	Swivel Screws, Gripper	200
SKR	63	Square Grippers	193-194	Swivel-Washer Hand Knob	
SKS	318-319, 321	Square Pallet Tooling Plates	365, 407	Assemblies	92
SKSC	321	SRB	204		

System Kit, Carr Lock®	324-341
T	
T	709
T Bolts	295
T Cast Sections	384
T Handles	146
T Handle Knobs	99
T Nut and Stud Sets	292-293
T Nuts	291
T Nuts, Rotary	293
T Pins	28
T-Slot Bolt Kits	295
T-Slot Bolts	295
T-Slot Cleaners	292
TAPK	143
Tapered Handles	145
Tapered Index Plungers	173-175
Tapered Knobs	142-145
Tapered-Nose Clamp Straps	246
Taper-Lok Bushings (See Air Feed Bushings)	593-597
Taper-Lok Air-Feed Lockscrews	595
Taper-Lok Liners	596
Tapped-Heel Clamp Straps	243-252
Tapped-Heel Padded Clamp Straps	248
TB	294, 576-577, 632-635
TBA	632-635
TBC	703
TBCH	704
TBT	See website
TC	447, 453, 476-479
TC	See website
TCA	See website
TDP	57
Template Bushings	576-579
Tenons (See Fixture Keys)	229
TERM	62
Terminals	62
TH	146
THA	244
THPA	248
Threaded-Body Push Clamps	632-633
Threaded-Body Work	
Supports	644-646
Threaded Detent Pins	57
Threaded Inserts	316-321
Threaded Inserts, Weld In	See website
Threaded Push Clamps	631-635
Threaded Template Bushings	578-579
Three-Prong Knobs	98
Thumb Screws	102, 104, 108-113
Thumb Screws,	
Adjustable Torque	112
TINY VISE® Edge Clamps	257-266
TIP	173-175
TIPB	173-175
TK	99
TL	383-384, 710

TLD	596
TLL	595
TN	291
TNH	292-293
TNS	292
Toe Clamps	258-267, 436-439, 615
Torque Wrenches	341
Toggle Clamp Accessories	520-524
Toggle Clamp Adaptors	308
Toggle Clamps	441-524
Toggle Clamps,	
Self-Adjusting	452, 469, 497
Toggle Clamps, with Safety Lock	459, 461, 463, 465, 475, 485, 493
Toggle Edge Clamps	496-497
Toggle Pliers	506-510
Toggle Push Clamps	483-495
Tooling-Ball Pads	228
Tooling Balls	226-227
Tooling Blocks, Four-Sided	369, 411
Tooling Blocks, Two-Sided	339, 367, 410
Tooling Plates, Angle	409
Tooling Plates, Platform	408
Tooling Plates, Quick-Change	324-363
Tooling Plates, Rectangular	328-337, 340, 359, 364, 366
Tooling Plates, Round	344-345, 355-358, 360-361, 406
Tooling Plates, Square Pallet	365, 407
Tooling Plates, Vertical	340
Toolroom Starter Sets,	
Modular Fixturing	399-403
Tools, Cable Crimping	63
Tools, Key Insert	316-321
Tools, Spring Locating Pin	181
Tools, Tubing	710
Torque Screw Jacks	210, 426
Torque Thumb Screws, Adjustable	109
Torque Wrenches	341
TP	28
TPC	494-495
TPK	98
TR	385
Trunnions	384-385
Trunnions, Spherical	383
TS	112
TSA	112
TSB	112, 295, 440
TSBK	295
TSC	109
TSCL	292
TSD	112
TSJ	210, 426
TSJN	282, 425
TSKS	319
TSKSL	319
TSTB	339, 367, 400
TTB	578
TTBF	579
TTBT	579
TTR	578-579
Tubing Clamps	710

Tubing, Hydraulic	709-710
Tubing Tools	710
TV	259, 265-266
TVLP	260
TVM	262-263
TVMC	262-263
TVMN	262-263
TVMS	262-263
TVR	261, 266
TW	524, 562
Two-Sided Tooling Blocks	339, 367, 400

U

U Clamps, Forged	254
U Cast Sections	376
UL	561
ULD	574
ULDM	574
ULM	561
ULR	See website
ULT	561
Universal Lifting Rings	See website
Un-A-Lok® Liner Bushings	561
Un-A-Lok® Liner Bushings,	
Diamond Knurl	574
Universal Cylinders	638-639
Up-Thrust Clamps	277, 434

V

V	682-691, 696-699, 708
V Blocks	377, 423-424
V Cast Sections	377
VA	686-687
VAC	254
VCC	468
Valves, Air	519
Valves, Clamping	680-684
Valves, Hydraulic	680-684
Vertical-Handle Toggle	
Clamps	455-482
Vertical Tooling Plates	340
Vertical V Blocks	423
Vise Jaws	353, 652-653, 660
Vises, Machine	351-354, 648-662, 664-666
Vises, Power	351-354, 648-662, 664-666
Vises, Self-Centering	661-662
VS	651, 657-658, 661
VSA	651-653, 657, 659-660, 662
VTC	457-467
VTCA	308
VTCD	308
VTD	308

W

Washers, C	287
------------------	-----

Washers, Flanged	524
Washers, Flat	286
Washers, Knurled Face	286
Washers, Serrated Face	286
Washers, Spherical	285
Washers, Swing C	287
Weld-In Threaded Inserts	See website
Wheels, Hand	114-124
Wide-Nose Clamp Straps	247
Work Supports, Hydraulic	644-646
Work Supports, Manual	209, 426
Wrenches, Spring-Plunger	159
WS	644-646
WTI	See website

Z

Zero-Point Quick-Change System	370-374
--------------------------------------	---------

0

0001	415
01XX	364
01XX	404-405
03XX	406
04XX	409, 413
05XX	413
06XX	410
07XX	411
08XX	365-366
08XX	407-408
09XX	410

1

1XX	284-285, 287
100X	437
110X	437
11XXX	290
11XXX	585
12XX	440
12XXX	586-587
13XXX	588-589
14XX	416
1444X	596-597
14XXX	590-592
14X	285
15X	285
15XX	434
15XXX	592-593
165XX	595-597
16XXX	110
17XXX	239
18XXX	245, 247
190X	430
199XX	595

2

2XX	286, 292
20XX	430-431
20XXX	248
21XXX	585
210X	431
22XXX	236, 586-587
220X	431
23XX	432
23XXX	102
23XXX	588-589
24XXX	590-591
240X	432
25X	286
25XXX	592-593
250X	205
250X	433
26X	286
260X	433
26XXX	202
27XX	242
28XX	242
29XX	242

3

30XX	242
31XX	247
31XX	420-421
32XX	247
320X	421
33XX	247
330X	417
34XX	247
340X	211
340X	425
350X	211
350X	425
360X	418
370X	422
380X	422
390X	427

4

4XXX	248
40XX	248
41XX	248
42XX	248
43XX	414-415
44XX	231
44XXX	249
450X	415
460X	415
47XX	418
480X	204
480X	423

5

50XX	272
50XX	435
510X	271
510X	435
520X	419
530X	277
530X	434
56XX	269
56XX	436
570X	209
570X	426
58XX	271

6

600X	424
610X	423

7

7XXX	419
------------	-----

NOTE: Page references within text are labeled with **INFO+** for your convenience.

GENERAL INFORMATION

ORDERING INFORMATION:

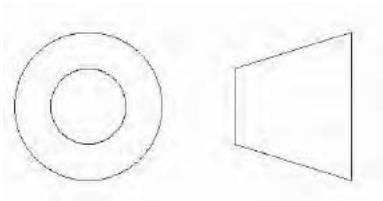
Carr Lane Manufacturing products are sold by authorized distributors located throughout North America and the rest of the world. Please see our website or contact us for the name of our qualified stocking distributor nearest you. For technical information, contact our factory engineering staff at 314-647-6200 (1-800-827-2526 for power workholding technical information).

SPECIALS:

Carr Lane Manufacturing will gladly make any special tooling components or company tooling standards to your specifications. Please send a print or sketch with your request. Our wide range of manufacturing capabilities allows us to quickly produce special items for you at economical prices.

DIMENSIONS AND TOLERANCES:

All drawings in this catalog are shown in Third-Angle Projection:



In general, the following maximum tolerances apply to dimensions in this catalog, unless otherwise specified:

.xxx ±.005

.xx ±.020

.x ±.050

Fractions ± 1/32

Castings, forgings, molded plastics, and assemblies ± 1/8

FINISH SPECIFICATIONS:

The finishes shown in this catalog are applied according to the following specifications:

Black Oxide—MIL-C-13924C

Zinc Plate Yellow Chromate

Zinc Plate Clear Chromate

Cadmium Plate—QQ-P-416, Class 3, Type 1

Black Anodize—MIL-A-8625, Type II, Class 2

Other finishes are available as specials.

ANSI & TCMAI STANDARDS:

Whenever appropriate, our tooling components meet the standards of the American National Standards Institute (ANSI) and the Tooling Component Manufacturers Association International (TCMAI).

TRADEMARKS:

Numerous trademarks appear throughout this catalog. Delrin® and Zytel® are registered trademarks of E.I. du Pont de Nemours & Co. HAAS® is a registered trademark of Haas Automation Inc. Heavy Duty® Hoist Ring is a registered trademark of ADB. Invar36® is a registered trademark of Carpenter Technology Corporation. All other trademarks contained herein are those of Carr Lane Mfg. Co. and its affiliates.

ENGINEERING CHANGES:

All Carr Lane Manufacturing products are continually subject to possible design improvements. We include any engineering changes as soon as possible in our catalogs, tracing templates, CAD tooling libraries, and other literature. However, due to inevitable time lags, dimensions and specifications are subject to change without notice.

GUARANTEE OF QUALITY:

Carr Lane Manufacturing warrants that the products described herein will be free from defects in material and workmanship. If you find any failure to conform to this warranty within 90 days from date of receipt of the product, and give us immediate notification thereof, we will replace the defective product or make suitable repairs. If we are unable to correct such nonconformity by replacing the product or making suitable repairs, whether due to the nature of such nonconformity, your use of the product, or for any other reason, we will refund the purchase price upon receipt of the nonconforming product f.o.b. our plant. No product should be returned to us without a return-authorization number. In no event shall we be liable either directly or by way of contribution or indemnity, for direct, special, incidental or consequential damages such as, but not limited to, property damage, loss of profit, or damages based on loss of use of the product, whether the claim for any such damages be based on warranty, express or implied, contract, tort, or otherwise. This warranty does not apply to products that are misapplied, altered, or abused. The foregoing is our sole warranty with respect to the product. We make no other warranties, express or implied, including implied warranties of merchantability and fitness for a particular purpose.

SAFETY PRECAUTIONS:

Machine tools pose many potential hazards. Observe all appropriate safety precautions, including those specifically listed in this catalog.

ALIGNMENT PINS

1



L Pins, T Pins, and Jig Pins



Clamping Pins



Slotted Locator Bushings



Ball Lock Pins



Detent Pins



Expanding Pins



Cable

L & T PINS

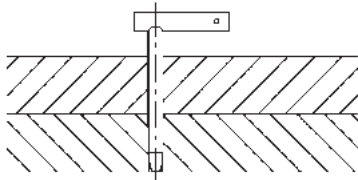
PIN: 12L14 STEEL, CARBURIZED-HARDENED, BLACK OXIDE FINISH
HANDLE: 12L14 STEEL, BLACK OXIDE FINISH

1

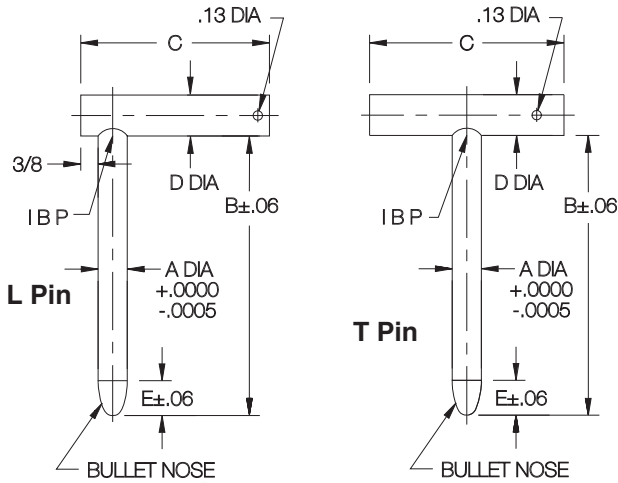


L Pin

T Pin



L and T Pins are removable locating pins, precision ground for accurately aligning holes. The pin is inset in the handle and silver soldered to create a sturdy assembly. The handle is drilled for attaching a cable.



L Pin

T Pin



To order L or T Pins with a standard 10-12" cable assembly attached, add "-C" to the part number. (CL-2-C cable with a terminal for #10-32 or M5 attachment screw).
Example: CL-7-LP-C

INCH

L PIN PART NO.	T PIN PART NO.	A DIA		B	C	D DIA	E
		NOMINAL	ACTUAL				
CL-0-LP	CL-0-TP	1/8	.1250	2-1/2			
CL-41-LP	CL-41-TP	#30	.1285	3	1-1/2	1/4	1/4
CL-00-LP	CL-00-TP	5/32	.1562	3-1/2			
CL-1-LP	CL-1-TP			3			
CL-21-LP	CL-21-TP	3/16	.1875	4			
CL-2-LP	CL-2-TP			6			
CL-3-LP	CL-3-TP			3	2-1/2	5/16	1/4
CL-23-LP	CL-23-TP	#11	.1910	4			
CL-4-LP	CL-4-TP			6			
CL-43-LP	CL-43-TP	#10	.1935	3			
CL-20-LP	CL-20-TP	#9	.1960	3			
CL-44-LP	CL-44-TP	7/32	.2188	3			
CL-38-LP	CL-38-TP			2			
CL-5-LP	CL-5-TP			3			
CL-25-LP	CL-25-TP	1/4	.2500	4	2-1/2	3/8	3/8
CL-6-LP	CL-6-TP			6			
CL-17-LP	CL-17-TP			3			
CL-37-LP	CL-37-TP	F	.2570	4			
CL-45-LP	CL-45-TP	9/32	.2812	4	3		
CL-39-LP	CL-39-TP			2	2-1/2		
CL-7-LP	CL-7-TP			3-1/2		7/16	1/2
CL-27-LP	CL-27-TP	5/16	.3125	4	3		
CL-8-LP	CL-8-TP			6			
CL-40-LP	CL-40-TP			3	2-1/2		
CL-9-LP	CL-9-TP			4			
CL-29-LP	CL-29-TP	3/8	.3750	5	3-1/2	1/2	1/2
CL-10-LP	CL-10-TP			6			
CL-30-LP	CL-30-TP			7			
CL-11-LP	CL-11-TP			4			
CL-31-LP	CL-31-TP	7/16	.4375	5	3-1/2	9/16	5/8
CL-12-LP	CL-12-TP			6			
CL-32-LP	CL-32-TP			7			
CL-13-LP	CL-13-TP			4			
CL-14-LP	CL-14-TP	1/2	.5000	6	3-1/2	5/8	5/8
CL-33-LP	CL-33-TP			7			
CL-34-LP	CL-34-TP			9			
CL-18-LP	CL-18-TP	9/16	.5625	4			
CL-19-LP	CL-19-TP			6			
CL-15-LP	CL-15-TP	5/8	.6250	6	3-1/2	7/8	3/4
CL-35-LP	CL-35-TP			8			
CL-16-LP	CL-16-TP	3/4	.7500	6			
CL-36-LP	CL-36-TP			8			

METRIC

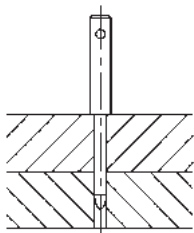
CLM-4-LP	CLM-4-TP	4mm	.1575	3-1/2			
CLM-5-LP	CLM-5-TP			3	2-1/2	5/16	3/16
CLM-50-LP	CLM-50-TP	5mm	.1969	6			
CLM-6-LP	CLM-6-TP	6mm	.2362	3	2-1/2	3/8	1/4
CLM-60-LP	CLM-60-TP			6			
CLM-8-LP	CLM-8-TP	8mm	.3150	3-1/2	3	7/16	7/16
CLM-80-LP	CLM-80-TP			6			
CLM-10-LP	CLM-10-TP	10mm	.3937	3	2-1/2	1/2	7/16
CLM-100-LP	CLM-100-TP			6	3-1/2		
CLM-12-LP	CLM-12-TP	12mm	.4724	4	3-1/2	5/8	7/16
CLM-120-LP	CLM-120-TP			6			
CLM-16-LP	CLM-16-TP	16mm	.6299	6			
CLM-160-LP	CLM-160-TP			8	3-1/2	7/8	11/16
CLM-20-LP	CLM-20-TP	20mm	.7874	6			
CLM-200-LP	CLM-200-TP			8			

SHOULDER PINS

PIN: 12L14 STEEL, CARBURIZED-HARDENED, BLACK OXIDE FINISH
HANDLE: 12L14 STEEL, BLACK OXIDE FINISH



Removable locating pin with a straight handle, precision ground for accurately aligning holes. The handle is drilled for attaching a cable.



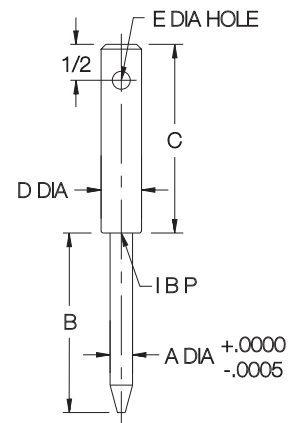
To order Shoulder Pins with a standard 10-12" cable assembly attached, add "-C" to the part number. (CL-2-C cable with a terminal for #10-32 or M5 attachment screw).
Example: CL-7-SP-C

INCH

PART NO.	A DIA		B	C	D DIA	E DIA
	NOMINAL	ACTUAL				
CL-7-SP	1/4	.2500	2-1/2	2-5/8	1/2	1/4
CL-10-SP	5/16	.3125			9/16	
CL-14-SP	3/8	.3750	4	5/8	1/4	
CL-19-SP	1/2	.5000	3	3/4	5/16	

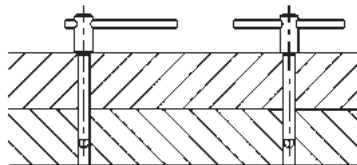
METRIC

CLM-6-SP	6mm	.2362	2.56	2.6	1/2	1/4
CLM-8-SP	8mm	.3150			9/16	
CLM-10-SP	10mm	.3937	3.94	5/8	1/4	
CLM-12-SP	12mm	.4724	2.95	3/4	5/16	



JIG PINS

PIN: 1144 STEEL, HEAT TREATED, BLACK OXIDE FINISH
HANDLE: SPRING STEEL, BLACK OXIDE FINISH

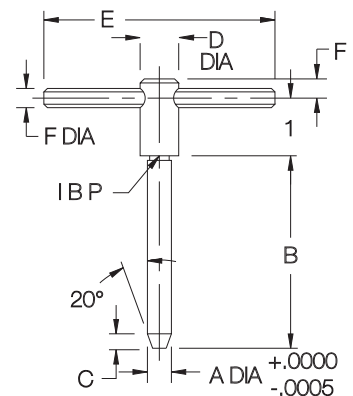


INCH

PART NO.	A DIA		B	C	D DIA	E	F
	NOMINAL	ACTUAL					
CL-10-JP	3/16	.1872	1-7/8	1/8	3/8	2	3/16
CL-20-JP	1/4	.2497	2	5/32	1/2	3	1/4
CL-30-JP	5/16	.3120	2-1/2	3/16	1/2	3	1/4
CL-40-JP	3/8	.3745	3-1/4	1/4	9/16	3	1/4
CL-50-JP	1/2	.4995	4	9/32	9/16	3	1/4

METRIC

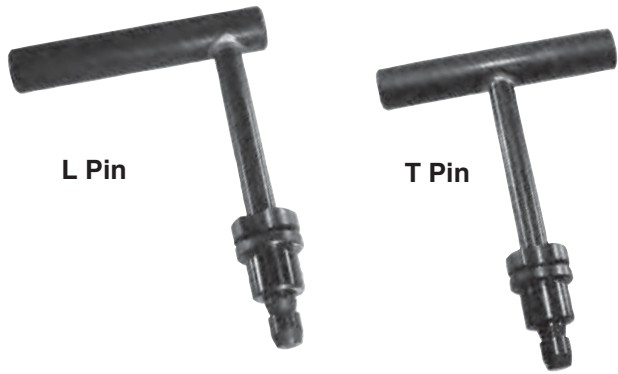
CLM-5-JP	5mm	.1966	1-7/8	1/8	3/8	2	3/16
CLM-6-JP	6mm	.2359	2	5/32	1/2	3	1/4
CLM-8-JP	8mm	.3145	2-1/2	3/16	1/2	3	1/4
CLM-10-JP	10mm	.3932	3-1/4	1/4	9/16	3	1/4
CLM-12-JP	12mm	.4719	4	9/32	9/16	3	1/4



Similar to L and T Pins, but with a shoulder to keep the handle raised. Pins are ground slightly undersize. To convert from an L handle to a T handle, slide the roll-pin handle by tapping it with a hammer.

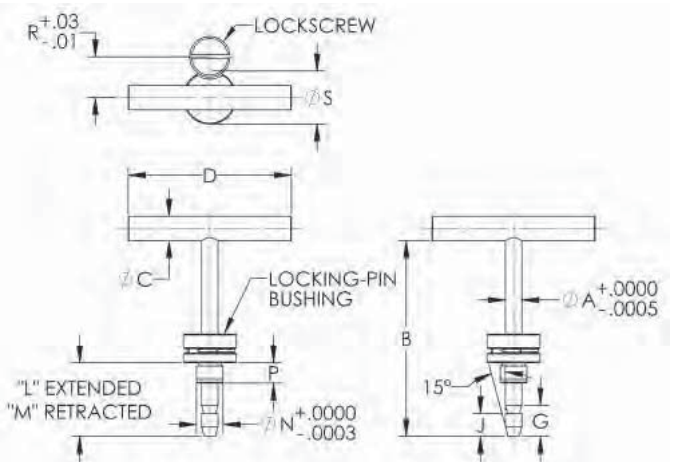
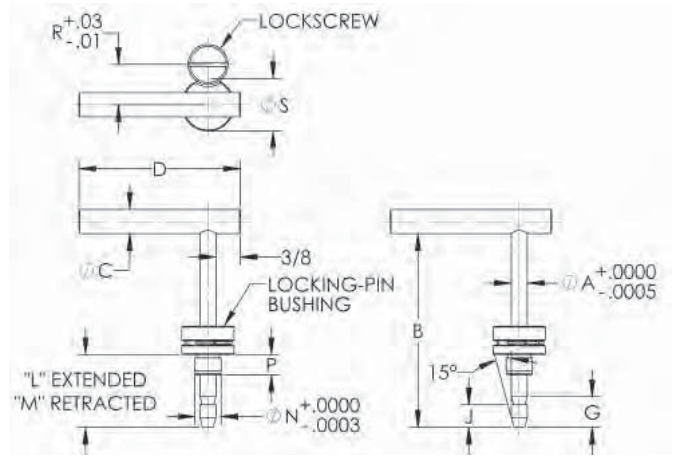
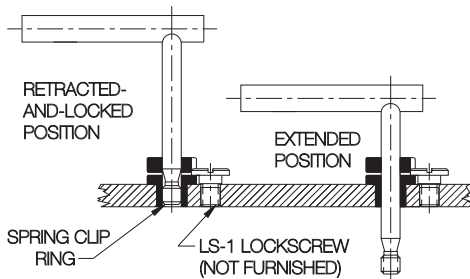
LOCKING L & T PINS

PIN: 12L14 STEEL, CARBURIZED-HARDENED, BLACK OXIDE FINISH
 HANDLE: 12L14 STEEL, BLACK OXIDE FINISH
 BUSHING: 8620 STEEL, CASE HARDENED, BLACK OXIDE FINISH



Similar to a standard L Pin or T Pin, except that the pin body is positively retained in a locking bushing. In fully retracted position, the bushing's spring clip snaps into the pin's radial groove. This holds the pin fully retracted by spring force and positively prevents removal. Spring pressure also holds the pin in intermediate extended positions, an advantage especially if the fixture is turned upside down. Available in pin diameters from 3/16 to 1/2" (6 to 12mm in metric), most in a choice of several pin lengths.

Locking-Pin Bushings are designed to press fit in a standard reamed hole. Secure with the included Lockscrew to positively hold the bushing in place. Shorter or longer bushings are available in most sizes, for thinner or thicker plates.



COMPLETE ASSEMBLY (INCH)

COMPLETE ASSEMBLY PART NO.		A DIA		B	C DIA	D	G	J	L	M	N DIA			P	R	S	PIN (INCLUDED)		BUSHING (INCLUDED)	LOCKSCREW (INCLUDED)
LOCKING L PIN	LOCKING T PIN	NOMINAL	ACTUAL								NOMINAL	ACTUAL	P				R	S		
CL-1A-LLP-B	CL-1A-LTP-B	3/16	.1865	1-1/2	5/16	2-1/2	.47	.35	1	.20	13/16	.4078	.31	.62	13/16	CL-1A-LLP	CL-1A-LTP	CL-3-LPB	LS-1	
CL-1-LLP-B	CL-1-LTP-B			3					2-1/2											
CL-38-LLP-B	CL-38-LTP-B	1/4	.2490	2	3/8	2-1/2	.47	.35	1-1/2	.20	13/16	.4078	.31	.62	13/16	CL-38-LLP	CL-38-LTP	CL-4-LPB	LS-1	
CL-5-LLP-B	CL-5-LTP-B			3					2-1/2											
CL-25-LLP-B	CL-25-LTP-B	5/16	.3115	4	5/8	3	.47	.35	3-1/2	.20	1/2	.5017	.37	.62	13/16	CL-25-LLP	CL-25-LTP	CL-5A-LPB	LS-1	
CL-39-LLP-B	CL-39-LTP-B			2					1-1/2											
CL-7-LLP-B	CL-7-LTP-B	3/8	.3740	3-1/2	5/8	3-1/2	.47	.35	3	.20	5/8	.6267	.50	.62	13/16	CL-7-LLP	CL-7-LTP	CL-6A-LPB	LS-1	
CL-8-LLP-B	CL-8-LTP-B			6					5-1/2											
CL-40A-LLP-B	CL-40A-LTP-B	1/2	.4990	2	5/8	3-1/2	.47	.35	1-1/2	.20	3/4	.7518	.75	.75	1-1/16	CL-40A-LLP	CL-40A-LTP	CL-8A-LPB	LS-1	
CL-9-LLP-B	CL-9-LTP-B			4					3-1/2											
CL-10-LLP-B	CL-10-LTP-B	1/2	.4990	6	5/8	3-1/2	.47	.35	5-1/2	.20	3/4	.7518	.75	.75	1-1/16	CL-10-LLP	CL-10-LTP	CL-8A-LPB	LS-1	
CL-13A-LLP-B	CL-13A-LTP-B			2					1-1/2											
CL-13-LLP-B	CL-13-LTP-B	1/2	.4990	4	5/8	3-1/2	.47	.35	3-1/2	.20	3/4	.7518	.75	.75	1-1/16	CL-13-LLP	CL-13-LTP	CL-8A-LPB	LS-1	
CL-14-LLP-B	CL-14-LTP-B			6					5-1/2											

COMPLETE ASSEMBLY (METRIC)

CLM-6-LLP-B	CLM-6-LTP-B	6mm	.2352	3	3/8	2-1/2	.47	.35	2-1/2	.20	10mm	.3952	.31	.630	.87	CLM-6-LLP	CLM-6-LTP	CLM-6-LPB	LSM-3
CLM-8-LLP-B	CLM-8-LTP-B	8mm	.3140	3	7/16	3	.47	.35	2-1/2	.20	13mm	.5135	.39	.630	.87	CLM-8-LLP	CLM-8-LTP	CLM-8-LPB	LSM-3
CLM-10-LLP-B	CLM-10-LTP-B	10mm	.3927	3	1/2	3-1/2	.47	.35	2-1/2	.20	16mm	.6316	.47	.630	.87	CLM-10-LLP	CLM-10-LTP	CLM-10-LPB	LSM-3
CLM-12-LLP-B	CLM-12-LTP-B	12mm	.4715	4	5/8	3-1/2	.47	.35	3-1/2	.20	20mm	.7892	.71	.709	1.02	CLM-12-LLP	CLM-12-LTP	CLM-12-LPB	LSM-3

CAPTIVE JIG PINS

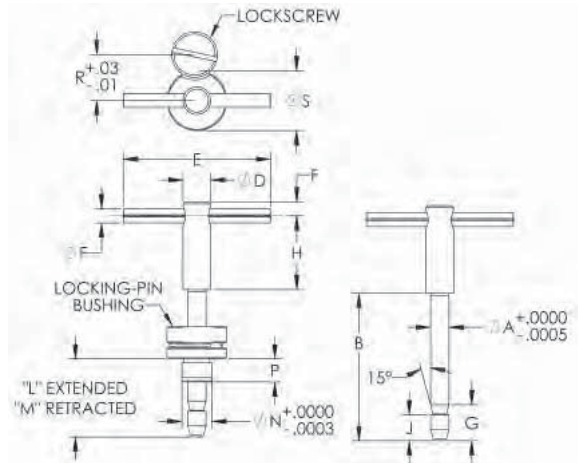
PIN: 1144 STEEL, HEAT TREATED, BLACK OXIDE FINISH
 HANDLE: SPRING STEEL, BLACK OXIDE FINISH
 BUSHING: 8620 STEEL, CASE HARDENED, BLACK OXIDE FINISH



New Item!

Similar to a standard Jig Pin, except that the pin body is positively retained in a locking bushing. In fully retracted position, the bushing's spring clip snaps into the pin's groove. This holds the pin fully retracted by spring force and positively prevents removal. Spring pressure also holds the pin in intermediate extended positions, an advantage especially if the fixture is turned upside down. Like standard Jig Pins, Captive Jig pins have an integral shoulder to keep the handle raised. Available in pin diameters from 3/16 to 1/2". Made in USA.

Locking-Pin Bushings are designed to press fit in a standard reamed hole. Secure with the included Lockscrew to positively hold the bushing in place. Shorter or longer bushings are available in most sizes, for thinner or thicker plates.

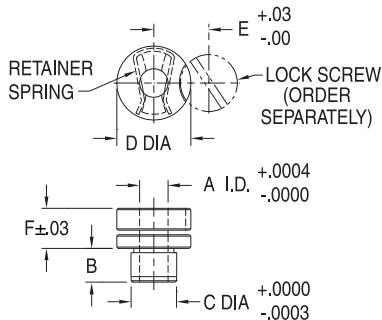


COMPLETE ASSEMBLY (INCH)

PART NO.	A DIA		B	C	D DIA	E	F	G	H	J	L	M	N DIA		P	R	S DIA	JIG PIN (INCLUDED)	BUSHING (INCLUDED)	LOCKSCREW (INCLUDED)
	NOMINAL	ACTUAL											NOMINAL	ACTUAL						
CL-1-CJPA	3/16	.1872	1-7/8	.35	3/8	2	3/16	.49	1	.35	1.40	.20	13/32	.4078	.31	.62	13/16	CL-1-CJP	CL-3-LPB	LS-1
CL-2-CJPA	1/4	.2497	2	.35	3/8	2	3/16	.49	1	.35	1.60	.20	13/32	.4078	.31	.62	13/16	CL-2-CJP	CL-4-LPB	LS-1
CL-3-CJPA	5/16	.3120	2-1/2	.35	1/2	3	1/4	.49	1	.35	2.10	.20	1/2	.5017	.37	.62	13/16	CL-3-CJP	CL-5A-LPB	LS-1
CL-4-CJPA	3/8	.3745	3-1/4	.35	1/2	3	1/4	.49	1	.35	2.80	.20	5/8	.6267	.50	.62	13/16	CL-4-CJP	CL-6A-LPB	LS-1
CL-5-CJPA	1/2	.4995	4	.35	9/16	3	1/4	.49	1	.35	3.60	.20	3/4	.7518	.75	.75	1-1/16	CL-5-CJP	CL-8A-LPB	LS-1

LOCKING-PIN BUSHINGS

8620 STEEL, CASE HARDENED, BLACK OXIDE FINISH



Locking-Pin Bushings are equipped with a retainer spring clip on the inside diameter. These bushings are used with all types of locking/captive pins and locating screws. Available for pin diameters 3/16 to 1/2" (6 to 12mm in metric). Some bushings are available in a choice of lengths, to suit thinner or thicker plates. Several bushing sizes are optionally available with an oversize ID (.015" larger), for applications with multiple pins where additional clearance is desired to prevent binding. Locking-Pin Bushings are designed to press fit in a standard reamed hole. Secure with a Lockscrew to positively hold the bushing in place – order separately as part number LS-1 (inch) or LSM-3 (metric).

INCH

PART NO.	A DIA		B	C DIA		D DIA	E	F	MATCHING P BUSHING FOR BOTTOM PLATE			
	NOMINAL	ACTUAL		NOMINAL	ACTUAL							
CL-3-LPB	3/16	.1868	.31	13/32	.4078	13/16	.62	.44	P-26-6-.1865			
CL-4-LPB	1/4	.2493	.50									
CL-4A-LPB												
CL-5-LPB	5/16	.3118	.31									
CL-5A-LPB			1/2	.5017	.37							
CL-5B-LPB					.50							
CL-6-LPB	3/8	.3743	.31	5/8	.6267				1-1/16	.75	.44	P-40-8-.3740
CL-6A-LPB			.50									
CL-8-LPB	1/2	.4993	.50	3/4	.7518							
CL-8A-LPB			.75									

METRIC

CLM-6-LPB	6mm	.2355	.31	10mm	.3952	.87	.630	.47	—
CLM-8-LPB	8mm	.3143	.39	13mm	.5135				
CLM-10-LPB	10mm	.3930	.47	16mm	.6316				
CLM-12-LPB	12mm	.4717	.71	20mm	.7892	1.02	.709		—

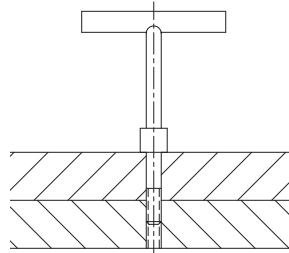
VERSION WITH OVERSIZE ID (INCH)

CL-4-LPB-OS	1/4	.2643	.31	13/32	.4078	13/16	.62	.44	—
CL-5-LPB-OS	5/16	.3268	.31	1/2	.5017	13/16	.62	.44	—
CL-6-LPB-OS	3/8	.3893	.31	5/8	.6267	13/16	.62	.44	—
CL-8-LPB-OS	1/2	.5143	.50	3/4	.7518	1-1/16	.75	.44	—

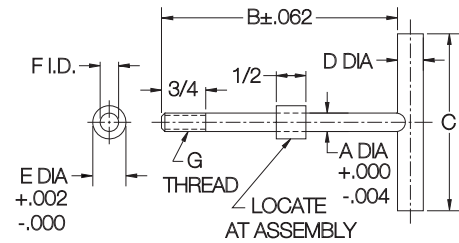
CLAMPING PINS

PIN: 12L14 STEEL, CARBURIZED-HARDENED, BLACK OXIDE FINISH
 BUSHING: 12L14 STEEL, BLACK OXIDE FINISH

1



These threaded alignment pins can be used for locating and clamping, or clamping only, depending on extended screw length. The clamping bushing is furnished separate from the pin, and must be welded in place at the proper length to suit the application. Available in thread sizes from #10-32 to 1/2-13 (M6 to M12 in metric).



INCH

PART NO.	A DIA		B	C	D DIA	E DIA	F DIA	G
	NOMINAL	ACTUAL						
CL-0-CP	#10	.193	3	1-1/2	1/4	3/8	.203	#10-24
CL-0A-CP								#10-32
CL-1-CP	1/4	.250	4	2-1/2	3/8	1/2	.252	1/4-20
CL-2-CP	5/16	.312		3	7/16	9/16	.315	5/16-18
CL-3-CP	3/8	.375	4-1/2	3-1/2	1/2	5/8	.378	3/8-16
CL-4-CP	1/2	.500	5		5/8	3/4	.503	1/2-13

METRIC

CLM-6-CP	6mm	.236	4	2-1/2	3/8	1/2	.252	M6
CLM-8-CP	8mm	.315		3	7/16	9/16	.315	M8
CLM-10-CP	10mm	.394	4-1/2	3-1/2	1/2	5/8	.378	M10
CLM-12-CP	12mm	.472	5		5/8	3/4	.503	M12

LOCKING CLAMPING PINS

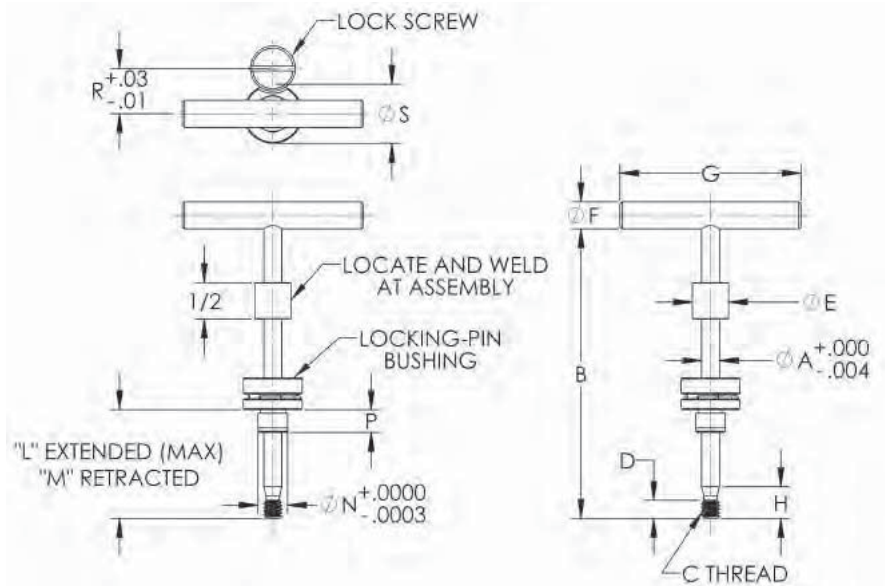
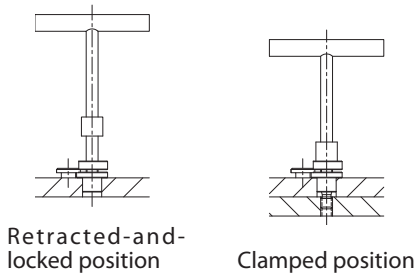
PIN: 12L14 STEEL, CARBURIZED-HARDENED, BLACK OXIDE FINISH
 HANDLE: 12L14 STEEL, BLACK OXIDE FINISH
 BUSHING: 8620 STEEL, CASE HARDENED, BLACK OXIDE FINISH



Locking Clamping Pins are similar to standard Clamping Pins, except that the pin body is positively retained in a locking bushing. In fully retracted position, the bushing's spring clip snaps into the pin's radial groove. This holds the pin fully retracted by spring force and positively prevents removal. Spring pressure also holds the pin in intermediate extended positions, an advantage especially if the fixture is turned upside down.

These threaded alignment pins can be used for locating and clamping, or for clamping only, depending on extended screw length. The upper bushing is furnished separate from the pin, and must be welded in place at the proper length to suit the application. Available in thread sizes from 1/4-20 to 1/2-13 (M6 to M12 in metric).

Locking-Pin Bushings are designed to press fit in a standard reamed hole. Secure with the included Lockscrew to positively hold the bushing in place. Shorter or longer bushings are available in most sizes, for thinner or thicker plates.



COMPLETE ASSEMBLY (INCH)

PART NO.	A DIA		B	C	D	E DIA	F DIA	G	H	L	M	N DIA		P	R	S	CLAMPING PIN (INCLUDED)	BUSHING (INCLUDED)	LOCKSCREW (INCLUDED)
	NOMINAL	ACTUAL										NOMINAL	ACTUAL						
CL-1-LCP-B	1/4	.2490	4	1/4-20	1/4	1/2	3/8	2-1/2	.44	3	.10	13/32	.4078	.31	.62	13/16	CL-1-LCP	CL-4-LPB	LS-1
CL-2-LCP-B	5/16	.3115	4	5/16-18	5/16	9/16	7/16	3	.50	3	.16	1/2	.5017	.37	.62	13/16	CL-2-LCP	CL-5A-LPB	LS-1
CL-3-LCP-B	3/8	.3740	4-1/2	3/8-16	3/8	5/8	1/2	3-1/2	.57	3-1/2	.23	5/8	.6267	.50	.62	13/16	CL-3-LCP	CL-6A-LPB	LS-1
CL-4-LCP-B	1/2	.4990	5	1/2-13	1/2	3/4	5/8	3-1/2	.69	4	.35	3/4	.7518	.75	.75	1-1/16	CL-4-LCP	CL-8A-LPB	LS-1

COMPLETE ASSEMBLY (METRIC)

CLM-6-LCP-B	6mm	.2352	4	M6	.24	1/2	3/8	2-1/2	.43	3	.09	10mm	.3952	.31	.630	.87	CLM-6-LCP	CL-6-LPB	LSM-3
CLM-8-LCP-B	8mm	.3140	4	M8	.31	9/16	7/16	3	.56	3	.16	13mm	.5135	.39	.630	.87	CLM-8-LCP	CL-8-LPB	LSM-3
CLM-10-LCP-B	10mm	.3927	4-1/2	M10	.39	5/8	1/2	3-1/2	.67	3-1/2	.24	16mm	.6316	.47	.630	.87	CLM-10-LCP	CL-10-LPB	LSM-3
CLM-12-LCP-B	12mm	.4715	5	M12	.47	3/4	5/8	3-1/2	.78	4	.32	20mm	.7892	.71	.709	1.02	CLM-12-LCP	CL-12-LPB	LSM-3

CAPTIVE LOCATING SCREWS

SCREW: 12L14 STEEL, CARBURIZED-HARDENED, BLACK OXIDE FINISH
 LOCKING-PIN BUSHING: 8620 STEEL, CARBURIZED-HARDENED, BLACK OXIDE FINISH
 RETAINER CLIP: SPRING STEEL

1

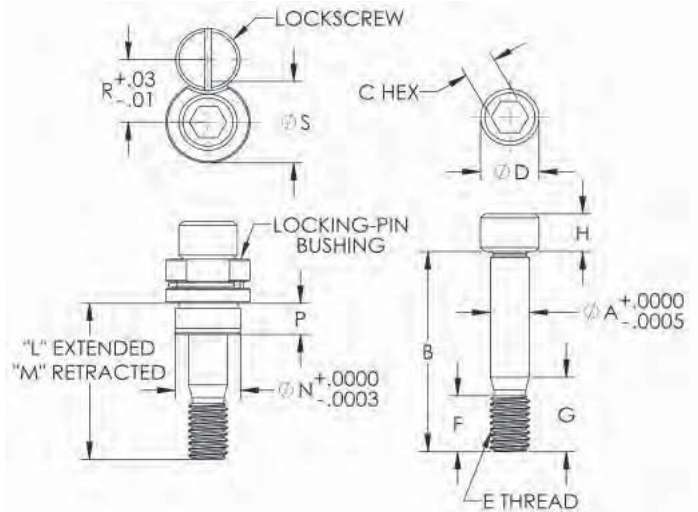
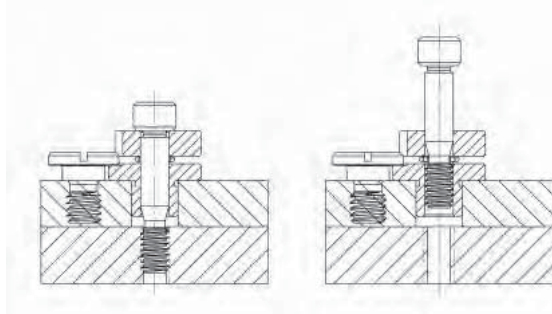


Socket Head

New Item!

Captive Locating Screws can be used for locating and clamping, or for clamping only, by selecting the appropriate screw length. The locating screw's precision-ground body is positively retained in a locking bushing. In fully retracted position, the bushing's spring clip snaps into the body's radial groove. This holds the screw fully retracted by spring force and positively prevents removal. Spring pressure also holds the screw in intermediate extended positions, an advantage especially if the fixture is turned upside down. Available in thread sizes from 1/4-20 to 1/2-13.

Locking-Pin Bushings are designed to press fit in a standard reamed hole. Secure with the included Lockscrew to positively hold the bushing in place. Shorter or longer bushings are available in most sizes, for thinner or thicker plates.



SOCKET HEAD - COMPLETE ASSEMBLY (INCH)

PART NO.	A DIA		B	C	D DIA	E	F	G	H	L	M	N DIA		P	R	S DIA	LOCATING SCREW (INCLUDED)	BUSHING (INCLUDED)	LOCKSCREW (INCLUDED)
	NOMINAL	ACTUAL										NOMINAL	ACTUAL						
CL-4-CLSA-1.25	1/4	.2490	1-1/4	3/16	3/8	1/4-20	.40	.59	1/4	.81	.25	13/32	.4078	.31	.62	13/16	CL-4-CLS-1.25	CL-4-LPB	LS-1
CL-5-CLSA-1.38	5/16	.3115	1-3/8	1/4	15/32	5/16-18	.47	.65	5/16	.94	.32	1/2	.5017	.31	.62	13/16	CL-5-CLS-1.38	CL-5-LPB	LS-1
CL-5-CLSA-1.75			1-3/4							1.31							CL-5-CLS-1.75		
CL-5-CLSA-3.00			3							2.56							CL-5-CLS-3.00		
CL-6-CLSA-1.50	3/8	.3740	1-1/2	5/16	9/16	3/8-16	.56	.75	3/8	1.06	.41	5/8	.6267	.31	.62	13/16	CL-6-CLS-1.50	CL-6-LPB	LS-1
CL-6-CLSA-2.00			2							1.56							CL-6-CLS-2.00		
CL-6-CLSA-3.00			3							2.56							CL-6-CLS-3.00		
CL-8-CLSA-1.50	1/2	.4990	1-1/2	3/8	3/4	1/2-13	.75	.93	1/2	1.06	.60	3/4	.7518	.50	.75	1-1/16	CL-8-CLS-1.50	CL-8-LPB	LS-1
CL-8-CLSA-2.00			2							1.56							CL-8-CLS-2.00		
CL-8-CLSA-3.00			3							2.56							CL-8-CLS-3.00		

CAPTIVE LOCATING SCREWS

SCREW: 12L14 STEEL, CARBURIZED-HARDENED, BLACK OXIDE FINISH
 WASHER: 1010 STEEL, CARBURIZED-HARDENED, BLACK OXIDE FINISH
 LOCKING-PIN BUSHING: 8620 STEEL, CARBURIZED-HARDENED, BLACK OXIDE FINISH
 RETAINER CLIP: SPRING STEEL

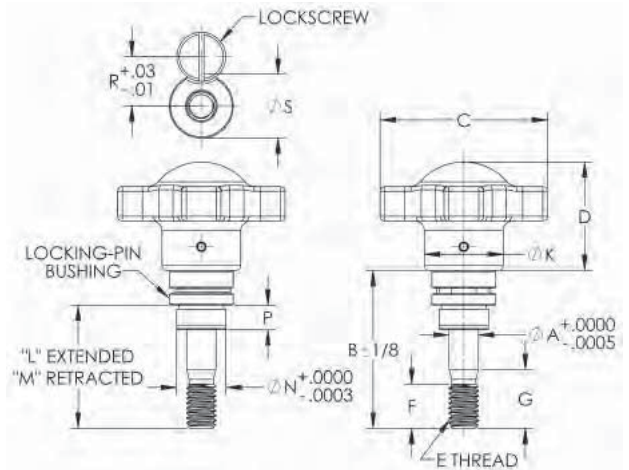
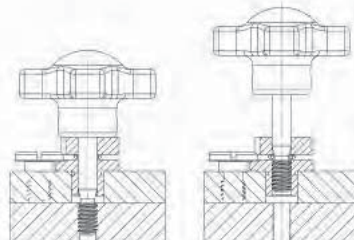
1



Hand Knob



Swivel Washer Hand Knob



HAND KNOB – COMPLETE ASSEMBLY (INCH)

PART NO.	A DIA		B	C	D	E	F	G	K DIA	L	M	N DIA		P	R	S DIA	LOCATING SCREW (INCLUDED)	BUSHING (INCLUDED)	LOCKSCREW (INCLUDED)
	NOMINAL	ACTUAL										NOMINAL	ACTUAL						
CL-4-CLSHA-1.25	1/4	.2490	1-1/4	1.75	1.12	1/4-20	.40	.59	3/4	.81	.25	13/32	.4078	.31	.62	13/16	CL-4-CLSH-1.25	CL-4-LPB	LS-1
CL-5-CLSHA-1.38	5/16	.3115	1-3/8	1.75	1.12	5/16-18	.47	.65	3/4	.94	.32	1/2	.5017	.31	.62	13/16	CL-5-CLSH-1.38	CL-5-LPB	LS-1
CL-5-CLSHA-1.75			1-3/4							1.31									
CL-5-CLSHA-3.00			3							2.56									
CL-6-CLSHA-1.50	3/8	.3740	1-1/2	2.13	1.38	3/8-16	.56	.75	1	1.06	.41	5/8	.6267	.31	.62	13/16	CL-6-CLSH-1.50	CL-6-LPB	LS-1
CL-6-CLSHA-2.00			2							1.56									
CL-6-CLSHA-3.00			3							2.56									
CL-8-CLSHA-1.50	1/2	.4990	1-1/2	2.13	1.38	1/2-13	.75	.93	1	1.06	.60	3/4	.7518	.50	.75	1-1/16	CL-8-CLSH-1.50	CL-8-LPB	LS-1
CL-8-CLSHA-2.00			2							1.56									
CL-8-CLSHA-3.00			3							2.56									

SWIVEL WASHER HAND KNOB – COMPLETE ASSEMBLY (INCH)

PART NO.	A DIA		B	C	D	E	F	G	K DIA	L	M	N DIA		P	R	S DIA	LOCATING SCREW (INCLUDED)	BUSHING (INCLUDED)	LOCKSCREW (INCLUDED)
	NOMINAL	ACTUAL										NOMINAL	ACTUAL						
CL-4-CLSSHA-1.25	1/4	.2490	1-1/4	1.75	1.33	1/4-20	.40	.59	3/4	.81	.25	13/32	.4078	.31	.62	13/16	CL-4-CLSSH-1.25	CL-4-LPB	LS-1
CL-5-CLSSHA-1.38	5/16	.3115	1-3/8	1.75	1.34	5/16-18	.47	.65	3/4	.94	.32	1/2	.5017	.31	.62	13/16	CL-5-CLSSH-1.38	CL-5-LPB	LS-1
CL-5-CLSSHA-1.75			1-3/4							1.31									
CL-5-CLSSHA-3.00			3							2.56									
CL-6-CLSSHA-1.50	3/8	.3740	1-1/2	2.13	1.47	3/8-16	.56	.75	1	1.06	.41	5/8	.6267	.31	.62	13/16	CL-6-CLSSH-1.50	CL-6-LPB	LS-1
CL-6-CLSSHA-2.00			2							1.56									
CL-6-CLSSHA-3.00			3							2.56									
CL-8-CLSSHA-1.50	1/2	.4990	1-1/2	2.13	1.53	1/2-13	.75	.93	1	1.06	.60	3/4	.7518	.50	.75	1-1/16	CL-8-CLSSH-1.50	CL-8-LPB	LS-1
CL-8-CLSSHA-2.00			2							1.56									
CL-8-CLSSHA-3.00			3							2.56									

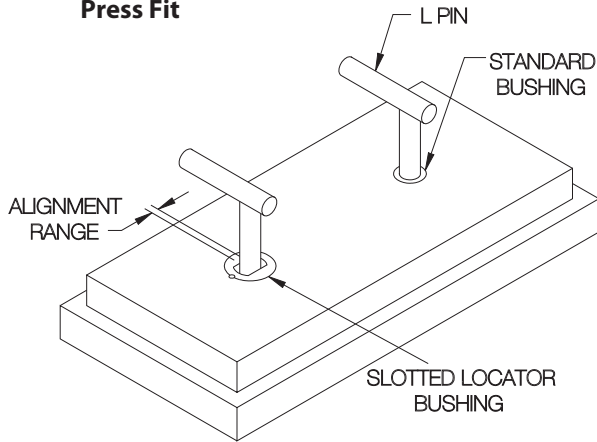
SLOTTED LOCATOR BUSHINGS

STEEL: TOOL STEEL, HEAT TREATED RC 58-62, BLACK OXIDE FINISH
 STAINLESS: 440C STAINLESS STEEL, HEAT TREATED

1



Press Fit



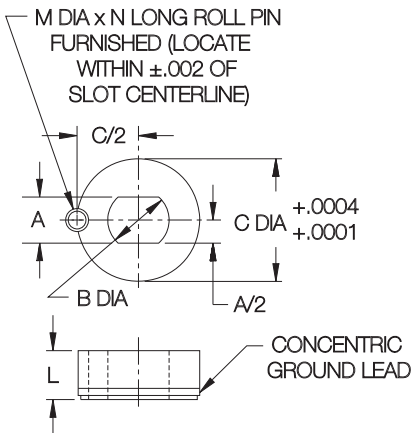
Use with L Pins, T Pins, Shoulder Pins, or Carr Lock® Clamps to align two holes without binding. Precision bushing with a tight tolerance in one direction and full relief in the perpendicular direction. Available for 1/8 through 1" diameter pins (5mm-25mm in metric sizes). To install, first drill and ream hole for roll pin (furnished), then bore large bushing hole for .0003-.0005 press fit. Press in bushing and roll pin simultaneously for accurate orientation. Patent No. 3,381,554.

PRESS FIT (INCH)

PART NO.		PIN DIA	A	B DIA	C DIA	L	M DIA	N
STEEL	STAINLESS							
CL-2-SLLB	—	1/8	.1251/.1257	.250	.7500	.40	3/16	3/8
CL-3-SLLB-.1285	—	#30	.1286/.1292	.312	.7500	.40		
CL-3-SLLB-.1562	—	5/32	.1563/.1569	.312	.7500	.40		
CL-3-SLLB	CL-3-SLLB-S	3/16	.1876/.1882	.312	.7500	.40		
CL-4-SLLB-.1910	—	#11	.1911/.1917	.375	.7500	.40		
CL-4-SLLB-.1935	—	#10	.1936/.1942	.375	.7500	.40		
CL-4-SLLB-.1960	—	#9	.1961/.1967	.375	.7500	.40		
CL-4-SLLB-.2188	—	7/32	.2189/.2195	.375	.7500	.40		
CL-4-SLLB	CL-4-SLLB-S	1/4	.2501/.2507	.375	.7500	.40		
CL-4A-SLLB	—			1.0000	.40			
CL-5-SLLB-.2570	—	F	.2571/.2577	.437	1.0000	.40		
CL-5-SLLB-.2812	—	9/32	.2813/.2819	.437	1.0000	.40		
CL-5-SLLB	CL-5-SLLB-S	5/16	.3126/.3132	.437	1.0000	.40		
CL-6-SLLB	CL-6-SLLB-S	3/8	.3751/.3757	.500	1.0000	.40		
CL-8A-SLLB	CL-8A-SLLB-S	1/2	.5001/.5007	.625	1.0000	.40		
CL-8-SLLB	—			.90	.40			
CL-10-SLLB	CL-10-SLLB-S	5/8	.6251/.6257	.750	1.2500	.90		
CL-12-SLLB	CL-12-SLLB-S	3/4	.7501/.7510	.812	1.5000	1.00		
CL-14-SLLB	—	7/8	.8751/.8760	1.000	1.5000	1.00		
CL-16-SLLB	—	1	1.0001/1.0010	1.062	1.5000	1.00		

PRESS FIT (METRIC)

CLM-5-SLLB	—	5mm	.1970/.1980	.315	.7874	.35	5mm	8mm
CLM-6-SLLB	CLM-6-SLLB-S	6mm	.2363/.2373	.354	.7874	.35		
CLM-8-SLLB	CLM-8-SLLB-S	8mm	.3151/.3161	.433	.9449	.35		
CLM-10-SLLB	CLM-10-SLLB-S	10mm	.3938/.3948	.512		.55		
CLM-12-SLLB	CLM-12-SLLB-S	12mm	.4725/.4735	.591	.55			
CLM-16-SLLB	CLM-16-SLLB-S	16mm	.6300/.6310	.709	1.1811	.47		
CLM-20-SLLB	CLM-20-SLLB-S	20mm	.7875/.7885	.866	1.4173	.75		
CLM-25-SLLB	—	25mm	.9844/.9854	1.063	1.5748			



A DIMENSION CENTERED WITHIN ±.0002 OF C DIA

HEADED SLOTTED LOCATOR BUSHINGS

TOOL STEEL, HEAT TREATED RC 58-62, BLACK OXIDE FINISH

1

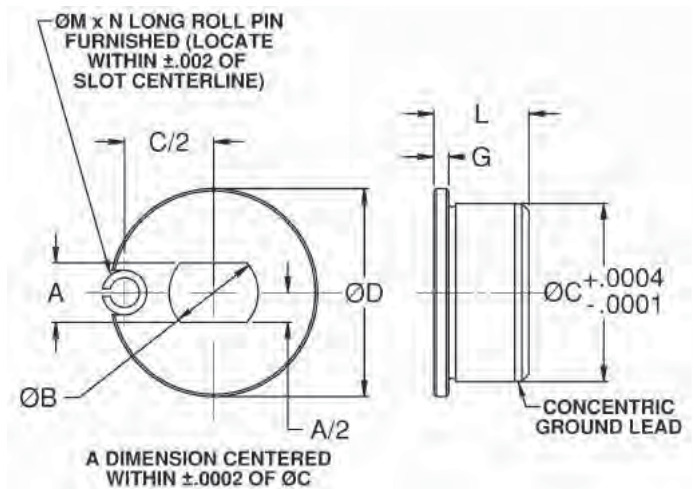
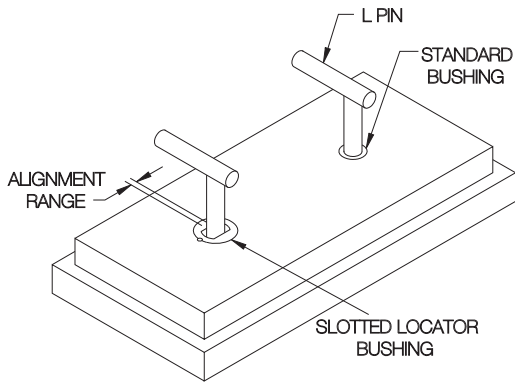


Press Fit

New Item!

Slotted Locator Bushings can be used with many types of alignment pins and locating pins to align two holes without binding. Precision bushing with a tight tolerance in one direction and full relief in the perpendicular direction. This headed version provides more resistance to axial loads. The head can be left exposed, or recessed by counterboring the installation hole. Available for pin diameters from 3/16 to 1/2".

To install, first drill and ream hole for roll pin (furnished), then bore large bushing hole for .0003-.0005" press fit. Press in bushing and roll pin simultaneously for accurate orientation.



HEADED PRESS FIT (INCH)

PART NO.	PIN DIA	A	B DIA	C DIA	D DIA	G	L	M DIA	N
CL-3-HSLB	3/16	.1876/.1882	.312	.7500	.875	.0625	.40	3/16	3/8
CL-4-HSLB	1/4	.2501/.2507	.375	.7500	.875	.0625	.40	3/16	3/8
CL-5-HSLB	5/16	.3126/.3132	.437	1.0000	1.125	.0625	.40	3/16	3/8
CL-6-HSLB	3/8	.3751/.3757	.500	1.0000	1.125	.0625	.40	3/16	3/8
CL-8-HSLB	1/2	.5001/.5007	.625	1.0000	1.125	.0625	.40	3/16	3/8

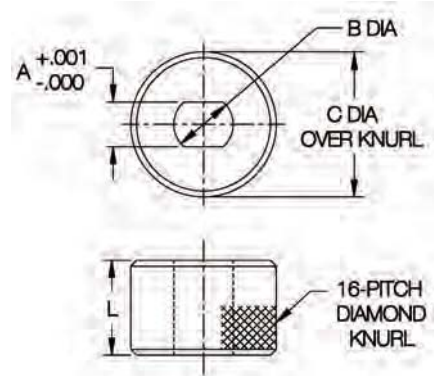
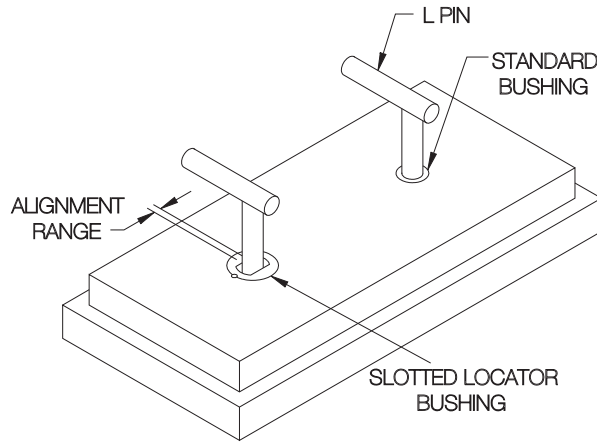
SLOTTED LOCATOR BUSHINGS

BUSHING: TOOL STEEL, HEAT TREATED RC 58-62, BLACK OXIDE FINISH
 LOCATING TOOL: O-2 DRILL ROD

1



**Knurled
Slotted Locator Bushing**



Slotted Locator Bushings with a knurled design for embedding in plastic tooling. Use with L Pins, T Pins, and Shoulder Pins to align two holes without binding. Precision bushing with a tight tolerance in one direction and full relief in the perpendicular direction. Available for 3/16 through 1/2" pin diameters.

KNURLED SLOTTED LOCATOR BUSHINGS (INCH)

PART NO.	PIN DIA	A	B DIA	C DIA	L
CL-30-SLLB	3/16	.188	.312	.565	1/2
CL-40-SLLB	1/4	.250	.375	.640	
CL-50-SLLB	5/16	.313	.437	.765	
CL-60-SLLB	3/8	.375	.500	.890	
CL-80-SLLB	1/2	.500	.625	1.015	

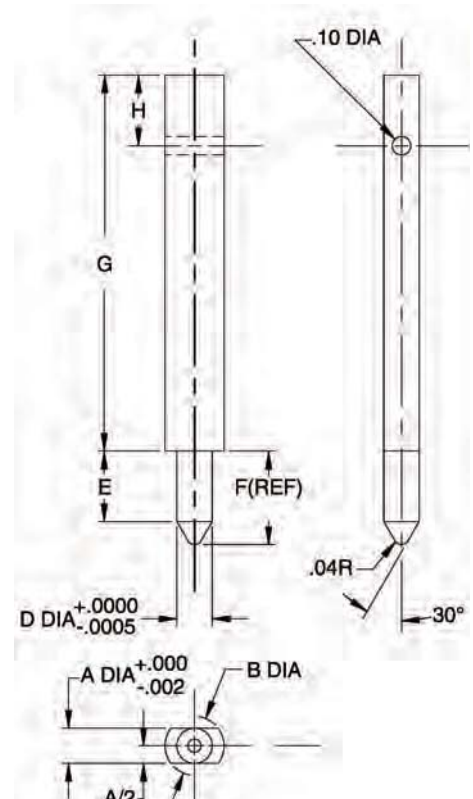


Locating Tool

Handy locating tool for holding knurled Slotted Locator Bushings in place during embedment. This stepped locating pin has a slip-fit-tolerance shank to fit a locating liner bushing in a template plate, and a head diameter with flats to fit a Slotted Locator Bushing perfectly.

LOCATING TOOLS (INCH)

PART NO.	PIN DIA	A	B DIA	D DIA	E	F	G	H
CL-3-SLLT	3/16	.188	.312	.1875	.37	.50	2.00	.37
CL-4-SLLT	1/4	.250	.375	.2500	.50	.68		
CL-5-SLLT	5/16	.313	.437	.3125	.50	.73		
CL-6-SLLT	3/8	.375	.500	.3750	.50	.78		
CL-8-SLLT	1/2	.500	.625	.5000	.50	.89		



SLOTTED LOCATOR TEMPLATE BUSHINGS

PIN: 12L14 STEEL, CARBURIZED-HARDENED, BLACK OXIDE FINISH
HANDLE: 12L14 STEEL, BLACK OXIDE FINISH



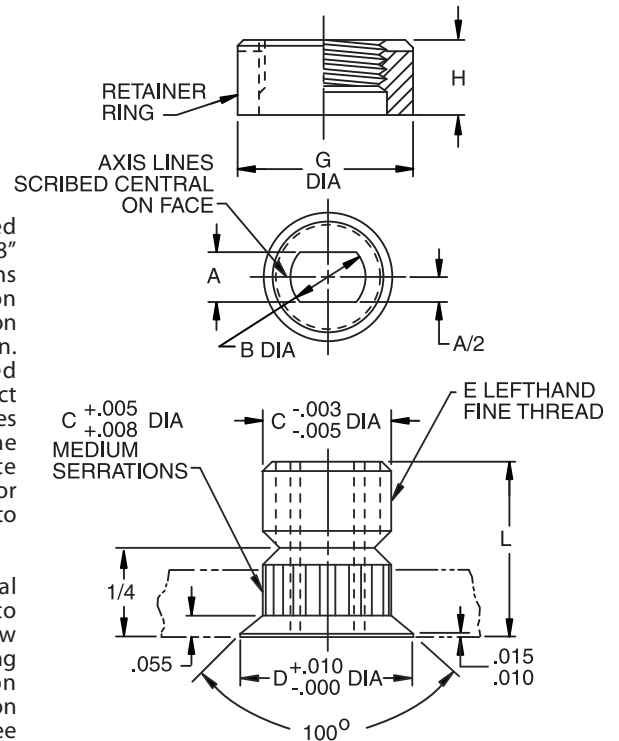
Retainer Ring



Bushing

These Slotted Locator Bushings are designed for thin template jig plates from 3/64" to 3/8" thick. Use with L Pins, T Pins, or Shoulder Pins to align two holes without binding. Precision bushing with a tight tolerance in one direction and full relief in the perpendicular direction. Bushings are held in place by a threaded Retainer Ring (order separately). Flush contact of the Retainer Ring against the jig plate ensures perpendicularity. OD serrations prevent the bushing from rotating. Threaded Template Bushings can be easily removed to replace or reuse. Available for pin diameters from 3/16 to 3/4".

To install, drill hole in jig plate to nominal bushing OD (B diameter). Countersink 90° to allow bushing to seat flush to .015" below surface of plate. Install and tighten Retainer Ring to secure. To make Retainer Ring installation easier, we offer a handy Socket-Type Installation Tool that fits 1/4" square drives — **INFO+**: see page 579.



INCH

PART NO.	PIN DIA	A	B DIA	C DIA	D DIA	E	L	RETAINER RING PART NO.	TEMPLATE THICKNESS	G DIA	H
CL-40-SLTB-1875	3/16	.1876/.1882	3/8	.625	.725	5/8-18 LH	1/2	TTR-40-6	.047-.125	3/4	3/8
								TTR-40-5	.126-.188		5/16
								TTR-40-3	.189-.375		3/16
CL-40-SLTB-1935	#10	.1936/.1942	3/8	.625	.725	5/8-18 LH	1/2	TTR-40-6	.047-.125	3/4	3/8
								TTR-40-5	.126-.188		5/16
								TTR-40-3	.189-.375		3/16
CL-40-SLTB-2500	1/4	.2501/.2507	3/8	.625	.725	5/8-18 LH	1/2	TTR-40-6	.047-.125	3/4	3/8
								TTR-40-5	.126-.188		5/16
								TTR-40-3	.189-.375		3/16
CL-48-SLTB-3125	5/16	.3126/.3132	7/16	.750	.850	3/4-16 LH	1/2	TTR-48-6	.047-.125	1	3/8
								TTR-48-5	.126-.188		5/16
								TTR-48-3	.189-.375		3/16
CL-48-SLTB-3750	3/8	.3752/.3757	1/2	.750	.850	3/4-16 LH	1/2	TTR-48-6	.047-.125	1	3/8
								TTR-48-5	.126-.188		5/16
								TTR-48-3	.189-.375		3/16
CL-48-SLTB-5000	1/2	.5001/.5007	5/8	.750	.850	3/4-16 LH	1/2	TTR-48-6	.047-.125	1	3/8
								TTR-48-5	.126-.188		5/16
								TTR-48-3	.189-.375		3/16
CL-64-SLTB-6250	5/8	.6251/.6257	3/4	1.000	1.100	1"-14 LH	5/8	TTR-64-6	.047-.125	1-1/4	3/8
								TTR-64-5	.126-.188		5/16
								TTR-64-3	.189-.375		3/16
CL-64-SLTB-7500	3/4	.7501/.7510	13/16	1.000	1.100	1"-14 LH	5/8	TTR-64-6	.047-.125	1-1/4	3/8
								TTR-64-5	.126-.188		5/16
								TTR-64-3	.189-.375		3/16

BALL LOCK PINS

1 TECHNICAL INFORMATION



Pages 42-43



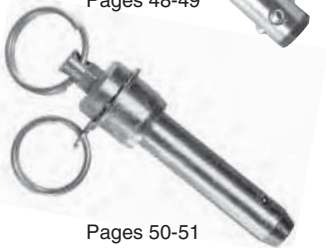
Pages 44-45



Pages 46-47



Pages 48-49



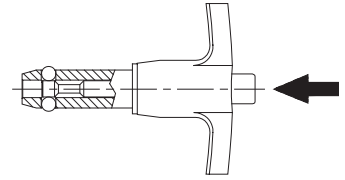
Pages 50-51



Pages 52-53

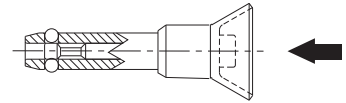
BALL LOCK PINS

Precision alignment pin with a ground shank. This popular single-acting type is positive locking until released by pushing the button, which moves the center spindle forward to allow the locking balls to retract into a radial groove. Widest range of types and sizes, in steel or stainless steel. Choice of four handle styles: T, L, Button, and Ring. Standard shank diameters from 3/16 to 1" (5 to 20mm in metric). Any grip length up to 6" (150mm in metric) is available as standard, at no extra charge. Available from stock in many standard grip lengths, or quickly made to order in custom lengths and diameters.



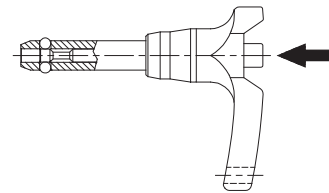
MARINE BALL LOCK PINS

Similar to our standard single-acting Ball Lock Pins in stainless steel, except this type has its handle and button made of 300-series stainless steel. Choice of two handle styles: Recessed Button and Ring. Shank diameters from 3/16 to 1/2", each available in a choice of several standard grip lengths. Available from stock only (not made to order).



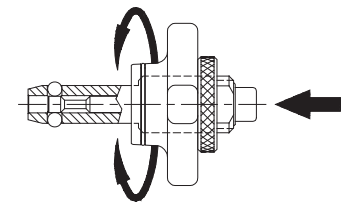
HEAVY-DUTY BALL LOCK PINS

Similar to our standard single-acting Ball Lock Pins, except with a heavier handle for rough service. Available only in stainless steel. Handles are made of solid stainless steel for maximum impact strength and are specially shaped to prevent accidentally pressing the release button. Choice of four handle styles: T, L, Button, and Ring. Shank diameters from 3/16 to 1/2" (5 to 12mm in metric), each in a choice of several standard grip lengths. Available from stock only (not made to order).



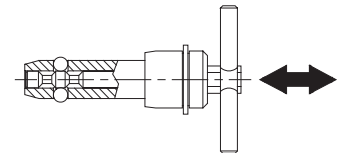
ADJUSTABLE BALL LOCK PINS

These Ball Lock Pins have an adjustable grip length. They can be used for clamping, or simply to provide a variable grip length. The threaded handle turns to provide a 1/2" clamping range or adjustment range. Available in steel or stainless steel. Choice of three handle styles: Knob, T, and L. Standard shank diameters from 1/4 to 1" (6 to 20mm in metric), each in a choice of many standard grip lengths. Other grip lengths are available as specials (extra charge and longer delivery time).



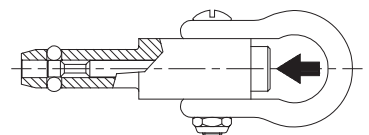
DOUBLE-ACTING BALL LOCK PINS

Similar to a single-acting pin, except the center spindle has two grooves instead of one, to release the ball by either pushing or pulling. Pushing on the handle releases the balls and inserts the pin in one motion. Pulling on the handle releases the balls and removes the pin in one motion. Available in steel or stainless steel. Choice of three handle styles: T, L, and Ring. Standard shank diameters from 3/16 to 1" (5 to 20mm in metric). Any grip length up to 6" (150mm in metric) is available as a standard, at no extra charge. Available from stock in some standard grip lengths, or quickly made to order in custom lengths and diameters.



LIFTING PINS

A single-acting ball lock pin with a solid, one-piece body and four balls for high tension loads. Positive locking until released by pushing the button. Sturdy forged shackle for heavy lifting. Shank diameters from 1/4 to 1", each in a choice of several standard grip lengths. Available from stock only (not made to order).



BALL LOCK PINS

MATERIAL SPECIFICATIONS

(Any options listed below are manufacturing options, not options selectable by the customer.)

COMPONENT	ALLOY STEEL PINS	STAINLESS STEEL PINS
Shank	4130 steel, heat treated, 160,000 psi min. tensile strength, zinc or cadmium plated**	17-4 PH, heat treated, 180,000 psi min. tensile strength, or equivalent (300 Series on Detent Pins)**
Spindle	4130 steel or 416 stainless	17-4 PH or 416 stainless steel
Handle-BLPT,BLPL,ABP	Aluminum alloy, black or plain finish	Aluminum alloy, black or plain finish
Handle-BLPR,BLPB,BPD	Carbon steel, zinc or cadmium plated, or aluminum alloy, black finish	303 stainless, or aluminum alloy, black finish
Collar	Carbon steel, zinc or cadmium plated	303 stainless
Button	Carbon steel, zinc or cadmium plated, or aluminum alloy, anodized	302 or 303 stainless, or aluminum alloy, anodized
Balls	440 C stainless	440 C stainless
Spring	17-7PH, 302 stainless, or music wire	17-7PH or 302 stainless
Handle Ring	Carbon steel, zinc or cadmium plated, or 302 stainless	302 stainless
S-Hook	Carbon steel, zinc or cadmium plated, or 302 stainless	302 stainless
S-Hook Band	Carbon steel, zinc or cadmium plated, or 15-7MO or 302 stainless	15-7MO or 302 stainless

STRENGTH DATA (INCH)

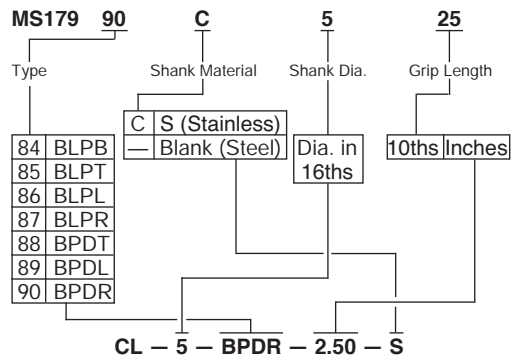
NOM. DIA	RECOMMENDED HOLE DIA		BLP, BPD, ABP APPROXIMATE PULL OUT STRENGTH (LBS)	BLP, BPD, ABP, LFP CALCULATED DOUBLE SHEAR STRENGTH (LBS)***		DEP CALCULATED DOUBLE SHEAR STRENGTH (LBS)***		BLP, BPD APPROX. WEIGHT (OUNCES)		DEP INSERTION/REMOVAL FORCE (LBS)	
	MAX	MIN		STEEL	STAINLESS	STEEL	STAINLESS	HANDLE	PER IN.	MAX	MIN
3/16 (#10)	.194	.190	200	2,100	2,300	2,200	2,000	1.25	.15	7	2
1/4	.254	.250	230	4,000	4,500	4,200	2,200	1.75	.25	7	2
5/16	.317	.313	510	6,000	7,100	6,700	3,500	2.00	.40	14	6
3/8	.379	.375	575	9,200	10,200	9,700	5,000	2.40	.50	14	6
7/16	.443	.438	710	12,300	13,600	13,200	7,000	2.90	.62	17	8
1/2	.505	.500	1160	16,000	18,000	17,500	9,200	3.40	.80	22	10
9/16	.568	.563	1420	20,500	23,000	22,000	11,500	3.65	1.20	22	10
5/8	.630	.625	2070	25,500	28,700	27,500	13,500	4.00	1.35	30	15
3/4	.757	.750	2970	36,700	41,000	39,500	20,500	4.25	2.30	30	15
7/8	.882	.875	3900	50,000	56,200	50,000	28,500	8.31	2.73	35	20
1	1.010	1.000	5400	65,500	73,500	70,700	37,200	9.00	3.47	40	20

STRENGTH DATA (METRIC)

5mm	.201	.197	230	2,600	3,000	2,500	1,400	1.25	.15	7	2
6mm	.240	.236	230	4,000	4,400	4,000	2,100	1.75	.25	7	2
8mm	.319	.315	510	7,000	8,000	7,200	3,700	2.00	.40	14	6
10mm	.398	.394	710	11,000	12,500	11,400	5,800	2.40	.50	14	6
12mm	.477	.472	1160	16,000	18,000	16,500	8,500	3.40	.80	22	10
16mm	.635	.630	2070	29,000	32,500	29,500	15,400	4.00	1.35	30	15
20mm	.794	.787	2970	45,200	50,900	46,100	21,600	4.25	2.30	30	15

MS CONVERSIONS

(MS-certified pins available as specials at higher cost)

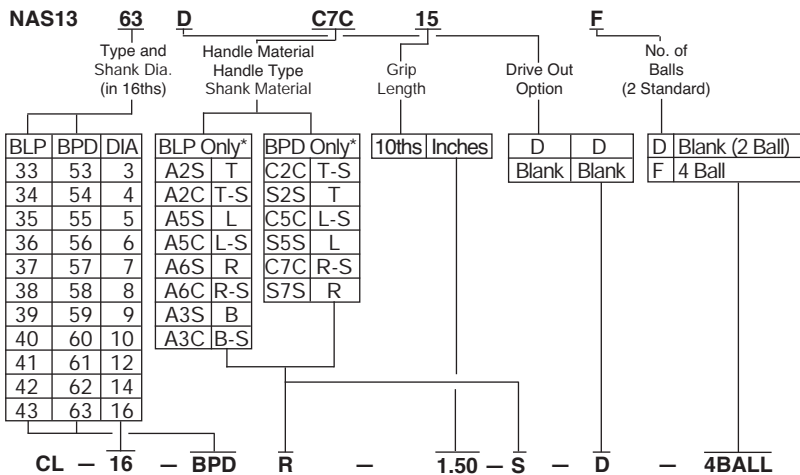


**Pins with grip lengths over 8" (special) are not heat treated, in order to maintain straightness. Double shear strength will be reduced approximately 20-50%. Steel pins over 8" long will have a black oxide finish instead of plating. Pins in larger diameters than listed here are available as specials (may be made from alternate steels).

***2:1 Safety factor

NAS CONVERSIONS

(NAS-certified pins available as specials at higher cost)



*These are the only standard combinations of Handle Material, Handle Style, Spindle Material, and BLP-BPD type directly convertible from NAS to Carr Lane. Other combinations are available as specials.

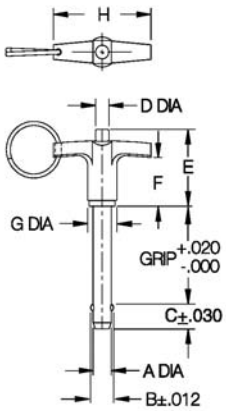
BALL LOCK PINS

INFO+: SEE PAGE 40 OR MATERIAL SPECIFICATIONS

1



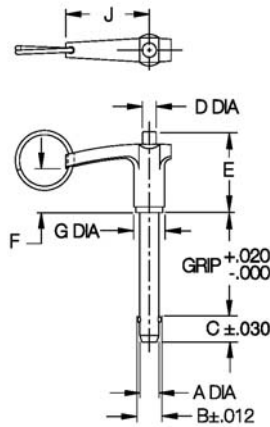
T Handle



BLPT



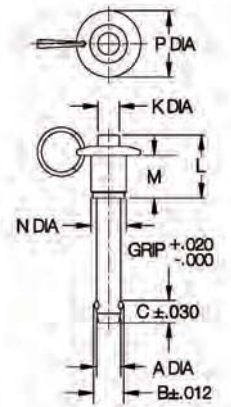
L Handle



BLPL



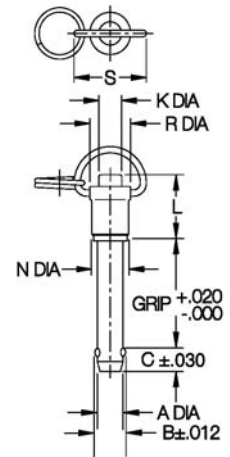
Button Handle



BLPB



Ring Handle



BLPR

INCH

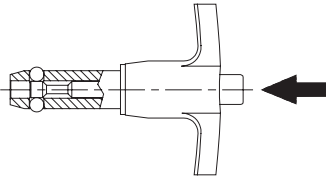
PART NO.	A DIA		B	C	D DIA	E	F	G DIA	H	J	K DIA	L	M	N DIA	P DIA	R DIA	S
	NOMINAL	ACTUAL															
CL- 3-BLPx-x.xx	3/16 (#10)	.1885/.1870	.219	.245	.22	1.26	.78	.47	1.75	1.50	.22	1.26	.89	.47	.82	.57	1.13
CL- 4-BLPx-x.xx	1/4	.2485/.2470	.290	.275													
CL- 5-BLPx-x.xx	5/16	.3110/.3095	.375	.315													
CL- 6-BLPx-x.xx	3/8	.3735/.3720	.438	.350	.27	1.47	.94	.59	2.00	1.62	.27	1.47	1.02	.59	1.00	.69	1.13
CL- 7-BLPx-x.xx	7/16	.4360/.4345	.508	.365													
CL- 8-BLPx-x.xx	1/2	.4985/.4970	.592	.445													
CL- 9-BLPx-x.xx	9/16	.5610/.5595	.666	.495	.39	1.61	1.06	.75	2.25	1.88	.39	1.61	1.08	.75	1.31	.82	1.33
CL- 10-BLPx-x.xx	5/8	.6235/.6220	.750	.565													
CL- 12-BLPx-x.xx	3/4	.7485/.7470	.886	.655													
CL- 14-BLPx-x.xx	7/8	.8735/.8720	1.044	.745	.50	1.81	1.06	.93	3.00	2.50	.50	1.81	1.25	.93	1.56	1.01	1.33
CL- 16-BLPx-x.xx	1	.9985/.9970	1.217	.875													

METRIC

CLM-5-BLPx-xx	5mm	.1954/.1939	.212	.245	.22	1.26	.78	.47	1.75	1.50	.22	1.26	.89	.47	.82	.57	1.13
CLM-6-BLPx-xx	6mm	.2347/.2332	.278	.275													
CLM-8-BLPx-xx	8mm	.3135/.3120	.371	.315													
CLM-10-BLPx-xx	10mm	.3922/.3907	.469	.350	.27	1.47	.94	.59	2.00	1.62	.27	1.47	1.02	.59	1.00	.69	1.13
CLM-12-BLPx-xx	12mm	.4709/.4694	.567	.445													
CLM-16-BLPx-xx	16mm	.6284/.6269	.748	.565													
CLM-20-BLPx-xx	20mm	.7859/.7844	.948	.795	.50	1.81	1.06	.93	3.00	2.50	.50	1.81	1.25	.93	1.56	1.01	1.33

BALL LOCK PINS

INFO+: SEE PAGE 40 FOR MATERIAL SPECIFICATIONS



Precision alignment pin with a ground shank. This popular single-acting type is positive locking until released by pushing the button, which moves the center spindle forward to allow the locking balls to retract into a radial groove. Widest range of types and sizes, in steel or stainless steel. Choice of four handle styles: T, L, Button, and Ring. Standard shank diameters from 3/16 to 1" (5 to 20mm in metric). Any grip length up to 6" (150mm in metric) is available as standard, at no extra charge. Available from stock in many standard grip lengths, or quickly made to order in custom lengths and diameters.

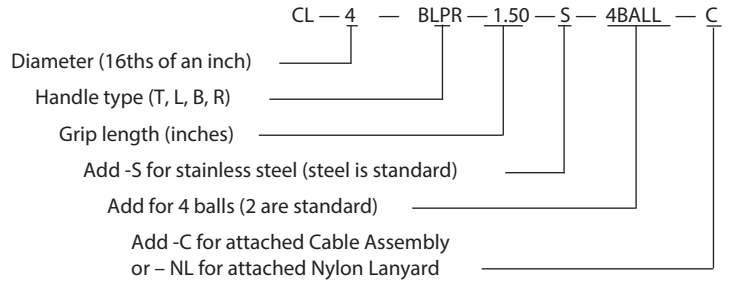


Options

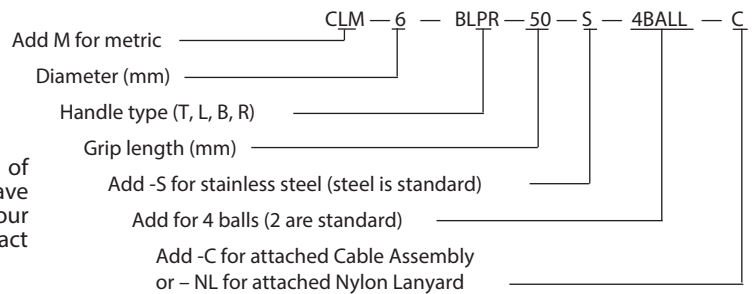
Ball Lock Pins are optionally available in stainless steel instead of alloy steel for greater corrosion resistance. (Note: Both types have aluminum handles, and buttons.) Pins are also available with four balls instead of two, as specials, for more-distributed ball-contact force.

The optional attached Cable Assembly (-C) is 12" long (part no. CL-82-KA-12.0 if ordered separately), while the optional attached Nylon Lanyard (-NL) is 10" long (part no. CL-1-NL-10 if ordered separately). Both have an eyelet at the free end for a #10 or M5 attachment screw.

Ordering Example (INCH):



Ordering Example (Metric):



STOCK GRIP LENGTHS (INCH)

PART NO.	NOMINAL SHANK DIA	GRIP LENGTH (INCHES)															
		.50	.75	1.00	1.25	1.50	1.75	2.00	2.25	2.50	3.00	3.50	4.00	4.50	5.00	5.50	6.00
CL-3-BLPx-xxx	3/16 (#10)	••••	••••	X•X•X•X•	X••••	X•X•X•X•	X••••	X••••	X••••	••••	••••	••••	••••	••••	••••	••••	••••
CL-4-BLPx-xxx	1/4	X•X•X•	X•X•X•	X•X•X•X•	X••••	X•X•X•X•	••••	••••	••••	••••	X•X•X•	X•X•X•	••••	••••	••••	••••	••••
CL-5-BLPx-xxx	5/16	••••	••••	X•X•X•	••••	X•X•X•	••••	X•X•X•	••••	X•X•X•	••••	••••	••••	••••	••••	••••	••••
CL-6-BLPx-xxx	3/8	••••	X••••	X•X•X•X•	••••	X•X•X•X•	••••	X•X•X•	••••	X•X•X•	X•X•X•	X•X•X•	X•X•X•	X••••	X••••	••••	••••
CL-7-BLPx-xxx	7/16	••••	••••	••••	••••	••••	••••	••••	••••	••••	••••	••••	••••	••••	••••	••••	••••
CL-8-BLPx-xxx	1/2	••••	••••	X••••	X•X•	X•X•X•	X•X•	X•X•X•	••••	X•X•X•	X•X•X•	X••••	X••••	X••••	••••	••••	X••••
CL-9-BLPx-xxx	9/16	••••	••••	••••	••••	••••	••••	••••	••••	••••	••••	••••	••••	••••	••••	••••	••••
CL-10-BLPx-xxx	5/8	••••	••••	••••	••••	••••	••••	••••	••••	••••	••••	••••	••••	••••	••••	••••	••••
CL-12-BLPx-xxx	3/4	••••	••••	••••	••••	••••	••••	••••	••••	X•X•X•	X•X•X•	X••••	X••••	••••	X••••	••••	X••••
CL-14-BLPx-xxx	7/8	••••	••••	••••	••••	••••	••••	••••	••••	••••	••••	••••	••••	••••	••••	••••	••••
CL-16-BLPx-xxx	1	••••	••••	••••	••••	••••	••••	••••	••••	••••	••••	••••	••••	••••	••••	••••	••••

STOCK GRIP LENGTHS (METRIC)

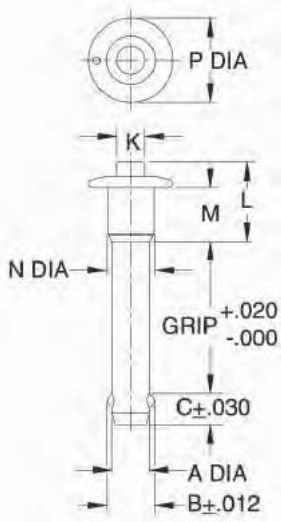
PART NO.	NOMINAL SHANK DIA	GRIP LENGTH (mm)											
		10	15	20	25	30	40	50	60	70	80	90	100
CLM-5-BLPx-xx	5mm	••••	••••	••••	••••	••••	••••	••••	••••	••••	••••	••••	••••
CLM-6-BLPx-xx	6mm	••••	••••	••••	••••	••••	••••	••••	••••	••••	••••	••••	••••
CLM-8-BLPx-xx	8mm	••••	••••	••••	••••	••••	••••	••••	••••	••••	••••	••••	••••
CLM-10-BLPx-xx	10mm	••••	••••	••••	••••	••••	••••	••••	••••	••••	••••	••••	••••
CLM-12-BLPx-xx	12mm	••••	••••	••••	••••	••••	••••	••••	••••	••••	••••	••••	••••
CLM-16-BLPx-xx	16mm	••••	••••	••••	••••	••••	••••	••••	••••	••••	••••	••••	••••
CLM-20-BLPx-xx	20mm	••••	••••	••••	••••	••••	••••	••••	••••	••••	••••	••••	••••

• = STOCKED IN ALLOY STEEL ONLY
 X = STOCKED IN ALLOY AND STAINLESS STEEL

MARINE BALL LOCK PINS



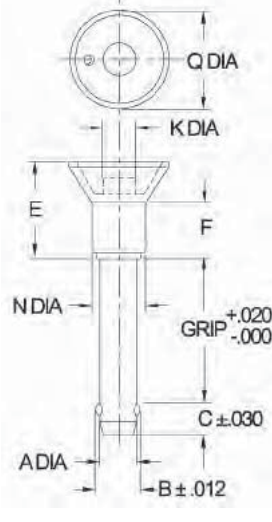
Button Handle (B)



MBPB



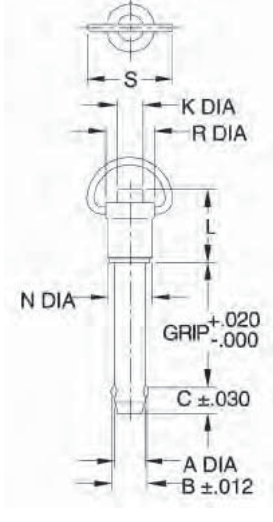
Recessed Button Handle (M)



MBPM



Ring Handle (R)



MBPR

INCH

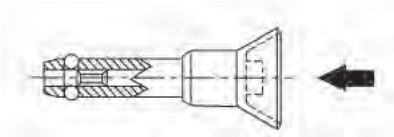
PART NO.	A DIA		B	C	E	F	K DIA	L	M	N DIA	P DIA	Q DIA	R	S
	NOMINAL	ACTUAL												
CL-3-MBPx-x.xx-S	3/16 (#10)	.1885/.1870	.219	.245	.94	.62	.25	.81	.56	.47	.79	1.00	.52	1.13
CL-4-MBPx-x.xx-S	1/4	.2485/.2470	.290	.275										
CL-5-MBPx-x.xx-S	5/16	.3110/.3095	.375	.315	1.00	.68	.31	.98	.65	.59	1.00	1.00	.64	1.13
CL-6-MBPx-x.xx-S	3/8	.3735/.3720	.438	.350	1.06	.78								
CL-8-MBPx-x.xx-S	1/2	.4985/.4970	.592	.445	1.19	.93	.44	1.20	.80	.75	1.31	1.33	.80	1.33
CL-10-MBPx-x.xx-S	5/8	.6235/.6220	.750	.565	1.50	1.00	.44	1.56	1.00	.93	1.56	1.50	1.01	1.33
CL-12-MBPx-x.xx-S	3/4	.7485/.7470	.886	.655										

METRIC

CLM-5-MBPx-xx-S	5mm	.1954/.1939	.212	.245	.94	.62	.22	.81	.56	.47	.82	1.00	.52	1.13
CLM-6-MBPx-xx-S	6mm	.2347/.2332	.278	.275										
CLM-8-MBPx-xx-S	8mm	.3135/.3120	.371	.315	1.00	.68	.27	.98	.65	.59	1.00	1.00	.64	1.13
CLM-10-MBPx-xx-S	10mm	.3922/.3907	.469	.350	1.06	.78								
CLM-12-MBPx-xx-S	12mm	.4709/.4694	.567	.445	1.19	.93	.39	1.20	.80	.75	1.31	1.33	.80	1.33
CLM-16-MBPx-xx-S	16mm	.6283/.6268	.748	.565	1.50	1.00	.50	1.56	1.00	.93	1.56	1.50	1.01	1.33

MARINE BALL LOCK PINS

SHANK & SPINDLE: 17-4PH STAINLESS STEEL
 HANDLE AND BUTTON: 300-SERIES STAINLESS STEEL
 SPRING: 17-7 OR 300-SERIES STAINLESS STEEL
 BALLS: 440C OR 300-SERIES STAINLESS STEEL



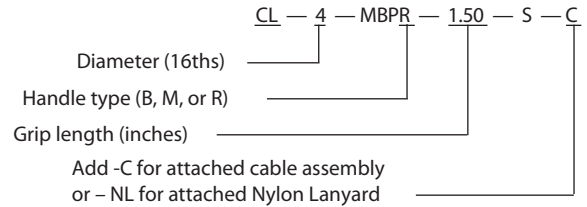
Similar to our standard single-acting Ball Lock Pins in stainless steel, except this type has its handle and button made of 300-series stainless steel. Choice of three handle styles: Buttons, Recessed Button and Ring. Shank diameters from 3/16 to 3/4" (5 to 16mm in metric), each available in a choice of several standard grip lengths. Available from stock only in the standard grip lengths listed below (other grip length available as specials).



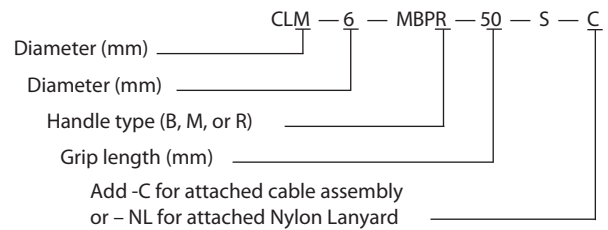
Optional Cable

The optional attached Cable Assembly (-C) is 12" long (part no. CL-82-KA-12.0 if ordered separately), while the optional attached Nylon Lanyard (-NL) is 10" long (part no. CL-1-NL-10 if ordered separately). Both have an eyelet at the free end for a #10 or M5 attachment screw.

Ordering Example (INCH):



Ordering Example (Metric):



STANDARD STOCK GRIP LENGTHS (INCH)

PART NO.	NOMINAL SHANK DIA	GRIP LENGTH (INCHES)												
		0.50 BMR	0.75 BMR	1.00 BMR	1.25 BMR	1.50 BMR	1.75 BMR	2.00 BMR	2.25 BMR	2.50 BMR	3.00 BMR	3.50 BMR	4.00 BMR	4.50 BMR
CL-3-MBPx-x.xx-S	3/16 (#10)	XXX	XXX	XXX	XXX	XXX		XXX		XXX	XXX			
CL-4-MBPx-x.xx-S	1/4	XXX	XXX	XXX	XXX	XXX	XXX	XXX	XXX	XXX	XXX			
CL-5-MBPx-x.xx-S	5/16		XXX	XXX	XXX	XXX	XXX	XXX	XXX	XXX	XXX	XXX	XXX	
CL-6-MBPx-x.xx-S	3/8		XXX	XXX	XXX	XXX	XXX	XXX	XXX	XXX	XXX	XXX	XXX	
CL-8-MBPx-x.xx-S	1/2			XXX		XXX		XXX		XXX	XXX	XXX	XXX	XXX
CL-10-MBPx-x.xx-S	5/8					XXX		XXX		XXX	XXX	XXX		
CL-12-MBPx-x.xx-S	3/4							XXX		XXX	XXX			

STANDARD STOCK GRIP LENGTHS (METRIC)

PART NO.	NOMINAL SHANK DIA	GRIP LENGTH (mm)											
		10 BMR	15 BMR	20 BMR	25 BMR	30 BMR	40 BMR	50 BMR	60 BMR	70 BMR	80 BMR	100 BMR	
CLM-5-MBPx-xx-S	5mm	XXX	XXX	XXX	XXX	XXX	XXX	XXX					
CLM-6-MBPx-xx-S	6mm	XXX	XXX	XXX	XXX	XXX	XXX	XXX	XXX				
CLM-8-MBPx-xx-S	8mm			XXX	XXX	XXX	XXX	XXX	XXX			XXX	XXX
CLM-10-MBPx-xx-S	10mm			XXX	XXX	XXX	XXX	XXX	XXX			XXX	XXX
CLM-12-MBPx-xx-S	12mm				XXX	XXX	XXX	XXX	XXX			XXX	XXX
CLM-16-MBPx-xx-S	16mm							XXX					

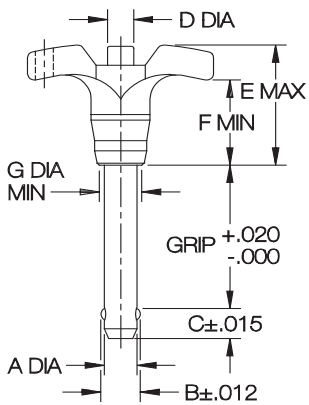
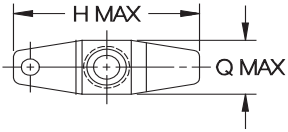
X = STOCKED IN STAINLESS STEEL

HEAVY-DUTY BALL LOCK PINS

1



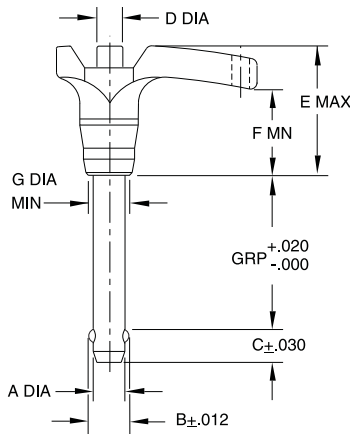
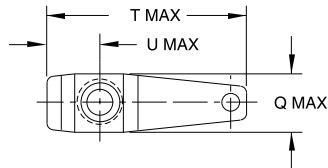
T Handle



BLHT



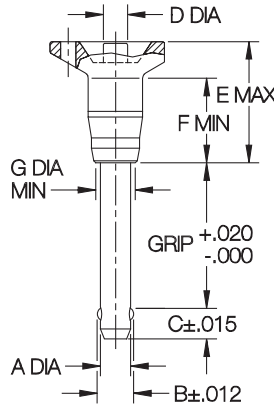
L Handle



BLHL



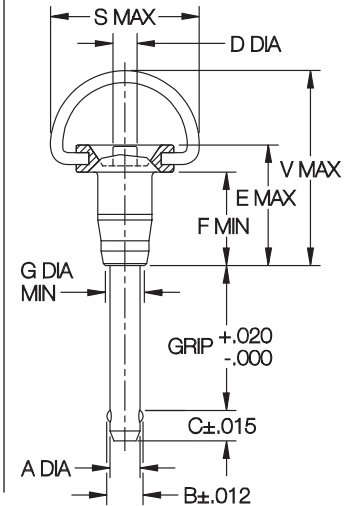
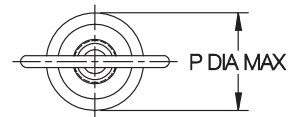
Button Handle



BLHB



Ring Handle



BLHR

INCH

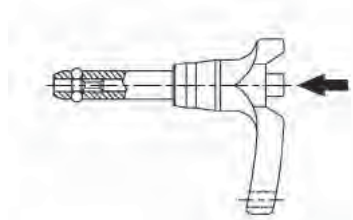
PART NO.	A DIA		B	C	D DIA	E	F	G DIA	H	P DIA	Q	S	T	U	V
	NOMINAL	ACTUAL													
CL-3-BLHx-x.xx-S	3/16 (#10)	.1885/.1870	.220	.245	.25	1.27	.70	.38	1.82	1.07	.63	1.56	1.95	.54	2.13
CL-4-BLHx-x.xx-S	1/4	.2485/.2470	.289	.275											
CL-5-BLHx-x.xx-S	5/16	.3110/.3095	.375	.315											
CL-6-BLHx-x.xx-S	3/8	.3735/.3720	.440	.350	.30	1.60	.85	.51	2.35	1.39	.80	2.00	2.51	.70	2.34
CL-7-BLHx-x.xx-S	7/16	.4360/.4345	.509	.365											
CL-8-BLHx-x.xx-S	1/2	.4985/.4970	.594	.445											

METRIC

CLM-5-BLHx-xx-S	5mm	.1954/.1939	.210	.245	.25	1.27	.70	.38	1.82	1.07	.63	1.56	1.95	.54	2.13
CLM-6-BLHx-xx-S	6mm	.2347/.2332	.275	.275											
CLM-8-BLHx-xx-S	8mm	.3135/.3120	.371	.315											
CLM-10-BLHx-xx-S	10mm	.3922/.3907	.467	.350	.30	1.60	.85	.51	2.35	1.39	.80	2.00	2.51	.70	2.34
CLM-12-BLHx-xx-S	12mm	.4709/.4694	.569	.445											

HEAVY-DUTY BALL LOCK PINS

SHANK & SPINDLE: 17-4PH OR 15-7MO STAINLESS STEEL
 HANDLE: 17-4PH STAINLESS STEEL
 HEAD & BUTTON: 303 STAINLESS STEEL
 R-HANDLE RING: 302 STAINLESS STEEL
 SPRING & ATTACHING RING: 17-7PH OR 302 STAINLESS STEEL
 BALLS: 440C STAINLESS STEEL



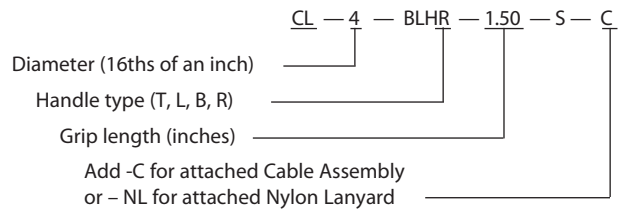
Similar to our standard single-acting Ball Lock Pins, except with a heavier handle for rough service. Available only in stainless steel. Handles are made of solid stainless for maximum impact strength, and are specially shaped to prevent accidentally pressing the release button. Choice of four handle styles: T, L, Button, and Ring. Shank diameters from 3/16 to 1/2" (5 to 12mm in metric), each in a choice of several standard grip lengths. Available from stock only (not made to order).



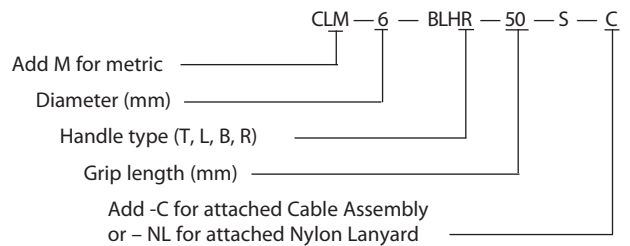
Optional Cable

The optional attached Cable Assembly (-C) is 12" long, while the optional attached Nylon Lanyard (-NL) is 10" long. Both have an eyelet at the free end for a #10 or M5 attachment screw.

Ordering Example (INCH):



Ordering Example (Metric):



STANDARD STOCK GRIP LENGTHS (INCH)

PART NO.	NOMINAL SHANK DIA	GRIP LENGTH (INCHES)															
		.50	.75	1.00	1.25	1.50	1.75	2.00	2.25	2.50	3.00	3.50	4.00	4.50	5.00	6.00	
		TLBR	TLBR	TLBR	TLBR	TLBR	TLBR	TLBR	TLBR	TLBR	TLBR	TLBR	TLBR	TLBR	TLBR	TLBR	
CL-3-BLHx-xx-S	3/16 (#10)	X	X	X	X	X	X	X	X	X	X	X	X	X	X	X	
CL-4-BLHx-xx-S	1/4	X	X	X	X	X	X	X	X	X	X	X	X	X	X	X	
CL-5-BLHx-xx-S	5/16	X	X	X	X	X	X	X	X	X	X	X	X	X	X	X	
CL-6-BLHx-xx-S	3/8	X	X	X	X	X	X	X	X	X	X	X	X	X	X	X	
CL-7-BLHx-xx-S	7/16			X	X	X	X	X	X	X	X	X	X	X	X	X	
CL-8-BLHx-xx-S	1/2			X	X	X	X	X	X	X	X	X	X	X	X	X	

STOCK GRIP LENGTHS (METRIC)

PART NO.	NOMINAL SHANK DIA	GRIP LENGTH (mm)											
		10	15	20	25	30	40	50	60	70	80	100	
		TLBR	TLBR	TLBR	TLBR	TLBR	TLBR	TLBR	TLBR	TLBR	TLBR	TLBR	
CLM-5-BLHx-xx-S	5mm	X	X	X	X	X	X	X	X	X	X	X	
CLM-6-BLHx-xx-S	6mm	X	X	X	X	X	X	X	X	X	X	X	
CLM-8-BLHx-xx-S	8mm			X	X	X	X	X	X	X	X	X	
CLM-10-BLHx-xx-S	10mm			X	X	X	X	X	X	X	X	X	
CLM-12-BLHx-xx-S	12mm				X	X	X	X	X	X	X	X	

X = Stocked in stainless steel.

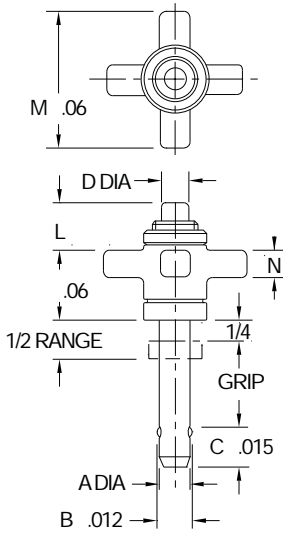
ADJUSTABLE BALL LOCK PINS

INFO+: SEE PAGE 40 FOR MATERIAL SPECIFICATIONS

1



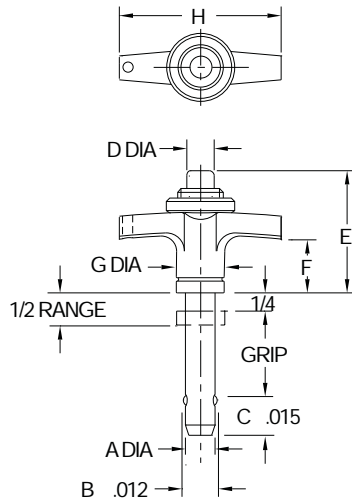
Knob Handle



ABPK



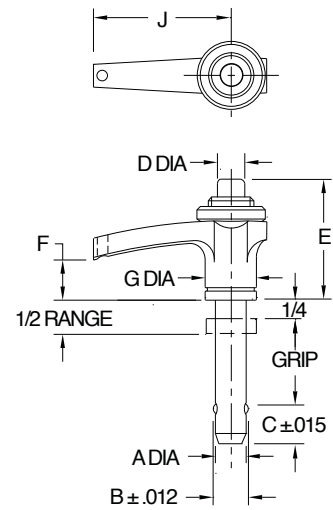
T Handle



ABPT



L Handle



ABPL

INCH

PART NO.	A DIA		B	C	D DIA	E	F	G DIA	H	J	K	L	M	N
	NOMINAL	ACTUAL												
CL-4-ABPx-x.xx-S	1/4	.2485/.2470	.290	.275	.22	1.51	1.06	.75	2.25	1.87	.88	.58	1.75	.38
CL-5-ABPx-x.xx-S	5/16	.3110/.3095	.375	.315	.22	1.45								
CL-6-ABPx-x.xx-S	3/8	.3735/.3720	.438	.350	.27	1.48	1.06	.93	3.00	2.50	.88	.63	2.12	.44
CL-7-ABPx-x.xx-S	7/16	.4360/.4345	.508	.365	.39	1.55	1.06	.93	3.00	2.50	1.00	.55	2.12	.44
CL-8-ABPx-x.xx-S	1/2	.4985/.4970	.592	.445	.50	2.07	1.25	1.31	3.50	2.87	1.25	1.13	2.75	.50
CL-9-ABPx-x.xx-S	9/16	.5610/.5595	.666	.495	.71	2.34	1.62	1.50	4.30	4.00	1.62	1.00	4.00	.75
CL-10-ABPx-x.xx-S	5/8	.6235/.6220	.750	.565										
CL-12-ABPx-x.xx-S	3/4	.7485/.7470	.886	.655										
CL-14-ABPx-x.xx-S	7/8	.8735/.8720	1.044	.745										
CL-16-ABPx-x.xx-S	1	.9985/.9970	1.217	.875										

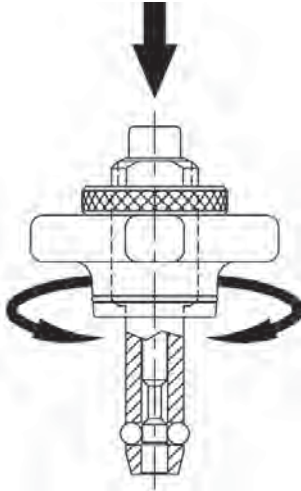
METRIC

CLM-6-ABPx-xx-S	6mm	.2346/.2331	.278	.275	.22	1.51	1.06	.75	2.25	1.87	.88	.65	1.75	.38
CLM-8-ABPx-xx-S	8mm	.3134/.3118	.371	.315	.22	1.45								
CLM-10-ABPx-xx-S	10mm	.3921/.3906	.469	.350	.27	1.48	1.06	.93	3.00	2.50	.88	.72	2.12	.44
CLM-12-ABPx-xx-S	12mm	.4709/.4693	.567	.445							1.00	.73	2.12	.44
CLM-16-ABPx-xx-S	16mm	.6283/.6268	.748	.565	.50	2.07	1.25	1.31	3.50	2.87	1.25	1.13	2.75	.50
CLM-20-ABPx-xx-S	20mm	.7858/.7843	.948	.795							2.00	1.00		

ADJUSTABLE BALL LOCK PINS

INFO+: SEE PAGE 40 FOR MATERIAL SPECIFICATIONS

1

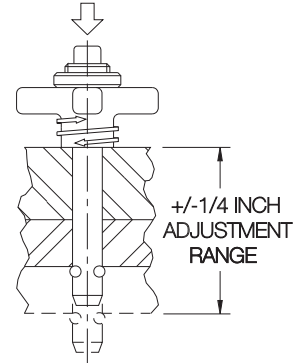


Adjustable Ball Lock Pins can be used for clamping, or simply to provide a variable grip length.

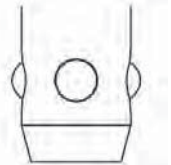
These Ball Lock Pins have an adjustable grip length. They can be used for clamping, or simply to provide a variable grip length. The threaded handle turns to provide a +/- 1/4" clamping range or adjustment range. When used just for variable grip length (not for clamping), the handle can be secured with the supplied knurled locknut. These single-acting pins are manufactured with four balls as standard, instead of two, for more-distributed ball-pullout force in clamping applications. Available in stainless steel only.

Choice of three handle styles: Knob, T, and L. Standard shank diameters from 1/4 to 1" (6 to 20mm in metric), each in a choice of many standard grip lengths. Available from stock only in the standard grip lengths listed below. Other grip lengths are available as specials (extra charge and longer delivery time).

To order pins with a standard Cable Assembly attached (#2 cable size, 12" long, with a terminal at the free end for a #10 or M5 attachment screw), add "-C" to the part number:
CL-4-ABPK-1.50-S-C



Grip length adjusts +/- 1/4" from nominal.



Four balls are standard on Adjustable Ball Lock Pins, to provide more distributed ball-pullout force in clamping applications.

STOCK GRIP LENGTHS (INCH)

PART NO.	NOMINAL SHANK DIA	GRIP LENGTH (INCHES)																																						
		.50		.75		1.00		1.25		1.50		1.75		2.00		2.25		2.50		3.00		3.50		4.00		4.50		5.00		5.50		6.00								
		K	T	L	K	T	L	K	T	L	K	T	L	K	T	L	K	T	L	K	T	L	K	T	L	K	T	L	K	T	L	K	T	L	K	T	L	K	T	L
CL-4-ABPx-xx-S	1/4	x	x	x	x	x	x	x	x	x	x	x	x	x	x	x																								
CL-5-ABPx-xx-S	5/16	x	x	x	x	x	x	x	x	x	x	x	x	x	x	x																								
CL-6-ABPx-xx-S	3/8	x	x	x	x	x	x	x	x	x	x	x	x	x	x	x																								
CL-7-ABPx-xx-S	7/16																																							
CL-8-ABPx-xx-S	1/2							x	x	x	x	x	x	x	x	x																								
CL-9-ABPx-xx-S	9/16																x	x	x	x	x	x	x	x	x	x	x	x	x	x	x	x	x	x	x					
CL-10-ABPx-xx-S	5/8							x	x	x							x	x	x	x	x	x																		
CL-12-ABPx-xx-S	3/4							x	x	x							x	x	x	x	x	x																		
CL-14-ABPx-xx-S	7/8																																							
CL-16-ABPx-xx-S	1																x	x	x	x	x	x																		

STOCK GRIP LENGTHS (METRIC)

PART NO.	NOMINAL SHANK DIA	GRIP LENGTH (mm)																																		
		10		15		20		25		30		40		50		60		70		80		90		100												
		K	T	L	K	T	L	K	T	L	K	T	L	K	T	L	K	T	L	K	T	L	K	T	L	K	T	L								
CLM-6-ABPx-xx-S	6mm				x	x	x				x	x	x	x	x	x																				
CLM-8-ABPx-xx-S	8mm				x	x	x				x	x	x	x	x	x																				
CLM-10-ABPx-xx-S	10mm										x	x	x	x	x	x																				
CLM-12-ABPx-xx-S	12mm																																			
CLM-16-ABPx-xx-S	16mm																																			
CLM-20-ABPx-xx-S	20mm																																			

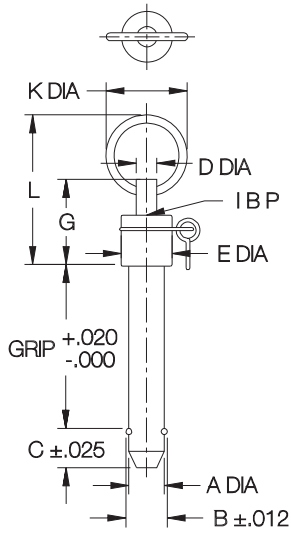
X = STOCKED IN STAINLESS STEEL

DOUBLE-ACTING BALL LOCK PINS

INFO+: SEE PAGE 40 FOR MATERIAL SPECIFICATIONS



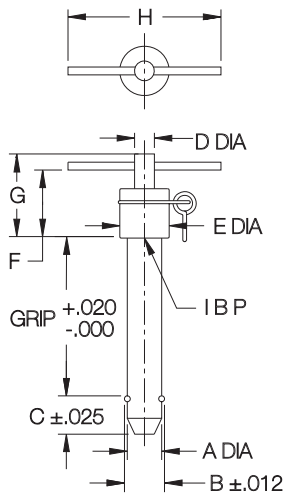
Ring Handle



BPDR



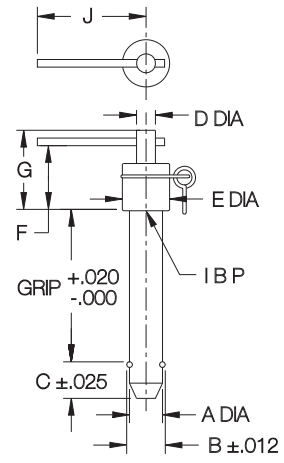
T Handle



BPDT



L Handle



BPDL

INCH

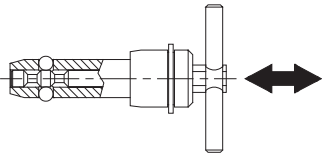
PART NO.	A DIA		B	C	D DIA	E DIA	F	G	H	J	K DIA	L	M		
	NOMINAL	ACTUAL													
CL-3-BPDx-xx-S	3/16 (#10)	.1885/.1870	.219	.385	.19	7/16	.86	1.02	1-1/2	1-1/4	1	1.86	.12		
CL-4-BPDx-xx-S	1/4	.2485/.2470	.290											.12	
CL-5-BPDx-xx-S	5/16	.3110/.3095	.375	.415		1/2								.14	
CL-6-BPDx-xx-S	3/8	.3735/.3720	.438	.485	.25	5/8	.86	1.06	1-15/16	1-7/16				.15	
CL-7-BPDx-xx-S	7/16	.4360/.4345	.508											.16	
CL-8-BPDx-xx-S	1/2	.4985/.4970	.592	.565	.31	11/16	.97	1.24	2-3/16	1-19/32				1.97	.18
CL-9-BPDx-xx-S	9/16	.5610/.5595	.666	.635							1-5/16	2.45	.18		
CL-10-BPDx-xx-S	5/8	.6235/.6220	.750	.725	.43	13/16	1.14	1.44	2-7/16	1-3/4				.26	
CL-12-BPDx-xx-S	3/4	.7485/.7470	.886	.765		15/16	1.13	1.43						2.44	.29
CL-14-BPDx-xx-S	7/8	.8735/.8720	1.044	.925	.56	1-1/8	1.29	1.59	2-25/32	2-3/16				2.62	.28
CL-16-BPDx-xx-S	1	.9985/.9970	1.217	1.075		1-1/4	1.47	1.77				2.79	.30		

METRIC

CLM-5-BPDx-xx-S	5mm	.1954/.1939	.212	.385	.19	7/16	.86	1.02	1-1/2	1-1/4	1	1.86	.12		
CLM-6-BPDx-xx-S	6mm	.2347/.2332	.278											.12	
CLM-8-BPDx-xx-S	8mm	.3135/.3120	.371	.415	.25	1/2								.14	
CLM-10-BPDx-xx-S	10mm	.3922/.3907	.469	.485		5/8	.86	1.06	1-15/16	1-7/16				.15	
CLM-12-BPDx-xx-S	12mm	.4709/.4694	.567	.565	.31	11/16	.97	1.24	2-3/16	1-19/32				1.97	.18
CLM-16-BPDx-xx-S	16mm	.6284/.6269	.748	.725	.43	13/16	1.14	1.44	2-7/16	1-3/4			1-5/16	2.45	.26
CLM-20-BPDx-xx-S	20mm	.7859/.7844	.948	.925	.56	1-1/8	1.29	1.59	2-25/32	2-3/16		2.62			.28

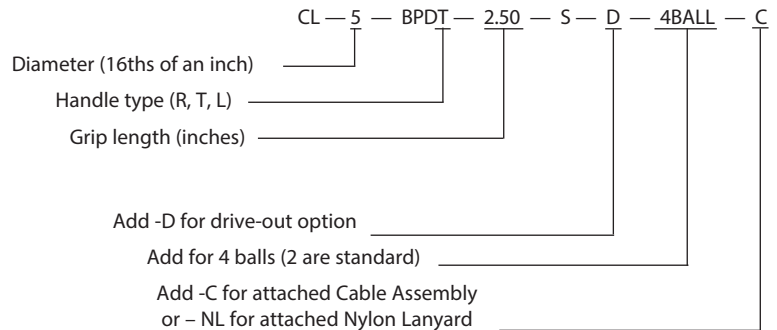
DOUBLE-ACTING BALL LOCK PINS

INFO+: SEE PAGE 40 FOR MATERIAL SPECIFICATIONS

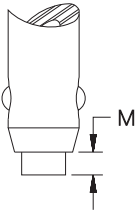
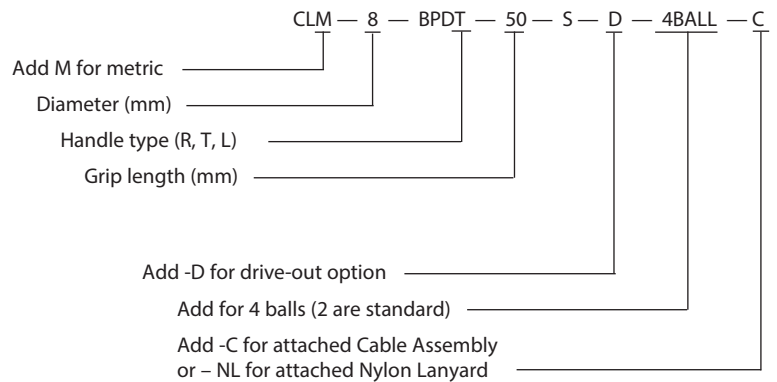


Similar to a single-acting pin, except the center spindle has two grooves instead of one, to release the ball by either pushing or pulling. Pushing on the handle releases the balls and inserts the pin in one motion. Pulling on the handle releases the balls and removes the pin in one motion. Available in steel or stainless steel. Choice of three handle styles: T, L, and Ring. Standard shank diameters from 3/16 to 1" (5 to 20mm in metric). Any grip length up to 6" (150mm in metric) is available as a standard, at no extra charge. Available in stainless steel only.

Ordering Example (INCH):

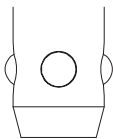


Ordering Example (METRIC):



Drive-Out Option

Double-acting Ball Lock Pins are available with a "drive-out" option, where the center spindle extends slightly beyond the shank end (see M dimension). This allows removing a pin under slight shear load by tapping the shank end with a hammer (releasing the balls at the same time).



4-Ball Option

Ball Lock Pins are optionally available in stainless steel instead of alloy steel for greater corrosion resistance. Pins are also available with four balls instead of two, as specials, for additional pull-out strength and more distributed ball-contact force.



Optional Cable

The optional attached Cable Assembly (-C) is 12" long (part no. CL-82-KA-12.0 if ordered separately), while the optional attached Nylon Lanyard (-NL) is 10" long (part no. CL-1-NL-10 if ordered separately). Both have an eyelet at the free end for a #10 or M5 attachment screw.

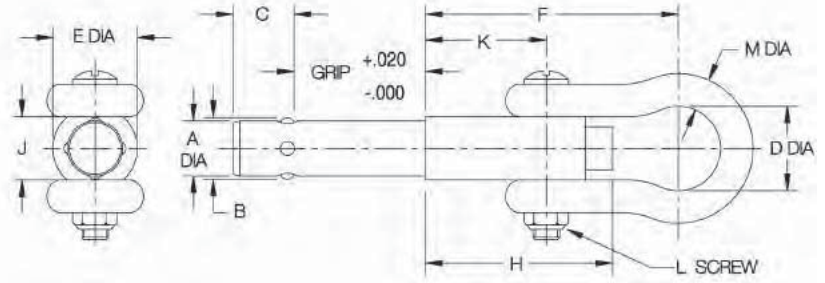
LIFTING PINS

SHANK: 17-4PH STAINLESS STEEL, HEAT TREATED RC 40 MIN; SPINDLE: 17-4PH STAINLESS STEEL;
 SHACKLE: FORGED STEEL PER RR-C271, ZINC PLATED CLEAR CHROMATE; BUTTON: 303 STAINLESS STEEL;
 CAP SCREW, NUT, AND BUSHING: 300-SERIES STAINLESS STEEL; SPRING: 302 STAINLESS STEEL; BALLS: 440C STAINLESS STEEL

1



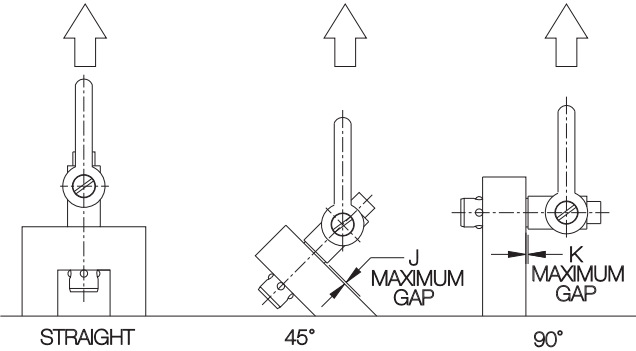
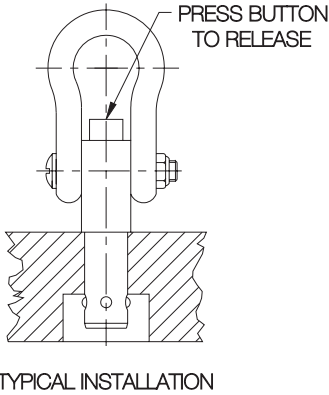
Stainless Steel



A single-acting ball lock pin with a solid, one-piece body and four balls for high tension loads. Sturdy forged shackle for heavy lifting. Shank diameters from 1/4 to 1" are available, in several standard lengths. **INFO+**: See safety precautions on page 66.

STAINLESS STEEL (INCH)

PART NO.	A DIA	GRIP	B	C	D DIA	E DIA	F	H	J	K	L	M DIA
CL-4-LFP-0.25-S	1/4 .2470/.2485	0.25	.287	.333	9/16	9/16	2.45	1.50	1/2	7/8	M6	3/16
CL-4-LFP-0.50-S		0.50										
CL-4-LFP-1.00-S		1.00										
CL-4-LFP-1.50-S		1.50										
CL-4-LFP-2.00-S		2.00										
CL-6-LFP-0.25-S	3/8 .3720/.3735	0.25	.438	.425	11/16	3/4	2.85	1.60	9/16	15/16	5/16-18	1/4
CL-6-LFP-0.50-S		0.50										
CL-6-LFP-1.00-S		1.00										
CL-6-LFP-1.50-S		1.50										
CL-6-LFP-2.00-S		2.00										
CL-6-LFP-3.00-S		3.00										
CL-8-LFP-0.50-S	1/2 .4970/.4985	0.50	.593	.519	13/16	13/16	3.15	1.80	11/16	1	3/8-16	5/16
CL-8-LFP-1.00-S		1.00										
CL-8-LFP-1.50-S		1.50										
CL-8-LFP-2.00-S		2.00										
CL-8-LFP-3.00-S		3.00										
CL-12-LFP-0.50-S	3/4 .7470/.7485	0.50	.887	.707	1-1/8	1-1/8	4.05	2.20	7/8	1-1/4	1/2-13	7/16
CL-12-LFP-1.00-S		1.00										
CL-12-LFP-2.00-S		2.00										
CL-12-LFP-3.00-S		3.00										
CL-16-LFP-0.50-S	1 .9970/.9985	0.50	1.217	.957	1-1/4	1-3/8	4.55	2.75	1-1/8	1-1/2	M8	1/2
CL-16-LFP-1.00-S		1.00										
CL-16-LFP-2.00-S		2.00										



TECHNICAL DATA

PART NO.	LOAD CAPACITY (LBS)*			J (45°)	K (90°)	RECOMMENDED HOLE DIA	
	STRAIGHT	45°	90°			MAX	MIN
CL-4-LFP-x.xx-S	210	170	120	.031	.037	.254	.250
CL-6-LFP-x.xx-S	520	520	350	.036	.042	.379	.375
CL-8-LFP-x.xx-S	980	900	770			.505	.500
CL-12-LFP-x.xx-S	2200	2200	2000	.041	.047	.757	.750
CL-16-LFP-x.xx-S	2900	2800	2500	.046	.052	1.010	1.000

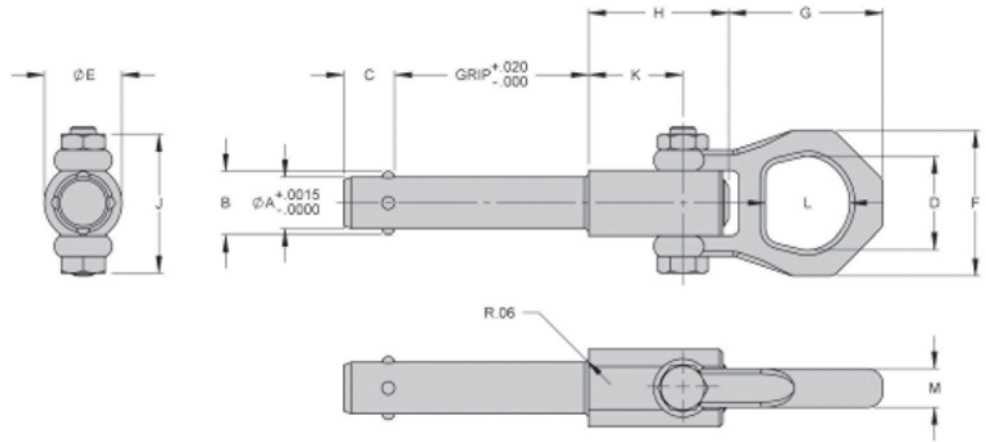
* 5:1 Safety factor, based on the average failing load of test specimens. See above for allowable installation-hole tolerances. Straight pull capacity assumes pin is installed in a hardened tool steel plate or bushing. Use standard lifting hook so that button is not depressed while lifting.

LIFTING PINS

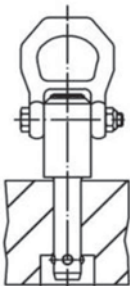
SHANK: ALLOY STEEL, HEAT TREATED, MANGANESE PHOSPHATE FINISH; SPINDLE: ALLOY STEEL, MANGANESE PHOSPHATE FINISH;
SHACKLE: ALLOY STEEL, HEAT TREATED, MANGANESE PHOSPHATE FINISH; BUTTON: ALUMINUM ALLOY, RED ANODIZED;
CAP SCREW, NUT, AND BUSHING: STEEL, ZINC PLATED CLEAR CHROMATE; SPRING: STAINLESS STEEL; BALLS: 440C STAINLESS STEEL



Alloy Steel



A single-acting ball lock pin with a solid, one-piece body and four balls for high tension loads. Positive locking until released by pushing the button. Sturdy forged shackle for heavy lifting. Manganese phosphate finish provides excellent lubricity and corrosion resistance. **INFO+**: See safety precautions on page 66.



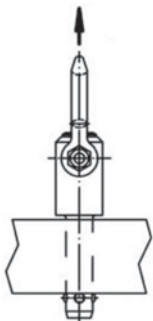
ALLOY STEEL (INCH)

PART NO.	A	GRIP	B	C	D	E	F	G	H	J	K	L	M
CL-4-LFPM-1.00	1/4 .2470/.2485	1.00	.29	.33	1.18	0.85	1.93	1.94	1.50	2.06	1.01	1.06	0.37
CL-6-LFPM-0.50	3/8 .3720/.3735	0.50	.44	.40									
CL-6-LFPM-1.00		1.00											
CL-8-LFPM-2.00	1/2 .4970/.4985	2.00	.59	.44									
CL-8-LFPM-3.00		3.00											

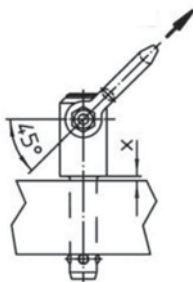
TECHNICAL DATA

PART NO.	LOAD CAPACITY (LBS)*			X		RECOMMENDED HOLE DIA	
	STRAIGHT	45°	90°	MIN	MAX	MAX	MIN
CL-4-LFPM-X.XX	210	170	110	.06	.20	.254	.250
CL-6-LFPM-X.XX	600	540	470		.39	.379	.375
CL-8-LFPM-X.XX	790	630	630		.59	.505	.500

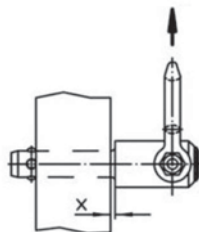
* 5:1 Safety factor, based on the average failing load of test specimens. See above for allowable installation-hole tolerances. Straight pull capacity assumes pin is installed in a hardened tool steel plate or bushing. Use standard lifting hook so that button is not depressed while lifting.



Straight



45°



90°

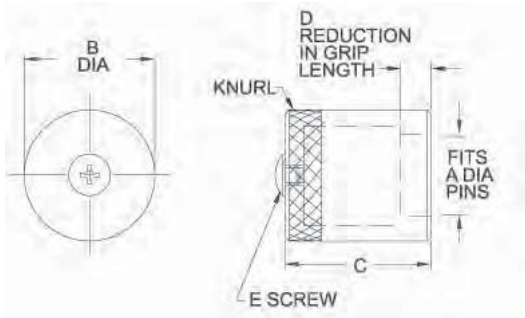
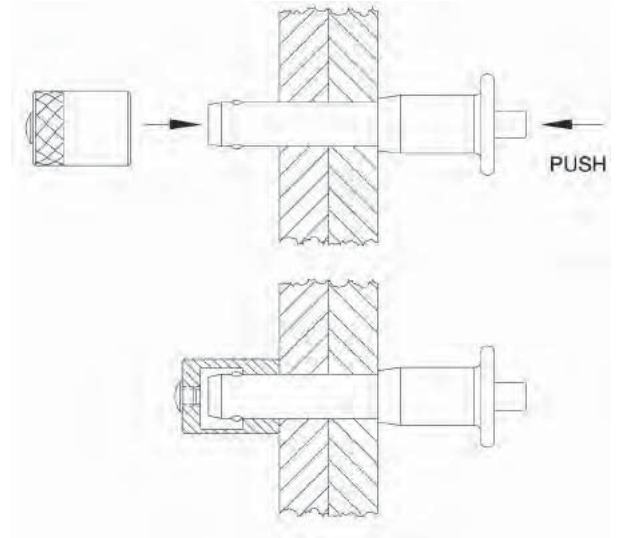
BALL LOCK RECEIVER CAPS

300+ SERIES STAINLESS STEEL, PASSIVATED

1



Receiver Caps are ideal for securing Ball Lock Pins used in clevis applications, especially when the through-hole has excess clearance. The Receiver Cap's inside diameter fits the Ball Lock Pin exactly, and is stepped to provide a perfect locking surface for the balls. Available to fit Ball Lock Pin diameters from 3/16 to 1" (5 to 20mm in metric). Made of 300-series stainless steel. Please note, using a Receiver Cap reduces the Ball Lock Pin's effective grip length slightly (see D dimension).



Receiver Caps are tapped to allow fastening the eyelet end of a standard Ball Lock Pin Cable Assembly (12" long) or Nylon Lanyard (10" long), and include a fastening screw.

INCH

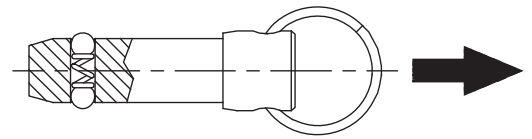
PART NO.	A DIA	B DIA	C	D	E
CL-3-BLR-S	3/16 (#10)	.50	.72	1/4	#10-32
CL-4-BLR-S	1/4	.50	.81		
CL-5-BLR-S	5/16	.63	.81		
CL-6-BLR-S	3/8	.75	1.16	1/2	
CL-7-BLR-S	7/16	.75	1.16		
CL-8-BLR-S	1/2	.88	1.25		
CL-9-BLR-S	9/16	.88	1.25		
CL-10-BLR-S	5/8	1.00	1.31		
CL-12-BLR-S	3/5	1.25	1.45		
CL-14-BLR-S	7/8	1.50	1.48		
CL-16-BLR-S	1	1.50	1.69		

METRIC

PART NO.	A DIA	B DIA	C	D	E
CLM-5-BLR-S	5mm	.50	.93	.39 (10mm)	M5
CLM-6-BLR-S	6mm	.50	.95		
CLM-8-BLR-S	8mm	.63	1.00		
CLM-10-BLR-S	10mm	.75	1.03		
CLM-12-BLR-S	12mm	.88	1.13		
CLM-16-BLR-S	16mm	1.00	1.25		
CLM-20-BLR-S	20mm	1.25	1.50		

DETENT PINS

INFO+: SEE PAGE 40 FOR MATERIAL SPECIFICATIONS



Solid alignment pin with spring-loaded locking balls (not positive locking like a Ball Lock Pin). Simply push pin to insert, and pull to remove. Available in steel or stainless steel. Standard shank diameters from 3/16 to 1" (6 to 20mm in metric). Note: 3/16-diameter pins have one ball, instead of two, due to their small size. Any grip length up to 6" (150mm in metric) is available as a standard, at no extra charge. Available from stock in many standard grip lengths, or quickly made to order in custom lengths and diameters.

Optional Cable

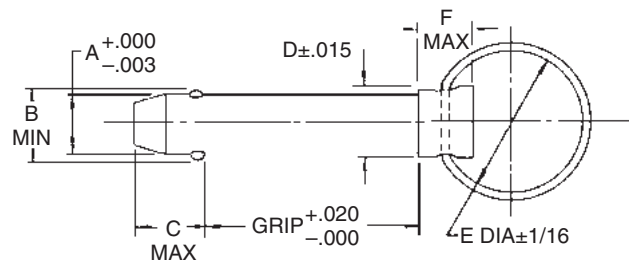
The optional attached Cable Assembly (-C) is 12" long (part no. CL-82-KA-12.0 if ordered separately), while the optional attached Nylon Lanyard (-NL) is 10" long (part no. CL-1-NL-10 if ordered separately). Both have an eyelet at the free end for a #10 or M5 attachment screw.

Ordering Example (INCH):

CL - 4 - DEP - 1.50 - S - C
 Diameter (16ths of an inch) | Grip length (inches) | Add -S for stainless steel (steel is standard) | Add -C for attached Cable Assembly or -NL for attached Nylon Lanyard

Ordering Example (Metric):

CLM - 6 - DEP - 50 - S - C
 Add M for metric | Diameter (mm) | Grip length (mm) | Add -S for stainless steel (steel is standard) | Add -C for attached Cable Assembly or -NL for attached Nylon Lanyard



- = STOCKED IN ALLOY STEEL ONLY
- X = STOCKED IN ALLOY AND STAINLESS STEEL

INCH

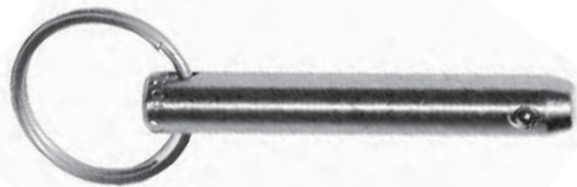
PART NO.	A DIA		B	C	D DIA	E DIA	F	STOCK GRIP LENGTHS, ALLOY STEEL (INCHES)																							
	NOMINAL	ACTUAL						.50	.75	1.00	1.25	1.50	1.75	2.00	2.25	2.50	2.75	3.00	3.25	3.50	3.75	4.00	4.50	5.00	6.00						
CL-3-DEP-x.xx	3/16 (#10)	.1880	.217	.250	.375	1.00	.562	•	X	X	X	X	•	•																	
CL-4-DEP-x.xx	1/4	.2480	.280	.344	.375			X	X	X	X	X	X	X	X	X	X	X	•	•	•	•	•	•	•	•	•	•	•	•	
CL-5-DEP-x.xx	5/16	.3105	.360	.359	.438			•	•	•	•	X	X	X	X	X	X	•	•	•	•	•	•	•	•	•	•	•	•	•	
CL-6-DEP-x.xx	3/8	.3730	.430	.390	.500			•	X	X	X	X	X	•	•	•	X	•	•	•	•	•	•	•	•	•	•	•	•	•	
CL-7-DEP-x.xx	7/16	.4355	.495	.469	.563				•		•			•			•	•	•	•	•	•	•	•	•	•	•	•	•	•	
CL-8-DEP-x.xx	1/2	.4980	.570	.516	.625			•	•	X	•	X	X	X	•	X	X	•	•	X	•	•	•	•	•	•	•	•	•	•	•
CL-9-DEP-x.xx	9/16	.5605	.645	.593	.688																										
CL-10-DEP-x.xx	5/8	.6230	.720	.672	.750			1.50	.562		•	•	•	•	•	•	•	•	•	•	•	•	•	•	•	•	•	•	•	•	
CL-12-DEP-x.xx	3/4	.7480	.860	.750	.875							•	•	•	•	•	•	•	•	•	•	•	•	•	•	•	•	•	•	•	•
CL-14-DEP-x.xx	7/8	.8730	1.03	.859	1.000																										
CL-16-DEP-x.xx	1	.9980	1.16	.984	1.125	2.00	.562																								

METRIC

PART NO.	A DIA		B	C	D DIA	E DIA	F	STOCK GRIP LENGTHS, ALLOY STEEL (MM)																								
	NOMINAL	ACTUAL						10	15	20	25	30	40	50	60	70	80	90	100													
CLM-6-DEP-xx	6mm	.2342	.266	.344	.375	1.00	.562	•	•	•	•	•	•	•	•	•	•	•	•	•	•	•	•	•	•	•	•	•				
CLM-8-DEP-xx	8mm	.3130	.363	.359	.438																											
CLM-10-DEP-xx	10mm	.3917	.451	.390	.500			•	•	•	•	•	•	•	•	•	•	•	•	•	•	•	•	•	•	•	•	•	•	•	•	
CLM-12-DEP-xx	12mm	.4704	.540	.516	.563																											
CLM-16-DEP-xx	16mm	.6279	.725	.672	.750			1.50	.562																							
CLM-20-DEP-xx	20mm	.7854	.897	.750	1.000																											

MARINE DETENT PINS

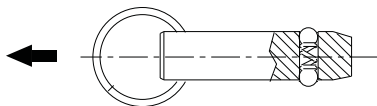
SHANK: 316 STAINLESS STEEL
RING: 316 OR 300-SERIES STAINLESS STEEL
SPRING & BALLS: 316 STAINLESS STEEL



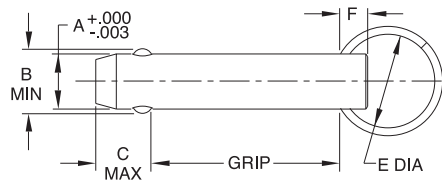
Ordering Example (INCH):

CL-4-MDP-1.50-S-C

Diameter (16ths of an inch) ————
Grip length (inches) ————
Add -C for attached Cable Assembly
or -NL for attached Nylon Lanyard



Marine Detent Pins are made of 316 stainless steel for extra corrosion resistance. Economical quick-release alignment pin with a solid shank and spring-loaded locking balls. This type of Detent Pin has a ring instead of a solid shoulder, for applications where exact grip length is not important. Locking balls hold the pin in place by spring force (not positive locking like a Ball Lock Pin). Simply push the pin to insert, and pull to remove. Available in standard pin diameters from 3/16 to 1/2", in stainless steel only. Note: 3/16" pins have only one locking ball instead of two due to their small size. Available from stock in many standard grip lengths, with other grip lengths available as specials. Optionally available with an attached Cable Assembly (-C) or an attached Nylon Lanyard (-NL).



DIMENSIONS (INCH)

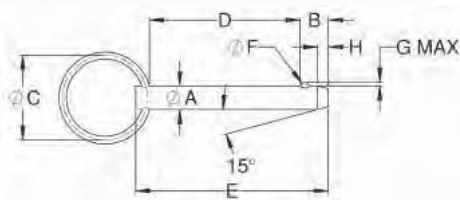
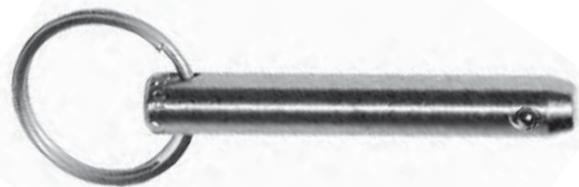
PART NO.	A DIA		B	C	E DIA	F DIA
	NOMINAL	ACTUAL				
CL-3-MDP-x.xx-S	3/16 (#10)	.1880	.200	.329	1.00	.25
CL-4-MDP-x.xx-S	1/4	.2480	.280	.344		
CL-5-MDP-x.xx-S	5/16	.3105	.360	.359		
CL-6-MDP-x.xx-S	3/8	.3730	.430	.390		
CL-8-MDP-x.xx-S	1/2	.4980	.570	.516		

STANDARD STOCK GRIP LENGTHS (INCH)

PART NO.	NOMINAL SHANK DIA	GRIP LENGTH (INCHES)												
		0.50	0.75	1.00	1.25	1.50	1.75	2.00	2.25	2.50	3.00	3.50	4.00	
CL-3-MDP-x.xx-S	3/16 (#10)													
CL-4-MDP-x.xx-S	1/4													
CL-5-MDP-x.xx-S	5/16													
CL-6-MDP-x.xx-S	3/8													
CL-8-MDP-x.xx-S	1/2													

ECONOMY DETENT PINS

SHANK: MILD STEEL, ZINC PLATED CLEAR CHROMATE
RING: STEEL SPRING WIRE, ZINC PLATED CLEAR CHROMATE
SPRING & BALLS: STEEL



New Item!

Economical quick-release alignment pin with a solid steel shank and one spring-loaded locking ball. This type of Detent Pin has a ring instead of a solid shoulder, for applications where exact grip length is not important. Locking ball holds the pin in place by spring force (not positive locking like a Ball Lock Pin). Simply push the pin to insert, and pull to remove. Available in standard pin diameters 3/16", 1/4", 5/16", and 1/2", in the standard grip lengths listed below. Optionally available with an attached Cable Assembly (-C) or an attached Nylon Lanyard (-NL). For other diameters and grip lengths, see above for Marine Detent Pins (the stainless steel version of this pin).

INCH

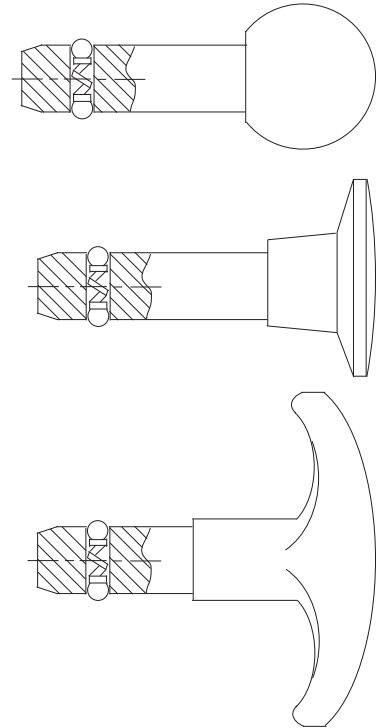
PART NO.	A DIA		B	C DIA	D GRIP LENGTH	E	F DIA	G	H
	NOMINAL	ACTUAL							
CL-3-EDP-1.00	3/16	.1855 / .1880	.23	7/8	1.00	1.37	3/32	.028	.08
CL-4-EDP-1.25	1/4	.2480 / .2505	.28	1	1.25	1.67	1/8	.038	.09
CL-4-EDP-1.50					1.50	1.92			
CL-5-EDP-1.00	5/16	.3105 / .3130	.34	1	1.00	1.53	5/32	.047	.13
CL-8-EDP-1.50	1/2	.4980 / .5005	.52	1-1/4	1.50	2.25	1/4	.075	.17
CL-8-EDP-2.00					2.00	2.75			

THREADED DETENT PINS

SHANK: 300-SERIES STAINLESS STEEL
 SPRING: 17-7PH OR 302 STAINLESS STEEL
 BALLS: 440C STAINLESS STEEL



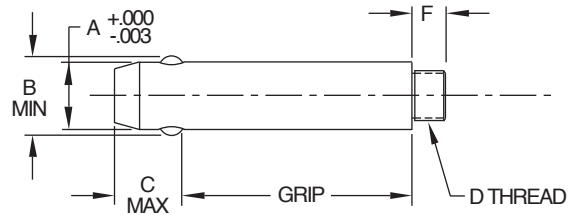
Threaded Detent Pins are solid alignment pins with a ground shank and a threaded end for a knob handle. Two locking balls hold the pin in place by spring force. Simply push to insert, and pull to remove. The threaded end accepts virtually any type of knob handle (order separately — available in steel, stainless steel, and several different plastics). Knob handles can be permanently secured with thread-locking adhesive if desired. Threaded Detent Pins are available in stainless steel only. Standard shank diameters from 3/16 to 1/2" (6 to 10mm in metric), each in a choice of many standard grip lengths. Note: 3/16-diameter pins have only one locking ball instead of two due to their small size. Available from stock only in the standard grip lengths listed (other grip lengths available as specials).



INCH

PART NO.	A DIA		GRIP LENGTH	B	C	D	F
	NOMINAL	ACTUAL					
CL-3-TDP-0.50-S	3/16(#10)	.1880	.50	.200	.250	#8-32	1/4
CL-3-TDP-0.75-S			.75				
CL-3-TDP-1.00-S			1.00				
CL-3-TDP-1.25-S			1.25				
CL-3-TDP-1.50-S			1.50				
CL-3-TDP-1.75-S			1.75				
CL-3-TDP-2.00-S			2.00				
CL-4-TDP-0.50-S	1/4	.2480	.50	.280	.344	#10-32	1/4
CL-4-TDP-0.75-S			.75				
CL-4-TDP-1.00-S			1.00				
CL-4-TDP-1.25-S			1.25				
CL-4-TDP-1.50-S			1.50				
CL-4-TDP-1.75-S			1.75				
CL-4-TDP-2.00-S			2.00				
CL-4-TDP-2.50-S	2.50						
CL-4-TDP-3.00-S	3.00						
CL-5-TDP-0.75-S	5/16	.3105	.75	.360	.359	1/4-20	3/8
CL-5-TDP-1.00-S			1.00				
CL-5-TDP-1.25-S			1.25				
CL-5-TDP-1.50-S			1.50				
CL-5-TDP-1.75-S			1.75				
CL-5-TDP-2.00-S			2.00				
CL-5-TDP-2.50-S			2.50				
CL-5-TDP-3.00-S	3.00						
CL-6-TDP-0.75-S	3/8	.3730	.75	.430	.390	1/4-20	3/8
CL-6-TDP-1.00-S			1.00				
CL-6-TDP-1.25-S			1.25				
CL-6-TDP-1.50-S			1.50				
CL-6-TDP-1.75-S			1.75				
CL-6-TDP-2.00-S			2.00				
CL-6-TDP-2.50-S			2.50				
CL-6-TDP-3.00-S	3.00						
CL-6-TDP-3.50-S	3.50						
CL-6-TDP-4.00-S	4.00						
CL-8-TDP-1.00-S	1/2	.4980	1.00	.570	.516	3/8-16	1/2
CL-8-TDP-1.50-S			1.50				
CL-8-TDP-2.00-S			2.00				
CL-8-TDP-2.50-S			2.50				
CL-8-TDP-3.00-S			3.00				
CL-8-TDP-3.50-S			3.50				
CL-8-TDP-4.00-S			4.00				

INFO+: For a wide selection of knob handles to fit these Threaded Detent Pins, see pages 139-146.



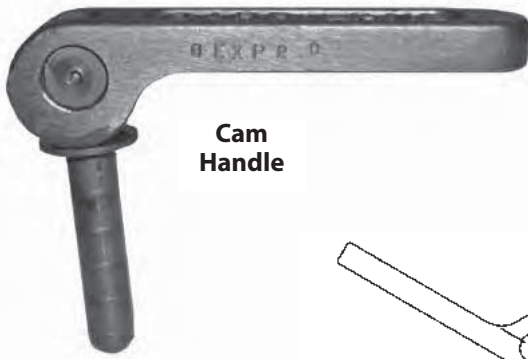
METRIC

PART NO.	A DIA		GRIP LENGTH	B	C	D	F
	NOMINAL	ACTUAL					
CLM-6-TDP-15-S	6mm	.2342	15mm	.266	.344	M5	.24
CLM-6-TDP-20-S			20mm				
CLM-6-TDP-25-S			25mm				
CLM-6-TDP-30-S			30mm				
CLM-6-TDP-40-S			40mm				
CLM-6-TDP-50-S	50mm						
CLM-8-TDP-20-S	8mm	.3130	20mm	.363	.359	M6	.39
CLM-8-TDP-25-S			25mm				
CLM-8-TDP-30-S			30mm				
CLM-8-TDP-40-S			40mm				
CLM-8-TDP-50-S	50mm						
CLM-10-TDP-20-S	10mm	.3917	20mm	.451	.390	M8	.39
CLM-10-TDP-25-S			25mm				
CLM-10-TDP-30-S			30mm				
CLM-10-TDP-40-S			40mm				
CLM-10-TDP-50-S			50mm				

EXPANDING PINS

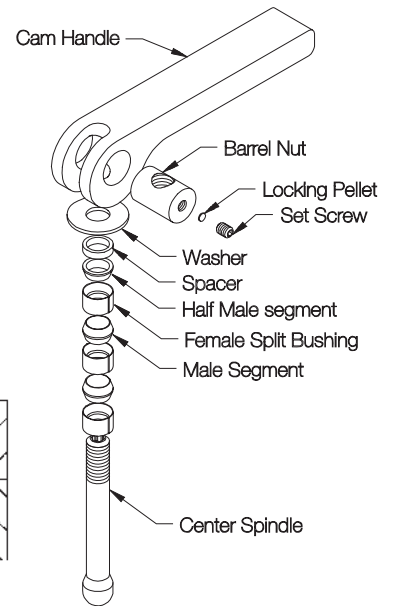
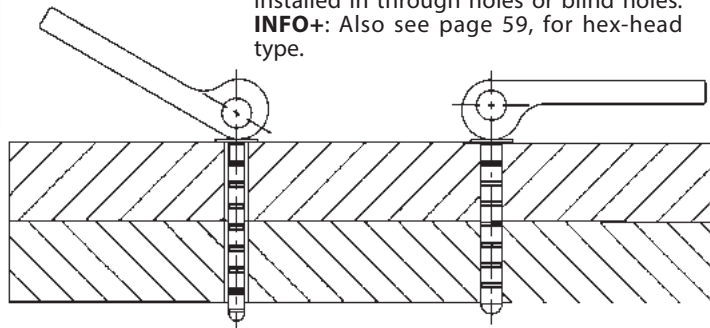
SPLIT BUSHINGS, MALE SEGMENTS, & SPACERS: 17-4PH STAINLESS STEEL, RC 40 MIN, PASSIVATED, DRY FILM LUBE
 CENTER SPINDLE: 17-4PH STAINLESS STEEL, RC 36-40, PASSIVATED, DRY FILM LUBE
 BARREL NUT & WASHER: 17-4PH STAINLESS STEEL, PASSIVATED, DRY FILM LUBE
 HANDLE: ALUMINUM ALLOY, BLACK ANODIZED

1

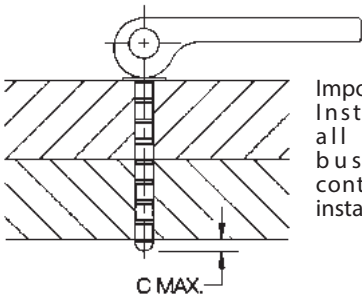


Cam Handle

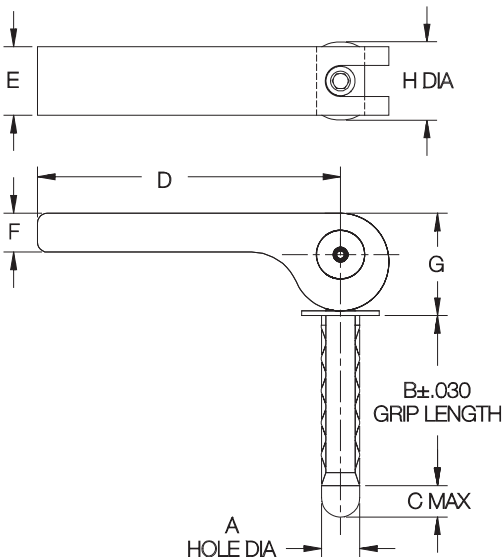
Precision alignment pin that expands up to .006 inches to tighten up hole clearance. The pin is an assembly of female split bushings separated by male segments, on a center spindle, that expands when drawn together. This assembly provides excellent shear strength, comparable to a solid pin. Diameters from 1/4 to 3/4" are available in several standard lengths. Pins can be installed in through holes or blind holes. **INFO+**: Also see page 59, for hex-head type.



Moving the cam handle expands pin diameter up to .006 inches, to take up slack and secure the pin in place. If additional adjustment is required, remove set screw and turn the cam handle.



Important: Install so that all expanding bushings are contained in the installation hole.



CAM HANDLE

PART NO.	A DIA			B	C	D	E	F	G	H DIA	DOUBLE-SHEAR STRENGTH (LBS)*
	NOMINAL	MIN	MAX								
CL-4-EXP-0.50	1/4	.250	.254	.50	1/4	2-3/8	1/2	5/16	.81	5/8	4,000
CL-4-EXP-0.75				.75							
CL-4-EXP-1.00				1.00							
CL-4-EXP-1.50				1.50							
CL-4-EXP-2.00				2.00							
CL-4-EXP-3.00	3.00										
CL-5-EXP-1.00	5/16	.312	.317	1.00	5/16	2-3/8	1	1/2	1.12	1	6,300
CL-5-EXP-2.00				2.00							
CL-5-EXP-3.00				3.00							
CL-6-EXP-1.00	3/8	.375	.380	1.00	3/8	4-1/2	1	1/2	1.12	1	9,000
CL-6-EXP-1.50				1.50							
CL-6-EXP-2.00				2.00							
CL-6-EXP-3.00	3.00										
CL-8-EXP-0.50	1/2	.500	.505	.50	1/2	4-1/2	1	1/2	1.12	1	16,100
CL-8-EXP-1.00				1.00							
CL-8-EXP-1.50				1.50							
CL-8-EXP-2.00				2.00							
CL-8-EXP-3.00				3.00							
CL-10-EXP-1.00	5/8	.625	.630	1.00	5/8	4-1/2	1	1/2	1.31	1	25,100
CL-10-EXP-1.50				1.50							
CL-10-EXP-2.00				2.00							
CL-10-EXP-3.00	3.00										
CL-12-EXP-2.00	3/4	.750	.757	2.00	3/4	6	1-1/4	3/4	2.09	1-1/4	36,200
CL-12-EXP-3.00				3.00							
CL-12-EXP-4.00				4.00							

* 2:1 Safety Factor

EXPANDING PINS

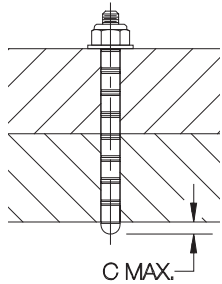
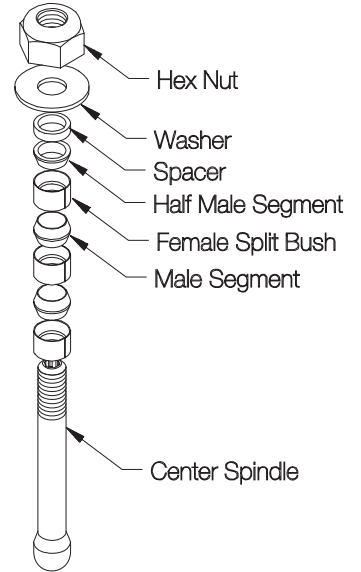
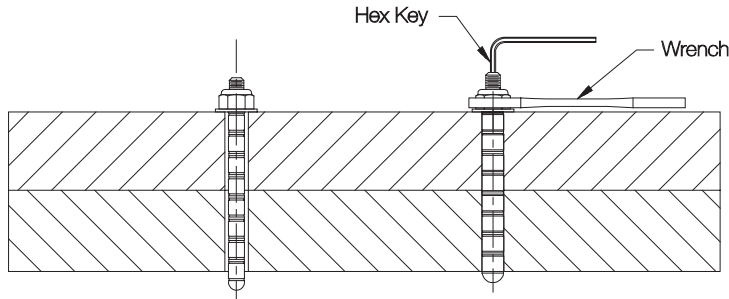
SPLIT BUSHINGS, MALE SEGMENTS, & SPACERS: 17-4PH STAINLESS STEEL, RC 40 MIN, PASSIVATED, DRY FILM LUBE
 CENTER SPINDLE: 17-4PH STAINLESS STEEL, RC 36-40, PASSIVATED, DRY FILM LUBE
 WASHER: 17-4PH STAINLESS STEEL, PASSIVATED, DRY FILM LUBE
 HEX NUT: 17-4PH STAINLESS STEEL, WITH LOCKING ELEMENT

1



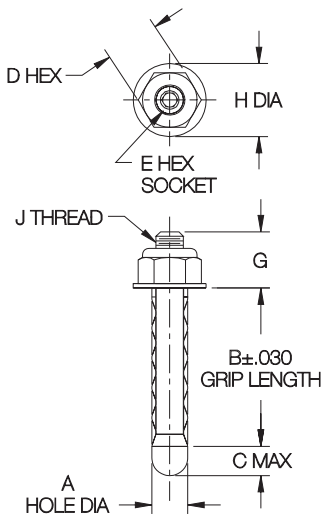
Hex Head

Precision alignment pin that expands up to .006 inches to tighten up hole clearance. The pin is an assembly of female split bushings separated by male segments, on a center spindle, that expands when drawn together. This assembly provides excellent shear strength, comparable to a solid pin. Diameters from 1/4 to 3/4" are available in several standard lengths. Pins can be installed in through holes or blind holes. **INFO+**: Also see page 58, for cam-handle type.



Tightening the hex nut with a wrench expands pin diameter up to .006 inches, to take up slack and secure the pin in place. Hold center spindle stationary with a hex key while tightening.

Important: Install pin so that all split bushings are contained in the installation hole.



HEX HEAD

PART NO.	A DIA			B	C	D	E	G	H DIA	J	DOUBLE-SHEAR STRENGTH (LBS)*	INSTALLATION TORQUE (FT-LBS)
	NOMINAL	MIN	MAX									
CL-4-EXPH-0.50	1/4	.250	.254	.50	1/4	3/8	3/32	.39	.67	#10-32	4,000	3
CL-4-EXPH-0.75				.75								
CL-4-EXPH-1.00				1.00								
CL-4-EXPH-1.50				1.50								
CL-4-EXPH-2.00				2.00								
CL-4-EXPH-3.00				3.00								
CL-5-EXPH-1.00	5/16	.312	.317	1.00	5/16	3/8	3/32	.40	.67	#10-32	6,300	3
CL-5-EXPH-2.00				2.00								
CL-5-EXPH-3.00				3.00								
CL-6-EXPH-1.00	3/8	.375	.380	1.00	3/8	7/16	1/8	.49	.67	1/4-28	9,000	7.5
CL-6-EXPH-1.50				1.50								
CL-6-EXPH-2.00				2.00								
CL-6-EXPH-3.00				3.00								
CL-8-EXPH-0.50	1/2	.500	.505	.50	1/2	9/16	3/16	.71	.92	3/8-24	16,100	29
CL-8-EXPH-1.00				1.00								
CL-8-EXPH-1.50				1.50								
CL-8-EXPH-2.00				2.00								
CL-8-EXPH-3.00				3.00								
CL-10-EXPH-1.00	5/8	.625	.630	1.00	5/8	3/4	1/4	.90	1.22	1/2-20	25,100	83
CL-10-EXPH-1.50				1.50								
CL-10-EXPH-2.00				2.00								
CL-10-EXPH-3.00				3.00								
CL-12-EXPH-2.00	3/4	.750	.757	2.00	3/4	7/8	1/4	1.02	1.35	9/16-18	36,200	121
CL-12-EXPH-3.00				3.00								
CL-12-EXPH-4.00				4.00								

* 2:1 Safety Factor

CABLE ASSEMBLIES

INFO+: SEE PAGES 62-63 FOR MATERIAL SPECIFICATIONS

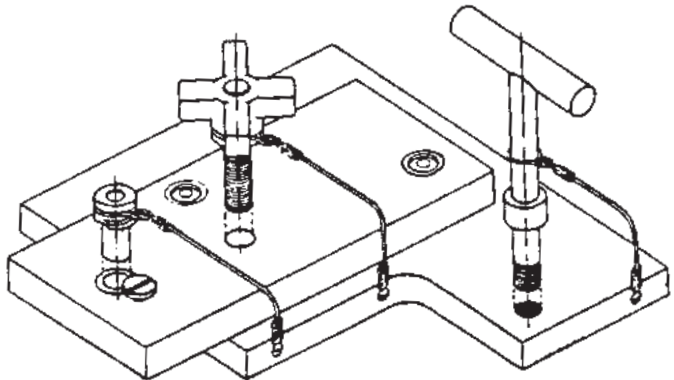
1



Cable Assemblies are ideal for attaching removable tooling components. High-strength stranded wire cable with a green nylon coating. These versatile attachment cables are available with various loops, Cable Rings, Terminals, and Cable Tabs (see page 55 for assembly drawings and example part numbers).

Cable Assemblies are available in four cable sizes, in steel or stainless steel (#1 cable is only available in stainless steel). Stainless Cable Assemblies with Cable Rings are furnished with stainless Cable Rings. Minimum assembly length is 3.0". Length tolerance is held to $\pm 1/4"$ up to 24" long. **INFO+**: See page 62-63 for dimensions and specifications of Ferrules, Cable Rings, Terminals, and Cable Tabs. Note: These Cable Assemblies should not be used for lifting and other high-tension applications.

INFO+: To order Cable Assemblies with an uncrimped ferrule (for installation), add a suffix to the part number shown on page 61:
 -L for uncrimped left end
 -R for uncrimped right end
 -LR for both ends uncrimped

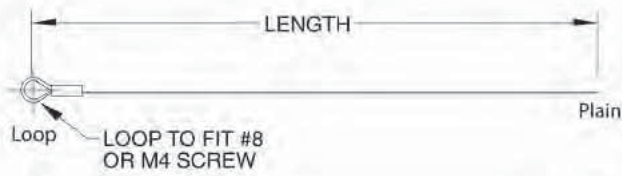


Cable Sizes

ASSEMBLY TYPE	LEFT END	RIGHT END	CABLE SIZES							
			1		2		3		4	
			STAINLESS	STEEL	STAINLESS	STEEL	STAINLESS	STEEL	STAINLESS	STEEL
1	LOOP	PLAIN	CL-11-KA	CL-12-KA	CL-12-SKA	CL-13-KA	CL-13-SKA	CL-14-KA	CL-14-SKA	
2	LOOP	LOOP	CL-21-KA	CL-22-KA	CL-22-SKA	CL-23-KA	CL-23-SKA	CL-24-KA	CL-24-SKA	
3	CABLE RING	PLAIN	CL-31-KA	CL-32-KA	CL-32-SKA	CL-33-KA	CL-33-SKA	--	--	
4	CABLE RING	LOOP	CL-41-KA	CL-42-KA	CL-42-SKA	CL-43-KA	CL-43-SKA	--	--	
5	CABLE RING	CABLE RING	CL-51-KA	CL-52-KA	CL-52-SKA	CL-53-KA	CL-53-SKA	--	--	
6	#5 TERMINAL	#5 TERMINAL	--	--	--	CL-63-KA	CL-63-SKA	--	--	
7	#10 TERMINAL	#10 TERMINAL	--	CL-72-KA	CL-72-SKA	CL-73-KA	CL-73-SKA	--	--	
8	#10 TERMINAL	LOOP	--	CL-82-KA	CL-82-SKA	--	--	--	--	
9	#10 TERMINAL	CABLE RING	--	CL-92-KA	CL-92-SKA	--	--	--	--	
10	#10 TERMINAL	PLAIN	--	CL-102-KA	CL-102-SKA	--	--	--	--	
11	TAB	TAB	CL-111-KA	CL-112-KA	CL-112-SKA	CL-113-KA	CL-113-SKA	--	--	
12	TAB	LOOP	CL-121-KA	CL-122-KA	CL-122-SKA	CL-123-KA	CL-123-SKA	--	--	
13	TAB	CABLE RING	CL-131-KA	CL-132-KA	CL-132-SKA	CL-133-KA	CL-133-SKA	--	--	
14	TAB	PLAIN	CL-141-KA	CL-142-KA	CL-142-SKA	CL-143-KA	CL-143-SKA	--	--	

CABLE ASSEMBLIES

Type 1



Type 2



Type 3



Type 4



Type 5



Type 6



Type 7



Type 8



Type 9



Type 10



Type 11



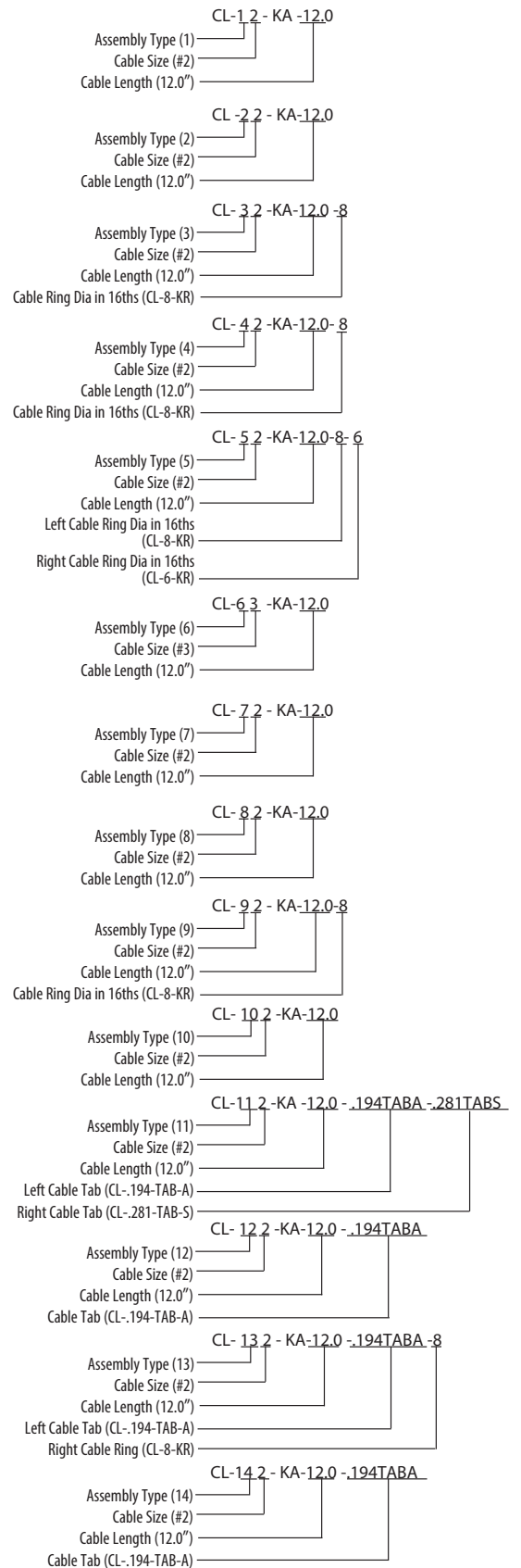
Type 12



Type 13



Type 14



CABLE

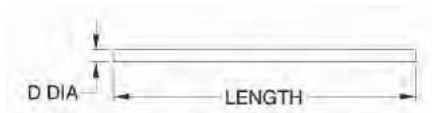
GALVANIZED STEEL OR STAINLESS STEEL,
NYLON COATED (GREEN)



Cable Sizes

High-strength stranded wire cable with a green nylon coating. Choice of four cable diameters. Cable size 1 is made of stainless steel. Sizes 2, 3, and 4 are available in either galvanized steel or stainless steel. Cable is available in cut pieces (inch or mm), in bulk lengths, (feet or meters, 10 ft/ 3m minimum), or in 1000-ft rolls. Cut pieces are held to a $\pm 1/4"$ length tolerance up to 24" long. Examples:

CL-2-C-12.0 (Cut piece, #2 cable, 12" long)



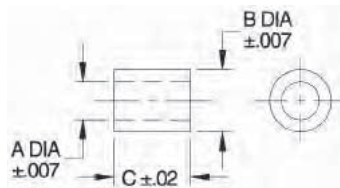
CABLE SIZE	MATERIAL	PART NO.	LENGTH	D DIA		CONSTRUCTION	BREAKING STRENGTH (LBS)
				COATED	WIRE		
1	STAINLESS STEEL	CL-1-C-50FT	50 Feet	.044	.024	1x7	80
		CL-1-C-100FT	100 Feet				
		CL-1-C-250FT	250 Feet				
		CL-1-C-1000FT	1000 Feet				
2	STEEL	CL-2-C-50FT	50 Feet	.062	.047	7x7	270
		CL-2-C-100FT	100 Feet				
		CL-2-C-250FT	250 Feet				
		CL-2-C-1000FT	1000 Feet				
	STAINLESS STEEL	CL-2-SC-50FT	50 Feet				
		CL-2-SC-100FT	100 Feet				
		CL-2-SC-250FT	250 Feet				
		CL-2-SC-1000FT	1000 Feet				
3	STEEL	CL-3-C-50FT	50 Feet	.094	.062	7x7	480
		CL-3-C-100FT	100 Feet				
		CL-3-C-250FT	250 Feet				
		CL-3-C-1000FT	1000 Feet				
	STAINLESS STEEL	CL-3-SC-50FT	50 Feet				
		CL-3-SC-100FT	100 Feet				
		CL-3-SC-250FT	250 Feet				
		CL-3-SC-1000FT	1000 Feet				
4	STEEL	CL-4-C-50FT	50 Feet	.187	.125	7x19	800
		CL-4-C-100FT	100 Feet				
		CL-4-C-250FT	250 Feet				
		CL-4-C-1000FT	1000 Feet				
	STAINLESS STEEL	CL-4-SC-50FT	50 Feet				
		CL-4-SC-100FT	100 Feet				
		CL-4-SC-250FT	250 Feet				
		CL-4-SC-1000FT	1000 Feet				

FERRULES

COPPER, ELECTRO TIN PLATED



Ferrules are for crimping on our nylon-coated cable to make a loop. Ferrules may be slightly elliptical (precrimped) at our option. Available for all four standard cable sizes. Extra-long ferrules are available for #2 and #3 cable, to allow double crimping.



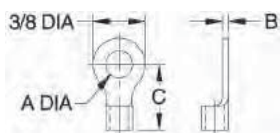
PART NO.	FITS CABLE	A	B	C
CL-1-F	SIZE 1	.094	.154	.315
CL-2-F	SIZE 2	.138	.213	.335
CL-4-F				.591
CL-3-F	SIZE 3	.185	.276	.374
CL-5-F				.827
CL-6-F	SIZE 4	.378	.520	1.260

TERMINALS

COPPER, ELECTRO TIN PLATED



Terminals are for crimping on our nylon-coated cable, to allow attaching the end with a screw. Available for #2 and #3 cable.



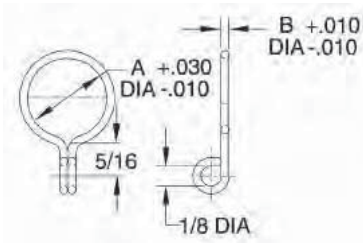
PART NO.	FITS CABLE	A		
		A DIA	SCREW SIZE	B
CL-.194-TERM-2	SIZE 2	.21	#10 (or M5)	.03
CL-.129-TERM	SIZE 3	.13	#5 (or M3)	.04
CL-.194-TERM		.21	#10 (or M5)	.04

CABLE RINGS

SPRING STEEL WIRE, BLACK OXIDE FINISH



Cable Rings allow attaching Cable Assemblies to a diameter or radial groove. Can be used with cable sizes #1, #2, and #3. Available in steel or stainless steel.



PART NO. STEEL	PART NO. STAINLESS	A DIA	B WIRE DIA	
			STEEL	STAINLESS
CL-2-KR	CL-2-SKR	1/8 (also 3mm)	.045	.062
CL-3-KR	CL-3-SKR	3/16 (also 4&5mm)		
CL-4-KR	CL-4-SKR	1/4 (also 6&7mm)		
CL-5-KR	CL-5-SKR	5/16 (also 8mm)		
CL-6-KR	CL-6-SKR	3/8 (also 9&10mm)		
CL-7-KR	CL-7-SKR	7/16 (also 11mm)		
CL-8-KR	CL-8-SKR	1/2 (also 12&13mm)		
CL-9-KR	CL-9-SKR	9/16 (also 14&15mm)		
CL-10-KR	CL-10-SKR	5/8 (also 16mm)		
CL-11-KR	CL-11-SKR	11/16 (also 17&18mm)		
CL-12-KR	CL-12-SKR	3/4 (also 19&20mm)		
CL-13-KR	CL-13-SKR	13/16 (also 21mm)		
CL-14-KR	CL-14-SKR	7/8 (also 22 or 23mm)		
CL-15-KR	CL-15-SKR	15/16 (also 24mm)		
CL-16-KR	CL-16-SKR	1 (also 25&26mm)		
CL-17-KR	CL-17-SKR	1-1/16 (also 27mm)		
CL-18-KR	CL-18-SKR	1-1/8 (also 28&29mm)		
CL-19-KR	CL-19-SKR	1-3/16 (also 30&31mm)		
CL-20-KR	CL-20-SKR	1-1/4 (also 32mm)		
CL-21-KR	CL-21-SKR	1-5/16 (also 33&34mm)		
CL-22-KR	CL-22-SKR	1-3/8 (also 35 mm)		
CL-23-KR	CL-23-SKR	1-7/16 (also 36&37mm)		
CL-24-KR	CL-24-SKR	1-1/2 (also 38mm)		

CABLE TABS

ALUMINUM: 6061 ALUMINUM ALLOY, CLEAR ANODIZED. STAINLESS: 300-SERIES STAINLESS STEEL, PASSIVATED

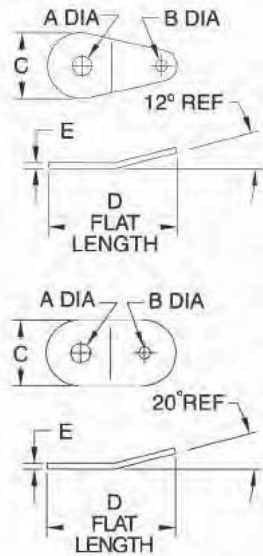


Teardrop



Rectangular

Cable Tabs attach to our nylon-coated cable, to allow attaching the end with a screw. Can be used with cable sizes #1, #2, and #3. Available in two shapes, teardrop and rectangular. Available in aluminum and stainless steel.



TEARDROP

PART NO. ALUMINUM	PART NO. STAINLESS STEEL	FITS CABLE	A SCREW SIZE		B DIA	C	D	E
			DIA	SIZE				
CL-129-TAB-A	CL-129-TAB-S	SIZES 1 TO 3	.13	#5 (or M3)	.13	.69	1.31	.06
CL-194-TAB-A	CL-194-TAB-S		.20	#10 (or M4)				
CL-281-TAB-A	CL-281-TAB-S		.28	1/4 (or M6)				

RECTANGULAR

PART NO. ALUMINUM	PART NO. STAINLESS STEEL	FITS CABLE	A SCREW SIZE		B DIA	C	D	E
			DIA	SIZE				
CL-129-TABR-2-A	CL-129-TABR-2-S	SIZES 1 TO 2	.13	#5 (or M3)	.09	1/2	1.14	.06
CL-194-TABR-2-A	CL-194-TABR-2-S		.20	#10 (or M4)				
CL-281-TABR-2-A	CL-281-TABR-2-S		.28	1/4 (or M6)				
CL-194-TABR-3-A	CL-194-TABR-3-S	SIZES 1 TO 3	.20	#10 (or M4)	.19	1/2	1.14	.06
CL-281-TABR-3-A	CL-281-TABR-3-S		.28	1/4 (or M6)				

CRIMPING TOOLS

STEEL WITH PLASTIC HANDGRIPS



Plier tool for manually crimping ferrules on our nylon-coated cable. Crimps ferrules on either #1 or #2 cable. Heavier cable sizes require power crimping and should be ordered finish-crimped from the factory whenever possible.

PART NO.	FOR CABLE	FOR FERRULES
CL-1-CT	SIZE 1 SIZE 2	CL-1-F CL-2-F CL-4-F

NYLON LANYARDS

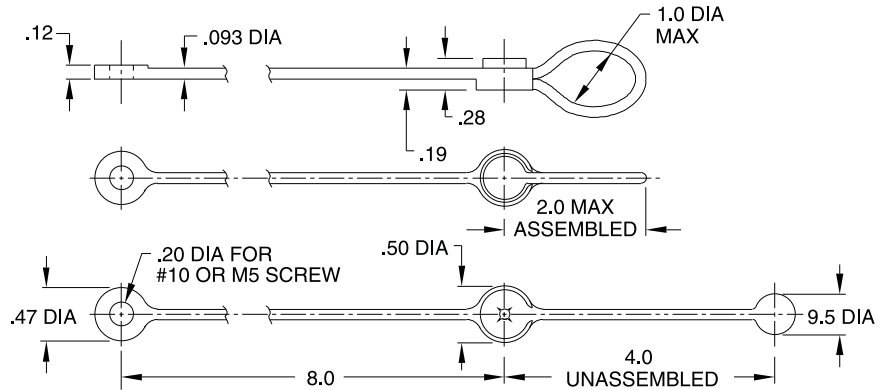
ZYTEL® HIGH-STRENGTH NYLON, BLACK

1



High-strength nylon lanyard with one eyelet end and one loop end. The eyelet end can be fastened with a screw. The loop end is supplied open – simply snap together to create a permanent assembly. Snap assembly allows on-site attachment without a crimping tool. These economical lanyards are ideal for applications where the attached item is occasionally removed, by cutting the lanyard, and replaced.

Available in one length (10" assembled). Eyelet accepts a #10 or M5 screw. A minimum pass-through diameter of 3/8" is required for attachment. Made in USA.



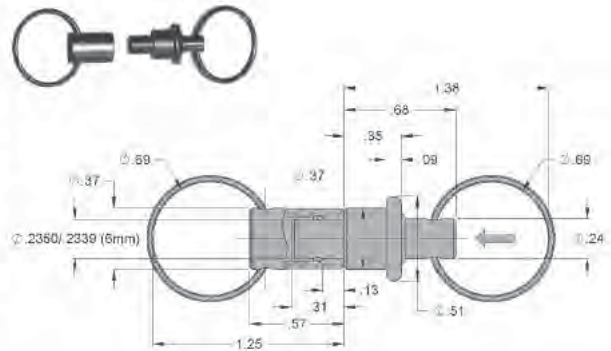
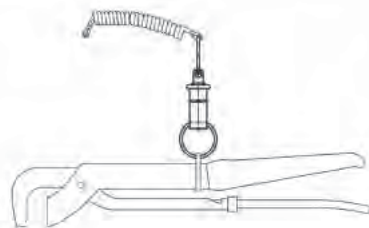
PART NO.	LANYARD DIA	LENGTH (ASSEMBLED)	EYELET	
			ID	FOR SCREW
CL-1-NL-10	.093	10	.20	#10 OR M5

BALL LOCK COUPLING RINGS

PIN AND RECEIVER: 303 STAINLESS STEEL
RINGS, SPRING, AND BALLS: STAINLESS STEEL



This tiny quick-release coupling assembly incorporates a rugged, high-quality Ball Lock Pin mechanism. Allows quick, reliable connection and disconnection of items attached to a cable assembly. Simply press the button to release. One half of the coupling ring is essentially a small Ball Lock Pin with a split ring through the push button; the other half is a mating receiver, also with a split ring through it. The coupling is positive locking until released by pushing the button, which moves the center spindle forward to allow the locking balls to retract. Made of 300-series stainless steel for excellent corrosion resistance. Note: photo at left is shown actual size.



PART NO.	PIN DIA	RATED LOAD CAPACITY (LBS)	MAXIMUM OPERATING TEMPERATURE
CLM-6-BLCR-S	6MM	7	480°F

HOIST RINGS

2



Swivel Hoist Rings



Side-Pull Hoist Rings



Pivoting Hoist Rings



Lifting Eyes



**Hoist Ring
Accessories**

HOIST RINGS

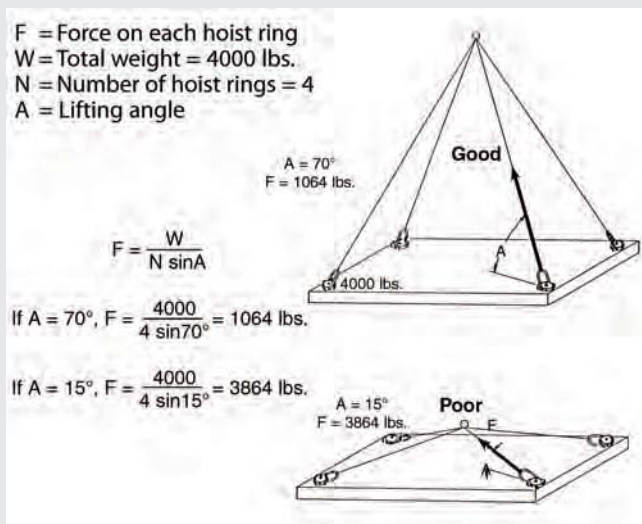
SELECTION CHART:

CAPACITY	SWIVEL			SIDE-PULL	PIVOTING	LIFTING EYES
	STEEL	STAINLESS	NICKEL			
< 500 LBS	X	X				X
500-999 LBS.	X		X	X		X
1,000-2,499 LBS.	X	X	X	X	X	X
2,500-4,999 LBS.	X	X	X	X	X	X
5,000-7,499 LBS.	X	X		X	X	X
7,500-9,999 LBS.	X	X		X	X	X
10,000-24,999 LBS.	X	X		X	X	X
>25,000 LBS.	X	X				

HOIST RING SAFETY PRECAUTIONS

INFO+: The following safety precautions apply to all lifting devices on pages 67, 69-81 and page 52. Also see these individual pages for additional precautions and installation guidelines.

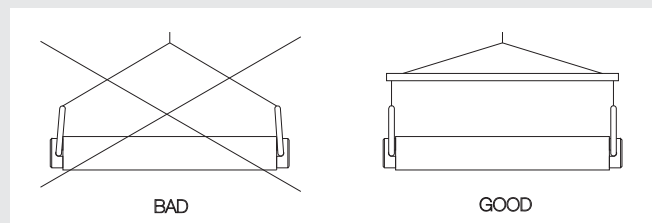
1. **IMPORTANT!** The load on each hoist ring is not simply total weight divided by the number of hoist rings. The resultant force can be significantly greater at shallow lift angles and with unevenly distributed loads. See the example below:



2. Despite the 5:1 safety factor on hoist rings, never exceed the rated load capacity. This safety margin is needed in case of misuse, which could drastically lower load capacity.

3. Tensile strength of parent material should be above 80,000 psi to achieve full load rating. For weaker material, consider through-hole mounting with a nut and washer on the other side.

4. Do not allow hoist rings to bind. Use a spreader bar, if necessary, to avoid binding.



5. Do not use spacers between the hoist ring and the mounting surface.

6. Mounting surface must be flat and smooth for full contact under hoist ring. Tapped mounting holes must be perpendicular to the mounting surface.

7. Tighten mounting screws to the torque recommended. Periodically check torque because screws could loosen in extended service. For hoist rings not furnished with screws, mount using only high-quality socket-head cap screws.

8. Never lift with a hook or other device that could deform the lifting ring. **INFO+:** Do not use cable assemblies on pages 60-61 for lifting.

9. Do not apply shock loads. Always lift gradually. Repeat magnaflux testing if shock loading ever occurs.

10. After installation, check that ring rotates and pivots freely in all directions.

TYPES



SWIVEL HOIST RINGS

The original, patented safety-engineered Hoist Ring, and the only one that has a production sample destructively pull tested to guarantee each production run meets or exceeds the 5:1 safety factor. Pivots 180 degrees and swivels 360 degrees simultaneously to allow lifting from any direction. Black oxide finish is standard, with cadmium plating available as a special. Also available in 300-series stainless steel, with a load rating equal to 50% of the steel version. Heavy duty versions are available in capacities up to 250,000 lbs. Some varieties available electroless nickel plated, for a less-hazardous corrosion-resistant finish. Made in USA. **INFO+:** Pages 69-77.



PIVOTING HOIST RINGS

An economical lifting device ideal for permanent installation. Also has a low profile and high load capacity. Forged base and solid-loop forged ring. Pivots a full 180 degrees, but does not rotate. Safety factor = 5:1. Made in USA. **INFO+:** Page 80.



SIDE-PULL HOIST RINGS

Required for side mounting. Flip and turn loads without unhooking (use with a spreader bar). Forged alloy-steel ring pivots 180 degrees and swivels 360 degrees simultaneously to allow lifting from any direction. Large, weldless forged ring can accommodate larger lifting hooks. Meets OSHA standards and military specifications MIL-STD-209J and MIL-STD-1365(11). Safety factor = 5:1. Made in USA. **INFO+:** Pages 78-79.



LIFTING EYES

Forged steel eyebolts with an integral shoulder for greater strength. These simple, economical products are suitable for vertical lifting in-line with the threaded bolt, such as when lifting from a single point or from two points with a spreader bar. For lifting at an angle, Swivel Hoist Rings should be used instead. Manufactured and tested according to ASTM A489 and ANSI B18.15 specifications. Safety factor = 5:1. Made in USA. **INFO+:** Page 81.

MATERIALS

STEEL

Alloy steel, heat treated, black oxide finish (cadmium plating available as a special). Every production lot of swivel Hoist Rings is subjected to testing, including the industry's most rigorous pull testing. We destructively pull test every production lot to ensure that they meet or exceed our 5:1 safety factor.

STAINLESS STEEL

The stainless steel version of our original, patented safety-engineered hoist ring comes with a load rating equal to 50% of the steel version. Useful for corrosive, cryogenic, or elevated-temperature environments.

NICKEL-PLATED STEEL

Alloy-steel Swivel Hoist Rings are available with electroless nickel plating. This optional finish offers excellent corrosion and wear resistance while still providing the full load capacity of our heat-treated alloy-steel hoist rings.

All hoist rings are made in the USA, and available DFARS and RoHS compliant.

HOIST RINGS

AVAILABLE EXCLUSIVELY ONLINE AT WWW.CARRLANE.COM

The following hoist ring selections may be found online in the product catalog at carrlane.com



FORGED ROAD-PLATE SWIVEL HOIST RINGS*

These hoist rings have a shorter, larger-diameter bolt, ideal for lifting heavy plates. Patent no. 4,570,987, no. 4,641,986, no. 5,405,210 and others pending.



FORGED BAR-TITE™ SWIVEL HOIST RINGS*

These hoist rings have a steel bar knob for tightening with a level bar instead of a wrench. Patent no. 4,570,987, no. 4,641,986, no. 5,405,210 and others pending.



FORGED SPIN-N-LOK™ SWIVEL HOIST RINGS*

These hoist rings have a spoked lug nut for tightening without a wrench. Patent no. 4,570,987, 4,641,986, 5,405,210 and other patents pending.



FORGED WELD-MOUNT SWIVEL HOIST RINGS*

These hoist rings mounted by welding. Patent no. 4,570,987, no. 4,641,986, no. 5,405,210 and others pending.



HEAVY-DUTY SUPER-COIL™ SWIVEL HOIST RINGS*

These hoist rings are furnished with a coil bolt, and are ideal for temporary attachment to steel structures and construction material. Patent no. 4,570,987, 4,641,986, 5,405,210, 5,732,991, and others pending.



FORGED SWIVEL LIFT PLATES

These swivel hoist rings have a center through-hole instead of a bolt, for mounting with a custom anchoring system. Patent no. 4,570,987, no. 4,641,986, no. 5,405,210 and others pending.



SHACKLE HOIST RINGS*

These swivel hoist rings are designed for permanent mounting on tooling and equipment. Forged alloy-steel shackle pivots 180 degrees and swivels 360 degrees simultaneously to allow lifting from any direction. Patent no. 5,823,588.



FAST-LOK™ PLATE LIFTING SYSTEM

Plate-lifting system with a weld-on base and totally removable shackle assembly, allowing the plate surface to remain totally free of obstructions. Patent pending. FEATURES: Fast-Lok™ Clevis, Fast-Lok™ Base, Forged Anchor Shackle, Fast-Lok™ Detent Pin.



SCISSOR-LOK™ PLATE LIFTING SYSTEM

Plate-lifting system with a weld-on base and totally removable shackle assembly, allowing the plate surface to remain total free of obstructions. Patent pending, FEATURES: Scissor-Lok™ Tool, Fast-Lok™ Base, Forged Anchor Shackle, and Fast-Lok™ Detent Pin.



HEAVY-DUTY LIFTING EYES

These lifting eyes have a short, large-diameter thread, making them ideal for lifting heavy plates. Designed for straight vertical lifting only. High-tensile alloy steel. Patent pending.



UNIVERSAL LIFTING RINGS

Removable hoist rings with a forged alloy-steel shackle. Each Universal Lifting Ring fits three different thread sizes. Designed for straight vertical lifting only. Patent no. 4,557,513.

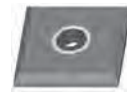
HOIST RING ACCESSORIES — AVAILABLE EXCLUSIVELY ONLINE:



WELD-IN THREADED INSERTS



RENEWAL ROAD PLATES ROUND



RENEWAL ROAD PLATES SQUARE

*Forged alloy-steel shackle pivots 180 degrees and swivels 360 degrees simultaneously to allow lifting from any direction.

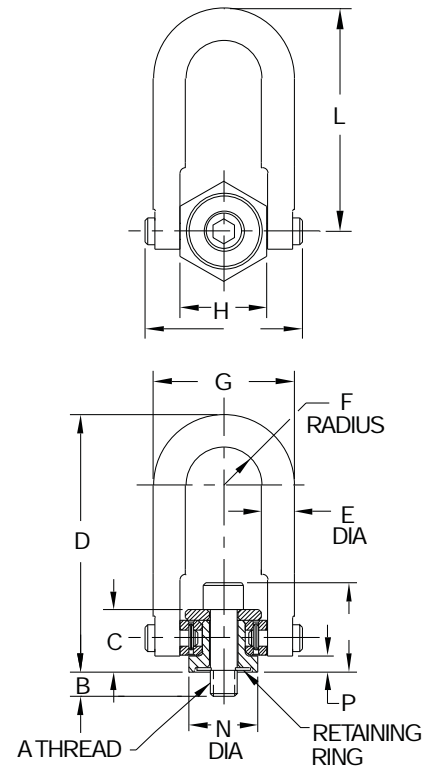
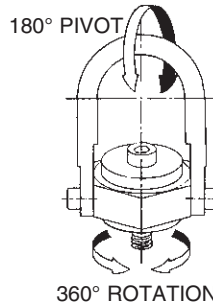
SWIVEL HOIST RINGS

ALLOY STEEL, HEAT TREATED, BLACK OXIDE FINISH, 100% MAGNAFLUX INSPECTED



The original safety-engineered hoist ring. Pivots 180 degrees and swivels 360 degrees simultaneously to allow lifting from any direction. Safety factor = 5:1. Black oxide finish is standard, with cadmium plating available as a special (add -C to part number). Swivel Hoist Rings are also available in 300-series stainless steel, with a load rating equal to 50% of the steel version (INFO+ see pages 72-73). Patent no. 3,297,293 and 4,705,422.

Fasten hoist rings using the installation torque specified in the dimension table. Always install so that the hoist ring can pivot and swivel freely. Some hoist rings are available with a choice of bolt lengths. Use the shortest bolt length only for steel plates, the other lengths for weaker materials and for through-hole mounting with a washer and nut. **INFO+**: See general Hoist Ring Safety Precautions on page 66.



STANDARD RING (INCH)

PART NO.	LOAD RATING (LBS)	A	B	C	D	E DIA	F	G	H	J	K	L	N DIA	P	INSTALLATION TORQUE (FT-LBS)	REPLACEMENT BOLT (WITH RETAINING RING)
CL-550-SHR-2	550	1/4-20	.54	.71	2.67	3/8	.43	1.61	1.00	1.84	.96	2.31	.75	.17	5	—
CL-800-SHR-1	800	5/16-18	.29	.72	2.63	3/8	.44	1.62	1.00	1.82	1.03	2.35	.75	.17	7	CL-800-SHRB-1
CL-800-SHR-2			.54													CL-800-SHRB-2
CL-1000-SHR-1	1000	3/8-16	.54	.72	2.63	3/8	.44	1.62	1.00	1.82	1.09	2.35	.75	.17	12	CL-1000-SHRB-1
CL-23301-SHR	2500	1/2-13	1.07	.93	3.77	1/2	.70	2.40	1.49	2.58	1.43	3.31	1.25	.20	28	CL-23318-SHRB-1
CL-2500-SHR-1	2500	1/2-13	.77	1.23	4.77	3/4	.88	3.25	2.00	3.52	1.73	4.24	1.50	.16	28	CL-2500-SHRB-1
CL-2500-SHR-2			1.02													CL-2500-SHRB-2
CL-2500-SHR-3			1.27													CL-2500-SHRB-3
CL-4000-SHR-1	4000	5/8-11	.77	1.23	4.77	3/4	.88	3.25	2.00	3.52	1.86	4.24	1.50	.16	60	CL-4000-SHRB-1
CL-4000-SHR-2			1.02													CL-4000-SHRB-2
CL-4000-SHR-3			1.27													CL-4000-SHRB-3
CL-5000-SHR-1	5000	3/4-10	1.02	1.23	4.77	3/4	.88	3.25	2.00	3.52	1.98	4.24	1.50	.16	100	CL-5000-SHRB-1
CL-5000-SHR-2			1.52													CL-5000-SHRB-2
CL-7000-SHR-1	7000	3/4-10	1.03	1.72	6.55	1-1/16	1.40	4.94	3.00	5.06	2.47	5.80	2.37	.24	100	CL-7000-SHRB-1
CL-7000-SHR-2			1.53													CL-7000-SHRB-2
CL-8000-SHR-1	8000	7/8-9	1.03	1.72	6.55	1-1/16	1.40	4.94	3.00	5.06	2.60	5.80	2.37	.24	160	CL-8000-SHRB-1
CL-8000-SHR-2			1.53													CL-8000-SHRB-2
CL-10000-SHR-1	10000	1"-8	1.28	1.72	6.55	1-1/16	1.40	4.94	3.00	5.06	2.72	5.80	2.37	.24	230	CL-10000-SHRB-1
CL-10000-SHR-2			1.53													CL-10000-SHRB-2
CL-10000-SHR-3			2.28													CL-10000-SHRB-3
CL-15000-SHR-1	15000	1-1/4"-7	1.89	2.11	8.73	1-1/4	1.75	6.00	3.76	6.50	3.36	7.75	3.20	.35	470	CL-15000-SHRB-1
CL-24000-SHR-1	24000	1-1/2"-6	2.70	2.81	12.47	1-3/4	2.25	8.00	4.87	8.55	4.36	11.12	4.20	.47	800	CL-24000-SHRB-1
CL-30000-SHR-1	30000	2"-4-1/2	2.96	2.81	12.47	1-3/4	2.25	8.00	4.87	8.55	5.36	11.12	4.20	.47	1100	—
CL-23503-SHR	50000	2-1/2"-4	4.00	4.09	16.87	2-1/4	3.00	10.50	6.52	11.67	6.59	14.50	5.75	1.12	2100	—
CL-23501-SHR		2-1/2"-8														—
CL-23600-SHR	75000	3"-4	5.20	5.20	19.50	2-3/4	3.75	13.00	8.10	14.15	8.27	17.00	7.25	1.00	4300	—
CL-23701-SHR	100000	3-1/2"-4	7.00	7.00	22.09	3-1/4	4.00	14.50	8.60	15.90	9.56	19.25	7.75	1.09	6600	—

CONTINUED ON NEXT PAGE

SWIVEL HOIST RINGS

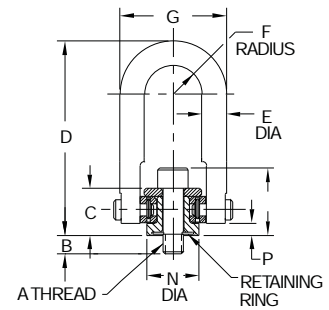
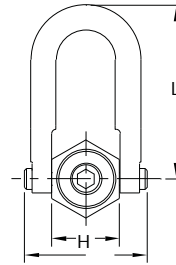
STANDARD RING (METRIC)

PART NO.	LOAD RATING (LBS)	A	B	C	D	E DIA	F	G	H	J	K	L	N DIA	P	INSTALLATION TORQUE (FT-LBS)	REPLACEMENT BOLT WITH (RETAINING RING)
CLM-800-SHR-2	880	M8	.66	.72	2.63	3/8	.44	1.62	1.00	1.82	1.02	2.35	.75	.17	7	CLM-800-SHRB-2
CLM-1000-SHR-1	1000	M10	.66	.72	2.63	3/8	.44	1.62	1.00	1.82	1.10	2.35	.75	.17	12	CLM-1000-SHRB-1
CLM-2500-SHR-1	2300	M12	.74	1.23	4.77	3/4	.88	3.25	2.00	3.52	1.70	4.24	1.50	.16	27	CLM-2500-SHRB-1
CLM-4000-SHR-2	4000	M16	1.13	1.23	4.77	3/4	.88	3.25	2.00	3.52	1.86	4.24	1.50	.16	59	CLM-4000-SHRB-2
CLM-24020-SHR	4800	M20	1.18	1.23	4.77	3/4	.88	3.25	2.00	3.52	2.01	4.25	1.50	.16	100	CLM-24220-SHRB
CLM-7000-SHR-2	6600	M20	1.26	1.72	6.55	1-1/16	1.40	4.94	3.00	5.06	2.51	5.80	2.31	.24	100	CLM-7000-SHRB-2
CLM-9000-SHR-2	9200	M24	1.46	1.72	6.55	1-1/16	1.40	4.94	3.00	5.06	2.66	5.80	2.31	.24	159	CLM-9000-SHRB-2
CLM-10000-SHR-1	10000	M30	2.12	1.71	6.52	1	1.40	4.80	3.00	5.14	2.72	5.80	2.31	.24	230	CLM-24230-SHRB
CLM-15000-SHR-1	15000	M30	1.81	2.11	8.73	1-1/4	1.75	6.00	3.76	6.50	3.36	7.75	3.20	.35	470	CLM-24421-SHRB
CLM-24042-SHR			CLM-24433-SHRB													
CLM-24000-SHR-1	24000	M36	2.72	2.81	12.47	1-3/4	2.25	8.00	4.87	8.55	4.36	11.12	4.20	.47	800	CLM-24223-SHRB
CLM-27000-SHR-1	27000	M42	3.11	2.81	12.47	1-3/4	2.25	8.00	4.87	8.55	4.86	11.12	4.20	.47	800	CLM-24232-SHRB
CLM-30000-SHR-1	30000	M48	3.11	2.81	12.47	1-3/4	2.25	8.00	4.87	8.55	5.36	11.12	4.20	.47	800	CLM-24225-SHRB
CLM-24060-SHR	48000	M64	4.02	4.09	16.87	2-1/4	3.00	10.50	6.52	11.67	6.61	14.50	5.75	1.12	2100	CLM-24527-SHRB
CLM-24062-SHR	69000	M72	5.20	5.27	19.50	2-3/4	3.75	13.00	8.10	14.50	8.27	17.00	7.25	1.00	4200	CLM-24627-SHRB
CLM-24064-SHR	110000	M90	7.01	6.06	22.09	3-1/4	4.00	14.50	8.60	15.90	9.56	19.25	7.75	1.09	7100	CLM-24727-SHRB



Optional Long-Ring Version

Long-ring version provides extra reach and allows using larger lifting hooks.



LONG RING (INCH)

PART NO.	LOAD RATING (LBS)	A	B	C	D	E DIA	F	G	H	J	K	L	N DIA	P	INSTALLATION TORQUE (FT-LBS)	REPLACEMENT BOLT WITH (RETAINING RING)
CL-23322-SHR	2500	1/2-13	.78	1.22	6.72	3/4	.88	3.25	1.99	3.52	1.72	6.19	1.50	.16	28	CL-23024-SHRB
CL-23323-SHR			1.03													CL-23025-SHRB
CL-23324-SHR			1.28													CL-23026-SHRB
CL-23320-SHR	4000	5/8-11	1.03	1.22	6.72	3/4	.88	3.25	1.99	3.52	1.85	6.19	1.50	.16	60	CL-23022-SHRB
CL-23321-SHR			1.28													CL-23023-SHRB
CL-23325-SHR	5000	3/4-10	1.03	1.22	6.72	3/4	.88	3.25	1.99	3.52	1.97	6.19	1.50	.16	100	CL-23027-SHRB
CL-23327-SHR			1.53													CL-23029-SHRB
CL-23329-SHR	7000	3/4-10	1.04	1.71	8.11	1	1.40	4.80	3.00	5.14	2.46	7.38	2.37	.24	100	CL-23122-SHRB
CL-23330-SHR			1.54													CL-23123-SHRB
CL-23328-SHR	8000	7/8-9	1.04	1.71	8.11	1	1.40	4.80	3.00	5.14	2.59	7.38	2.37	.24	160	CL-23121-SHRB
CL-23331-SHR	10000	1"-8	1.29	1.71	8.11	1	1.40	4.80	3.00	5.14	2.71	7.38	2.37	.24	230	CL-23125-SHRB
CL-23332-SHR			1.54													CL-23126-SHRB
CL-23333-SHR			2.29													CL-23127-SHRB

LONG RING (METRIC)

CLM-24014-SHR	2300	M12	.75	1.22	6.72	3/4	.88	3.25	1.99	3.52	1.69	6.19	1.50	.16	27	CLM-24212-SHRB
CLM-24018-SHR	4000	M16	.94	1.22	6.72	3/4	.88	3.25	1.99	3.52	1.85	6.19	1.50	.16	59	CLM-24216-SHRB
CLM-24021-SHR	4800	M20	1.18	1.22	6.72	3/4	.88	3.25	1.99	3.52	2.01	6.19	1.50	.16	100	CLM-24220-SHRB
CLM-24023-SHR	6600	M20	1.14	1.71	8.11	1	1.40	4.80	3.00	5.14	2.50	7.38	2.37	.24	100	CLM-24222-SHRB
CLM-24026-SHR	9200	M24	1.34	1.71	8.11	1	1.40	4.80	3.00	5.14	2.65	7.38	2.37	.24	230	CLM-24224-SHRB
CLM-24032-SHR	10000	M30	2.13	1.71	8.11	1	1.40	4.80	3.00	5.14	2.89	7.38	2.37	.24	230	CLM-24230-SHRB

NICKEL-PLATED SWIVEL HOIST RINGS

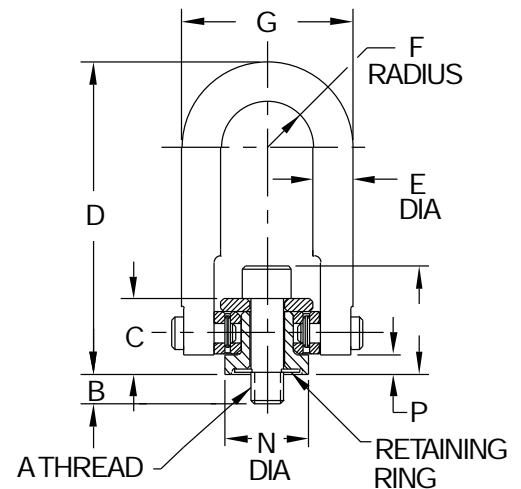
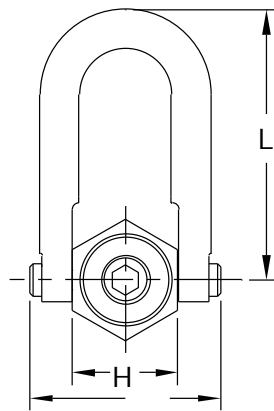
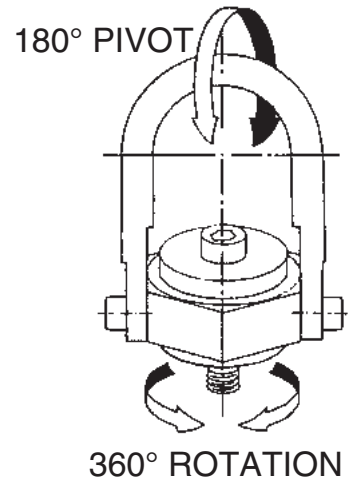
ALLOY STEEL, HEAT TREATED, ELECTROLESS NICKEL PLATED, 100% MAGNAFLUX INSPECTED



Nickel Plated

Our original alloy-steel Swivel Hoist Rings are now available with electroless nickel plating. These hoist rings offer excellent corrosion and wear resistance while still providing the full load capacity of our heat-treated alloy-steel hoist rings. Electroless nickel is a hard, uniform coating that is very resistant to a wide range of chemicals, which makes these hoist rings suitable for many corrosive and marine environments. Swivel Hoist Rings pivot 180 degrees and swivel 360 degrees simultaneously to allow lifting from any direction. Safety factor = 5:1. Patent no. 3,297,293 and 4,705,422.

Fasten hoist rings using the installation torque specified in the dimension table. Always install so that the hoist ring can pivot and swivel freely. Some hoist rings are available with a choice of bolt lengths. Use the shortest bolt length only for steel plates, the other lengths for weaker materials and for through-hole mounting with a washer and nut. **INFO+:** See general Hoist Ring Safety Precautions on page 66.



STANDARD RING, ELECTROLESS NICKEL PLATED (INCH)

PART NO.	LOAD RATING (LBS)	A	B	C	D	E DIA	F	G	H	J	K	L	N DIA	P	INSTALLATION TORQUE (FT-LBS)	REPLACEMENT BOLT (WITH RETAINING RING)
CL-800-SHR-2-N	800	5/16-18	.54	.72	2.63	3/8	.44	1.62	1.00	1.82	1.03	2.35	.75	.17	7	CL-800-SHRB-2-N
CL-1000-SHR-1-N	1000	3/8-16	.54	.72	2.63	3/8	.44	1.62	1.00	1.82	1.09	2.35	.75	.17	12	CL-1000-SHRB-1-N
CL-2500-SHR-1-N	2500	1/2-13	.77	1.23	4.77	3/4	.88	3.25	2.00	3.52	1.73	4.24	1.50	.16	28	CL-2500-SHRB-1-N
CL-2500-SHR-2-N			1.02													CL-2500-SHRB-2-N
CL-2500-SHR-3-N			1.27													CL-2500-SHRB-3-N
CL-4000-SHR-1-N	4000	5/8-11	.77	1.23	4.77	3/4	.88	3.25	2.00	3.52	1.86	4.24	1.50	.16	60	CL-4000-SHRB-1-N
CL-4000-SHR-2-N			1.02													CL-4000-SHRB-2-N
CL-4000-SHR-3-N			1.27													CL-4000-SHRB-3-N
CL-5000-SHR-1-N	5000	3/4-10	1.02	1.23	4.77	3/4	.88	3.25	2.00	3.52	1.98	4.24	1.50	.16	100	CL-5000-SHRB-1-N
CL-5000-SHR-2-N			1.52													CL-5000-SHRB-2-N

STAINLESS SWIVEL HOIST RINGS

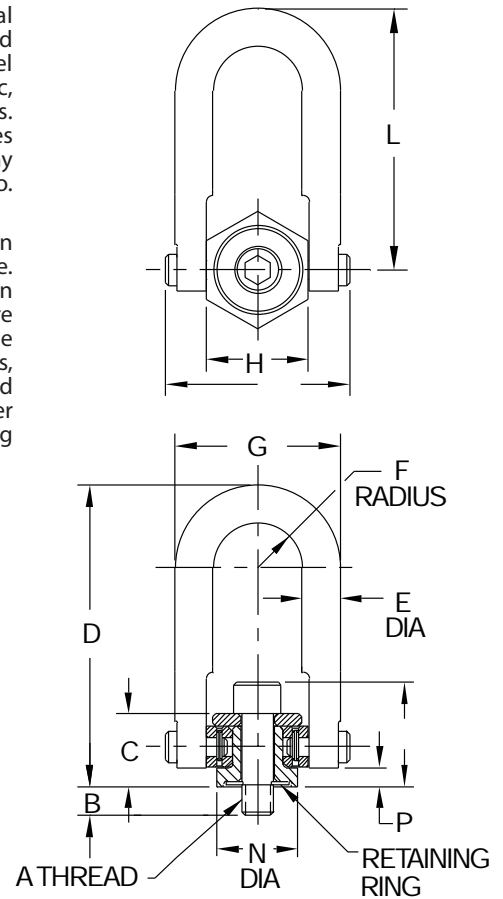
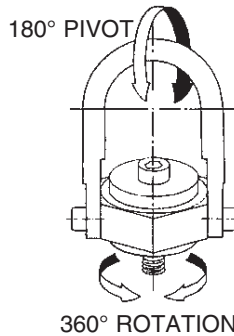
300-SERIES STAINLESS STEEL, PASSIVATED, 100% LIQUID-PENETRANT INSPECTED



Stainless Steel

Stainless steel version of our original safety-engineered hoist ring, with a load rating equal to 50% of the alloy steel version. Useful for corrosive, cryogenic, or elevated-temperature environments. Pivots 180 degrees and swivels 360 degrees simultaneously to allow lifting from any direction. Safety factor = 5:1. Patent no. 3,297,293 and 4,705,422.

Fasten hoist rings using the installation torque specified in the dimension table. Always install so that the hoist ring can pivot and swivel freely. Some hoist rings are available with a choice of bolt lengths. Use the shortest bolt length only for steel plates, the other lengths for weaker materials and for through-hole mounting with a washer and nut. **INFO+:** See general Hoist Ring Safety Precautions on page 66.



STANDARD RING — STAINLESS STEEL (INCH)

PART NO.	LOAD RATING (LBS)	A	B	C	D	E DIA	F	G	H	J	K	L	N DIA	P	INSTALLTION TORQUE (FT-LBS)
CL-275-SHR-1-S	275	1/4-20	.54	.71	2.67	3/8	.43	1.61	1.00	1.84	.96	2.31	.75	.17	2.5
CL-400-SHR-1-S	400	5/16-18	.29	.71	2.67	3/8	.43	1.61	1.00	1.84	.96	2.31	.75	.17	3.5
CL-400-SHR-2-S			.54												
CL-500-SHR-1-S	500	3/8-16	.54	.71	2.67	3/8	.43	1.61	1.00	1.84	1.09	2.31	.75	.17	6
CL-29301-SHR-S	1250	1/2-13	1.07	.93	3.77	1/2	.70	2.40	1.49	2.58	1.43	3.31	1.25	.20	4
CL-1250-SHR-1-S	1250	1/2-13	.78	1.22	4.78	3/4	.88	3.25	1.99	3.52	1.72	4.25	1.50	.16	14
CL-1250-SHR-2-S			1.03												
CL-1250-SHR-3-S			1.28												
CL-2000-SHR-1-S			.78												
CL-2000-SHR-2-S	2000	5/8-11	1.03	1.22	4.78	3/4	.88	3.25	1.99	3.52	1.85	4.25	1.50	.16	30
CL-2000-SHR-3-S			1.28												
CL-2500-SHR-1-S	2500	3/4-10	1.03	1.22	4.78	3/4	.88	3.25	1.99	3.52	1.97	4.25	1.50	.16	50
CL-2500-SHR-2-S			1.53												
CL-29102-SHR-S	3500	3/4-10	1.04	1.71	6.52	1	1.40	4.80	3.00	5.14	2.46	5.78	2.37	.24	50
CL-29103-SHR-S			1.54												
CL-29101-SHR-S	4000	7/8-9	1.04	1.71	6.52	1	1.40	4.80	3.00	5.14	2.59	5.78	2.37	.24	80
CL-29105-SHR-S	5000	1"-8	1.29	1.71	6.52	1	1.40	4.80	3.00	5.14	2.71	5.78	2.37	.24	115
CL-29106-SHR-S			1.54												
CL-29107-SHR-S			2.29												
CL-29401-SHR-S	7500	1-1/4"-7	1.89	2.11	8.73	1-1/4	1.75	6.00	3.76	6.50	3.36	7.75	3.20	.35	235
CL-29202-SHR-S	12000	1-1/2"-6	2.70	2.81	12.47	1-3/4	2.25	8.00	4.87	8.55	4.31	11.12	4.20	.47	400
CL-29200-SHR-S	15000	2"-4-1/2	2.96	2.81	12.47	1-3/4	2.25	8.00	4.87	8.55	5.31	11.12	4.20	.47	550
CL-29503-SHR-S	25000	2-1/2"-4	4.00	4.09	16.87	2-1/4	3.00	10.50	6.52	11.67	6.59	14.50	5.75	1.12	1050
CL-29501-SHR-S		2-1/2"-8													
CL-29600-SHR-S	37500	3"-4	5.20	5.27	19.50	2-3/4	3.75	13.00	8.10	14.15	8.27	17.00	7.25	1.00	2150
CL-29701-SHR-S	50000	3-1/2"-4	7.00	6.06	22.09	3-1/4	4.00	14.50	8.60	15.90	9.56	19.25	7.75	1.09	3300

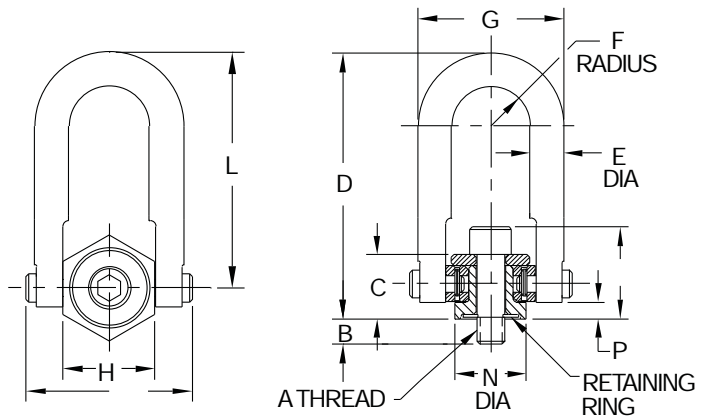
STAINLESS SWIVEL HOIST RINGS

STANDARD RING — STAINLESS STEEL (METRIC)

PART NO.	LOAD RATING (LBS)	A	B	C	D	E DIA.	F	G	H	J	K	L	N DIA.	P	INSTALLATION TORQUE (FT-LBS)
CLM-440-SHR-2-S	440	M8	.67	.71	2.67	3/8	.43	1.61	1.00	1.84	1.03	2.31	.75	.17	3.5
CLM-500-SHR-1-S	500	M10	.67	.71	2.67	3/8	.43	1.61	1.00	1.84	1.11	2.31	.75	.17	6
CLM-1150-SHR-1-S	1150	M12	.75	1.22	4.78	3/4	.88	3.25	2.00	3.52	1.69	4.25	1.50	.16	14
CLM-2000-SHR-2-S	2000	M16	.94	1.22	4.78	3/4	.88	3.25	2.00	3.52	1.85	4.25	1.50	.16	30
CLM-2400-SHR-2-S	2400	M20	1.18	1.22	4.78	3/4	.88	3.25	2.00	3.52	2.01	4.25	1.50	.16	50
CLM-29822-SHR-S	3300	M20	1.14	1.71	6.53	1	1.40	4.77	3.00	5.14	2.50	5.78	2.31	.24	50
CLM-29824-SHR-S	4600	M24	1.34	1.71	6.53	1	1.40	4.77	3.00	5.14	2.65	5.78	2.31	.24	115
CLM-29830-SHR-S	5000	M30	2.13	1.71	6.53	1	1.40	4.77	3.00	5.14	2.89	5.78	2.31	.24	115
CLM-29840-SHR-S	7500	M30	1.81	2.11	8.73	1.25	1.75	6.00	3.76	6.50	3.29	7.75	3.20	.35	235
CLM-29842-SHR-S			2.60												
CLM-29850-SHR-S	12000	M36	2.72	2.81	12.47	1.75	2.25	8.00	4.87	8.55	4.23	11.12	4.20	.47	400
CLM-29852-SHR-S	13500	M42	3.11	2.81	12.47	1.75	2.25	8.00	4.87	8.55	4.46	11.12	4.20	.47	400
CLM-29854-SHR-S	15000	M48	3.11	2.81	12.47	1.75	2.25	8.00	4.87	8.55	4.70	11.12	4.20	.47	400
CLM-29860-SHR-S	24000	M64	4.02	4.09	16.87	2.25	3.00	10.50	6.52	11.67	6.61	14.50	5.75	1.12	1050



Long-ring version provides extra reach and allows using larger lifting hooks.



LONG RING — STAINLESS STEEL (INCH)

PART NO.	LOAD RATING (LBS)	A	B	C	D	E DIA	F	G	H	J	K	L	N DIA	P	INSTALLATION TORQUE (FT-LBS)
CL-29322-SHR-S	1250	1/2-13	.78	1.22	6.72	3/4	.88	3.25	1.99	3.52	1.72	6.19	1.50	.16	14
CL-29323-SHR-S			1.03												
CL-29324-SHR-S			1.28												
CL-29320-SHR-S	2000	5/8-11	1.03	1.22	6.72	3/4	.88	3.25	1.99	3.52	1.85	6.19	1.50	.16	30
CL-29321-SHR-S			1.28												
CL-29325-SHR-S	2500	3/4-10	1.03	1.22	6.72	3/4	.88	3.25	1.99	3.52	1.97	6.19	1.50	.16	50
CL-29327-SHR-S			1.53												
CL-29329-SHR-S	3500	3/4-10	1.04	1.71	8.11	1	1.40	4.80	3.00	5.14	2.46	7.38	2.37	.24	50
CL-29330-SHR-S			1.54												
CL-29328-SHR-S	4000	7/8-9	1.04	1.71	8.11	1	1.40	4.80	3.00	5.14	2.59	7.38	2.37	.24	80
CL-29331-SHR-S	5000	1"-8	1.29	1.71	8.11	1	1.40	4.80	3.00	5.14	2.71	7.38	2.37	.24	115
CL-29332-SHR-S			1.54												
CL-29333-SHR-S			2.29												

LONG RING — STAINLESS STEEL (METRIC)

CLM-29814-SHR-S	1150	M12	.75	1.22	6.72	3/4	.88	3.25	1.99	3.52	1.69	6.19	1.50	.16	14
CLM-29818-SHR-S	2000	M16	.94	1.22	6.72	3/4	.88	3.25	1.99	3.52	1.85	6.19	1.50	.16	30
CLM-29821-SHR-S	2400	M20	1.18	1.22	6.72	3/4	.88	3.25	1.99	3.52	2.01	6.19	1.50	.16	50
CLM-29823-SHR-S	3300	M20	1.14	1.71	8.11	1	1.40	4.80	3.00	5.14	2.50	7.38	2.37	.24	50
CLM-29826-SHR-S	4600	M24	1.34	1.71	8.11	1	1.40	4.80	3.00	5.14	2.65	7.38	2.37	.24	115
Please contact factory	5000	M30	2.13	1.71	8.11	1	1.40	4.80	3.00	5.14	2.89	7.38	2.37	.24	235

HEAVY-DUTY® SWIVEL HOIST RINGS

ALLOY STEEL, HEAT TREATED, BLACK OXIDE FINISH, 100% MAGNAFLUX INSPECTED

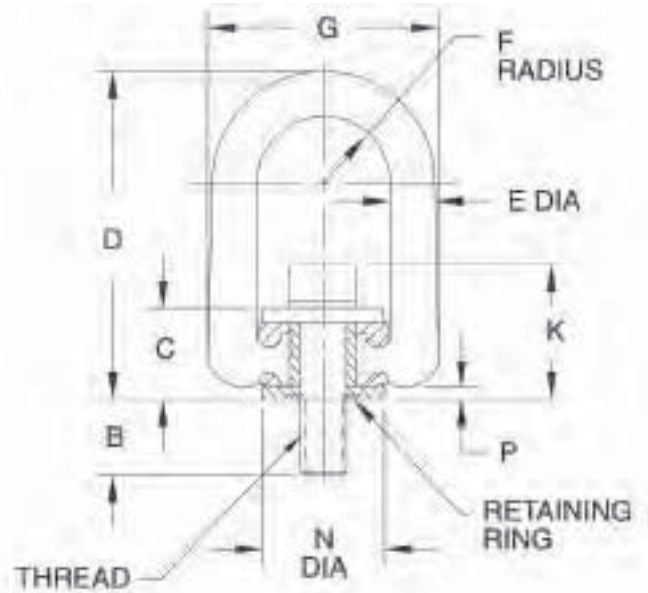
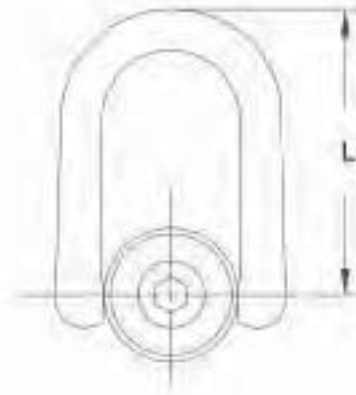
2



The next generation of Swivel Hoist Rings, with a heavy-duty forged steel ring. Pivots 180 degrees and swivels 360 degrees simultaneously to allow lifting from any direction. Safety factor = 5:1. Meets OSHA standards and Military Specification MIL-STD-1365(11) or MIL-STD-209C. Patent no. 4,570,987 and 4,641,986, and other patents pending.

Fasten hoist rings using the installation torque specified in the dimension table.

Always install so that the hoist ring can pivot and swivel freely. Some hoist rings are available with a choice of bolt lengths. Use the shortest bolt length only for steel plates, the other lengths for weaker materials and for through-hole mounting with a washer and nut. **INFO+:** See general Hoist Ring Safety Precautions on page 66.



STANDARD RING (INCH)

PART NO.	LOAD RATING (LBS)	A	B	C	D	E DIA	F	G	K	L	N DIA	P	INSTALLATION TORQUE (FT-LBS)	REPLACEMENT BOLT (WITH RETAINING RING)
CL-33106-SHR	10000	1"-8	1.20	2.05	7.37	1.00	1.40	5.10	3.05	6.62	2.81	.18	230	CL-33126-SHRB
CL-33105-SHR			1.45											CL-33125-SHRB
CL-33107-SHR			2.20											CL-33127-SHRB
CL-33402-SHR	15000	1-1/4"-7	1.88	2.87	9.22	1.25	2.00	6.75	4.23	8.12	3.88	.32	470	CL-33419-SHRB
CL-33401-SHR			2.63											CL-33421-SHRB
CL-33420-SHR	20000	1-3/8"-6	2.63	2.87	9.22	1.25	2.00	6.75	4.35	8.12	3.88	.32	670	CL-33429-SHRB
CL-33424-SHR	24000	1-1/2"-6	2.63	2.87	9.22	1.25	2.00	6.75	4.48	8.12	3.88	.32	800	CL-33422-SHRB
CL-33427-SHR	30000	2"-4-1/2	2.96	2.87	9.22	1.25	2.00	6.75	4.48	8.12	3.88	.32	1100	—
CL-33432-SHR		2"-8												—

HEAVY-DUTY® SWIVEL HOIST RINGS

STANDARD RING (METRIC)

PART NO.	LOAD RATING (LBS)	A	B	C	D	E DIA	F	G	K	L	N DIA	P	INSTALLATION TORQUE (FT-LBS)	REPLACEMENT BOLT (WITH RETAINING RING)
CLM-34102-SHR	9200	M24	1.10	2.05	7.37	1.00	1.40	5.10	3.00	6.62	2.81	.18	230	CLM-34121-SHRB
CLM-34103-SHR			M30											CLM-34123-SHRB
CLM-34105-SHR	10000	M30	1.50	2.05	7.37	1.00	1.40	5.10	3.23	6.62	2.81	.18	230	CLM-34126-SHRB
CLM-34107-SHR			M36											CLM-34127-SHRB
CLM-34401-SHR	15000	M30	2.64	2.87	9.22	1.25	2.00	6.75	4.23	8.12	3.88	.32	470	CLM-34421-SHRB
CLM-34402-SHR	24000	M36	2.64	2.87	9.22	1.25	2.00	6.75	4.48	8.12	3.88	.32	800	CLM-34422-SHRB
CLM-34403-SHR	27000	M42	3.15	2.87	9.22	1.25	2.00	6.75	4.48	8.12	3.88	.32	800	CLM-24232-SHRB
CLM-34404-SHR	30000	M48	3.15	2.87	9.22	1.25	2.00	6.75	4.48	8.12	3.88	.32	800	CLM-24225-SHRB



Optional Long-Ring Version

Long-ring version provides extra reach and allows using larger lifting hooks.

LONG RING (INCH)

PART NO.	LOAD RATING (LBS)	A	B	C	D	E DIA	F	G	K	L	N DIA	P	INSTALLATION TORQUE (FT-LBS)	REPLACEMENT BOLT (WITH RETAINING RING)
CL-33165-SHR	10000	1"-8	1.20	2.05	9.00	1.00	1.40	5.10	3.05	8.25	2.81	.18	230	CL-33126-SHRB
CL-33166-SHR			1.45											CL-33125-SHRB
CL-33167-SHR			2.20											CL-33127-SHRB

LONG RING (METRIC)

CLM-34162-SHR	9200	M24	1.10	2.05	9.00	1.00	1.40	5.10	3.00	8.25	2.81	.18	230	CLM-34121-SHRB
CLM-34163-SHR			1.50											CLM-34123-SHRB
CLM-34165-SHR	10000	M30	1.50	2.05	9.00	1.00	1.40	5.10	3.23	8.25	2.81	.18	230	CLM-34126-SHRB
CLM-34167-SHR			1.89											CLM-34127-SHRB

Aerospace Is In Our DNA

Carr Lane Manufacturing was founded in 1952 to produce tooling components for the aerospace industry. Let us show you what more than six decades of industry knowledge and experience can bring to your next project.

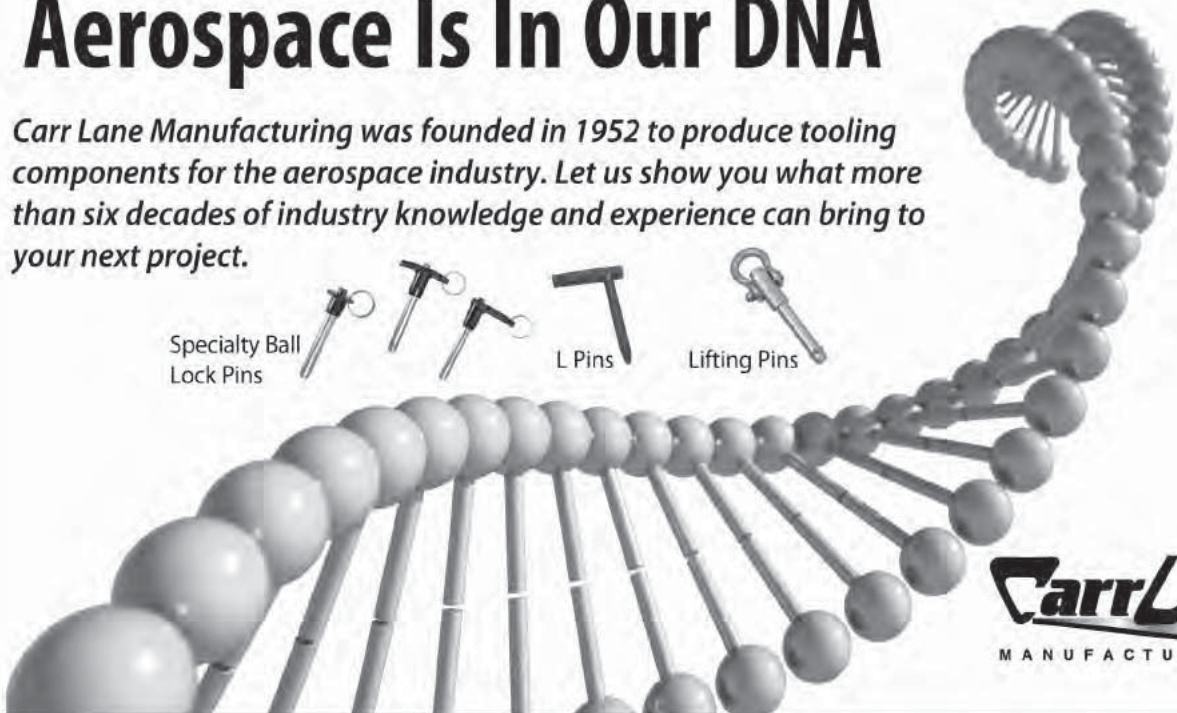
Specialty Ball Lock Pins



L Pins



Lifting Pins



Carr Lane
MANUFACTURING CO.

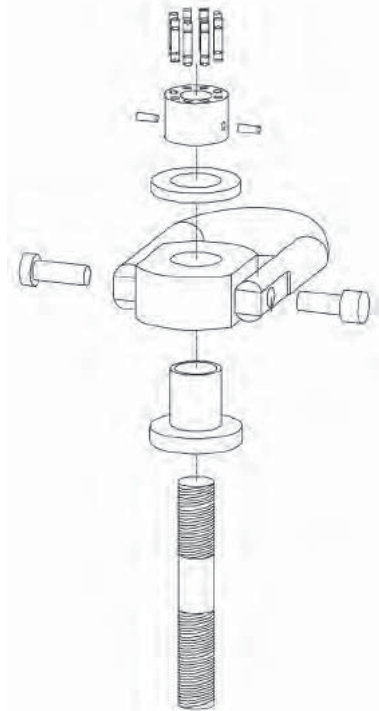
EZ-TORQUE® SWIVEL HOIST RINGS

ALLOY STEEL, HEAT TREATED, BLACK OXIDE FINISH, 100% MAGNAFLUX INSPECTED

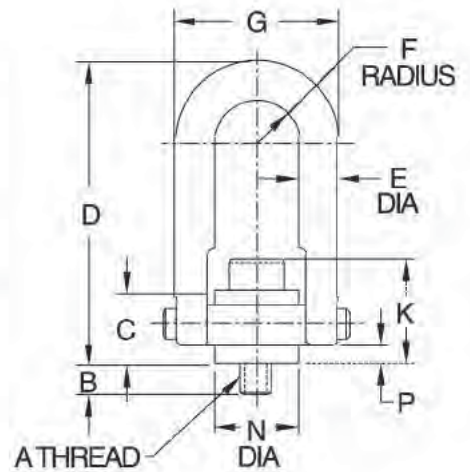
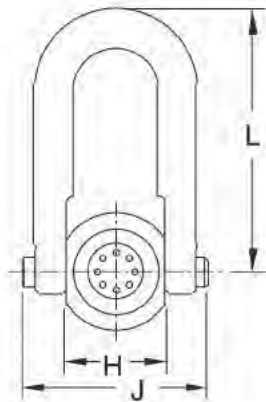
2



Extra-large Swivel Hoist Rings with our patented system that allows tightening several smaller bolt heads with a standard torque wrench instead of tightening one large bolt with a special tool. Swivel Hoist Rings pivot 180 degrees and swivel 360 degrees simultaneously to allow lifting from any direction. Safety factor = 5:1. Black oxide finish is standard, with cadmium plating available as a special. Available in load capacities up to 250000 lbs. Patent no. 3,297,293, 4,705,422, and 6,199,925. Fasten hoist rings using the installation torque specified in the dimension table. Always install so that the hoist ring can pivot and swivel freely. **INFO+**: See general Hoist Ring Safety Precautions on page 66.



**E-Z Torque®
Swivel Hoist Rings**



E-Z-TORQUE® SWIVEL HOIST RINGS (INCH)

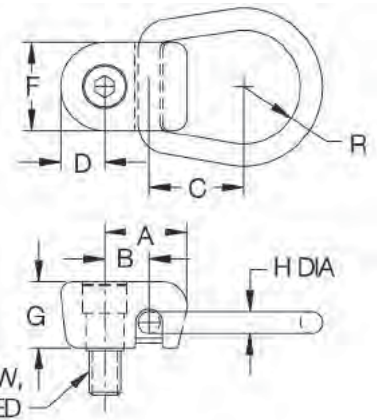
PART NO.	LOAD RATING (LBS)	A	B	C	D	E DIA	F	G	H	J	K	L	N DIA	P	INSTALLATION TORQUE (FT-LBS)
CL-23490-SHR	15000	1-1/4"-7	1.89	2.11	8.73	1-1/4	1.75	6.0	3.76	6.50	3.60	7.75	3.20	.35	10
CL-23494-SHR	24000	1-1/2"-6	2.70	2.81	12.47	1-3/4	2.25	8.0	4.87	8.55	4.60	11.12	4.20	.47	18
CL-23290-SHR	30000	2"-4-1/2	2.96	2.81	12.47	1-3/4	2.25	8.0	4.87	8.55	4.60	11.12	4.20	.47	26
CL-23592-SHR	50000	2-1/2"-4	4.00	4.09	16.87	2-1/4	3.00	10.5	6.52	11.67	6.89	14.50	5.75	1.12	49
CL-23590-SHR		2-1/2"-8													
CL-23690-SHR	75000	3"-4	5.20	5.27	19.50	2-3/4	3.75	13.0	8.10	14.15	8.72	17.00	7.25	1.00	92
CL-23790-SHR	100000	3-1/2"-4	7.00	6.06	22.09	3-1/4	4.00	14.5	8.60	15.90	9.56	19.25	7.75	1.09	98
CL-23792-SHR	150000	4-1/4"-4	8.50	7.50	27.38	4	5.00	18.0	10.75	19.69	10.45	23.81	9.87	1.33	123
CL-23794-SHR	200000	5"-4	9.00	9.00	33.00	5	6.00	22.0	13.00	24.00	13.00	28.50	12.38	1.88	193
CL-23798-SHR	250000	6"-4	9.00	9.00	33.00	5	6.00	22.0	13.00	24.00	13.00	28.50	12.38	1.88	207

SAFETY HOIST RINGS

RING: FORGED 4130 STEEL, HEAT TREATED, BLACK OXIDE FINISH, 100% MAGNAFLUX INSPECTED
 BASE: FORGED 1045 STEEL, BLACK OXIDE FINISH



Forged base rotates 360 degrees while the solid-loop forged ring pivots 180 degrees, to allow lifting from any direction. High-strength shoulder screw furnished. Safety factor = 5:1. Fasten hoist ring using the installation torque specified in the dimension table. Always install so that the hoist ring can pivot and swivel freely. **INFO+:** See general Hoist Ring Safety Precautions on page 66.



2

INCH

PART NO.	LOAD RATING (LBS)	A	B	C	D	F	G	H DIA	J	K	R	INSTALLTION TORQUE (FT-LBS)	REPLACEMENT SHOULDER SCREW
CL-10-SHR	1000	1-1/8	5/8	1-1/2	5/8	1-1/4	7/8	5/16	3/8-16	5/8	13/16	7-10	CL-10-SHRB
CL-25-SHR	2500	1-5/8	7/8	1-7/8	7/8	1-3/4	1-5/16	7/16	5/8-11	7/8	1-1/8	42-50	CL-25-SHRB

METRIC

CLM-10-SHR	1000	1-1/8	5/8	1-1/2	5/8	1-1/4	7/8	5/16	M10	.59	13/16	7-10	CLM-10-SHRB
CLM-25-SHR	2500	1-5/8	7/8	1-7/8	7/8	1-3/4	1-5/16	7/16	M16	.79	1-1/8	42-50	CLM-25-SHRB

TRUSTED TO MOVE THE MOST DANGEROUS MATERIALS IN THE WORLD



We offer more hoist rings than any other manufacturer, with more than 20 different types, ranging from economical, low profile versions to heavy-duty, extra-large types with load capacities up to 250,000 lbs.



- Swivel hoist rings
- Safety hoist rings
- Pivoting hoist rings
- Lifting eyes
- Side-pull hoist rings



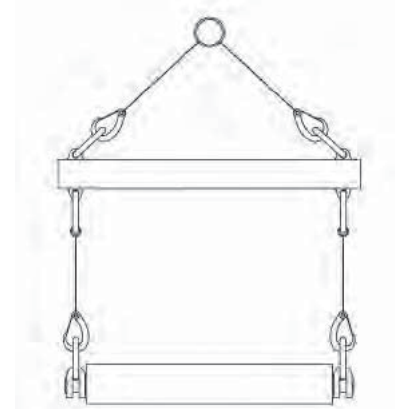
SIDE-PULL HOIST RINGS

ALLOY STEEL, BLACK OXIDE FINISH, 100% MAGNAFLUX INSPECTED

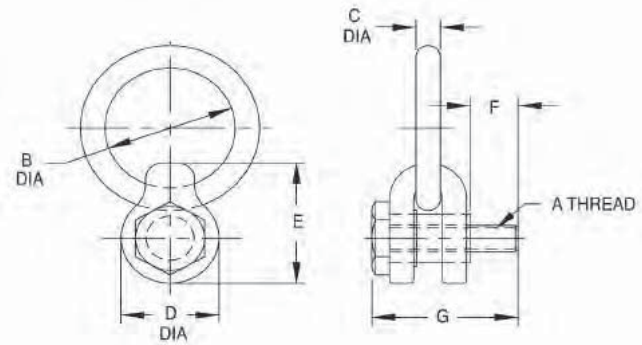
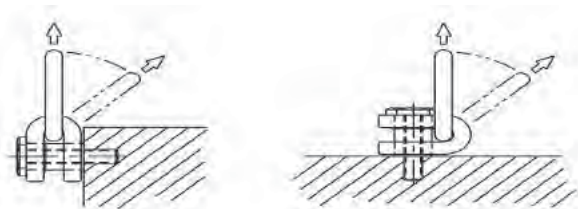
2



Side-Pull Hoist Rings are ideal for side mounting. Flip and turn loads without unhooking (use with a spreader bar). Forged alloy-steel ring pivots 180 degrees and swivels 360 degrees simultaneously to allow lifting from any direction. Large, weldless forged ring can accommodate larger lifting hooks. Meets OSHA standards and Military Specifications MIL-STD-209C and MIL-STD-1365(11). Safety factor = 5:1. Fasten hoist ring using the installation torque specified in the dimension table. Always install so that the hoist ring can pivot and swivel freely. **INFO+:** See general Hoist Ring Safety Precautions on page 66.



Side-Pull Hoist Rings are ideal whenever side mounting is required.



INCH

PART NO.	LOAD RATING (LBS)	A DIA	B DIA	C DIA	D DIA	E	F	G	INSTALLATION TORQUE (FT-LBS)
CL-650-SPHR	650	5/16-18	2	3/8	1-1/2	2	5/8	2-5/16	3.5
CL-800-SPHR	800	3/8-16					3/4	2-5/8	4.5
CL-1800-SPHR	1800	1/2-13	3	5/8	2-3/8	3-3/16	1	3-1/2	15
CL-2500-SPHR	2500	5/8-11					1-1/4	3-7/8	25

METRIC

CLM-36710-SPHR	880	M8	2	3/8	1-1/2	2	.63	2.13	6
CLM-36715-SPHR	1100	M10					.79	2.29	12
CLM-36720-SPHR	1900	M12					.94	3.32	20
CLM-36725-SPHR	3500	M16	3	5/8	2-3/8	3-3/16	1.26	4.76	47
CLM-36730-SPHR	5500	M20					1.57	5.07	92

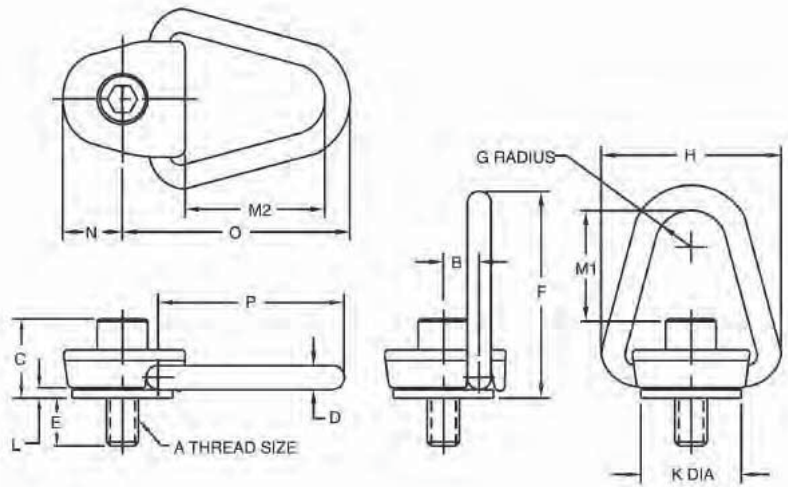
HEAVY-DUTY® SIDE-PULL HOIST RINGS

ALLOY STEEL, BLACK OXIDE FINISH, 100% MAGNAFLUX INSPECTED



Heavy-Duty version of our Side-Pull Hoist Rings offers greater load capacity in a given mounting-thread size. Side-Pull Hoist Rings are ideal for side mounting. Flip and turn loads without unhooking (use with a spreader bar). Forged alloy-steel ring pivots and swivels 360 degrees simultaneously to

allow lifting from any direction. Safety factor = 5:1. Patent no. 6,267,422. Fasten hoist ring using the installation torque specified in the dimension table. Always install so that the hoist ring can pivot and swivel freely. **INFO-:** See general Hoist Ring Safety Precautions on page 66.



INCH

PART NO.	LOAD RATING (LBS)	A	B	C	D	E	F	G	H	K DIA	L	M1	M2	N	O	P	INSTALLTION TORQUE (FT-LBS)
CL-36305-SPHR	800	5/16-18	.88	1.33	.50	.48	4.72	.75	3.88	2.19	.22	2.89	3.19	1.25	5.12	4.25	7
CL-36310-SPHR	1000	3/8-16		1.39		.98						2.84					12
CL-36315-SPHR	2500	1/2-13		1.53		1.23						2.70					28
CL-36320-SPHR	4000	5/8-11		1.64		1.29						2.92					60
CL-36325-SPHR	5000	3/4-10	1.25	1.78	.75	1.25	6.25	.88	5.25	3.25	.25	2.94	4.19	1.62	6.75	5.62	100
CL-36330-SPHR	7000	3/4-10		2.12								4.00					100
CL-36335-SPHR	8000	7/8-9		2.25								3.88					160
CL-36340-SPHR	10000	1"-8		2.38								3.75					230

METRIC

CLM-36805-SPHR	880	M8	.88	1.34	.50	.55	4.72	.75	3.88	2.20	.20	2.87	3.19	1.25	5.12	4.25	7
CLM-36810-SPHR	1000	M10		1.42		.94						2.80					12
CLM-36815-SPHR	2300	M12		1.50		1.46						2.72					27
CLM-36820-SPHR	4000	M16		1.65		2.56						59					
CLM-36825-SPHR	4800	M20	1.25	1.81	.75	1.54	6.25	.88	5.25	3.11	.24	2.40	4.19	1.62	6.75	5.62	100
CLM-36830-SPHR	6600	M20		2.24								3.27					100
CLM-36835-SPHR	9200	M24		2.40								3.11					230

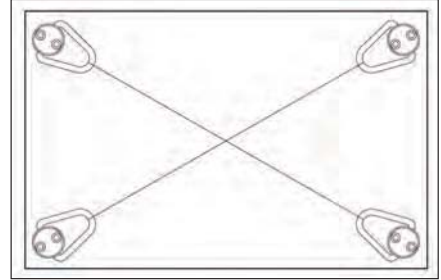
PIVOTING HOIST RINGS

RING: FORGED 4130 STEEL, HEAT TREATED, BLACK OXIDE FINISH, 100% MAGNAFLUX INSPECTED PER ASTM E-1444
 BASE: FORGED 1045 STEEL, BLACK OXIDE FINISH

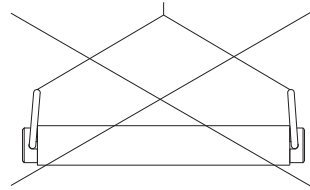
2



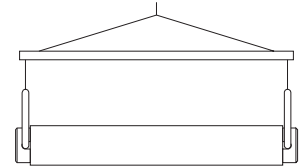
Economical hoist ring with a low profile and high load capacity. Forged base and solid-loop forged ring. Pivots a full 180 degrees, but does not rotate (install so that lifting force is applied in the pivoting direction). Safety factor = 5:1. Fasten hoist ring with grade-8 Socket-Head Cap Screws, using the installation torque specified in the dimension table. The smallest three sizes have two mounting holes, the largest two sizes have four. **INFO+:** See general Hoist Ring Safety Precautions on page 66.



Install hoist rings so that lifting force is applied in the pivoting direction.



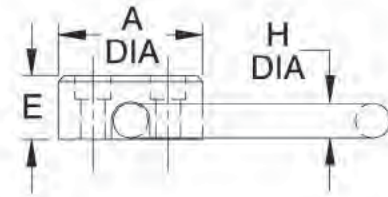
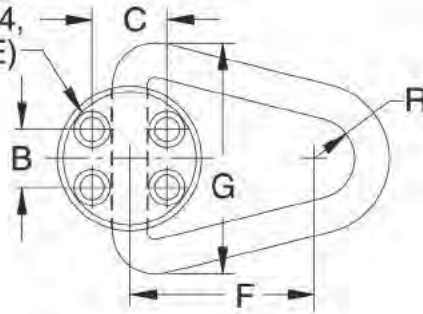
BAD



GOOD

Do not allow hoist rings to bind. Use a spreader bar, if necessary, to avoid binding.

FOR D SOCKET-HEAD CAP SCREWS (2 OR 4, DEPENDING ON SIZE)



PART NO.	LOAD RATING (LBS)	A DIA	B	C	D THREAD X MIN. LENGTH	E DIA	F	G	H DIA	R	INSTALLATION TORQUE (FT-LBS)	SCREW EXTENSION BELOW BASE
CL-20-HR	2000	1-3/4	0	1	5/16-18x1.00 (or M8x25mm)	3/4	2	2-1/2	5/16	1/2	4-7	.58 (or 14mm)
CL-25-HR	2500	2-1/4		1-1/8	3/8-16x1.25 (or M10x30mm)	7/8	2-1/2	3-3/16	3/8	5/8	7-10	.79 (or 18mm)
CL-50-HR	5000	2-5/8		1-1/2	1/2-13x1.50 (or M12x40mm)	1-1/8	3	3-7/8	1/2	3/4	20-25	.90 (or 25mm)
CL-120-HR	12000	3-1/8	1-1/4	1-5/8	1/2-13x1.75 (or M12x45mm)	1-3/8	4	5	3/4	7/8	20-25	.90 (or 23mm)
CL-200-HR	20000	3-5/8		2-1/16	5/8-11x2.50 (or M16x65mm)	1-7/8	5	6-3/16	1	1	42-50	1.25 (or 33mm)

LIFTING EYES

FORGED CARBON STEEL, QUENCHED AND DRAWN, PLAIN FINISH



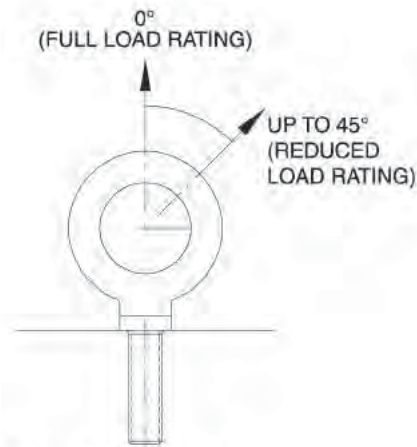
Lifting Eyes are forged steel eyebolts with an integral shoulder for greater strength. These simple, economical lifting devices are suitable for vertical lifting in-line with the threaded bolt, such as when lifting from a single point or from two points with a spreader bar. For lifting at an angle, Swivel Hoist Rings should be used instead. Manufactured and tested according to ASTM A489 and ANSI B18.15 specifications. Safety factor = 5:1. Made in USA.

Lifting Eyes should be inspected before each use for possible defects and installed by a person trained in the installation of lifting devices. The tapped receiving hole should be countersunk, free of any debris, and deep enough to ensure proper shoulder seating. Firm hand tightening is recommended for installation; do not use wrenches or bars. Angular lifting should be avoided, because angular lifts significantly reduce rated capacity. Any angular loads must be radial in the plane of the eye, never at an angle to that plane. A steel washer or shim may be used under the shoulder to achieve proper

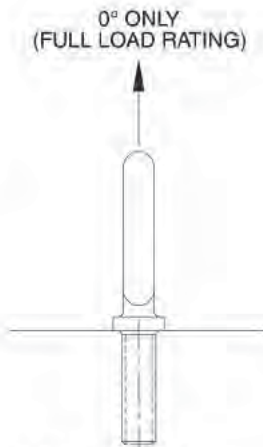
eye orientation, but its thickness should not exceed one thread pitch. A washer may also be required to ensure flush seating on rough mounting surfaces.

Do not exceed rated load capacity. Maximum load rating applies to straight vertical lifting only. Lifting at an angle reduces load rating significantly – see table below for reduced load rating at 45° (this reduced rating should be used for any lift other than at 0° vertical). Do not work, stand, or crawl near the load of a Lifting Eye. Do not use a Lifting Eye to lift a load that can rotate; Swivel Hoist Rings should be used for such loads. Do not shock load Lifting Eyes; instead gradually increase lifting of the load to minimize load shock. Do not force hooks or any other fittings into the eye; they must fit freely. Do not weld or machine Lifting Eyes, or perform any repair. Do not expose Lifting Eyes to extreme temperatures or environmental conditions, as this may permanently reduce load capacity. Periodic inspection of installed Lifting Eyes is highly recommended. **INFO+**: Also see general Hoist Ring Safety Precautions on page 66.

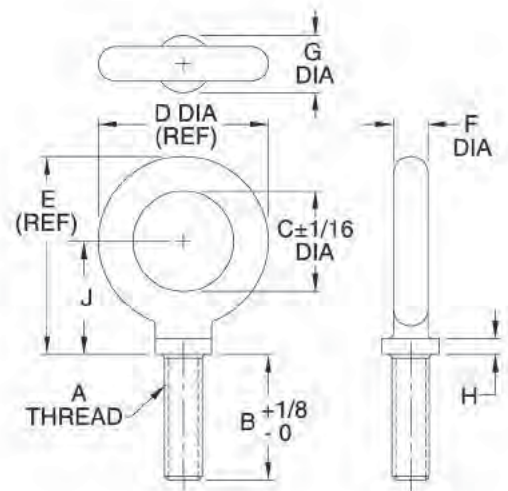
2



Angular lifting at up to 45° is allowable in this direction (plane of the eye) but load rating is reduced.



Only straight lifting is allowable in this direction.



INCH

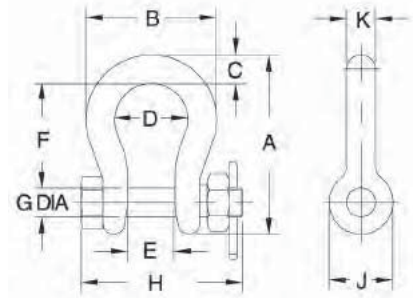
PART NO.	A	B	C DIA	D DIA	E	F DIA	G DIA	H	J	LOAD RATING (LBS)	
										0°	45°
CL-4-LE	1/4-20	1	3/4	1-3/16	1-11/32	7/32	17/32	5/32	3/4	500	125
CL-5-LE	5/16-18	1-1/8	7/8	1-7/16	1-21/32	9/32	19/32	5/32	15/16	900	225
CL-6-LE	3/8-16	1-1/4	1	1-11/16	1-31/32	11/32	21/32	5/32	1-1/8	1300	325
CL-8-LE	1/2-13	1-1/2	1-3/16	2-1/8	2-7/16	15/32	29/32	7/32	1-3/8	2400	600
CL-10-LE	5/8-11	1-3/4	1-3/8	2-9/16	2-15/16	19/32	1-1/32	9/32	1-21/32	4000	1000
CL-12-LE	3/4-10	2	1-1/2	2-13/16	3-7/32	21/32	1-3/16	9/32	1-13/16	5000	1250
CL-16-LE	1"-8	2-1/2	1-3/4	3-19/16	4-3/32	29/32	1-9/16	13/32	2-5/16	9000	2250

HOIST RING ACCESSORIES

2



High-strength forged alloy-steel anchor shackle. Supplied with thin-head bolt and nut with cotter pin. Meets Federal Specification RR-C 271D, Type IVA, Grade A, Class 3. Safety factor = 6:1. Heat treated with black oxide finish. **INFO+**: See general Hoist Ring Safety Precautions on page 66.



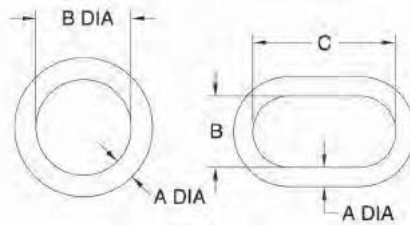
Forged Anchor Shackles

FORGED ANCHOR SHACKLES (INCH)

PART NO.	LOAD RATING (LBS)	NOMINAL SHACKLE SIZE	A	B	C	D	E	F	G DIA.	H	J	K
CL-36511-FAS	2000	3/8	2.49	1.78	.38	1.03	.66	1.44	.44	2.17	.91	3/8
CL-36521-FAS	3000	7/16	2.91	2.03	.44	1.16	.75	1.69	.50	2.51	1.06	7/16
CL-36531-FAS	4000	1/2	3.28	2.31	.50	1.31	.81	1.88	.63	2.80	1.19	1/2
CL-36541-FAS	6500	5/8	4.19	2.94	.69	1.69	1.06	2.38	.75	3.53	1.50	5/8
CL-36551-FAS	13000	7/8	5.83	4.03	.97	2.28	1.44	3.31	1.00	4.71	2.09	7/8
CL-36561-FAS	19000	1-1/8	7.47	5.16	1.25	2.91	1.81	4.25	1.25	5.09	2.69	1-1/8
CL-36571-FAS	24000	1-1/4	8.25	5.75	1.38	3.25	2.03	4.69	1.38	6.51	3.00	1-1/4



Forged Rings



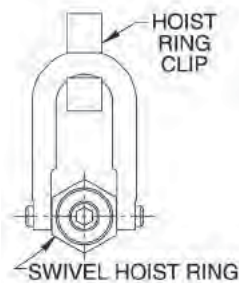
High-strength weldless forged alloy-steel ring. Meets Federal Specification RR-C 271D, Type VI. Safety factor = 6:1. Heat treated with black oxide finish. The largest-size Forged Ring (49000 lbs capacity) is oval shaped. **INFO+**: See general Hoist Ring Safety Precautions on page 66.

FORGED RINGS

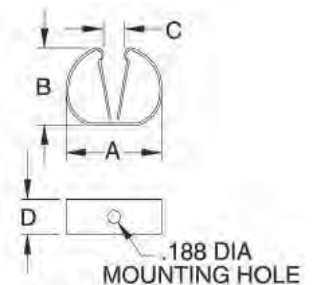
PART NO.	LOAD RATING (LBS)	A DIA.	B DIA.	C
CL-36111-FR	3800	3/8	2	—
CL-36121-FR	6100	5/8	3	—
CL-36131-FR	18000	1	4	—
CL-36141-FR	30000	1-3/8	6	—
CL-36151-FR	49000	1-1/2	5-1/4	10-1/2



Hoist-Ring Clips



Handy holddown clip to keep Swivel Hoist Rings and Side-Pull Hoist Rings from rotating when not in use. Spring steel, zinc plated. Available in two sizes, one fitting ring diameters from 3/8" to 5/8", the other fitting ring diameters from 3/4" to 1-1/16".



HOIST-RING CLIPS

PART NO.	FITS RING DIAMETER	A	B	C	D
CL-1-HRC	3/8, 7/16, 5/8	1-3/8	15/16	5/16	1/2
CL-2-HRC	3/4, 1-1/16	1-5/8	1-1/4	3/4	5/8

HANDLES, KNOBS & SCREW CLAMPS

3



Fluted Knobs



Four-Prong Knobs & Screw Clamps



Three-Prong Knobs



T-Handle Knobs



Bar-Handle Knobs & Screw Clamps



Knurled Knobs & Screw Clamps



Socket-Head Screw Clamps



Feet for Swivel Screws



Latch Screws



Hand Wheels



Solid Handles



Revolving Handles



Lever Handles & Crank Handles



Adjustable Lever Handles



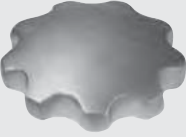






Knob Handles



Pull Handles






HAND KNOBS

TYPES

		MADE IN THE USA	ALUMINUM	STEEL	CAST IRON	STAINLESS STEEL	PLASTIC
3		PALM-GRIP HAND KNOBS Polished full-grip hand knob. Choose from two sizes, each available blank, tapped, or reamed.	X	X			
		FLUTED KNOBS Large easy-grip knob that is excellent for either fine adjustment or high-torque applications.	X				X
		STAR KNOBS Five lobes provide a firm, sure grip for applications requiring quick tightening and high torque.	X				X
		HAND KNOBS – CAST IRON Classic easy-to-grip clamping knob. Choose from five sizes, each available blank, tapped, tapped through, or reamed.	X			X	
		HAND KNOBS – ALUMINUM Classic easy-to-grip clamping knob. Choose from five sizes, each available blank, tapped, tapped through, or reamed.	X	X			
		HAND KNOBS – STAINLESS STEEL High-quality beautiful polished finish. Four-prong design provides a firm grip for applications requiring quick tightening and high torque.	X				X
		HAND KNOB ASSEMBLIES Classic, easy-to-grip aluminum knob with an integral steel clamping screw.	X	X			

HAND KNOBS

TYPES

		MADE IN THE USA	ALUMINUM	STEEL	CAST IRON	STAINLESS STEEL	PLASTIC
	SWIVEL-WASHER HAND KNOB ASSEMBLIES Hand-knob assembly with a captive, freely rotating washer to prevent marring in clamping applications. Now available with a choice of steel or nylon washer.	X	X				
	KNOB SHOE ASSEMBLIES Features an integral steel clamping screw with a removable swivel foot. Uses our patented left-hand-thread swivel foot system.	X	X				
	FOUR PRONG KNOBS Design provides a strong grip for clamping and other applications requiring quick tightening and high torque.	X					X
	QUICK-ACTING KNOBS Slides in and out of clamping position quickly; ideal when the knob must be completely removed for loading.	X			X		
	BAR KNOBS Heavy-duty knob that can be turned easily by hand, then tightened by inserting a bar between the prongs.	X				X	
	THREE-PRONG KNOBS Modern design provides quick tightening and high torque. Textured non-slip, non-glare finish.	X					X
	T-HANDLE KNOBS Provides maximum leverage for heavy-duty clamping.	X					

3

PALM-GRIP HAND KNOBS

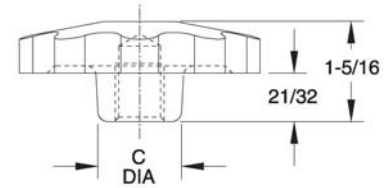
319 ALUMINUM ALLOY

3

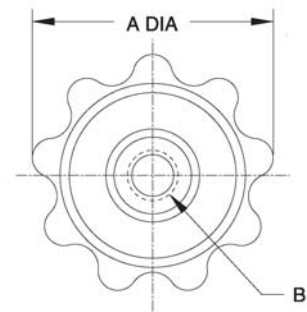


1/2-13
5/8-11
M12
M16

Polished full-grip hand knob. Choose from two knob sizes, each available blank, tapped or reamed.
Note: Catalog photos are actual size.

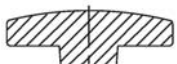


3/8-16
1/2-13
M10
M12



INCH & METRIC

PART NO.	A DIA	C DIA	HOLE TYPE	B
CL-11-PHK	2-3/4	1	BLANK	—
CL-13-PHK			TAPPED	3/8-16 X 3/4 DEEP
CL-14-PHK				1/2-13 X 3/4 DEEP
CLM-13-PHK				M10 X 3/4 DEEP
CLM-14-PHK			REAMED	M12 X 3/4 DEEP
CL-12-PHK				3/8 X 7/8 DEEP
CL-15-PHK				1/2 X 7/8 DEEP
CLM-12-PHK			10mm X 7/8 DEEP	
CLM-15-PHK			12mm X 7/8 DEEP	
CL-21-PHK			3-1/8	1
CL-23-PHK	TAPPED	1/2-13 X 3/4 DEEP		
CL-24-PHK		5/8-11 X 3/4 DEEP		
CLM-23-PHK		M12 X 3/4 DEEP		
CLM-24-PHK	REAMED	M16 X 3/4 DEEP		
CL-22-PHK		1/2 X 7/8 DEEP		
CL-25-PHK		5/8 X 1 DEEP		
CLM-22-PHK	12mm X 7/8 DEEP			
CLM-25-PHK	16mm X 1 DEEP			



Blank



Tapped



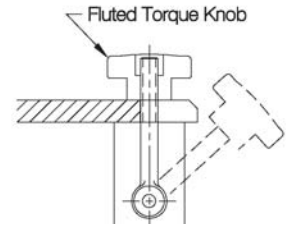
Reamed

FLUTED KNOBS

BLACK PHENOLIC PLASTIC OR THERMOPLASTIC WITH BRASS INSERT



Large easy-grip knob that is excellent for either fine-adjustment or high-torque applications. Molded-in brass insert provides superior thread strength. Choice of four knob sizes. Non-standard thread sizes, reamed holes, or molded-in studs are available in quantities of 500 and above. Note: Catalog photos are actual size.



3

Phenolic — Tapped Through Hole

1/2-13 CL-88-PFK
5/8-11 CL-810-PFK

Phenolic — Tapped Short Hub



3/8-16 CL-66-PFK
1/2-13 CL-68-PFK
M12 CLM-612-PFK



3/8-16 CL-660-PFK



3/8-16 CL-666-PFK



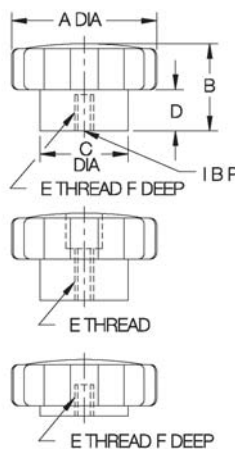
3/8-16 CL-466-PFK



1/4-20 CL-44-PFK
5/16-18 CL-45-PFK
3/8-16 CL-46-PFK
M8 CLM-48-PFK
M10 CLM-410-PFK



5/16-18 CL-450-PFK



#10-32 CL-23-PFK
1/4-20 CL-24-PFK
5/16-18 CL-25-PFK
M6 CLM-26-PFK

PHENOLIC — TAPPED (INCH & METRIC)

PART NO.	A DIA	B	C DIA	D	E	F	
CL-23-PFK	1-3/8	27/32	27/32	25/64	#10-32	5/16	
CL-24-PFK					1/4-20		
CL-25-PFK					5/16-18		
CLM-26-PFK	1-3/4	1-1/16	1-1/16	1/2	M6	7/16	
CL-44-PFK					1/4-20		
CL-45-PFK					5/16-18		
CL-46-PFK					3/8-16	1/2	
CLM-48-PFK					M8		
CLM-410-PFK	M10	7/16					
CL-66-PFK	2-3/8		1-5/16	1-1/4	5/8	3/8-16	1/2
CL-68-PFK						1/2-13	
CLM-612-PFK	3-1/4	1-25/32	2	7/8	M12	5/8	
CL-88-PFK					1/2-13		
CL-810-PFK					5/8-11	3/4	

PHENOLIC — TAPPED THROUGH HOLE (INCH)

CL-450-PFK	1-3/4	61/64	1-1/16	1/2	5/16-18	5/8
CL-660-PFK	2-3/8	1-9/32	1-1/4	5/8	3/8-16	5/8

PHENOLIC — TAPPED, SHORT HUB (INCH)

CL-466-PFK	1-3/4	11/16	3/4	1/8	3/8-16	3/8
CL-666-PFK	2-3/8	13/16	3/4	1/8	3/8-16	1/2

FLUTED KNOBS

BLACK THERMOPLASTIC OR PHENOLIC PLASTIC WITH BRASS INSERT

Thermoplastic — Tapped



5/16-18 CL-750-PFK
3/8-16 CL-760-PFK



5/16-18 CL-550-PFK
3/8-16 CL-560-PFK



1/4-20 CL-340-PFK
5/16-18 CL-350-PFK

INFO+: Thermoplastic version of the Fluted Knobs on page 87, with a textured non-slip, non-glare finish. Choice of three knob sizes. Molded-in brass insert provides superior thread strength. Non-standard thread sizes, reamed holes, molded-in studs, or special colors are available in quantities of 500 and above. Note: Catalog photos are actual size.

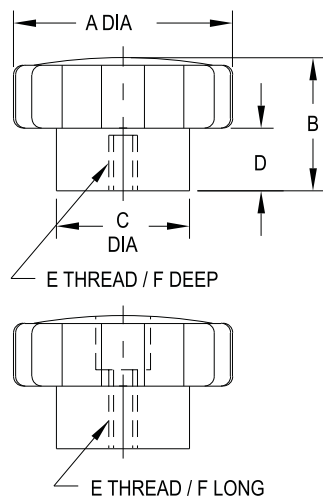
Thermoplastic — Tapped Through Hole



5/16-18 CL-551-PFK
3/8-16 CL-561-PFK



1/4-20 CL-341-PFK
5/16-18 CL-351-PFK



THERMOPLASTIC — TAPPED

PART NO.	A DIA	B	C DIA	D	E	F
CL-340-PFK	1-1/2	1	3/4	3/8	1/4-20	5/8
CL-350-PFK					5/16-18	
CL-550-PFK	2-5/32	1-1/8	3/4	3/8	5/16-18	3/4
CL-560-PFK					3/8-16	
CL-750-PFK	3-1/4	1-5/8	2	3/4	5/16-18	3/4
CL-760-PFK					3/8-16	

THERMOPLASTIC — TAPPED THROUGH HOLE

CL-341-PFK	1-1/2	1	3/4	3/8	1/4-20	5/8
CL-351-PFK					5/16-18	
CL-551-PFK	2-5/32	1-1/8	3/4	3/8	5/16-18	7/8
CL-561-PFK					3/8-16	

STAR KNOBS

BLACK THERMOPLASTIC OR CUSHION-GRIP PLASTIC WITH BRASS INSERT

Thermoplastic — Tapped

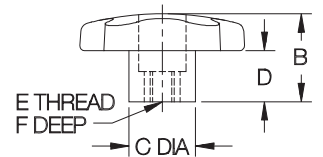
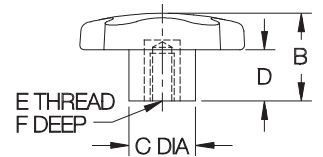
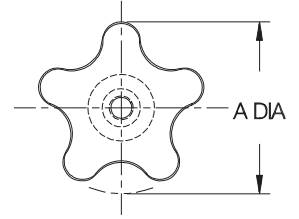


1/4-20 CL-632-SK
5/16-18 CL-642-SK
3/8-16 CL-652-SK

Thermoplastic — Tapped Through Hole



1/4-20 CL-636-SK
5/16-18 CL-646-SK
3/8-16 CL-656-SK



Star Knobs have five lobes to provide a firm, sure grip for applications requiring quick tightening and high torque. Smooth, rounded lobes prevent snagging. Thermoplastic version has a textured, non-slip, non-glare finish. Cushion-Grip version is made from a unique material that feels soft to the touch, comfortable yet rugged. Molded-in brass insert provides superior thread strength. Non-standard thread sizes, reamed holes, molded-in studs, or special colors are available in quantities of 500 and above. Note: Catalog photos are actual size.

Cushion Grip — Tapped



5/16-18 CL-755-SK
3/8-16 CL-765-SK



1/4-20 CL-545-SK
5/16-18 CL-555-SK
3/8-16 CL-565-SK



1/4-20 CL-345-SK
5/16-18 CL-355-SK

THERMOPLASTIC — TAPPED

PART NO.	A DIA	B	C DIA	D	E	F
CL-632-SK	2-1/4	1	7/8	1/2	1/4-20	1/2
CL-642-SK					5/16-18	5/8
CL-652-SK					3/8-16	1/2

THERMOPLASTIC — TAPPED THROUGH HOLE

PART NO.	A DIA	B	C DIA	D	E	F
CL-636-SK	2-1/4	1	7/8	1/2	1/4-20	5/8
CL-646-SK					5/16-18	
CL-656-SK					3/8-16	

CUSHION GRIP — TAPPED

PART NO.	A DIA	B	C DIA	D	E	F
CL-345-SK	1-1/2	1-3/32	11/16	15/64	1/4-20	5/8
CL-355-SK					5/16-18	
CL-545-SK	2	1-3/8	3/4	33/64	1/4-20	5/8
CL-555-SK					5/16-18	
CL-565-SK					3/8-16	
CL-755-SK					5/16-18	
CL-765-SK	2-3/8	1-5/8	3/4	11/16	3/8-16	5/8

HAND KNOBS

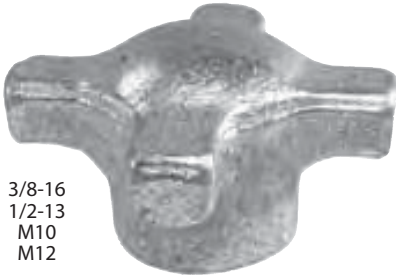
CAST IRON, ZINC PLATED CLEAR CHROMATE
OR 319 ALUMINUM ALLOY



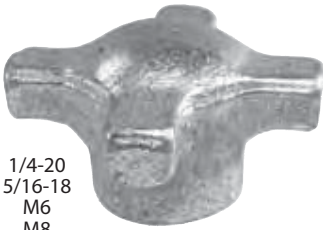
5/8-11
3/4-10
M16
M20



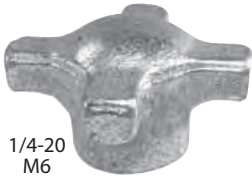
1/2-13
5/8-11
M12
M16



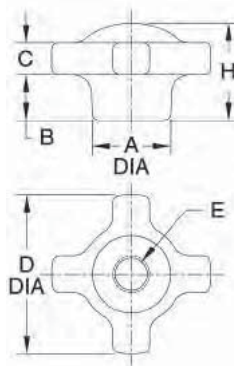
3/8-16
1/2-13
M10
M12



1/4-20
5/16-18
M6
M8



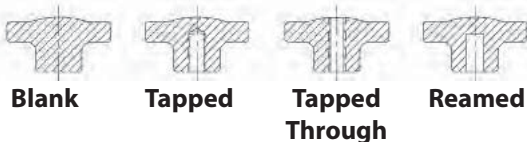
1/4-20
M6



INCH & METRIC

PART NO. CAST IRON	PART NO. ALUMINUM	D DIA	A DIA	B	C	H	HOLE TYPE	E					
CL-85-HK-8	CL-85-HK-8A	1-1/8	9/16	5/16	5/16	7/8	BLANK	—					
CL-80-HK-8	CL-80-HK-8A						TAPPED	1/4-20 x 1/2 DEEP					
CLM-80-HK-8	CLM-80-HK-8A						TAPPED THROUGH	M6 x 1/2 DEEP					
CL-8-HK-8	CL-8-HK-8A						TAPPED THROUGH	1/4-20					
CLM-8-HK-8	CLM-8-HK-8A						TAPPED THROUGH	M6					
CL-28-HK-8	CL-28-HK-8A						REAMED	1/4 x 1/2 DEEP					
CLM-28-HK-8	CLM-28-HK-8A	REAMED	6mm x 1/2 DEEP										
CL-25-HK-2	CL-25-HK-2A	1-3/4	3/4	1/2	3/8	1-1/8	BLANK	—					
CL-10-HK-2	CL-10-HK-2A						TAPPED	1/4-20 x 7/8 DEEP					
CL-20-HK-2	CL-20-HK-2A						TAPPED	5/16-18 x 7/8 DEEP					
CLM-10-HK-2	CLM-10-HK-2A						TAPPED	M6 x 7/8 DEEP					
CLM-20-HK-2	CLM-20-HK-2A						TAPPED	M8 x 7/8 DEEP					
CL-1-HK-2	CL-1-HK-2A						TAPPED THROUGH	1/4-20					
CL-2-HK-2	CL-2-HK-2A						TAPPED THROUGH	5/16-18					
CLM-1-HK-2	CLM-1-HK-2A						TAPPED THROUGH	M6					
CLM-2-HK-2	CLM-2-HK-2A						TAPPED THROUGH	M8					
CL-21-HK-2	CL-21-HK-2A						REAMED	1/4 x 7/8 DEEP					
CL-22-HK-2	CL-22-HK-2A						REAMED	5/16 x 7/8 DEEP					
CLM-21-HK-2	CLM-21-HK-2A						REAMED	6mm x 7/8 DEEP					
CLM-22-HK-2	CLM-22-HK-2A	REAMED	8mm x 7/8 DEEP										
CL-45-HK-4	CL-45-HK-4A	2-1/8	1	5/8	7/16	1-3/8	BLANK	—					
CL-20-HK-4	CL-20-HK-4A						TAPPED	5/16-18 x 1 DEEP					
CL-30-HK-4	CL-30-HK-4A						TAPPED	3/8-16 x 1 DEEP					
CL-40-HK-4	CL-40-HK-4A						TAPPED	1/2-13 x 1 DEEP					
CLM-20-HK-4	CLM-20-HK-4A						TAPPED	M8 x 1 DEEP					
CLM-30-HK-4	CLM-30-HK-4A						TAPPED	M10 x 1 DEEP					
CLM-40-HK-4	CLM-40-HK-4A						TAPPED	M12 x 1 DEEP					
CL-2-HK-4	CL-2-HK-4A						TAPPED THROUGH	5/16-18					
CL-3-HK-4	CL-3-HK-4A						TAPPED THROUGH	3/8-16					
CL-4-HK-4	CL-4-HK-4A						TAPPED THROUGH	1/2-13					
CLM-2-HK-4	CLM-2-HK-4A						TAPPED THROUGH	M8					
CLM-3-HK-4	CLM-3-HK-4A						TAPPED THROUGH	M10					
CLM-4-HK-4	CLM-4-HK-4A						TAPPED THROUGH	M12					
CL-23-HK-4	CL-23-HK-4A						REAMED	3/8 x 1 DEEP					
CL-24-HK-4	CL-24-HK-4A						REAMED	1/2 x 1 DEEP					
CLM-23-HK-4	CLM-23-HK-4A						REAMED	10mm x 1 DEEP					
CLM-24-HK-4	CLM-24-HK-4A						REAMED	12mm x 1 DEEP					
CL-105-HK-10	CL-105-HK-10A						2-1/2	1-1/8	1	1/2	1-5/8	BLANK	—
CL-90-HK-9	CL-90-HK-9A											TAPPED	1/2-13 x 1-1/4 DEEP
CL-100-HK-10	CL-100-HK-10A											TAPPED	5/8-11 x 1-1/4 DEEP
CLM-90-HK-9	CLM-90-HK-9A											TAPPED	M12 x 1-1/4 DEEP
CLM-100-HK-10	CLM-100-HK-10A											TAPPED	M16 x 1-1/4 DEEP
CL-9-HK-9	CL-9-HK-9A											TAPPED THROUGH	1/2-13
CL-10-HK-10	CL-10-HK-10A											TAPPED THROUGH	5/8-11
CLM-9-HK-9	CLM-9-HK-9A	TAPPED THROUGH	M12										
CLM-10-HK-10	CLM-10-HK-10A	TAPPED THROUGH	M16										
CL-29-HK-9	CL-29-HK-9A	REAMED	1/2 x 1-1/4 DEEP										
CL-31-HK-10	CL-31-HK-10A	REAMED	5/8 x 1-1/4 DEEP										
CLM-29-HK-9	CLM-29-HK-9A	REAMED	12mm x 1-1/4 DEEP										
CLM-31-HK-10	CLM-31-HK-10A	REAMED	16mm x 1-1/4 DEEP										
CL-65-HK-6	CL-65-HK-6A	2-3/4	1-3/8	3/4	1/2	1-1/2	BLANK	—					
CL-50-HK-6	CL-50-HK-6A						TAPPED	5/8-11 x 1-1/8 DEEP					
CL-60-HK-6	CL-60-HK-6A						TAPPED	3/4-10 x 1-1/8 DEEP					
CLM-50-HK-6	CLM-50-HK-6A						TAPPED	M16 x 1-1/8 DEEP					
CLM-60-HK-6	CLM-60-HK-6A						TAPPED	M20 x 1-1/8 DEEP					
CL-5-HK-6	CL-5-HK-6A						TAPPED THROUGH	5/8-11					
CL-6-HK-6	CL-6-HK-6A						TAPPED THROUGH	3/4-10					
CLM-5-HK-6	CLM-5-HK-6A						TAPPED THROUGH	M16					
CLM-6-HK-6	CLM-6-HK-6A						TAPPED THROUGH	M20					
CL-25-HK-6	CL-25-HK-6A						REAMED	5/8 x 1-1/8 DEEP					
CL-26-HK-6	CL-26-HK-6A						REAMED	3/4 x 1-1/8 DEEP					
CLM-25-HK-6	CLM-25-HK-6A						REAMED	16mm x 1-1/8 DEEP					
CLM-26-HK-6	CLM-26-HK-6A						REAMED	20mm x 1-1/8 DEEP					

Classic easy-to-grip clamping knob, available in cast iron or aluminum. Choose from five knob sizes, each available blank, tapped, tapped through, or reamed. Note: catalog photos are actual size.

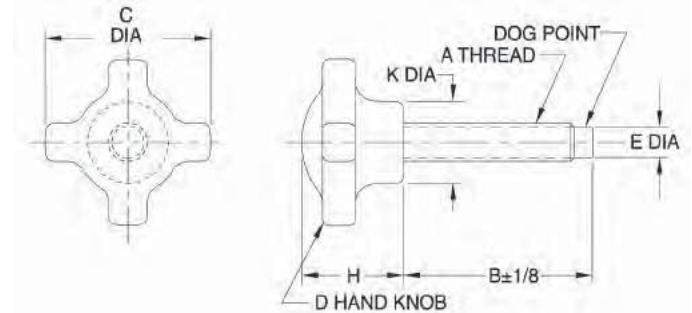


HAND KNOB ASSEMBLIES

KNOB: 319 ALUMINUM ALLOY
 SCREW: 12L14 STEEL, BLACK OXIDE FINISH OR ZINC PLATED CLEAR CHROMATE



Classic, easy-to-grip aluminum knob with an integral steel clamping screw. Four-prong design provides a firm grip for applications requiring quick tightening and high torque. Choice of three knob sizes. Available in thread sizes from 1/4-20 to 3/4-10 (M6 to M20 in metric), most in a choice of several thread lengths. **INFO+**: See page 90 for additional hand-knob dimensions.



3

INCH

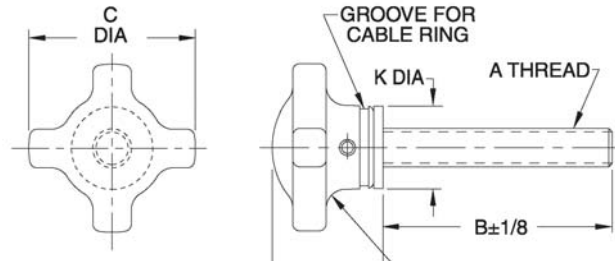
PART NO.	A	B	C DIA	D	E DIA	H	K DIA
CL-1-HK2T	1/4-20	1	1-3/4	CL-25-HK-2A	.15	1-1/8	3/4
CL-2-HK2T		1-1/2					
CL-2A-HK2T		2					
CL-2B-HK2T	5/16-18	3	1-3/4	CL-25-HK-2A	.20	1-1/8	3/4
CL-3A-HK2T		1					
CL-3-HK2T		1-3/4					
CL-4-HK2T		2-1/2					
CL-4A-HK2T		3					
CL-5A-HK4T	3/8-16	1	2-1/8	CL-45-HK-4A	.25	1-3/8	1
CL-5B-HK4T		1-1/2					
CL-5-HK4T		2					
CL-6-HK4T		2-1/2					
CL-6A-HK4T	1/2-13	3	2-1/8	CL-45-HK-4A	.34	1-3/8	1
CL-7A-HK4T		1					
CL-7B-HK4T		1-1/2					
CL-7C-HK4T		2					
CL-7-HK4T		2-1/2					
CL-8-HK4T		3					
CL-9-HK6T	5/8-11	1-3/4	2-3/4	CL-65-HK-6A	.46	1-1/2	1-3/8
CL-10-HK6T		3					
CL-12-HK6T	3/4-10	3			.56		

METRIC

PART NO.	A	B	C DIA	D	E DIA	H	K DIA
CLM-1-HK2T	M6	.98	1-3/4	CL-25-HK-2A	.17	1-1/8	3/4
CLM-2-HK2T		1.57					
CLM-3A-HK2T	M8	.98	1-3/4	CL-25-HK-2A	.23	1-1/8	3/4
CLM-3-HK2T		1.77					
CLM-4-HK2T		2.56					
CLM-5A-HK4T	M10	.98	2-1/8	CL-45-HK-4A	.27	1-3/8	1
CLM-5B-HK4T		1.57					
CLM-5-HK4T		1.97					
CLM-6-HK4T		2.56					
CLM-7A-HK4T	M12	.98	2-1/8	CL-45-HK-4A	.35	1-3/8	1
CLM-7B-HK4T		1.57					
CLM-7C-HK4T		1.97					
CLM-7-HK4T		2.56					
CLM-8-HK4T		2.95					
CLM-9-HK6T	M16	1.77	2-3/4	CL-65-HK-6A	.47	1-1/2	1-3/8
CLM-10-HK6T		2.95					
CLM-12-HK6T	M20	2.95			.59		

SWIVEL-WASHER HAND KNOB ASSEMBLIES

KNOB: 319 ALUMINUM ALLOY
 SCREW: 12L14 STEEL, BLACK OXIDE FINISH.
 WASHER: MILD STEEL



Now available with nylon washer!

Hand-knob assembly with a captive, freely rotating washer to prevent marring in clamping applications. Four-prong design provides a firm grip for applications requiring quick tightening and high torque. Plain-end screw with no dogpoint. Choice of three knob sizes. Available in thread sizes from 1/4-20 to 3/4-10, most in a choice of several thread lengths. **INFO+**: See page 90 for additional hand-knob dimensions.

ASSEMBLY WITH STEEL WASHER (INCH)

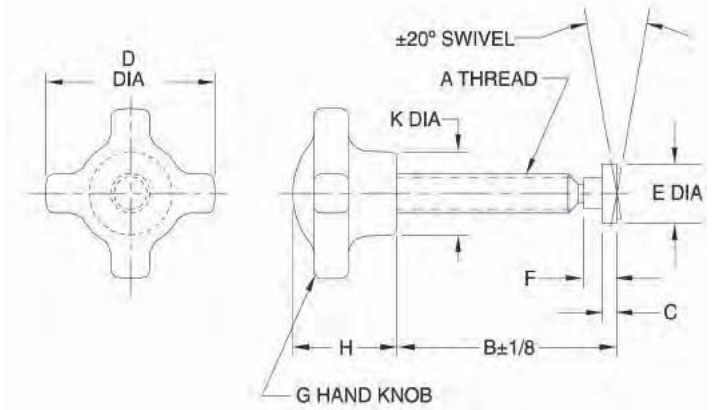
PART NO.	A	B	C DIA	D	H	K DIA	CABLE RING SIZE
CL-1-SHK2T	1/4-20	1	1-3/4	CL-25-HK-2A	1.33	3/4	CL-11-KR
CL-2-SHK2T		1-1/2					
CL-2A-SHK2T		2					
CL-2B-SHK2T	5/16-18	3	1-3/4	CL-25-HK-2A	1.34	3/4	CL-11-KR
CL-3A-SHK2T		1					
CL-3-SHK2T		1-3/4					
CL-4-SHK2T		2-1/2					
CL-4A-SHK2T	3/8-16	3	2-1/8	CL-45-HK-4A	1.47	1	CL-14-KR
CL-5A-SHK4T		1					
CL-5B-SHK4T		1-1/2					
CL-5-SHK4T		2					
CL-6-SHK4T		2-1/2					
CL-6A-SHK4T		3					
CL-7A-SHK4T		1					
CL-7B-SHK4T		1-1/2					
CL-7C-SHK4T	1/2-13	2	2-1/8	CL-45-HK-4A	1.53	1	CL-14-KR
CL-7-SHK4T		2-1/2					
CL-8-SHK4T		3					
CL-9-SHK6T		5/8-11					
CL-10-SHK6T	3						
CL-12-SHK6T	3/4-10		3	1.77			

ASSEMBLY WITH NYLON WASHER (INCH)

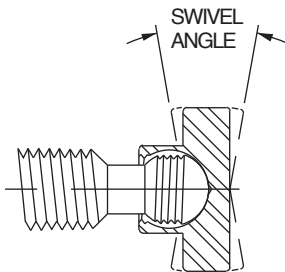
PART NO.	A	B	C DIA	D	H	K DIA	CABLE RING SIZE
CL-1-SHK2TN	1/4-20	1	1-3/4	CL-25-HK-2A	1.33	3/4	CL-11-KR
CL-2-SHK2TN		1-1/2					
CL-3-SHK2TN		1-3/4					
CL-5A-SHK4TN	3/8-16	1	2-1/8	CL-45-HK-4A	1.47	1	CL-14-KR
CL-7A-SHK4TN	1/2-13	1			1.53		
CL-7B-SHK4TN		1-1/2					

KNOB SHOE ASSEMBLIES

KNOB: 319 ALUMINUM ALLOY
 SCREW: 12L14 STEEL, BLACK OXIDE FINISH OR ZINC PLATED YELLOW CHROMATE
 FOOT: 12L14 STEEL, BLACK OXIDE FINISH OR ZINC PLATED YELLOW CHROMATE (OR DELRIN®)



This hand-knob assembly features an integral steel clamping screw with a removable swivel foot. Four-prong design provides a firm grip for applications requiring quick tightening and high torque. Choice of four knob sizes. Available in thread sizes from 1/4-20 to 3/4-10 (M6 to M20 in metric), most in a choice of several thread lengths. INFO+: See page 90 for additional hand-knob dimensions.



Knob Shoe Assemblies use our patented left-hand-thread swivel-foot system. The ball end of the body screws into the foot for easy installation and removal. Once the ball threads pass beyond the foot threads, the foot can rotate and pivot freely (20° total angle). Foot threads are left-hand to positively prevent accidental backout during use. Delrin® feet are optional. To order with a Delrin® foot, add "N" to the part number, e.g. CL-1-KSAN. Note: Delrin® feet are not threaded – they snap on and off. INFO+: For other foot types, see Feet for Swivel Screws on page 106 (order separately).

INCH

PART NO.	A	B	C	D DIA	E DIA	F	G	H	K DIA
CL-1-KSA	1/4-20	1-1/4	1/8	1-1/8	3/8	5/16	CL-85-HK-8A	7/8	9/16
CL-2-KSA		2							
CL-2A-KSA	1/4-20	2	1/8	1-3/4	3/8	5/16	CL-25-HK-2A	1-1/8	3/4
CL-3-KSA	3/8-16	1-1/2	5/32	1-3/4	1/2	11/32	CL-25-HK-2A	1-1/8	3/4
CL-4-KSA		2-1/4							
CL-4A-KSA		2							
CL-5-KSA		2-1/16							
CL-6-KSA	3/8-16	2-13/16	3/16	2-1/8	9/16	7/16	CL-45-HK-4A	1-3/8	1
CL-7-KSA		3-9/16							
CL-8-KSA		2-13/16							
CL-9-KSA	1/2-13	3-9/16	7/32	2-3/4	15/16	33/64	CL-65-HK-6A	1-1/2	1-3/8
CL-10-KSA		4-5/16							
CL-11-KSA	5/8-11	3-5/16	7/32	2-3/4	15/16	33/64	CL-65-HK-6A	1-1/2	1-3/8
CL-13-KSA		4-13/16							
CL-14-KSA	3/4-10	3-5/16	7/32	2-3/4	15/16	33/64	CL-65-HK-6A	1-1/2	1-3/8
CL-16-KSA		4-13/16							

METRIC

PART NO.	A	B	C	D DIA	E DIA	F	G	H	K DIA
CLM-1-KSA	M6	.98	1/8	1-1/8	3/8	5/16	CL-85-HK-8A	7/8	9/16
CLM-2-KSA		1.97							
CLM-3-KSA	M8	1.57	5/32	1-3/4	1/2	11/32	CL-25-HK-2A	1-1/8	3/4
CLM-4-KSA		2.36							
CLM-5-KSA	M10	1.97	3/16	2-1/8	9/16	7/16	CL-45-HK-4A	1-3/8	1
CLM-6-KSA		3.54							
CLM-7-KSA		2.76							
CLM-8-KSA	M12	4.33	7/32	2-3/4	5/16	33/64	CL-65-HK-6A	1-1/2	1-3/8
CLM-9-KSA		3.15							
CLM-10-KSA	M16	4.72	7/32	2-3/4	5/16	33/64	CL-65-HK-6A	1-1/2	1-3/8

FOUR-PRONG KNOBS

KNOB: BLACK PHENOLIC PLASTIC WITH BRASS INSERT
 STUD: MILD STEEL, ZINC PLATED CLEAR CHROMATE

Phenolic — Tapped



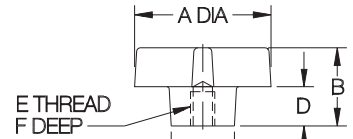
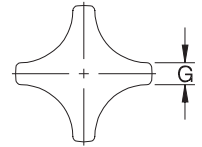
5/16-18 CL-20-PPK-4
 3/8-16 CL-30-PPK-4
 1/2-13 CL-40-PPK-4
 M10 CLM-10-PPK-4



1/4-20 CL-10-PPK-2
 5/16-18 CL-20-PPK-2
 3/8-16 CL-30-PPK-2
 M8 CLM-8-PPK-2



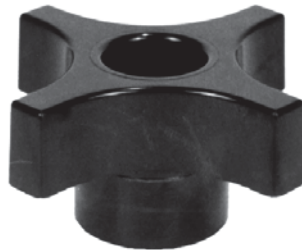
#10-24 CL-10B-PPK-1
 #10-32 CL-10A-PPK-1
 1/4-20 CL-10-PPK-1
 5/16-18 CL-20-PPK-1
 M6 CLM-6-PPK-1



Phenolic — Tapped Through Hole



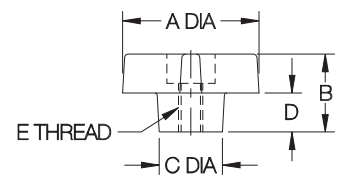
5/16-18 CL-2-PPK-4
 3/8-16 CL-3-PPK-4
 1/2-13 CL-4-PPK-4



1/4-20 CL-1-PPK-2
 5/16-18 CL-2-PPK-2
 3/8-16 CL-3-PPK-2



#10-24 CL-1B-PPK-1
 #10-32 CL-1A-PPK-1
 1/4-20 CL-1-PPK-1



Four-prong design provides a strong grip for clamping and other applications requiring quick tightening and high torque. Choice of three knob sizes. Molded-in brass insert provides superior thread strength. **INFO+**: Also available with a molded-in clamping stud (page 95). Non-standard thread sizes, reamed holes, or other lengths of molded-in studs are available in quantities of 500 and above. Note: Catalog photos are actual size.

PHENOLIC — TAPPED (INCH & METRIC)

PART NO.	A	B	C DIA	D	E	F	G
CL-10B-PPK-1	1-1/4	7/8	5/8	3/8	#10-24	5/16	1/4
CL-10A-PPK-1					#10-32		
CL-10-PPK-1					1/4-20		
CL-20-PPK-1					5/16-18		
CLM-6-PPK-1	1-3/4	1	13/16	1/2	M6	7/16	9/32
CL-10-PPK-2					1/4-20		
CL-20-PPK-2					5/16-18		
CL-30-PPK-2					3/8-16		
CLM-8-PPK-2	2-1/4	1-1/8	1	9/16	M8	5/8	5/16
CL-20-PPK-4					5/16-18		
CL-30-PPK-4					3/8-16		
CL-40-PPK-4					1/2-13		
CLM-10-PPK-4					M10		

PHENOLIC — TAPPED THROUGH HOLE (INCH)

CL-1B-PPK-1	1-1/4	7/8	5/8	3/8	#10-24	5/16	1/4
CL-1A-PPK-1					#10-32		
CL-1-PPK-1					1/4-20		
CL-1-PPK-2	1-3/4	1	13/16	1/2	1/4-20	5/8	9/32
CL-2-PPK-2					5/16-18		
CL-3-PPK-2					3/8-16		
CL-2-PPK-4	2-1/4	1-1/8	1	9/16	5/16-18	5/8	5/16
CL-3-PPK-4					3/8-16		
CL-4-PPK-4					1/2-13		

FOUR-PRONG KNOBS



#10-24 x 3/4
#10-32 x 3/4
1/4-20 x 1
M6 x 20mm

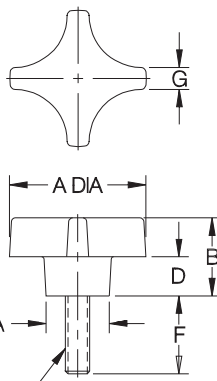
CL-1B-PPK1T
CL-1A-PPK1T
CL-1-PPK1T
CLM-620-PPK1T

1/4-20 x 1
5/16-18 x 1
5/16-18 x 1-1/2
5/16-18 x 2
M8 x 30mm

CL-1-PPK2T
CL-3A-PPK2T
CL-4A-PPK2T
CL-4B-PPK2T
CLM-830-PPK-2T

3/8-16 x 1
3/8-16 x 1-1/2
3/8-16 x 2
3/8-16 x 2-1/2
1/2-13 x 1-1/2
1/2-13 x 2
1/2-13 x 2-1/2
M10 x 40mm

CL-5A-PPK4T
CL-5B-PPK4T
CL-5-PPK4T
CL-6-PPK4T
CL-7B-PPK4T
CL-7C-PPK4T
CL-7-PPK4T
CLM-1040-PPK4T

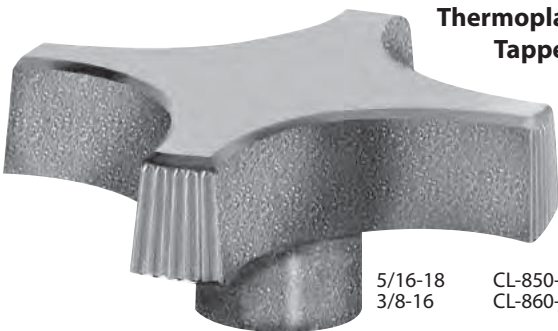


PHENOLIC — STUD TYPE (INCH & METRIC)

PART NO.	A	B	C DIA	D	E	F	G	
CL-1B-PPK1T	1-1/4	7/8	5/8	3/8	#10-24	3/4	1/4	
CL-1A-PPK1T					#10-32	3/4		
CL-1-PPK1T					1/4-20	1		
CLM-620-PPK1T					M6	.79		
CL-1-PPK2T	1-3/4	1	13/16	1/2	1/4-20	1	9/32	
CL-3A-PPK2T						1		
CL-4A-PPK2T					5/16-18	1-1/2		
CL-4B-PPK2T						2		
CLM-830-PPK2T					M8	1.18		
CL-5A-PPK4T	2-1/4	1-1/8	1	9/16	3/8-16	1	5/16	
CL-5B-PPK4T								1-1/2
CL-5-PPK4T								2
CL-6-PPK4T						2-1/2		
CL-7B-PPK4T						1-1/2		
CL-7C-PPK4T						2		
CL-7-PPK4T						2-1/2		
CLM-1040-PPK4T					M10	1.57		

FOUR-PRONG KNOBS

BLACK THERMOPLASTIC WITH BRASS INSERT



Thermoplastic — Tapped

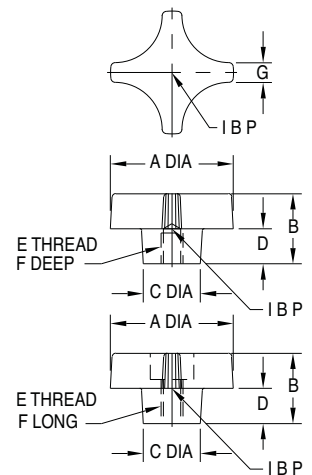
5/16-18 CL-850-PPK
3/8-16 CL-860-PPK



Thermoplastic — Tapped Through Hole

5/16-18 CL-851-PPK
3/8-16 CL-861-PPK

Four-prong design in thermoplastic, with a textured non-slip, non-glare finish. Molded-in brass insert provides superior thread strength. Non-standard thread sizes, reamed holes, molded-in studs, or special colors are available in quantities of 500 and above. Note: Catalog photos are actual size.



THERMOPLASTIC — TAPPED (INCH)

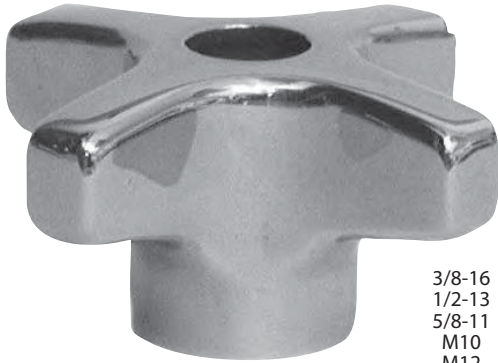
PART NO.	A	B	C DIA	D	E	F	G
CL-850-PPK	3	1-1/4	7/8	9/16	5/16-18	5/8	1/2
CL-860-PPK					3/8-16		

THERMOPLASTIC — TAPPED THROUGH HOLE (INCH)

PART NO.	A	B	C DIA	D	E	F	G
CL-851-PPK	3	1-1/4	7/8	9/16	5/16-18	5/8	1/2
CL-861-PPK					3/8-16		

HAND KNOBS – STAINLESS STEEL

300-SERIES STAINLESS STEEL

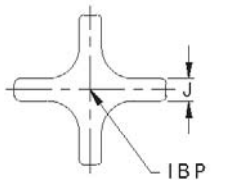


3/8-16
1/2-13
5/8-11
M10
M12
M16

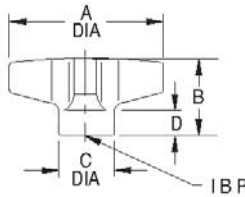


1/4-20
5/16-18
3/8-16
M6
M8
M10

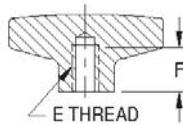
High-quality, stainless steel knob with a beautiful polished finish. Four-prong design provides a firm grip for applications requiring quick tightening and high torque. Choose from two knob sizes, each available blank, tapped, tapped through, or reamed. Note: Catalog photos are actual size.



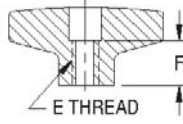
Blank



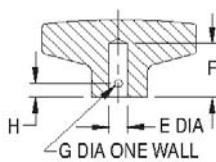
Tapped



Tapped Through Hole



Reamed

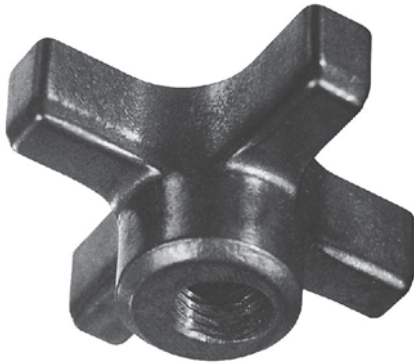


INCH & METRIC

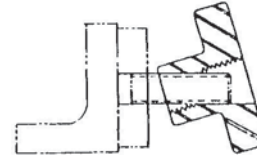
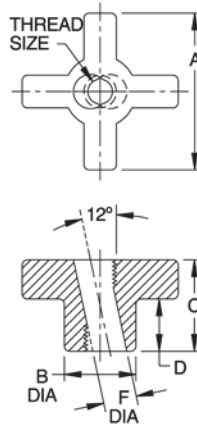
PART NO.	A DIA	B	C DIA	D	HOLE TYPE	E	F	G	H	J
CL-200-HK-S	2	1.02	.78	.34	BLANK	—	—	—	—	.33
CL-240-HK-S					TAPPED	1/4-20	11/16	—	—	
CL-250-HK-S						5/16-18				
CL-260-HK-S						3/8-16				
CLM-260-HK-S						M6				
CLM-280-HK-S					M8	1/2	—	—		
CLM-2100-HK-S					M10					
CL-241-HK-S					1/4-20					
CL-251-HK-S					5/16-18				5/8	
CL-261-HK-S					3/8-16	3/4	—	—		
CLM-261-HK-S					M6	1/2				
CLM-281-HK-S					M8	5/8				
CLM-2101-HK-S					M10	3/4				
CL-255-HK-S					REAMED	5/16	11/16	1/8	3/16	
CL-265-HK-S	3/8	5/32								
CL-600-HK-S	3	1.50	1.14	.50	BLANK	—	—	—	—	.47
CL-660-HK-S					TAPPED	3/8-16	1	—	—	
CL-680-HK-S						1/2-13				
CL-6100-HK-S						5/8-11				
CLM-6100-HK-S						M10				
CLM-6120-HK-S					M12	3/4	—	—		
CLM-6160-HK-S					M16					
CL-661-HK-S					3/8-16				1	
CL-681-HK-S					1/2-13				1	
CL-6101-HK-S					5/8-11	1-1/4	—	—		
CLM-6101-HK-S					M10	1				
CLM-6121-HK-S					M12					
CLM-6161-HK-S					M16					
CL-665-HK-S					REAMED		3/8	1	5/32	
CL-685-HK-S	1/2	3/16								

QUICK-ACTING KNOBS

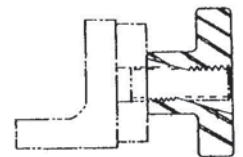
SINTERED IRON



Quick-acting four-prong knob that slides in and out of clamping position, ideal when the knob must be completely removed for loading. Tilt knob to slide in, then straighten to engage threads and tighten. To remove, loosen knob, then tilt to slide out. Four-prong design provides a firm grip for applications requiring quick tightening and high torque. For full strength, use a stud that extends slightly beyond the knob, to engage all threads.



Tilt knob to slide in and out.



Straighten knob to engage threads for clamping.

INCH

PART NO.	THREAD SIZE	A	B DIA	C	D	F DIA
CL-1-QAK	1/4-20	1-1/8	9/16	5/8	5/16	17/64
CL-2-QAK	5/16-18	1-1/2	11/16	7/8	1/2	21/64
CL-3-QAK	3/8-16	2	13/16	1		25/64
CL-4-QAK	1/2-13	2-1/2	1	1-1/8	9/16	33/64
CL-5-QAK	5/8-11	3	1-1/4	1-1/4	5/8	41/64

METRIC

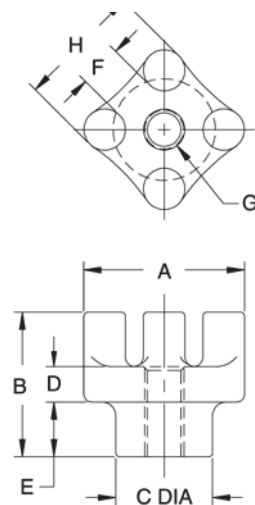
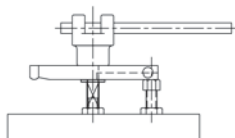
PART NO.	THREAD SIZE	A	B DIA	C	D	F DIA
CLM-6-QAK	M6	1-1/8	9/16	5/8	5/16	.25
CLM-8-QAK	M8	1-1/2	11/16	7/8	1/2	.33
CLM-10-QAK	M10	2	13/16	1		.41
CLM-12-QAK	M12	2-1/2	1	1-1/8	9/16	.49
CLM-16-QAK	M16	3	1-1/4	1-1/4	5/8	.65

BAR KNOBS

CAST IRON, ZINC PLATED CLEAR CHROMATE



Heavy-duty knob that can be turned easily by hand, then tightened by inserting a bar between the prongs. Choose from three knob sizes, each available blank or with a choice of tapped holes.



INCH & METRIC

PART NO.	A	B	C DIA	D	E	F	G	H
CL-1-BK	2	2-1/8	1-1/4	1/2	7/8	7/16	BLANK	1-5/8
CL-2-BK							3/8-16	
CL-4-BK							1/2-13	
CL-6-BK							5/8-11	
CLM-2-BK							M10	
CLM-4-BK							M12	
CLM-6-BK	M16	2						
CL-8-BK	BLANK							
CL-9-BK	1/2-13							
CL-11-BK	5/8-11							
CL-13-BK	3/4-10							
CLM-9-BK	M12							
CLM-11-BK	M16	2-7/8						
CLM-13-BK	M20							
CL-15-BK	BLANK							
CL-16-BK	3/4-10							
CL-18-BK	7/8-9							
CL-20-BK	1"-8							
CLM-16-BK	M20	2-7/8						
CLM-20-BK	M24							

THREE-PRONG KNOBS

BLACK THERMOPLASTIC WITH BRASS INSERT

3



5/16-18 CL-850-TPK
3/8-16 CL-860-TPK



1/4-20 CL-640-TPK
5/16-18 CL-650-TPK
3/8-16 CL-660-TPK



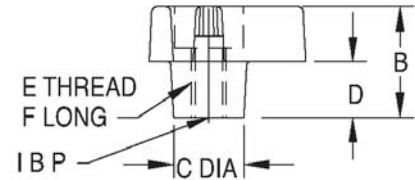
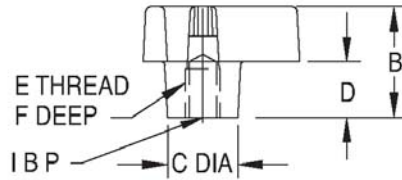
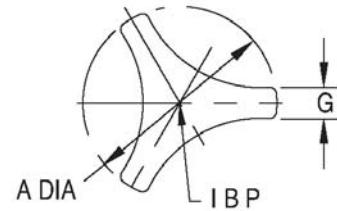
1/4-20 CL-440-TPK
5/16-18 CL-450-TPK

Thermoplastic — Tapped



5/16-18 CL-851-TPK
3/8-16 CL-861-TPK

Thermoplastic — Tapped Through Hole



Modern three-prong design provides quick tightening and high torque. Textured non-slip, non-glare finish. Choice of three knob sizes. Molded-in brass insert provides superior thread strength. Non-standard thread sizes, reamed holes, molded-in studs, or special colors are available in quantities of 500 and above.

TERMOPLASTIC — TAPPED (INCH)

PART NO.	A DIA	B	C DIA	D	E	F	G
CL-440-TPK	1-1/2	7/8	1/2	3/8	1/4-20	7/16	9/32
CL-450-TPK					5/16-18		
CL-640-TPK	2	1-1/16	5/8	1/2	1/4-20	7/16	3/8
CL-650-TPK					5/16-18		
CL-660-TPK					3/8-16		
CL-850-TPK	2-1/2	1-1/8	3/4	1/2	5/16-18	7/16	1/2
CL-860-TPK					3/8-16		

TERMOPLASTIC — TAPPED THROUGH HOLE (INCH)

PART NO.	A DIA	B	C DIA	D	E	F	G
CL-851-TPK	2-1/2	1-1/8	3/4	1/2	5/16-18	5/8	1/2
CL-861-TPK					3/8-16		

T-HANDLE KNOBS

BLACK PHENOLIC PLASTIC OR THERMOPLASTIC WITH BRASS INSERT

Phenolic — Tapped



- 1/4-20 CL-632-TK
- 5/16-18 CL-642-TK
- 3/8-16 CL-652-TK
- 3/8-24 CL-654-TK
- M8 CLM-642-TK
- M10 CLM-652-TK

Thermoplastic — Tapped



- 1/4-20 CL-6320-TK
- 5/16-18 CL-6420-TK
- 3/8-16 CL-6520-TK
- M8 CLM-6420-TK
- M10 CLM-6520-TK

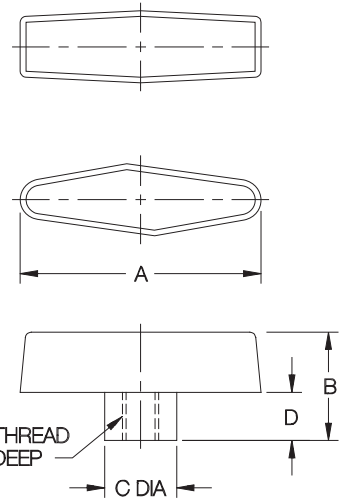


- 1/4-20 CL-432-TK
- 5/16-18 CL-442-TK
- 3/8-16 CL-452-TK
- M6 CLM-432-TK
- M8 CLM-442-TK



- 1/4-20 CL-232-TK
- M6 CLM-232-TK

T-Handle Knobs provide maximum leverage for heavy-duty clamping. Ideal for fastening fold-down handles and stands. Available in phenolic plastic (one knob size) for a shiny polished finish, or in thermoplastic (three knob sizes) for a textured non-slip, non-glare finish. Molded-in brass insert provides superior thread strength. Non-standard thread sizes, reamed holes, molded-in studs, or special colors (thermoplastic only) are available in quantities of 500 and above. Note: Catalog photos are actual size.



PHENOLIC — TAPPED (INCH & METRIC)

PART NO.	A	B	C DIA	D	E	F
CL-632-TK	2-1/2	2-1/2	2-1/2	2-1/2	1/4-20	5/8
CL-642-TK					5/16-18	
CL-652-TK					3/8-16	1/2
CL-654-TK					3/8-24	
CLM-642-TK					M8	
CLM-652-TK					M10	1/2

THERMOPLASTIC — TAPPED (INCH & METRIC)

PART NO.	A	B	C DIA	D	E	F
CL-232-TK	1	7/8	1/2	3/8	1/4-20	7/16
CLM-232-TK					M6	
CL-432-TK	2	1-1/8	3/4	1/2	1/4-20	5/8
CL-442-TK					5/16-18	
CL-452-TK					3/8-16	1/2
CLM-432-TK					M6	
CLM-442-TK					M8	
CL-6320-TK					2-1/2	1-1/4
CL-6420-TK	5/16-18					
CL-6520-TK	3/8-16	1/2				
CLM-6420-TK	M8					
CLM-6520-TK	M10					

BAR-HANDLE SCREW CLAMPS

STEEL: 12L14 STEEL BODY, CARBURIZED HARDENED, BLACK OXIDE FINISH. 12L14 STEEL HANDLE, BLACK OXIDE FINISH. 300-SERIES STAINLESS STEEL SPRING. STAINLESS: 300-SERIES STAINLESS STEEL.



Screw clamp with a sliding bar handle for excellent leverage. The bar can be moved to any position, for convenient tightening, and is held in place by light spring force. These screw clamps accept all standard feet for swivel screws (**INFO+**: see page 107 for foot dimensions and specifications). Type A and B feet are also available in Delrin®, by adding "N" to the part number (examples: CL-620-BHSAN, CL-620-BHSA-SN). Available in screw sizes from 5/16-18 to 5/8-11 (M8 to M16 in metric), each in several lengths.

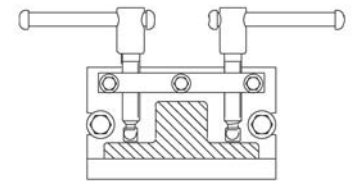
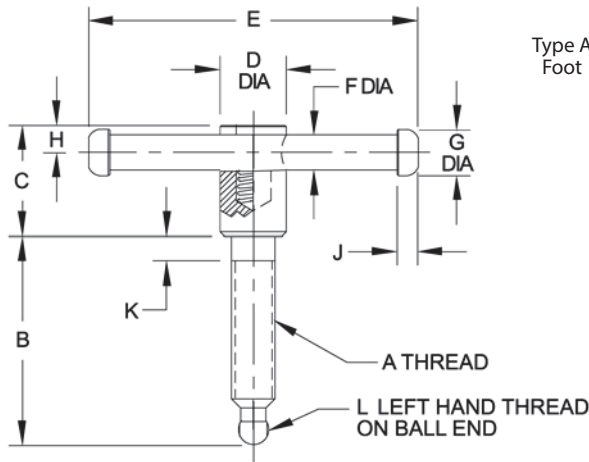


Type A Foot

Type B Foot

Type D Foot

Type E Foot



Sliding bar can be moved to any position for convenient tightening, such as when two clamps are close to each other.

GENERAL DIMENSIONS

A THREAD SIZE	C	D DIA	E	F DIA	G DIA	H	J	K	L
5/16-18 or M8	1-1/8	5/8	2-3/8	1/4	3/8	1/4	1/4	5/16	#12-28 LH
3/8-16 or M10	1-1/4	3/4	3-1/8	5/16	7/16	9/32	9/32	3/8	1/4-28 LH
1/2-13 or M12	1-3/8	13/16	3-15/16	3/8	1/2	11/32	11/32	3/8	5/16-24 LH
5/8-11 or M16	1-5/8	1	4-3/4	1/2	5/8	13/32	13/32	3/8	7/16-20 LH

STEEL (INCH)

A THREAD SIZE	B LENGTH	PART NO. WITHOUT FOOT	PART NO. WITH TYPE A SMALL FOOT	PART NO. WITH TYPE B LARGE FOOT	PART NO. WITH TYPE C VEE FOOT	PART NO. WITH TYPE D BALL FOOT	PART NO. WITH TYPE E EXTRA-LARGE FOOT
5/16-18	2	CL-520-BHS	CL-520-BHSA	CL-520-BHSB	CL-520-BHSC	CL-520-BHSD	—
	3	CL-530-BHS	CL-530-BHSA	CL-530-BHSB	CL-530-BHSC	CL-530-BHSD	—
3/8-16	2	CL-620-BHS	CL-620-BHSA	CL-620-BHSB	CL-620-BHSC	CL-620-BHSD	—
	3	CL-630-BHS	CL-630-BHSA	CL-630-BHSB	CL-630-BHSC	CL-630-BHSD	—
	4	CL-640-BHS	CL-640-BHSA	CL-640-BHSB	CL-640-BHSC	CL-640-BHSD	—
1/2-13	2	CL-820-BHS	CL-820-BHSA	CL-820-BHSB	CL-820-BHSC	CL-820-BHSD	CL-820-BHSE
	3	CL-830-BHS	CL-830-BHSA	CL-830-BHSB	CL-830-BHSC	CL-830-BHSD	CL-830-BHSE
	4	CL-840-BHS	CL-840-BHSA	CL-840-BHSB	CL-840-BHSC	CL-840-BHSD	CL-840-BHSE
5/8-11	3	CL-1030-BHS	CL-1030-BHSA	CL-1030-BHSB	CL-1030-BHSC	CL-1030-BHSD	CL-1030-BHSE
	4	CL-1040-BHS	CL-1040-BHSA	CL-1040-BHSB	CL-1040-BHSC	CL-1040-BHSD	CL-1040-BHSE

More items on next page.

BAR-HANDLE SCREW CLAMPS

Continued from prior page.

STAINLESS STEEL (INCH)

5/16-18	2	CL-520-BHS	CL-520-BHSA	CL-520-BHSB	—	—	—
	3	CL-530-BHS	CL-530-BHSA	CL-530-BHSB	—	—	—
3/8-16	2	CL-620-BHS	CL-620-BHSA	CL-620-BHSB	—	—	—
	3	CL-630-BHS	CL-630-BHSA	CL-630-BHSB	—	—	—
	4	CL-640-BHS	CL-640-BHSA	CL-640-BHSB	—	—	—
1/2-13	2	CL-820-BHS	CL-820-BHSA	CL-820-BHSB	—	—	—
	3	CL-830-BHS	CL-830-BHSA	CL-830-BHSB	—	—	—
	4	CL-840-BHS	CL-840-BHSA	CL-840-BHSB	—	—	—
5/8-11	3	CL-1030-BHS	CL-1030-BHSA	CL-1030-BHSB	—	—	—
	4	CL-1040-BHS	CL-1040-BHSA	CL-1040-BHSB	—	—	—

STEEL (METRIC)

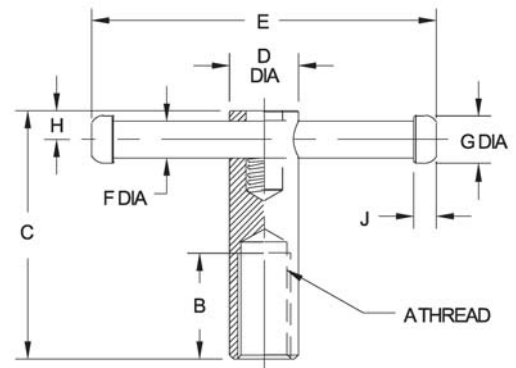
M8	1.97 (50mm)	CLM-850-BHS	CLM-850-BHSA	CLM-850-BHSB	CLM-850-BHSC	CLM-850-BHSD	—
	2.95 (75mm)	CLM-875-BHS	CLM-875-BHSA	CLM-875-BHSB	CLM-875-BHSC	CLM-875-BHSD	—
M10	1.97 (50mm)	CLM-1050-BHS	CLM-1050-BHSA	CLM-1050-BHSB	CLM-1050-BHSC	CLM-1050-BHSD	—
	3.94 (100mm)	CLM-10100-BHS	CLM-10100-BHSA	CLM-10100-BHSB	CLM-10100-BHSC	CLM-10100-BHSD	—
M12	1.97 (50mm)	CLM-1250-BHS	CLM-1250-BHSA	CLM-1250-BHSB	CLM-1250-BHSC	CLM-1250-BHSD	CLM-1250-BHSE
	3.94 (100mm)	CLM-12100-BHS	CLM-12100-BHSA	CLM-12100-BHSB	CLM-12100-BHSC	CLM-12100-BHSD	CLM-12100-BHSE
M16	2.76 (70mm)	CLM-1670-BHS	CLM-1670-BHSA	CLM-1670-BHSB	CLM-1670-BHSC	CLM-1670-BHSD	CLM-1670-BHSE
	4.33 (110mm)	CLM-16110-BHS	CLM-16110-BHSA	CLM-16110-BHSB	CLM-16110-BHSC	CLM-16110-BHSD	CLM-16110-BHSE

BAR-HANDLE NUTS

STEEL: 12L14 STEEL BODY, CARBURIZED HARDENED, BLACK OXIDE FINISH. 12L14 STEEL HANDLE, BLACK OXIDE FINISH. 300-SERIES STAINLESS STEEL SPRING. STAINLESS: 300-SERIES STAINLESS STEEL.



Extension nut with a sliding bar handle for excellent leverage. The bar can be moved to any position, for convenient tightening, and is held in place by light spring force. Available in thread sizes from 3/8-16 to 5/8-11 (M10 to M16 in metric).



STEEL (INCH)

PART NO.	A	B	C	D DIA	E	F DIA	G DIA	H	J
CL-6-BHN	3/8-16	7/8	2-3/8	3/4	3-1/8	5/16	7/16	9/32	9/32
CL-8-BHN	1/2-13	1-1/8	2-3/4	13/16	3-15/16	3/8	1/2	11/32	5/16
CL-10-BHN	5/8-11	1-3/8	3-3/8	1	4-3/4	1/2	5/8	13/32	3/8

STAINLESS STEEL (INCH)

CL-6-BHN-S	3/8-16	7/8	2-3/8	3/4	3-1/8	5/16	7/16	9/32	9/32
CL-8-BHN-S	1/2-13	1-1/8	2-3/4	13/16	3-15/16	3/8	1/2	11/32	5/16
CL-10-BHN-S	5/8-11	1-3/8	3-3/8	1	4-3/4	1/2	5/8	13/32	3/8

STEEL (METRIC)

CLM-10-BHN	M10	.79	2.36	3/4	3-1/8	5/16	7/16	9/32	9/32
CLM-12-BHN	M12	.98	2.76	13/16	3-15/16	3/8	1/2	11/32	5/16
CLM-16-BHN	M16	1.38	3.35	1	4-3/4	1/2	5/8	13/32	3/8

BAR-LOK QUICK-ACTING SCREW CLAMPS

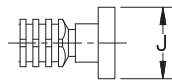
12L14 STEEL, CARBURIZED-HARDENED, ZINC PLATED YELLOW CHROMATE
 KNOB HANDLE: 319 ALUMINUM ALLOY

3

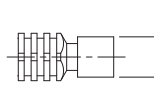


Knob Handle

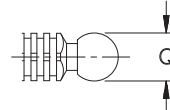
Definitely the best quick-acting screw clamp available anywhere! This patented sliding-bar design works smoothly and positively – just slide the bar forward, then twist to apply force. As strong as a standard screw clamp, but much faster. Choose either a comfortable knob handle or a sliding handle for extra leverage. Available in 3/8", 1/2", and 5/8" bar sizes, each in a choice of several lengths and foot styles. Ball and foot are threaded to allow easy installation and removal, a lefthand thread to positively prevent backout when turning the screw counterclockwise. Once the threads clear during installation, the foot rotates and pivots freely (20° included angle).



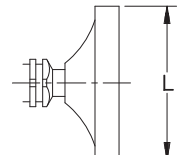
With standard foot:
 CL-14-BLK
 CL-14-BLKN (Delrin®)



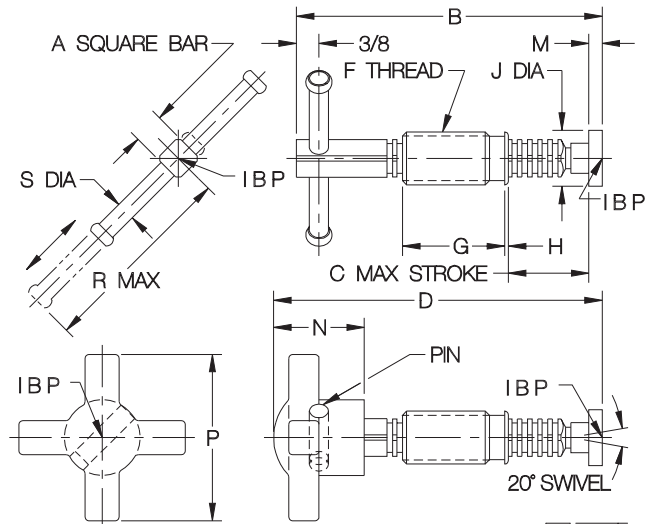
With small foot, add A:
 CL-14-BLKA
 CL-14-BLKAN (Delrin®)



With ball foot, add -D:
 CL-14-BLKD



With large foot, add E:
 CL-14-BLKE



SLIDING HANDLE (INCH)

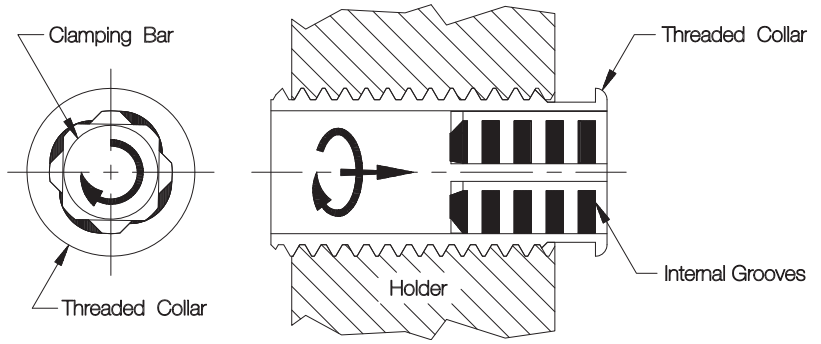
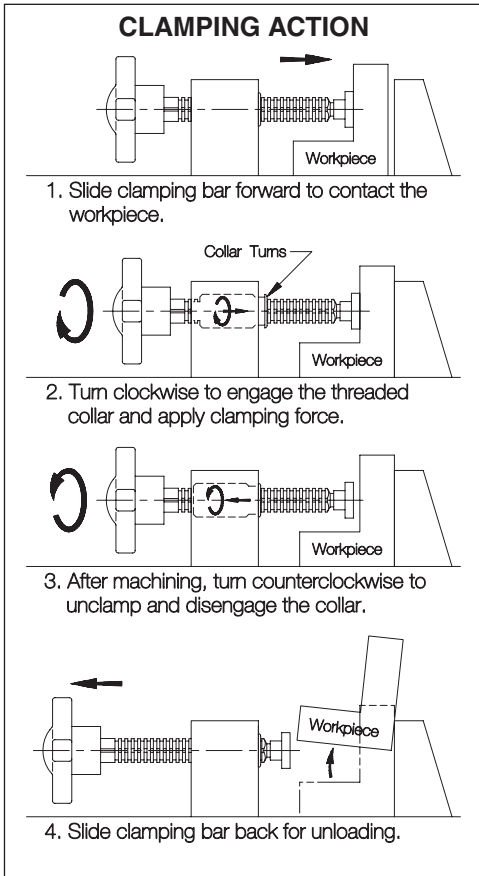
PART NO.	A	B	C	D	F THREAD	G	H	J DIA	K DIA	L DIA	M	N	P	Q	R	S DIA	OLD BAR-LOK NUMBER
CL-14-BLT	3/8	4	1-9/16		3/4-10	1-3/8	1/8	.750	.390	1.50	.187			.500	2-15/16	1/4	S-204-T
CL-15-BLT		5	2-9/16														S-205-T
CL-16-BLT		6	3-9/16														S-206-T
CL-25-BLT	1/2	5	2-3/16		7/8-9	1-11/16	1/16	.930	.500	2.00	.218			.625	3-5/16	5/16	M-205-T
CL-26-BLT		6	3-3/16														M-206-T
CL-28-BLT		8	5-3/16														M-208-T
CL-210-BLT	5/8	10	7-3/16		1-1/8-7	1-11/16	1/16	.930	.500	2.00	.218			.625	3-1/4	5/16	M-210-T
CL-212-BLT		12	9-3/16														M-212-T
CL-35-BLT		5	2-3/16														H-205-T
CL-36-BLT	5/8	6	3-3/16		1-1/8-7	1-11/16	1/16	.930	.500	2.00	.218			.625	3-1/4	5/16	H-206-T
CL-38-BLT		8	5-3/16														H-208-T
CL-310-BLT		10	7-3/16														H-210-T
CL-312-BLT		12	9-3/16														H-212-T

KNOB HANDLE (INCH)

CL-14-BLK	3/8		1-5/16	4-11/16	3/4-10	1-3/8	1/8	3/4	.390	1.50	.187	1-7/16	2-1/8	.500			
CL-15-BLK			2-5/16	5-11/16													
CL-16-BLK			3-5/16	6-11/16													
CL-25-BLK	1/2		1-5/8	5-3/8	7/8-9	1-11/16	1/16	15/16	.500	2.00	.218	1-1/2	2-3/4	.625			
CL-26-BLK			2-5/8	6-3/8													
CL-28-BLK			4-5/8	8-3/8													
CL-210-BLK	5/8		6-5/8	10-3/8	1-1/8-7	1-11/16	1/16	15/16	.500	2.00	.218	1-1/2	2-3/4	.625			
CL-212-BLK			8-5/8	12-3/8													
CL-35-BLK			1-5/8	5-3/8													
CL-36-BLK	5/8		2-5/8	6-3/8	1-1/8-7	1-11/16	1/16	15/16	.500	2.00	.218	1-1/2	2-3/4	.625			
CL-38-BLK			4-5/8	8-3/8													
CL-310-BLK			6-5/8	10-3/8													
CL-312-BLK			8-5/8	12-3/8													

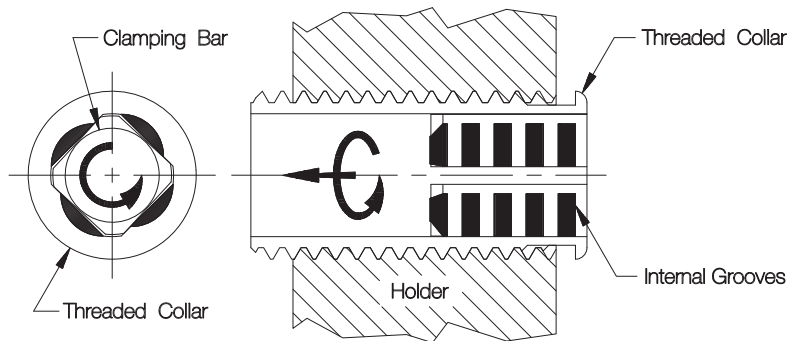
BAR-LOK QUICK-ACTING SCREW CLAMPS

12L14 STEEL, CARBURIZED-HARDENED, ZINC PLATED YELLOW CHROMATE
 KNOB HANDLE: 319 ALUMINUM ALLOY



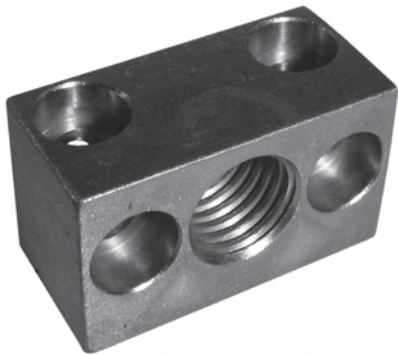
Clockwise

Turning the clamping bar clockwise engages internal grooves in the threaded collar. Both components then turn together as a single unit to apply screw force.

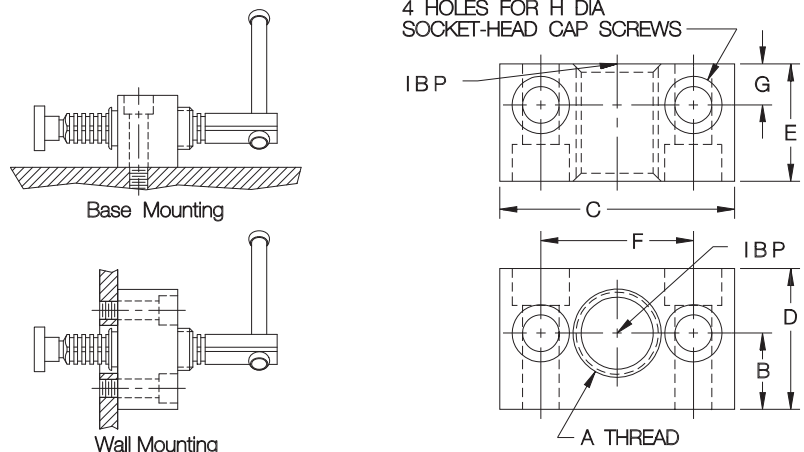


Counterclockwise

Turning the clamping bar counterclockwise loosens the screw clamp and disengages the collar, allowing the bar to slide back and forth.



Mounting Block



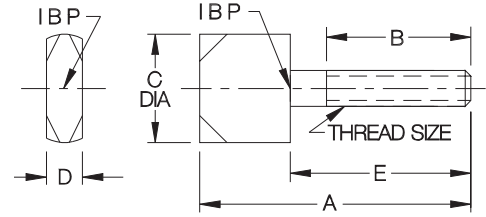
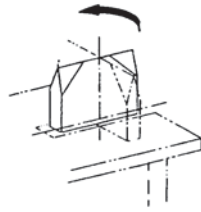
MOUNTING BLOCKS

PART NO.	A THREAD	B	C	D	E	F	G	H DIA
CL-1-BLM	3/4-10	13/16	2-1/8	1-3/8	1-1/4	1-3/8	7/16	5/16 OR M8
CL-2-BLM	7/8-9		2-1/2	1-1/2		1-5/8		3/8 OR M10
CL-3-BLM	1-1/8-7	1	3-1/8	1-3/4	1-1/2	2-1/8	1/2	1/2 OR M12

Versatile mounting base made especially for Bar-Lok screw clamps. Attach with two Socket-Head Cap Screws. Two sets of mounting holes allow either base mounting or through-hole wall mounting.

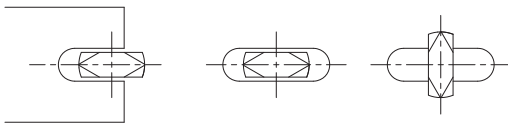
QUARTER-TURN SCREWS

12L14 STEEL, CARBURIZED-HARDENED, BLACK OXIDE FINISH



3

Rotate screw 90 degrees (1/4 turn) to latch. Ideal for swing-away lids and jig plates. Beveled edges allow easy insertion into a slot. Also available soft (not carburized-hardened) for customizing as desired.



Use quarter-turn screws in either open or closed slots.

INCH

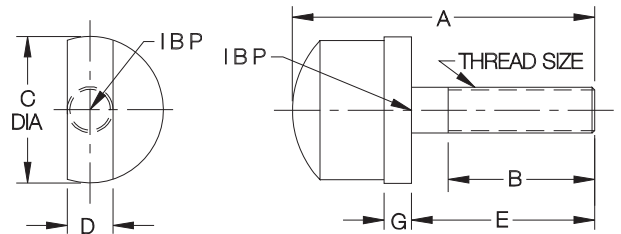
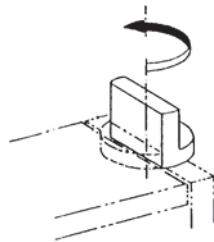
PART NO. HARDENED	PART NO. SOFT	THREAD SIZE	A	B	C DIA	D	E
CL-1-QTS	CL-10-QTS	#10-24			5/8		
CL-2-QTS	CL-20-QTS	#10-32	1-1/2	7/8	1/2	3/16	1
CL-3-QTS	CL-30-QTS	1/4-20	1-7/8	1	3/4	1/4	1-1/4
CL-4-QTS	CL-40-QTS	5/16-18	2-1/4		1	5/16	
CL-5-QTS	CL-50-QTS	3/8-16	2-1/2	1-1/4		3/8	1-1/2
CL-6-QTS	CL-60-QTS	1/2-13	2-3/4	1-1/2	1-1/4	1/2	1-3/4

METRIC

CLM-5-QTS	—	M5	1.57	.79	.63	.20	.98
CLM-6-QTS	—	M6	1.97	.98	.75	.24	1.18
CLM-8-QTS	—	M8	2.36	1.38	1.00	.31	1.57
CLM-10-QTS	—	M10	2.56		1.00	.39	
CLM-12-QTS	—	M12	2.76	1.57	1.26	.47	1.77

HALF-TURN SCREWS

12L14 STEEL, CARBURIZED-HARDENED, BLACK OXIDE FINISH



INCH

PART NO. HARDENED	THREAD SIZE	A	B	C DIA	D	E	G
CL-1-HTS	#10-32	1-11/16	7/8	3/4	3/16	1	3/16
CL-2-HTS	1/4-20	2	1	3/4	1/4	1-1/4	
CL-3-HTS	5/16-18	2-1/16		1	5/16		
CL-4-HTS	3/8-16	2-11/16	1-1/2	1-1/16	3/8	1-3/4	1/4
CL-5-HTS	1/2-13	2-3/4		1-1/4	1/2		

METRIC

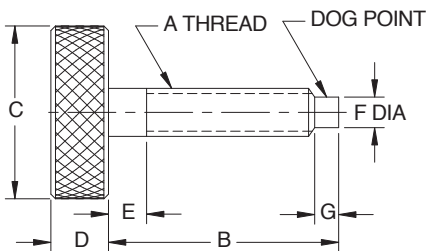
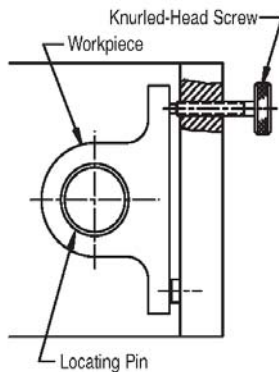
CLM-5-HTS	M5	1.69	.87	.75	.20	.98	
CLM-6-HTS	M6	1.93	.94	.75	.24	1.18	.20
CLM-8-HTS	M8	1.97		1.00	.31		
CLM-10-HTS	M10	2.72	1.54	1.06	.39	1.77	.24

KNURLED HEAD SCREWS

STEEL: 12L14, CARBURIZED-HARDENED, BLACK OXIDE FINISH.
STAINLESS STEEL: 300-SERIES, PASSIVATED



Handy thumb screw. Knurled head provides a positive grip for finger tightening in light clamping applications.



STEEL (INCH)

PART NO.	A	B	C DIA	D	E	F DIA	G
CL-1-KHS	#10-24	1	3/4	1/4	1/4	.12	.09
CL-2-KHS		1-1/2					
CL-3-KHS		2					
CL-1A-KHS	#10-32	1	3/4	1/4	1/4	.12	.09
CL-2A-KHS		1-1/2					
CL-3A-KHS		2					
CL-4-KHS	1/4-20	1-1/2	1	5/16	1/4	.15	.12
CL-5-KHS		2					
CL-6-KHS		2-1/2					
CL-7-KHS	5/16-18	1-1/2	1-1/8	3/8	1/4	.20	.16
CL-8-KHS		2					
CL-9-KHS		2-1/2					
CL-10-KHS	3/8-16	2	1-1/4	7/16	1/4	.25	.19
CL-11-KHS		2-1/2					
CL-12-KHS		3					
CL-13-KHS	1/2-13	3	1-1/4	1/2	1/4	.34	.25
CL-14-KHS		3-1/2					

STAINLESS STEEL (INCH)

PART NO.	A	B	C DIA	D	E	F DIA	G
CL-23207	#10-32	3/4	1/2	3/16	1/8	.12	.09
CL-23210		1					
CL-23212		1-1/4					
CL-23215		1-1/2					
CL-23507	1/4-20	3/4	1	5/16	1/8	.15	.12
CL-23510		1					
CL-23512		1-1/4					
CL-23515		1-1/2					
CL-23520	5/16-18	2	1-1/8	3/8	3/16	.20	.16
CL-23615		1-1/2					
CL-23620		2					
CL-23625	3/8-16	2-1/2	1-1/4	7/16	3/16	.25	.19
CL-23820		2					
CL-23825		2-1/2					
CL-23830	3/8-16	3	1-1/4	7/16	3/16	.25	.19
CL-23830		3					

STEEL (METRIC)

PART NO.	A	B	C DIA	D	E	F DIA	G
CLM-1-KHS	M5	.98	3/4	1/4	1/4	.13	.11
CLM-2-KHS		1.57					
CLM-3-KHS		1.97					
CLM-4-KHS	M6	1.57	1	5/16	1/4	.17	.13
CLM-5-KHS		1.97					
CLM-6-KHS		2.56					
CLM-7-KHS	M8	1.57	1-1/8	3/8	1/4	.23	.18
CLM-8-KHS		1.97					
CLM-9-KHS		2.56					
CLM-10-KHS	M10	1.97	1-1/4	7/16	1/4	.27	.19
CLM-11-KHS		2.56					
CLM-12-KHS		2.95					
CLM-13-KHS	M12	2.95	1-1/4	1/2	1/4	.35	.25
CLM-14-KHS		3.54					

BODIES FOR SWIVEL SCREWS

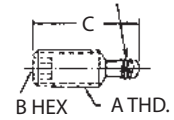
STEEL: 12L14 OR 1144, HEAT TREATED, ZINC PLATED YELLOW CHROMATE OR BLACK OXIDE FINISH
 STAINLESS STEEL: 300-SERIES



Socket Head

Swivel-screw bodies that accept any of the feet shown on the opposite page. Socket-head version allows applying strong clamping force using a hex wrench. Patented.

D LEFT HAND THD.

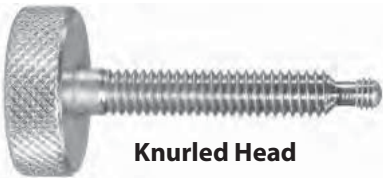


SOCKET HEAD (INCH)

PART NO. STEEL ZINC PLATED	PART NO. STEEL BLACK OXIDE	PART NO. STAINLESS STEEL	A	B	C	D
CL-1-BSS	CL-1-BSS-BO	—	1/4-20	1/8	15/32	#8-36 L.H.
CL-2-BSS	CL-2-BSS-BO	CL-2-BSS-S			23/32	
CL-3-BSS	CL-3-BSS-BO	CL-3-BSS-S			31/32	
CL-4-BSS	CL-4-BSS-BO	CL-4-BSS-S			1-15/32	
CL-5-BSS	CL-5-BSS-BO	—	5/16-18	5/32	23/32	#12-28 L.H.
CL-6-BSS	CL-6-BSS-BO	CL-6-BSS-S			31/32	
CL-7-BSS	CL-7-BSS-BO	CL-7-BSS-S			1-15/32	
CL-8-BSS	CL-8-BSS-BO	CL-8-BSS-S			1-31/32	
CL-9-BSS	CL-9-BSS-BO	—	3/8-16	3/16	11/16	1/4-28 L.H.
CL-10-BSS	CL-10-BSS-BO	—			15/16	
CL-11-BSS	CL-11-BSS-BO	CL-11-BSS-S			1-7/16	
CL-12-BSS	CL-12-BSS-BO	CL-12-BSS-S			1-15/16	
CL-13-BSS	CL-13-BSS-BO	CL-13-BSS-S	2-15/16	1/2-13	1/4	5/16-24 L.H.
CL-15-BSS	CL-15-BSS-BO	—	1-7/16			
CL-16-BSS	CL-16-BSS-BO	CL-16-BSS-S	1-15/16			
CL-17-BSS	CL-17-BSS-BO	CL-17-BSS-S	2-15/16			
CL-18-BSS	CL-18-BSS-BO	CL-18-BSS-S	3-15/16	5/8-11	5/16	7/16-20 L.H.
CL-20-BSS	CL-20-BSS-BO	—	1-15/16			
CL-21-BSS	CL-21-BSS-BO	—	2-15/16			
CL-22-BSS	CL-22-BSS-BO	—	3-15/16			
CL-23-BSS	CL-23-BSS-BO	—	4-15/16			

SOCKET HEAD (METRIC)

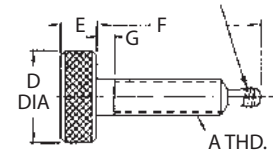
PART NO. STEEL BLACK OXIDE	A	B	C	D
CLM-1-BSS-BO	M6	3mm	.56	#8-36 L.H.
CLM-2-BSS-BO			.76	
CLM-3-BSS-BO			.95	
CLM-4-BSS-BO			1.54	
CLM-5-BSS-BO	M8	4mm	.74	#12-28 L.H.
CLM-6-BSS-BO			.94	
CLM-7-BSS-BO			1.53	
CLM-8-BSS-BO			1.92	
CLM-9-BSS-BO	M10	5mm	.73	1/4-28 L.H.
CLM-10-BSS-BO			.93	
CLM-11-BSS-BO			1.52	
CLM-12-BSS-BO			1.92	
CLM-13-BSS-BO	2.90	M12	6mm	5/16-24 L.H.
CLM-15-BSS-BO	1.52			
CLM-16-BSS-BO	1.91			
CLM-17-BSS-BO	2.89			
CLM-18-BSS-BO	3.88	M16	8mm	7/16-20 L.H.
CLM-20-BSS-BO	1.89			
CLM-21-BSS-BO	2.87			
CLM-22-BSS-BO	3.86			
CLM-23-BSS-BO	4.85			



Knurled Head

Similar to the above screws, except with a knurled head for finger tightening.

H LEFT HAND THD.



KNURLED HEAD (INCH)

PART NO. STEEL ZINC PLATED	PART NO. STEEL BLACK OXIDE	PART NO. STAINLESS STEEL	A	D DIA	E	F	G	H
CL-24-BSS	CL-24-BSS-BO	CL-24-BSS-S	1/4-20	1	5/16	31/32	1/8	#8-36 L.H.
CL-25-BSS	CL-25-BSS-BO	CL-25-BSS-S				1-15/32		
CL-26-BSS	CL-26-BSS-BO	CL-26-BSS-S				1-31/32		
CL-27-BSS	CL-27-BSS-BO	CL-27-BSS-S				2-31/32		
CL-28-BSS	CL-28-BSS-BO	—	5/16-18	1-1/8	3/8	31/32	3/16	#12-28 L.H.
CL-29-BSS	CL-29-BSS-BO	CL-29-BSS-S				1-15/32		
CL-30-BSS	CL-30-BSS-BO	CL-30-BSS-S				1-31/32		
CL-31-BSS	CL-31-BSS-BO	CL-31-BSS-S				2-31/32		
CL-33-BSS	CL-33-BSS-BO	—	3/8-16	1-1/4	7/16	1-7/16	3/16	1/4-28 L.H.
CL-34-BSS	CL-34-BSS-BO	CL-34-BSS-S				1-15/16		
CL-35-BSS	CL-35-BSS-BO	CL-35-BSS-S				2-15/16		
CL-36-BSS	CL-36-BSS-BO	CL-36-BSS-S				3-15/16		
CL-38-BSS	CL-38-BSS-BO	—	1/2-13	1-1/4	1/2	1-7/16	3/16	5/16-24 L.H.
CL-39-BSS	CL-39-BSS-BO	—				1-15/16		
CL-40-BSS	CL-40-BSS-BO	CL-40-BSS-S				2-15/16		
CL-41-BSS	CL-41-BSS-BO	CL-41-BSS-S				3-15/16		
CL-43-BSS	CL-43-BSS-BO	—	5/8-11	1-1/4	1/2	1-15/16	3/16	7/16-20 L.H.
CL-44-BSS	CL-44-BSS-BO	—				2-15/16		
CL-45-BSS	CL-45-BSS-BO	—				3-15/16		
CL-46-BSS	CL-46-BSS-BO	—				4-15/16		

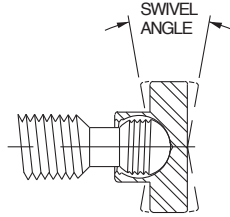
KNURLED HEAD (METRIC)

PART NO. STEEL BLACK OXIDE	A	D DIA	E	F	G	H
CLM-24-BSS-BO	M6	1	5/16	.95	1/8	#8-36 L.H.
CLM-25-BSS-BO				1.54		
CLM-26-BSS-BO				1.94		
CLM-27-BSS-BO				2.92		
CLM-28-BSS-BO	M8	1-1/8	3/8	.94	3/16	#12-28 L.H.
CLM-29-BSS-BO				1.53		
CLM-30-BSS-BO				1.92		
CLM-31-BSS-BO				2.91		
CLM-33-BSS-BO	M10	1-1/4	7/16	1.52	3/16	1/4-28 L.H.
CLM-34-BSS-BO				1.92		
CLM-35-BSS-BO				2.90		
CLM-36-BSS-BO				3.88		
CLM-38-BSS-BO	M12	1-1/4	1/2	1.52	3/16	5/16-24 L.H.
CLM-39-BSS-BO				1.91		
CLM-40-BSS-BO				2.89		
CLM-41-BSS-BO				3.88		
CLM-43-BSS-BO	M16	1-1/4	1/2	1.89	3/16	7/16-20 L.H.
CLM-44-BSS-BO				2.88		
CLM-45-BSS-BO				3.86		
CLM-46-BSS-BO				4.85		

FEET FOR SWIVEL SCREWS

STEEL: (TYPES A, B, D, E), 12L14 STEEL, ZINC PLATED YELLOW CHROMATE (BLACK OXIDE OPTIONAL)
 STEEL (TYPE C): 1018 STEEL, CARBURIZED HARDENED, ZINC PLATED YELLOW CHROMATE (BLACK OXIDE OPTIONAL)
 STAINLESS: 300-SERIES STAINLESS STEEL
 DELRIN : WHITE DELRIN 500

Matching feet for the swivel-screw bodies on the opposite page. Types A, B, and D can be used with any body-thread size. Type E can be used with the largest two sizes.

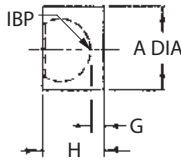


Ball and foot are threaded to allow easy installation and removal, a lefthand thread to positively prevent backout when turning the screw counterclockwise. Once the threads clear during installation, the foot rotates and pivots freely (20° included angle). Note: Delrin feet are not threaded — they snap on and off.

3



**Type A
Small Foot**

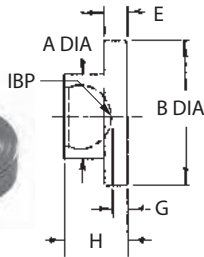


TYPE A — SMALL FOOT

PART NO. STEEL ZINC PLATED	PART NO. STEEL BLACK OXIDE	PART NO. STAINLESS STEEL	PART NO. DELRIN®	FITS BODY THREAD SIZE	A DIA	G	H
CL-1A-FSS	CL-1A-FSS-BO	CL-1A-FSS-S	CL-1A-FSSN	1/4-20 and M6	.187	.031	.200
CL-2A-FSS	CL-2A-FSS-BO	CL-2A-FSS-S	CL-2A-FSSN	5/16-18 and M8	.250	.046	.255
CL-3A-FSS	CL-3A-FSS-BO	CL-3A-FSS-S	CL-3A-FSSN	3/8-16 and M10	.298	.053	.315
CL-4A-FSS	CL-4A-FSS-BO	CL-4A-FSS-S	CL-4A-FSSN	1/2-13 and M12	.390	.058	.359
CL-5A-FSS	CL-5A-FSS-BO	CL-5A-FSS-S	CL-5A-FSSN	5/8-11 and M16	.500	.076	.470



**Type B
Large Foot**

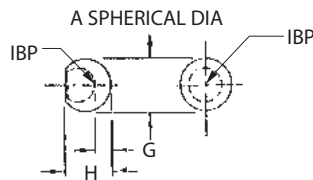


TYPE B — LARGE FOOT

PART NO. STEEL ZINC PLATED	PART NO. STEEL BLACK OXIDE	PART NO. STAINLESS STEEL	PART NO. DELRIN®	FITS BODY THREAD SIZE	A DIA	B DIA	E	G	H
CL-1B-FSS	CL-1B-FSS-BO	CL-1B-FSS-S	CL-1B-FSSN	1/4-20 and M6	.187	.375	.125	.131	.300
CL-2B-FSS	CL-2B-FSS-BO	CL-2B-FSS-S	CL-2B-FSSN	5/16-18 and M8	.250	.500	.156	.141	.350
CL-3B-FSS	CL-3B-FSS-BO	CL-3B-FSS-S	CL-3B-FSSN	3/8-16 and M10	.298	.562	.187	.177	.437
CL-4B-FSS	CL-4B-FSS-BO	CL-4B-FSS-S	CL-4B-FSSN	1/2-13 and M12	.390	.750	.187	.119	.420
CL-5B-FSS	CL-5B-FSS-BO	CL-5B-FSS-S	CL-5B-FSSN	5/8-11 and M16	.500	.930	.218	.121	.515



**Type D
Ball Foot**

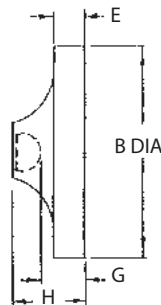


TYPE D — BALL FOOT

PART NO. STEEL ZINC PLATED	PART NO. STEEL BLACK OXIDE	FITS BODY THREAD SIZE	A DIA	G	H
CL-1D-FSS	CL-1D-FSS-BO	1/4-20 and M6	.250	.051	.220
CL-2D-FSS	CL-2D-FSS-BO	5/16-18 and M8	.312	.071	.280
CL-3D-FSS	CL-3D-FSS-BO	3/8-16 and M10	.375	.064	.325
CL-4D-FSS	CL-4D-FSS-BO	1/2-13 and M12	.500	.144	.443
CL-5D-FSS	CL-5D-FSS-BO	5/8-11 and M16	.620	.137	.531



**Type E
Extra-Large Foot**



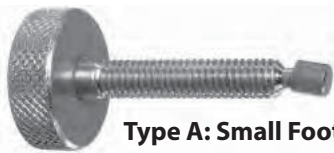
TYPE E — EXTRA-LARGE FOOT

PART NO. STEEL ZINC PLATED	PART NO. STEEL BLACK OXIDE	FITS BODY THREAD SIZE	B DIA	E	G	H
CL-4E-FSS	CL-4E-FSS-BO	1/2-13 and M12	1.50	1/4	.26	.56
CL-5E-FSS	CL-5E-FSS-BO	5/8-11 and M16	2.00	5/16	.31	.70

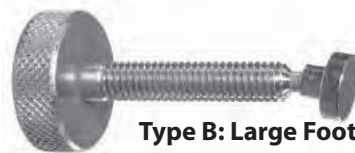
SWIVEL HEAD SCREWS

BODY: 12L14 STEEL, CARBURIZED-HARDENED, ZINC PLATED YELLOW CHROMATE (OR 300-SERIES STAINLESS STEEL)
 FOOT: 12L14 STEEL, ZINC PLATED YELLOW CHROMATE (OR 300-SERIES STAINLESS STEEL, OR DELRIN)

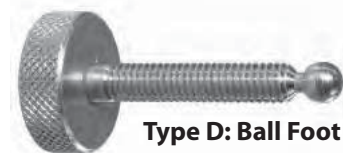
INFO+: Knurled-head swivel-screw assemblies that combine the bodies on page 106 with the feet on page 107. The steel version is optionally available with a black oxide finish by adding "-BO" to the part number (example: CL-1-SHS-BO). Type A and B feet are optionally available in Delrin[®] by adding "N" to the part number (examples: CL-1-SHSN, CL-1-SHS-BON, CL-1-SHS-SN).



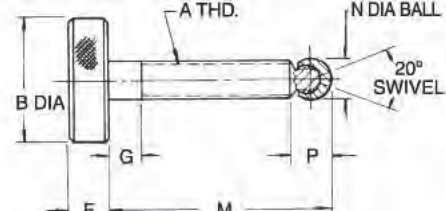
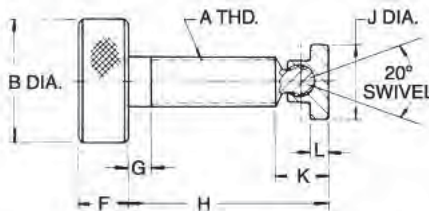
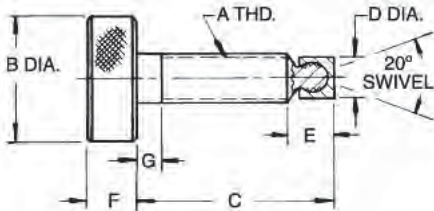
Type A: Small Foot



Type B: Large Foot



Type D: Ball Foot



INCH

TYPE A STEEL PART NO.*	TYPE A STAINLESS PART NO.	TYPE B STEEL PART NO.*	TYPE B STAINLESS PART NO.	TYPE D STEEL PART NO.*	A	B DIA	C	D DIA	E	F	G	H	J DIA	K	L	M	N	P
CL-1-SHS	CL-1-SHS-S	CL-17-SHS	CL-17-SHS-S	CL-47-SHS	1/4-20	1	1	3/16	9/32	5/16	1/8	1-3/32	3/8	23/64	1/8	1-1/32	1/4	5/16
CL-2-SHS	CL-2-SHS-S	CL-18-SHS	CL-18-SHS-S	CL-48-SHS			1-1/2					1-17/32						
CL-3-SHS	CL-3-SHS-S	CL-19-SHS	CL-19-SHS-S	CL-49-SHS			2					2-1/32						
CL-33-SHS	CL-33-SHS-S	CL-40-SHS	CL-40-SHS-S	CL-50-SHS			3					3-3/32						
CL-4-SHS	—	CL-20-SHS	—	CL-51-SHS	5/16-18	1-1/8	1	1/4	11/32	3/8	3/16	1-3/32	1/2	27/64	5/32	1-1/64	5/16	23/64
CL-5-SHS	CL-5-SHS-S	CL-21-SHS	CL-21-SHS-S	CL-52-SHS			1-1/2					1-33/64						
CL-6-SHS	CL-6-SHS-S	CL-22-SHS	CL-22-SHS-S	CL-53-SHS			2					2-1/64						
CL-34-SHS	CL-34-SHS-S	CL-41-SHS	CL-41-SHS-S	CL-54-SHS			3					3-1/64						
CL-8-SHS	—	CL-24-SHS	—	CL-56-SHS	3/8-16	1-1/4	1-1/2	19/64	3/8	7/16	3/16	1-5/8	9/16	5/8	3/16	1-9/16	3/8	7/16
CL-9-SHS	CL-9-SHS-S	CL-25-SHS	CL-25-SHS-S	CL-57-SHS			2					2-1/8						
CL-35-SHS	CL-35-SHS-S	CL-42-SHS	CL-42-SHS-S	CL-58-SHS			3					3-1/8						
CL-36-SHS	CL-36-SHS-S	CL-43-SHS	CL-43-SHS-S	CL-59-SHS			4					4-1/8						
CL-11-SHS	—	CL-27-SHS	—	CL-61-SHS	1/2-13	1-1/4	1-1/2	13/32	15/32	1/2	3/16	1-9/16	3/4	17/32	3/16	1-19/32	1/2	9/16
CL-12-SHS	—	CL-28-SHS	—	CL-62-SHS			2					2-1/16						
CL-13-SHS	CL-13-SHS-S	CL-29-SHS	CL-29-SHS-S	CL-63-SHS			3					3-1/16						
CL-37-SHS	CL-37-SHS-S	CL-44-SHS	CL-44-SHS-S	CL-64-SHS			4					4-1/16						
CL-15-SHS	—	CL-31-SHS	—	CL-66-SHS	5/8-11	1-1/4	2	1/2	5/8	1/2	3/16	2-3/64	15/16	21/32	7/32	2-1/8	5/8	11/16
CL-16-SHS	—	CL-32-SHS	—	CL-67-SHS			3					3-3/64						
CL-38-SHS	—	CL-45-SHS	—	CL-68-SHS			4					4-3/64						
CL-39-SHS	—	CL-46-SHS	—	CL-69-SHS			5					5-3/64						

METRIC

CLM-1-SHS-BO	—	CLM-17A-SHS-BO	—	CLM-47-SHS-BO	M6	1	.98	3/16	9/32	5/16	1/8	1.08	3/8	23/64	1/8	1.03	1/4	5/16
CLM-2-SHS-BO	—	CLM-18A-SHS-BO	—	CLM-48-SHS-BO			1.57					1.67						
CLM-3-SHS-BO	—	CLM-19-SHS-BO	—	CLM-49-SHS-BO			1.97					2.07						
CLM-4-SHS-BO	—	CLM-40-SHS-BO	—	CLM-50-SHS-BO			2.95					3.05						
CLM-5-SHS-BO	—	CLM-20-SHS-BO	—	CLM-51-SHS-BO	M8	1-1/8	.98	1/4	11/32	3/8	3/16	1.08	1/2	27/64	5/32	1.05	5/16	23/64
CLM-6-SHS-BO	—	CLM-21-SHS-BO	—	CLM-52-SHS-BO			1.57					1.67						
CLM-7-SHS-BO	—	CLM-22-SHS-BO	—	CLM-53-SHS-BO			1.97					2.06						
CLM-8-SHS-BO	—	CLM-41-SHS-BO	—	CLM-54-SHS-BO			2.95					3.05						
CLM-9-SHS-BO	—	CLM-24-SHS-BO	—	CLM-56-SHS-BO	M10	1-1/4	1.57	19/64	3/8	7/16	3/16	1.70	9/16	5/8	3/16	1.61	3/8	7/16
CLM-10-SHS-BO	—	CLM-25-SHS-BO	—	CLM-57-SHS-BO			1.97					2.10						
CLM-11-SHS-BO	—	CLM-42-SHS-BO	—	CLM-58-SHS-BO			2.95					3.08						
CLM-12-SHS-BO	—	CLM-43-SHS-BO	—	CLM-59-SHS-BO			3.94					4.06						
CLM-11A-SHS-BO	—	CLM-27-SHS-BO	—	CLM-61-SHS-BO	M12	1-1/4	1.57	13/32	15/32	1/2	3/16	1.64	3/4	17/32	3/16	1.69	1/2	9/16
CLM-12A-SHS-BO	—	CLM-28-SHS-BO	—	CLM-62-SHS-BO			1.97					2.03						
CLM-13-SHS-BO	—	CLM-29-SHS-BO	—	CLM-63-SHS-BO			2.95					3.01						
CLM-14-SHS-BO	—	CLM-44-SHS-BO	—	CLM-64-SHS-BO			3.94					4.00						
CLM-15-SHS-BO	—	CLM-31-SHS-BO	—	CLM-66-SHS-BO	M16	1-1/4	1.97	1/2	5/8	1/2	3/16	2.01	15/16	21/32	7/32	2.06	5/8	11/16
CLM-16-SHS-BO	—	CLM-32-SHS-BO	—	CLM-67-SHS-BO			2.95					3.00						
CLM-17-SHS-BO	—	CLM-45-SHS-BO	—	CLM-68-SHS-BO			3.94					3.98						
CLM-18-SHS-BO	—	CLM-46-SHS-BO	—	CLM-69-SHS-BO			4.92					4.97						

* Inch sizes are available zinc plated or with black oxide finish. Metric sizes are available only with black oxide finish (-BO only).

SWIVEL SCREW CLAMPS

BODY: 12L14 OR 1144 STEEL, HEAT TREATED, ZINC PLATED YELLOW CHROMATE (OR 300-SERIES STAINLESS STEEL)
FOOT: 12L14 STEEL, ZINC PLATED YELLOW CHROMATE (OR 300-SERIES STAINLESS STEEL, OR DELRIN®)

INFO+: Socket-head swivel-screw assemblies that combine the bodies on page 106 with the feet on page 107. The steel version is optionally available with black oxide finish by adding "-BO" to the part number (example: CL-2-SSC-BO). Type A and B feet are optionally available in Delrin® by adding "N" to the part number (examples: CL-2-SSCN, CL-2-SSC-BON, CL-2-SSC-SN).



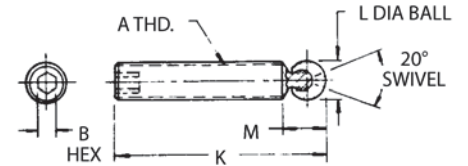
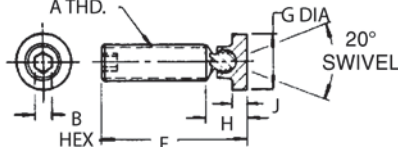
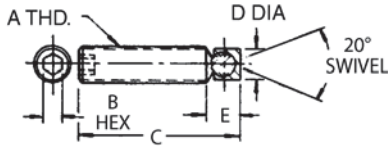
Type A: Small Foot



Type B: Large Foot



Type D: Ball Foot



INCH

TYPE A STEEL PART NO.*	TYPE A STAINLESS PART NO.	TYPE B STEEL PART NO.*	TYPE B STAINLESS PART NO.	TYPE D STEEL PART NO.*	A	B	C	D DIA	E	F	G DIA	H	J	K	L DIA	M
CL-1-SSC	—	CL-20-SSC	—	CL-47-SSC	1/4-20	1/8	1/2	3/16	9/32	19/32	3/8	23/64	1/8	.69	1/4	5/16
CL-2-SSC	CL-2-SSC-S	CL-21-SSC	CL-21-SSC-S	CL-48-SSC			3/4			27/32				.89		
CL-3-SSC	CL-3-SSC-S	CL-22-SSC	CL-22-SSC-S	CL-49-SSC			1			1-3/32				1.08		
CL-4-SSC	CL-4-SSC-S	CL-23-SSC	CL-23-SSC-S	CL-50-SSC			1-1/2			1-19/32				1.67		
CL-5-SSC	—	CL-24-SSC	—	CL-51-SSC			3/4			27/32				.88		
CL-6-SSC	CL-6-SSC-S	CL-25-SSC	CL-25-SSC-S	CL-52-SSC	5/16-18	5/32	1	1/4	11/32	1-3/32	1/2	27/64	5/32	1.08	5/16	23/64
CL-7-SSC	CL-7-SSC-S	CL-26-SSC	CL-26-SSC-S	CL-53-SSC			1-1/2			1-19/32				1.67		
CL-8-SSC	CL-8-SSC-S	CL-27-SSC	CL-27-SSC-S	CL-54-SSC			2			2-3/32				2.06		
CL-9-SSC	—	CL-28-SSC	—	CL-55-SSC			3/4			7/8				.91		
CL-10-SSC	—	CL-29-SSC	—	CL-56-SSC	1	1-1/8	1.11									
CL-11-SSC	CL-11-SSC-S	CL-30-SSC	CL-30-SSC-S	CL-57-SSC	3/8-16	3/16	1-1/2	19/64	3/8	1-5/8	9/16	5/8	3/16	1.70	3/8	7/16
CL-12-SSC	CL-12-SSC-S	CL-31-SSC	CL-31-SSC-S	CL-58-SSC			2			2-1/8				2.10		
CL-39-SSC	CL-39-SSC-S	CL-43-SSC	CL-43-SSC-S	CL-59-SSC			3			3-1/8				3.08		
CL-14-SSC	—	CL-33-SSC	—	CL-61-SSC	1/2-13	1/4	1-1/2	13/32	15/32	1-9/16	3/4	17/32	3/16	1.64	1/2	9/16
CL-15-SSC	CL-15-SSC-S	CL-34-SSC	CL-34-SSC-S	CL-62-SSC			2			2-1/16				2.03		
CL-16-SSC	CL-16-SSC-S	CL-35-SSC	CL-35-SSC-S	CL-63-SSC			3			3-1/16				3.01		
CL-40-SSC	CL-40-SSC-S	CL-44-SSC	CL-44-SSC-S	CL-64-SSC			4			4-1/16				4.00		
CL-18-SSC	—	CL-37-SSC	—	CL-66-SSC	5/8-11	5/16	2	1/2	5/8	2-3/64	15/16	21/32	7/32	2.01	5/8	11/16
CL-19-SSC	—	CL-38-SSC	—	CL-67-SSC			3			3-3/64				2.99		
CL-41-SSC	—	CL-45-SSC	—	CL-68-SSC			4			4-3/64				3.98		
CL-42-SSC	—	CL-46-SSC	—	CL-69-SSC			5			5-3/64				4.97		

METRIC

CLM-1-SSC-BO	—	CLM-20A-SSC-BO	—	CLM-47-SSC-BO	M6	3mm	.59	3/16	9/32	.69	3/8	23/64	1/8	.69	1/4	5/16
CLM-2-SSC-BO	—	CLM-21A-SSC-BO	—	CLM-48-SSC-BO			.79			.89				.89		
CLM-3-SSC-BO	—	CLM-22-SSC-BO	—	CLM-49-SSC-BO			.98			1.08				1.08		
CLM-4-SSC-BO	—	CLM-23-SSC-BO	—	CLM-50-SSC-BO			1.57			1.67				1.67		
CLM-5-SSC-BO	—	CLM-24-SSC-BO	—	CLM-51-SSC-BO			.79			.88				.88		
CLM-6-SSC-BO	—	CLM-25-SSC-BO	—	CLM-52-SSC-BO	.98	1.08	1.08									
CLM-7-SSC-BO	—	CLM-26-SSC-BO	—	CLM-53-SSC-BO	1.57	1.67	1.67									
CLM-8-SSC-BO	—	CLM-27-SSC-BO	—	CLM-54-SSC-BO	1.97	2.06	2.06									
CLM-9-SSC-BO	—	CLM-28-SSC-BO	—	CLM-55-SSC-BO	.79	.91	.91									
CLM-10-SSC-BO	—	CLM-29-SSC-BO	—	CLM-56-SSC-BO	.98	1.11	1.11									
CLM-11-SSC-BO	—	CLM-30-SSC-BO	—	CLM-57-SSC-BO	1.57	1.70	1.70									
CLM-12-SSC-BO	—	CLM-31-SSC-BO	—	CLM-58-SSC-BO	1.97	2.10	2.10									
CLM-13-SSC-BO	—	CLM-32-SSC-BO	—	CLM-59-SSC-BO	2.95	3.08	3.08									
CLM-14-SSC-BO	—	CLM-33-SSC-BO	—	CLM-61-SSC-BO	1.57	1.64	1.64									
CLM-15-SSC-BO	—	CLM-34-SSC-BO	—	CLM-62-SSC-BO	1.97	2.03	2.03									
CLM-16-SSC-BO	—	CLM-35-SSC-BO	—	CLM-63-SSC-BO	2.95	3.01	3.01									
CLM-17-SSC-BO	—	CLM-36-SSC-BO	—	CLM-64-SSC-BO	3.94	4.00	4.00									
CLM-18-SSC-BO	—	CLM-37-SSC-BO	—	CLM-66-SSC-BO	1.97	2.01	2.01									
CLM-19-SSC-BO	—	CLM-38-SSC-BO	—	CLM-67-SSC-BO	2.95	2.99	2.99									
CLM-20-SSC-BO	—	CLM-39-SSC-BO	—	CLM-68-SSC-BO	3.94	3.98	3.98									
CLM-21-SSC-BO	—	CLM-40-SSC-BO	—	CLM-69-SSC-BO	4.92	4.97	4.97									

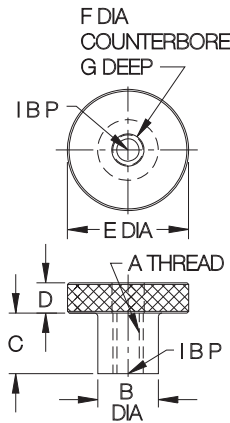
* Inch sizes are available zinc plated or with black oxide finish. Metric sizes are available only with black oxide finish (-BO only).

KNURLED KNOBS

STEEL: 12L14, CARBURIZED-HARDENED, BLACK OXIDE FINISH.
STAINLESS STEEL: 300-SERIES, PASSIVATED



High-quality knurled-head knob provides a positive grip for quick finger tightening in light clamping applications. Available in steel with a black oxide finish or stainless steel.



STEEL (INCH)

PART NO.	A	B DIA	C	D	E DIA	F DIA	G
CL-4-KK	1/4-20	5/8	1/2	1/4	1	NONE	NONE
CL-5-KK	5/16-18	5/8	1/2	5/16	1-1/4		
CL-6-KK	3/8-16	3/4	5/8	1/2	1-1/4		
CL-8-KK	1/2-13	1	3/4	1/2	1-1/2		

STAINLESS STEEL (INCH)

PART NO.	A	B DIA	C	D	E DIA	F DIA	G
CL-16312	#10-24	3/8	1/4	3/16	1/2	NONE	NONE
CL-16322			1/2			13/64	1/4
CL-16314			1/4	3/16	1	NONE	NONE
CL-16324			1/2			13/64	1/4
CL-16412	#10-32	3/8	1/4	3/16	1/2	NONE	NONE
CL-16422			1/2			13/64	1/4
CL-16414			1/4	3/16	1	NONE	NONE
CL-16424			1/2			13/64	1/4
CL-16513	1/4-20	1/2	1/4	1/4	3/4	NONE	NONE
CL-16514			1/4	1/4	1	NONE	NONE
CL-16524			1/2			17/64	1/4
CL-16534			3/4	17/64	1/2		
CL-16625	5/16-18	5/8	1/2	5/16	1-1/4	21/64	1/4
CL-16635			3/4			1/2	
CL-16725	3/8-16	3/4	1/2	3/8	1-1/4	25/64	1/4
CL-16735			3/4			1/2	
CL-8-KK-S	1/2-13	1	3/4	1/2	1-1/2	NONE	NONE

STEEL (METRIC)

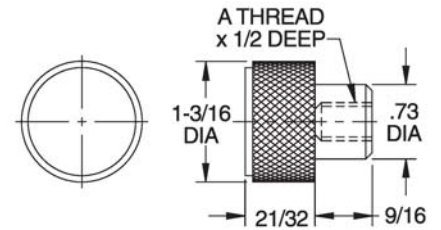
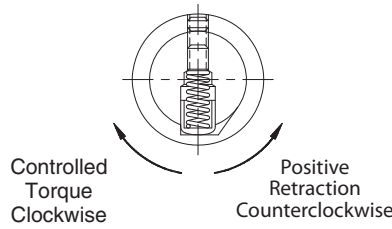
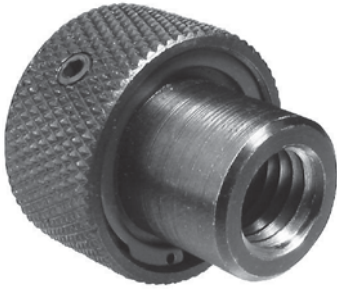
PART NO.	A	B DIA	C	D	E DIA	F DIA	G
CLM-5-KK	M5	.39	.30	.16	.79	NONE	NONE
CLM-6-KK	M6	.47	.39	.20	.94		
CLM-8-KK	M8	.63	.47	.24	1.18		
CLM-10-KK	M10	.79	.59	.31	1.42		
CLM-12-KK	M12	.79	.59	.31	1.57		

STAINLESS STEEL (METRIC)

PART NO.	A	B DIA	C	D	E DIA	F DIA	G
CLM-5-KK-S	M5	.39	.30	.16	.79	NONE	NONE
CLM-6-KK-S	M6	.47	.39	.20	.94		
CLM-8-KK-S	M8	.63	.47	.24	1.18		
CLM-10-KK-S	M10	.79	.59	.31	1.42		
CLM-12-KK-S	M12	.79	.59	.31	1.57		

ADJUSTABLE-TORQUE KNOBS

KNOB: 12L14 STEEL, BLACK OXIDE FINISH
SPRING: 17-7 PH STAINLESS STEEL



Knurled knob that exerts positive, repeatable force. Clockwise, the knob declutches and turns freely when you reach the desired torque. Counterclockwise, the knob locks for positive retraction. Can be used as a controlled-torque nut, or as a thumb screw by installing a custom-made screw in the tapped hole.

To set desired force, first remove the outer cover screw at the side of the knob, to expose the adjustment screw. Next, insert a hex wrench to turn the adjustment screw until desired torque is achieved. Reinstall the outer cover screw when finished. Torque can be adjusted from 3 to 6 inch-lbs, resulting in a contact force of 10 to 125 lbs, but these values are approximate. Force can vary +/- 30% depending on lubrication and other operating conditions.

INCH

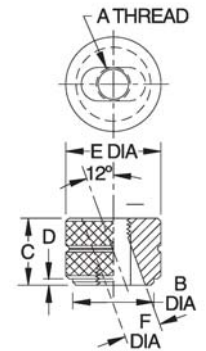
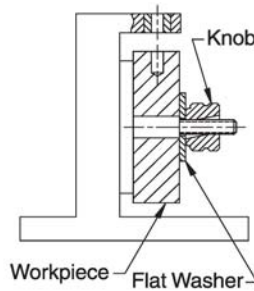
PART NO.	A	ADJUSTMENT RANGE	
		TORQUE (IN.-LBS)	END FORCE (LBS)*
CL-4-ATK	1/4-20	3-6	10-125
CL-5-ATK	5/16-18		10-125
CL-6-ATK	3/8-16		10-125
CL-8-ATK	1/2-13		10-125

METRIC

CLM-6-ATK	M6	3-6	10-125
CLM-8-ATK	M8		10-125
CLM-10-ATK	M10		10-125
CLM-12-ATK	M12		10-125

QUICK-ACTING KNURLED KNOBS

12L14 STEEL, BLACK OXIDE FINISH



INCH

PART NO.	A	B DIA	C	D	E DIA	F DIA
CL-1-QKK	#10-24	1/2	7/16		5/8	7/32
CL-2-QKK	1/4-20	5/8	9/16	1/16	3/4	9/32
CL-3-QKK	5/16-18	3/4	5/8		7/8	11/32
CL-4-QKK	3/8-16	7/8	3/4	1/8	1	13/32
CL-5-QKK	1/2-13	1			1-1/8	17/32

METRIC

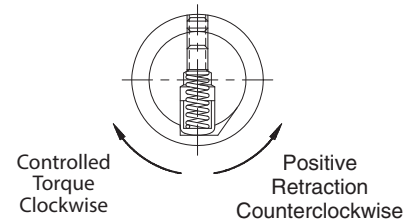
CLM-5-QKK	M5	.51	.43		5/8	.23
CLM-6-QKK	M6	.63	.55	.08	3/4	.27
CLM-8-QKK	M8	.75	.63	.12	7/8	.35
CLM-10-QKK	M10	.87			1	.42
CLM-12-QKK	M12	.98	.75	.12	1-1/8	.50

Quick-acting knob that slides in and out of clamping position, ideal when the knob must be completely removed for loading. Tilt knob to slide in, then straighten to engage threads and tighten. To remove, loosen knob, then tilt to slide out. For full strength, use a stud that extends slightly beyond the knob, to engage all threads.

ADJUSTABLE-TORQUE THUMB SCREWS

SCREW: 12L14 STEEL, CARBURIZED-HARDENED, BLACK OXIDE FINISH
 KNOB: 12L14 STEEL, BLACK OXIDE FINISH
 SPRING: MUSIC WIRE

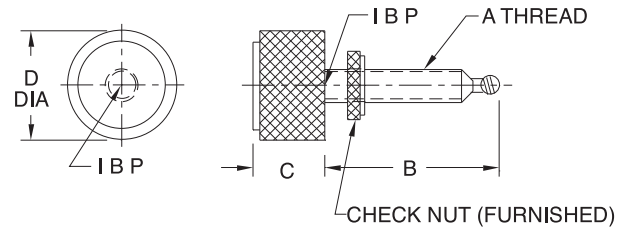
3



Knurled-head thumb screw that exerts positive, repeatable force. Clockwise, the knob declutches and turns freely when you reach the desired torque. Counterclockwise, the knob locks for positive retraction. Adjustable-Torque Thumb Screws are furnished with your choice of swivel foot, and a Knurled Check Nut.

To set desired force, first remove the outer cover screw at the side of the knob, to expose the adjustment screw. Next, insert a hex wrench to turn the adjustment screw until desired torque is achieved. Reinstall the outer cover screw when finished. Torque can be adjusted from 3 to 6 inch-lbs, resulting in a contact force of 10 to 125 lbs, but these values are approximate. Force can vary +/- 30% depending on lubrication and other operating conditions.

Choice of four foot types. Adjustable-Torque Thumb Screws use our patented left-hand-thread swivel-foot system. The ball end of the body screws into the foot for easy installation and removal. Once the ball threads pass beyond the foot threads, the foot can rotate and pivot freely (20° total angle). Foot threads are left-hand to positively prevent accidental backout during use. Delrin® feet are optional for types A and B. To order with a Delrin® foot, add "N" to the part number, e.g. CL-415-TSAN. Note: Delrin® feet are not threaded – they snap on and off.



INCH

PART NO.				A	B	C	D DIA	ADJUSTMENT RANGE	
DOG POINT	A FOOT	B FOOT	D FOOT					END FORCE (LBS)*	TORQUE (IN.-LBS)
CL-312-TS	—	—	—	#10-24	1-1/4	21/32	15/16	10-125	3-6
CL-312A-TS	—	—	—	#10-32					
—	CL-415-TSA	CL-415-TSB	CL-415-TSD	1/4-20	1-1/2				
—	CL-425-TSA	CL-425-TSB	CL-425-TSD	—	2-1/2				
—	CL-517-TSA	CL-517-TSB	CL-517-TSD	5/16-18	1-3/4				
—	CL-527-TSA	CL-527-TSB	CL-527-TSD	—	2-3/4				
—	CL-620-TSA	CL-620-TSB	CL-620-TSD	3/8-16	2	21/32	1-3/16	10-125	3-6
—	CL-630-TSA	CL-630-TSB	CL-630-TSD	—	3				
—	CL-820-TSA	CL-820-TSB	CL-820-TSD	1/2-13	2				
—	CL-830-TSA	CL-830-TSB	CL-830-TSD	—	3				
—	CL-1020-TSA	CL-1020-TSB	CL-1020-TSD	5/8-11	2				
—	CL-1030-TSA	CL-1030-TSB	CL-1030-TSD	—	3				

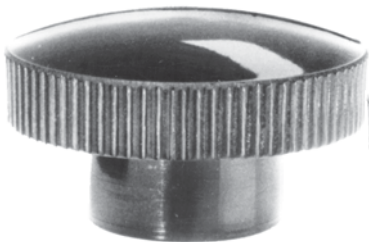
METRIC

PART NO.				A	B	C	D DIA	ADJUSTMENT RANGE	
DOG POINT	A FOOT	B FOOT	D FOOT					TORQUE (IN.-LBS)	END FORCE (LBS)*
CLM-5-TS	—	—	—	M5	1.18	21/32	15/16	3-6	10-125
—	CLM-6-TSA	CLM-6-TSB	CLM-6-TSD	M6	2.53				
—	CLM-8-TSA	CLM-8-TSB	CLM-8-TSD	M8	2.71				
—	CLM-10-TSA	CLM-10-TSB	CLM-10-TSD	M10	2.90	21/32	1-3/16	3-6	10-125
—	CLM-12-TSA	CLM-12-TSB	CLM-12-TSD	M12	2.89				
—	CLM-16-TSA	CLM-16-TSB	CLM-16-TSD	M16	2.88				

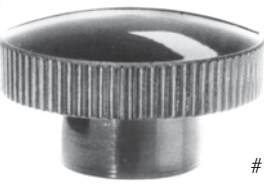
* End force can vary +/-30% depending on lubrication and other operating conditions.

KNURLED KNOBS

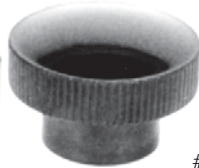
KNOB: BLACK PHENOLIC PLASTIC OR THERMOPLASTIC, WITH BRASS INSERT
 STUD: MILD STEEL, ZINC PLATED CLEAR CHROMATE



5/16-18 CL-642-KTK
 3/8-16 CL-652-KTK
 M8 CLM-642-KTK
 M10 CLM-652-KTK



1/4-20 CL-532- T
 5/16-18 CL-542- T
 M6 CLM-532- T
 M8 CLM-542- T



#10-32 CL-424- T
 1/4-20 CL-432- T
 M5 CLM-422- T
 M6 CLM-432- T



#10-32 CL-324- T
 1/4-20 CL-332- T
 M5 CLM-322- T



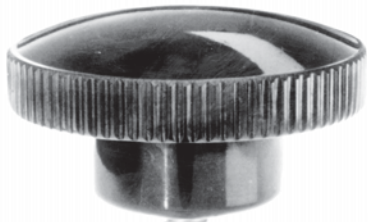
#10-32 CL-124-KTK



#6-32 CL-202-KTK
 #8-32 CL-212-KTK

Thermoplastic — Tapped

Phenolic — Tapped



Phenolic — Stud Type

3/8-16 X 1 CL-652-KTK-16
 M10 X 25mm CLM-652-KTK-25



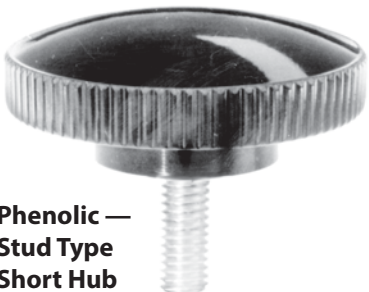
1/4-20 X 1/2 CL-532-KTK-8
 5/16-18 X 1 CL-542-KTK-16
 M8 X 25mm CLM-542-KTK-25



1/4-20 X 1 CL-432- T -16
 M6 X 25mm CLM-432- T -25

#8-32 X 1/2 CL-312-KTK-8
 #10-32 X 1/2 CL-324-KTK-8
 #10-32 X 1 CL-324-KTK-16
 1/4-20 X 1/2 CL-332-KTK-8
 M5 X 20mm CLM-322-KTK-20

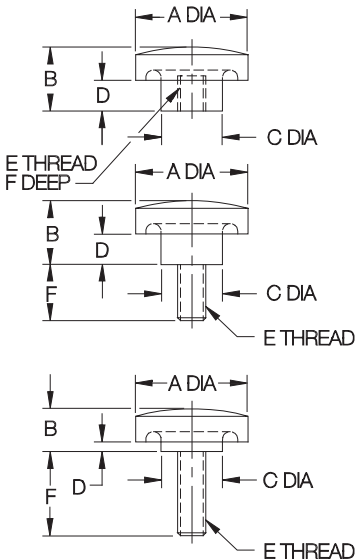
Phenolic — Stud Type Short Hub



3/8-16 X 1 CL-656-KTK-16



#6-32 X 3/4 CL-406- T -12
 1/4-20 X 3/4 CL-436- T -12



Knurled head provides a positive grip for finger tightening in light clamping applications. Choice of six knob sizes. Molded-in brass insert provides superior thread strength. Also available with a molded-in clamping stud. Non-standard thread sizes, or other lengths of molded-in studs are available in quantities of 500 and above. Note: Catalog photos are actual size.

THERMOPLASTIC — TAPPED (INCH)

PART NO.	A DIA	B	C DIA	D	E	F
CL-202-KTK	3/4	15/32	5/8	1/4	#6-32	5/16
CL-212-KTK					#8-32	

PHENOLIC — TAPPED (INCH & METRIC)

CL-124-KTK					#10-32	5/16
CL-324-KTK	5/8	9/16	1/2	—	#10-32	
CL-332-KTK	3/4	17/32	7/16	1/16	1/4-20	5/16
CLM-322-KTK					M5	
CL-424-KTK					#10-32	
CL-432-KTK	1	21/32	5/8	5/16	1/4-20	5/16
CLM-422-KTK					M5	
CLM-432-KTK					M6	3/8
CL-532-KTK					1/4-20	
CL-542-KTK	1-3/8	25/32	3/4	3/8	5/16-18	7/16
CLM-532-KTK					M6	
CLM-542-KTK					M8	
CL-642-KTK					5/16-18	7/16
CL-652-KTK	1-7/8	1	1	1/2	3/8-16	1/2
CLM-642-KTK					M8	7/16
CLM-652-KTK					M10	1/2

PHENOLIC — STUD TYPE (INCH & METRIC)

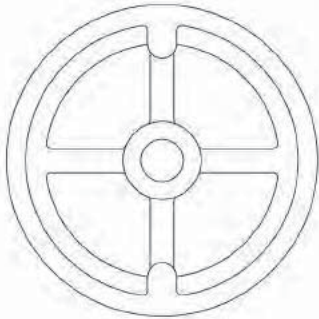
CL-312-KTK-8					#8-32	1/2
CL-324-KTK-8					#10-32	1
CL-324-KTK-16	3/4	17/32	7/16	1/16	1/4-20	1/2
CL-332-KTK-8					1/4-20	1/2
CLM-322-KTK-20					M5	.79
CL-432-KTK-16	1	21/32	5/8	5/16	1/4-20	1
CLM-432-KTK-25					M6	.98
CL-532-KTK-8					1/4-20	1/2
CL-542-KTK-16	1-3/8	25/32	3/4	3/8	5/16-18	1
CLM-542-KTK-25					M8	.98
CL-652-KTK-16	1-7/8	1	1	1/2	3/8-16	1
CLM-652-KTK-25					M10	.98

PHENOLIC — STUD TYPE, SHORT HUB (INCH)

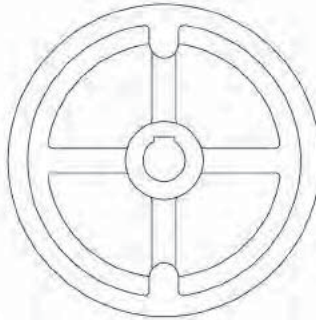
CL-406-KTK-12	1	13/32	1/2	1/16	#6-32	3/4
CL-436-KTK-12					1/4-20	
CL-656-KTK-16	1-7/8	3/4	1	1/4	3/8-16	1

HAND-WHEEL MODIFICATIONS

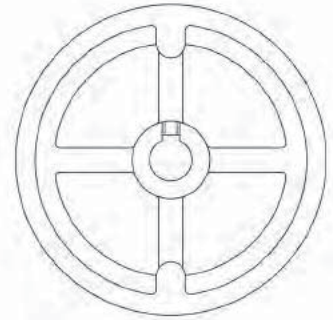
3



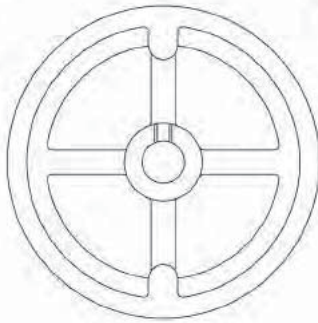
Bored Hole



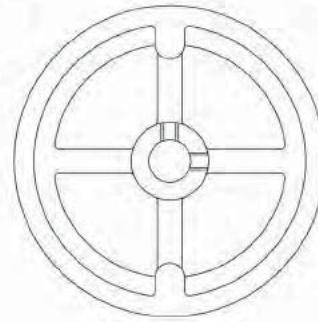
Bored Hole with Keyway



Bored Hole with Setscrew Hole over Keyway



Bored Hole with Setscrew Hole



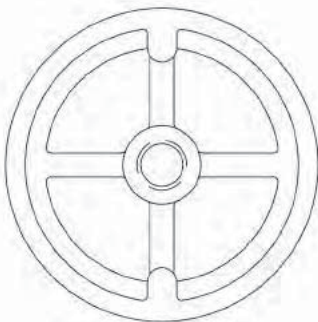
Bored Hole with 2 Setscrew Holes at 90°

BORE SIZE

HAND WHEEL DIA	STANDARD BORE SIZE (+0/+0.002)	MAXIMUM BORE SIZE
4	.375	.750
5	.375	1.000
6	.500	1.125
8	.625	1.375
10	.625	1.500
12	.750	2.000

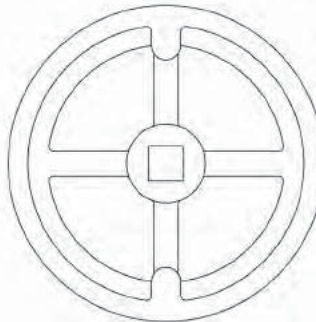
KEYWAYS & SETSCREWS

BORE SIZE	STANDARD SQUARE KEYWAY	STANDARD SETSCREW HOLE
.375-.438	3/32	#10-32
.439-.562	1/8	#10-32
.563-.875	3/16	1/4-20
.876-1.250	1/4	5/16-18
1.251-1.375	5/16	3/8-16
1.376-1.750	3/8	3/8-16
1.751-2.000	1/2	1/2-13



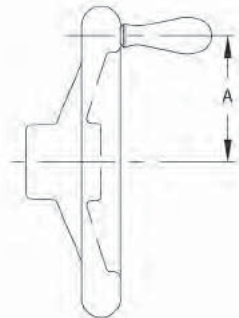
TAPPED HOLE

HAND WHEEL DIA	AVAILABLE THREAD SIZES
4	3/8 to 3/4, M10 to M20
5	3/8 TO 1, M10 to M24
6	1/2 to 1-1/4, M12 to M30
8	1/2 to 1-3/8, M12 to M36
10	5/8 to 1-1/2, M16 to M36
12	3/4 to 2, M20 to M48



SQUARE HOLE

HAND WHEEL DIA	AVAILABLE SQUARE HOLE SIZES
4	1/2
5	1/2, 5/8
6	1/2, 5/8
8	1/2, 5/8
10	1/2, 5/8
12	1/2, 5/8



HANDLE INSTALLATION

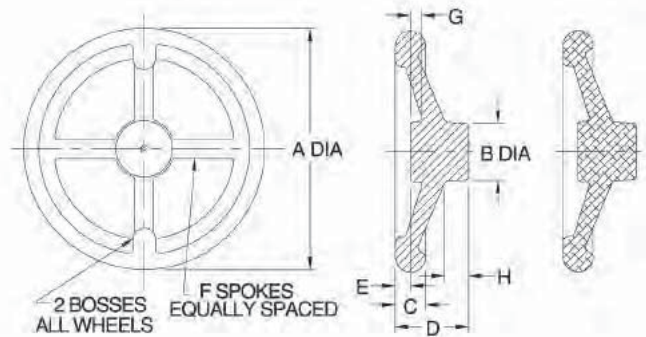
HAND WHEEL DIA	A
4	1-9/16
5	2
6	2-1/2
8	3-1/4
10	4-3/16
12	5-1/8

HAND WHEELS

CAST IRON PER ASTM-A48 CLASS 30 OR 319 ALUMINUM ALLOY



**Angled-Spoke
Rounded Design
Cast Iron or Aluminum**



**Cast Iron
HWAF** **Aluminum
HWAFA**

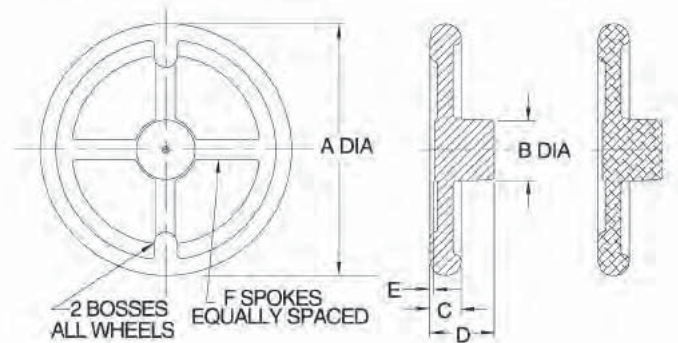
Utility-grade Hand Wheels that can be easily customized for any application. INFO+: See page 103 for factory modifications available. Wide range of sizes from 4 to 12" in diameter. Choose either cast iron for maximum strength, or aluminum for light weight.

ANGLED SPOKES

PART NO. CAST IRON	PART NO. ALUMINUM	A DIA	B DIA	C	D	E	F	G	H	J DIA	HANDLE		
											SIZE	SOLID	REVOLVING
CL-4-HWAF	CL-4-HWAFA	4	1-1/4	5/8	1-11/16	1/8	4	9/32	3/4	11/16	SIZE 2	INFO+: SEE PAGE 125	INFO+: SEE PAGES 126-128
CL-5-HWAF	CL-5-HWAFA	5	1-1/2	3/4	1-7/8	3/8		5/16					
CL-6-HWAF	CL-6-HWAFA	6	1-5/8		1	2	13/32	3/8	13/16	1	SIZE 4		
CL-8-HWAF	CL-8-HWAFA	8	1-7/8	2-7/16		1/2	1-3/8						
CL-10-HWAF	CL-10-HWAFA	10	2-1/4	3-1/32	11/16	8	7/16	1-1/16	1-3/4	SIZE 5			
CL-12-HWAF	CL-12-HWAFA	12	1	4-3/32	1-1/16			1-3/4	2-1/2				



**Straight-Spoke
Rounded Design
Cast Iron or Aluminum**



**Cast Iron
HWSF** **Aluminum
HWSFA**

Same as the Hand Wheels shown above, except with straight spokes for a flatter profile.

STRAIGHT SPOKES

PART NO. CAST IRON	PART NO. ALUMINUM	A DIA	B DIA	C	D	E	F	J DIA	HANDLE		
									SIZE	SOLID	REVOLVING
CL-4-HWSF	CL-4-HWSFA	4	1-1/4	5/8	1-11/16	1/8	4	11/16	SIZE 2	INFO+: SEE PAGE 125	INFO+: SEE PAGES 126-128
CL-5-HWSF	CL-5-HWSFA	5	1-1/2	3/4							
CL-6-HWSF	CL-6-HWSFA	6	1-5/8		1	2-1/16	5/32	3/8	1-3/8		
CL-8-HWSF	CL-8-HWSFA	8	1-7/8	2-1/2		1/8			1-3/4		
CL-10-HWSF	CL-10-HWSFA	10	2-1/4	3-1/4	1/8	2-1/2					

HAND WHEELS

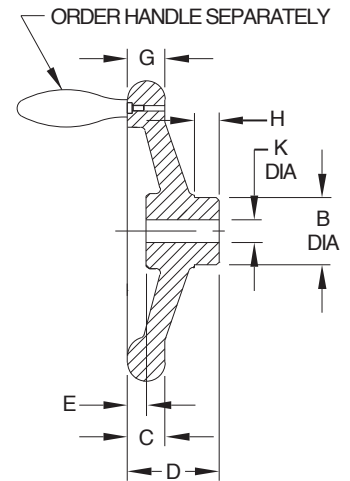
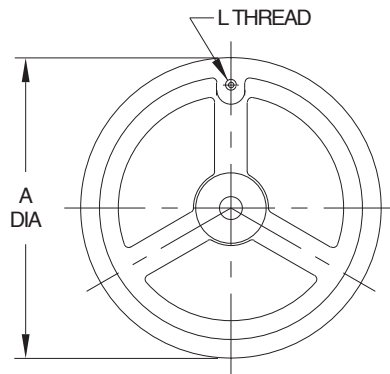
CAST IRON, CHROME PLATED

3



Angled-Spoke Rounded Design
Cast Iron
Chrome Plated with Polished Rim

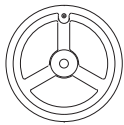
High-quality Hand Wheel with contemporary design. Beautiful chrome-plated finish with a polished rim. Hand Wheel is bored to the standard shaft diameter for its size, and is also tapped for a standard Solid or Revolving Handle. Order handle separately. **INFO+**: See table below for matching rounded-design handle (stainless steel), or pages 125-128 for additional styles. To use without a handle, see table below to order a matching Handle Plug, for the tapped hole (chrome-plated steel).



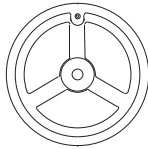
Hand wheels up through 8" diameter have three spokes; sizes 10" and larger have five spokes. Sizes 8" and larger have a wavy inside rim for better gripping.



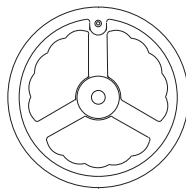
4"



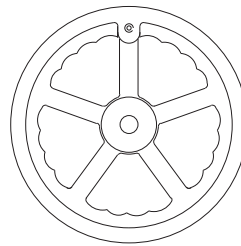
5"



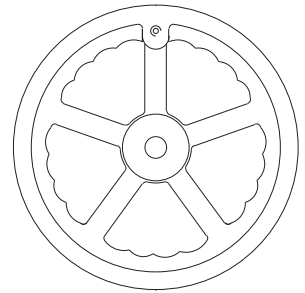
6"



8"



10"



12"

ORDER HAND WHEEL AND SOLID/REVOLVING HANDLE SEPARATELY

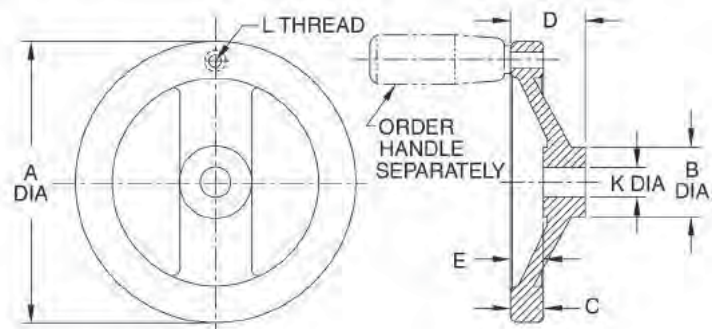
PART NO. WITH TAPPED HOLE FOR HANDLE	A DIA	B DIA	C	D	E	H	K DIA	L	MATCHING HANDLE			HANDLE PLUG
									SIZE	SOLID	REVOLVING	
CL-40-HWAR	4	1-1/8	9/16	1-1/2	7/16	1/2	3/8	1/4-20	SIZE 2	CL-250-SH-S	CL-250-RH-S	CL-2-HW-PLUG
CL-50-HWAR	5	1-1/4	19/32	1-5/8								
CL-60-HWAR	6	1-3/8	21/32	1-13/16	9/16	9/16	1/2	5/16-18	SIZE 3	CL-350-SH-S	CL-350-RH-S	CL-3-HW-PLUG
CL-80-HWAR	8	1-21/32	7/8	2-3/16	11/16	5/8	5/8	3/8-16	SIZE 4	CL-450-SH-S	CL-450-RH-S	CL-4-HW-PLUG
CL-100-HWAR	10	1-7/8	15/16	2-3/8	23/32	3/4						
CL-120-HWAR	12	2-5/32	1	2-1/2	23/32	7/8	3/4	1/2-13	SIZE 5	CL-550-SH-S	CL-550-RH-S	CL-5-HW-PLUG

HAND WHEELS

ALUMINUM, GRAVITY DIE CAST



High-quality Hand Wheel with two spokes, with contemporary design. Rim is machined and highly polished on all sides. Spokes are shot blasted to a satin finish. These Hand Wheels are bored to the standard shaft diameter for their size, and are tapped for a Solid or Revolving Handle (also available without tapped hole for handle). Rim is concentric and square to the bore. Order Solid or Revolving Handle separately. Matching square-design stainless steel handles are recommended.



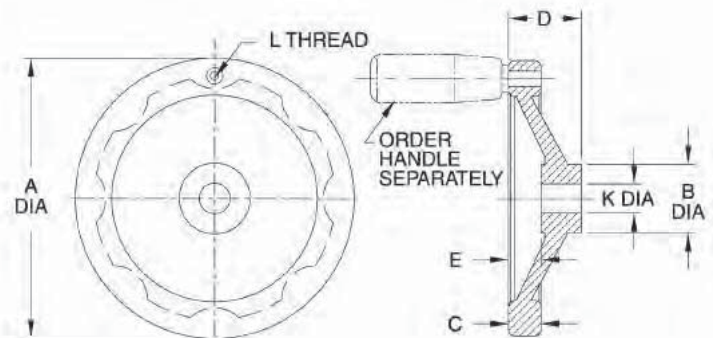
TWO-SPOKE SQUARE DESIGN — ALUMINUM

PART NO. WITH TAPPED HOLE FOR HANDLE	PART NO. WITHOUT TAPPED HOLE FOR HANDLE	A DIA	B DIA	C	D	E	K DIA	L	HANDLE		
									SIZE	SOLID	REVOLVING
CL-50-HWTS-A	CL-5-HWTS-A	4.92	1.22	.59	1.30	.59	.375	1/4-20	SIZE 2	SEE PAGE	SEE PAGES
CL-60-HWTS-A	CL-6-HWTS-A	6.30	1.42	.71	1.54	.75	.500	5/16-18	SIZE 3	125	126-128
CL-80-HWTS-A	CL-8-HWTS-A	7.87	1.65	.81	1.77	.83	.625	3/8-16	SIZE 4		
CL-100-HWTS-A	CL-10-HWTS-A	9.84	1.89	.91	2.01	.91					

INFO+



High-quality aluminum Hand Wheel, with contemporary design. Rim is machined and highly polished on all sides. Solid inner dish is shot-blasted to a satin finish. These Hand Wheels are bored to the standard shaft diameter for their size, and are tapped for a Solid or Revolving Handle (also available without tapped hole for handle). Rim is concentric and square to the bore. Order Solid or Revolving Handle separately. Matching square-design stainless steel handles are recommended.



SOLID SQUARE DESIGN — ALUMINUM

PART NO. WITH TAPPED HOLE FOR HANDLE	PART NO. WITHOUT TAPPED HOLE FOR HANDLE	A DIA	B DIA	C	D	E	K DIA	L	HANDLE		
									SIZE	SOLID	REVOLVING
CL-40-HWSS-A	CL-4-HWSS-A	3.94	1.10	.55	1.18	.51	.375	1/4-20	SIZE 2	SEE PAGE	SEE PAGES
CL-50-HWSS-A	CL-5-HWSS-A	4.92	1.22	.59	1.30	.59					
CL-60-HWSS-A	CL-6-HWSS-A	6.30	1.42	.71	1.54	.75	.500	5/16-18	SIZE 3	125	126-128
CL-80-HWSS-A	CL-8-HWSS-A	7.87	1.65	.81	1.77	.83	.625	3/8-16	SIZE 4		
CL-100-HWSS-A	CL-10-HWSS-A	9.84	1.89	.91	2.01	.91					

INFO+

HAND WHEELS

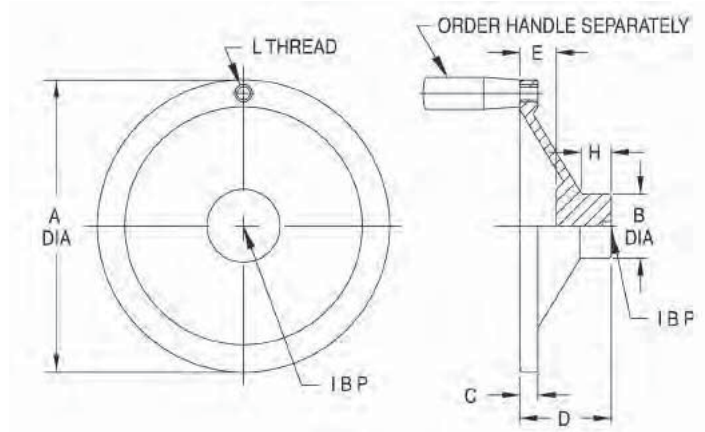
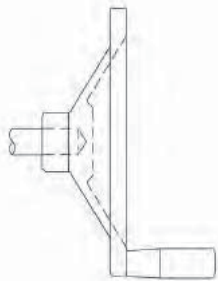
300-SERIES STAINLESS STEEL

3



**Solid Square Design
Stainless Steel**

High-quality, stainless steel Hand Wheel. Contemporary square design, completely machined to a fine finish from solid 300-series stainless steel. This precision Hand Wheel is extremely strong, yet light weight. Stainless steel Hand Wheels are center drilled, and also tapped for a standard Solid or Revolving Handle. Order handle separately. **INFO+**: See table below for matching square-design handle (stainless steel), or pages 119-123 for additional styles.



These Hand Wheels can be bored with a blind hole to hide the shaft, for an extremely attractive finished appearance.

ORDER HAND WHEEL AND SOLID/REVOLVING HANDLE SEPARATELY

PART NO. WITH TAPPED HOLE FOR HANDLE	A DIA	B DIA	C	D	E	H	L	MATCHING HANDLE		
								SIZE	SOLID	REVOLVING
CL-30-HWSS-S	3	.87	1/4	1.10	.43	3/8	1/4-20	SIZE 1	CL-100-SH-S	CL-100-RH-S
CL-40-HWSS-S	4	1.02	5/16	1.25	.54	7/16				
CL-60-HWSS-S	6	1.50	1/2	1.50	.63	1/2	1/4-20	SIZE 2	CL-200-SH-S	CL-200-RH-S
CL-80-HWSS-S	8	1.80	9/16	1.80	.85	5/8				
CL-100-HWSS-S	10	2	5/8	2	.95	3/4	3/8-16	SIZE 4	CL-400-SH-S	CL-400-RH-S

HAND WHEELS

BODY: BLACK FIBER-REINFORCED NYLON THERMOPLASTIC
HUB: MILD STEEL, ZINC PLATED CLEAR CHROMATE

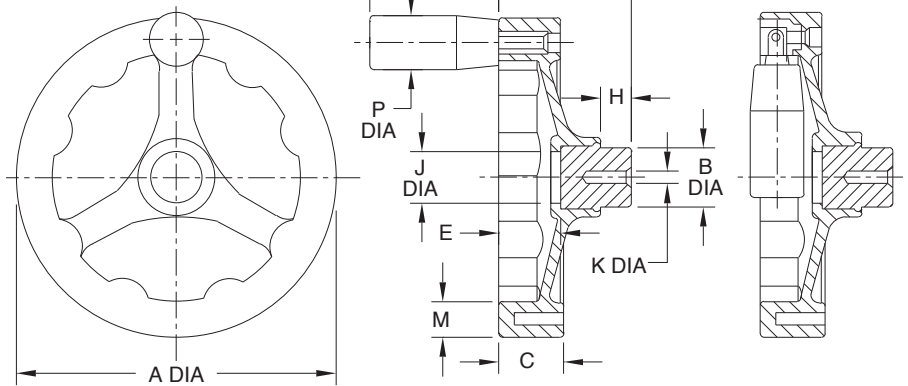


**Angled-Spoke Square Design
Thermoplastic
with Revolving Handle**



**Angled-Spoke Square Design
Thermoplastic
with Foldable Revolving Handle**

High-quality, thermoplastic Hand Wheel with three spokes, with contemporary design. Molded-in steel hub, blank with a pilot hole. Available with either a Revolving Handle, a Foldable Revolving Handle, or a plain rim without a handle. Matte black fiber-reinforced nylon thermoplastic (textured surface for secure gripping, excellent impact resistance, operating temperatures to 230°F).



PART NO. WITH REVOLVING HANDLE	PART NO. WITH FOLDABLE REVOLVING HANDLE	PART NO. WITHOUT HANDLE (NOT TAPPED)	A DIA	B DIA	C	D	E	H	J DIA	K DIA	M	N	P DIA
CL-41-HWAS-P	CL-42-HWAS-P	CL-4-HWAS-P	3.94	.94	.79	1.69	.75	.47	.71	.157	.59	1.97	.83
CL-51-HWAS-P	CL-52-HWAS-P	CL-5-HWAS-P	4.92		.94	2.01	.91		.79	.236	.67		
CL-61-HWAS-P	CL-62-HWAS-P	CL-6-HWAS-P	6.30	1.26	1.10	2.40	1.18	.59	1.18	.236	.79	2.76	.91
CL-81-HWAS-P	CL-82-HWAS-P	CL-8-HWAS-P	7.87	1.57	1.26	2.87	1.30		1.38	.91	3.54	1.02	

HAND WHEELS

BODY: MATTE BLACK HIGH-IMPACT THERMOPLASTIC
 HUB: MILD STEEL, BLACK OXIDE FINISH
 CENTER TRIM COVER: ALUMINUM, ANODIZED

3



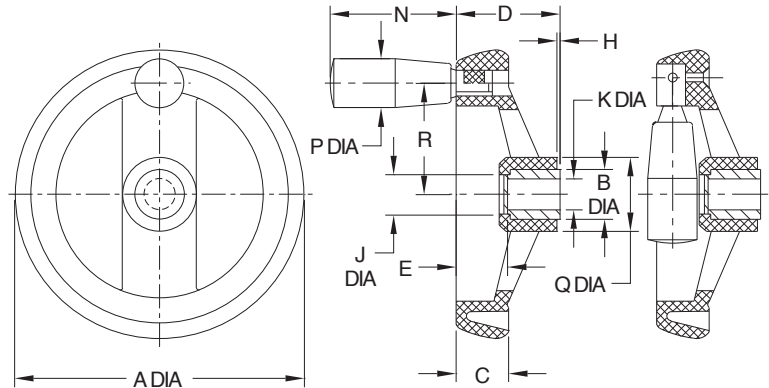
**Two-Spoke Rounded Design
 Thermoplastic
 with Revolving Handle**



**Two-Spoke Rounded Design
 Thermoplastic
 with Foldable Revolving Handle**

**ELESA
 ORIGINAL
 DESIGN**

High-quality, thermoplastic Hand Wheel with two spokes, with contemporary design. Molded-in steel hub. These Hand Wheels are bored to the standard shaft diameter for their size. Available with either a Revolving Handle, a Foldable Revolving Handle, or a plain rim without a handle. Matte black high-impact thermoplastic (textured surface for secure gripping, excellent impact resistance, operating temperatures to 230°F).



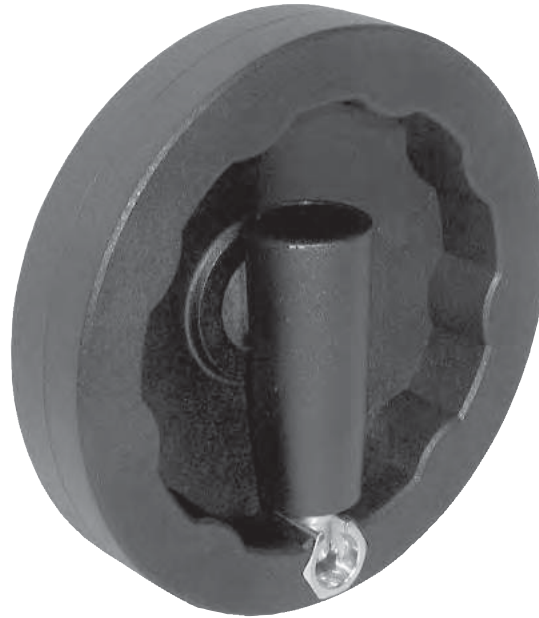
PART NO. WITH REVOLVING HANDLE	PART NO. WITH FOLDABLE REVOLVING HANDLE	PART NO. WITHOUT HANDLE (NOT TAPPED)	A DIA	B HUB DIA	C	D	E	H	J DIA	K BORE DIA	N	P DIA	Q DIA	R
CL-41-HWTR-P	CL-42-HWTR-P	CL-4-HWTR-P	3.90	.71	.79	1.46	.79	.01	.67	.375	1.97	.83	.98	1.45
CL-51-HWTR-P	CL-52-HWTR-P	CL-5-HWTR-P	4.88	.87	.87	1.73	.87		.83	.375	2.56	.91	1.22	1.83
CL-61-HWTR-P	CL-62-HWTR-P	CL-6-HWTR-P	6.30	1.02	.98	2.01	.94		.98	.500			1.57	2.56
CL-81-HWTR-P	CL-82-HWTR-P	CL-8-HWTR-P	7.87	1.18	1.10	2.40	1.06		1.22	.625	3.15	1.02	1.97	3.30

HAND WHEELS

BODY: MATTE BLACK FIBER-REINFORCED NYLON THERMOPLASTIC
HUB: MILD STEEL, ZINC PLATED CLEAR CHROMATE

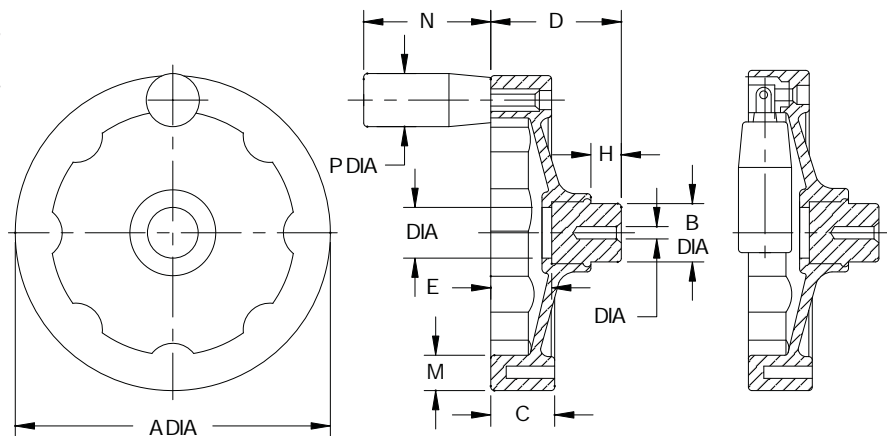


**Solid Square Design
Thermoplastic
with Revolving Handle**



**Solid Square Design
Thermoplastic
with Foldable Revolving Handle**

High-quality, thermoplastic Hand Wheel with two spokes, with contemporary design. Molded-in steel hub. These Hand Wheels are bored to the standard shaft diameter for their size. Available with either a Revolving Handle, a Foldable Revolving Handle, or a plain rim without a handle. Matte black high-impact thermoplastic (textured surface for secure gripping, excellent impact resistance, operating temperatures to 230°F).



PART NO. WITH REVOLVING HANDLE	PART NO. WITH FOLDABLE REVOLVING HANDLE	PART NO. WITHOUT HANDLE (NOT TAPPED)	A DIA	B DIA	C	D	E	H	J DIA	K DIA	M	N	P DIA
CL-41-HWSS-P	CL-42-HWSS-P	CL-4-HWSS-P	3.94	.94	.79	1.81	.87	.47	.71	.157	.59	1.97	.83
CL-51-HWSS-P	CL-52-HWSS-P	CL-5-HWSS-P	4.92		.94	2.01	.91		.79	.236	.67		
CL-61-HWSS-P	CL-62-HWSS-P	CL-6-HWSS-P	6.30	1.26	1.10	2.40	1.18	.59	1.18	.236	.79	2.76	.91
CL-81-HWSS-P	CL-82-HWSS-P	CL-8-HWSS-P	7.87	1.57	1.26	2.91	1.34		1.38		.94	3.54	1.02

HAND WHEELS

BODY: MATTE BLACK HIGH-IMPACT THERMOPLASTIC
 HUB: MILD STEEL, BLACK OXIDE FINISH
 CENTER TRIM COVER: GRAY THERMOPLASTIC, PUSH FIT

3



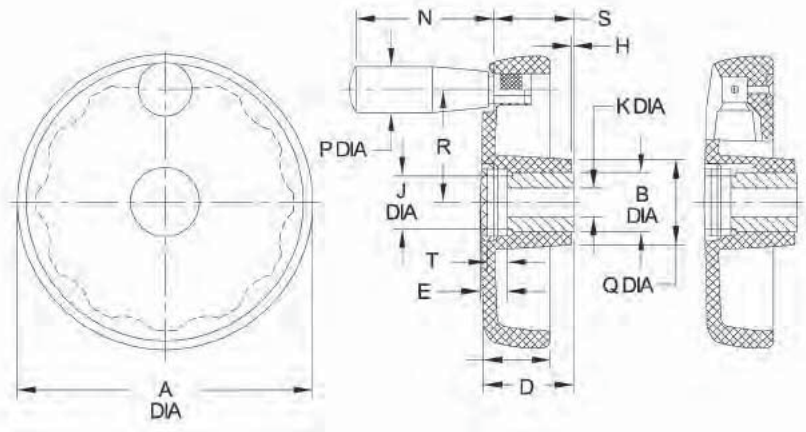
**Solid Disk Design
 Thermoplastic
 with Revolving Handle**



**ELESA
 ORIGINAL
 DESIGN**

**Solid Disk Design
 Thermoplastic
 with Foldable Revolving Handle**

High-quality, solid-disk thermoplastic Hand Wheel, with contemporary design. Molded-in steel hub. These Hand Wheels are bored to the standard shaft diameter for their size. Available with either a Revolving Handle, a Foldable Revolving Handle, or a plain rim without a handle. Matte black high-impact thermoplastic (textured surface for secure gripping, excellent impact resistance, operating temperatures to 230°F).



PART NO. WITH REVOLVING HANDLE	PART NO. WITH FOLDABLE REVOLVING HANDLE	A DIA	B HUB DIA	C	D	E	H	J DIA	K BORE DIA	N	P DIA	Q DIA	R	S	T
CL-41-HWSD-P	CL-42-HWSD-P	4.02	.87	.94	1.34	.47	.01	.79	.375	1.97	.83	1.18	1.53	1.18	.35
CL-51-HWSD-P	CL-52-HWSD-P	4.92	1.02	1.10	1.54	.47		.94	.375	2.20	.87	1.38	1.93	1.38	.31
CL-61-HWSD-P	CL-62-HWSD-P	5.91		1.26	1.73	.55		.500	2.56	.91	1.50	2.28	1.57	.39	
CL-81-HWSD-P	CL-82-HWSD-P	7.87	1.57	1.54	2.09	.67		1.50	.625	3.54	1.10	1.97	3.19	1.89	.51

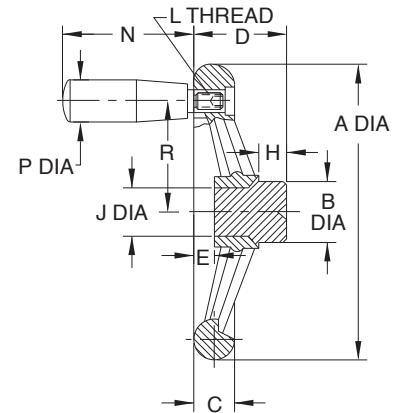
HAND WHEELS

BODY: BLACK PHENOLIC PLASTIC
 HUB (ANGLED SPOKE): MILD STEEL, BLACK OXIDE FINISH
 HUB (SOLID): MILD STEEL, ZINC PLATED CLEAR CHROMATE



High-quality, phenolic Hand Wheel with three spokes, with contemporary design. Molded-in steel hub, blank without a pilot hole. Available with either a Revolving Handle or a plain rim without a handle. Black phenolic plastic (glossy smooth finish, extremely hard, electrical insulator, operating temperatures to 300°F, resistant to oils and most common chemicals).

**ELESA
 ORIGINAL
 DESIGN**



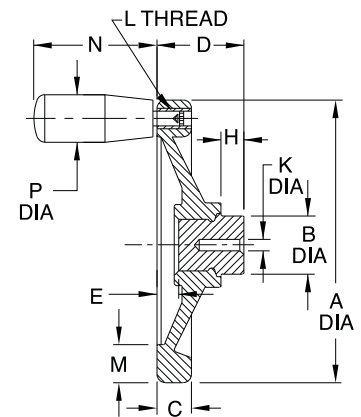
3

ANGLED-SPOKE ROUNDED DESIGN — PHENOLIC

PART NO. WITH REVOLVING HANDLE	PART NO. WITHOUT HANDLE (NOT TAPPED)	A DIA	B DIA	C	D	E	H	J DIA	L	N	P DIA
CL-41-HWAR-F	CL-4-HWAR-F	3.86	.94	.55	1.57	.16	.47	.79	M6	1.57	.71
CL-51-HWAR-F	CL-5-HWAR-F	4.88		.71	1.38	.35					
CL-61-HWAR-F	CL-6-HWAR-F	6.18	1.26	.87	1.57	.47	.59	.94	M8	2.56	.91
CL-81-HWAR-F	CL-8-HWAR-F	7.80	1.57	.94	2.20	.51		1.22	M10	3.15	1.02



High-quality, phenolic Hand Wheel, with contemporary design. Molded-in steel hub, blank with a pilot hole. Available with either a Revolving Handle or a plain rim without a handle. Black phenolic plastic (glossy smooth finish, extremely hard, electrical insulator, operating temperatures to 300°F, resistant to oils and most common chemicals).



SOLID SQUARE DESIGN — PHENOLIC

PART NO. WITH REVOLVING HANDLE	PART NO. WITHOUT HANDLE (NOT TAPPED)	A DIA	B DIA	C	D	E	H	K DIA	L	M	N	P DIA
CL-31-HWSS-F	CL-3-HWSS-F	3.15	.79	.55	1.22	.16	.39	.157	M6	.59	1.57	.71
CL-41-HWSS-F	CL-4-HWSS-F	3.94	.94		1.38	.24	.43					
CL-51-HWSS-F	CL-5-HWSS-F	4.92	1.26	.63	1.73	.35	.51	.236	M8	.71	2.17	.91
CL-61-HWSS-F	CL-6-HWSS-F	5.91	1.26	.71	1.89	.43	.51		M10	.79	2.56	1.02
CL-81-HWSS-F	CL-8-HWSS-F	7.87	1.57	.83	2.28	.55	.63			.94		

HAND WHEELS

BODY: BLACK PHENOLIC PLASTIC
 HUB: MILD STEEL, ZINC PLATED CLEAR CHROMATE

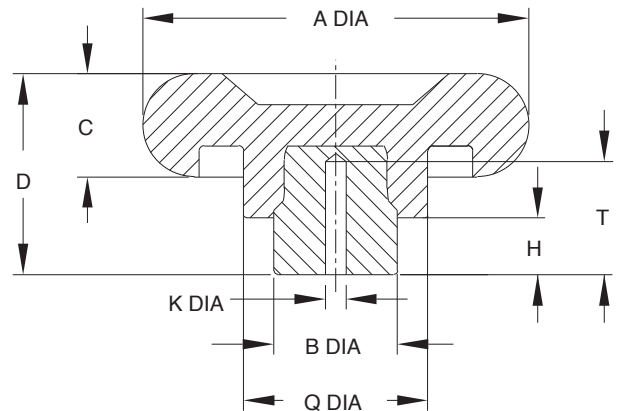
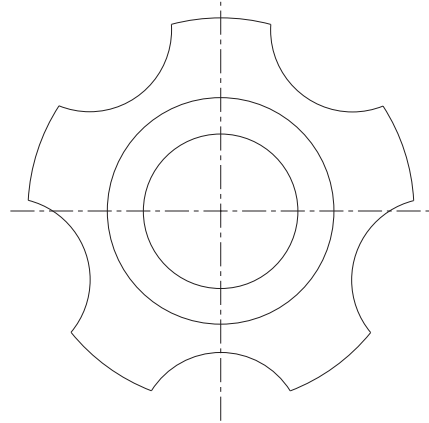
3



CL-4-FHW



CL-3-FHW



Small five-lobed phenolic hand wheels that are useful as control knobs or clamping knobs. Available in two diameters. Molded-in steel hub, blank with a pilot hole. Black phenolic plastic (glossy smooth finish, extremely hard, electrical insulator, operating temperatures to 300°F, resistant to oils and most common chemicals).
 Note: Catalog photos are actual size.

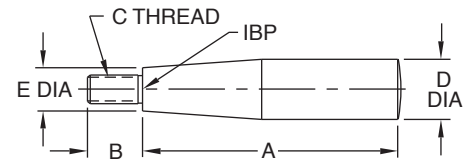
PART NO.	A DIA	B DIA	C	D	H	K DIA	Q DIA	T
CL-3-FHW	2.95	.94	.79	1.54	.43	.157	1.34	.87
CL-4-FHW	3.54	1.26		1.65	.47	.236	1.73	.98

SOLID HANDLES

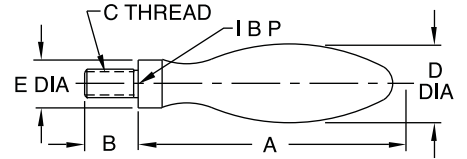
STEEL: 12L14, BLACK OXIDE FINISH. STAINLESS STEEL: 300 SERIES.



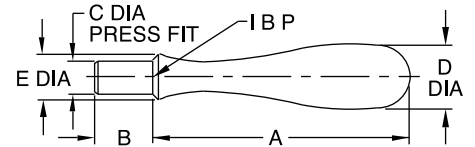
**Square Design
Threaded
Stainless Steel**



**Rounded Design
Threaded
Stainless Steel**



**Rounded Design
Press Fit
Steel, Black Oxide Finish**



SQUARE DESIGN, THREADED — STAINLESS (INCH)

PART NO.	SIZE	A	B	C	D DIA	E DIA
CL-100-SH-S	1	1-1/2	9/32	1/4-20	1/2	13/32
CL-200-SH-S	2	2	7/16			
CL-300-SH-S	3	2-1/2	9/16	5/16-18	5/8	15/32
CL-400-SH-S	4	3-1/4	11/16	3/8-16	3/4	19/32

ROUNDED DESIGN, THREADED — STAINLESS (INCH)

PART NO.	SIZE	A	B	C	D DIA	E DIA
CL-250-SH-S	2	2	1/2	1/4-20	5/8	.44
CL-350-SH-S	3	2-5/8	9/16	5/16-18	13/16	.53
CL-450-SH-S	4	3-3/16	11/16	3/8-16	1	.63
CL-550-SH-S	5	3-3/4	13/16	1/2-13	1-1/4	.75

ROUNDED DESIGN, PRESS FIT — STEEL (INCH)

PART NO.	SIZE	A	B	C	D DIA	E DIA
CL-1-SH	2	2	9/16	3/8	11/16	5/8
CL-2-SH	4	3-1/4	3/4	7/16	1	11/16
CL-3-SH	5	3-7/8	1	1/2	1-3/16	7/8

Attractive fixed handles available in steel with a black oxide finish, or stainless steel with a polished finish. Available in square or rounded designs, each in several sizes. Choice of threaded type or press-fit type (do not use press-fit handles on aluminum hand wheels).

SQUARE DESIGN, THREADED — STAINLESS (METRIC)

PART NO.	SIZE	A	B	C	D DIA	E DIA
CLM-100-SH-S	1	1-1/2	9/32	M6	1/2	13/32
CLM-200-SH-S	2	2	7/16			
CLM-300-SH-S	3	2-1/2	9/16	M8	5/8	15/32
CLM-400-SH-S	4	3-1/4	11/16	M10	3/4	19/32

ROUNDED DESIGN, THREADED — STAINLESS (METRIC)

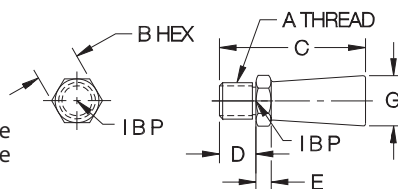
PART NO.	SIZE	A	B	C	D DIA	E DIA
CLM-250-SH-S	2	2	1/2	M6	5/8	.44
CLM-350-SH-S	3	2-5/8	9/16	M8	13/16	.53
CLM-450-SH-S	4	3-3/16	11/16	M10	1	.63
CLM-550-SH-S	5	3-3/4	13/16	M12	1-1/4	.75

FINGER PINS

12L14 STEEL, BLACK OXIDE FINISH



Miniature, fixed finger handle in steel, with a black oxide finish.



INCH

PART NO.	A	B	C	D	E	G DIA
CL-0-FP	#10-32	1/4	3/4	1/4	7/64	1/4
CL-1-FP	#10-24					
CL-2-FP	5/16-18	3/8	1-1/4	5/16	5/32	3/8

METRIC

PART NO.	A	B	C	D	E	G DIA
CLM-5-FP	M5	6mm	.75	M6	.12	.24
CLM-8-FP	M8	10mm	1.26	M8	.16	.39

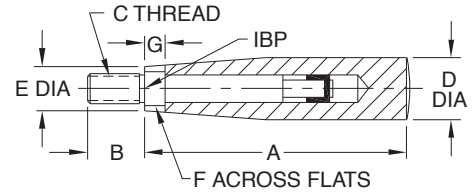
REVOLVING HANDLES

STEEL: 12L14, BLACK OXIDE FINISH. STAINLESS STEEL: 300 SERIES

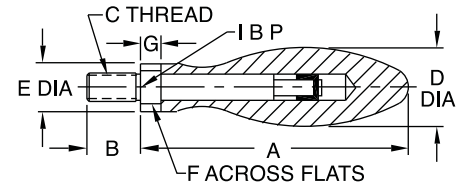
3



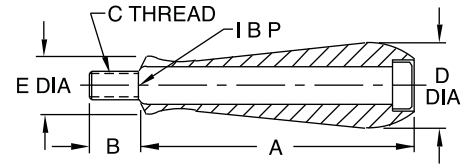
Square Design Threaded Stainless Steel



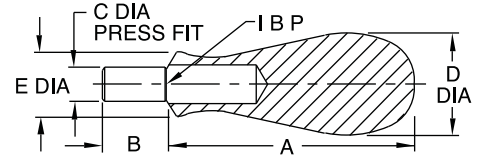
Rounded Design Threaded Stainless Steel



Rounded Design Shoulder Screw Steel, Black Oxide Finish



Rounded Design Press Fit Steel, Black Oxide Finish



Revolving Handles have an internal bearing that allows the handle to remain fixed in your hand, for firm gripping, while turning a hand wheel or crank. These attractive handles are available in steel with a black oxide finish, or stainless steel with a polished finish. Available in square or rounded designs, each in several sizes. Choice of threaded type or press-fit type (do not use press-fit handles on aluminum hand wheels).

SQUARE DESIGN, THREADED — STAINLESS (INCH)

PART NO.	SIZE	A	B	C	D DIA	E DIA	F	G
CL-100-RH-S	1	1-1/2	9/32	1/4-20	1/2	13/32	5/16	.25
CL-200-RH-S	2	2	1/2					.28
CL-300-RH-S	3	2-1/2	9/16	5/16-18	5/8	15/32	3/8	.32
CL-400-RH-S	4	3-1/4	5/8	3/8-16	3/4	19/32	7/16	.39

ROUNDED DESIGN, THREADED — STAINLESS (INCH)

CL-250-RH-S	2	2-1/4	1/2	1/4-20	5/8	.44	5/16	.25
CL-350-RH-S	3	2-13/16	9/16	5/16-18	13/16	.53	3/8	.28
CL-450-RH-S	4	3-3/8	5/8	3/8-16	1	.63	7/16	.32
CL-550-RH-S	5	4	3/4	1/2-13	1-1/4	.75	5/8	.39

ROUNDED DESIGN, SHOULDER SCREW — STEEL (INCH)

CL-1-RH	2	2	7/16	1/4-20	11/16	5/8	—	—
CL-2-RH	4	3-3/8	11/16	3/8-16	1	11/16	—	—
CL-3-RH	5	3-7/8	3/4	1/2-13	1-3/16	7/8	—	—

ROUNDED DESIGN, PRESS FIT — STEEL (INCH)

CL-4-RH	2	2-3/8	19/32	3/8	11/16	5/8	—	—
---------	---	-------	-------	-----	-------	-----	---	---

SQUARE DESIGN, THREADED — STAINLESS (METRIC)

PART NO.	SIZE	A	B	C	D DIA	E DIA	F	G
CLM-100-RH-S	1	1-1/2	9/32	M6	5/8	15/32	5/16	.20
CLM-200-RH-S	2	2	1/2					.25
CLM-300-RH-S	3	2-1/2	9/16	M8	3/4	15/32	3/8	.28
CLM-400-RH-S	4	3-1/4	5/8	M10	7/8	19/32	7/16	.32

ROUNDED DESIGN, THREADED — STAINLESS (INCH)

CLM-250-RH-S	2	2-1/4	1/2	M6	5/8	.44	5/16	.25
CLM-350-RH-S	3	2-13/16	9/16	M8	13/16	.53	3/8	.28
CLM-450-RH-S	4	3-3/8	5/8	M10	1	.63	7/16	.32
CLM-550-RH-S	5	4	3/4	M12	1-1/4	.75	5/8	.39

ROUNDED DESIGN, SHOULDER SCREW — STEEL (INCH)

CLM-1-RH	2	2	7/16	M6	13/16	3/4	—	—
CLM-2-RH	4	3-1/4	9/16	M10	1-1/4	15/16	—	—
CLM-3-RH	5	3-7/8	3/4	M12	1-1/2	1-1/8	—	—

REVOLVING HANDLES

BODY: BLACK PHENOLIC PLASTIC OR NYLON THERMOPLASTIC
 THREADED SPINDLE: MILD STEEL, ZINC PLATED CLEAR CHROMATE

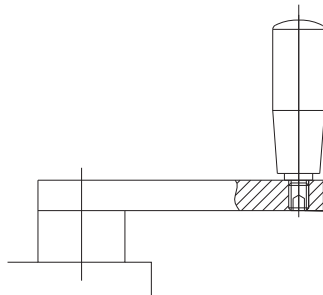


**Phenolic
with Steel Body**

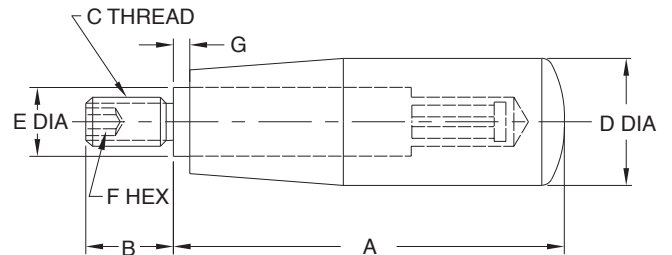


**Thermoplastic
with Steel Body**

Modern square-design handle with a threaded steel spindle. Revolving Handles have an internal bearing that allows the handle to remain fixed in your hand, for firm gripping while turning a Hand Wheel or crank. Threaded spindle has a hex socket for easy installation. Available in two handle materials: Black phenolic plastic (glossy smooth finish, extremely hard, electrical insulator, operating temperatures to 300°F, resistant to oils and most common chemicals) or matte black nylon thermoplastic (textured surface for secure gripping, excellent impact resistance, operating temperatures to 230°F).



Revolving Handles can be used to make custom crank handles.



INCH

PART NO. PHENOLIC	PART NO. THERMOPLASTIC	SIZE	A	B	C	D DIA	E DIA	F	G
CL-100-RH-F	CL-100-RH-P	1	1.67	.47	1/4-20	.71	.39	3mm	.10
CL-200-RH-F	CL-200-RH-P	2	2.07	.51		.83			
CL-300-RH-F	CL-300-RH-P	3	2.66	.55	5/16-18	.91	4mm		
CL-400-RH-F	CL-400-RH-P	4	3.25	.63	3/8-16	1.02	5mm		
CL-500-RH-F	—	5	4.12	.79	1/2-13	1.22	6mm		

METRIC

CLM-100-RH-F	CLM-100-RH-P	1	1.67	.47	M6	.71	.39	3mm	.10
CLM-200-RH-F	CLM-200-RH-P	2	2.07	.51	M6	.83		3mm	
CLM-201-RH-F	—				M8	4mm			
CLM-300-RH-F	CLM-300-RH-P	3	2.66	.55	M8	.91	.51	4mm	
CLM-400-RH-F	CLM-400-RH-P	4	3.25	.63	M10	1.02	5mm		
CLM-500-RH-F	—	5	4.12	.79	M12	1.22	.55	6mm	

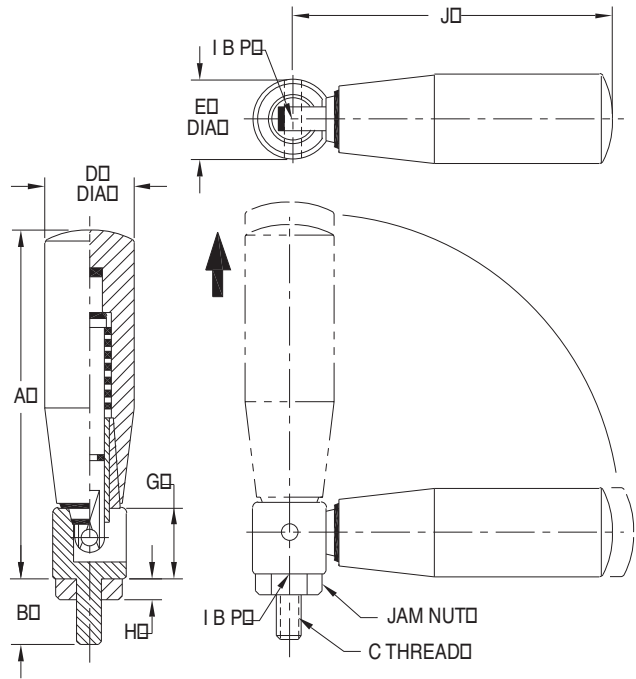
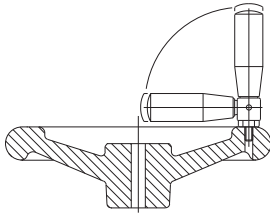
FOLDABLE REVOLVING HANDLES

BODY: 300-SERIES STAINLESS STEEL. HANDLE: BLACK THERMOPLASTIC



Thermoplastic with Stainless Steel Body

Unique revolving handle that can fold away when not in use. Handle is positively locked in extended position. Like other revolving handles, this foldable handle has an internal bearing that allows it to remain fixed in your hand, for firm gripping, while turning a hand wheel or crank. To allow folding, the handle must first be pulled outward, against a spring force, then moved 90°. Once folded, the handle is held in that position also by spring force.



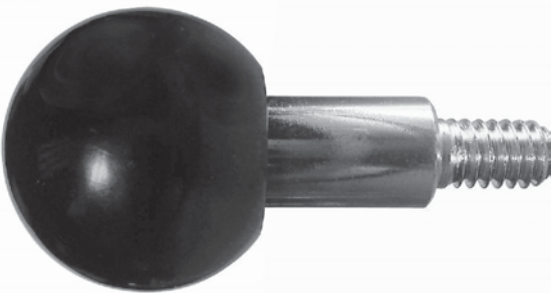
INCH

PART NO.	SIZE	A	B	C	D DIA	E DIA	G	H	J
CL-200-FRH-S	2	2-1/2	5/8	1/4-20	7/8	.63	1/2	11/64	2-3/8
CL-300-FRH-S	3	3-1/4	3/4	5/16-18	15/16	.78	5/8	13/64	3-1/8
CL-400-FRH-S	4	3-3/4	7/8	3/8-16	1	.78	5/8	15/64	3-5/8

To install handle in tapped hole, screw in as far as possible, then back off until the handle is at the desired orientation. Tighten Jam Nut to secure at that orientation.

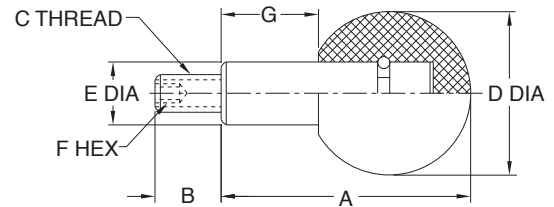
REVOLVING BALL HANDLES

BALL KNOB: BLACK PHENOLIC PLASTIC
 THREADED SPINDLE: MILD STEEL, BLACK OXIDE FINISH OR ZINC PLATED CLEAR CHROMATE



Phenolic with Steel Body

Revolving handle with a ball knob made of phenolic plastic and a threaded steel spindle. This version is especially useful for hand wheels or cranks mounted horizontally with the handle used as a hand rest. Revolving Ball Handles have an internal bearing that allows the handle to remain fixed in your hand, for firm gripping. Threaded spindle has a hex socket for easy installation.



INCH

PART NO.	SIZE	A	B	C	D DIA	E DIA	F	G
CL-200-RBH	2	1.48	.43	1/4-20	.98	.39	3mm	.59
CL-300-RBH	3	1.89	.51	5/16-18	1.26	.51	4mm	.75
CL-400-RBH	4	2.40	.55	3/8-16	1.57	.63	5mm	.94
CL-500-RBH	5	3.07	.83	1/2-13	1.97	.79	6mm	1.22

METRIC

CLM-200-RBH	2	1.48	.43	M6	.98	.39	3mm	.59
CLM-300-RBH	3	1.89	.51	M8	1.26	.51	4mm	.75
CLM-400-RBH	4	2.40	.55	M10	1.57	.63	5mm	.94
CLM-500-RBH	5	3.07	.83	M12	1.97	.79	6mm	1.22

LEVER HANDLES

300-SERIES STAINLESS STEEL



**Single
Lever Handle**

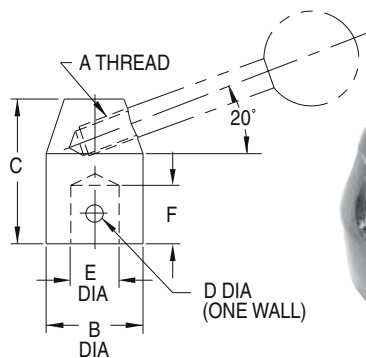


**Triple
Lever Handle**

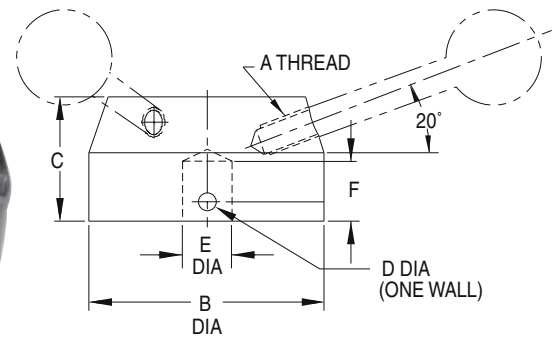
Fast, efficient levers that provide high torque. These attractive Lever Handles are made of 300-series stainless steel, polished to a beautiful finish. Hubs are available in single-handle or triple-handle versions, each in two sizes. Lever Handles can be totally customized by choosing Lever Bar length (**INFO+**: see page 130) and Knob type (**INFO+**: see pages 139-146).



Single Hub



Triple Hub



SINGLE LEVER HANDLE — ORDER HUB, LEVER BAR, AND KNOB SEPARATELY (INCH)

PART NO. HUB ONLY	A	B DIA	C	D DIA	E	F	PART NO. LEVER BAR	PART NO. KNOB
CL-116-LHH-S	5/16-18	1	1-1/2	1/8	3/8 DIA REAMED	5/8	INFO+ : SEE PAGE 130	INFO+ : SEE PAGES 139-146
CL-1160-LHH-S				—	3/8-16 TAPPED	9/16		
CL-128-LHH-S	3/8-16	1-1/4	1-7/8	5/32	1/2 DIA REAMED	3/4		
CL-1280-LHH-S				—	1/2-13 TAPPED	11/16		

TRIPLE LEVER HANDLE — ORDER HUB, LEVER BARS, AND KNOBS SEPARATELY (INCH)

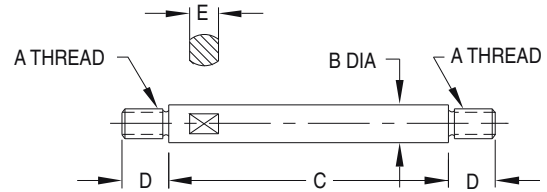
CL-316-LHH-S	5/16-18	2	1	3/16	3/8 DIA REAMED	3/4	INFO+ : SEE PAGE 130	INFO+ : SEE PAGES 139-146
CL-328-LHH-S	3/8-16	2-3/8	1-3/16	3/16	1/2 DIA REAMED	7/8		

LEVER BARS

300-SERIES STAINLESS STEEL

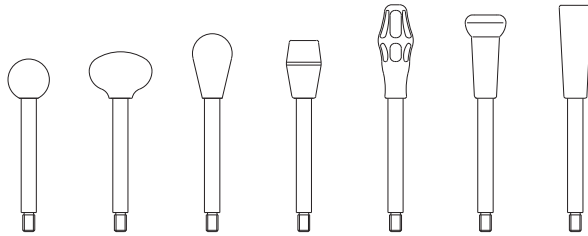


Versatile Lever Bars available in three diameters, each in several lengths. 300-series stainless steel polished to a beautiful finish. **INFO+**: Can be used with the hubs on page 129 to make lever handles. Wrench flat allows firm tightening.



INCH

PART NO.	A	B DIA	C	D	E
CL-515-LVB-S	5/16-18	.39	1.5	7/16	5/16
CL-522-LVB-S			2.2		
CL-530-LVB-S			3.0		
CL-540-LVB-S			4.0		
CL-555-LVB-S		5.5			
CL-620-LVB-S	3/8-16	.47	2.0	1/2	3/8
CL-627-LVB-S			2.7		
CL-637-LVB-S			3.7		
CL-647-LVB-S			4.7		
CL-660-LVB-S			6.0		
CL-837-LVB-S	1/2-13	.55	3.7	5/8	7/16
CL-847-LVB-S			4.7		
CL-857-LVB-S			5.7		
CL-867-LVB-S			6.7		



Carr Lane
MANUFACTURING CO.

Hoist Rings



Many Varieties
Of Hoist Rings

**Trusted to Move Your
Most Important Materials.**

- Swivel Hoist Rings
- Pivoting Hoist Rings
- Safety Hoist Rings
- Lifting Eyes
- Side-Pull Hoist Rings

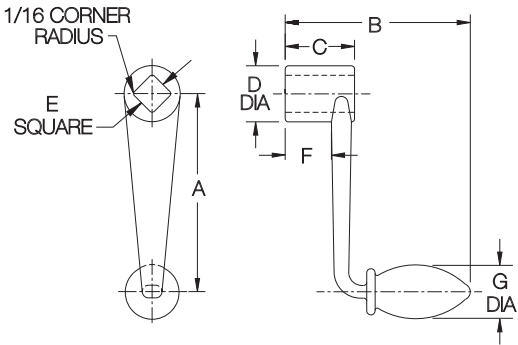
See Pages 65-82

CRANK HANDLES

NODULAR IRON PER ASTM A536 CLASS 65-45-12, ZINC PLATED CLEAR CHROMATE



Rugged crank handle with a comfortable grip. Choice of three sizes that fit all common square drives.



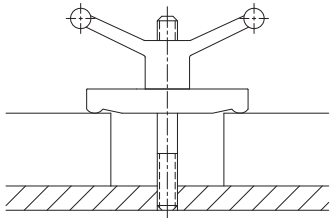
PART NO.	SQUARE DRIVE SIZE	A	B	C	D DIA	E	F	G DIA
CL-0-H	3/8 or 10mm	2-1/4	3	1	7/8	13/32	5/8	5/8
CL-1-H	1/2 or 12mm	3-3/4	4-3/16	1-5/16	1-1/16	17/32	7/8	7/8
CL-2-H	5/8 or 16mm	5-1/4	5-1/2	2-1/2	1-3/8	21/32	1-3/4	1

SPEED BALL HANDLES

NODULAR IRON PER ASTM-A536 CLASS 65-45-12, ZINC PLATED CLEAR CHROMATE



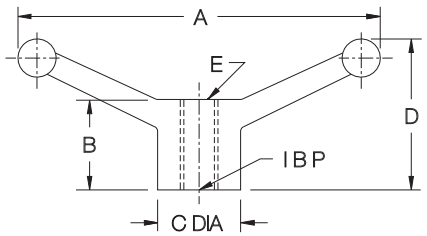
Speed handles that are weighted for quick turning. Long arm extensions provide excellent leverage for hand tightening.



Double Arm

DOUBLE ARM (INCH & METRIC)

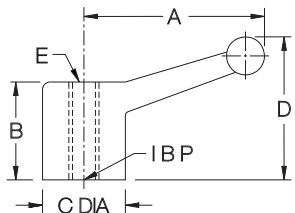
PART NO.	A	B	C DIA	D	E
CL-4-SBH	4-7/8	1-5/8	1-1/8	2-1/4	BLANK
CL-44-SBH					1/2-13
CLM-44-SBH					M12
CL-6-SBH	6	1-5/8	1-3/8	2-3/8	BLANK
CL-64-SBH					5/8-11
CLM-64-SBH					M16
CL-8-SBH	8	1-13/16	1-3/4	2-7/8	BLANK
CL-84-SBH					3/4-10
CLM-84-SBH					M20



Single Arm

SINGLE ARM (INCH & METRIC)

PART NO.	A	B	C DIA	D	E
CL-5-SBH	3	1-5/8	1-3/8	2-3/8	BLANK
CL-55-SBH					1/2-13
CL-59-SBH					5/8-11
CLM-55-SBH					M12
CLM-59-SBH					M16
CL-7-SBH	4-3/8	2	1-5/8	3-1/2	BLANK
CL-75-SBH					3/4-10
CLM-75-SBH					M20



BALANCED CRANK HANDLES

300-SERIES STAINLESS STEEL

3



**Rounded Handle
(Solid or Revolving)
Stainless Steel**

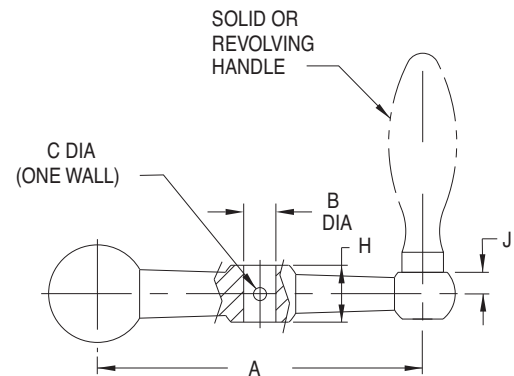
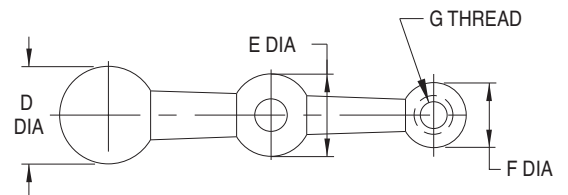


**Square Handle
(Solid or Revolving)
Stainless Steel**

High-quality, stainless steel crank handle with a beautiful polished finish. Handle is balanced for smooth operation, and so that no rotation occurs due to handle weight. The reamed center hole is cross-drilled in one wall for easy installation by pinning. Order body and handle separately, with a choice of four handle types:

INFO+:

- Rounded-design Solid Handle (p. 125)
- Rounded-design Revolving Handle (p. 126)
- Square-design Solid Handle (p. 125)
- Square-design Revolving Handle (p. 126)



ORDER BODY AND SOLID/REVOLVING HANDLE SEPARATELY

PART NO. BODY ONLY	A	B DIA	C DIA	D DIA	E DIA	F DIA	G	H	J	PART NO. — SOLID OR REVOLVING HANDLE			
										ROUNDED SOLID	ROUNDED REVOLVING	SQUARE SOLID	SQUARE REVOLVING
CL-20-CHB-S	2-1/2	5/16	1/8	1	3/4	5/8	1/4-20	9/16	1/4	CL-250-SH-S	CL-250-RH-S	CL-200-SH-S	CL-200-RH-S
CL-30-CHB-S	3-1/8	3/8	5/32	1-1/4	1	3/4	5/16-18	11/16	5/16	CL-350-SH-S	CL-350-RH-S	CL-300-SH-S	CL-300-RH-S
CL-40-CHB-S	4												
CL-50-CHB-S	5	1/2	3/16	1-1/2	1-1/4	1	3/8-16	7/8	3/8	CL-450-SH-S	CL-450-RH-S	CL-400-SH-S	CL-400-RH-S
CL-51-CHB-S		5/8*											

*1/8" Square keyway on this size only.

CRANK HANDLES

CRANK BODY & REVOLVING HANDLE: MATTE BLACK THERMOPLASTIC
 HUB: MILD STEEL, BLACK OXIDE FINISH
 CENTER TRIM COVER: ALUMINUM, MATTE ANODIZED
 REVOLVING HANDLE SPINDLE: MILD STEEL, ZINC PLATED CLEAR CHROMATE



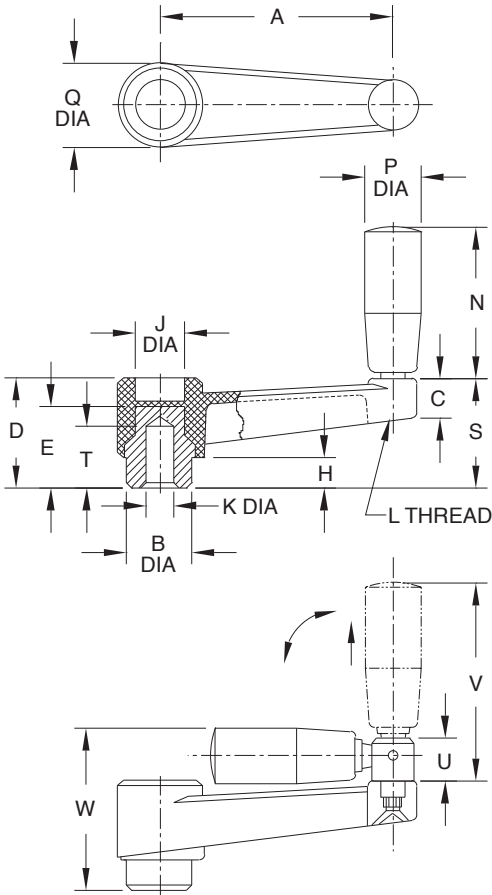
**Thermoplastic
with
Revolving Handle**



**Thermoplastic
with
Foldable Revolving Handle**

**ELESA
ORIGINAL
DESIGN**

High-quality, fiber-reinforced technopolymer Crank Handle, available in five sizes. High-strength design suitable for heavy-duty applications. Matte black high-strength thermoplastic (resistant to oils, solvents, and grease; excellent impact resistance, operating temperatures to 230°F). Molded-in steel hub, blank with a pilot hole. Center trim cover is self-adhesive (apply after modifying hub). Furnished with a Revolving Handle or a Foldable Revolving Handle. Foldable handle is positively locked in extended position. To allow folding, the handle must first be pulled outward, against a spring force, then folded 90°. Once folded, the handle is held in that position also by spring force.



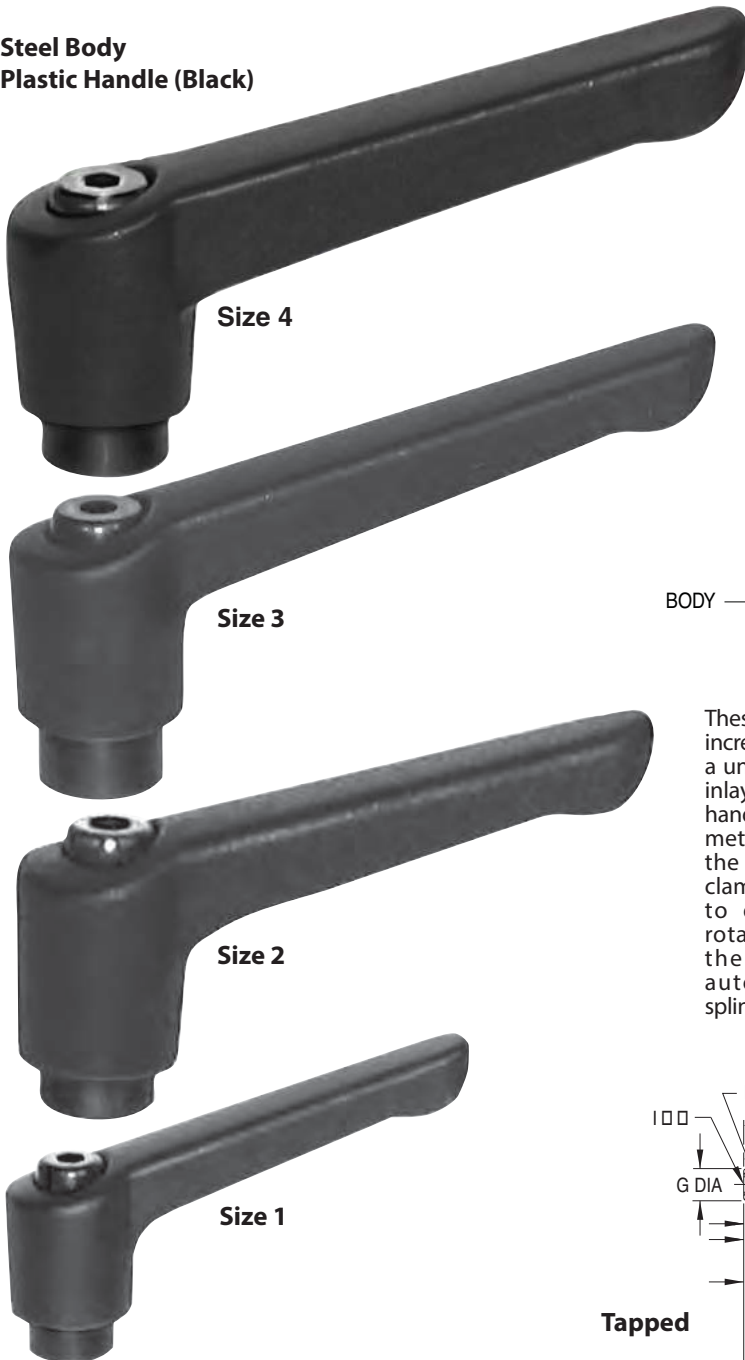
PART NO. WITH REVOLVING HANDLE	PART NO. WITH FOLDABLE REVOLVING HANDLE	A	B DIA	C	D	E	H	J DIA	K DIA	L	N	P DIA	Q DIA	S	T	U	V	W
CL-21-CHP	—	2.52	.71	.51	1.30	1.14	.39	.63	.236	M6	1.57	.71	1.06	1.30	.71	—	—	—
CL-31-CHP	CL-32-CHP	3.15	.87	.51	1.42	1.26	.39	.67	.236	M6	1.97	.83	1.18	1.42	1.02	.59	2.95	2.20
CL-41-CHP	CL-42-CHP	3.94	.94	.63	1.57	1.46	.39	.83	.315	M8	2.56	.91	1.34	1.61	1.10	.79	3.43	2.48
CL-51-CHP	CL-52-CHP	5.12	1.10	.63	1.93	1.73	.55	.98	.394	M10	3.15	1.02	1.57	1.97	1.18	.79	3.43	2.80
CL-61-CHP	CL-62-CHP	6.30	1.34	.71	2.17	1.93	.59	1.06	.394	M10	3.54	1.10	1.77	2.20	1.18	.79	4.09	3.11

ADJUSTABLE HANDLES

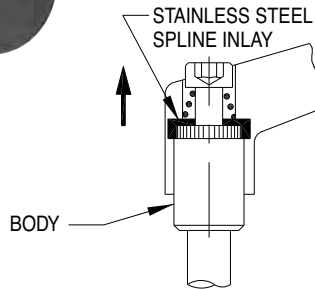
HANDLE: FIBER-REINFORCED THERMOPLASTIC WITH STAINLESS STEEL INSERT
 BODY, SCREW, AND SPRING: STEEL, BLACK OXIDE FINISH

Steel Body
Plastic Handle (Black)

3

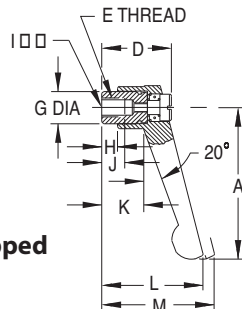


Adjustable handle that can be reset to any angle. Ideal for clamping in a confined space, or when a specific handle position is desired. Available in steel (with a black plastic handle) or stainless steel (with a metallic-gray plastic handle, **INFO+** see page 135). Rugged spring-loaded spline mechanism. Choice of four handle sizes. Available with a tapped hole or with an integral stud. Note: Catalog photos above are actual size.

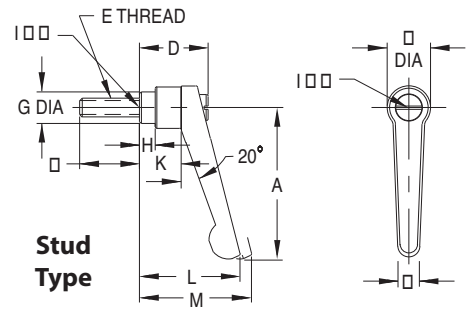


These Adjustable Handles are incredibly strong! They feature a unique stainless steel spline inlay, molded into the plastic handle. This provides positive metal-to-metal mating with the serrated body, for high clamping torque. Lift handle to disengage serrations, rotate to desired position, then release handle to automatically re-engage spline.

Tapped



Stud Type



GENERAL DIMENSIONS

SIZE	A	B DIA	C	D	G DIA	H	K	L	M
1	1-3/4	19/32	5/16	31/32	3/8	5/32	7/16	1-3/8	1-1/2
2	2-1/2	3/4	13/32	1-7/32	17/32	1/4	13/16	1-25/32	1-15/16
3	3-1/16	7/8	17/32	1-7/16	5/8	5/16	7/8	2-5/32	2-5/16
4	3-5/8	1	9/16	1-11/16	3/4	7/16	1-3/16	2-9/16	2-23/32

TAPPED (INCH)

PART NO. STEEL BLACK	SIZE	E	J
CL-3-AHP-1	1	#10-32	.31
CL-4-AHP-1		1/4-20	
CL-4-AHP-2	2	1/4-20	.39
CL-5-AHP-2		5/16-18	
CL-5-AHP-3	3	5/16-18	.55
CL-6-AHP-3		3/8-16	
CL-6-AHP-4	4	3/8-16	.67
CL-8-AHP-4		1/2-13	

TAPPED (METRIC)

CLM-6-AHP-1	1	M6	.31
CLM-8-AHP-2	2	M8	.39
CLM-10-AHP-3	3	M10	.55
CLM-12-AHP-4	4	M12	.67

STUD TYPE (INCH)

PART NO. STEEL BLACK	SIZE	E	F
CL-408-AHP-1	1	1/4-20	.78
CL-416-AHP-1		1.57	
CL-508-AHP-2	2	5/16-18	.78
CL-516-AHP-2		1.57	
CL-525-AHP-2	3	3/8-16	2.48
CL-610-AHP-3		.98	
CL-616-AHP-3	4	1/2-13	1.57
CL-625-AHP-3		2.48	
CL-813-AHP-4	4	1.26	1.57
CL-816-AHP-4		2.48	

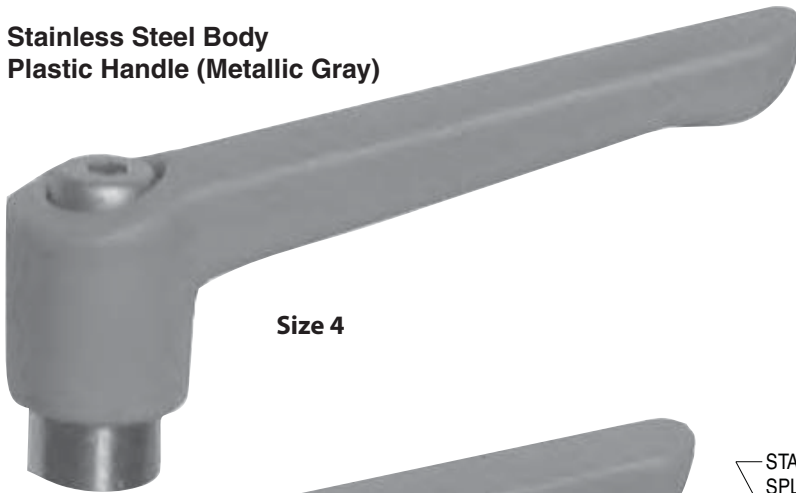
STUD TYPE (METRIC)

CLM-620-AHP-1	1	M6	.78
CLM-640-AHP-1		1.57	
CLM-820-AHP-2	2	M8	.78
CLM-840-AHP-2		1.57	
CLM-1030-AHP-3	3	M10	1.26
CLM-1050-AHP-3		1.97	
CLM-1230-AHP-4	4	M12	1.26
CLM-1250-AHP-4		1.97	

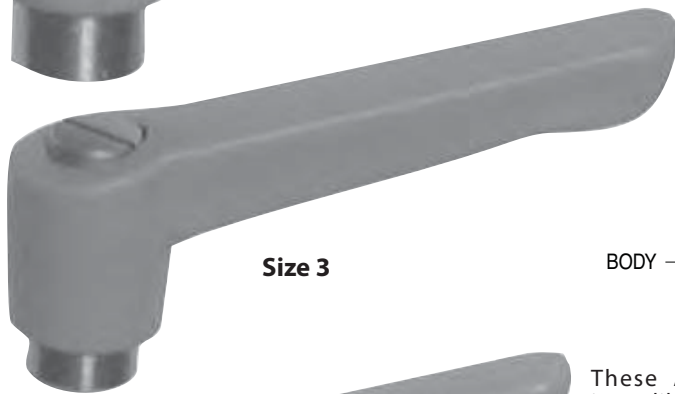
ADJUSTABLE HANDLES

HANDLE: FIBER-REINFORCED THERMOPLASTIC WITH STAINLESS STEEL INSERT
BODY, SCREW, AND SPRING: 300-SERIES STAINLESS STEEL

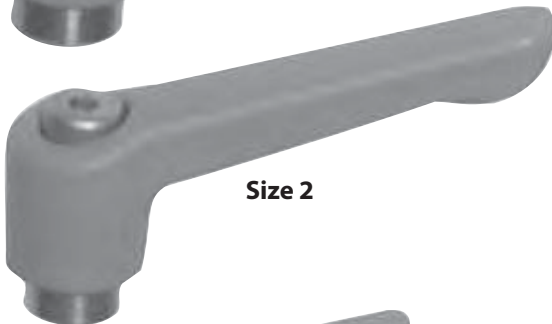
Stainless Steel Body
Plastic Handle (Metallic Gray)



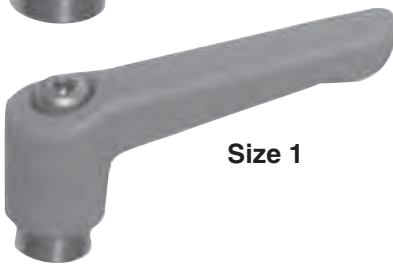
Size 4



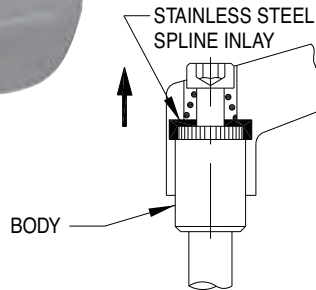
Size 3



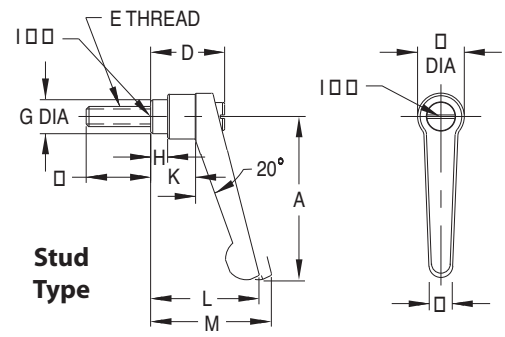
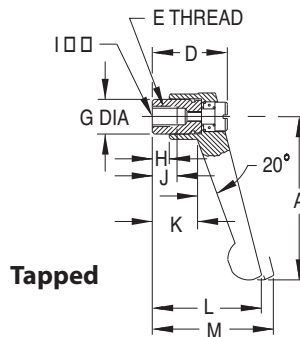
Size 2



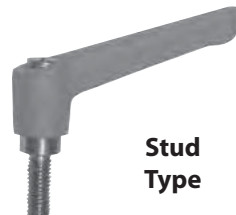
Size 1



These Adjustable Handles are incredibly strong! They feature a unique stainless steel spline inlay, molded into the plastic handle. This provides positive metal-to-metal mating with the serrated body, for high clamping torque. Lift handle to disengage serrations, rotate to desired position, then release handle to automatically re-engage spline.



Adjustable handle that can be reset to any angle. Ideal for clamping in a confined space, or when a specific handle position is desired. Available in stainless steel (with a metallic-gray plastic handle), or steel (with a black plastic handle, **INFO+**: see page 134). Rugged spring-loaded spline mechanism. Choice of four handle sizes. Available with a tapped hole or with an integral stud. Note: Catalog photos above are actual size.



Stud Type

TAPPED (INCH)

PART NO. STAINLESS METALLIC GRAY	SIZE	E	J
CL-3-AHP-1-S	1	#10-32	.31
CL-4-AHP-1-S		1/4-20	
CL-4-AHP-2-S	2	1/4-20	.39
CL-5-AHP-2-S		5/16-18	
CL-5-AHP-3-S	3	5/16-18	.55
CL-6-AHP-3-S		3/8-16	
CL-6-AHP-4-S	4	3/8-16	.67
CL-8-AHP-4-S		1/2-13	

TAPPED (METRIC)

CLM-6-AHP-1-S	1	M6	.31
CLM-8-AHP-2-S	2	M8	.39
CLM-10-AHP-3-S	3	M10	.55
CLM-12-AHP-4-S	4	M12	.67

STUD TYPE (INCH)

PART NO. STAINLESS METALLIC GRAY	SIZE	E	F
CL-408-AHP-1-S	1	1/4-20	.78
CL-416-AHP-1-S			1.57
CL-508-AHP-2-S	2	5/16-18	.78
CL-516-AHP-2-S			1.57
CL-525-AHP-2-S			2.48
CL-610-AHP-3-S	3	3/8-16	.98
CL-616-AHP-3-S			1.57
CL-625-AHP-3-S			2.48
CL-813-AHP-4-S	4	1/2-13	1.26
CL-816-AHP-4-S			1.57
CL-825-AHP-4-S			2.48

STUD TYPE (METRIC)

CLM-620-AHP-1-S	1	M6	.78
CLM-640-AHP-1-S			1.57
CLM-820-AHP-2-S	2	M8	.78
CLM-840-AHP-2-S			1.57
CLM-1030-AHP-3-S			1.26
CLM-1050-AHP-3-S	3	M10	1.97
CLM-1230-AHP-4-S			1.26
CLM-1250-AHP-4-S			1.97

GENERAL DIMENSIONS

SIZE	A	B DIA	C	D	G DIA	H	K	L	M
1	1-3/4	19/32	5/16	31/32	3/8	5/32	7/16	1-3/8	1-1/2
2	2-1/2	3/4	13/32	1-7/32	17/32	1/4	13/16	1-25/32	1-15/16
3	3-1/16	7/8	17/32	1-7/16	5/8	5/16	7/8	2-5/32	2-5/16
4	3-5/8	1	9/16	1-11/16	3/4	7/16	1-3/16	2-9/16	2-23/32

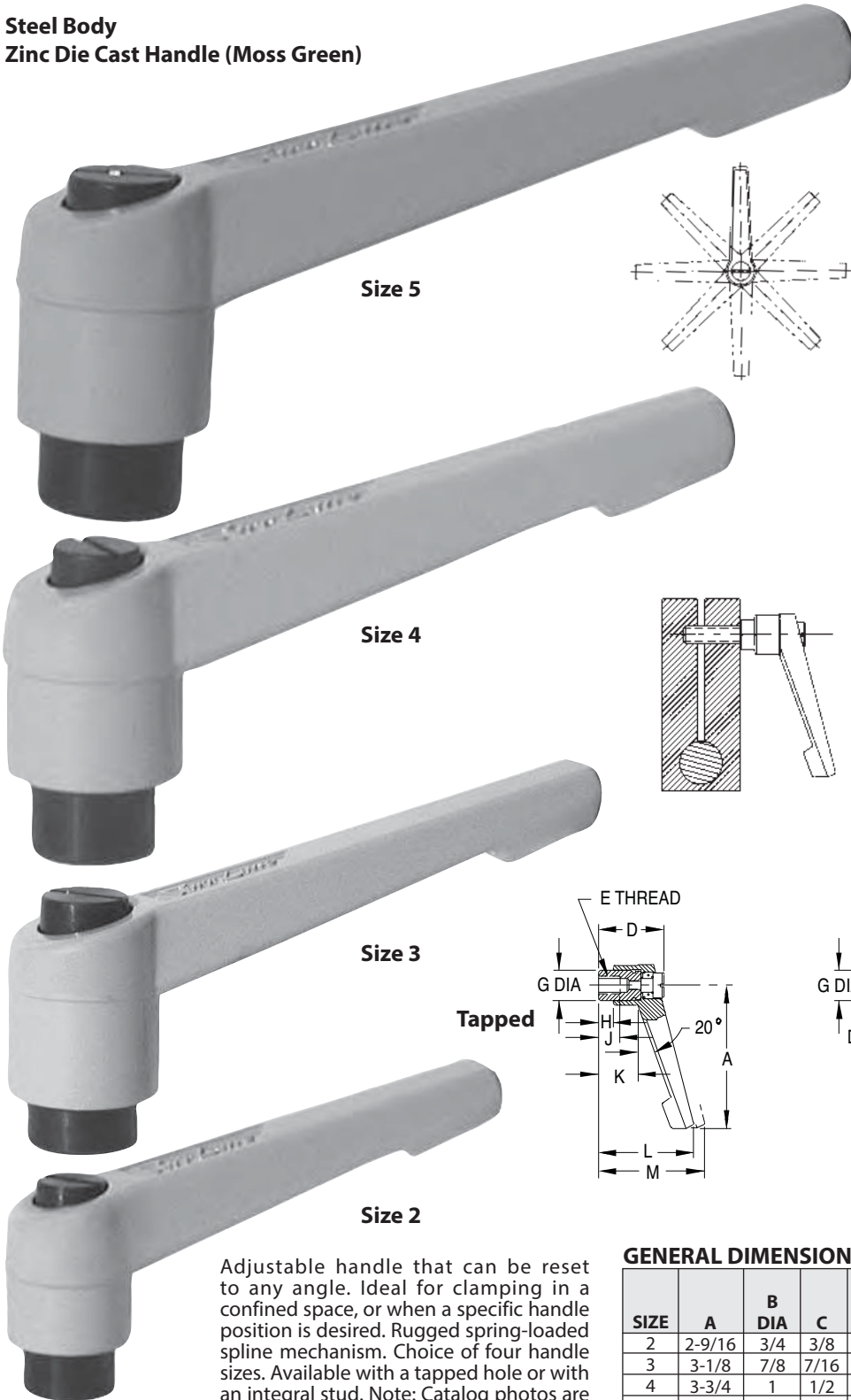
ADJUSTABLE HANDLES

HANDLE: ZINC DIE CASTING; ENAMEL PAINT
 BODY: 12L14 STEEL, BLACK OXIDE FINISH. SPRING: MUSIC WIRE

Steel Body

Zinc Die Cast Handle (Moss Green)

3



Adjustable handle that can be reset to any angle. Ideal for clamping in a confined space, or when a specific handle position is desired. Rugged spring-loaded spline mechanism. Choice of four handle sizes. Available with a tapped hole or with an integral stud. Note: Catalog photos are actual size.

TAPPED (INCH)

PART NO.	SIZE	E	J
CL-4-AH-2	2	1/4-20	1/2
CL-5-AH-2		5/16-18	
CL-5-AH-3	3	5/16-18	9/16
CL-6-AH-3		3/8-16	
CL-6-AH-4	4	3/8-16	5/8
CL-8-AH-4		1/2-13	
CL-8-AH-5	5	1/2-13	7/8
CL-10-AH-5		5/8-11	

TAPPED (METRIC)

PART NO.	SIZE	M	J
CLM-8-AH-2	2	M8	1/2
CLM-10-AH-3	3	M10	9/16
CLM-12-AH-4	4	M12	5/8
CLM-16-AH-5	5	M16	7/8

STUD TYPE (INCH)

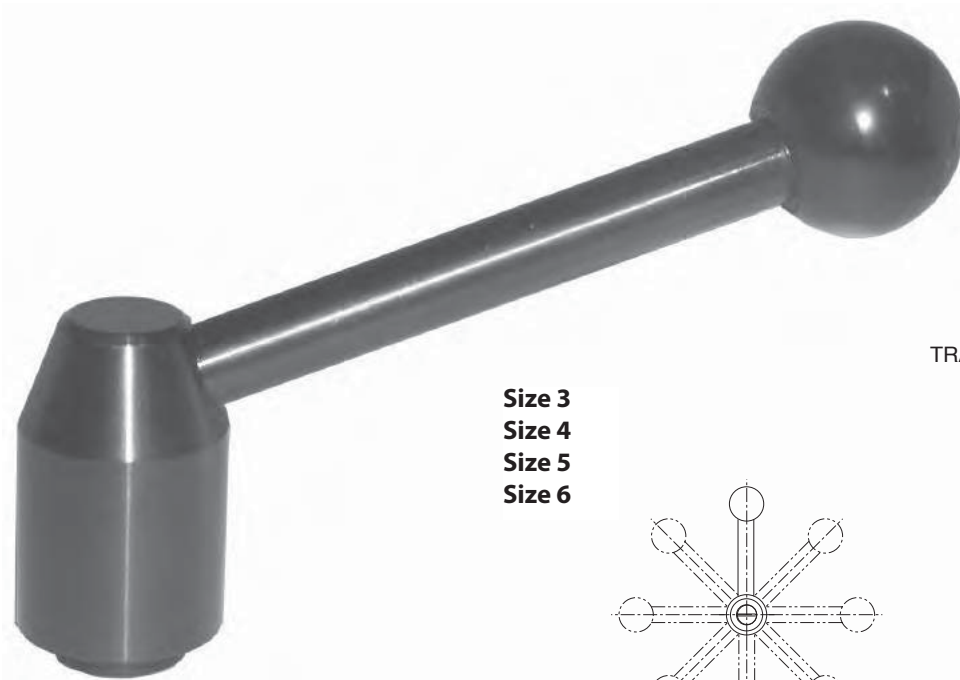
PART NO.	SIZE	E	F
CL-510-AH-2	2	5/16-18	1
CL-515-AH-2			1-1/2
CL-520-AH-2	3	3/8-16	2
CL-610-AH-3			1
CL-615-AH-3	4	1/2-13	1-1/2
CL-620-AH-3			2
CL-810-AH-4	5	5/8-11	1
CL-815-AH-4			1-1/2
CL-820-AH-4	3	3	2
CL-830-AH-4			3
CL-1015-AH-5	2	2	1-1/2
CL-1020-AH-5			2
CL-1030-AH-5	3	3	3

GENERAL DIMENSIONS

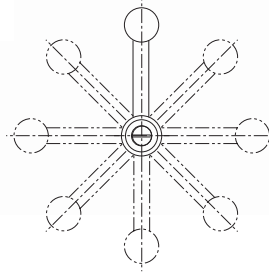
SIZE	A	B DIA	C	D	G DIA	H	K	L	M
2	2-9/16	3/4	3/8	1-1/8	17/32	1/4	11/16	1-11/16	1-7/8
3	3-1/8	7/8	7/16	1-1/2	5/8	13/32	15/16	2-3/16	2-5/16
4	3-3/4	1	1/2	1-11/16	3/4	13/32	1-1/16	2-1/2	2-11/16
5	4-5/16	1-1/4	5/8	2	15/16	15/32	1-5/16	2-15/16	3-1/8

ADJUSTABLE LEVER HANDLES

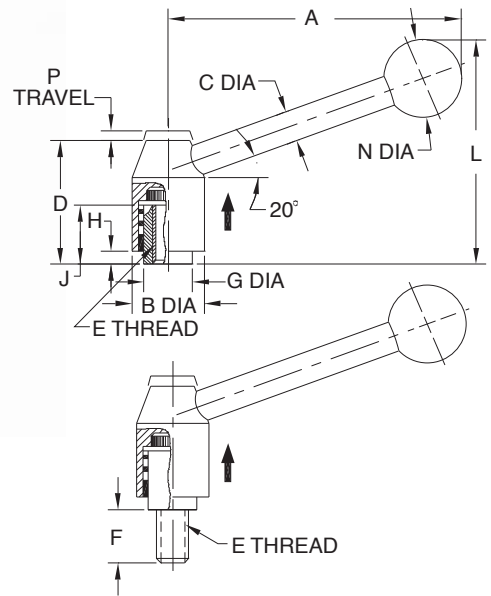
LEVER ARM, HUB, INSERT, AND SPRING: MILD STEEL, BLACK OXIDE FINISH
BALL KNOB: BLACK PHENOLIC PLASTIC



Size 3
Size 4
Size 5
Size 6



Steel



Heavy-duty adjustable handle that can be reset to any angle. Ideal for clamping in a confined space, or when a specific handle position is desired. Rugged spring-loaded spline mechanism. Lift handle to disengage serrations, rotate to desired position, then release handle to automatically re-engage spline. Available with a tapped hole or an integral stud.

STEEL — TAPPED (INCH)

PART NO.	SIZE	A	B DIA	C DIA	D	E	F	G	H	J	L	N DIA	P
CL-6-AHL-3	3	3.94	.94	.39	1.57	3/8-16	—	.63	.10	.55	2.95	.98	.18
CL-8-AHL-4	4	4.53	1.10	.47	1.91	1/2-13	—	.75	.18	.67	3.54	1.18	.18
CL-10-AHL-5	5	5.12	1.30	.47	2.17	5/8-11	—	.91	.24	.91	3.94	1.26	.22
CL-12-AHL-6	6	5.71	1.57	.55	2.68	3/4-10	—	1.10	.24	1.42	4.33	1.38	.22

STEEL — TAPPED (METRIC)

CLM-10-AHL-3	3	3.94	.94	.39	1.57	M10	—	.63	.10	.55	2.95	.98	.18
CLM-12-AHL-4	4	4.53	1.10	.47	1.91	M12	—	.75	.18	.67	3.54	1.18	.18
CLM-16-AHL-5	5	5.12	1.30	.47	2.17	M16	—	.91	.24	.91	3.94	1.26	.22
CLM-20-AHL-6	6	5.71	1.57	.55	2.68	M20	—	1.10	.24	1.42	4.33	1.38	.22

STEEL — STUD TYPE (INCH)

CL-613-AHL-3	3	3.94	.94	.39	1.57	3/8-16	1.26	.63	.10	—	2.95	.98	.18
2.48													
CL-813-AHL-4	4	4.53	1.10	.47	1.91	1/2-13	1.26	.75	.18	—	3.54	1.18	
2.48													
CL-1016-AHL-5	5	5.12	1.30	.47	2.17	5/8-11	1.57	.91	.24	—	3.94	1.26	
2.48													
CL-1025-AHL-5	5	5.12	1.30	.47	2.17	5/8-11	1.57	.91	.24	—	3.94	1.26	.22

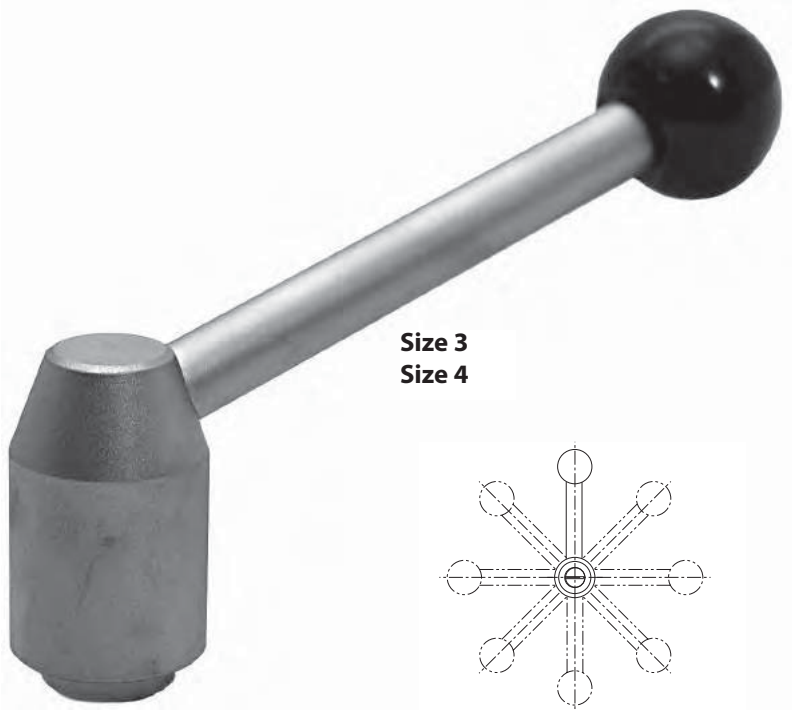
STEEL — STUD TYPE (METRIC)

CLM-1050-AHL-3	3	3.94	.94	.39	1.57	M10	1.97	.63	.10	—	2.95	.98	.18
CLM-1250-AHL-4	4	4.53	1.10	.47	1.91	M12	1.97	.75	.18	—	3.54	1.18	.18
CLM-1650-AHL-5	5	5.12	1.30	.47	2.17	M16	1.97	.91	.24	—	3.94	1.26	.22

ADJUSTABLE LEVER HANDLES

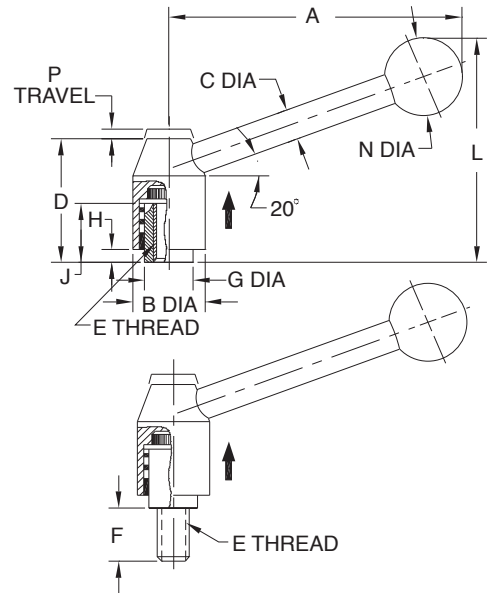
LEVER ARM, HUB, INSERT, AND SPRING: STAINLESS STEEL
BALL KNOB: PHENOLIC PLASTIC

3



Size 3
Size 4

Stainless Steel



Heavy-duty stainless steel adjustable handle that can be reset to any angle. Ideal for clamping in a confined space, or when a specific handle position is desired. Rugged spring-loaded spline mechanism. Lift handle to disengage serrations, rotate to desired position, then release handle to automatically re-engage spline. Available with a tapped hole or an integral stud.

STAINLESS STEEL — TAPPED (INCH)

PART NO.	SIZE	A	B DIA	C DIA	D	E	F	G	H	J	L	N DIA	P
CL-6-AHL-3-S	3	3.94	.94	.39	1.57	3/8-16	—	.63	.10	.55	2.95	.98	.18
CL-8-AHL-4-S	4	4.53	1.10	.47	1.91	1/2-13	—	.75	.18	.67	3.54	1.18	.18

STAINLESS STEEL — TAPPED (METRIC)

CLM-10-AHL-3-S	3	3.94	.94	.39	1.57	M10	—	.63	.10	.55	2.95	.98	.18
CLM-12-AHL-4-S	4	4.53	1.10	.47	1.91	M12	—	.75	.18	.67	3.54	1.18	.18

STAINLESS STEEL — STUD TYPE (INCH)

CL-613-AHL-3-S	3	3.94	.94	.39	1.57	3/8-16	1.26	.63	.10	—	2.95	.98	.18
CL-625-AHL-3-S							2.48						
CL-813-AHL-4-S	4	4.53	1.10	.47	1.91	1/2-13	1.26	.75	.18	—	3.54	1.18	.18
CL-825-AHL-4-S							2.48						

STAINLESS STEEL — STUD TYPE (METRIC)

CLM-1050-AHL-3-S	3	3.94	.94	.39	1.57	M10	1.97	.63	.10	—	2.95	.98	.18
CLM-1250-AHL-4-S	4	4.53	1.10	.47	1.91	M12	1.97	.75	.18	—	3.54	1.18	.18

BALL KNOBS

BLACK PHENOLIC, THERMOPLASTIC, OR CUSHION GRIP PLASTIC WITH BRASS INSERT

Phenolic — Tapped



3/8-16 CL-852-PB
3/8-24 CL-854-PB
1/2-13 CL-872-PB
5/8-18 CL-882-PB
M10 CLM-852-PB
M12 CLM-872-PB
M16 CLM-882-PB



3/8-16 CL-752-PB
1/2-13 CL-772-PB
M10 CLM-752-PB
M12 CLM-772-PB



1/4-20 CL-632-PB
5/16-18 CL-642-PB
3/8-16 CL-652-PB
3/8-24 CL-654-PB
1/2-13 CL-672-PB
1/2-20 CL-674-PB
M10 CLM-652-PB
M12 CLM-672-PB



1/4-20 CL-532-PB
5/16-18 CL-542-PB
3/8-16 CL-552-PB
3/8-24 CL-554-PB
M8 CLM-542-PB
M10 CLM-552-PB



#10-32 CL-424-PB
1/4-20 CL-432-PB
1/4-28 CL-234-PB
5/16-18 CL-442-PB
5/16-24 CL-444-PB
3/8-16 CL-452-PB
M6 CLM-432-PB
M8 CLM-442-PB



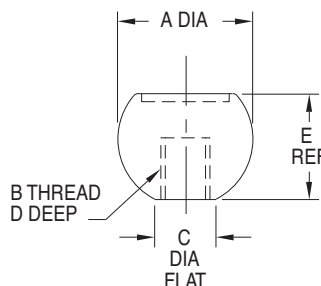
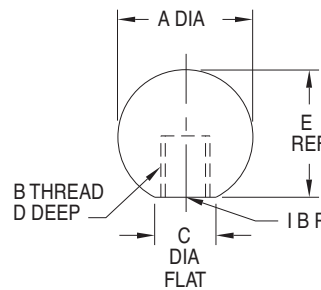
#8-32 CL-212-PB
#10-32 CL-224-PB
1/4-20 CL-232-PB
M5 CLM-222-PB
M6 CLM-232-PB

Phenolic — Tapped Recessed Top



3/8-16 CL-856-PB
3/8-24 CL-858-PB
1/2-13 CL-876-PB

* This size is solid plastic, without a brass insert.



Durable multi-purpose knob, suitable for many applications. Molded-in brass insert provides superior thread strength. Choice of seven ball sizes. The largest size is available with a recessed top (1-1/4" dia) for adding custom decals or inlays. Non-standard thread sizes, molded-in studs, or special colors (thermoplastic and cushion grip only) are available in quantities of 500 and above. Note: Catalog photos are actual size.

Choose From Three Materials

1. Phenolic plastic — glossy smooth finish, extremely hard, electrical insulator, operating temperatures to 300°F, resistant to oils and most common chemicals.
2. Thermoplastic — textured surface for improved gripping, excellent impact resistance, operating temperatures to 150°F.
3. Cushion Grip — unique plastic that feels soft to the touch, matte finish, comfortable yet rugged, excellent impact resistance, operating temperatures to 150°F, excellent gripability even when wet or oily, absorbs vibration.

PHENOLIC — TAPPED (INCH & METRIC)

PART NO.	A DIA	B	C DIA	D	E
CL-212-PB	3/4	#8-32	3/8	3/8	45/64
CL-224-PB		#10-32			
CL-232-PB		1/4-20			
CLM-222-PB		M5			
CLM-232-PB		M6			
CL-424-PB	1	#10-32	1/2	7/16	31/32
CL-432-PB		1/4-20			
CL-234-PB		1/4-28			
CL-442-PB		5/16-18			
CL-444-PB		5/16-24			
CL-452-PB		3/8-16			
CLM-432-PB		M6			
CLM-442-PB		M8			
CL-532-PB	1-3/16	1/4-20	9/16	1/2	1-1/8
CL-542-PB		5/16-18			
CL-552-PB		3/8-16			
CL-554-PB		3/8-24			
CLM-542-PB		M8			
CLM-552-PB		M10			
CL-632-PB		1-3/8			
CL-642-PB	5/16-18				
CL-652-PB	3/8-16				
CL-654-PB	3/8-24				
CL-672-PB	1/2-13				
CL-674-PB	1/2-20				
CLM-652-PB	M10				
CLM-672-PB	M12				
CL-752-PB	1-5/8	3/8-16	11/16	1/2	1-37/64
CL-772-PB		1/2-13			
CLM-752-PB		M10			
CLM-772-PB		M12			
CL-852-PB	1-7/8	3/8-16	3/4	1/2	1-51/64
CL-854-PB		3/8-24			
CL-872-PB		1/2-13			
CL-882-PB*		5/8-18			
CLM-852-PB		M10			
CLM-872-PB		M12			
CLM-882-PB		M16			
CLM-882-PB		M16			

PHENOLIC — TAPPED RECESSED TOP (INCH)

CL-856-PB	1-7/8	3/8-16	3/4	1/2	1-15/32
CL-858-PB		3/8-24			
CL-876-PB		1/2-13			

BALL KNOBS

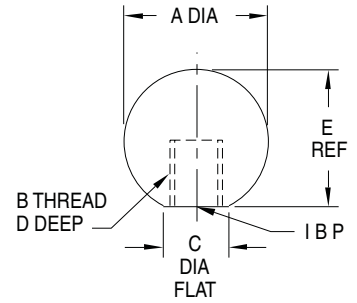
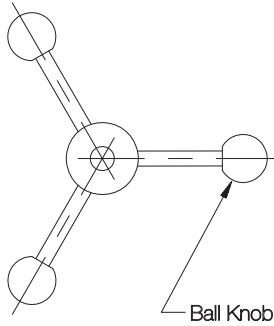
BLACK PHENOLIC, THERMOPLASTIC, OR CUSHION-GRIP PLASTIC WITH BRASS INSERT

Thermoplastic — Tapped



1/4-20 CL-6320-PB
 5/16-18 CL-6420-PB
 3/8-16 CL-6520-PB
 1/2-13 CL-6720-PB

Ball Knobs are now available in three materials: phenolic plastic (**INFO+**: see page 139), thermoplastic, and cushion-grip plastic.



Cushion Grip — Tapped



1/4-20 CL-6325-PB
 5/16-18 CL-6425-PB
 3/8-16 CL-6525-PB
 1/2-13 CL-6725-PB

THERMOPLASTIC — TAPPED (INCH)

PART NO.	A DIA	B	C DIA	D	E
CL-6320-PB	1-1/2	1/4-20	5/8	5/8	1-15/64
CL-6420-PB		5/16-18			
CL-6520-PB		3/8-16			
CL-6720-PB		1/2-13			

CUSHION GRIP — TAPPED (INCH)

PART NO.	A DIA	B	C DIA	D	E
CL-6325-PB	1-1/2	1/4-20	5/8	5/8	1-15/64
CL-6425-PB		5/16-18			
CL-6525-PB		3/8-16			
CL-6725-PB		1/2-13			

OVAL BALL KNOBS

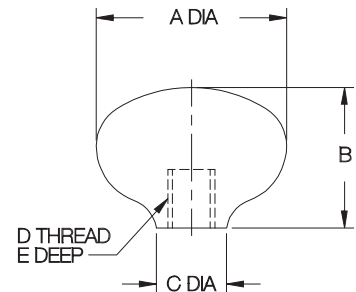
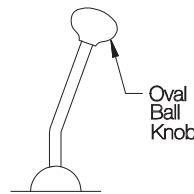
BLACK PHENOLIC PLASTIC WITH BRASS INSERT

Phenolic — Tapped



3/8-16 CL-852-OBK
 3/8-24 CL-854-OBK
 1/2-13 CL-872-OBK

1/4-20 CL-532-OBK
 5/16-18 CL-542-OBK
 3/8-16 CL-552-OBK



PHENOLIC — TAPPED (INCH)

PART NO.	A DIA	B	C DIA	D	E
CL-532-OBK	1-1/8	1-7/16	1/2	1/4-20	7/16
CL-542-OBK				5/16-18	
CL-552-OBK				3/8-16	
CL-852-OBK	2-1/32	1-1/2	3/4	3/8-16	1/2
CL-854-OBK				3/8-24	
CL-872-OBK				1/2-13	

Comfortable-grip ball knobs that are ideal for shift levers, control levers and push/pull rods. Molded-in brass insert provides superior thread strength. Choice of two shapes. Non-standard thread sizes or molded-in studs are available in quantities of 500 and above. Note: Catalog photos are actual size.

BALL KNOBS

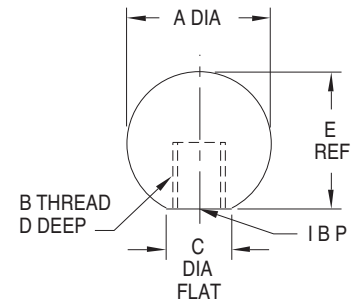
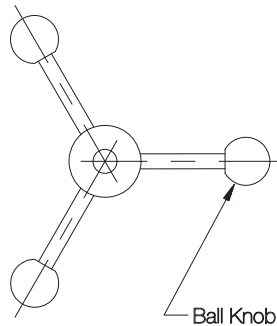
1018 STEEL, BLACK OXIDE FINISH, OR 316 STAINLESS STEEL



Steel — Tapped

1/4-20	CL-632-SBK
5/16-18	CL-642-SBK
3/8-16	CL-652-SBK
1/2-13	CL-672-SBK
M6	CLM-632-SBK
M8	CLM-642-SBK
M10	CLM-652-SBK
M12	CLM-672-SBK

Heavy-duty knob handle made of steel with a black oxide finish. This durable, multi-purpose knob is suitable for many applications. Ideal when added weight is desirable for easier lever actuation. Note: Catalog photo is actual size.



STEEL — TAPPED (INCH)

PART NO.	A DIA	B	C DIA	D	E
CL-632-SBK	1-1/2	1/4-20	5/8	9/16	1-7/16
CL-642-SBK		5/16-18		5/8	
CL-652-SBK		3/8-16			
CL-672-SBK		1/2-13			

STEEL — TAPPED (METRIC)

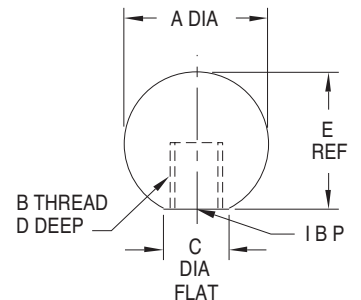
PART NO.	A DIA	B	C DIA	D	E
CLM-632-SBK	1-1/2	M6	5/8	9/16	1-7/16
CLM-642-SBK		M8		5/8	
CLM-652-SBK		M10			
CLM-672-SBK		M12			



Stainless Steel — Tapped

1/4-20	CL-632-SBK-S
5/16-18	CL-642-SBK-S
3/8-16	CL-652-SBK-S
1/2-13	CL-672-SBK-S
M6	CLM-632-SBK-S
M8	CLM-642-SBK-S
M10	CLM-652-SBK-S
M12	CLM-672-SBK-S

Heavy-duty knob handle made of type 316 stainless steel for excellent corrosion resistance. This durable, multi-purpose knob is suitable for many applications, including marine and chemical environments. Ideal when added weight is desirable for easier lever actuation. Attractive polished finish. Note: Catalog photo is actual size.



STAINLESS STEEL — TAPPED (INCH)

PART NO.	A DIA	B	C DIA	D	E
CL-632-SBK-S	1-1/2	1/4-20	5/8	9/16	1-7/16
CL-642-SBK-S		5/16-18		5/8	
CL-652-SBK-S		3/8-16			
CL-672-SBK-S		1/2-13			

STAINLESS STEEL — TAPPED (METRIC)

PART NO.	A DIA	B	C DIA	D	E
CLM-632-SBK-S	1-1/2	M6	5/8	9/16	1-7/16
CLM-642-SBK-S		M8		5/8	
CLM-652-SBK-S		M10			
CLM-672-SBK-S		M12			

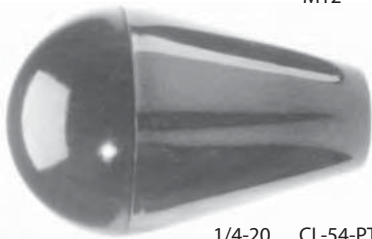
OVAL TAPERED KNOBS

BLACK PHENOLIC OR CUSHION-GRIP PLASTIC WITH BRASS INSERT

Phenolic — Tapped



3/8-16 CL-66-PTK
1/2-13 CL-68-PTK
M10 CLM-610-PTK
M12 CLM-612-PTK



1/4-20 CL-54-PTK
5/16-18 CL-55-PTK
M8 CLM-58-PTK

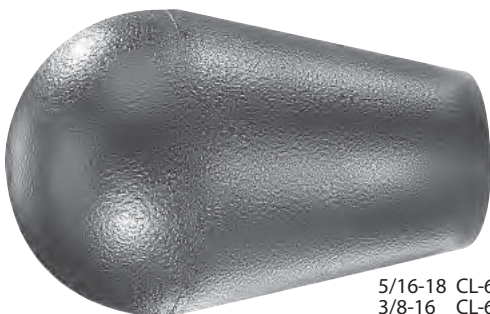


1/4-20 CL-44-PTK
5/16-18 CL-45-PTK
3/8-16 CL-46-PTK
M6 CLM-46-PTK



#10-32 CL-23-PTK
1/4-20 CL-24-PTK
M6 CLM-26-PTK

Cushion Grip — Tapped



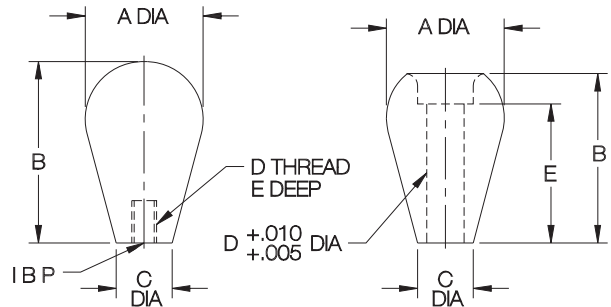
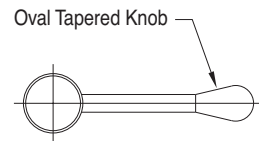
5/16-18 CL-650-PTK
3/8-16 CL-660-PTK

Attractive design suitable for control levers and push/pull rods. Molded-in brass insert provides superior thread strength. The solid-plastic through-hole version can be used with a Shoulder Screw as a revolving crank handle. Choice of four knob sizes. Non-standard thread sizes, molded-in studs, or special colors (cushion grip only) are available in quantities of 500 and above. Note: Catalog photos are actual size.

Phenolic — Through Hole



3/8 Dia CL-560-PTK



PHENOLIC — TAPPED (INCH & METRIC)

PART NO.	A DIA	B	C DIA	D	E
CL-23-PTK	3/4	1-1/4	3/8	#10-32	5/16
CL-24-PTK*				1/4-20	7/16
CLM-26-PTK*				M6	
CL-44-PTK	1	1-5/8	1/2	1/4-20	7/16
CL-45-PTK				5/16-18	
CL-46-PTK				3/8-16	
CLM-46-PTK				M6	
CL-54-PTK	1-3/16	1-7/8	9/16	1/4-20	7/16
CL-55-PTK				5/16-18	
CLM-58-PTK				M8	
CL-66-PTK	1-5/8	2-1/2	7/8	3/8-16	1/2
CL-68-PTK				1/2-13	5/8
CLM-610-PTK				M10	1/2
CLM-612-PTK				M12	5/8

PHENOLIC — THROUGH HOLE

CL-560-PTK*	1-3/16	1-3/4	9/16	.375	1-7/16
-------------	--------	-------	------	------	--------

CUSHION GRIP — TAPPED (INCH)

CL-650-PTK	1-5/8	2-1/2	7/8	5/16-18	5/8
CL-660-PTK				3/8-16	

* These sizes are solid plastic, without a brass insert.

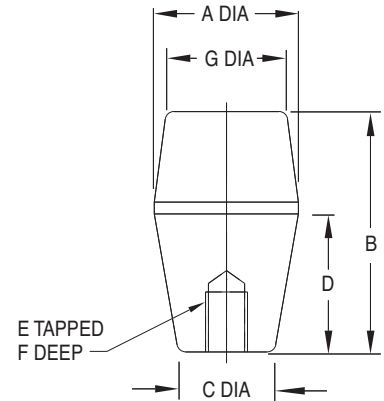
TAPERED KNOBS

BLACK CUSHION-GRIP PLASTIC WITH BRASS INSERT

Cushion Grip — Tapped



5/16-18 CL-655-TAPK
 3/8-16 CL-665-TAPK
 1/2-13 CL-685-TAPK



Attractive square design, ideal for lever handles. Made from Cushion Grip plastic, a unique material that feels soft to the touch, comfortable yet rugged. Textured non-slip, non-glare finish. Molded-in brass insert provides superior thread strength. Non-standard thread sizes, molded-in studs, or special colors are available in quantities of 500 and above. Note: Catalog photo is actual size.

CUSHION GRIP — TAPPED (INCH)

PART NO.	A DIA	B	C DIA	D	E	F	G DIA
CL-655-TAPK	1-1/2	2-1/2	15/16	1-1/2	5/16-18	3/4	1-1/8
CL-665-TAPK					3/8-16	5/8	
CL-685-TAPK					1/2-13		

PALM-GRIP HANDLES

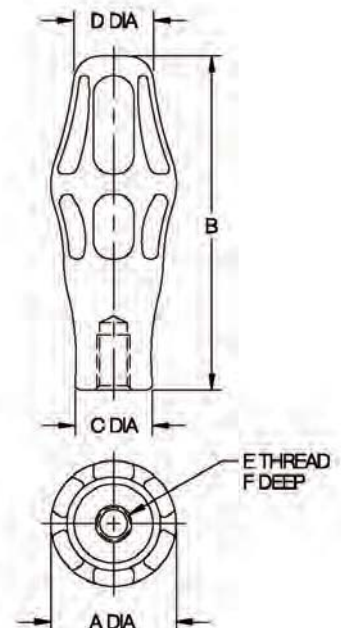
BLACK THERMOPLASTIC WITH BRASS INSERT

Thermoplastic — Tapped



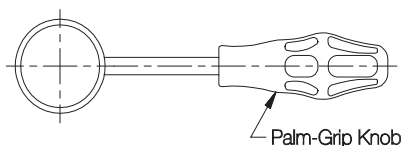
1/4-20 CL-632-PGH
 5/16-18 CL-642-PGH
 3/8-16 CL-652-PGH

This unique, ergonomically designed handle provides an extremely comfortable grip. Greatly reduces stress on hands, wrists, and arms to help eliminate the risk of repetitive-motion disorders. Textured non-slip, non-glare finish. Molded-in brass insert provides superior thread strength. Non-standard thread sizes, molded-in studs, or special colors are available in quantities of 500 and above. Note: Catalog photo is actual size.



THERMOPLASTIC — TAPPED (INCH)

PART NO.	A DIA	B	C DIA	D DIA	E	F 7/8
CL-632-PGH	1-3/8	3-3/4	7/8	7/8	1/4-20	5/8
CL-642-PGH					5/16-18	
CL-652-PGH					3/8-16	



KNOB HANDLES

BLACK CUSHION-GRIP PLASTIC. TAPPED VERSION WITH BRASS INSERT

3



5/16-18 CL-855-KH
3/8-16 CL-865-KH
3/8 DIA CL-866-KH



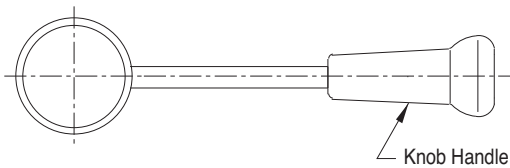
5/16-18 CL-655-KH
3/8-16 CL-665-KH
3/8 DIA CL-666-KH



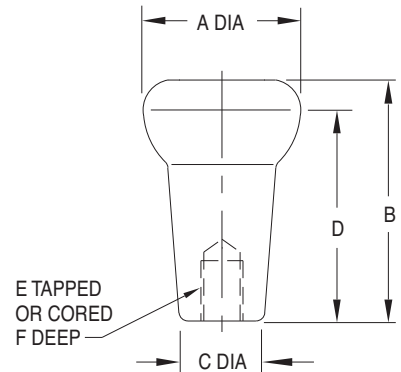
5/16-18 CL-455-KH
3/8-16 CL-465-KH
3/8 DIA CL-466-KH

**Cushion Grip —
Tapped or Cored**

Tapered handle with a knob end for secure gripping. Made from Cushion-Grip plastic, a unique material that feels soft to the touch, comfortable yet rugged. Non-slip, non-glare finish. Molded-in brass insert on the tapped version provides superior thread strength. Optionally available with a plain cored hole to press fit on a shaft. The cored hole is somewhat undersize to grip tightly on a nominal-size shaft without requiring pinning. Non-standard thread sizes, molded-in studs, or special colors are available in quantities of 500 and above. Note: Catalog photos are actual size.



Combination knob and tapered handle. The knob end helps prevent operator's hand from sliding off the handle.



CUSHION GRIP — TAPPED (INCH)

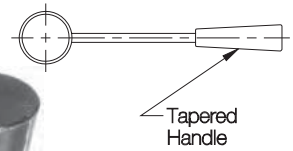
PART NO.	A DIA	B	C DIA	D	E	F
CL-455-KH	1-3/8	2-1/8	13/16	11-1/4	5/16-18	5/8
CL-465-KH					3/8-16	
CL-655-KH	1-5/8	2-1/2	7/8	1-1/2	5/16-18	
CL-665-KH					3/8-16	
CL-855-KH	1-1/2	4-3/8		3-1/2	5/16-18	7/16
CL-865-KH					3/8-16	1/2

CUSHION GRIP — CORED

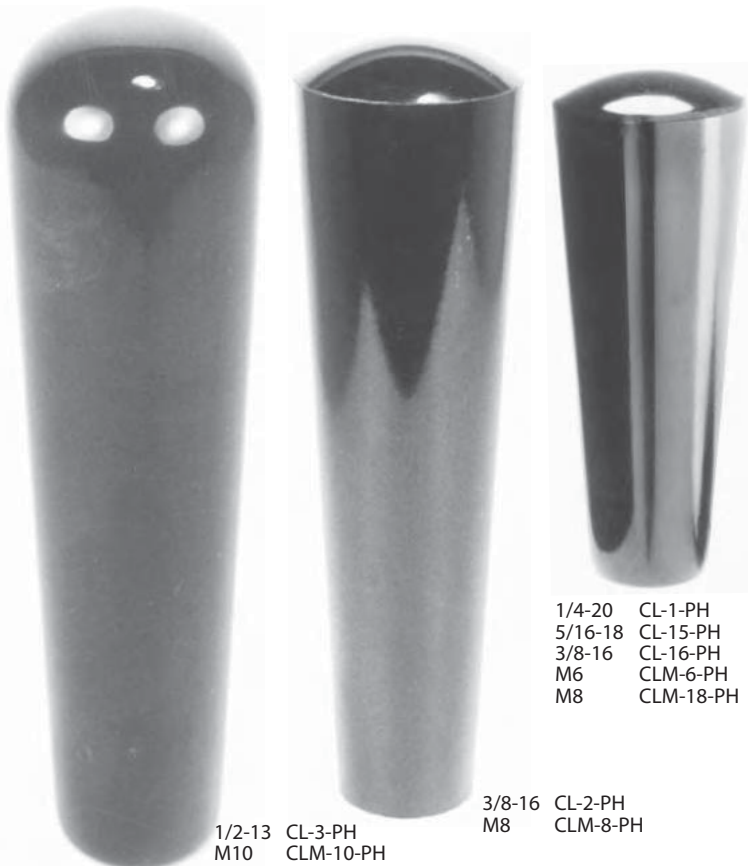
PART NO.	A DIA	B	C DIA	D	E		F
					FOR SHAFT DIA	ACTUAL DIA	
CL-466-KH	1-3/8	2-1/8	13/16	1-1/4	3/8	.312-.327	1
CL-666-KH	1-5/8	2-1/2	7/8	1-1/2			
CL-866-KH	1-1/2	4-3/8	7/8	3-1/2			

TAPERED HANDLES

BLACK PHENOLIC PLASTIC WITH BRASS INSERT

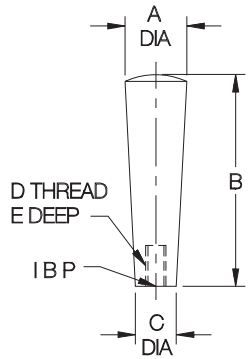


Phenolic — Tapped



- 1/4-20 CL-0-PH
- 5/16-18 CL-05-PH
- M6 CLM-06-PH
- M8 CLM-08-PH

Heavy-duty design that makes an excellent grasp handle or machine shift lever. Molded-in brass insert provides superior thread strength. The solid-plastic through-hole version can be used with a Shoulder Screw as a revolving crank handle. Choice of five handle sizes. Non-standard thread sizes or molded-in studs are available in quantities of 500 and above. Note: Catalog photos are actual size.



- 1/4-20 CL-1-PH
- 5/16-18 CL-15-PH
- 3/8-16 CL-16-PH
- M6 CLM-6-PH
- M8 CLM-18-PH

- 3/8-16 CL-2-PH
- M8 CLM-8-PH

- 1/2-13 CL-3-PH
- M10 CLM-10-PH



3/8 Dia CL-30-PH

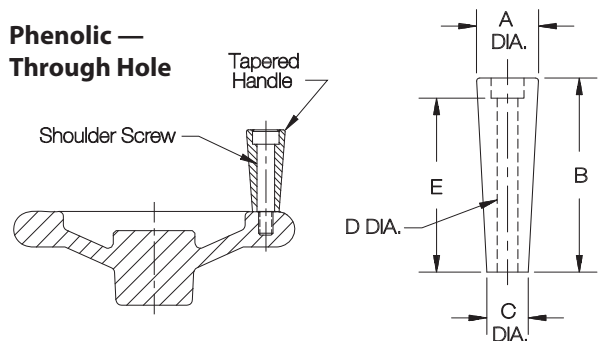
3/8 Dia CL-20-PH

1/4 Dia CL-10-PH

PHENOLIC — TAPPED (INCH & METRIC)

PART NO.	A DIA	B	C DIA	D	E
CL-00-PH	3/4	7/8	3/8	#10-32	5/16
CLM-005-PH				M5	
CL-0-PH	1	1-1/4	1/2	1/4-20	7/16
CL-05-PH				5/16-18	
CLM-06-PH				M6	3/8
CLM-08-PH				M8	
CL-1-PH	1	2-5/8	5/8	1/4-20	7/16
CL-15-PH				5/16-18	
CL-16-PH				3/8-16	1/2
CLM-6-PH				M6	
CLM-18-PH				M8	7/16
CL-2-PH	1-1/8	3-7/8	3/4	3/8-16	5/8
CLM-8-PH				M8	7/16
CL-3-PH	1-3/8	4-1/2	1	1/2-13	2
CLM-10-PH				M10	

Phenolic — Through Hole



PHENOLIC — THROUGH HOLE

PART NO.	A DIA	B	C DIA	D		E
				NOMINAL	ACTUAL	
CL-10-PH*	1	2-9/16	5/8	1/4	.251/.256	5/8
CL-20-PH*	1-1/8	3-11/16	3/4	3/8	.380/.385	2-5/8
CL-30-PH*	1-3/8	4-3/32	1	3/8	.380/.390	2-5/8

* This size is solid plastic, without a brass insert.

PULL KNOBS

BLACK PHENOLIC PLASTIC WITH BRASS INSERT



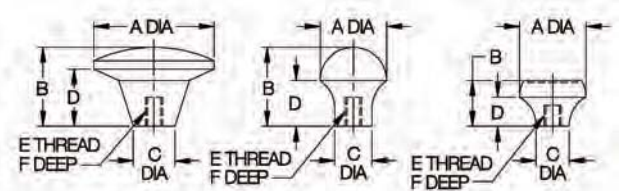
1/4-20 CL-632-PK
5/16-18 CL-642-PK
3/8-16 CL-652-PK
M8 CLM-642-PK



#10-32 CL-424-PK
1/4-20 CL-432-PK
M5 CLM-422-PK
M6 CLM-432-PK

**Phenolic—Tapped
Flat Top**

Versatile knob with an enlarged head for pulling, pushing, or lifting. Molded-in brass insert provides superior thread strength. Choice of three types, in two sizes each. Non-standard thread sizes or molded-in studs are available in quantities of 500 and above. Note: Catalog photos are actual size.



PHENOLIC — TAPPED, FLAT TOP (INCH & METRIC)

PART NO.	A DIA	B	C DIA	D	E	F
CL-424-PK	1-3/8	7/8	5/8	5/8	#10-32	5/16
CL-432-PK					1/4-20	7/16
CLM-422-PK					M5	5/16
CLM-432-PK					M6	7/16
CL-632-PK	1-13/16	1-3/16	5/8	7/8	1/4-20	7/16
CL-642-PK					5/16-18	
CL-652-PK					3/8-16	1/2
CLM-642-PK					M8	



3/8-24 CL-654-PKO



#10-32 CL-424-PKO
1/4-20 CL-432-PKO
M5 CLM-422-PKO
M6 CLM-432-PKO

**Phenolic—Tapped
Oval Top**

PHENOLIC — TAPPED, OVAL TOP (INCH & METRIC)

PART NO.	A DIA	B	C DIA	D	E	F
CL-424-PKO	1	1-3/16	9/16	11/16	#10-32	5/16
CL-432-PKO					1/4-20	7/16
CLM-422-PKO					M5	5/16
CLM-432-PKO					M6	7/16
CL-654-PKO	1-5/8	1	5/8	3/8	3/8-24	1/2



#10-32 CL-424-PKR
1/4-20 CL-432-PKR



#6-32 CL-202-PKR
#8-32 CL-212-PKR
#10-32 CL-224-PKR
1/4-20 CL-232-PKR

**Phenolic—Tapped
Recessed Top**

PHENOLIC — TAPPED, RECESSED TOP (INCH)

PART NO.	A	B	C DIA	D	E	F
CL-202-PKR	3/4	3/4	1/2	21/32	#6-32	5/16
CL-212-PKR					#8-32	
CL-224-PKR					#10-32	
CL-232-PKR					1/4-20	
CL-424-PKR	1	11/16	1/2	7/16	#10-32	5/16
CL-432-PKR					1/4-20	

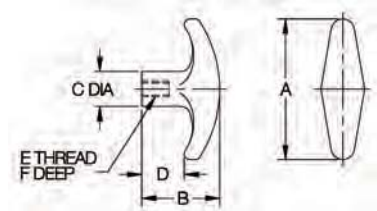
T HANDLES

BLACK PHENOLIC PLASTIC WITH BRASS INSERT



Phenolic—Tapped

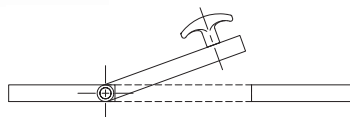
Easy-gripping handle for push/pull applications, such as release latches and cabinet doors. Molded-in brass insert provides superior thread strength. Non-standard thread sizes or molded-in studs are available in quantities of 500 and above. Note: Catalog photo is actual size.



PHENOLIC — TAPPED (INCH & METRIC)

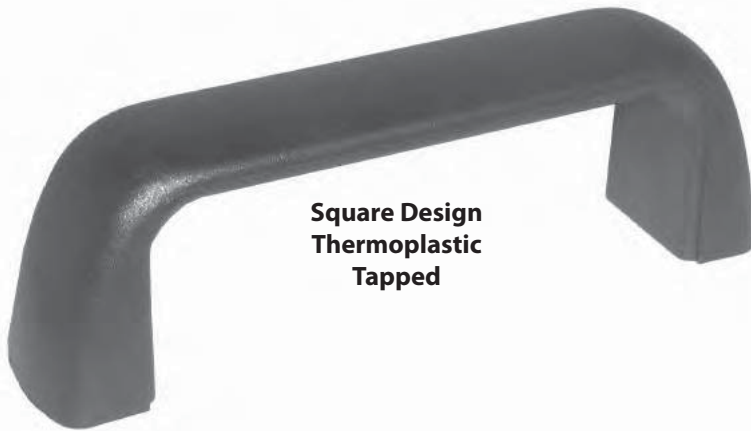
PART NO.	A	B	C DIA	D	E	F
CL-424-TH	2-1/4	1-1/4	9/16	11/16	#10-32	5/16
CL-432-TH					1/4-20	7/16
CL-434-TH					1/4-28	
CL-442-TH					5/16-18	7/16
CLM-422-TH					M5	
CLM-432-TH					M6	
CLM-442-TH					M8	

#10-32 CL-424-TH
1/4-20 CL-432-TH
1/4-28 CL-434-TH
5/16-18 CL-442-TH
M5 CLM-422-TH
M6 CLM-432-TH
M8 CLM-442-TH

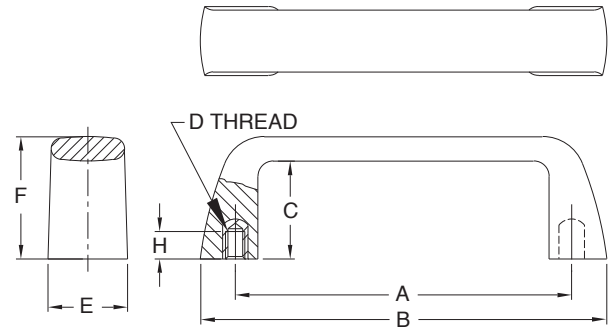


PULL HANDLES

BLACK THERMOPLASTIC WITH BRASS INSERT



**Square Design
Thermoplastic
Tapped**



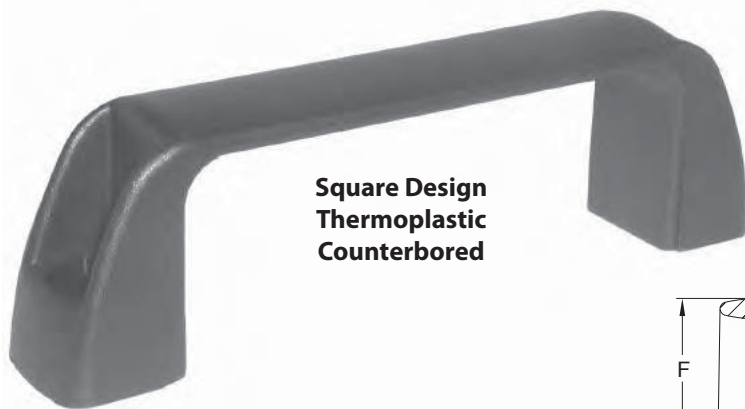
Attractive, modern-design handle that provides a comfortable grip with good ergonomic features. Excellent durability. Textured non-slip, non-glare finish. Molded-in brass insert provides superior thread strength. Black fiber-reinforced nylon thermoplastic (textured surface for secure gripping, excellent impact resistance, operating temperatures to 230°F). Choice of two handle sizes, available with either inch or metric threads.

TAPPED (INCH)

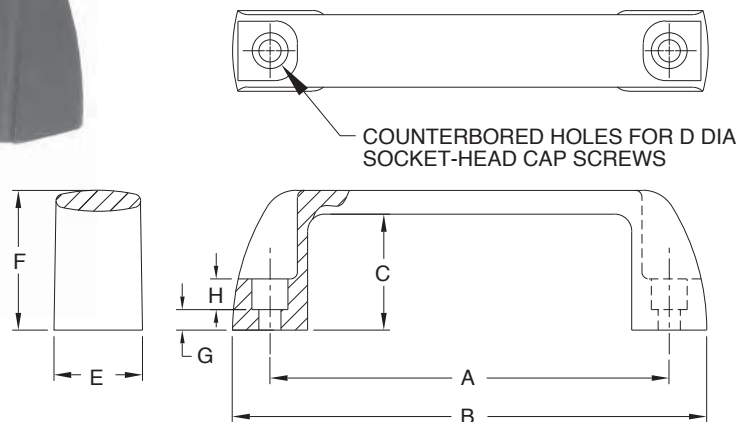
PART NO.	A	B	C	D	E	F	H
CL-105-PHS-4	4.13	4.76	1.14	1/4-20	1.02	1.46	.35
CL-117-PHS-5	4.61	5.24	1.26	5/16-18		1.57	

TAPPED (METRIC)

PART NO.	A	B	C	D	E	F	H
CLM-105-PHS-6	4.13	4.76	1.14	M6	1.02	1.46	.35
CLM-117-PHS-8	4.61	5.24	1.26	M8		1.57	



**Square Design
Thermoplastic
Counterbored**



Attractive, modern-design handle that provides a comfortable grip with good ergonomic features. Excellent durability. Textured non-slip, non-glare finish. Counterbored for Socket-Head Cap Screws. Choice of four handle sizes. Black fiber-reinforced nylon thermoplastic (textured surface for secure gripping, excellent impact resistance, operating temperatures to 230°F).

COUNTERBORED

PART NO.	A	B	C	D DIA	E	F	G	H
CL-94-PHSC-4	3.68	4.41	1.18	1/4 or M6	.83	1.42	.24	.28
CL-117-PHSC-5	4.61	5.47	1.34	5/16 or M8	1.02	1.61	.24	
CL-132-PHSC-5	5.20	6.14	1.46		1.06	1.77	.28	
CL-179-PHSC-5	7.05	8.03	1.65	1.10	1.97	.31		

PULL HANDLES

ALUMINUM, BLACK POWDER-COATED FINISH, OR 304 STAINLESS STEEL

3

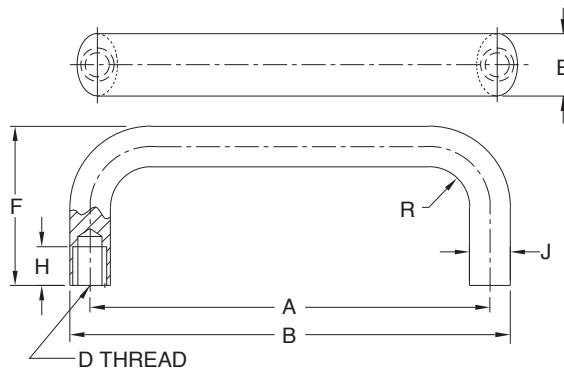


**Rounded Design
Aluminum
Tapped**



**Rounded Design
Stainless Steel
Tapped**

Attractive, modern-design aluminum handle provides a comfortable grip with good ergonomic features. Durable black powder-coated pebble finish. Tapped holes for mounting. Choice of four handle sizes, available with either inch or metric threads. Also available in stainless steel, shot blasted with a satin finish (two sizes).



ALUMINUM — TAPPED (INCH)

PART NO.	A	B	D	E	F	H	J	R
CL-112-PHR-4	4.41	4.92	1/4-20	.79	1.93	.39	.51	.51
CL-128-PHR-4	5.04	5.55			2.01			
CL-160-PHR-5	6.30	6.97	5/16-18	1.02	2.24	.47	.67	.67
CL-192-PHR-5	7.56	8.23						

ALUMINUM — TAPPED (METRIC)

CLM-112-PHR-6	4.41	4.92	M6	.79	1.93	.39	.51	.51
CLM-128-PHR-6	5.04	5.55			2.01			
CLM-160-PHR-8	6.30	6.97	M8	1.02	2.24	.47	.67	.67
CLM-192-PHR-8	7.56	8.23						

STAINLESS STEEL — TAPPED (METRIC)

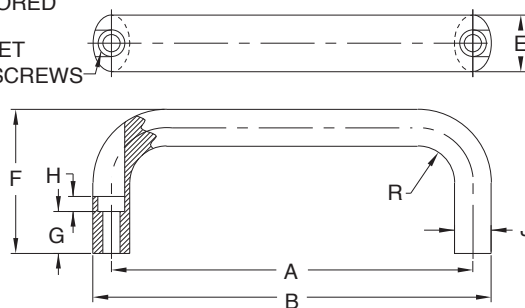
CLM-112-PHR-6-S	4.41	4.92	M6	.79	1.93	.39	.51	.51
CLM-128-PHR-6-S	5.04	5.55			2.01			



**Rounded Design
Aluminum
Counterbored**

Similar to the handles above, except counterbored for Socket-Head Cap Screws. Attractive, modern-design aluminum handle provides a comfortable grip with good ergonomic features. Durable black powder-coated pebble finish. Choice of four handle sizes.

COUNTERBORED HOLES FOR D DIA SOCKET HEAD CAP SCREWS



ALUMINUM — COUNTERBORED

PART NO.	A	B	D	E	F	G	H	J	R
CL-116-PHRC-4	4.57	5.08	1/4 or M6	1.02	2.09	.39	.28	.67	.67
CL-132-PHRC-4	5.20	5.71			2.17				
CL-164-PHRC-4	6.46	6.97			2.24				
CL-196-PHRC-4	7.72	8.23							

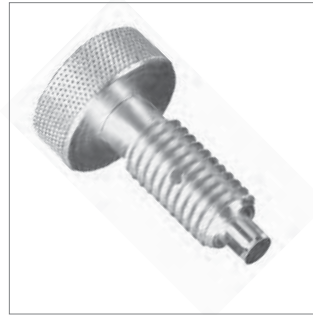
SPRING-LOADED DEVICES



Spring Plungers



Ball Plungers



**Hand-Retractable
Plungers**



Index Plungers



Spring Stop Buttons



Spring Locating Pins

S

S

TYPES



STANDARD

Long bearing length on plunger for smooth operation. Locking element holds the unit securely in place after installation. Install and/or adjust from either end (when using the slot at the plunger end).



SHORT

Compact, short-stroke version of our standard Spring Plungers. Self-contained plunger-and-spring device available in many sizes and forces. Locking element holds the unit securely in place after installation.



SHORT WITH EXTENDED TRAVEL

This self-contained plunger-and-spring device is available in a wide range of sizes. Locking element holds the unit securely in place after installation.



PRESS FIT

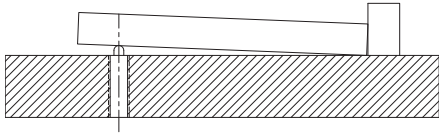
Sturdy shoulder provides a fixed seating position and positively resists detent force (installation hole can be counterbored to recess the shoulder).

SELECTION CHART

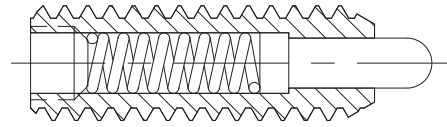
STYLE	OD																
	#6-32	#8-32	#8-36	#10-32	M5	1/4-20	M6	1/4-28	5/16-18	M8	3/8-16	M10	1/2-13	M12	5/8-11	3/4-10	1"-8
Spring Plunger																	
Steel Nose	X	X		X		X	X	X	X	X	X	X	X	X	X	X	X
Stainless Steel	X	X		X		X	X	X	X	X	X	X	X				
Delrin® Nose		X		X		X	X		X	X	X	X	X	X	X		
Stainless Steel, Delrin® Nose		X		X		X	X		X	X	X	X	X	X			
Short Spring Plunger																	
Steel Nose		X	X	X	X	X	X		X	X	X	X	X				
Stainless Steel		X	X	X	X	X			X		X		X				
Delrin® Nose		X	X	X	X	X	X		X	X	X	X	X		X		
Stainless Steel, Delrin® Nose		X	X	X	X	X			X		X		X				
Extended Travel, Steel Nose		X	X	X	X	X	X		X	X	X	X	X		X		
Extended Travel, Stainless Steel		X	X	X	X	X			X		X		X				
Extended Travel, Delrin® Nose		X	X	X	X	X	X		X	X	X	X	X		X		
Extended Travel, Stainless Steel, Delrin® Nose		X	X	X	X	X			X		X		X				
Press Fit Spring Plunger																	
Steel Nose		1/8"		3/16"		1/4"			5/16"		3/8"		1/2"				
Stainless Steel		1/8"		3/16"		1/4"			5/16"		3/8"		1/2"				
Delrin® Nose		1/8"		3/16"		1/4"			5/16"		3/8"		1/2"				
Stainless Steel, Delrin® Nose		1/8"		3/16"		1/4"			5/16"		3/8"		1/2"				

SPRING PLUNGERS

TECHNICAL INFORMATION



Spring plungers are often used to lift parts after machining to make unloading easier.



Nose Extended

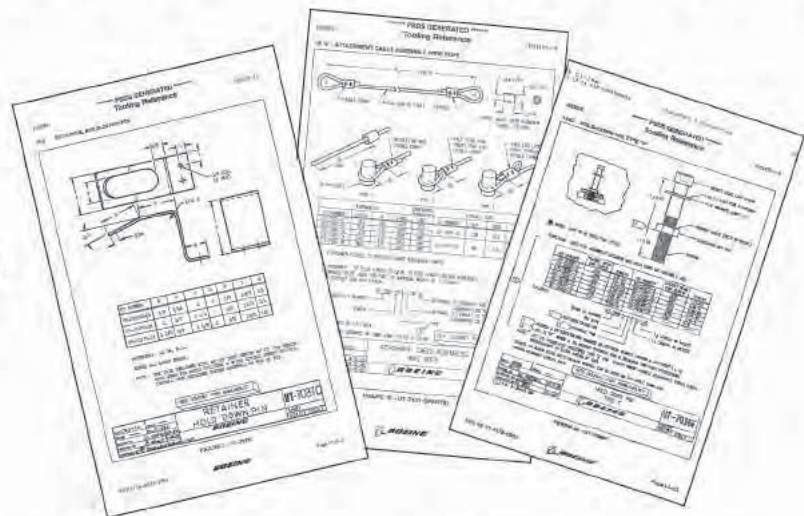
Spring Plungers are self-contained plunger-and-spring devices that apply force over a relatively wide range of travel. The plunger nose has a long bearing length to provide smooth, linear operation. Spring Plungers are available in a wide range of sizes and forces, most in a choice of light or heavy end force. A Spring Plunger's end force is very consistent -- beginning at the stated "initial" value, and increasing linearly (due to spring compression) through the range of travel, until it reaches the stated "final" value at maximum travel.

Most Spring Plungers have a locking element to hold it securely in place after installation. This element is a locking patch on small diameters and a nylon locking pellet on larger sizes. To obtain full holding torque on sizes with a locking pellet, countersink the installation hole to avoid cutting the pellet. Countersink at a 90° angle to a diameter 1/32" larger than the major thread diameter. Then, as you screw the plunger into its hole, the locking pellet will be compressed, no cut. The locking pellet does not apply excessive force, so it also works well in softer metals such as aluminum.

Spring Plungers are recommended only for applying straight-line force, not for sideways breakaway from a detent position. For breakaway applications, the rolling ball and short stroke of a Ball Plunger are crucial features for smooth, repeatable operation.

When your project calls for special parts, call Carr Lane.

Carr Lane Manufacturing makes more than 7,000 dedicated aerospace items, and tens of thousands of other customer requests.



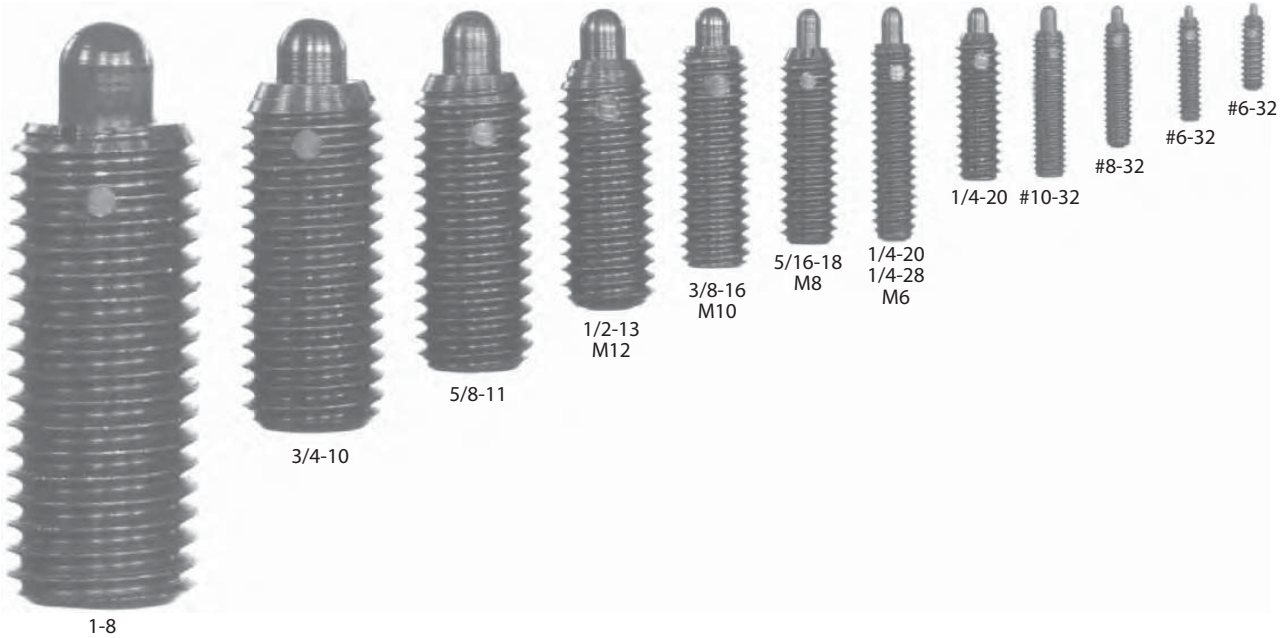
Carr Lane Manufacturing has full manufacturing capabilities to make virtually any special item.

www.carrlane.com/RFQ

Carr Lane
MANUFACTURING CO.

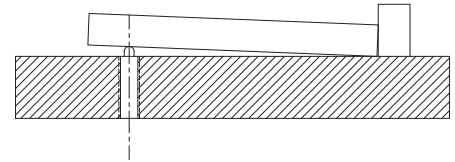
SPRING PLUNGERS

STEEL – BODY: 12L14 STEEL, BLACK OXIDE FINISH (METRIC SIZES ZINC PLATED CLEAR CHROMATE).
 PLUNGER NOSE: 12L14 STEEL, CARBURIZED-HARDENED, BLACK OXIDE FINISH OR
 ZINC PLATED CLEAR CHROMATE (OR DELRIN®). SPRING: MUSIC WIRE.
 STAINLESS STEEL – BODY: 300-SERIES STAINLESS.
 PLUNGER NOSE: 300-SERIES STAINLESS (OR DELRIN®). SPRING: 302 STAINLESS.

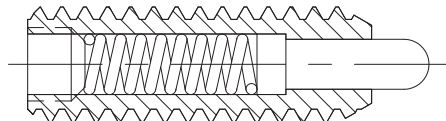


Self-contained plunger-and-spring device available in many sizes and forces. Long bearing length on plunger for smooth operation. Locking element holds the unit securely in place after installation. Install and/or adjust from either end (when using the slot at the plunger end, install with a Plunger Wrench to avoid over-compressing the spring).

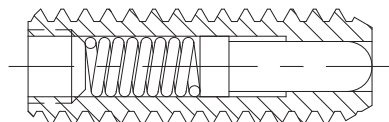
Available in thread sizes from #6-32 to 1"-8 (M6 to M12 in metric). Choice of light or heavy force in each thread size. Available in steel, with hardened plunger nose, or stainless steel. Optionally available with a Delrin® nose to prevent marring. Note: Catalog photos are actual size.



Spring plungers are often used to lift parts after machining to make unloading easier.



Nose Extended

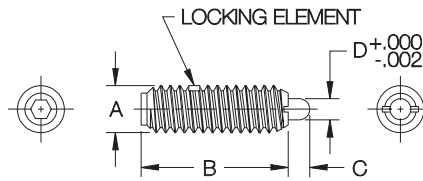


Nose Retracted

PLUNGER NOSE COLOR CODES

BODY	NOSE	FORCE	COLOR CODE
STEEL	STEEL	LIGHT	SILVER
		HEAVY	BLACK
	DELRIN®	LIGHT	WHITE
		HEAVY	BROWN
STAINLESS	STAINLESS	LIGHT	PLAIN
		HEAVY	PLAIN
	DELRIN®	LIGHT	WHITE
		HEAVY	BROWN

SPRING PLUNGERS



STANDARD PLUNGER NOSE, LIGHT FORCE (INCH)

PART NO.		A	END FORCE (LBS)		B	C	D DIA
STEEL	STAINLESS		INITIAL	FINAL			
CL-10-SPS-2	CL-10-SSPS-2	#6-32	0.5	1.5	17/32	1/16	.046
CL-20-SPS-2	CL-20-SSPS-2	#8-32	0.7	2.3	5/8	3/32	.070
CL-30-SPS-2	CL-30-SSPS-2	#10-32	1.3	2.7	3/4	1/8	.093
CL-40-SPS-2	CL-40-SSPS-2	1/4-20	1	4	1	3/16	.119
CL-41-SPS-2	CL-41-SSPS-2	1/4-28	1	4	1	3/16	.119
CL-50-SPS-2	CL-50-SSPS-2	5/16-18	1.5	4.5	1	3/16	.135
CL-60-SPS-2	CL-60-SSPS-2	3/8-16	2.8	7.2	1-1/8	3/16	.186
CL-70-SPS-2	CL-70-SSPS-2	1/2-13	2.7	9.3	1-1/4	1/4	.248
CL-80-SPS-2	—	5/8-11	3.5	10.5	1-1/2	5/16	.310
CL-90-SPS-2	—	3/4-10	4	16	1-3/4	5/16	.374
CL-95-SPS-2	—	1"-8	4	31	2-13/32	1/2	.499

DELTRIN® PLUNGER NOSE, LIGHT FORCE (INCH)

PART NO.		A	END FORCE (LBS)		B	C	D DIA
STEEL	STAINLESS		INITIAL	FINAL			
—	—	#6-32	—	—	—	—	—
CL-20-SPN-2	CL-20-SSPN-2	#8-32	0.7	2.3	5/8	3/32	.070
CL-30-SPN-2	CL-30-SSPN-2	#10-32	1.3	2.7	3/4	1/8	.093
CL-40-SPN-2	CL-40-SSPN-2	1/4-20	1	4	1	3/16	.119
—	—	1/4-28	—	—	—	—	—
CL-50-SPN-2	CL-50-SSPN-2	5/16-18	1.5	4.5	1	3/16	.135
CL-60-SPN-2	CL-60-SSPN-2	3/8-16	2.8	7.2	1-1/8	3/16	.186
CL-70-SPN-2	CL-70-SSPN-2	1/2-13	2.7	9.3	1-1/4	1/4	.248
CL-80-SPN-2	—	5/8-11	3.5	10.5	1-1/2	5/16	.310
—	—	3/4-10	—	—	—	—	—
—	—	1"-8	—	—	—	—	—

STANDARD PLUNGER NOSE, HEAVY FORCE (INCH)

PART NO.		A	END FORCE (LBS)		B	C	D DIA
STEEL	STAINLESS		INITIAL	FINAL			
CL-11-SPS-1	CL-11-SSPS-1	#6-32	1.0	1.6	3/8	1/16	.046
CL-10-SPS-1	CL-10-SSPS-1		1.5	4.5	17/32		
CL-20-SPS-1	CL-20-SSPS-1	#8-32	2.7	7.3	5/8	3/32	.070
CL-30-SPS-1	CL-30-SSPS-1	#10-32	2.9	11.1	3/4	1/8	.093
CL-42-SPS-1	CL-42-SSPS-1	1/4-20	2	9	3/4	1/8	.119
CL-40-SPS-1	CL-40-SSPS-1		3	13	1	3/16	
CL-41-SPS-1	CL-41-SSPS-1	1/4-28	3	13	1	3/16	.119
CL-50-SPS-1	CL-50-SSPS-1	5/16-18	3	15	1	3/16	.135
CL-60-SPS-1	CL-60-SSPS-1	3/8-16	5.5	14.5	1-1/8	3/16	.186
CL-70-SPS-1	CL-70-SSPS-1	1/2-13	6.6	17.4	1-1/4	1/4	.248
CL-80-SPS-1	—	5/8-11	10.5	25.5	1-1/2	5/16	.310
CL-90-SPS-1	—	3/4-10	6.7	37.3	1-3/4	5/16	.374
CL-95-SPS-1	—	1"-8	16	68	2-13/32	1/2	.499

DELTRIN® PLUNGER NOSE, HEAVY FORCE (INCH)

PART NO.		A	END FORCE (LBS)		B	C	D DIA
STEEL	STAINLESS		INITIAL	FINAL			
—	—	#6-32	—	—	—	—	—
—	—	#6-32	—	—	—	—	—
CL-20-SPN-1	CL-20-SSPN-1	#8-32	2.7	7.3	5/8	3/32	.070
CL-30-SPN-1	CL-30-SSPN-1	#10-32	2.9	11.1	3/4	1/8	.093
—	—	1/4-20	—	—	—	—	—
CL-40-SPN-1	CL-40-SSPN-1		3	13	1	3/16	.119
—	—	1/4-28	—	—	—	—	—
CL-50-SPN-1	CL-50-SSPN-1	5/16-18	3	15	1	3/16	.135
CL-60-SPN-1	CL-60-SSPN-1	3/8-16	5.5	14.5	1-1/8	3/16	.186
CL-70-SPN-1	CL-70-SSPN-1	1/2-13	6.6	17.4	1-1/4	1/4	.248
CL-80-SPN-1	—	5/8-11	10.5	25.5	1-1/2	5/16	.310
—	—	3/4-10	—	—	—	—	—
—	—	1"-8	—	—	—	—	—

STANDARD PLUNGER NOSE, LIGHT FORCE (METRIC)

PART NO.		A	END FORCE (LBS)		B	C	D DIA
STEEL	STAINLESS		INITIAL	FINAL			
CLM-6-SPS-1	CLM-6-SSPS-1	M6	1.0	4.0	1	3/16	.119
CLM-8-SPS-1	CLM-8-SSPS-1	M8	1.5	4.5	1	3/16	.135
CLM-10-SPS-1	CLM-10-SSPS-1	M10	2.8	7.2	1-1/8	3/16	.186
CLM-12-SPS-1	CLM-12-SSPS-1	M12	2.7	9.3	1-1/4	1/4	.248

DELTRIN® PLUNGER NOSE, LIGHT FORCE (METRIC)

PART NO.		A	END FORCE (LBS)		B	C	D DIA
STEEL	STAINLESS		INITIAL	FINAL			
CLM-6-SPN-1	CLM-6-SSPN-1	M6	1.0	4.0	1	3/16	.119
CLM-8-SPN-1	CLM-8-SSPN-1	M8	1.5	4.5	1	3/16	.135
CLM-10-SPN-1	CLM-10-SSPN-1	M10	2.8	7.2	1-1/8	3/16	.186
CLM-12-SPN-1	CLM-12-SSPN-1	M12	2.7	9.3	1-1/4	1/4	.248

STANDARD PLUNGER NOSE, HEAVY FORCE (METRIC)

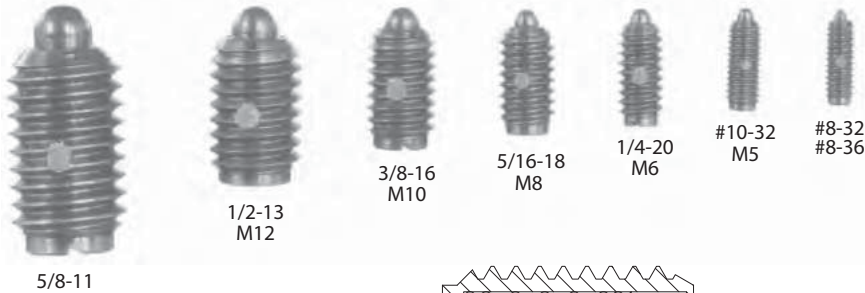
PART NO.		A	END FORCE (LBS)		B	C	D DIA
STEEL	STAINLESS		INITIAL	FINAL			
CLM-6-SPS-2	CLM-6-SSPS-2	M6	3.0	13.0	1	3/16	.119
CLM-8-SPS-2	CLM-8-SSPS-2	M8	3.0	15.0	1	3/16	.135
CLM-10-SPS-2	CLM-10-SSPS-2	M10	5.5	14.5	1-1/8	3/16	.186
CLM-12-SPS-2	CLM-12-SSPS-2	M12	6.6	17.4	1-1/4	1/4	.248

DELTRIN® PLUNGER NOSE, HEAVY FORCE (METRIC)

PART NO.		A	END FORCE (LBS)		B	C	D DIA
STEEL	STAINLESS		INITIAL	FINAL			
CLM-6-SPN-2	CLM-6-SSPN-2	M6	3.0	13.0	1	3/16	.119
CLM-8-SPN-2	CLM-8-SSPN-2	M8	3.0	15.0	1	3/16	.135
CLM-10-SPN-2	CLM-10-SSPN-2	M10	5.5	14.5	1-1/8	3/16	.186
CLM-12-SPN-2	CLM-12-SSPN-2	M12	5.5	17.4	1-1/4	1/4	.248

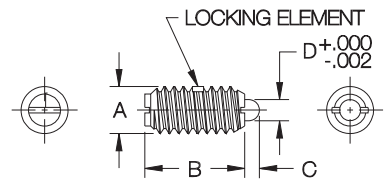
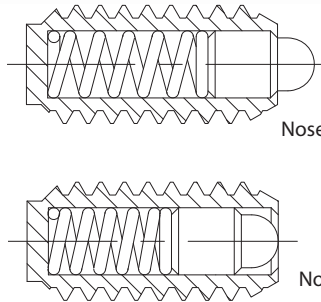
SHORT SPRING PLUNGERS

STEEL – BODY: 12L14 STEEL, BLACK OXIDE FINISH. PLUNGER NOSE: 12L14 STEEL, CARBURIZED-HARDENED, BLACK OXIDE FINISH OR ZINC PLATED CLEAR CHROMATE (OR DELRIN®). SPRING: MUSIC WIRE.
 STAINLESS STEEL – BODY: 300-SERIES STAINLESS.
 PLUNGER NOSE: 300-SERIES STAINLESS (OR DELRIN®). SPRING: 302 STAINLESS.



Compact, short-stroke version of our standard Spring Plungers. Self-contained plunger-and-spring device available in many sizes and forces. Locking element holds the unit securely in place after installation. Install and/or adjust from either end (when using the slot at the plunger end, install with a Plunger Wrench to avoid over-compressing the spring).

Available in thread sizes from #8-32 to 5/8-11 (M5 to M12 in metric). Choice of light or heavy force in each thread size. Available in steel, with a hardened plunger nose, or stainless steel. Optionally available with a Delrin® nose to prevent marring. Note: Catalog photos are actual size.



STANDARD PLUNGER NOSE, LIGHT FORCE (INCH)

PART NO.		A	END FORCE (LBS)		B	C	D DIA
STEEL	STAINLESS		INITIAL	FINAL			
CL-21-SPS-2	CL-21-SSPS-2	#8-32	0.5	1.5	7/16	.052	.070
CL-22-SPS-2	CL-22-SSPS-2	#8-36					
CL-31-SPS-2	CL-31-SSPS-2	#10-32	0.75	2.5	15/32	.065	.093
CL-43-SPS-2	CL-43-SSPS-2	1/4-20	1	3.5	17/32	.078	.119
CL-51-SPS-2	CL-51-SSPS-2	5/16-18	1.5	4	9/16	.084	.135
CL-61-SPS-2	CL-61-SSPS-2	3/8-16	1.5	5	5/8	.110	.186
CL-71-SPS-2	CL-71-SSPS-2	1/2-13	1.75	5.5	3/4	.151	.248
CL-81-SPS-2	—	5/8-11	2	8.5	1-1/16	.215	.310

DELRIN® PLUNGER NOSE, LIGHT FORCE (INCH)

PART NO.		A	END FORCE (LBS)		B	C	D DIA
STEEL	STAINLESS		INITIAL	FINAL			
CL-21-SPN-2	CL-21-SSPN-2	#8-32	0.5	1.5	7/16	.052	.070
CL-22-SPN-2	CL-22-SSPN-2	#8-36					
CL-31-SPN-2	CL-31-SSPN-2	#10-32	0.75	2.5	15/32	.065	.093
CL-43-SPN-2	CL-43-SSPN-2	1/4-20	1	3.5	17/32	.078	.119
CL-51-SPN-2	CL-51-SSPN-2	5/16-18	1.5	4	9/16	.084	.135
CL-61-SPN-2	CL-61-SSPN-2	3/8-16	1.5	5	5/8	.110	.186
CL-71-SPN-2	CL-71-SSPN-2	1/2-13	1.75	5.5	3/4	.151	.248
CL-81-SPN-2	—	5/8-11	2	8.5	1-1/16	.215	.310

STANDARD PLUNGER NOSE, HEAVY FORCE (INCH)

CL	CL	#	INITIAL	FINAL	B	C	D DIA
CL-21-SPS-1	CL-21-SSPS-1	#8-32	1.5	4.75	7/16	.052	.070
CL-22-SPS-1	CL-22-SSPS-1	#8-36					
CL-31-SPS-1	CL-31-SSPS-1	#10-32	1.75	6.25	15/32	.065	.093
CL-43-SPS-1	CL-43-SSPS-1	1/4-20	3	10.5	17/32	.078	.119
CL-51-SPS-1	CL-51-SSPS-1	5/16-18	3.75	15.5	9/16	.084	.135
CL-61-SPS-1	CL-61-SSPS-1	3/8-16	4.5	18.5	5/8	.110	.186
CL-71-SPS-1	CL-71-SSPS-1	1/2-13	5	28	3/4	.151	.248
CL-81-SPS-1	—	5/8-11	7	50	1-1/16	.215	.310

DELRIN® PLUNGER NOSE, HEAVY FORCE (INCH)

CL	CL	#	INITIAL	FINAL	B	C	D DIA
CL-21-SPN-1	CL-21-SSPN-1	#8-32	1.5	4.75	7/16	.052	.070
CL-22-SPN-1	CL-22-SSPN-1	#8-36					
CL-31-SPN-1	CL-31-SSPN-1	#10-32	1.75	6.25	15/32	.065	.093
CL-43-SPN-1	CL-43-SSPN-1	1/4-20	3	10.5	17/32	.078	.119
CL-51-SPN-1	CL-51-SSPN-1	5/16-18	3.75	15.5	9/16	.084	.135
CL-61-SPN-1	CL-61-SSPN-1	3/8-16	4.5	18.5	5/8	.110	.186
CL-71-SPN-1	CL-71-SSPN-1	1/2-13	5	28	3/4	.151	.248
CL-81-SPN-1	—	5/8-11	7	50	1-1/16	.215	.310

STANDARD PLUNGER NOSE, LIGHT FORCE (METRIC)

CLM	CLM	M	INITIAL	FINAL	B	C	D DIA
CLM-51-SPS-1	—	M5	.7	2.5	.47	.065	.093
CLM-61-SPS-1	—	M6	1	3.5	.53	.078	.119
CLM-81-SPS-1	—	M8	1.5	4	.56	.084	.135
CLM-101-SPS-1	—	M10	1.5	5	.62	.110	.186
CLM-121-SPS-1	—	M12	1.8	5.5	.75	.151	.248

DELRIN® PLUNGER NOSE, LIGHT FORCE (METRIC)

CLM	CLM	M	INITIAL	FINAL	B	C	D DIA
CLM-51-SPN-1	—	M5	.7	2.5	.47	.065	.093
CLM-61-SPN-1	—	M6	1	3.5	.53	.078	.119
CLM-81-SPN-1	—	M8	1.5	4	.56	.084	.135
CLM-101-SPN-1	—	M10	1.5	5	.62	.110	.186
CLM-121-SPN-1	—	M12	1.8	5.5	.75	.151	.248

STANDARD PLUNGER NOSE, HEAVY FORCE (METRIC)

CLM	CLM	M	INITIAL	FINAL	B	C	D DIA
CLM-51-SPS-2	—	M5	1.8	6.3	.47	.065	.093
CLM-61-SPS-2	—	M6	3	10.5	.53	.078	.119
CLM-81-SPS-2	—	M8	3.8	15.5	.56	.084	.135
CLM-101-SPS-2	—	M10	4.5	18.5	.62	.110	.186
CLM-121-SPS-2	—	M12	5	28	.75	.151	.248

DELRIN® PLUNGER NOSE, HEAVY FORCE (METRIC)

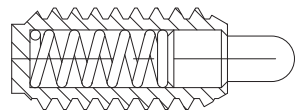
CLM	CLM	M	INITIAL	FINAL	B	C	D DIA
CLM-51-SPN-2	—	M5	1.8	6.3	.47	.065	.093
CLM-61-SPN-2	—	M6	3	10.5	.53	.078	.119
CLM-81-SPN-2	—	M8	3.8	15.5	.56	.084	.135
CLM-101-SPN-2	—	M10	4.5	18.5	.62	.110	.186
CLM-121-SPN-2	—	M12	5	28	.75	.151	.248

SHORT SPRING PLUNGERS WITH EXTENDED TRAVEL

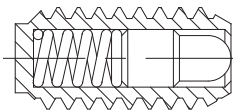
STEEL – BODY: 12L14 STEEL, BLACK OXIDE FINISH. PLUNGER NOSE: 12L14 STEEL, CARBURIZED-HARDENED, BLACK OXIDE FINISH OR ZINC PLATED CLEAR CHROMATE (OR DELRIN®). SPRING: MUSIC WIRE
 STAINLESS STEEL – BODY: 300-SERIES STAINLESS. PLUNGER NOSE: 300-SERIES STAINLESS (OR DELRIN®). SPRING: 302 STAINLESS.



These Spring Plungers have the body length of a Short Spring Plunger while providing the longer stroke of a standard Spring Plunger (spring force is somewhat reduced). This self-contained plunger-and-spring device is available in a wide range of sizes. Locking element holds the unit securely in place after installation. Install and/or adjust from either end (when using the slot at the plunger end, install with a Plunger Wrench to avoid over-compressing the spring).

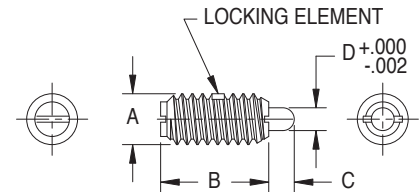


Nose Extended



Nose Retracted

Available in thread sizes from #8-32 to 5/8-11 (M5 to M12 in metric). Available in steel, with a hardened plunger nose, or stainless steel. Optionally available with a Delrin® nose to prevent marring. Note: Catalog photos are actual size.



STANDARD PLUNGER NOSE (INCH)

PART NO.		A	END FORCE (LBS)		B	C	D DIA
STEEL	STAINLESS		INITIAL	FINAL			
CL-25-SPS-1	CL-25-SSPS-1	#8-32	1.0	3.2	7/16	.093	.070
CL-26-SPS-1	CL-26-SSPS-1	#8-36					
CL-35-SPS-1	CL-35-SSPS-1	#10-32	1.2	4.2	15/32	.125	.093
CL-45-SPS-1	CL-45-SSPS-1	1/4-20	2.0	7.0	17/32	.187	.119
CL-55-SPS-1	CL-55-SSPS-1	5/16-18	2.5	10.5	9/16	.187	.135
CL-65-SPS-1	CL-65-SSPS-1	3/8-16	3.0	12.5	5/8	.187	.186
CL-75-SPS-1	CL-75-SSPS-1	1/2-13	3.5	19	3/4	.250	.248
CL-85-SPS-1	—	5/8-11	4.5	34	1-1/16	.312	.310

DELRIN® PLUNGER NOSE (INCH)

PART NO.		A	END FORCE (LBS)		B	C	D DIA
STEEL	STAINLESS		INITIAL	FINAL			
CL-25-SPN-1	CL-25-SSPN-1	#8-32	1.0	3.2	7/16	.093	.070
CL-26-SPN-1	CL-26-SSPN-1	#8-36					
CL-35-SPN-1	CL-35-SSPN-1	#10-32	1.2	4.2	15/32	.125	.093
CL-45-SPN-1	CL-45-SSPN-1	1/4-20	2.0	7.0	17/32	.187	.119
CL-55-SPN-1	CL-55-SSPN-1	5/16-18	2.5	10.5	9/16	.187	.135
CL-65-SPN-1	CL-65-SSPN-1	3/8-16	3.0	12.5	5/8	.187	.186
CL-75-SPN-1	CL-75-SSPN-1	1/2-13	3.5	19	3/4	.250	.248
CL-85-SPN-1	—	5/8-11	4.5	34	1-1/16	.312	.310

STANDARD PLUNGER NOSE (METRIC)

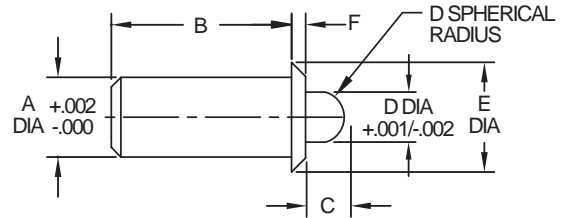
PART NO.		A	END FORCE (LBS)		B	C	D DIA
STEEL	STAINLESS		INITIAL	FINAL			
CLM-55-SPS-1	—	M5	1.2	4.2	.47	.125	.093
CLM-65-SPS-1	—	M6	2.0	7.0	.53	.187	.119
CLM-85-SPS-1	—	M8	2.5	10.5	.56	.187	.135
CLM-105-SPS-1	—	M10	3.0	12.5	.62	.187	.186
CLM-125-SPS-1	—	M12	3.5	19	.75	.250	.248

DELRIN® PLUNGER NOSE (METRIC)

PART NO.		A	END FORCE (LBS)		B	C	D DIA
STEEL	STAINLESS		INITIAL	FINAL			
CLM-55-SPN-1	—	M5	1.2	4.2	.47	.125	.093
CLM-65-SPN-1	—	M6	2.0	7.0	.53	.187	.119
CLM-85-SPN-1	—	M8	2.5	10.5	.56	.187	.135
CLM-105-SPN-1	—	M10	3.0	12.5	.62	.187	.186
CLM-125-SPN-1	—	M12	3.5	19	.75	.250	.248

PRESS-FIT SPRING PLUNGERS

STEEL – BODY: 12L14 STEEL, BLACK OXIDE FINISH. PLUNGER NOSE: 12L14 STEEL, CARBURIZED-HARDENED, BLACK OXIDE FINISH OR ZINC PLATED CLEAR CHROMATE (OR DELRIN®). SPRING: MUSIC WIRE.
 STAINLESS STEEL – BODY: 300-SERIES STAINLESS. PLUNGER NOSE: 300-SERIES STAINLESS (OR DELRIN®).
 SPRING: 302 STAINLESS



Simple, economical spring-loaded plunger ideal for installation in softer materials, such as aluminum, wood or plastic. Sturdy shoulder provides a fixed seating position and positively resists detent force (installation hole can be counterbored to recess the shoulder). Use when a threaded hole would be impractical and/or adjustment is not required. Choice of six sizes, each in light or heavy force. Available in steel, with a hardened plunger nose, or stainless steel. Optionally available with a Delrin® nose to prevent marring. Note: Catalog photos are actual size.

STANDARD PLUNGER NOSE, LIGHT FORCE

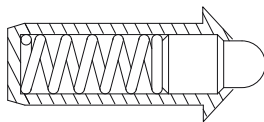
PART NO.		A DIA	END FORCE (LBS)		B	C	D	E DIA	F
STEEL	STAINLESS		INITIAL	FINAL					
CL-2-PSP-1	CL-2-PSPS-1	.125	.5	1	.252	.062	.070	.187	.032
CL-3-PSP-1	CL-3-PSPS-1	.188	.8	2.5	.405	.094	.121	.250	.035
CL-4-PSP-1	CL-4-PSPS-1	.250	1.5	3	.481	.125	.168	.312	.044
CL-5-PSP-1	CL-5-PSPS-1	.312	2	5	.643	.151	.186	.375	.045
CL-6-PSP-1	CL-6-PSPS-1	.375	2.5	7	.785	.187	.234	.500	.078
CL-8-PSP-1	CL-8-PSPS-1	.500	4	9	1.130	.250	.332	.688	.088

STANDARD PLUNGER NOSE, HEAVY FORCE

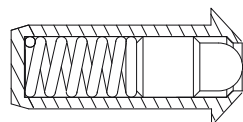
PART NO.		A DIA	END FORCE (LBS)		B	C	D	E DIA	F
STEEL	STAINLESS		INITIAL	FINAL					
CL-2-PSP-2	CL-2-PSPS-2	.125	1	2	.252	.062	.070	.187	.032
CL-3-PSP-2	CL-3-PSPS-2	.188	1.5	4.5	.405	.094	.121	.250	.035
CL-4-PSP-2	CL-4-PSPS-2	.250	2.5	6	.481	.125	.168	.312	.044
CL-5-PSP-2	CL-5-PSPS-2	.312	4	10	.643	.151	.186	.375	.045
CL-6-PSP-2	CL-6-PSPS-2	.375	5	14	.785	.187	.234	.500	.078
CL-8-PSP-2	CL-8-PSPS-2	.500	8	18	1.130	.250	.332	.688	.088

DELRIN® PLUNGER NOSE, LIGHT FORCE

PART NO.		A DIA	END FORCE (LBS)		B	C	D	E DIA	F
STEEL	STAINLESS		INITIAL	FINAL					
CL-2-PSPN-1	CL-2-PSPSN-1	.125	.5	1	.252	.062	.070	.187	.032
CL-3-PSPN-1	CL-3-PSPSN-1	.188	.8	2.5	.405	.094	.121	.250	.035
CL-4-PSPN-1	CL-4-PSPSN-1	.250	1.5	3	.481	.125	.168	.312	.044
CL-5-PSPN-1	CL-5-PSPSN-1	.312	2	5	.643	.151	.186	.375	.045
CL-6-PSPN-1	CL-6-PSPSN-1	.375	2.5	7	.785	.187	.234	.500	.078
CL-8-PSPN-1	CL-8-PSPSN-1	.500	4	9	1.130	.250	.332	.688	.088



Nose Extended



Nose Retracted

DELRIN® PLUNGER NOSE, HEAVY FORCE

PART NO.		A DIA	END FORCE (LBS)		B	C	D	E DIA	F
STEEL	STAINLESS		INITIAL	FINAL					
CL-2-PSPN-2	CL-2-PSPSN-2	.125	1	2	.252	.062	.070	.187	.032
CL-3-PSPN-2	CL-3-PSPSN-2	.188	1.5	4.5	.405	.094	.121	.250	.035
CL-4-PSPN-2	CL-4-PSPSN-2	.250	2.5	6	.481	.125	.168	.312	.044
CL-5-PSPN-2	CL-5-PSPSN-2	.312	4	10	.643	.151	.186	.375	.045
CL-6-PSPN-2	CL-6-PSPSN-2	.375	5	14	.785	.187	.234	.500	.078
CL-8-PSPN-2	CL-8-PSPSN-2	.500	8	18	1.130	.250	.332	.688	.088

BALL PLUNGERS

TYPES



STANDARD, STEEL BALL

Self-contained ball-and-spring device available in many sizes and forces. Locking element holds the unit securely in place after installation. Install and/or adjust from either end.



STANDARD, DELRIN® BALL

Self-contained ball-and-spring device available in many sizes and forces. Locking element holds the unit securely in place after installation. Install and/or adjust from either end.



PRESS FIT

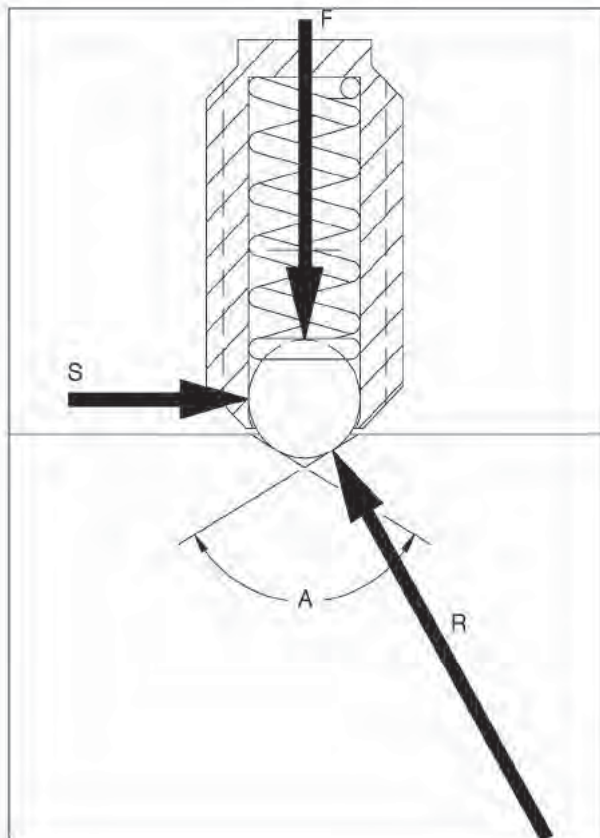
Simple, economical spring-loaded plunger ideal for installation in softer materials, such as aluminum, wood, or plastic. Sturdy shoulder provides a fixed seating position.



SELF-RETAINING

Due to their self-retaining design, these press-fit ball plungers can be securely installed in an ordinary drilled hole. The slotted end of the thermoplastic body expands to compensate for hole tolerances up to .008" oversize.

TECHNICAL INFORMATION

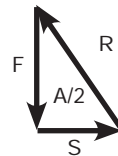


INSTALLATION:

To obtain full locking torque, countersink the installation hole to avoid cutting the locking element. Countersink at a 90-100° angle to a diameter 1/32" larger than the major thread diameter. Then, as you screw the plunger into its hole, the locking element will be compressed, not cut. **INFO+:** See page 159 for plunger wrenches.

BREAKAWAY FORCE:

To calculate the side force needed to slide a ball plunger out of its detent hole, refer to the free-body force diagram to the left. In the diagram, S= Side force, F= End force (spring force), R= Reaction force, and A= Countersink angle. The reaction force (R) is perpendicular to the contact surface. Solving for side force (S):



$$S = \frac{F}{\tan(A/2)}$$

End force (F) depends on how far the spring will be compressed, which depends on how far away from the sliding surface the ball plunger is installed. Maximum spring compression and end force occur as the ball breaks out of its hole.

BREAKAWAY-FORCE EXAMPLE:

A CL-40-BP-3 ball plunger (1/4-20) exerts an initial force of 4 lbs, a half-way force of 8 lbs, and a final force of 12 lbs. With a 90° countersink angle and half-way compression:

$$S = \frac{8 \text{ lbs}}{\tan(90^\circ/2)} = 8 \text{ lbs}$$

$$S = \frac{8 \text{ lbs}}{\tan(120^\circ/2)} = 4.6 \text{ lbs}$$

BALL PLUNGERS

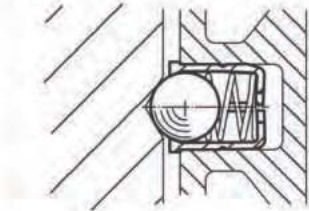
SELECTION CHART:

STYLE	4-48	5-40	M3	6-40	8-32	M4	8-36	10-32	M6	1/4-20	M8	5/16-18	M10	3/8-16	M12	1/2-13	M16	5/8-11
Ball Plunger	X	X	X	X	X	X	X	X	X	X	X	X	X	X	X	X	X	X
Ball Plunger, Stainless Steel	X	X	X	X	X	X	X	X	X	X	X	X	X	X	X	X	X	X
Ball Plunger, Delrin® Body										X		X		X				
Ball Plunger, Delrin® Ball	X	X	X	X	X	X	X	X	X	X	X	X	X	X	X	X	X	X
Ball Plunger, Stainless Steel, Delrin® Ball	X	X	X	X	X	X	X	X	X	X	X	X	X	X	X	X	X	X
Ball Plunger, Delrin® Body, Delrin® Ball										X		X		X				
Press Fit Ball Plunger					1/8"			3/16"		1/4"		5/16"		3/8"		1/2"		
Press Fit Ball Plunger, Stainless Steel Ball					1/8"			3/16"		1/4"		5/16"		3/8"		1/2"		
Press Fit Ball Plunger, Delrin® Ball					1/8"			3/16"		1/4"		5/16"		3/8"		1/2"		
Press Fit Ball Plunger, Stainless Steel, Delrin® Ball					1/8"			3/16"		1/4"		5/16"		3/8"		1/2"		
Self-Retaining Stainless Steel Ball								3/16"		1/4"				3/8"		1/2"		

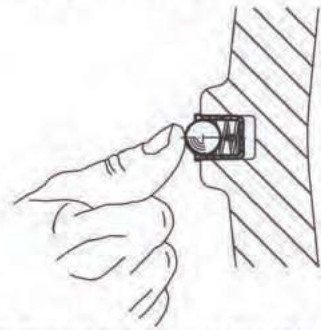
New Self-Retaining Ball Plungers

The slotted end of the thermoplastic body expands to compensate for hole tolerances up to .008".

Due to their self-retaining design, these press-fit ball plungers can be securely installed in an ordinary drilled hole.



These plungers can be installed in a plain hole, with the shoulder exposed, or slightly counterbored for flush installation.

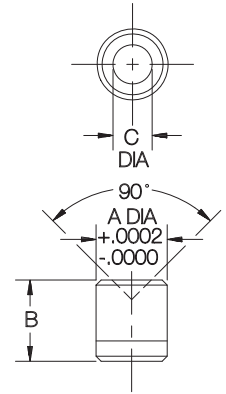
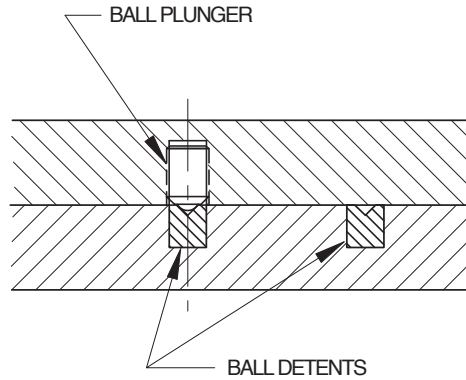


Self-Retaining Ball Plungers can often be installed by hand, due to the body's flexible design.

See Page 163

BALL DETENTS

440C STAINLESS STEEL, HEAT TREATED

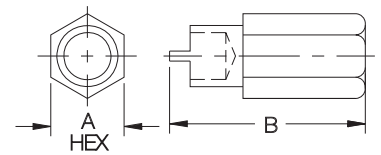
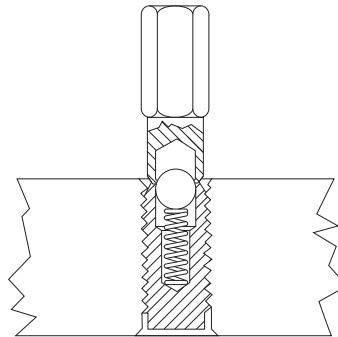


Press-in receptacle that provides a perfect mating hole for a Ball Plunger. Hole has a 90° point for smooth detent action and reliable retention. These hardened Ball Detents resist side loads to prevent wear to the parent material. Available in sizes to fit all Ball Plungers, from #4-48 to 5/8-11 (M4 to M12 in metric).

PART NO.	FOR BALL PLUNGER	A DIA	B	C DIA
CL-1-BD	#4-48, #5-40, M3	.1075	1/8	.056
CL-2-BD	#6-40	.1175	1/8	.061
CL-3-BD	#8-32, #8-36, #10-32, M4, M5	.1614	3/16	.082
CL-4-BD	1/4-20, M6	.2034	1/4	.111
CL-5-BD	5/16-18, M8	.2659	5/16	.139
CL-6-BD	3/8-16, M10	.3284	3/8	.164
CL-8-BD	1/2-13, M12	.4378	1/2	.241
CL-10-BD	5/8-11, M16	.5472	5/8	.330

PLUNGER WRENCHES

STEEL



Handy tool to speed up installation of Ball Plungers or Spring Plungers. Much better than using a screwdriver on the ball/nose end, because the clearance hole in the center prevents over-compressing the plunger's internal spring. Available in sizes to fit all Ball Plungers and Spring Plungers, from #4-48 to 1"-8 (M4 to M12 in metric).

PART NO.	FITS THESE PLUNGER SIZES	A	B
CL-2-SPW	#4-48, #5-40, #6-32, #6-40	1/4	7/8
CL-4-SPW	#8-32, #8-36, M4	1/4	7/8
CL-6-SPW	#10-32, M5	1/4	7/8
CL-8-SPW	1/4-20, 1/4-28, M6	1/4	1
CL-10-SPW	5/16-18, M8	3/8	1
CL-12-SPW	3/8-16, M10	3/8	1
CL-14-SPW	1/2-13, M12	1/2	1
CL-16-SPW	5/8-11	5/8	1-1/8
CL-18-SPW	3/4-10	3/4	1-1/8
CL-20-SPW	1"-8	7/8	1-3/8

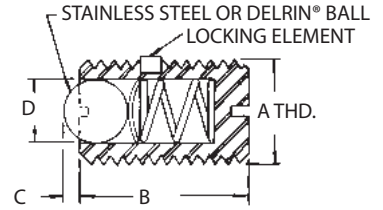
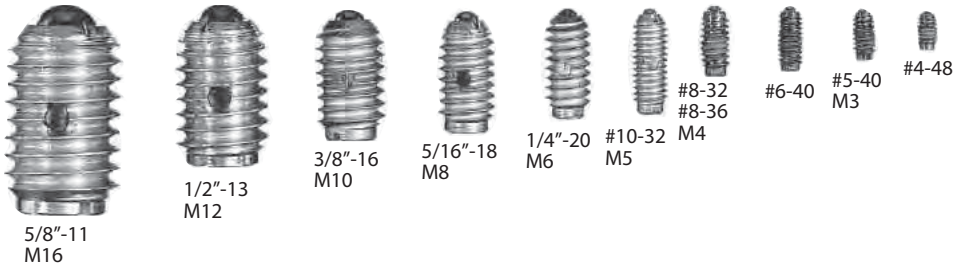
BALL PLUNGERS

STEEL – BODY: 12L14 STEEL, ZINC PLATED OR BLACK OXIDE FINISH.

BALL: 440C STAINLESS. SPRING: MUSIC WIRE

STAINLESS STEEL – BODY: 300-SERIES STAINLESS. BALL: 440C STAINLESS. SPRING: 302 STAINLESS.

DELRIN® – BODY: DELRIN® 500, WHITE, BLACK, OR YELLOW. BALL: 440C STAINLESS. SPRING: 302 STAINLESS



STANDARD BALL (INCH)

PART NO.			A	END FORCE (LBS)		B	C	D DIA	COLOR CODE
STEEL BODY	STAINLESS BODY	DELRIN® BODY		INITIAL	FINAL				
CL-5-BP-1	CL-5-SBP-1	—	#4-48	1/8	1/2	3/16	.020	.062	PLAIN
CL-10-BP-1	CL-10-SBP-1	—	#5-40	1/4	3/4	1/4			
CL-15-BP-1	CL-15-SBP-1	—	#6-40	1/2	1	5/16			
CL-22-BP-1	CL-22-SBP-1	—	#8-32	1/2	1-1/4	11/32			
CL-20-BP-1	CL-20-SBP-1	—	#8-36						
CL-30-BP-1	CL-30-SBP-1	—	#10-32	1/2	1-1/2	33/64			
CL-30-BP-2	CL-30-SBP-2	—		1-1/2	3		BLACK		
CL-30-BP-3	CL-30-SBP-3	—		2	5		YELLOW		
CL-40-BP-1	CL-40-SBP-1	CL-40-DBP-1-LL	1/4-20	2	4	17/32	.035	.125	PLAIN
CL-40-BP-2	CL-40-SBP-2	CL-40-DBP-2-LL		3	7				BLACK
CL-40-BP-3	CL-40-SBP-3	CL-40-DBP-3-LL		4	12				YELLOW
CL-50-BP-1	CL-50-SBP-1	CL-50-DBP-1-LL	5/16-18	2	4-1/2	37/64	.040	.156	PLAIN
CL-50-BP-2	CL-50-SBP-2	CL-50-DBP-2-LL		4	9				BLACK
CL-50-BP-3	CL-50-SBP-3	CL-50-DBP-3-LL		6	17				YELLOW
CL-60-BP-1	CL-60-SBP-1	CL-60-DBP-1-LL	3/8-16	2-1/2	5	5/8	.048	.187	PLAIN
CL-60-BP-2	CL-60-SBP-2	CL-60-DBP-2-LL		5	10				BLACK
CL-60-BP-3	CL-60-SBP-3	CL-60-DBP-3-LL		6	21				YELLOW
CL-70-BP-1	CL-70-SBP-1	—	1/2-13	3	6	3/4	.072	.281	PLAIN
CL-70-BP-2	CL-70-SBP-2	—		6	12				BLACK
CL-70-BP-3	CL-70-SBP-3	—		6	30				YELLOW
CL-80-BP-1	CL-80-SBP-1	—	5/8-11	4-1/2	9	63/64	.096	.375	PLAIN
CL-80-BP-2	CL-80-SBP-2	—		9	18				BLACK
CL-80-BP-3	CL-80-SBP-3	—		7	50				YELLOW

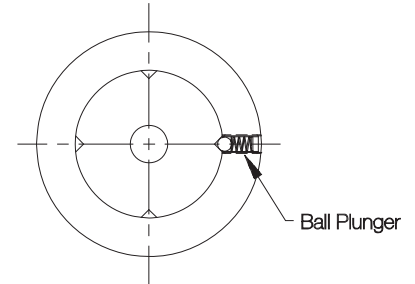
STANDARD BALL (METRIC)

—	CLM-3-SBP-1	—	M3	.12	.5	.19	.020	.062	PLAIN
CLM-4-BP-1	CLM-4-SBP-1	—	M4	0.6	1.1	.34	.024	.094	PLAIN
CLM-5-BP-2	CLM-5-SBP-2	—	M5	.5	1.5	.51	.024	.094	PLAIN
CLM-5-BP-1	CLM-5-SBP-1	—		1.5	2.9				GREEN
CLM-5-BP-3	CLM-5-SBP-3	—		2	4.9				YELLOW
CLM-6-BP-2	CLM-6-SBP-2	—	M6	2	4	.53	.035	.125	PLAIN
CLM-6-BP-1	CLM-6-SBP-1	—		2.9	7				GREEN
CLM-6-BP-3	CLM-6-SBP-3	—		4	12				YELLOW
CLM-8-BP-2	CLM-8-SBP-2	—	M8	2.2	4.4	.58	.039	.156	PLAIN
CLM-8-BP-1	CLM-8-SBP-1	—		3.9	8.8				GREEN
CLM-8-BP-3	CLM-8-SBP-3	—		6.1	17.1				YELLOW
CLM-10-BP-2	CLM-10-SBP-2	—	M10	2.5	5.0	.63	.047	.187	PLAIN
CLM-10-BP-1	CLM-10-SBP-1	—		5.0	9.9				GREEN
CLM-10-BP-3	CLM-10-SBP-3	—		6.1	20.9				YELLOW
CLM-12-BP-2	CLM-12-SBP-2	—	M12	3.0	6.1	.75	.079	.281	PLAIN
CLM-12-BP-1	CLM-12-SBP-1	—		6.1	12.1				GREEN
CLM-12-BP-3	CLM-12-SBP-3	—		6.1	29.7				YELLOW
CLM-16-BP-2	CLM-16-SBP-2	—	M16	4.5	9	.98	.098	.375	PLAIN
CLM-16-BP-1	CLM-16-SBP-1	—		9	18				GREEN
CLM-16-BP-3	CLM-16-SBP-3	—		7	50				YELLOW

BALL PLUNGERS

STAINLESS STEEL – BODY: 300-SERIES STAINLESS. BALL: WHITE DELRIN® 500. SPRING: 302 STAINLESS.
 DELRIN® – BODY: DELRIN® 500, BLACK, OR YELLOW. BALL: WHITE DELRIN® 500. SPRING: 302 STAINLESS.

Self-contained ball-and-spring device available in many sizes and forces. Available in thread sizes from #4-48 to 5/8-11 (M3 to M16 in metric). Choice of light, medium, or heavy force in most thread sizes. Available in steel, stainless steel or Delrin®, all with a 440C stainless steel ball (optionally available with a Delrin® ball). Locking element (steel and stainless only) holds the unit securely in place after installation. Install and/or adjust from either end (when using the slot at the ball end, install with a Plunger Wrench to avoid over-compressing the spring). The three smallest sizes, and all Delrin® sizes, have no slot at the ball end. Note: Catalog photos are actual size.



DELRIN® BALL (INCH)

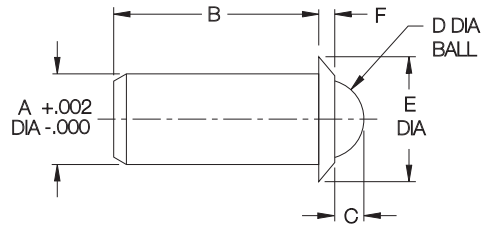
PART NO.		A	END FORCE (LBS)		B	C	D DIA	COLOR CODE
STAINLESS BODY	DELRIN® BODY		INITIAL	FINAL				
CL-5-SBPN-1	—	#4-48	1/8	1/2	3/16	.020	.062	PLAIN
CL-10-SBPN-1	—	#5-40	1/4	3/4	1/4			
CL-15-SBPN-1	—	#6-40	1/2	1	5/16	.023	.078	
CL-22-SBPN-1	—	#8-32	1/2	1-1/4	11/32	.025	.093	
CL-20-SBPN-1	—	#8-36						
CL-30-SBPN-1	—	#10-32	1/2	1-1/2	33/64	.025	.093	PLAIN
CL-30-SBPN-2	—		1-1/2	3				BLACK
CL-30-SBPN-3	—		2	5				YELLOW
CL-40-SBPN-1	CL-40-DBPN-1-LL	1/4-20	2	4	17/32	.035	.125	PLAIN
CL-40-SBPN-2	CL-40-DBPN-2-LL		3	7				BLACK
CL-40-SBPN-3	—		4	12				YELLOW
CL-50-SBPN-1	CL-50-DBPN-1-LL	5/16-18	2	4-1/2	37/64	.040	.156	PLAIN
CL-50-SBPN-2	CL-50-DBPN-2-LL		4	9				BLACK
CL-50-SBPN-3	—		6	17				YELLOW
CL-60-SBPN-1	CL-60-DBPN-1-LL	3/8-16	2-1/2	5	5/8	.048	.187	PLAIN
CL-60-SBPN-2	CL-60-DBPN-2-LL		5	10				BLACK
CL-60-SBPN-3	—		6	21				YELLOW
CL-70-SBPN-1	—	1/2-13	3	6	3/4	.072	.281	PLAIN
CL-70-SBPN-2	—		6	12				BLACK
CL-70-SBPN-3	—		6	30				YELLOW
CL-80-SBPN-1	—	5/8-11	4-1/2	9	63/64	.096	.375	PLAIN
CL-80-SBPN-2	—		9	18				BLACK
CL-80-SBPN-3	—		7	50				YELLOW

DELRIN® BALL (METRIC)

CLM-3-SBPN-1	—	M3	.12	.5	.19	.020	.062	PLAIN
CLM-4-SBPN-1	—	M4	.9	2.2	.34	.024	.094	PLAIN
CLM-5-SBPN-2	—	M5	.5	1.5	.51	.024	.094	PLAIN
CLM-5-SBPN-1	—		1.5	2.9				GREEN
CLM-6-SBPN-2	—	M6	2	4	.53	.035	.125	PLAIN
CLM-6-SBPN-1	—		2.9	7				GREEN
CLM-8-SBPN-2	—	M8	2.2	4.4	.58	.039	.156	PLAIN
CLM-8-SBPN-1	—		3.9	9				GREEN
CLM-10-SBPN-2	—	M10	2.5	5	.63	.047	.187	PLAIN
CLM-10-SBPN-1	—		5	10				GREEN
CLM-12-SBPN-2	—	M12	3	6	.75	.079	.281	PLAIN
CLM-12-SBPN-1	—		6	12				GREEN
CLM-16-SBPN-2	—	M16	4.5	9	.98	.098	.375	PLAIN
CLM-16-SBPN-1	—		9	18				GREEN

PRESS-FIT BALL PLUNGERS

STEEL – BODY: 12L14 STEEL, BLACK OXIDE FINISH. BALL: 440C STAINLESS (OR DELRIN®). SPRING: MUSIC WIRE
 STAINLESS STEEL – BODY: 300-SERIES STAINLESS. BALL: 440C STAINLESS (OR DELRIN®). SPRING: 302 STAINLESS



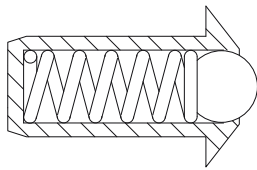
Simple, economical ball plunger ideal for installation in softer materials, such as aluminum, wood or plastic. Sturdy shoulder provides a fixed seating position and positively resists detent force (installation hole can be counterbored to recess the shoulder). Use when a threaded hole would be impractical and/or adjustment is not required. Available in steel or stainless steel. Choice of six sizes, each in light or heavy force, with a stainless steel or Delrin® ball. Note: Catalog photos are actual size.

STANDARD BALL, LIGHT FORCE

PART NO.		A DIA	END FORCE (LBS)		B	C	D DIA	E DIA	F
STEEL	STAINLESS		INITIAL	FINAL					
CL-2-PBP-1	CL-2-PBPS-1	.125	.5	1	.252	.035	.093	.187	.032
CL-3-PBP-1	CL-3-PBPS-1	.188	1	2.5	.405	.058	.156	.250	.035
CL-4-PBP-1	CL-4-PBPS-1	.250	1.5	3.5	.481	.070	.188	.312	.044
CL-5-PBP-1	CL-5-PBPS-1	.312	2	5	.643	.090	.250	.375	.045
CL-6-PBP-1	CL-6-PBPS-1	.375	2.5	7	.785	.110	.312	.500	.078
CL-8-PBP-1	CL-8-PBPS-1	.500	4	9	1.130	.161	.438	.688	.088

STANDARD BALL, HEAVY FORCE

PART NO.		A DIA	END FORCE (LBS)		B	C	D DIA	E DIA	F
STEEL	STAINLESS		INITIAL	FINAL					
CL-2-PBP-2	CL-2-PBPS-2	.125	.75	2.5	.252	.035	.093	.187	.032
CL-3-PBP-2	CL-3-PBPS-2	.188	2	5	.405	.058	.156	.250	.035
CL-4-PBP-2	CL-4-PBPS-2	.250	3	7	.481	.070	.188	.312	.044
CL-5-PBP-2	CL-5-PBPS-2	.312	4	10	.643	.090	.250	.375	.045
CL-6-PBP-2	CL-6-PBPS-2	.375	5	14	.785	.110	.312	.500	.078
CL-8-PBP-2	CL-8-PBPS-2	.500	8	18	1.130	.161	.438	.688	.088

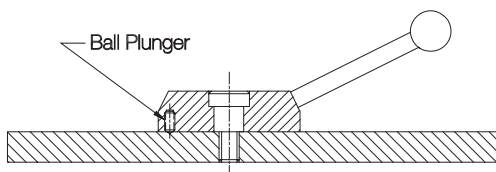


DELRIN® BALL, LIGHT FORCE

PART NO.		A DIA	END FORCE (LBS)		B	C	D DIA	E DIA	F
STEEL	STAINLESS		INITIAL	FINAL					
CL-2-PBPN-1	CL-2-PBPSN-1	.125	.5	1	.252	.035	.093	.187	.032
CL-3-PBPN-1	CL-3-PBPSN-1	.188	1	2.5	.405	.058	.156	.250	.035
CL-4-PBPN-1	CL-4-PBPSN-1	.250	1.5	3.5	.481	.070	.188	.312	.044
CL-5-PBPN-1	CL-5-PBPSN-1	.312	2	5	.643	.090	.250	.375	.045
CL-6-PBPN-1	CL-6-PBPSN-1	.375	2.5	7	.785	.110	.312	.500	.078
CL-8-PBPN-1	CL-8-PBPSN-1	.500	4	9	1.130	.161	.438	.688	.088

DELRIN® BALL, HEAVY FORCE

PART NO.		A DIA	END FORCE (LBS)		B	C	D DIA	E DIA	F
STEEL	STAINLESS		INITIAL	FINAL					
CL-2-PBPN-2	CL-2-PBPSN-2	.125	.75	2.5	.252	.035	.093	.187	.032
CL-3-PBPN-2	CL-3-PBPSN-2	.188	2	5	.405	.058	.156	.250	.035
CL-4-PBPN-2	CL-4-PBPSN-2	.250	3	7	.481	.070	.188	.312	.044
CL-5-PBPN-2	CL-5-PBPSN-2	.312	4	10	.643	.090	.250	.375	.045
CL-6-PBPN-2	CL-6-PBPSN-2	.375	5	14	.785	.110	.312	.500	.078
CL-8-PBPN-2	CL-8-PBPSN-2	.500	8	18	1.130	.161	.438	.688	.088

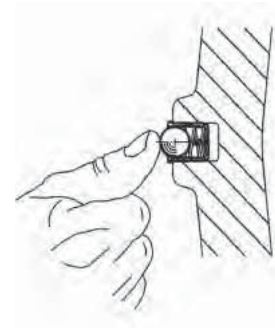


SELF-RETAINING BALL PLUNGERS

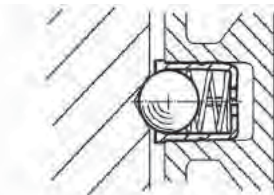
BODY: BLACK THERMOPLASTIC (POM)
 BALL: STAINLESS STEEL, HARDENED
 SPRING: STAINLESS STEEL



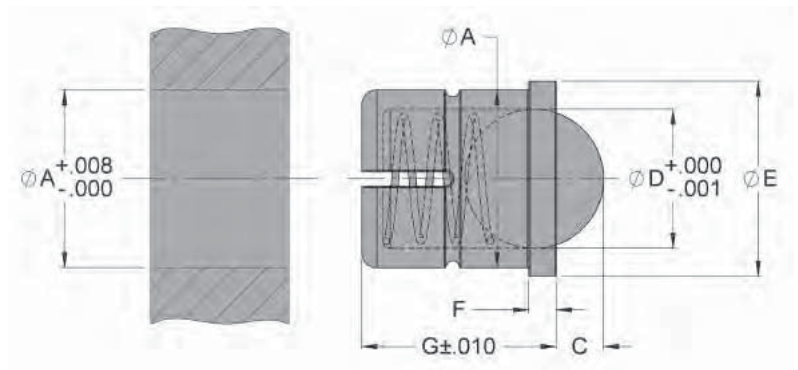
Due to their self-retaining design, these press-fit ball plungers can be securely installed in an ordinary drilled hole. The slotted end of the thermoplastic body expands to compensate for hole tolerances up to .008" oversize. Sturdy shoulder provides a fixed seating position and positively resists detent force. Installation hole can be counterbored to recess the shoulder. Note: catalog photos are actual size.



Self-Retaining Ball Plungers can often be installed by hand, due to the body's flexible design.



These plungers can be installed in a plain hole, with the shoulder exposed, or slightly counterbored for flush installation.

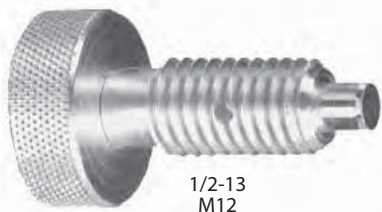
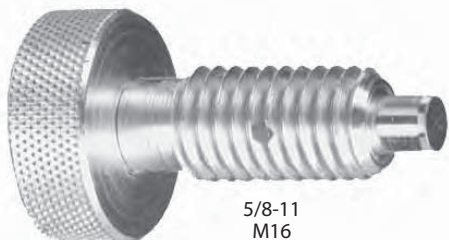


INCH

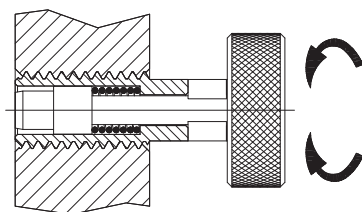
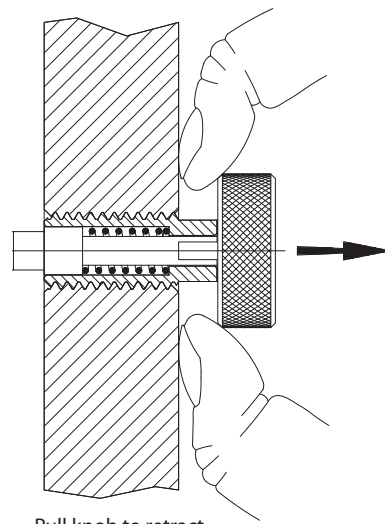
PART NO.	A DIA	END FORCE (LBS)		C	D DIA	E DIA	F	G
		INITIAL	FINAL					
CL-3-SRBP-1	.188	1.3	2.1	.031	.157	.220	.039	.236
CL-4-SRBP-1	.250	1.4	2.8	.039	.197	.276	.039	.276
CL-6-SRBP-1	.375	2.7	5.0	.063	.315	.433	.059	.531
CL-8-SRBP-1	.500	3.1	5.6	.078	.394	.551	.059	.630

HAND-RETRACTABLE PLUNGERS

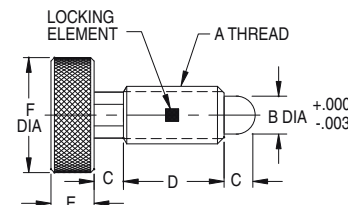
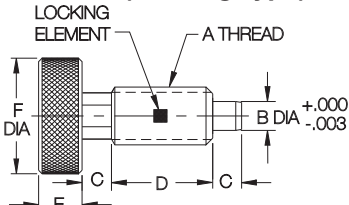
STEEL: 12L14 BODY, 12L14 PLUNGER CARBURIZED-HARDENED (OR DELRIN®, 17-7PH SPRING.
 ALL STEEL COMPONENTS ZINC PLATED CLEAR CHROMATE.
 STAINLESS STEEL: 300 SERIES



Spring-loaded plunger that locks in retracted position. To lock, pull knurled knob back and turn 90°. Standard plunger has a slight taper on plunger tip for easy alignment. Also available with a radiused Delrin® plunger (slightly larger diameter and lighter spring force). Available in steel or stainless steel. Note: Catalog photos are actual size.



Knurled Head (Locking Type)



Standard Plunger

Radiused Delrin® Plunger

KNURLED HEAD — STEEL (INCH)

PART NO. STANDARD PLUNGER	PART NO. RADIUSED DELRIN PLUNGER	A	STANDARD PLUNGER				RADIUSED DELRIN® PLUNGER				C	D	E	F DIA
			END FORCE (LBS)		B DIA		END FORCE (LBS)		B DIA					
			INITIAL	FINAL	NOMINAL	ACTUAL	INITIAL	FINAL	NOMINAL	ACTUAL				
CL-3-HRP	—	#10-32	1	3.5	7/64	.105	—	—	—	—	3/32	13/32	3/16	3/8
CL-4-HRP	CL-4-HRPN	1/4-20	1	5	1/8	.125	.5	2.5	5/32	.145	1/8	1/2	1/4	1/2
CL-5-HRP	CL-5-HRPN	5/16-18	1.5	6	5/32	.156	.7	3	3/16	.180	3/16	5/8	9/32	5/8
CL-6-HRP	CL-6-HRPN	3/8-16	1.5	8	3/16	.187	.7	4	7/32	.217	7/32	3/4	5/16	3/4
CL-8-HRP	CL-8-HRPN	1/2-13	2.5	10	1/4	.250	1.2	5	5/16	.311	1/4	7/8	3/8	1
CL-10-HRP	CL-10-HRPN	5/8-11	5	10	5/16	.312	3	6	3/8	.374	5/16	1	3/8	1-1/8

KNURLED HEAD — STAINLESS (INCH)

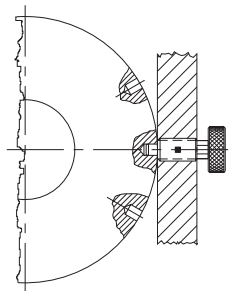
CL-3-HRP-S	—	#10-32	1	3.5	7/64	.105	—	—	—	—	3/32	13/32	3/16	3/8
CL-4-HRP-S	CL-4-HRPN-S	1/4-20	1	5	1/8	.125	.5	2.5	5/32	.145	1/8	1/2	1/4	1/2
CL-5-HRP-S	CL-5-HRPN-S	5/16-18	1.5	6	5/32	.156	.7	3	3/16	.180	3/16	5/8	9/32	5/8
CL-6-HRP-S	CL-6-HRPN-S	3/8-16	1.5	8	3/16	.187	.7	4	7/32	.217	7/32	3/4	5/16	3/4
CL-8-HRP-S	CL-8-HRPN-S	1/2-13	2.5	10	1/4	.250	1.2	5	5/16	.311	1/4	7/8	3/8	1
CL-10-HRP-S	CL-10-HRPN-S	5/8-11	5	10	5/16	.312	3	6	3/8	.374	5/16	1	3/8	1-1/8

KNURLED HEAD — STEEL (METRIC)

CLM-6-HRP	—	M6	1	5	3mm	.118	—	—	—	—	1/8	1/2	1/4	1/2
CLM-8-HRP	—	M8	1.5	6	4mm	.157	—	—	—	—	3/16	5/8	9/32	5/8
CLM-10-HRP	—	M10	1.5	8	5mm	.197	—	—	—	—	7/32	3/4	5/16	3/4
CLM-12-HRP	—	M12	2.5	10	6mm	.236	—	—	—	—	1/4	7/8	3/8	1
CLM-16-HRP	—	M16	5	10	8mm	.315	—	—	—	—	5/16	1	3/8	1-1/8

KNURLED HEAD — STAINLESS (METRIC)

CLM-6-HRP-S	—	M6	1	5	3mm	.118	—	—	—	—	1/8	1/2	1/4	
CLM-8-HRP-S	—	M8	1.5	6	4mm	.157	—	—	—	—	3/16	5/8	9/32	
CLM-10-HRP-S	—	M10	1.5	8	5mm	.197	—	—	—	—	7/32	3/4	5/16	
CLM-12-HRP-S	—	M12	2.5	10	6mm	.236	—	—	—	—	1/4	7/8	3/8	
CLM-16-HRP-S	—	M16	5	10	8mm	.315	—	—	—	—	5/16	1	3/8	



HAND-RETRACTABLE PLUNGERS

STEEL: 12L14 BODY, 12L14 PLUNGER CARBURIZED-HARDENED, 17-7PH SPRING.
ALL STEEL COMPONENTS ZINC PLATED CLEAR CHROMATE.
STAINLESS STEEL: 300 SERIES



5/8-11



1/2-13
M12



3/8-16
M10



5/16-18
M8



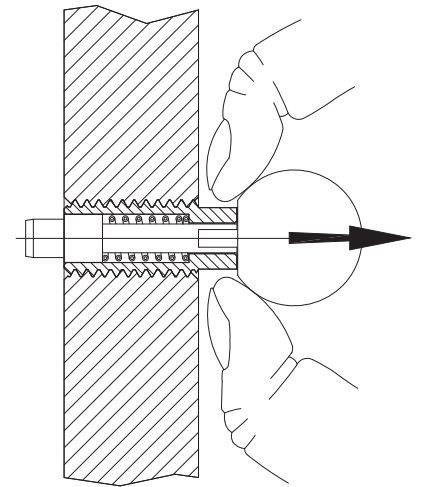
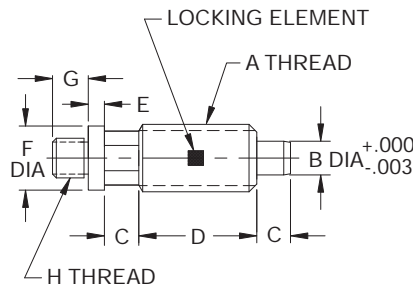
1/4-20
M6



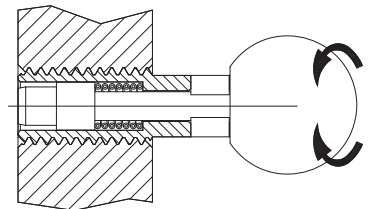
#10-32

Threaded Stud for Knob Handle (Locking Type)

Spring-loaded plunger that locks in retracted position. To lock, pull knob back and turn 90°. Slight taper on plunger tip for easy alignment. Available in steel or stainless steel. The threaded-stud version shown here accepts virtually any type of knob handle (**INFO+**: order separately — available in steel, stainless steel, and several different plastics, see pages 139-146). Knob handles can be permanently secured with thread-locking adhesive if desired. Note: Catalog photos are actual size.



Pull knob to retract...



... then turn 90° in either direction to lock.

THREADED STUD FOR KNOB HANDLE — STEEL (INCH)

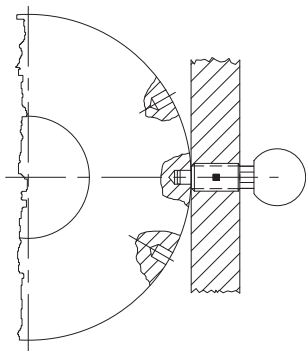
PART NO.	A	END FORCE (LBS)		B DIA		C	D	E	F DIA	G	H
		INITIAL	FINAL	NOMINAL	ACTUAL						
CL-3-HRPT	#10-32	1	3	—	.105	3/32	13/32	5/64	5/16	15/64	#10-32
CL-4-HRPT	1/4-20	1	5	1/8	.125	1/8	1/2	3/32	5/16	15/64	#10-32
CL-5-HRPT	5/16-18	1.5	6	5/32	.156	3/16	5/8	3/32	5/16	11/32	1/4-20
CL-6-HRPT	3/8-16	1.5	8	3/16	.187	7/32	3/4	1/8	3/8	13/32	5/16-18
CL-8-HRPT	1/2-13	2.5	10	1/4	.250	1/4	7/8	1/8	1/2	7/16	3/8-16
CL-10-HRPT	5/8-11	5	10	5/16	.312	5/16	1	5/32	5/8	1/2	1/2-13

THREADED STUD FOR KNOB HANDLE — STAINLESS STEEL (INCH)

CL-3-HRPT-S	#10-32	1	3.5	7/64	.105	3/32	13/32	5/64	5/16	15/64	#10-32
CL-4-HRPT-S	1/4-20	1	5	1/8	.125	1/8	1/2	3/32	5/16	15/64	#10-32
CL-5-HRPT-S	5/16-18	1.5	6	5/32	.156	3/16	5/8	3/32	5/16	11/32	1/4-20
CL-6-HRPT-S	3/8-16	1.5	8	3/16	.187	7/32	3/4	1/8	3/8	13/32	5/16-18
CL-8-HRPT-S	1/2-13	2.5	10	1/4	.250	1/4	7/8	1/8	1/2	7/16	3/8-16
CL-10-HRPT-S	5/8-11	5	10	5/16	.312	5/16	1	5/32	5/8	1/2	1/2-13

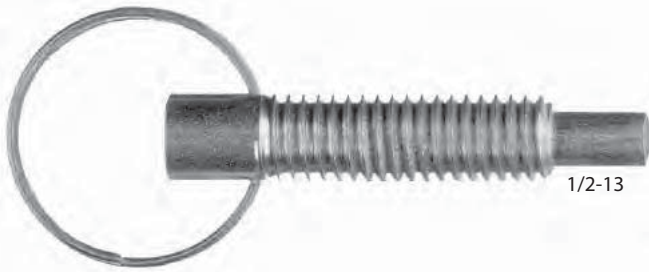
THREADED STUD FOR KNOB HANDLE — STEEL (METRIC)

CLM-6-HRPT	M6	1	5	3mm	.1181	1/8	1/2	3/32	5/16	15/64	#10-32
CLM-8-HRPT	M8	1.5	6	4mm	.1575	3/16	5/8	3/32	5/16	11/32	1/4-20
CLM-10-HRPT	M10	1.5	8	5mm	.1969	7/32	3/4	1/8	3/8	13/32	5/16-18
CLM-12-HRPT	M12	2.5	10	6mm	.2362	1/4	7/8	1/8	1/2	7/16	3/8-16

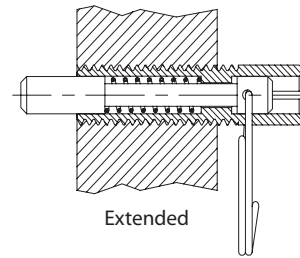


HAND-RETRACTABLE PLUNGERS

STEEL: 12L14 BODY, 12L14 PLUNGER CARBURIZED-HARDENED, 17-7PH SPRING
 ALL STEEL COMPONENTS ZINC PLATED CLEAR CHROMATE
 STAINLESS STEEL: 300 SERIES



1/2-13

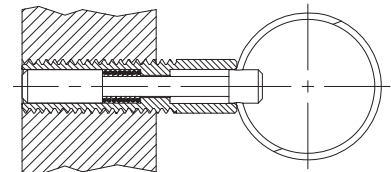


Extended



3/8-16

Spring-loaded plunger that can be withdrawn completely into the body and locked in retracted position. Comfortable pull ring allows quick actuation, yet stays out of the way when not in use. Note: Catalog photos are actual size.

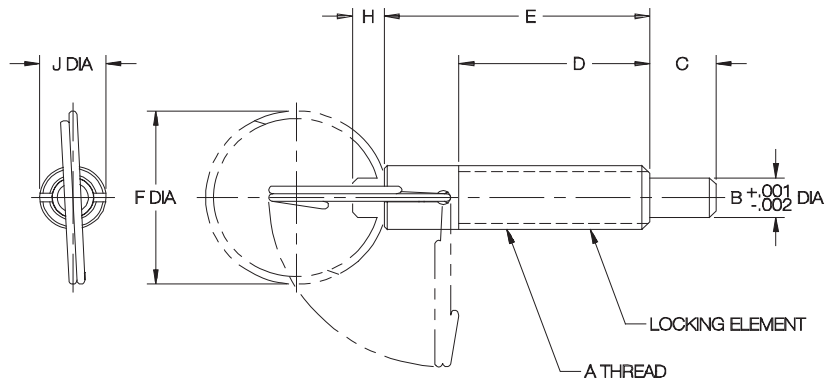


Retracted

**Pull Ring
(Locking Type)**



1/4-20



PULL RING, LOCKING TYPE — STEEL (INCH)

PART NO.	A	END FORCE (LBS)		B DIA	C	D	E	F DIA	H	J DIA
		INITIAL	FINAL							
CL-4-PHRP	1/4-20	1	2.5	.156	1/4	13/16	1-1/8	1	7/64	1/4
CL-6-PHRP	3/8-16	2	4	.250	3/8	1-1/4	1-11/16	1-1/4	3/16	3/8
CL-8-PHRP	1/2-13	2.5	5	.312	1/2	1-7/16	2	1-3/8	1/4	1/2

PULL RING, LOCKING TYPE — STAINLESS STEEL (INCH)

PART NO.	A	END FORCE (LBS)		B DIA	C	D	E	F DIA	H	J DIA
		INITIAL	FINAL							
CL-4-PHRP-S	1/4-20	1	2.5	.156	1/4	13/16	1-1/8	1	7/64	1/4
CL-6-PHRP-S	3/8-16	2	4	.250	3/8	1-1/4	1-11/16	1-1/4	3/16	3/8
CL-8-PHRP-S	1/2-13	2.5	5	.312	1/2	1-7/16	2	1-3/8	1/4	1/2

HAND-RETRACTABLE PLUNGERS

STEEL: 12L14 BODY, 12L14 PLUNGER CARBURIZED-HARDENED, 17-7PH SPRING
 ALL STEEL COMPONENTS ZINC PLATED CLEAR CHROMATE
 STAINLESS STEEL: 300 SERIES



5/8-11



1/2-13



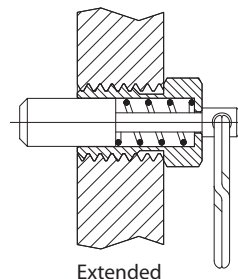
3/8-16



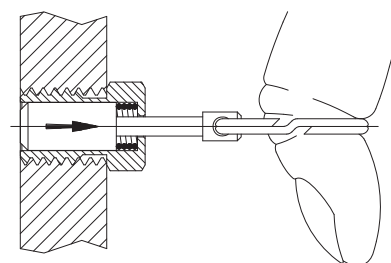
1/4-20

Extremely compact spring-loaded plunger that extends unless manually held in retracted position. Comfortable pull ring allows quick actuation, yet stays out of the way when not in use. Note: Catalog photos are actual size.

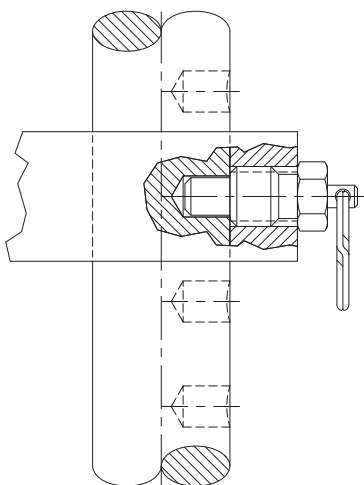
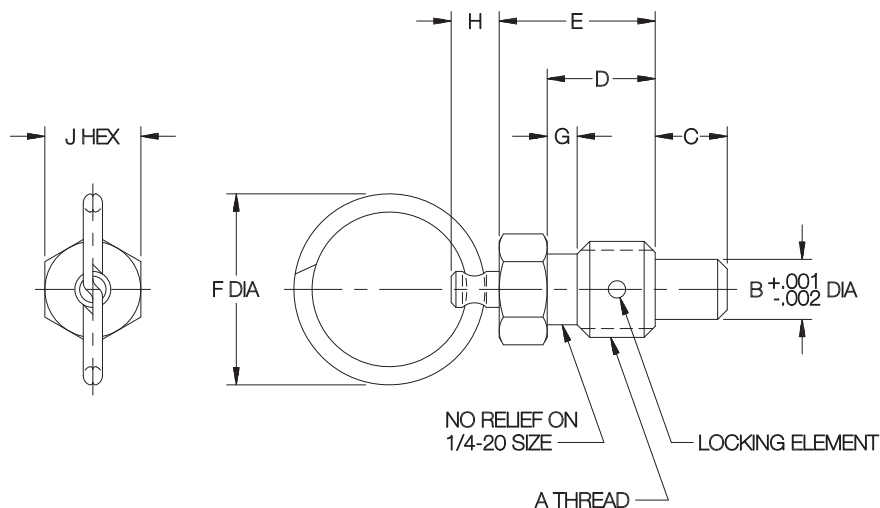
Pull Ring (Non-Locking Type)



Extended



Retracted



PULL RING, NON-LOCKING TYPE — STEEL (INCH)

PART NO.	A	END FORCE (LBS)		B DIA	C	D	E	F DIA	G	H	J
		INITIAL	FINAL								
CL-4-RHRP	1/4-20	.5	2	.156	3/16	9/32	7/16	3/4	1/32	5/32	1/4
CL-6-RHRP	3/8-16	.75	3	.250	9/32	7/16	5/8		1/8	3/16	3/8
CL-8-RHRP	1/2-13	1	4	.312	3/8	9/16	13/16	1	5/32	1/4	1/2
CL-10-RHRP	5/8-11	1.25	5	.375	7/16	11/16	1			5/16	5/8

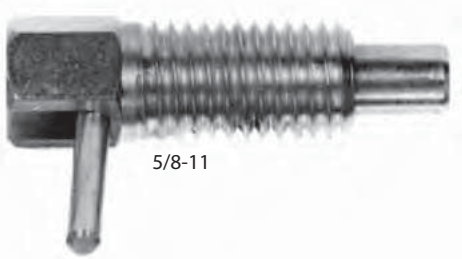
PULL RING, NON-LOCKING TYPE — STAINLESS STEEL (INCH)

PART NO.	A	END FORCE (LBS)		B DIA	C	D	E	F DIA	G	H	J
		INITIAL	FINAL								
CL-4-RHRP-S	1/4-20	.5	2	.156	3/16	9/32	7/16	3/4	1/32	5/32	1/4
CL-6-RHRP-S	3/8-16	.75	3	.250	9/32	7/16	5/8		1/8	3/16	3/8
CL-8-RHRP-S	1/2-13	1	4	.312	3/8	9/16	13/16	1	5/32	1/4	1/2
CL-10-RHRP-S	5/8-11	1.25	5	.375	7/16	11/16	1			5/16	5/8

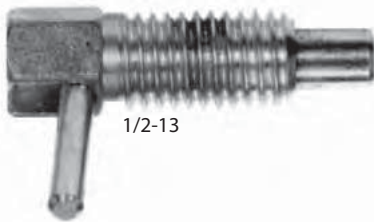
HAND-RETRACTABLE PLUNGERS

STEEL: 12L14 BODY, 12L14 PLUNGER CARBURIZED-HARDENED, 17-7PH SPRING
 ALL STEEL COMPONENTS ZINC PLATED CLEAR CHROMATE
 STAINLESS STEEL: 300 SERIES

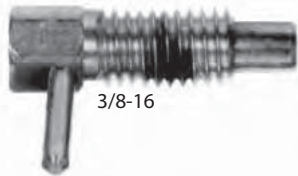
4



5/8-11



1/2-13



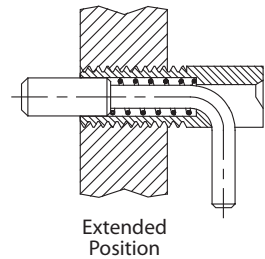
3/8-16



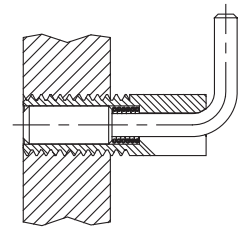
1/4-20

Spring-loaded plunger that locks in retracted position. Convenient L handle for quick retraction and locking. Note: Catalog photos are actual size.

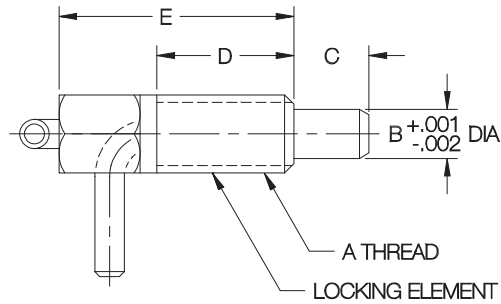
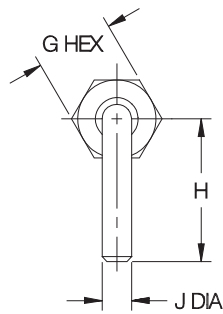
L Handle Short Stroke (Locking Type)



Extended Position



Retracted Position



L HANDLE, SHORT STROKE — STEEL (INCH)

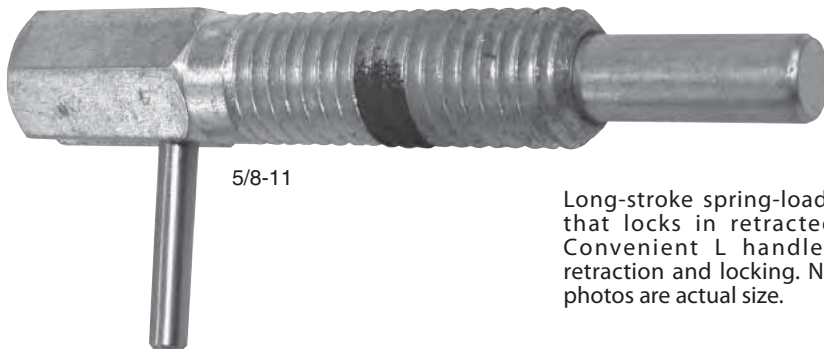
PART NO.	A	END FORCE (LBS)		B DIA	C	D	E	G	H	J DIA
		INITIAL	FINAL							
CL-40-LHRP	1/4-20	.12	.5	.156	3/16	7/16	3/4	1/4	9/16	3/32
CL-60-LHRP	3/8-16	.25	1.25	.250	5/16	5/8	1-1/8	3/8	3/4	9/64
CL-80-LHRP	1/2-13	.5	2	.312	13/32	7/8	1-1/2	1/2	1	3/16
CL-100-LHRP	5/8-11	.75	2.5	.375	1/2	1-1/8	1-7/8	5/8	1-3/16	3/16

L HANDLE, SHORT STROKE — STAINLESS STEEL (INCH)

PART NO.	A	END FORCE (LBS)		B DIA	C	D	E	G	H	J DIA
		INITIAL	FINAL							
CL-40-LHRP-S	1/4-20	.12	.5	.156	3/16	7/16	3/4	1/4	9/16	3/32
CL-60-LHRP-S	3/8-16	.25	1.25	.250	5/16	5/8	1-1/8	3/8	3/4	9/64
CL-80-LHRP-S	1/2-13	.5	2	.312	13/32	7/8	1-1/2	1/2	1	3/16
CL-100-LHRP-S	5/8-11	.75	2.5	.375	1/2	1-1/8	1-7/8	5/8	1-3/16	3/16

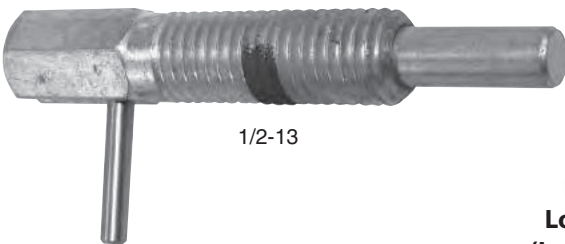
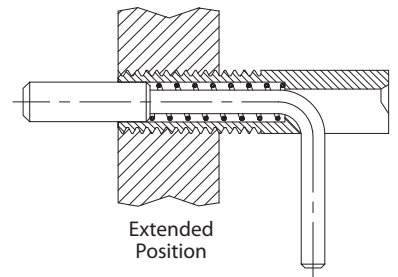
HAND-RETRACTABLE PLUNGERS

STEEL: 12L14 BODY, 12L14 PLUNGER CARBURIZED-HARDENED, 17-7PH SPRING
 ALL STEEL COMPONENTS ZINC PLATED CLEAR CHROMATE
 STAINLESS STEEL: 300 SERIES



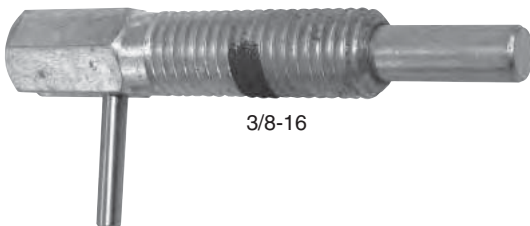
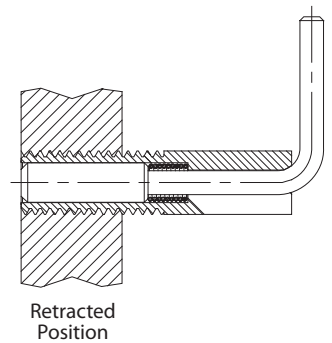
5/8-11

Long-stroke spring-loaded plunger that locks in retracted position. Convenient L handle for quick retraction and locking. Note: Catalog photos are actual size.

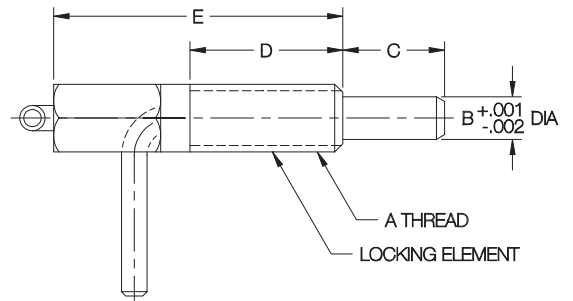
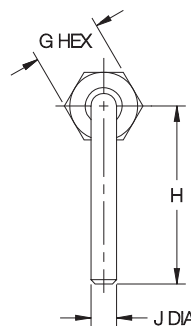


1/2-13

**L Handle
 Long Stroke
 (Locking Type)**



3/8-16



1/4-20

L HANDLE, LONG STROKE — STEEL (INCH)

PART NO.	A	END FORCE (LBS)		B DIA	C	D	E	G	H	J DIA
		INITIAL	FINAL							
CL-4-LHRP	1/4-20	.5	2.5	.156	3/8	5/8	1-1/4	1/4	5/8	3/32
CL-6-LHRP	3/8-16	.75	3.75	.250	9/16	1-1/16	2	3/8	15/16	9/64
CL-8-LHRP	1/2-13	1	5	.312	3/4	1-1/8	2-1/8	1/2	1-1/4	3/16
CL-10-LHRP	5/8-11			.375	1	1-3/4	3	5/8	1-5/16	

L HANDLE, LONG STROKE — STAINLESS (INCH)

CL-4-LHRP-S	1/4-20	.5	2.5	.156	3/8	5/8	1-1/4	1/4	5/8	3/32
CL-6-LHRP-S	3/8-16	.75	3.75	.250	9/16	1-1/16	2	3/8	15/16	9/64
CL-8-LHRP-S	1/2-13	1	5	.312	3/4	1-1/8	2-1/8	1/2	1-1/4	3/16
CL-10-LHRP-S	5/8-11			.375	1	1-3/4	3	5/8	1-5/16	

HAND-RETRACTABLE PLUNGERS

KNOB: MATTE BLACK FIBER-REINFORCED NYLON THERMOPLASTIC
 PLUNGER: STEEL, HEAT TREATED.
 BODY: STEEL, BLACK OXIDE FINISH



5/8"-11



1/2"-13



3/8"-24

**Knob Handle
(Locking Type)**



5/8"-11



1/2"-13



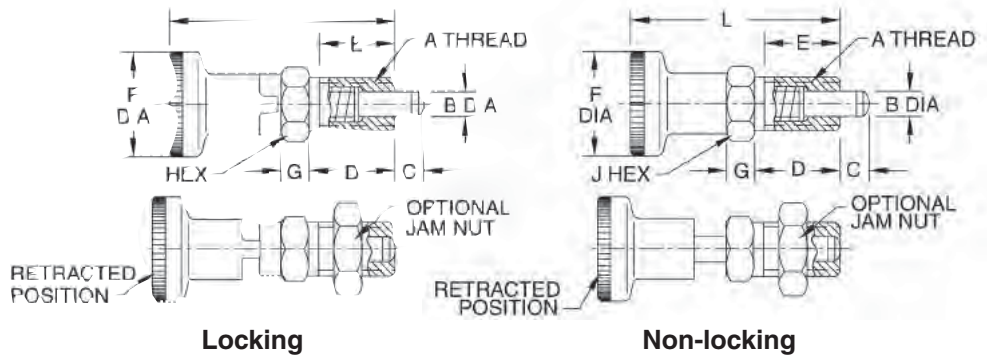
3/8"-24

**Knob Handle
(Non-Locking Type)**

Precision indexing plunger with a attractive knob handle for convenient retraction. Threaded-body version provides adjustment and can be secured with an optional Jam Nut. High strength and durability in an extremely compact assembly (catalog photos are actual size). Hardened and ground plunger tip has a slight taper for easy alignment. Available in two types, locking and non-locking.

Locking type has a spring-loaded plunger that locks in retracted position. To lock, pull knurled knob back and turn 90°. Body is notched at 90° to keep the knob in its retracted position.

Non-locking type has a spring-loaded plunger that stays extended by spring force except when manually held in retracted position.



Locking

Non-locking

LOCKING TYPE (INCH)

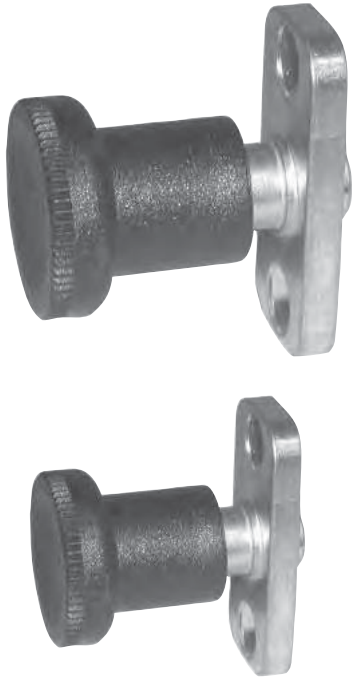
PART NO.	A	B DIA		C	D	E	F DIA	G	J	L	END FORCE (LBS)		JAM NUT (OPTIONAL)
		NOMINAL	ACTUAL								INITIAL	FINAL	
CL-6-HRPK-L	3/8-24	5mm	.1961/.1953	.20	.67	.59	.83	.20	12mm	1.73	1.6	3.6	CL-6-FJN
CL-8-HRPK-L	1/2-13	6mm	.2354/.2346	.24	.79	.67	.98	.24	14mm	2.09	1.5	3.4	CL-8-JN
CL-10-HRPK-L	5/8-11	8mm	.3142/.3134	.28	1.02	.91	1.22	.31	19mm	2.62	2.7	7.0	CL-10-JN

NON-LOCKING TYPE (INCH)

CL-6-HRPK-N	3/8-24	5mm	.1961/.1953	.20	.67	.59	.83	.20	12mm	1.73	1.6	3.6	CL-6-FJN
CL-8-HRPK-N	1/2-13	6mm	.2354/.2346	.24	.79	.67	.98	.24	14mm	2.09	1.5	3.4	CL-8-JN
CL-10-HRPK-N	5/8-11	8mm	.3142/.3134	.28	1.02	.91	1.22	.31	19mm	2.62	2.7	7.0	CL-10-JN

HAND-RETRACTABLE PLUNGERS

KNOB: MATTE BLACK FIBER-REINFORCED NYLON THERMOPLASTIC
 PLUNGER: STEEL, HEAT TREATED
 BODY PLATE: STEEL, ZINC PLATED CLEAR CHROMATE



**Knob Handle
with Mounting Plate
(Locking Type)**



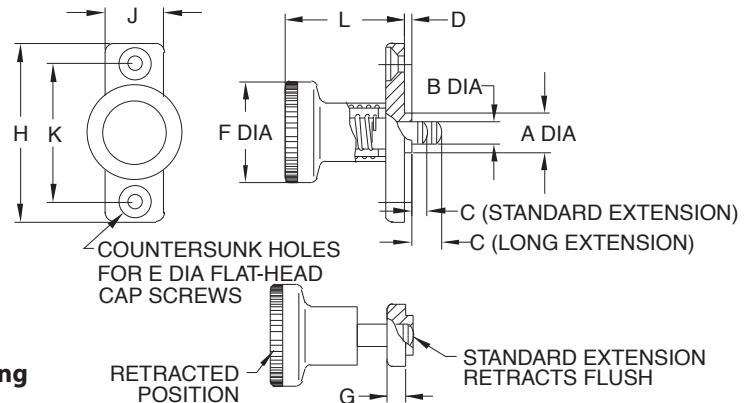
**Knob Handle
with Mounting Plate
(Non-Locking Type)**

Precision indexing plunger with an attractive knob handle for convenient retraction. Mounting-plate version installs in a fixed position with two flat-head screws, and is available with either a short or long plunger extension. High strength and durability in an extremely compact assembly (catalog photos are actual size). Hardened and ground plunger tip has a slight taper for easy alignment. Available in two types, locking and non-locking, each with a choice of short or long plunger extension.

Locking type has a spring-loaded plunger that locks in retracted position. To lock, pull knurled knob back and turn 90°. The body is notched at 90° to keep the knob in its retracted position.

Non-locking type has a spring-loaded plunger that stays extended by spring force except when manually held in retracted position.

**Locking
and
Non-Locking**



LOCKING TYPE

PART NO. STANDARD EXTENSION	PART NO. LONG EXTENSION	A DIA		B DIA		C		D	E DIA	F DIA	G	H	J	K	L	END FORCE (LBS)	
		NOMINAL	ACTUAL	NOMINAL	ACTUAL	STANDARD EXTENSION	LONG EXTENSION									INITIAL	FINAL
CL-8-HRPM-L	CL-8-HRPM-LE	10mm	.393/.390	6mm	.2354/.2346	.24	55 (24 stroke)	.10	#8 or M4	.98	.18	1.57	.71	1.181	1.12	1.9	4.9
CL-10-HRPM-L	CL-10-HRPM-LE	12mm	.472/.468	8mm	.3142/.3134	.31	.71 (31 stroke)		#10 or M5	1.22	.22	1.81	.79	1.339	1.32	3.5	6.3

NON-LOCKING TYPE

CL-8-HRPM-N	CL-8-HRPM-NE	10mm	.393/.390	6mm	.2354/.2346	.24	55 (24 stroke)	.10	#8 or M4	.98	.18	1.57	.71	1.181	1.12	1.9	4.9
CL-10-HRPM-N	CL-10-HRPM-NE	12mm	.472/.468	8mm	.3142/.3134	.31	.71 (31 stroke)		#10 or M5	1.22	.22	1.81	.79	1.339	1.32	3.5	6.3

HAND-RETRACTABLE PLUNGERS

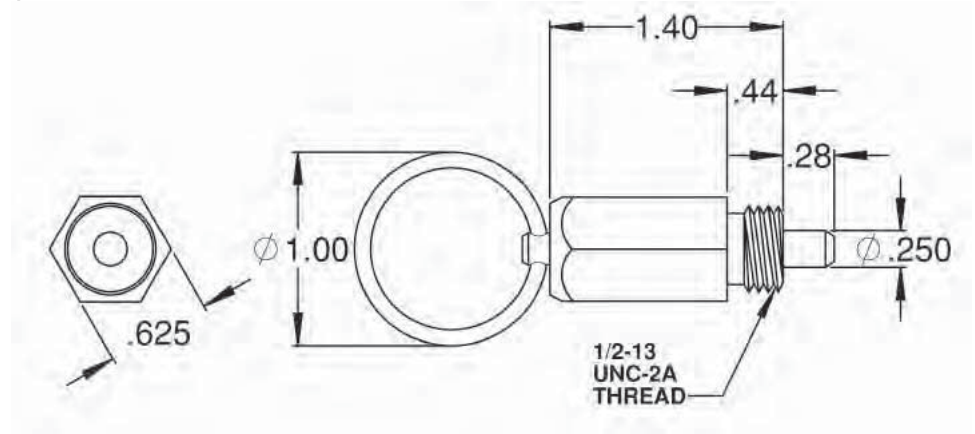
PLUNGER: HIGH-CARBON STEEL, HEAT TREATED, ZINC PLATED CLEAR CHROMATE
 BODY: MILD STEEL, ZINC PLATED CLEAR CHROMATE
 SPRING: SPRING STEEL

New Item!

This unique, quick-release pull pin positively locks in extended position. The hand-retractable plunger tip automatically locks in the forward position unless manually disengaged by pulling the ring, rather than being held forward by spring force. Slight taper on plunger tip for easy alignment. Patent No. 8,821,061. Made in USA.



**Pull Ring
(Extended-Locking Type)**



INCH

PART NO.	BODY THREAD	END FORCE	PLUNGER DIA	PLUNGER LENGTH	BODY LENGTH	RING DIA	BODY HEX
CL-8-EHRP	1/4-20	Locked	.250	.28	1.40	1.00	5/8

INDEX PLUNGERS

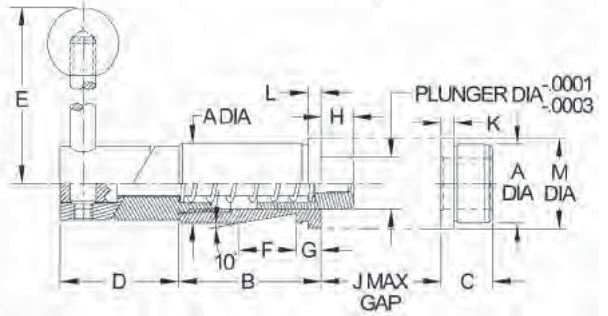
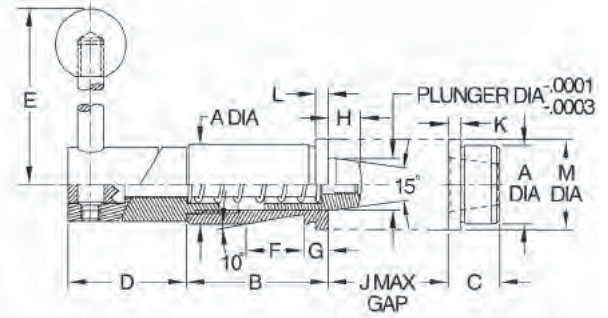
PLUNGER, BODY, CAM, AND BUSHING: 1144 STEEL, HEAT TREATED. CENTER SHAFT: 11L44 STEEL. SPRING: MUSIC WIRE.
BALL KNOB: BLACK PHENOLIC PLASTIC WITH MOLDED-IN BRASS INSERT



**Tapered Index Plungers
Rotary Cam
Standard Mount**



**Straight Index Plungers
Rotary Cam
Standard Mount**



Now also available in metric sizes!

Index Plungers are precision, heavy-duty assemblies with a retractable spring-loaded plunger and a matching locating bushing. Tapered Index Plungers feature a 15° taper on the plunger tip with a mating taper on the bushing. The taper makes alignment easier and also eliminates any binding during retraction. Straight Index Plungers have an entirely cylindrical plunger with a slight radius at the tip, used together with a straight bushing. A straight plunger provides slightly greater positional accuracy. Order plunger and bushing separately.

The rotary-cam version completely retracts when the handle is rotated 180°. Cam surfaces are hardened steel. The standard-mount configuration has a precision ground body with a whistle notch for orientation with a setscrew (also available with a slightly oversize unground body to allow custom grinding to size). Index Plungers are manufactured with precision working tolerances and are designed for very light interference-fit installations to avoid binding of the mechanism. Set screws with nylon tip inserts are recommended. Set screws should firmly contact the whistle notch, but not exert significant force.

TAPERED INDEX PLUNGERS — ROTARY CAM, STANDARD MOUNT (INCH)

PART NO. INDEX PLUNGER	PART NO. BUSHING	PLUNGER DIA	A DIA			B	C	D	E	F	G	H	J	K	L	M DIA
			NOMINAL	GROUND	UNGROUND											
CL-22018-TIP	CL-22032-TIPB	1/2	3/4	.7518/.7515	—	1-3/8	1/2	1-1/8	3	7/16	5/16	5/16	3/32	1/8	1/8	7/8
CL-22016-TIP	CL-22030-TIPB	3/4	1-1/8	—	.766/.765	2	5/8	1-5/8	3-1/2	9/16	3/8	13/32	1/8	1/8	1/8	1-1/4
CL-22118-TIP	CL-22132-TIPB			1.1268/1.1265	—											
CL-22116-TIP	CL-22130-TIPB	1	1-1/2	—	1.141/1.140	2-1/4	3/4	2-1/8	4-1/2	11/16	7/16	7/16	1/8	1/8	1/8	1-5/8
CL-22218-TIP	CL-22232-TIPB			1.5021/1.5018	—											
CL-22216-TIP	CL-22230-TIPB			—	1.516/1.515											

STRAIGHT INDEX PLUNGERS — ROTARY CAM, STANDARD MOUNT (INCH)

CL-22006-SIP	CL-22028-SIPB	1/2	3/4	.7518/.7515	—	1-3/8	1/2	1-1/8	3	7/16	5/16	5/16	3/32	1/8	1/8	7/8
CL-22004-SIP	CL-22026-SIPB	3/4	1-1/8	—	.766/.765	2	5/8	1-1/2	3-1/2	9/16	3/8	13/32	1/8	1/8	1/8	1-1/4
CL-22106-SIP	CL-22128-SIPB			1.1268/1.1265	—											
CL-22104-SIP	CL-22126-SIPB	1	1-1/2	—	1.141/1.140	2-1/4	3/4	1-7/8	4-1/2	11/16	7/16	7/16	1/8	1/8	1/8	1-5/8
CL-22206-SIP	CL-22228-SIPB			1.5021/1.5018	—											
CL-22204-SIP	CL-22226-SIPB			—	1.516/1.515											

TAPERED INDEX PLUNGERS — ROTARY CAM, STANDARD MOUNT (METRIC)

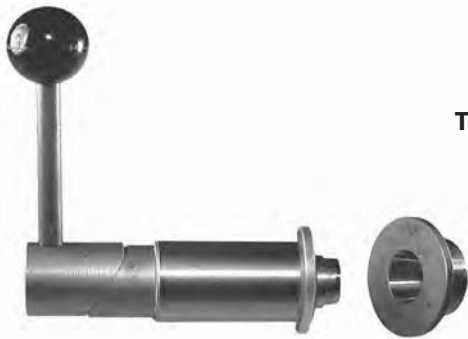
CLM-22018-TIP	CLM-22032-TIPB	12mm	20mm	.7892/.7889	—	35mm	12mm	1-1/8	3	7/16	5/16	5/16	3/32	3mm	3mm	22mm
CLM-22118-TIP	CLM-22132-TIPB	20mm	30mm	1.1829/1.1826	—	51mm	16mm	1-5/8	3-1/2	9/16	3/8	13/32	1/8	3mm	3mm	32mm

STRAIGHT INDEX PLUNGERS — ROTARY CAM, STANDARD MOUNT (METRIC)

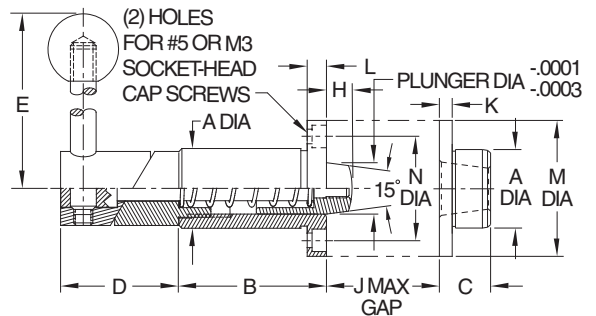
CLM-22006-SIP	CLM-22028-SIPB	12mm	20mm	.7892/.7889	—	35mm	12mm	1-1/8	3	7/16	5/16	5/16	3/32	3mm	3mm	22mm
CLM-22106-SIP	CLM-22128-SIPB	20mm	30mm	1.1829/1.1826	—	51mm	16mm	1-5/8	3-1/2	9/16	3/8	13/32	1/8	3mm	3mm	32mm

INDEX PLUNGERS

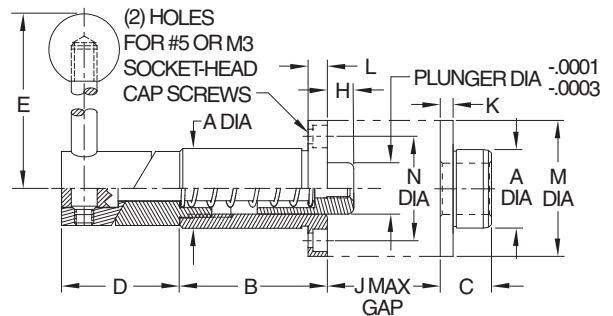
PLUNGER, BODY, RETAINER, AND CAM: 1144 STEEL, HEAT TREATED. CENTER SHAFT: 11L44 STEEL. SPRING: MUSIC WIRE.
BALL KNOB: BLACK PHENOLIC PLASTIC WITH MOLDED-IN BRASS INSERT



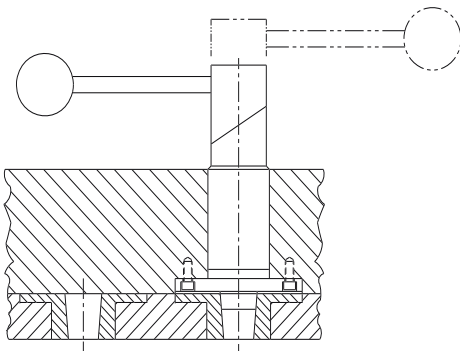
**Tapered Index Plungers
Rotary Cam
Flange Mount**



**Straight Index Plungers
Rotary Cam
Flange Mount**



Now also available in metric sizes!



Index Plungers are precision, heavy-duty assemblies with a retractable spring-loaded plunger and a matching locating bushing. Tapered Index Plungers feature a 15° taper on the plunger tip with a mating taper on the bushing. The taper makes alignment easier and also eliminates any binding during retraction. Straight Index Plungers have an entirely cylindrical plunger with a slight radius at the tip, used together with a straight bushing. A straight plunger provides slightly greater positional accuracy. Order plunger and bushing separately.

The rotary-cam version completely retracts when the handle is rotated 180°. Cam surfaces are hardened steel. The flange-mount configuration shown here has a precision ground body with a flange used for orientation by fastening with two Socket-Head Cap Screws (also available with a slightly oversize unground body to allow custom grinding to size). Flange mounting is designed for installations where a cross hole for a set screw is not practical. Index plungers are manufactured with precision working tolerances and are designed for a very light interference-fit installations to avoid binding of the mechanism.

TAPERED INDEX PLUNGERS — ROTARY CAM, FLANGE MOUNT (INCH)

PART NO. INDEX PLUNGER	PART NO. BUSHING	PLUNGER DIA	A DIA			B	C	D	E	H	J	K	L	M DIA	N DIA
			NOMINAL	GROUND	UNGROUND										
CL-22019-TIP	CL-22033-TIPB	1/2	3/4	.7518/.7515	—	1-3/8	1/2	1-1/8	3	5/16	3/32	1/8	3/16	1-5/16	1
CL-22017-TIP	CL-22031-TIPB			—	.766/.765										
CL-22119-TIP	CL-22133-TIPB	3/4	1-1/8	1.1268/1.1265	—	2	5/8	1-1/2	3-1/2	13/32	1/8	1/8	3/16	1-11/16	1-3/8
CL-22117-TIP	CL-22131-TIPB			—	1.141/1.140										

STRAIGHT INDEX PLUNGERS — ROTARY CAM, FLANGE MOUNT (INCH)

PART NO. INDEX PLUNGER	PART NO. BUSHING	PLUNGER DIA	A DIA			B	C	D	E	H	J	K	L	M DIA	N DIA
			NOMINAL	GROUND	UNGROUND										
CL-22007-SIP	CL-22029-SIPB	1/2	3/4	.7518/.7515	—	1-3/8	1/2	1-1/8	3	5/16	3/32	1/8	3/16	1-5/16	1
CL-22005-SIP	CL-22027-SIPB			—	.766/.765										
CL-22107-SIP	CL-22129-SIPB	3/4	1-1/8	1.1268/1.1265	—	2	5/8	1-1/2	3-1/2	13/32	1/8	1/8	3/16	1-11/16	1-3/8
CL-22105-SIP	CL-22127-SIPB			—	1.141/1.140										

TAPERED INDEX PLUNGERS — ROTARY CAM, FLANGE MOUNT (METRIC)

CLM-22019-TIP	CLM-22033-TIPB	12mm	20mm	.7892/.7889	----	35mm	12mm	1-1/8	3	5/16	3/32	3mm	5mm	34mm	25mm
CLM-22119-TIP	CLM-22133-TIPB	20mm	30mm	1.1829/1.1826	----	51mm	16mm	1-5/8	3-1/2	13/32	1/8	3mm	5mm	42mm	35mm

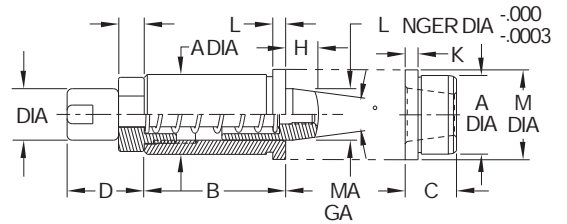
STRAIGHT INDEX PLUNGERS — ROTARY CAM, FLANGE MOUNT (METRIC)

CLM-22007-SIP	CLM-22029-SIPB	12mm	20mm	.7892/.7889	----	35mm	12mm	1-1/8	3	5/16	3/32	3mm	5mm	34mm	25mm
CLM-22107-SIP	CLM-22129-SIPB	20mm	30mm	1.1829/1.1826	----	51mm	16mm	1-5/8	3-1/2	13/32	1/8	3mm	5mm	42mm	35mm

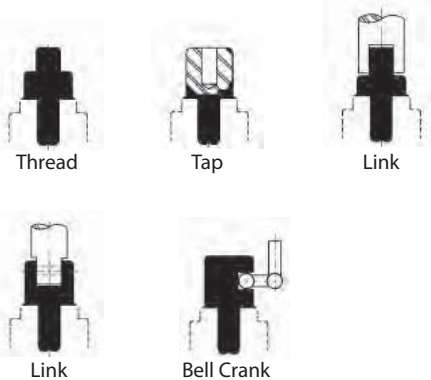
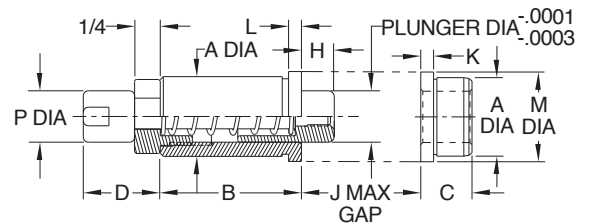
INDEX PLUNGERS

PLUNGER, BODY, CAM, AND BUSHING: 1144 STEEL, HEAT TREATED. CENTER SHAFT: 11L44 STEEL. SPRING: MUSIC WIRE.

**Tapered Index Plunger
Blank Machinable End**



**Straight Index Plunger
Blank Machinable End**



Index Plungers are precision, heavy-duty assemblies with a retractable spring-loaded plunger and a matching locating bushing. Tapered Index Plungers feature a 15° taper on the plunger tip with a mating taper in the bushing. The taper makes alignment easier and also eliminates any binding during retraction. Straight Index Plungers have an entirely cylindrical plunger with a slight radius at the tip, used together with a straight bushing. A straight plunger provides slightly greater positional accuracy. Order plunger and bushing separately.

The version shown on this page has a blank machinable end for easy adaptation to various actuating devices, including automated setups. Precision ground body (also available with a slightly unground body to allow custom grinding to size). Index Plungers are manufactured with precision working tolerances and are designed for a very light interference-fit installations to avoid binding of the mechanism.

TAPERED INDEX PLUNGERS — BLANK MACHINABLE END (INCH)

PART NO. INDEX PLUNGER	PART NO. BUSHING	PLUNGER DIA	A DIA			B	C	D	H	J	K	L	M DIA	P DIA
			NOMINAL	GROUND	UNGROUND									
CL-22014-TIP	CL-22032-TIPB	1/2	3/4	.7518/.7515	—	1-3/8	1/2	3/4	5/16	3/32	1/8	1/8	7/8	1/2
CL-22012-TIP	CL-22030-TIPB			—	.766/.765									
CL-22114-TIP	CL-22132-TIPB	3/4	1-1/8	1.1268/1.1265	—	2	5/8	1	3/8	1/8	1/8	1/8	1-1/4	3/4
CL-22112-TIP	CL-22130-TIPB			—	1.141/1.140									
CL-22214-TIP	CL-22232-TIPB	1	1-1/2	1.5021/1.5018	—	2-1/4	3/4	1-1/4	3/8	1/8	1/8	1/8	1-5/8	15/16
CL-22212-TIP	CL-22230-TIPB			—	1.5021/1.5018									

STRAIGHT INDEX PLUNGERS — BLANK MACHINABLE END (INCH)

CL-22002-SIP	CL-22028-SIPB	1/2	3/4	.7518/.7515	—	1-3/8	1/2	3/4	5/16	3/32	1/8	1/8	7/8	1/2
CL-22102-SIP	CL-22128-SIPB	3/4	1-1/8	1.1268/1.1265	—	2	5/8	1	1/2	1/8	1/8	1/8	1-1/4	3/4
CL-22202-SIP	CL-22228-SIPB	1	1-1/2	1.5021/1.5018	—	2-1/4	3/4	1-1/4	5/8	1/8	1/8	1/8	1-5/8	15/16

SPRING STOP BUTTONS

BODY: ALUMINUM ALLOY; SPRING: SPRING STEEL (OR STAINLESS STEEL)

PLUNGER: MILD STEEL, CARBURIZED-HARDENED, BLACK OXIDE FINISH (OR STAINLESS STEEL, OR DELRIN®)



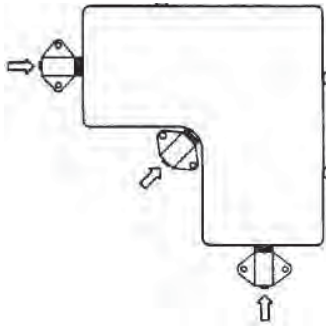
Large
CL-30A-SSB



Medium
CL-20A-SSB

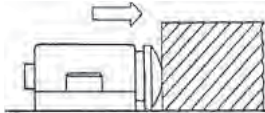


Small
CL-10A-SSB

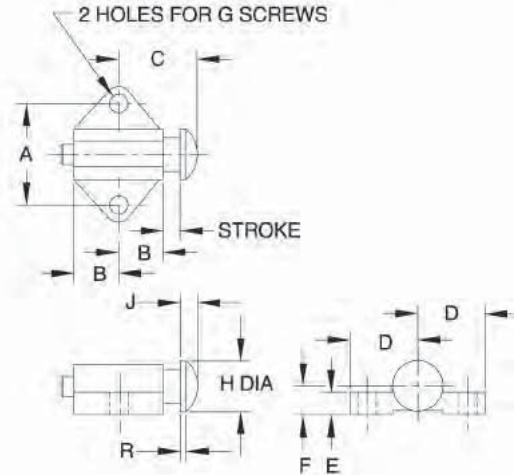


Spring Stop Buttons are ideal for holding a workpiece against its locators until clamps are in place, and for other light clamping jobs. Choice of three sizes in each type. The smallest of the three sizes is optionally available with light spring force. Note: Catalog photos are actual size.

Type A
Spherical Radius



Spring-loaded plunger has a spherical radius to exert contact force at a single point. Choice of steel, stainless steel, or Delrin® plunger.



TYPE A – SPHERICAL RADIUS (STEEL)

PART NO. STANDARD FORCE	PART NO. LIGHT FORCE	STROKE	STANDARD CONTACT FORCE (LBS)			LIGHT CONTACT FORCE (LBS)			A	B	C	D	E	F	G DIA	H DIA	J	R
			INITIAL	HALFWAY	FINAL	INITIAL	HALFWAY	FINAL										
CL-10A-SSB	CL-10A-SSB-2	1/8	5	10	15	1.5	2	2.5	.656	11/32	19/32	7/16	3/16	7/32	#6-32 or M3.5	3/8	1/8	1/16
CL-20A-SSB	—	3/16	2	14	26	—	—	—	1.125	1/2	7/8	3/4	1/4	5/16	#10-32 or M5	9/16	3/16	1/16
CL-30A-SSB	—	1/4	16	32	48	—	—	—	1.500	11/16	1-7/32	1	1/4	7/16	1/4-20 or M6	13/16	9/32	9/64

TYPE A – SPHERICAL RADIUS (STAINLESS STEEL)

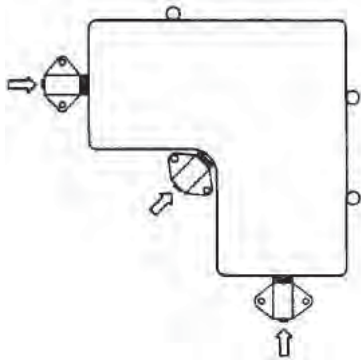
CL-10A-SSB-S	CL-10A-SSB-2-S	1/8	5	10	15	1.5	2	2.5	.656	11/32	19/32	7/16	3/16	7/32	#6-32 or M3.5	3/8	1/8	1/16
CL-20A-SSB-S	—	3/16	2	14	26	—	—	—	1.125	1/2	7/8	3/4	1/4	5/16	#10-32 or M5	9/16	3/16	1/16
CL-30A-SSB-S	—	1/4	16	32	48	—	—	—	1.500	11/16	1-7/32	1	1/4	7/16	1/4-20 or M6	13/16	9/32	9/64

TYPE A – SPHERICAL RADIUS (DELRIN®)

CL-10A-SSBN	CL-10A-SSBN-2	1/8	5	10	15	1.5	2	2.5	.656	11/32	19/32	7/16	3/16	7/32	#6-32 or M3.5	3/8	1/8	1/16
CL-20A-SSBN	—	3/16	2	14	26	—	—	—	1.125	1/2	7/8	3/4	1/4	5/16	#10-32 or M5	9/16	3/16	1/16
CL-30A-SSBN	—	1/4	16	32	48	—	—	—	1.500	11/16	1-7/32	1	1/4	7/16	1/4-20 or M6	13/16	9/32	9/64

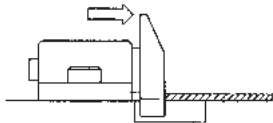
SPRING STOP BUTTONS

BODY: ALUMINUM ALLOY; SPRING: SPRING STEEL
 PLUNGER: MILD STEEL, CARBURIZED-HARDENED, ZINC PLATED CLEAR CHROMATE

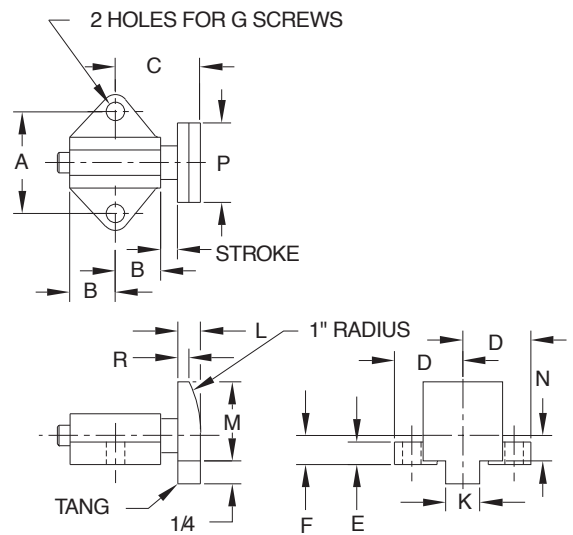


Spring Stop Buttons are ideal for holding a workpiece against its locators until clamps are in place, and for other light clamping jobs. Choice of three sizes in each type. The smallest of the three sizes is optionally available with light spring force. Note: Catalog photos are actual size.

Type B
Flat Face with Tang



Designed for thin workpieces and sheets. Tang prevents sheet from sliding under plunger. Requires machining a slot in the fixture base for the tang. Large bevel on plunger makes loading easier.

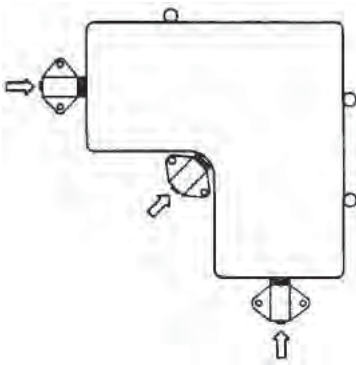


TYPE B – FLAT FACE WITH TANG (STEEL)

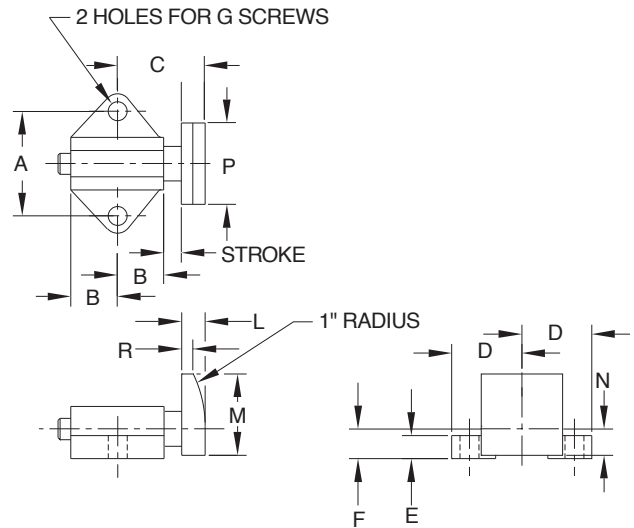
PART NO. STANDARD FORCE	PART NO. LIGHT FORCE	STROKE	STANDARD CONTACT FORCE (LBS)			LIGHT CONTACT FORCE (LBS)			A	B	C	D	E	F	G DIA	K	L	M	N	P	R
			INITIAL	HALFWAY	FINAL	INITIAL	HALFWAY	FINAL													
CL-10B-SSB	CL-10B-SSB-2	1/8	5	10	15	1.5	2	2.5	.656	11/32	21/32	7/16	3/16	7/32	#6-32 or M3.5	1/4	3/16	5/8	3/16	5/8	1/16
CL-20B-SSB	—	3/16	2	14	26	—	—	—	1.125	1/2	15/16	3/4	1/4	5/16	#10-32 or M5	3/8	1/4	7/8	9/32	7/8	3/32
CL-30B-SSB	—	1/4	16	32	48	—	—	—	1.500	11/16	1-5/16	1	1/4	7/16	1/4-20 or M6	1/2	3/8	1-1/4	13/32	1-1/4	3/32

SPRING STOP BUTTONS

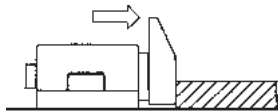
BODY: ALUMINUM ALLOY; SPRING: SPRING STEEL
 PLUNGER: MILD STEEL, CARBURIZED-HARDENED, ZINC PLATED CLEAR CHROMATE



Spring Stop Buttons are ideal for holding a workpiece against its locators until clamps are in place, and for other light clamping jobs. Choice of three sizes in each type. The smallest of the three sizes is optionally available with light spring force. Note: Catalog photos are actual size.



**Type C
Flat Face**



Flat contact surface is ideal for short workpieces. Large bevel on plunger makes loading easier.

TYPE C – FLAT FACE (STEEL)

PART NO. STANDARD FORCE	PART NO. LIGHT FORCE	STROKE	STANDARD CONTACT FORCE (LBS)			LIGHT CONTACT FORCE (LBS)			A	B	C	D	E	F	G DIA	K	L	M	N	P	R
			INITIAL	HALFWAY	FINAL	INITIAL	HALFWAY	FINAL													
CL-10C-SSB	CL-10C-SSB-2	1/8	5	10	15	1.5	2	2.5	.656	11/32	21/32	7/16	3/16	7/32	#6-32 or M3.5	—	3/16	5/8	3/16	5/8	1/16
CL-20C-SSB	—	3/16	2	14	26	—	—	—	1.125	1/2	15/16	3/4	1/4	5/16	#10-32 or M5	—	1/4	7/8	9/32	7/8	3/32
CL-30C-SSB	—	1/4	16	32	48	—	—	—	1.500	11/16	1-5/16	1	1/4	7/16	1/4-20 or M6	—	3/8	1-1/4	13/32	1-1/4	3/32

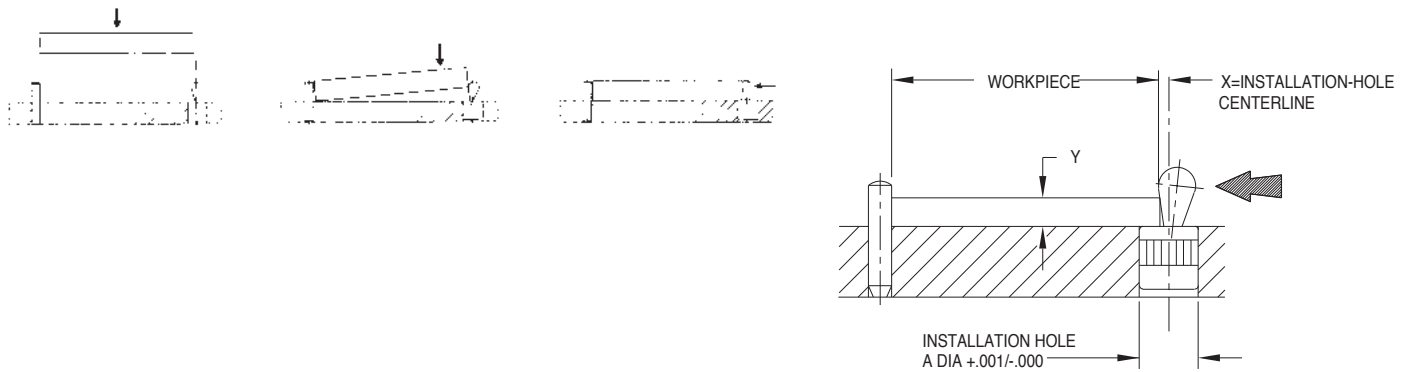
SPRING LOCATING PINS

PIN: MILD STEEL, CARBURIZED-HARDENED, ZINC PLATED CLEAR CHROMATE
 SPRING: MUSIC WIRE. HOUSING: ALUMINUM

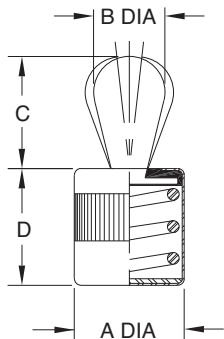


Our patented Spring Locating Pins are an extremely compact way to apply side force to a workpiece. The tapered contact pin is securely anchored in a spring base. Unit installs easily in a drilled hole. Available in five sizes, each in light, medium, or heavy force. Choice of steel, stainless steel, or Delrin® contact pin. **INFO+**: Also available with a tapped receptacle (p. 182) for custom contact pins. Note: Catalog photos are actual size. Our most popular version is shown on this page, with a durable case-hardened steel contact pin and aluminum body containing a coil spring. Protective rubber seal around contact pin keeps out chips and coolant. This type has the most travel, so it allows the most part-size variation.

4



HARDENED STEEL PIN, COIL SPRING



PART NO.	A DIA	APPROX SIDE FORCE (LBS)	ALLOWABLE WORKPIECE TOLERANCE	B DIA	C	D	X DIMENSION WHEN Y EQUALS						
							1/16	1/8	3/16	1/4	5/16	3/8	7/16 OR MORE
CL-4-SLP-1	1/4	2.2	.020	.118	.158	.268	.022	.024	.024	.024	.024	.024	.024
CL-4-SLP-2		4.5											
CL-4-SLP-3		9											
CL-7-SLP-1	7/16	4.5	.031	.197	.236	.434	—	.055	.055	.055	.055	.055	.055
CL-7-SLP-2		11											
CL-7-SLP-3		22											
CL-7A-SLP-1	7/16	9	.039	.236	.394	.434	—	—	.049	.059	.059	.059	.059
CL-7A-SLP-2		17											
CL-7A-SLP-3		34											
CL-8-SLP-1	1/2	11	.051	.315	.530	.520	—	—	—	.077	.087	.087	.087
CL-8-SLP-2		22											
CL-8-SLP-3		45											
CL-10-SLP-1	5/8	22	.063	.394	.640	.705	—	—	—	.098	.107	.110	.110
CL-10-SLP-2		45											
CL-10-SLP-3		67											

SPRING LOCATING PINS

PIN: 300-SERIES STAINLESS STEEL
 SPRING: SOLID POLYURETHANE. HOUSING: ALUMINUM

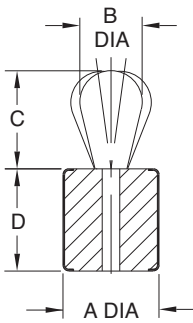


**Stainless Steel Pin
 Solid Polyurethane Spring**

Stainless steel contact pin is ideal for corrosive environments and hygienic applications. Solid polyurethane body is covered by an aluminum shell.

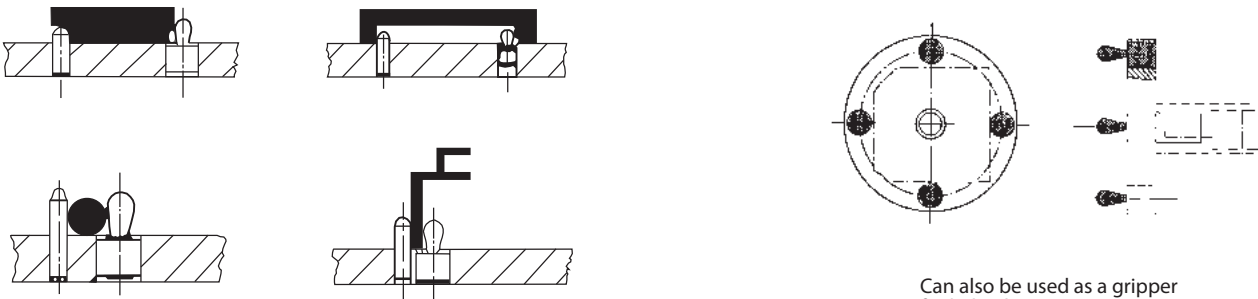
4

STAINLESS STEEL PIN, SOLID POLYURETHANE SPRING



PART NO.	A DIA	APPROX SIDE FORCE (LBS)	ALLOWABLE WORKPIECE TOLERANCE	B DIA	C	D	X DIMENSION WHEN 7 EQUALS						
							1/16	1/8	3/16	1/4	5/16	3/8	7/16 OR MORE
CL-4-SLPS-1	1/4	2.2	.008	.118	.158	.008	.022	.024	.024	.024	.024	.024	.024
CL-4-SLPS-2		4.5											
CL-7-SLPS-1	7/16	6.7	.016	.197	.292	.016	—	.055	.055	.055	.055	.055	.055
CL-7-SLPS-2		13											
CL-7-SLPS-3		20											
CL-7A-SLPS-1	7/16	6.7	.016	.236	.473	.016	—	—	.049	.059	.059	.059	.059
CL-7A-SLPS-2		13											
CL-7A-SLPS-3		20											
CL-8-SLPS-1	1/2	11	.024	.315	.512	.024	—	—	—	.077	.087	.087	.087
CL-8-SLPS-2		22											
CL-8-SLPS-3		33											
CL-10-SLPS-1	5/8	22	.031	.394	.640	.658	—	—	—	—	.098	.107	.110
CL-10-SLPS-2		45											
CL-10-SLPS-3		67											

APPLICATION EXAMPLES



Can also be used as a gripper for light clamping.

SPRING LOCATING PINS

PIN: DELRIN®
 SPRING: SOLID POLYURETHANE. HOUSING: ALUMINIUM

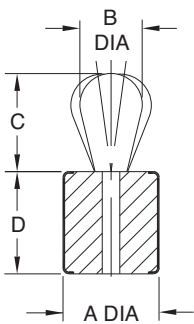


**Delrin® Pin
 Solid Polyurethane Spring**

Delrin® contact pin avoids marring soft or finished surfaces. Solid polyurethane body is covered by an aluminium shell.

4

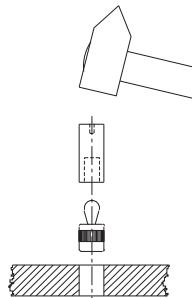
DELRIN® PIN, SOLID POLYURETHANE SPRING



PART NO.	A DIA	APPROX SIDE FORCE (LBS)	ALLOWABLE WORKPIECE TOLERANCE	B DIA	C	D	X DIMENSION WHEN 7 EQUALS						
							1/16	1/8	3/16	1/4	5/16	3/8	7/16 OR MORE
CL-4-SLPP-1	1/4	2.2	.008	.118	.158	.291	.022	.024	.024	.024	.024	.024	.024
CL-4-SLPP-2		4.5											
CL-7-SLPP-1	7/16	6.7	.016	.197	.292	.371	—	.055	.055	.055	.055	.055	.055
CL-7-SLPP-2		13											
CL-7A-SLPP-1	7/16	6.7	.016	.236	.473	.371	—	—	.049	.059	.059	.059	.059
CL-7A-SLPP-2		13											
CL-8-SLPP-1	1/2	11	.024	.315	.512	.551	—	—	—	.077	.087	.087	.087
CL-8-SLPP-2		22											
CL-10-SLPP-1	5/8	22	.031	.394	.640	.658	—	—	—	—	.098	.107	.110
CL-10-SLPP-2		45											



Installation Tools



Handy tool to speed up installation of Spring Locating Pins. Use with any of the three types.

INSTALLATION TOOLS

PART NO.	USE TO INSTALL		
CL-4-SLPT	CL-4-SLP-x	CL-4-SLPS-x	CL-4-SLPP-x
CL-7-SLPT	CL-7-SLP-x	CL-7-SLPS-x	CL-7-SLPP-x
CL-7A-SLPT	CL-7A-SLP-x	CL-7A-SLPS-x	CL-7A-SLPP-x
CL-8-SLPT	CL-8-SLP-x	CL-8-SLPS-x	CL-8-SLPP-x
CL-10-SLPT	CL-10-SLP-x	CL-10-SLPS-x	CL-10-SLPP-x

SPRING LOCATING PINS

RECEPTACLE: MILD STEEL, BLACK OXIDE FINISH
 SPRING: MUSIC WIRE. HOUSING: ALUMINUM

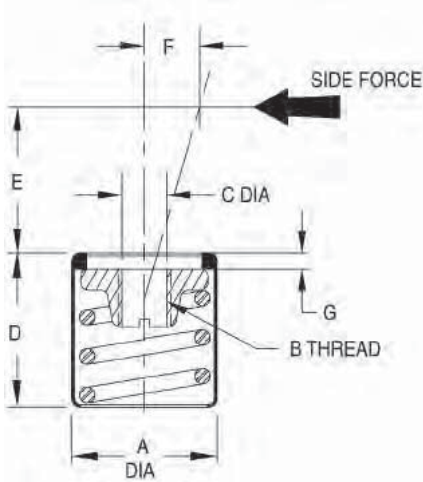
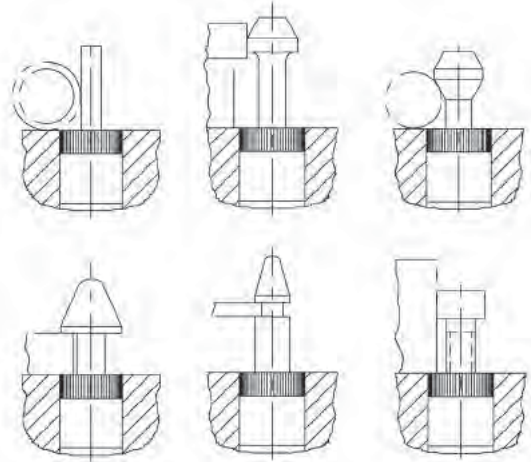


5/8
Dia

7/16
Dia

Tapped Receptacle for Custom Pin Coil Spring

This version has a tapped receptacle for installing custom contact pins. Available in two sizes, each in light, medium, or heavy force. Dimension E is a theoretical contact height which allows F maximum travel and provides the side force listed in the table. Taller pins will have more travel and less force, while shorter pins will have less travel and more force. To achieve maximum travel, the bottom diameter of the custom pin should be approximately equal to the C dimension.

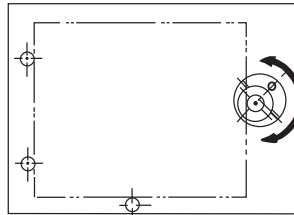


TAPPED RECEPTACLE FOR CUSTOM PIN, COIL SPRING

PART NO.	A DIA	B	APPROX SIDE FORCE (LBS)	C	D	E	F	G
CL-7-SLPR-1	7/16	#8-32	4.5	.164	.434	.16	.063	.04
CL-7-SLPR-2			11					
CL-7-SLPR-3			22					
CL-10-SLPR-1	5/8	1/4-20	22	.250	.705	.45	.126	.06
CL-10-SLPR-2			45					
CL-10-SLPR-3			67					



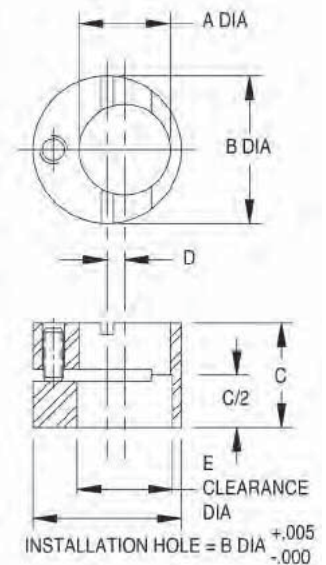
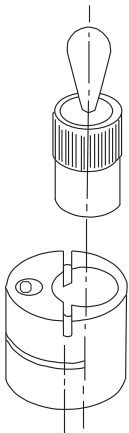
Eccentric Liners



Eccentric Liners provide additional adjustment for workpieces with looser tolerances. Steel.

ECCENTRIC LINERS

PART NO.	FITS THESE PINS	A DIA		B DIA		C	D
		NOMINAL	ACTUAL	NOMINAL	ACTUAL		
CL-4-SLPE	CL-4-SLP-x CL-4-SLPS-x CL-4-SLPP-x	1/4	.2500 .2507	1/2	.5000 .4983	.390	.079
CL-7-SLPE	CL-7-SLP-x CL-7-SLPS-x CL-7-SLPP-x CL-7A-SLP-x CL-7A-SLPS-x CL-7A-SLPP-x	7/16	.4375 .4386	11/16	.6875 .6858	.469	.079
CL-8-SLPE	CL-8-SLP-x CL-8-SLPS-x CL-8-SLPP-x	1/2	.5000 .5011	3/4	.7500 .7480	.547	.079
CL-10-SLPE	CL-10-SLP-x CL-10-SLPS-x CL-10-SLPP-x	5/8	.6250 .6261	1	1.000 .9980	.705	.118



SUPPORTS, RESTS & FEET



Leveling Feet



Swivel Pads



Grippers



Rest Buttons & Pads



Manual Work Supports



Screw Jacks



Eccentric Leveling Lugs

LEVELING FEET

TYPES



LEVELING FOOT

High-quality, heavy-duty leveling foot with large-diameter pad. Large ball provides high load capacity with a 20° total swivel angle.



STUD LEVELING FOOT

High-quality, heavy-duty leveling foot with large-diameter pad and integral stud. Stud and ball are one solid piece. Large ball provides high load capacity with a 20° total swivel angle.



JIG FEET LEVELING

Medium-duty leveling foot with removable pad. Lefthand thread in pad prevents backout while pad rotates and pivots freely.



JIG FEET LEVELING ASSEMBLIES

Complete leveling assembly includes radius-head screw, plate, and hex nut.

MATERIALS

STEEL

12L14 steel, carburized-hardened, zinc plated yellow chromate. This material is the most economical and wear resistant choice for maximum load capacities.

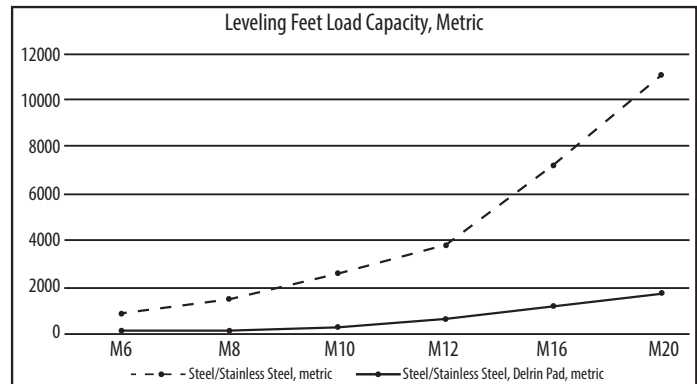
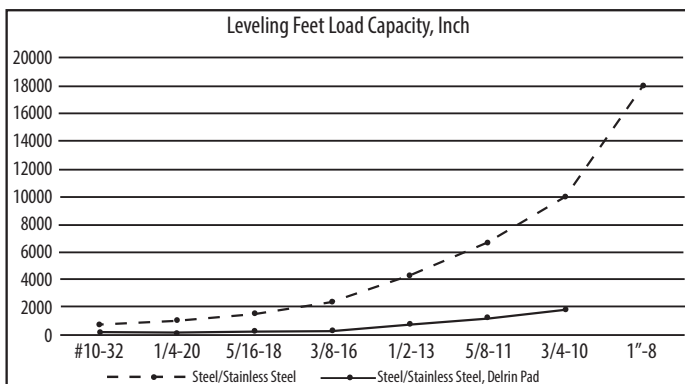
STAINLESS STEEL

300-series stainless steel provides excellent resistance to rust, can be sanitized, and works well in corrosive environments. DFARS and RoHS compliant.

DELTRIN®

White Delrin® 500 is non-marking, will not rust and can be sanitized. Has the lowest load capacity of these materials.

LOAD RATINGS



LEVELING FEET

STEEL: 12L14, CARBURIZED-HARDENED (BODY ONLY), ZINC PLATED YELLOW CHROMATE OR BLACK OXIDE FINISH
 STAINLESS STEEL: 300 SERIES. DELRIN® PAD: WHITE DELRIN® 500.



**Steel
Zinc Plated**



**Steel
Zinc Plated
with Delrin® Pad**



**Steel
Black Oxide Finish**

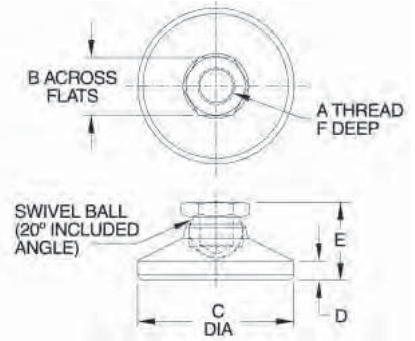


Stainless Steel



**Stainless Steel
with Delrin® Pad**

High-quality, heavy-duty leveling foot with large-diameter pad. Large ball provides high load capacity with a 20° total swivel angle.



INCH

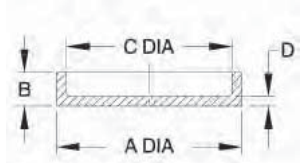
PART NO. STEEL ZINC PLATED	PART NO. STEEL ZINC PLATED DELRIN® PAD	PART NO. STEEL BLACK OXIDE	PART NO. STAINLESS	PART NO. STAINLESS DELRIN® PAD	A	B	C DIA	D	E	F	LOAD RATING (LBS)*	
											STEEL & STAINLESS	DELRIN®
CL-3-LF	CL-3-LFN	CL-3-LF-BO	CL-3-LF-S	CL-3-LFN-S	#10-32	3/8	3/4	7/64	17/32	1/4	700	150
CL-4-LF	CL-4-LFN	CL-4-LF-BO	CL-4-LF-S	CL-4-LFN-S	1/4-20	1/2	1	5/32	45/64	5/16	1,000	200
CL-5-LF	CL-5-LFN	CL-5-LF-BO	CL-5-LF-S	CL-5-LFN-S	5/16-18	9/16	1-1/8	3/16	3/16	3/8	1,500	250
CL-6-LF	CL-6-LFN	CL-6-LF-BO	CL-6-LF-S	CL-6-LFN-S	3/8-16	5/8	1-1/4	3/16	7/8	13/32	2,300	300
CL-8-LF	CL-8-LFN	CL-8-LF-BO	CL-8-LF-S	CL-8-LFN-S	1/2-13	3/4	1-7/8	1/4	1-1/8	1/2	4,200	700
CL-10-LF	CL-10-LFN	CL-10-LF-BO	CL-10-LF-S	CL-10-LFN-S	5/8-11	15/16	2-1/2	5/16	1-1/4	1/2	6,600	1,200
CL-12-LF	CL-12-LFN	CL-12-LF-BO	CL-12-LF-S	CL-12-LFN-S	3/4-10	1-1/8	3	1/2	1-1/2	5/8	10,000	1,800
CL-16-LF	—	CL-16-LF-BO	CL-16-LF-S	—	1"-8	1-1/2	4	13/32	1-7/8	15/16	18,000	

METRIC

CLM-6-LF	CLM-6-LFN	CLM-6-LF-BO	CLM-6-LF-S	CLM-6-LFN-S	M6	10mm	1	5/32	45/64	5/16	900	180
CLM-8-LF	CLM-8-LFN	CLM-8-LF-BO	CLM-8-LF-S	CLM-8-LFN-S	M8	13mm	1-1/8	3/16	13/16	3/8	1,500	250
CLM-10-LF	CLM-10-LFN	CLM-10-LF-BO	CLM-10-LF-S	CLM-10-LFN-S	M10	17mm	1-1/4	3/16	7/8	13/32	2,600	300
CLM-12-LF	CLM-12-LFN	CLM-12-LF-BO	CLM-12-LF-S	CLM-12-LFN-S	M12	19mm	1-7/8	1/4	1-1/8	1/2	3,800	700
CLM-16-LF	CLM-16-LFN	CLM-16-LF-BO	CLM-16-LF-S	CLM-16-LFN-S	M16	24mm	2-1/2	5/16	1-1/4	1/2	7,200	1,200
CLM-20-LF	CLM-20-LFN	CLM-20-LF-BO	CLM-20-LF-S	CLM-20-LFN-S	M20	30mm	3	1/2	1-1/2	5/8	11,000	1,800

*Safe static load with stud securely mounted in a plate at least one-stud-diameter thick, at maximum stud extension (2:1 safety factor). Leveling Feet are rated with the same-length stud as on Stud Leveling Feet. Load capacity will drop significantly with longer studs.

Rubber Pad Covers fit over the bottom of Leveling Feet. These pad covers provide increased gripping to prevent sliding on sloped or uneven surfaces. They reduce walking and transmitted machine vibrations. Durable PVC material. Note: load capacity will be reduced with Rubber Pad Covers. See table below.



**Rubber Pad Covers
for Leveling Feet**



RUBBER PAD COVERS

PART NO.	FITS LEVELING FEET	A DIA	B	C DIA	D	LOAD RATING (LBS)
CL-6-RPC	3/8-16 and M10	1-1/2	3/8	1-1/4	1/8	300
CL-8-RPC	1/2-13 and M12	2-1/8	3/8	1-7/8		700
CL-10-RPC	5/8-11 and M16	2-3/4	7/16	2-1/2		1,200
CL-12-RPC	3/4-10 and M20	3-1/4	1/2	3		1,800

STUD LEVELING FEET

STEEL: 12L14, CARBURIZED-HARDENED (BODY ONLY), ZINC PLATED YELLOW CHROMATE OR BLACK OXIDE FINISH
 STAINLESS STEEL: 300 SERIES. DELRIN® PAD: WHITE DELRIN® 500.



**Steel
Zinc Plated**

**Steel
Zinc Plated
with Delrin® Pad**

**Steel
Black Oxide Finish**

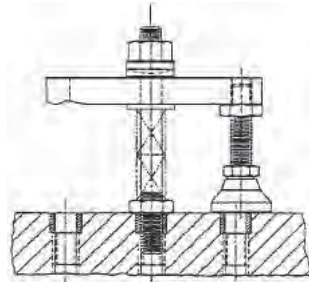
Stainless Steel

**Stainless Steel
with Delrin® Pad**

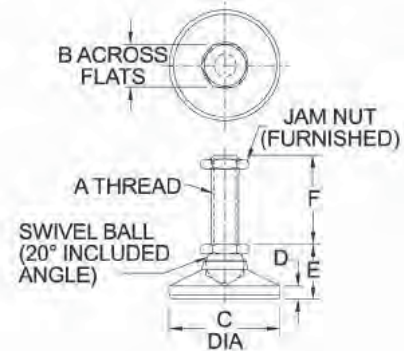
5

High-quality, heavy-duty leveling foot with large-diameter pad and integral stud. Stud and ball are one solid piece. Large ball provides high load capacity with a 20° total swivel angle.

* Safe static load with stud securely mounted in a plate at least one-stud-diameter thick, at maximum stud extension (2:1 safety factor). Load capacity will drop significantly with longer studs.



Can also be used as a clamp rest for Tapped-Heel Clamp Straps.



INCH

PART NO. STEEL ZINC PLATED	PART NO. STEEL ZINC PLATED DELRIN® PAD	PART NO. STEEL BLACK OXIDE	PART NO. STAINLESS	PART NO. STAINLESS DELRIN® PAD	A	B	C DIA	D	E	F	LOAD RATING (LBS)*	
											STEEL & STAINLESS	DELRIN®
CL-3-SLF	CL-3-SLFN	CL-3-SLF-BO	CL-3-SLF-S	CL-3-SLFN-S	#10-32	3/8	3/4	7/64	17/32	1	700	150
CL-3-SLF-2	CL-3-SLFN-2	CL-3-SLF-2-BO	CL-3-SLF-2-S	CL-3-SLFN-2-S							200	
CL-4-SLF	CL-4-SLFN	CL-4-SLF-BO	CL-4-SLF-S	CL-4-SLFN-S	1/4-20	1/2	1	5/32	45/64	1-1/4	1,000	200
CL-4-SLF-2.5	CL-4-SLFN-2.5	CL-4-SLF-2.5-BO	CL-4-SLF-2.5-S	CL-4-SLFN-2.5-S						250		
CL-5-SLF	CL-5-SLFN	CL-5-SLF-BO	CL-5-SLF-S	CL-5-SLFN-S	5/16-18	9/16	1-1/8	3/16	13/16	2	1,500	250
CL-5-SLF-4	CL-5-SLFN-4	CL-5-SLF-4-BO	CL-5-SLF-4-S	CL-5-SLFN-4-S						400		
CL-6-SLF	CL-6-SLFN	CL-6-SLF-BO	CL-6-SLF-S	CL-6-SLFN-S	3/8-16	5/8	1-1/4	3/16	7/8	2	2,300	300
CL-6-SLF-4	CL-6-SLFN-4	CL-6-SLF-4-BO	CL-6-SLF-4-S	CL-6-SLFN-4-S						600		
CL-8-SLF	CL-8-SLFN	CL-8-SLF-BO	CL-8-SLF-S	CL-8-SLFN-S	1/2-13	3/4	1-7/8	1/4	1-1/8	2	4,200	700
CL-8-SLF-4	CL-8-SLFN-4	CL-8-SLF-4-BO	CL-8-SLF-4-S	CL-8-SLFN-4-S						1100		
CL-10-SLF	CL-10-SLFN	CL-10-SLF-BO	CL-10-SLF-S	CL-10-SLFN-S	5/8-11	15/16	2-1/2	5/16	1-1/4	2	6,600	1,200
CL-10-SLF-4	CL-10-SLFN-4	CL-10-SLF-4-BO	CL-10-SLF-4-S	CL-10-SLFN-4-S						1700		
CL-12-SLF	CL-12-SLFN	CL-12-SLF-BO	CL-12-SLF-S	CL-12-SLFN-S	3/4-10	1-1/8	3	1/2	1-1/2	2	10,000	1,800
CL-12-SLF-4	CL-12-SLFN-4	CL-12-SLF-4-BO	CL-12-SLF-4-S	CL-12-SLFN-4-S						2500		
CL-16-SLF	—	CL-16-SLF-BO	CL-16-SLF-S	—	1"-8	1-1/2	4	13/32	1-7/8	4-1/4	18,000	—
CL-16-SLF-8	—	CL-16-SLF-8-BO	CL-16-SLF-8-S	—						8	4500	

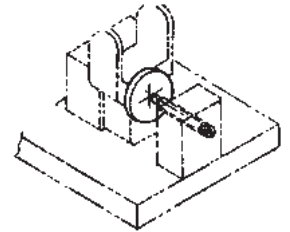
METRIC

CLM-6-SLF	CLM-6-SLFN	CLM-6-SLF-BO	CLM-6-SLF-S	CLM-6-SLFN-S	M6	10mm	1	5/32	45/64	1.57	900	180
CLM-8-SLF	CLM-8-SLFN	CLM-8-SLF-BO	CLM-8-SLF-S	CLM-8-SLFN-S	M8	13mm	1-1/8	3/16	13/16	1.97	1,500	250
CLM-10-SLF	CLM-10-SLFN	CLM-10-SLF-BO	CLM-10-SLF-S	CLM-10-SLFN-S	M10	17mm	1-1/4	3/16	7/8	2	2,600	300
CLM-12-SLF	CLM-12-SLFN	CLM-12-SLF-BO	CLM-12-SLF-S	CLM-12-SLFN-S	M12	19mm	1-7/8	1/4	1-1/8		3,800	700
CLM-16-SLF	CLM-16-SLFN	CLM-16-SLF-BO	CLM-16-SLF-S	CLM-16-SLFN-S	M16	24mm	2-1/2	5/16	1-1/4	2	7,200	1,200
CLM-20-SLF	CLM-20-SLFN	CLM-20-SLF-BO	CLM-20-SLF-S	CLM-20-SLFN-S	M20	30mm	3	1/2	1-1/2		11,000	1,800

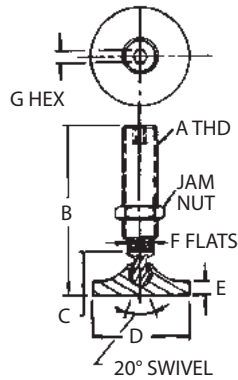
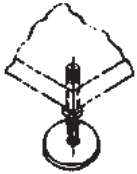
JIG FEET LEVELING

PATENT NO. 2,531,892

SCREW: 12L14 STEEL, CARBURIZED-HARDENED, ZINC PLATED YELLOW CHROMATE
FOOT: 12L14 STEEL, ZINC PLATED YELLOW CHROMATE



Medium-duty leveling foot with removable pad. Lefthand thread in pad prevents backout while pad rotates and pivots freely.



INCH

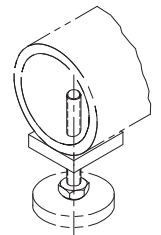
PART NO.	A	B	C	D DIA	E	F	G	*LOAD RATING (LBS)
CL-1-JFL	1/2-13	2-7/32	7/8	1-1/2	1/4	3/8	1/4	1,400
CL-2-JFL		4-7/32						430
CL-3-JFL	5/8-11	3-1/4	29/32	2	5/16	1/2	5/16	2,900
CL-4-JFL		5-1/4						1,200
CL-5A-JFL	3/4-10	3-1/2	1-1/6	2-1/2	3/8	9/16	3/8	3,700
CL-6-JFL		5-17/32						1,800
CL-7A-JFL	1-8	3-1/2	1-19/32	3-1/2	1/2	3/4	1/2	6,700
CL-8-JFL		5-19/32						6,400

METRIC

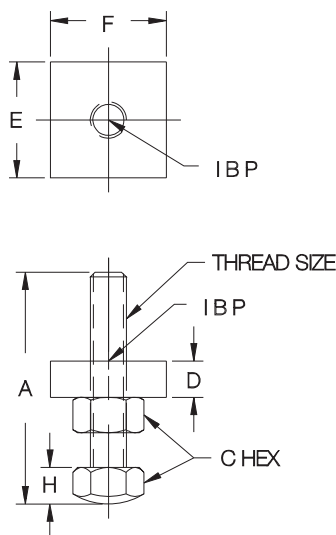
PART NO.	A	B	C	D DIA	E	F	G	*LOAD RATING (LBS)
CLM-1-JFL	M12	2.17	.87	1-1/2	1/4	10mm	6mm	1,400
CLM-2-JFL		4.33						430
CLM-3-JFL	M16	3.35	.91	2	5/16	13mm	8mm	2,900
CLM-4-JFL		5.31						1,200
CLM-5A-JFL	M20	3.54	1.06	2-1/2	3/8	17mm	10mm	3,700
CLM-6-JFL		5.51						1,800
CLM-7A-JFL	M24	3.54	1.61	3-1/2	1/2	19mm	12mm	6,700
CLM-8-JFL		5.71						6,400

JIG FEET LEVELING ASSEMBLIES

MILD STEEL, BLACK OXIDE FINISH



Complete leveling assembly includes radius-head screw, plate, and hex nut.



INCH

PART NO.	THREAD SIZE	A	C	D	E	F	H	*LOAD RATING (LBS)
CL-1-JF	3/8-16	3	11/16	1/2	1-1/2	1-3/4	.42	2,300
CL-2-JF	1/2-13	4	7/8	1/2	1-3/4	2	.53	4,200
CL-3-JF	5/8-11	4	1-1/16	5/8	2	2	.63	6,600
CL-4-JF	3/4-10	4	1-1/4	5/8	2	2	.75	10,000
CL-5-JF	1"-8	5	1-5/8	3/4	2	2	1.06	18,000

METRIC

PART NO.	THREAD SIZE	A	C	D	E	F	H	*LOAD RATING (LBS)
CLM-10-JF	M10	2.95	17mm	1/2	1-1/2	1-3/4	.43	2,600
CLM-12-JF	M12	3.94	19mm	1/2	1-3/4	2	.55	3,800
CLM-16-JF	M16	3.94	24mm	5/8	2	2	.63	7,200
CLM-20-JF	M20	3.94	30mm	5/8	2	2	.75	11,000
CLM-24-JF	M24	5.12	36mm	3/4	2	2	1.06	16,000

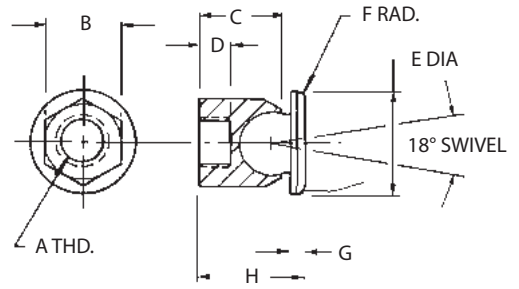
* Safe static load with stud securely mounted in a plate at least one-stud-diameter thick, at maximum stud extension (2:1 safety factor). Jig Feet Leveling Assemblies are rated with the standard plate provided.

SWIVEL PADS

PAD: 12L14 STEEL, CARBURIZED-HARDENED, BLACK OXIDE FINISH OR DELRIN®
 NUT: 12L14 STEEL, BLACK OXIDE FINISH



Heavy-duty swivel foot pivots to contact sloped surfaces evenly. Large ball provides high load capacity with a 18° total swivel angle. Choice of steel or Delrin® pad.



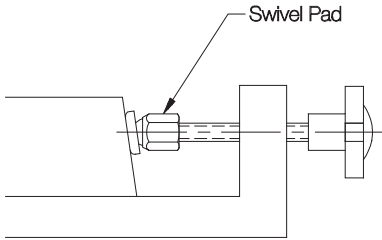
INCH

PART NO. STEEL PAD	PART NO. DELRIN® PAD	A	B	C	D	E DIA	F	G	H
CL-1-SPA	CL-1-SPAN	1/4-20	1/2	.50	.23	5/8	.06	.10	.67
CL-2-SPA	CL-2-SPAN	5/16-18	9/16	.58	.27	3/4			
CL-3-SPA	CL-3-SPAN	3/8-16	5/8	.71	.29	7/8	.09	.12	.91
CL-4-SPA	CL-4-SPAN	1/2-13	3/4	.81	.31	1			
CL-5-SPA	CL-5-SPAN	5/8-11	7/8	1.00	.35	1-1/8	.15	1.25	
CL-6-SPA	—	3/4-10	1-1/16	1.12		1-1/4			1.38
CL-7-SPA	—	1-8	1-3/8	1.50		1-5/8			

METRIC

CLM-6-SPA	CLM-8-SPA	CLM-10-SPA	CLM-12-SPA	CLM-16-SPA	CLM-20-SPA
—	—	—	—	—	—
M6	M8	M10	M12	M16	M20
10mm	13mm	17mm	19mm	24mm	30mm
.56	.58	.71	.81	1.00	1.12
.23	.22	.29	.31	.35	.35
1/2	3/4	7/8	1	1-1/8	1-1/4
.04	.06	.06	.06	.09	.09
.08	.10	.12	.12	.15	.15
.67	.75	.91	1.05	1.25	1.38

5

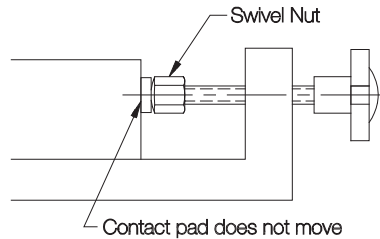


SWIVEL NUTS

NUT: 12L14 STEEL, CARBURIZED-HARDENED, BLACK OXIDE FINISH
 PAD: 12L14 STEEL, BLACK OXIDE FINISH



Nut turns freely without pivoting while pad remains stationary, to avoid moving or marring the workpiece.

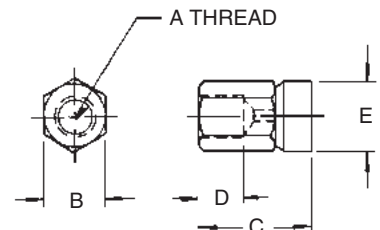


INCH

PART NO.	A	B	C	D	E DIA
CL-4-SN	1/4-20	5/16	7/16	3/16	3/8
CL-5-SN	5/16-18	3/8	15/32	1/4	7/16
CL-6-SN	3/8-16	7/16	17/32	17/64	1/2
CL-8-SN	1/2-13	5/8	21/32	3/8	11/16
CL-10-SN	5/8-11	3/4	27/32	7/16	7/8
CL-12-SN	3/4-10	7/8	1	1/2	1

METRIC

CLM-6-SN	CLM-10-SN	CLM-12-SN
M6	M10	M12
8mm	13mm	17mm
.43	.55	.67
3/16	17/64	3/8
.39	.51	.71



SWIVEL PAD FEET

STEEL PAD: 12L14 STEEL, ZINC PLATED YELLOW CHROMATE OR BLACK OXIDE FINISH
 DELRIN® PAD: WHITE DELRIN 500. STAINLESS PAD: 300-SERIES STAINLESS STEEL
 STEEL NUT: 12L14 STEEL, CARBURIZED-HARDENED ZINC PLATED YELLOW CHROMATE OR BLACK OXIDE FINISH
 STAINLESS NUT: 300-SERIES STAINLESS STEEL



**Steel
Zinc Plated**



**Steel
Zinc Plated
with Delrin® Pad**

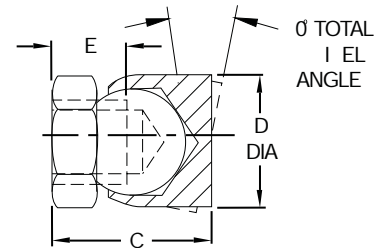
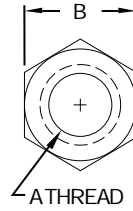
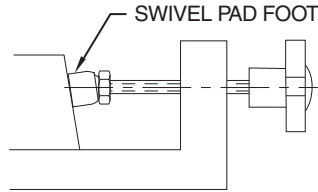


**Steel
Black Oxide Finish**



**Stainless
Steel**

Heavy-duty swivel foot pivots to contact sloped surfaces evenly. Large ball provides high load capacity with a 20° total swivel angle. Available in steel (zinc plated or black oxide finish), steel with a Delrin® pad, and stainless steel.



STEEL — ZINC PLATED (INCH)

PART NO.	A	B	C	D DIA	E
CL-4-SPF	1/4-20	1/2	5/8	5/8	5/16
CL-5-SPF	5/16-18	9/16	3/4	11/16	3/8
CL-6-SPF	3/8-16	5/8	13/16	3/4	
CL-8-SPF	1/2-13	3/4	15/16	7/8	7/16
CL-10-SPF	5/8-11	7/8	1	1	
CL-12-SPF	3/4-10	1-1/16	1-11/32	1-1/4	5/8

STEEL — ZINC PLATED (METRIC)

PART NO.	A	B	C	D DIA	E
CLM-6-SPF	M6	10mm	5/8	5/8	5/16
CLM-8-SPF	M8	13mm	3/4	11/16	3/8
CLM-10-SPF	M10	17mm	13/16	3/4	
CLM-12-SPF	M12	19mm	15/16	7/8	7/16
CLM-16-SPF	M16	24mm	1	1	
CLM-20-SPF	M20	30mm	1-11/32	1-1/4	5/8

STEEL — ZINC PLATED WITH DELRIN® PAD (INCH)

PART NO.	A	B	C	D DIA	E
CL-4-SPFN	1/4-20	1/2	5/8	5/8	5/16
CL-5-SPFN	5/16-18	9/16	3/4	11/16	3/8
CL-6-SPFN	3/8-16	5/8	13/16	3/4	
CL-8-SPFN	1/2-13	3/4	15/16	7/8	7/16
CL-10-SPFN	5/8-11	7/8	1	1	
CL-12-SPFN	3/4-10	1-1/16	1-11/32	1-1/4	5/8

STEEL — ZINC PLATED WITH DELRIN® PAD (METRIC)

PART NO.	A	B	C	D DIA	E
CLM-6-SPFN	M6	10mm	5/8	5/8	5/16
CLM-8-SPFN	M8	13mm	3/4	11/16	3/8
CLM-10-SPFN	M10	17mm	13/16	3/4	
CLM-12-SPFN	M12	19mm	15/16	7/8	7/16
CLM-16-SPFN	M16	24mm	1	1	
CLM-20-SPFN	M20	30mm	1-11/32	1-1/4	5/8

STEEL — BLACK OXIDE FINISH (INCH)

PART NO.	A	B	C	D DIA	E
CL-4-SPF-BO	1/4-20	1/2	5/8	5/8	5/16
CL-5-SPF-BO	5/16-18	9/16	3/4	11/16	3/8
CL-6-SPF-BO	3/8-16	5/8	13/16	3/4	
CL-8-SPF-BO	1/2-13	3/4	15/16	7/8	7/16
CL-10-SPF-BO	5/8-11	7/8	1	1	
CL-12-SPF-BO	3/4-10	1-1/16	1-11/32	1-1/4	5/8

STEEL — BLACK OXIDE FINISH (METRIC)

PART NO.	A	B	C	D DIA	E
CLM-6-SPF-BO	M6	10mm	5/8	5/8	5/16
CLM-8-SPF-BO	M8	13mm	3/4	11/16	3/8
CLM-10-SPF-BO	M10	17mm	13/16	3/4	
CLM-12-SPF-BO	M12	19mm	15/16	7/8	7/16
CLM-16-SPF-BO	M16	24mm	1	1	
CLM-20-SPF-BO	M20	30mm	1-11/32	1-1/4	5/8

STAINLESS STEEL (INCH)

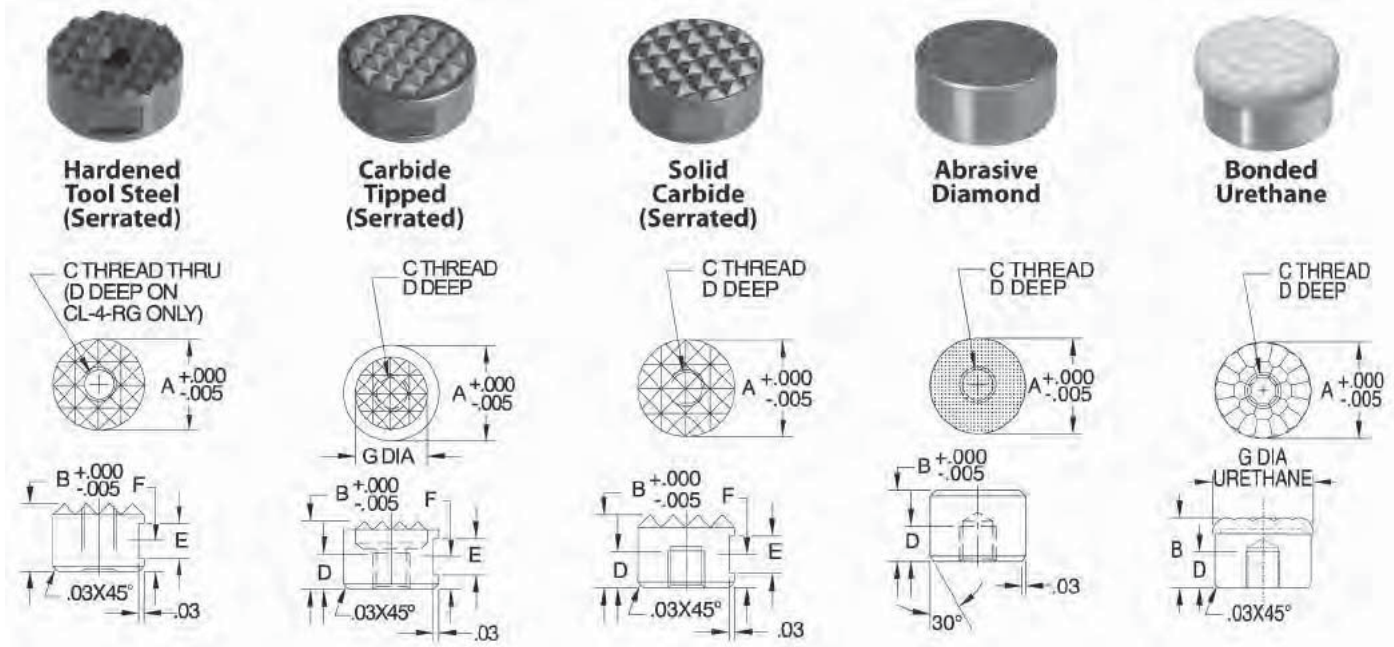
PART NO.	A	B	C	D DIA	E
CL-4-SPF-S	1/4-20	1/2	5/8	5/8	5/16
CL-5-SPF-S	5/16-18	9/16	3/4	11/16	3/8
CL-6-SPF-S	3/8-16	5/8	13/16	3/4	
CL-8-SPF-S	1/2-13	3/4	15/16	7/8	7/16
CL-10-SPF-S	5/8-11	7/8	1	1	
CL-12-SPF-S	3/4-10	1-1/16	1-11/32	1-1/4	5/8

STAINLESS STEEL (METRIC)

PART NO.	A	B	C	D DIA	E
CLM-6-SPF-S	M6	10mm	5/8	5/8	5/16
CLM-8-SPF-S	M8	13mm	3/4	11/16	3/8
CLM-10-SPF-S	M10	17mm	13/16	3/4	
CLM-12-SPF-S	M12	19mm	15/16	7/8	7/16
CLM-16-SPF-S	M16	24mm	1	1	
CLM-20-SPF-S	M20	30mm	1-11/32	1-1/4	5/8

ROUND GRIPPERS

HARDENED TOOL STEEL: M-2 TOOL STEEL, HEAT TREATED RC 60-62, BLACK OXIDE FINISH
 CARBIDE TIPPED: ALLOY STEEL, HEAT TREATED, WITH BRAZED CARBIDE INSERT, BLACK OXIDE FINISH
 SOLID CARBIDE: CARBIDE WITH STEEL THREAD INSERT
 ABRASIVE DIAMOND: 17-4PH STAINLESS STEEL, HEAT TREATED RC 43-46, WITH FUSED ABRASIVE DIAMOND SURFACE
 BONDED URETHANE: 300-SERIES STAINLESS STEEL WITH BONDED URETHANE SURFACE



Round Grippers are replaceable inserts that provide additional holding force and/or wear resistance when installed in a fixture. Fasten from behind with a socket-head cap screw, or clamp with a setscrew on the O.D. locking flat (where provided). Grippers can be recess-mounted in a flat-bottom hole, or surface mounted to use as a rest pad. Round Grippers can also be installed in Gripper Swivel Pads and Gripper Swivel Contact Bolts.

Serrated grippers are designed to slightly penetrate the workpiece to significantly increase gripping force, rather than relying on static friction alone. The hardened-tool-steel version is the most economical and impact resistant. The carbide-tipped version is still economical and impact resistant while providing extra durability. The solid-carbide version is the most durable.

Abrasive-diamond grippers have an abrasive-diamond surface permanently fused to a hardened stainless steel pad. This abrasive surface, comparable to a 100-grit abrasive, provides significant holding force with relatively low clamping pressure and minimal surface marring. This diamond-particle surface also offers excellent wear resistance.

Bonded-urethane grippers have a urethane surface permanently bonded to a stainless steel pad. This non-marking, non-staining urethane provides excellent protection against damage to finished workpieces. The bubbled texture of the urethane surface offers firm gripping, yet allows air to escape so that no suction is created under load. Urethane also provides excellent wear resistance, and is available in three firmnesses to suit a wide variety of applications.

INCH

PART NO. HARDENED TOOL STEEL (SERRATED)	PART NO. CARBIDE TIPPED (SERRATED)	PART NO. SOLID CARBIDE (SERRATED)	PART NO. ABRASIVE DIAMOND	A DIA	B	C	D	E	F	G DIA	SERRATIONS	PART NO. BONDED URETHANE	URETHANE				
													B	D	G DIA		
CL-4-RG	—	—	—	1/4	3/8	#8-32	3/16	—	—	5/16	Extra Fine	—	—	—			
CL-6-RG	CL-6-RGT	—	CL-6-RGD	3/8		#10-32		3/16	3/16			11/64	3/8	Fine	.125x90°	CL-6-RGU-1*	1/2
CL-8-RG	CL-8-RGT	CL-8-RGC	CL-8-RGD	1/2						CL-8-RGU-1*	.51						
CL-10-RG	CL-10-RGT	CL-10-RGC	CL-10-RGD	5/8						CL-10-RGU-1*			.63				
CL-12-RG	CL-12-RGT	CL-12-RGC	CL-12-RGD	3/4						CL-12-RGU-1*	.83						
CL-16-RG	CL-16-RGT	—	CL-16-RGD	1		CL-16-RGU-1*		1.06									

METRIC

CLM-10-RG	CLM-10-RGT	—	CLM-10-RGD	.394 (10mm)	.3937 (10mm)	M5	.18	.185	.177	—	Extra Fine	CLM-10-RGU-1*	.472 (12mm)	.24	.39	
CLM-12-RG	CLM-12-RGT	—	CLM-12-RGD	.472 (12mm)								CLM-12-RGU-1*				.51
CLM-16-RG	CLM-16-RGT	—	CLM-16-RGD	.630 (16mm)								CLM-16-RGU-1*				
CLM-20-RG	CLM-20-RGT	—	CLM-20-RGD	.787 (20mm)								CLM-20-RGU-1*				.83
CLM-25-RG	CLM-25-RGT	—	CLM-25-RGD	.984 (25mm)								CLM-25-RGU-1*				

* -1=35 Durometer, -2=60 Durometer, -3=80 Durometer

ROUND GRIPPERS

CARBIDE TIPPED: ALLOY STEEL, HEAT TREATED, WITH BRAZED CARBIDE INSERT, BLACK OXIDE FINISH
 HARDENED STEEL: 8620 STEEL, CARBURIZED-HARDENED, BLACK OXIDE FINISH
 HARDENED STAINLESS STEEL: 17-4 STAINLESS STEEL, HEAT TREATED RC 43-46
 DELRIN®: WHITE DELRIN® 500



Carbide Tipped (Flat)



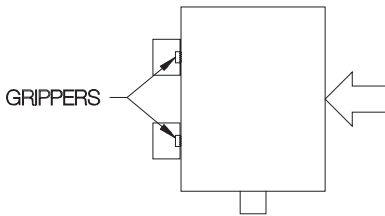
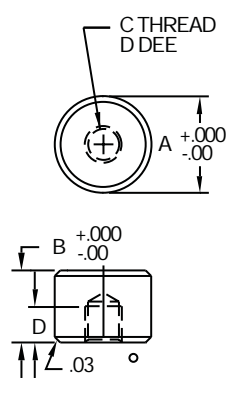
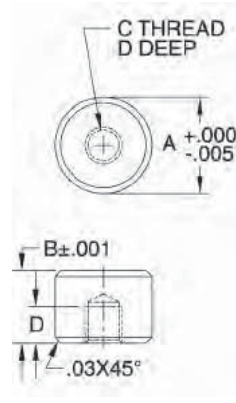
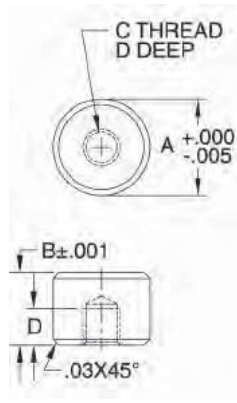
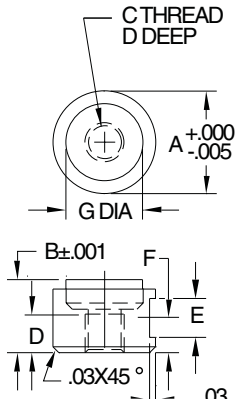
Hardened Steel (Flat)



Hardened Stainless Steel (Flat)

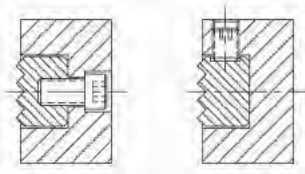


Delrin® (Flat)



Serrated grippers recessed into a fixture's locating surfaces dramatically increase resistance to movement by embedding themselves in the workpiece.

Flat grippers can be used to provide additional wear resistance, or as precision rest pads. The carbide-tipped version is the most durable. The hardened-steel version is the most economical and impact resistant. The hardened-stainless-steel version provides high strength and excellent corrosion resistance. The Delrin® version helps avoid marring finished workpieces.



INCH

PART NO. CARBIDE TIPPED (FLAT)	PART NO. HARDENED STEEL (FLAT)	PART NO. HARDENED STAINLESS (FLAT)	PART NO. DELRIN® (FLAT)	A DIA	B	C	D	E	F	G DIA
CL-6-RGFT	CL-6-RGF	CL-6-RGF-S	CL-6-RGFN	3/8	3/8	#10-32	3/8	3/16	11/64	5/16
CL-8-RGFT	CL-8-RGF	CL-8-RGF-S	CL-8-RGFN	1/2						3/8
CL-10-RGFT	CL-10-RGF	CL-10-RGF-S	CL-10-RGFN	5/8		1/4-28				1/2
CL-12-RGFT	CL-12-RGF	CL-12-RGF-S	CL-12-RGFN	3/4						5/8
CL-16-RGFT	CL-16-RGF	CL-16-RGF-S	CL-16-RGFN	1						3/4

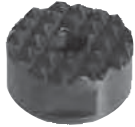
METRIC

—	CLM-10-RGF	CLM-10-RGF-S	CLM-10-RGFN	.394 (10mm)	.3937 (10mm)	M5	.18	.185	.177	—
—	CLM-12-RGF	CLM-12-RGF-S	CLM-12-RGFN	.472 (12mm)						
—	CLM-16-RGF	CLM-16-RGF-S	CLM-16-RGFN	.630 (16mm)		M6				
—	CLM-20-RGF	CLM-20-RGF-S	CLM-20-RGFN	.787 (20mm)						
—	CLM-25-RGF	CLM-25-RGF-S	CLM-25-RGFN	.984 (25mm)						

Round Grippers can be fastened from behind with a Socket-Head Cap Screw. Some gripper types also have an O.D. locking flat for fastening with a set screw.

ROUND GRIPPERS (COUNTERBORED)

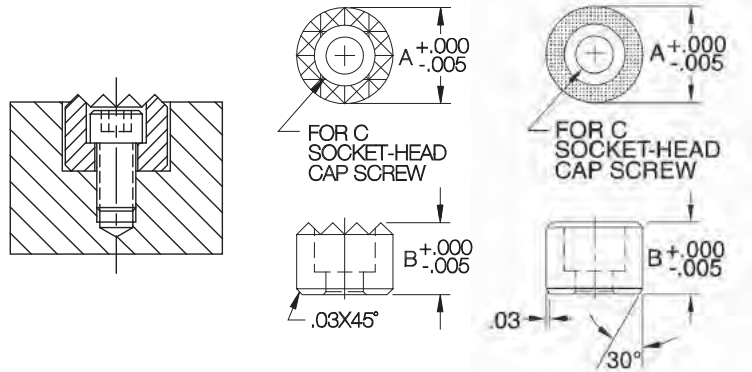
HARDENED TOOL STEEL: M-2 TOOL STEEL, HEAT TREATED RC 60-62, BLACK OXIDE FINISH
 ABRASIVE DIAMOND: 17-4 STAINLESS STEEL, HEAT TREATED RC 43-46, WITH ABRASIVE DIAMOND SURFACE



**Hardened Tool Steel
(Serrated)**



Diamond Abrasive



5 Counterbored Round Grippers are ideal for blind-hole installation and surface mounting. Fasten with a standard socket-head cap screw. The serrated version, made of hardened tool steel, is designed to slightly penetrate the workpiece to significantly increase gripping force. The abrasive-diamond version has an abrasive-diamond surface permanently fused to a hardened stainless steel pad. This abrasive surface, comparable to a 100-grit abrasive, provides significant holding force with relatively low clamping pressure and minimal surface marring. This diamond-particle surface also offers excellent wear resistance.

INCH

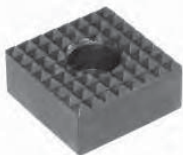
PART NO. HARDENED TOOL STEEL (SERRATED)	PART NO. DIAMOND ABRASIVE	A DIA	B	C	SERRATIONS (HARDENED TOOL STEEL VERSION)	
CL-8-RGB	CL-8-RGBD	1/2	3/8	#8	Fine	.125x90°
CL-10-RGB	CL-10-RGBD	5/8				
CL-12-RGB	CL-12-RGBD	3/4	1/2	#10		
CL-16-RGB	CL-16-RGBD	1				

METRIC

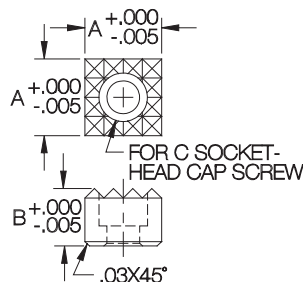
CLM-12-RGB	CLM-12-RGBD	.472 (12mm)	.394 (10mm)	M4	Fine	.125x90°
CLM-16-RGB	CLM-16-RGBD	.630 (16mm)				
CLM-20-RGB	CLM-20-RGBD	.787 (20mm)	.472 (12mm)	M5		
CLM-25-RGB	CLM-25-RGBD	.984 (25mm)				

SQUARE GRIPPERS (COUNTERBORED)

M-2 TOOL STEEL, HEAT TREATED RC 60-62, BLACK OXIDE FINISH



**Hardened Tool Steel
(Serrated)**



Counterbored Round Grippers are ideal for blind-hole installation and surface mounting. Fasten with a standard socket-head cap screw.

COUNTERBORED (INCH)

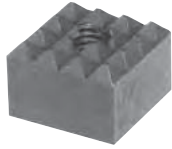
PART NO. HARDENED TOOL STEEL (SERRATED)	A	B	C	SERRATIONS	
CL-8-SGB	1/2	1/2	#10	Fine	.125x90°
CL-12-SGB	3/4				
CL-16-SGB	1	1/4			

COUNTERBORED (METRIC)

CLM-12-SGB	.472 (12mm)	.472 (12mm)	M4	Fine	.125x90°
CLM-20-SGB	.787 (20mm)				
CLM-25-SGB	.984 (25mm)	M6			

SQUARE GRIPPERS

HARDENED TOOL STEEL: M-2 TOOL STEEL, HEAT TREATED RC 60-62, BLACK OXIDE FINISH
 CARBIDE TIPPED: ALLOY STEEL, HEAT TREATED, WITH BRAZED CARBIDE INSERT, BLACK OXIDE FINISH
 SOLID CARBIDE: CARBIDE WITH STEEL THREAD INSERT



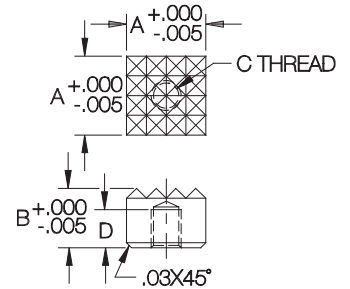
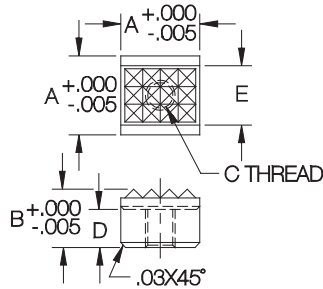
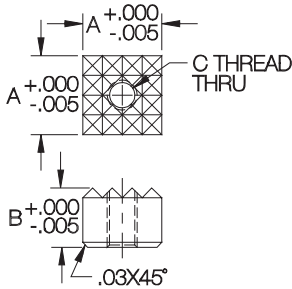
Hardened Tool Steel (Serrated)



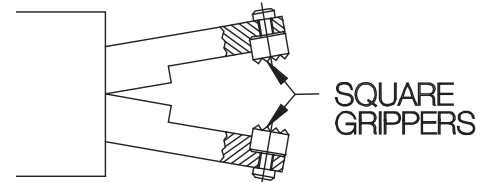
Carbide Tipped (Serrated)



Solid Carbide (Serrated)



Square Grippers are similar to Round Grippers, but their shape is useful when positive resistance to rotation is required (they can be mounted against a step to prevent rotation). These serrated grippers are hard, replaceable inserts that provide additional holding force and/or wear resistance when installed in a fixture. They are designed to slightly penetrate the workpiece to significantly increase gripping force, rather than relying on static friction alone. The hardened-tool-steel version is the most economical and impact resistant. The carbide-tipped version is still economical and impact resistant while providing extra durability. The solid-carbide version is the most durable.



Square Grippers can be mounted against a step for positive resistance to rotation.

INCH

PART NO. HARDENED TOOL STEEL (SERRATED)	PART NO. CARBIDE TIPPED (SERRATED)	PART NO. SOLID CARBIDE (SERRATED)	A	B	C	D	E	SERRATIONS	
CL-6-SG	—	—	3/8	3/8	#10-32	—	—	XFine	.094x90°
CL-8-SG	CL-8-SGT	CL-8-SGC	1/2			3/16	13/32	Fine	.125x90°
CL-12-SG	—	—	3/4			—	—	—	—
CL-16-SG	—	—	1			1/4-28	—	—	—

INCH

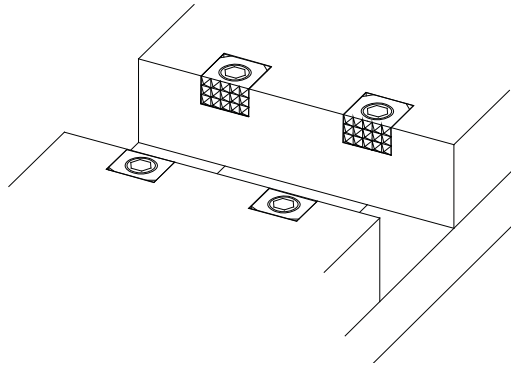
CLM-10-SG	—	—	.394(10mm)	.394 (10mm)	M5	—	—	XFine	.094x90°
CLM-12-SG	CLM-12-SGT	—	.472(12mm)			3/16	13/32	Fine	.125x90°
CLM-20-SG	—	—	.787(20mm)			—	—	—	—
CLM-25-SG	—	—	.984(25mm)			M6	—	—	—

EDGE GRIPPERS

M-2 TOOL STEEL, HEAT TREATED RC 60-62, BLACK OXIDE FINISH



**Serrated
Hardened Tool Steel**

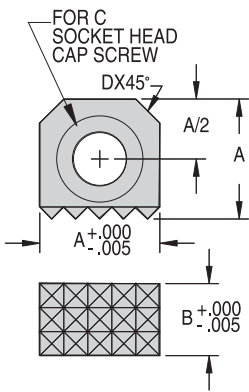


Edge Grippers are ideal for mounting at the top edge of a clamping face such as a vise jaw.

Edge Grippers are helpful for applications where traditional face-mounted grippers are difficult to install. They have a useful flat profile because the mounting screw is parallel to the serrated face. These serrated grippers are hard, replaceable inserts used to provide additional holding force and/or wear resistance when installed in a fixture. They are designed to slightly penetrate the workpiece to significantly increase gripping force, rather than relying on static friction alone. Edge Grippers should be mounted in a flat-bottom recess that provides support behind the gripper. Fasten with a standard socket-head cap screw (on the largest three sizes, a low-head cap screw can be used to keep the screw head below the top surface). The serrated face should project 50 to 100% of serration height for maximum effectiveness (serration height is .062" on grippers with fine serrations, .047" on grippers with extra-fine serrations, and .031" on grippers with super-fine serrations).

INCH

PART NO.	A	B	SERRATIONS	C	COUNTERBORE DEPTH	D
CL-6-EG-4	3/8	1/4	Extra Fine .094x90°	#6	.146	1/16
CL-6-EG-4-SF			Super Fine .062x90°			
CL-6-EG-6		3/8	Extra Fine .094x90°			
CL-6-EG-6-SF	Super Fine .062x90°					
CL-8-EG-4	1/2	1/4	Fine .125x90°	#8	.170	3/32
CL-8-EG-4-EF			Extra Fine .094x90°			
CL-8-EG-6		3/8	Fine .125x90°			
CL-8-EG-6-EF			Extra Fine .094x90°			
CL-8-EG-8		1/2	Fine .125x90°			
CL-8-EG-8-EF			Extra Fine .094x90°			
CL-10-EG-4	5/8	1/4	Fine .125x90°	1/4	.130	1/8
CL-10-EG-4-EF			Extra Fine .094x90°			
CL-10-EG-6		3/8	Fine .125x90°			
CL-10-EG-6-EF			Extra Fine .094x90°			
CL-10-EG-8		1/2	Fine .125x90°			
CL-10-EG-8-EF			Extra Fine .094x90°			
CL-12-EG-4	3/4	1/4	Fine .125x90°	5/16	.161	1/8
CL-12-EG-4-EF			Extra Fine .094x90°			
CL-12-EG-6		3/8	Fine .125x90°			
CL-12-EG-6-EF			Extra Fine .094x90°			
CL-12-EG-8		1/2	Fine .125x90°			
CL-12-EG-8-EF			Extra Fine .094x90°			
CL-16-EG-6	1	3/8	Fine .125x90°	3/8	.194	1/8
CL-16-EG-6-EF			Extra Fine .094x90°			
CL-16-EG-8		1/2	Fine .125x90°			
CL-16-EG-8-EF			Extra Fine .094x90°			



METRIC

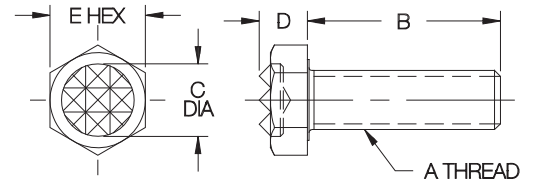
CLM-10-EG-6	.394(10mm)	.236(6mm)	Extra Fine	.094x90°	M3 or #6	.148	.06
CLM-10-EG-10		.394(10mm)					
CLM-12-EG-6	.472(12mm)	.236(6mm)	Fine	.125x90°	M4 or #8	.160	.09
CLM-12-EG-10		.394(10mm)					
CLM-12-EG-12	.630(16mm)	.472(12mm)	Fine	.125x90°	M6 or 1/4	.165	.13
CLM-16-EG-6		.236(6mm)					
CLM-16-EG-10	.630(16mm)	.394(10mm)	Fine	.125x90°	M8 or 5/16	.200	.13
CLM-16-EG-12		.472(12mm)					
CLM-20-EG-6	.787(20mm)	.236(6mm)	Fine	.125x90°	M10 or 3/8	.260	.13
CLM-20-EG-10		.394(10mm)					
CLM-20-EG-12	.984(25mm)	.472(12mm)	Fine	.125x90°	M10 or 3/8	.260	.13
CLM-25-EG-10		.394(10mm)					
CLM-25-EG-12	.984(25mm)	.472(12mm)	Fine	.125x90°	M10 or 3/8	.260	.13
CLM-25-EG-12		.472(12mm)					

GRIPPER CONTACT BOLTS

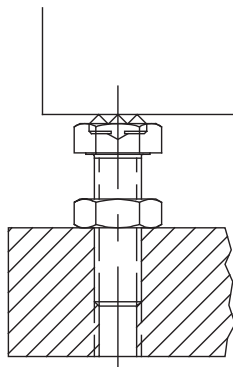
STEEL, CARBURIZED-HARDENED, BLACK OXIDE FINISH, WITH BRAZED CARBIDE GRIPPER



**Carbide Tipped
(Serrated)**



Fully threaded contact bolt with a carbide-tipped gripper head. Can be used as an adjustable support, or as a contact bolt in a clamp. Available in thread sizes from 1/4-20 to 5/8-11 (M6 to M16 in metric) each in a choice of lengths.



INCH

PART NO.	A	B	C DIA	D	E	SERRATIONS	
CL-405-GCB	1/4-20	1/2	5/16	13/64	7/16	Extra Fine	.094x90°
CL-410-GCB		1					
CL-505-GCB	5/16-18	1/2	3/8	1/4	1/2	Fine	.125x90°
CL-510-GCB		1					
CL-515-GCB		1-1/2					
CL-605-GCB	3/8-16	1/2	1/2	9/32	9/16	Fine	.125x90°
CL-610-GCB		1					
CL-615-GCB		1-1/2					
CL-810-GCB	1/2-13	1	5/8	23/64	3/4	Fine	.125x90°
CL-815-GCB		1-1/2					
CL-1010-GCB	5/8-11	1	3/4	7/16	15/16	Fine	.125x90°
CL-1020-GCB		2					

METRIC

PART NO.	A	B	C DIA	D	E	SERRATIONS	
CLM-612-GCB	M6	.47	5/16	.20	10mm	Extra Fine	.094x90°
CLM-625-GCB		.98					
CLM-812-GCB	M8	.47	3/8	.25	13mm	Fine	.125x90°
CLM-825-GCB		.98					
CLM-835-GCB		1.38					
CLM-1012-GCB	M10	.47	1/2	.30	17mm	Fine	.125x90°
CLM-1025-GCB		.98					
CLM-1040-GCB		1.57					
CLM-1225-GCB	M12	.98	5/8	.34	19mm	Fine	.125x90°
CLM-1240-GCB		1.57					
CLM-1635-GCB	M16	1.38	3/4	.43	24mm	Fine	.125x90°
CLM-1650-GCB		1.97					

GRIPPER SWIVEL CONTACT BOLTS

BODY AND GRIPPER SCREW: STEEL, CARBURIZED-HARDENED, BLACK OXIDE FINISH
 SWIVEL BALL: 440C STAINLESS STEEL, HEAT TREATED. O-RING: RUBBER
 INFO+: SEE PAGES 172-173 FOR ROUND GRIPPER MATERIAL SPECIFICATIONS



Hardened Tool Steel (Serrated)

Carbide Tipped (Serrated)

Solid Carbide (Serrated)

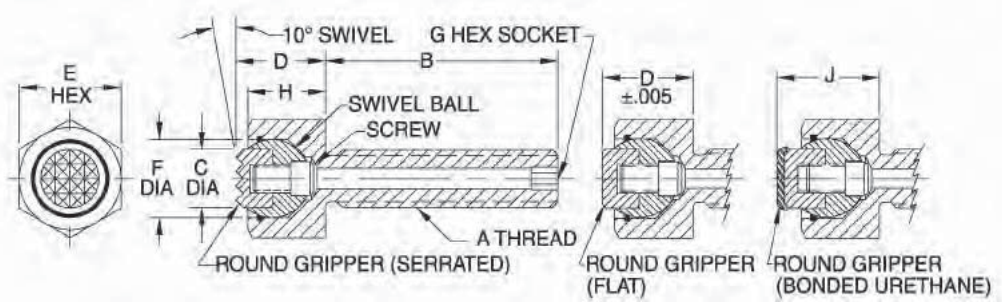
Abrasive Diamond

Bonded Urethane

Carbide Tipped (Flat)

Hardened Steel or Stainless, or Delrin® (Flat)

Threaded contact bolt with a built-in swivel ball to hold a Round Gripper. This swivel ball, held by a retaining ring, is removable to allow installing any of the eleven different gripper types (order gripper separately). A fastening screw is furnished with the contact bolt. This screw serves as a positive stop to prevent the ball from swiveling too far. Can be used as a contact bolt, or as a support. Available in thread sizes from 3/8-16 to 1"-8 (M10 to M24 in metric), most in a choice of several lengths.



BODY AND GRIPPER — ORDER SEPARATELY (INCH)

PART NO. BODY WITHOUT GRIPPER	PART NO. — ROUND GRIPPER							A	B	C DIA	D	E	F DIA	G	H	J	SERRATIONS	
	HARDENED TOOL STEEL (SERRATED)	CARBIDE TIPPED (SERRATED)	SOLID CARBIDE (SERRATED)	ABRASIVE DIAMOND	BONDED URETHANE	CARBIDE TIPPED (FLAT)	STEEL, SS, OR DELRIN® (FLAT)											
CL-605-GSB	CL-6-RG	CL-6-RGT	—	CL-6-RGD	CL-6-RGU-1	CL-6-RGFT	CL-6-RGF	3/8-16	1/2	3/8	5/8	5/8	1/2	1/8	1/2	3/4	Extra Fine	.094x90°
CL-610-GSB					CL-6-RGU-2		CL-6-RGF-S		1									
CL-615-GSB					CL-6-RGU-3		CL-6-RGFN		1-1/2									
CL-810-GSB	CL-8-RG	CL-8-RGT	CL-8-RGC	CL-8-RGD	CL-8-RGU-1	CL-8-RGFT	CL-8-RGF	1/2-13	1	1/2	3/4	13/16	5/8	3/16	5/8	7/8		
CL-815-GSB					CL-8-RGU-2		CL-8-RGF-S		1-1/2									
CL-1010-GSB	CL-10-RG	CL-10-RGT	CL-10-RGC	CL-10-RGD	CL-10-RGU-1	CL-10-RGFT	CL-10-RGF	5/8-11	1	5/8	13/16	15/16	3/4	1/4	11/16	15/16	Fine	.125x90°
CL-1020-GSB					CL-10-RGU-2		CL-10-RGFN		2									
CL-1210-GSB					CL-12-RGU-1		CL-12-RGF		1									
CL-1225-GSB	CL-12-RG	CL-12-RGT	CL-12-RGC	CL-12-RGD	CL-12-RGU-2	CL-12-RGFT	CL-12-RGF-S	3/4-10	2-1/2	3/4	7/8	1-1/8	7/8	5/16	3/4	1		
CL-1225-GSB					CL-12-RGU-3		CL-12-RGFN											
CL-1620-GSB	CL-16-RG	CL-16-RGT	—	CL-16-RGD	CL-16-RGU-1	CL-16-RGFT	CL-16-RGF	1"-8	2	1	1-1/8	1-1/2	1-1/8	3/8	1	1-1/4		

BODY AND GRIPPER — ORDER SEPARATELY (METRIC)

CLM-1015-GSB	CLM-10-RG	CLM-10-RGT	—	CLM-10-RGD	CLM-10-RGU-1	—	CLM-10-RGF	M10	.59	.394	.669	17mm	.51	3mm	.51	.75	Extra Fine	.094x90°
CLM-1030-GSB					CLM-10-RGU-2		CLM-10-RGFN		1.18									
CLM-1220-GSB	CLM-12-RG	CLM-12-RGT	—	CLM-12-RGD	CLM-12-RGU-1	—	CLM-12-RGF	M12	.79	.472	.748	19mm	.59	5mm	.59	.83		
CLM-1240-GSB					CLM-12-RGU-2		CLM-12-RGFN		1.57									
CLM-1625-GSB	CLM-16-RG	CLM-16-RGT	—	CLM-16-RGD	CLM-16-RGU-1	—	CLM-16-RGF	M16	.98	.630	.906	24mm	.79	6mm	.75	.98		
CLM-1650-GSB					CLM-16-RGU-2		CLM-16-RGFN		1.97									
CLM-2030-GSB	CLM-20-RG	CLM-20-RGT	—	CLM-20-RGD	CLM-20-RGU-1	—	CLM-20-RGF	M20	1.18	.787	.945	30mm	.91	8mm	.79	1.02		
CLM-2060-GSB					CLM-20-RGU-2		CLM-20-RGFN		2.36									
CLM-2440-GSB	CLM-25-RG	CLM-25-RGT	—	CLM-25-RGD	CLM-25-RGU-1	—	CLM-25-RGF	M24	1.57	.984	1.181	36mm	1.10	10mm	1.02	1.26		

GRIPPER SWIVEL CONTACT BOLTS

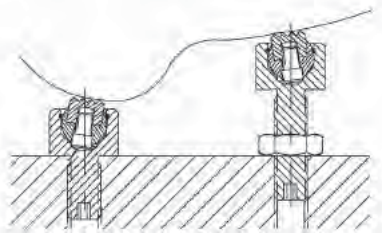
BODY: STEEL, CARBURIZED-HARDENED, BLACK OXIDE FINISH

O-RING: RUBBER

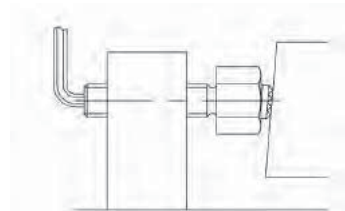
SERRATED SWIVEL BALL: HIGH-SPEED TOOL STEEL, BLACK OXIDE FINISH

FLAT SWIVEL BALL: STEEL, HARDENED, BLACK OXIDE FINISH

FLAT DELRIN® SWIVEL BALL: WHITE DELRI® 500



Gripper Swivel Contact Bolts are ideal as either fixed or adjustable supports under workpieces with curved or sloped surfaces.



Gripper Swivel Contact Bolts can also be used as screw clamps by turning them with a hex wrench (large sizes only).



Hardened Tool Steel (Serrated)



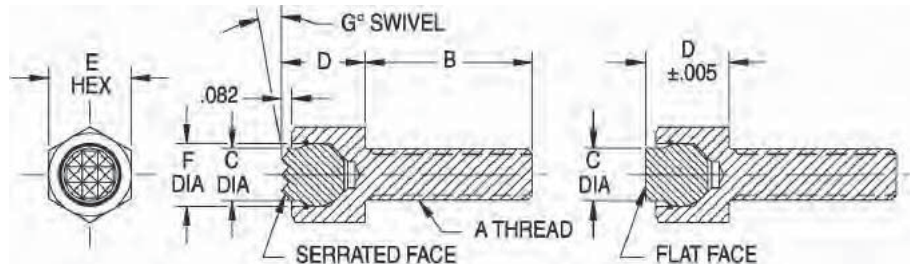
Hardened Steel (Flat)



Delrin® (Flat)

Mini Sizes

Mini threaded contact bolt with a built-in swivel ball held by a retaining ring. Choose from the three gripper types shown, serrated or flat. The gripper face is machined directly on the swivel ball. A positive stop prevents the ball from swiveling too far. Can be used as a contact bolt, or as a support. Available in thread sizes from #10-32 to 5/16-18 (M6 to M8 in metric), most in a choice of several lengths.



MINI — COMPLETE ASSEMBLY (INCH)

PART NO. — COMPLETE			A	B	C DIA	D	E	F DIA	G	SERRATIONS	
HARDENED TOOL STEEL (SERRATED)	HARDENED STEEL (FLAT)	DELRIN® (FLAT)									
CL-305-GSB	CL-305-GBF	CL-305-GBFN	#10-32	1/2	5/32	5/16	3/8	3/16	14°	Super Fine	.062x90°
CL-405-GSB	CL-405-GBF	CL-405-GBFN	1/4-20	1/2	1/4	3/8	7/16	7/32			
CL-410-GSB	CL-410-GBF	CL-410-GBFN		1							
CL-415-GSB	CL-415-GBF	CL-415-GBFN		1-1/2							
CL-505-GSB	CL-505-GBF	CL-505-GBFN	5/16-18	1/2	5/16	7/16	1/2	3/8			
CL-510-GSB	CL-510-GBF	CL-510-GBFN		1							
CL-515-GSB	CL-515-GBF	CL-515-GBFN		1-1/2							

MINI — COMPLETE ASSEMBLY (METRIC)

CLM-612-GSB	CLM-612-GBF	CLM-612-GBFN	M6	.47	.24	.374	10mm	.28	14°	Super Fine	.062x90°
CLM-625-GSB	CLM-625-GBF	CLM-625-GBFN		.98							
CLM-640-GSB	CLM-640-GBF	CLM-640-GBFN		1.57							
CLM-812-GSB	CLM-812-GBF	CLM-812-GBFN	M8	.47	.33	.512	13mm	.39	12°	Extra Fine	.094x90°
CLM-825-GSB	CLM-825-GBF	CLM-825-GBFN		.98							
CLM-840-GSB	CLM-840-GBF	CLM-840-GBFN		1.57							

GRIPPER SWIVEL PADS

BODY AND GRIPPER SCREW: STEEL, CARBURIZED-HARDENED, BLACK OXIDE FINISH. O-RING: RUBBER
 SWIVEL BALL ON STANDARD SIZES: 440C STAINLESS STEEL, HEAT TREATED
INFO+: SEE PAGES 190-191 FOR ROUND GRIPPER MATERIAL SPECIFICATIONS



Hardened Tool Steel (Serrated)



Carbide Tipped (Serrated)



Solid Carbide (Serrated)



Abrasive Diamond



Bonded Urethane

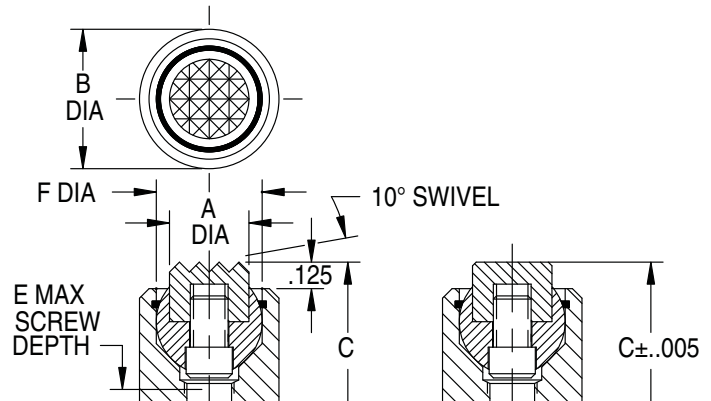


Carbide Tipped (Flat)



Hardened Steel or Stainless, or Delrin® (Flat)

Rest pad with a built-in swivel ball held by a retaining ring. A positive stop prevents the ball from swiveling too far. The swivel ball is removable to allow installing any of 11 different Round-Gripper types (order separately). Simply insert a hex wrench or rod to push the ball out from behind. Gripper Swivel Pads are available in a wide range of sizes. They can be surface-mounted or installed in a counterbored hole.



BODY AND GRIPPER — ORDER SEPARATELY (INCH)

PART NO. BODY WITHOUT GRIPPER	PART NO. — ROUND GRIPPER							A DIA	B DIA	C	D	E	F DIA	H	J	SERRATIONS
	HARDENED TOOL STEEL (SERRATED)	CARBIDE TIPPED (SERRATED)	SOLID CARBIDE (SERRATED)	ABRASIVE DIAMOND	BONDED URETHANE	CARBIDE TIPPED (FLAT)	STEEL, SS, OR DELRIN® (FLAT)									
CL-6-GSP	CL-6-RG	CL-6-RGT	—	CL-6-RGD	CL-6-RGU-1 CL-6-RGU-2 CL-6-RGU-3	CL-6-RGFT	CL-6-RGF CL-6-RGF-S CL-6-RGFN	3/8	5/8	7/8	1/4-28	.24	1/2	3/4	1	XFine .094x90°
CL-8-GSP	CL-8-RG	CL-8-RGT	CL-8-RGC	CL-8-RGD	CL-8-RGU-1 CL-8-RGU-2 CL-8-RGU-3	CL-8-RGFT	CL-8-RGF CL-8-RGF-S CL-8-RGFN	1/2	13/16	1	5/16-24	.35	5/8	7/8	1-1/8	Fine .125x90°
CL-10-GSP	CL-10-RG	CL-10-RGT	CL-10-RGC	CL-10-RGD	CL-10-RGU-1 CL-10-RGU-2 CL-10-RGU-3	CL-10-RGFT	CL-10-RGF CL-10-RGF-S CL-10-RGFN	5/8	15/16	1	3/8-24	.28	3/4	7/8	1-1/8	
CL-12-GSP	CL-12-RG	CL-12-RGT	CL-12-RGC	CL-12-RGD	CL-12-RGU-1 CL-12-RGU-2 CL-12-RGU-3	CL-12-RGFT	CL-12-RGF CL-12-RGF-S CL-12-RGFN	3/4	1-1/8	1-1/16	1/2-20	.25	7/8	15/16	1-3/16	
CL-16-GSP	CL-16-RG	CL-16-RGT	—	CL-16-RGD	CL-16-RGU-1 CL-16-RGU-2 CL-16-RGU-3	CL-16-RGFT	CL-16-RGF CL-16-RGF-S CL-16-RGFN	1	1-1/2	1-3/8		.44	1-1/8	1-1/4	1-1/2	

BODY AND GRIPPER — ORDER SEPARATELY (METRIC)

CLM-10-GSP	CLM-10-RG	CLM-10-RGT	—	CLM-10-RGD	CLM-10-RGU-1 CLM-10-RGU-2 CLM-10-RGU-3	—	CLM-10-RGF CLM-10-RGF-S CLM-10-RGFN	10mm	.67	.866	M6	.29	.512	.71	.95	XFine .094x90°
CLM-12-GSP	CLM-12-RG	CLM-12-RGT	—	CLM-12-RGD	CLM-12-RGU-1 CLM-12-RGU-2 CLM-12-RGU-3	—	CLM-12-RGF CLM-12-RGF-S CLM-12-RGFN	12mm	.75	.945	M8	.33	.591	.79	1.02	Fine .125x90°
CLM-16-GSP	CLM-16-RG	CLM-16-RGT	—	CLM-16-RGD	CLM-16-RGU-1 CLM-16-RGU-2 CLM-16-RGU-3	—	CLM-16-RGF CLM-16-RGF-S CLM-16-RGFN	16mm	.94	1.102	M10	.35	.787	.95	1.18	
CLM-20-GSP	CLM-20-RG	CLM-20-RGT	—	CLM-20-RGD	CLM-20-RGU-1 CLM-20-RGU-2 CLM-20-RGU-3	—	CLM-20-RGF CLM-20-RGF-S CLM-20-RGFN	20mm	1.18	1.181	M12	.33	.906	1.02	1.26	
CLM-25-GSP	CLM-25-RG	CLM-25-RGT	—	CLM-25-RGD	CLM-25-RGU-1 CLM-25-RGU-2 CLM-25-RGU-3	—	CLM-25-RGF CLM-25-RGF-S CLM-25-RGFN	25mm	1.42	1.417	M12	.47	1.102	1.26	1.50	

GRIPPER SWIVEL PADS

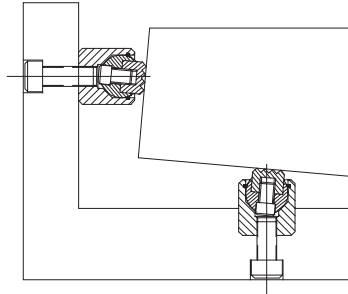
BODY: STEEL, CARBURIZED-HARDENED, BLACK OXIDE FINISH

O-RING: RUBBER

SERRATED SWIVEL BALL: HIGH-SPEED TOOL STEEL, BLACK OXIDE FINISH

FLAT SWIVEL BALL: STEEL, HARDENED, BLACK OXIDE FINISH

FLAT DELRIN® SWIVEL BALL: WHITE DELRIN® 500



Gripper Swivel Pads can be surface mounted or installed in a counterbored hole.



**Hardened
Tool Steel
(Serrated)**



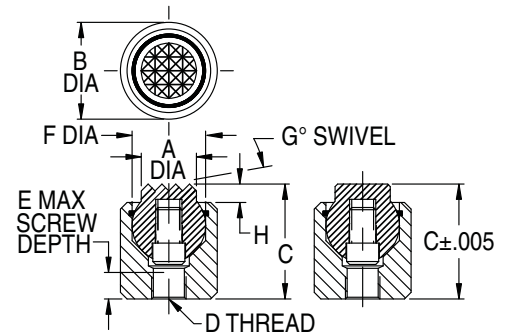
**Hardened
Steel
(Flat)**



**Delrin®
(Flat)**

Mini sizes

Mini-size rest pad with a built-in swivel ball held by a retaining ring. Choose from the three gripper types shown, serrated or flat. The gripper face is machined directly on the swivel ball. A positive stop prevents the ball from swiveling too far. Gripper Swivel Pads can be surface mounted or installed in a counterbored hole. Available in the following body diameters from 3/8 to 5/8" (10 to 17mm in metric).



MINI — COMPLETE ASSEMBLY (INCH)

PART NO. — COMPLETE			A DIA	B DIA	C	D	E	F BALL DIA	G	H	SERRATIONS	
HARDENED TOOL STEEL (SERRATED)	HARDENED STEEL (FLAT)	DELRIN® (FLAT)									Super Fine	Extra Fine
CL-3-GSPS	CL-3-GSPF	CL-3-GSPN	5/32	3/8	3/8	#4-40	1/4	3/16	14°	.062	Super Fine	.062x90°
CL-4-GSPS	CL-4-GSPF	CL-4-GSPN	1/4	7/16	7/16	#8-32	5/32	9/32	14°	.062	Extra Fine	.094x90°
CL-5-GSPS	CL-5-GSPF	CL-5-GSPN	5/16	1/2	9/16	#10-32	5/32	3/8	14°	.062	Extra Fine	.094x90°
CL-6-GSPS	CL-6-GSPF	CL-6-GSPN	3/8	5/8	15/16	1/4-28	1/4	1/2	17°	.125		

MINI — COMPLETE ASSEMBLY (METRIC)

CLM-6-GSPS	CLM-6-GSPF	CLM-6-GSPN	.24	.39	.472	M4	.14	.276	14°	.059	SFine	.062x90°
CLM-8-GSPS	CLM-8-GSPF	CLM-8-GSPN	.33	.51	.630	M5	.25	.394	12°	.059	Extra Fine	.094x90°
CLM-10-GSPS	CLM-10-GSPF	CLM-10-GSPN	.39	.67	.768	M6	.27	.512	21°	.059		

GRIPPER SWIVEL SCREWS

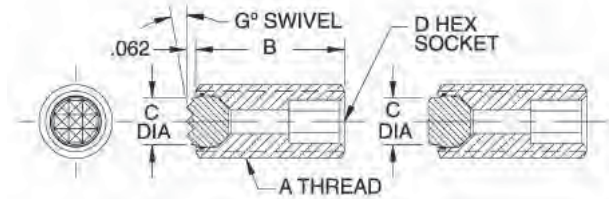
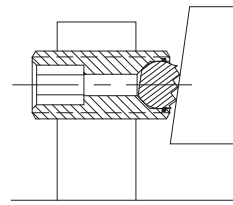
BODY: STEEL, CARBURIZED-HARDENED, BLACK OXIDE FINISH
 SWIVEL BALL: HIGH-SPEED TOOL STEEL



Hardened Tool Steel (Serrated)



Hardened Tool Steel (Flat)



5

Screw clamp with a hardened tool steel swivel ball, either serrated or flat. A positive stop prevents the ball from swiveling too far. Serrated grippers are designed to slightly penetrate the workpiece to significantly increase gripping force, rather than relying on static friction alone. Available in thread sizes from 3/8-16 to 5/8-11 (M10 to M16 in metric) each in a choice of several lengths.

COMPLETE ASSEMBLY (INCH)

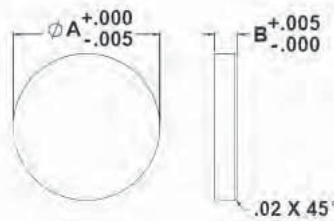
PART NO. — COMPLETE		A	B	C DIA	D	G	SERRATIONS		
HARDENED TOOL STEEL (SERRATED)	HARDENED TOOL STEEL (FLAT)						Super Fine		
CL-605-GSS	CL-605-GSF	3/8-16	1/2	5/32	3/16	14°	Super Fine	.062x90°	
CL-610-GSS	CL-610-GSF		1						
CL-620-GSS	CL-620-GSF		2						
CL-810-GSS	CL-810-GSF	1/2-13	1	1/4	1/4		14°	Super Fine	.062x90°
CL-820-GSS	CL-820-GSF		2						
CL-830-GSS	CL-830-GSF		3						
CL-1010-GSS	CL-1010-GSF	5/8-11	1	5/16	5/16	14°		Extra Fine	.094x90°
CL-1020-GSS	CL-1020-GSF		2						
CL-1030-GSS	CL-1030-GSF		3						

COMPLETE ASSEMBLY (METRIC)

PART NO. — COMPLETE		A	B	C DIA	D	G	SERRATIONS	
HARDENED TOOL STEEL (SERRATED)	HARDENED TOOL STEEL (FLAT)						Super Fine	
CLM-1025-GSS	CLM-1025-GSF	M10	.98	.16	5mm	15°	Super Fine	.062x90°
CLM-1050-GSS	CLM-1050-GSF		1.97					
CLM-1225-GSS	CLM-1225-GSF	M12	.98	.24	6mm	14°	Super Fine	.062x90°
CLM-1250-GSS	CLM-1250-GSF		1.97					
CLM-1625-GSS	CLM-1625-GSF	M16	.98	.33	8mm	12°	Extra Fine	.094x90°
CLM-1650-GSS	CLM-1650-GSF		1.97					

ROUND CARBIDE PADS

SOLID CARBIDE



New Item!

These handy round pads are made from solid carbide for high wear resistance. Pads can be brazed or bonded to install. The bottom is slightly chamfered for clearance in a mounting bracket. Available in diameters from 1/4 to 1". Made in USA.

PART NO.	A	B
CL-4-RCP	1/4	1/8
CL-5-RCP	5/16	1/8
CL-6-RCP	3/8	1/8
CL-6.5-RCP	13/32	1/8
CL-8-RCP	1/2	1/8
CL-10-RCP	5/8	1/8
CL-12-RCP	3/4	1/8
CL-16-RCP	1	5/32

TYPES



REST BUTTONS

Precision height locator with a close-tolerance shank for installation in a reamed hole. Rest Buttons are extremely useful as supports, side locator pads, and jig feet. Available in steel or stainless steel.



SPHERICAL RADIUS LOCATOR BUTTONS

Precision height locator with a spherical-radius head to minimize workpiece contact area. Close-tolerance shank allows press-fit installation in a reamed hole.



JIG REST BUTTONS

Precision height locator with a counterbored hole for mounting with a Socket-Head Cap Screw (not furnished). Jig Rest Buttons are extremely useful as supports, side locator pads, and jig feet.



SCREW REST PADS

Precision height locator with a threaded shank for installation in a tapped hole. Cone shape provides a small contact area in combination with a large stable base. Screw Rest Pads are extremely useful as supports, side locator pads, and jig feet.



SCREW REST BUTTONS

Threaded rest button with a hex head machined .005 to .010" over nominal height for finish grinding after installation.



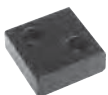
DRILL JIG FEET

Precision jig foot available in four heights. Dowel in place to prevent rotation.



DOUBLE-END JIG FEET

Tapped jig foot commonly used in pairs with a stud.



JIG LEG PLATES

Precision ground pad with a large contact area. Can be used either as a jig foot, or as a rest pad for heavy workpieces. Choice of three sizes.



HEAVY-DUTY REST PADS

Large, precision rest pad for heavy-duty applications. These hardened pads have a large, durable contact surface to support heavy workpieces, or to serve as wear plates. Choice of four sizes.

SEE ALSO:

HYDRAULIC WORK SUPPORTS:
p. 643-646



GRIPPERS & CONTACT BOLTS:
pp. 190-200

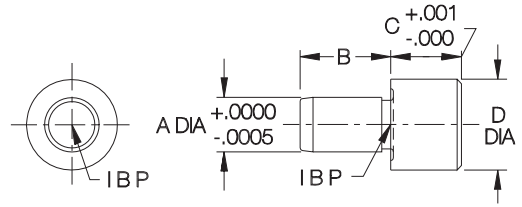


SCREW JACKS:
pp. 210-211

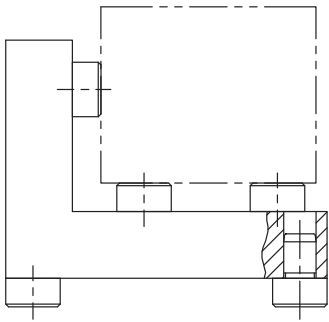


REST BUTTONS

STEEL: 1144, HEAT TREATED RC 40-45 BLACK OXIDE FINISH
 STAINLESS STEEL: 300-SERIES



Precision height locator with a close-tolerance shank for installation in a reamed hole. Rest Buttons are extremely useful as supports, side locator pads, and jig feet. Available in steel or stainless steel.



STEEL (INCH)

PART NO.	A DIA		B	C		D DIA
	NOMINAL	ACTUAL		NOMINAL	ACTUAL	
CL-12-RB				1/4	.2500	
CL-13-RB	3/16	.1885	3/8	3/8	.3750	3/8
CL-14-RB				1/2	.5000	
CL-2-RB				1/4	.2500	
CL-3-RB	1/4	.2510	1/2	3/8	.3750	1/2
CL-1-RB				1/2	.5000	
CL-5-RB				1/4	.2500	
CL-6-RB				3/8	.3750	
CL-4-RB	3/8	.3760	5/8	1/2	.5000	5/8
CL-7-RB				5/8	.6250	
CL-8-RB				3/4	.7500	
CL-15-RB				3/8	.3750	
CL-9-RB	1/2	.5010	5/8	1/2	.5000	7/8
CL-16-RB				5/8	.6250	
CL-17-RB				3/8	.3750	
CL-10-RB	5/8	.6260	3/4	1/2	.5000	1
CL-18-RB				3/4	.7500	
CL-19-RB	3/4	.7515	7/8	1/2	.5000	1-1/4
CL-11-RB				5/8	.6250	

STAINLESS STEEL (INCH)

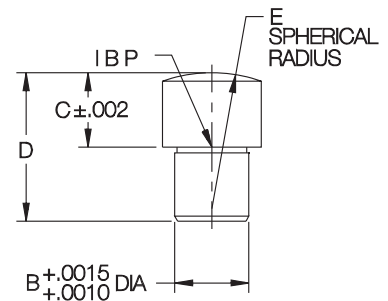
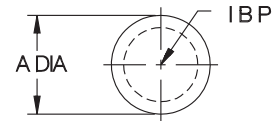
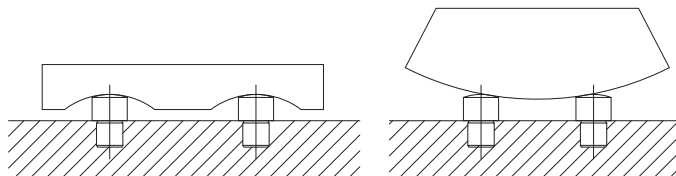
PART NO.	A DIA		B	C		D DIA
	NOMINAL	ACTUAL		NOMINAL	ACTUAL	
CL-26432				1/4	.2500	
CL-26433	3/16	.1885	1/4	3/8	.3750	3/8
CL-26434				1/2	.5000	
CL-26542	1/4	.2510	5/16	1/4	.2500	1/2
CL-26646	5/16	.3135	5/16	3/4	.7500	1/2

STEEL (METRIC)

PART NO.	A DIA	B	C		D DIA
			NOMINAL	ACTUAL	
CLM-605-RB	6mm	.2372	.31	5mm .1969 10mm .3937	.39
CLM-610-RB				5mm .1969	
CLM-805-RB				10mm .3937	
CLM-810-RB	8mm	.3160	.39	15mm .5906 20mm .7874	.63
CLM-815-RB				20mm .7874	
CLM-820-RB				10mm .3937	
CLM-1010-RB	10mm	.3947	.47	15mm .5906 20mm .7874	.79
CLM-1015-RB				15mm .5906	
CLM-1020-RB				20mm .7874	

SPHERICAL RADIUS LOCATOR BUTTONS

1144 STEEL, HEAT TREATED RC 40-45, BLACK OXIDE FINISH



Precision height locator with a spherical-radius head to minimize workpiece contact area. Close-tolerance shank allows press-fit installation in a reamed hole. Spherical-Radius Locator Buttons are extremely useful as supports, side locator pads, and jig feet.

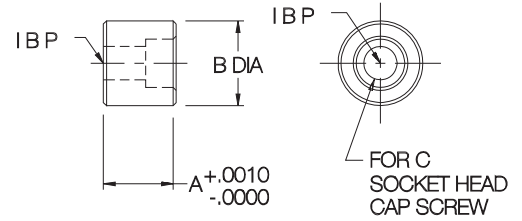
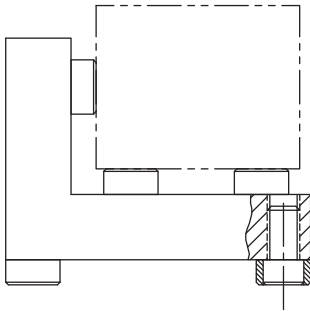
PART NO.	B DIA	A DIA	C	D	E
CL-1-SLB	3/16	5/16	.1250	3/8	1/2
CL-2-SLB	1/4	3/8	.1875	1/2	5/8
CL-3-SLB			.1875	9/16	
CL-4-SLB	3/8	1/2	.2500	5/8	3/4
CL-5-SLB			.3750	3/4	
CL-6-SLB			.5000	7/8	

JIG REST BUTTONS

12L14 STEEL, CARBURIZED-HARDENED, BLACK OXIDE FINISH



Precision height locator with a counterbored hole for mounting with a Socket-Head Cap Screw (not furnished). Jig Rest Buttons are extremely useful as supports, side locator pads, and jig feet.



INCH

PART NO.	B DIA	A		C
		NOMINAL	ACTUAL	
CL-24-JRB	1/2	1/8	.1250	#8 Flat Head*
CL-00-JRB		3/8	.3750	#10
CL-0-JRB		1/2	.5000	
CL-12-JRB	5/8	1/4	.2500	#10 Flat Head*
CL-13-JRB		3/8	.3750	1/4
CL-1-JRB		1/2	.5000	
CL-14-JRB		5/8	.6250	
CL-2-JRB		3/4	.7500	
CL-16-JRB	7/8	1	1.0000	5/16
CL-17-JRB		3/8	.3750	
CL-18-JRB		1/2	.5000	
CL-3-JRB		5/8	.6250	
CL-19-JRB		3/4	.7500	
CL-20-JRB	1-1/4	1	1.0000	3/8
CL-25-JRB		1/2	.5000	
CL-21-JRB		3/4	.7500	
CL-6-JRB		1	1.0000	
CL-7-JRB		1-1/2	1.5000	
CL-8-JRB	2	2.0000		

* Countersunk for flat-head screw these sizes only.

METRIC

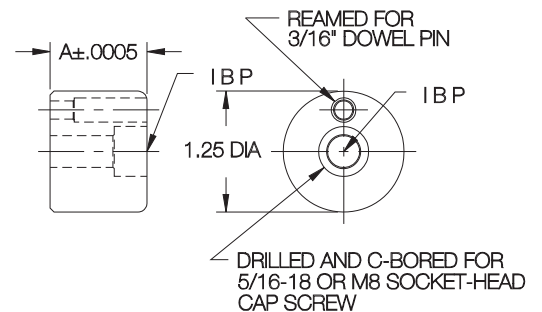
PART NO.	B DIA	A		C
		NOMINAL	ACTUAL	
CLM-1-JRB	.63	10mm	.3937	M5
CLM-2A-JRB		15mm	.5906	
CLM-4-JRB	.79	10mm	.3937	M6
CLM-6A-JRB		15mm	.5906	
CLM-7A-JRB		20mm	.7874	
CLM-8-JRB		25mm	.9843	
CLM-11A-JRB	.98	15mm	.5906	M8
CLM-12A-JRB		20mm	.7874	
CLM-13-JRB		25mm	.9843	
CLM-14A-JRB	1.26	20mm	.7874	M10
CLM-15-JRB		25mm	.9843	
CLM-16A-JRB		30mm	1.1811	
CLM-17A-JRB		50mm	1.9685	

DRILL JIG FEET

12L14 STEEL, CARBURIZED-HARDENED, BLACK OXIDE FINISH



Precision jig foot available in four heights. Dowel in place to prevent rotation.

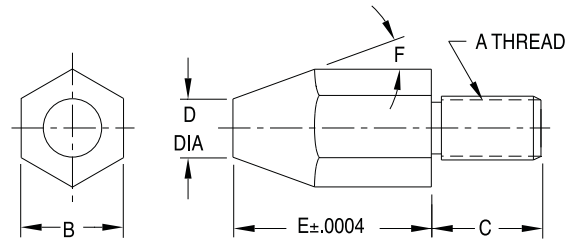
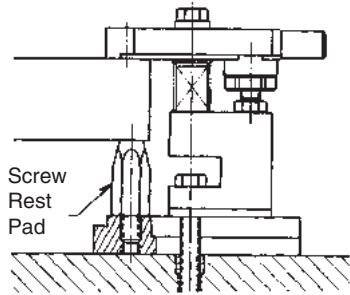


PART NO.	A
CL-1-DJF	.5000
CL-2-DJF	1.0000
CL-3-DJF	2.0000
CL-4-DJF	3.0000

SCREW REST PADS

12L14 STEEL, CARBURIZED-HARDENED, BLACK OXIDE FINISH

Precision height locator with a threaded shank for installation in a tapped hole. Cone shape provides a small contact area in combination with a large stable base. Screw Rest Pads are extremely useful as supports, side locator pads, and jig feet.



INCH

PART NO.	A	B	C	D DIA	E	F
CL-MF25-4801	5/16-18	3/4	5/8	5/16	.2500	75°
CL-MF25-4802					.3750	60°
CL-MF25-4803					.5000	35°
CL-MF25-4804					.7500	25°
CL-MF25-4805					1.0000	20°
CL-MF25-4806					1.2500	15°
CL-MF25-4807					1.5000	15°
CL-MF40-4801	1/2-13	7/8	15/16	1/2	.2500	75°
CL-MF40-4802					.3750	60°
CL-MF40-4803					.5000	35°
CL-MF40-4804					.7500	25°
CL-MF40-4805					1.0000	20°
CL-MF40-4806					1.2500	15°
CL-MF40-4807					1.5000	15°
CL-MF40-4808	2.0000	15°				
CL-MF50-4801	5/8-11	1	1-1/4	5/8	.2500	75°
CL-MF50-4802					.3750	60°
CL-MF50-4803					.5000	35°
CL-MF50-4804					.7500	25°
CL-MF50-4805					1.0000	20°
CL-MF50-4806					1.2500	15°
CL-MF50-4807					1.5000	15°
CL-MF50-4808	2.0000	15°				

METRIC

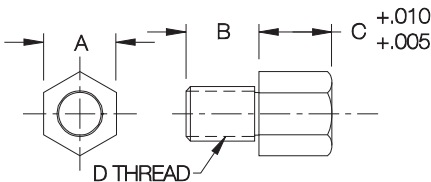
PART NO.	A	B	C	D DIA	E	F
CL-MF08-4801	M8	17mm	.63	.31	.1969 (5mm)	75°
CL-MF08-4802					.3937 (10mm)	60°
CL-MF08-4803					.5906 (15mm)	35°
CL-MF08-4804					.7874 (20mm)	25°
CL-MF08-4805					.9843 (25mm)	20°
CL-MF08-4806					1.1811 (30mm)	15°
CL-MF08-4808					1.5748 (40mm)	15°
CL-MF12-4801					M12	19mm
CL-MF12-4802	.3937 (10mm)	60°				
CL-MF12-4803	.5906 (15mm)	35°				
CL-MF12-4804	.7874 (20mm)	25°				
CL-MF12-4805	.9843 (25mm)	20°				
CL-MF12-4806	1.1811 (30mm)	15°				
CL-MF12-4808	1.5748 (40mm)	15°				
CL-MF12-4810	1.9685 (50mm)	15°				
CL-MF16-4802	M16	24mm	1.26	.63	.3937 (10mm)	60°
CL-MF16-4803					.5906 (15mm)	35°
CL-MF16-4804					.7874 (20mm)	25°
CL-MF16-4805					.9843 (25mm)	20°
CL-MF16-4806					1.1811 (30mm)	15°
CL-MF16-4808					1.5748 (40mm)	15°
CL-MF16-4810					1.9685 (50mm)	15°

SCREW REST BUTTONS

12L14 STEEL, CARBURIZED-HARDENED, BLACK OXIDE FINISH



Threaded rest button with a hex head machined .005 to .010" over nominal height for finish grinding after installation.



INCH

PART NO.	A	B	C		D
			NOMINAL	ACTUAL	
CL-1-SRB	3/8	3/8	1/4	.2500	1/4-20
CL-2-SRB			3/8	.3750	
CL-3-SRB			1/2	.5000	
CL-4-SRB			3/4	.7500	
CL-5-SRB			1	1.0000	
CL-6-SRB	1/2	1/2	1/4	.2500	3/8-16
CL-7-SRB			3/8	.3750	
CL-8-SRB			1/2	.5000	
CL-9-SRB			3/4	.7500	
CL-10-SRB			1	1.0000	
CL-11-SRB	5/8	5/8	1/4	.2500	1/2-13
CL-12-SRB			3/8	.3750	
CL-13-SRB			1/2	.5000	
CL-14-SRB			5/8	.6250	
CL-15-SRB			3/4	.7500	
CL-16-SRB			1	1.0000	

METRIC

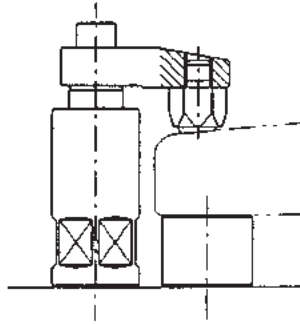
PART NO.	A	B	C		D
			NOMINAL	ACTUAL	
CLM-605-SRB	10mm	.39	5mm	.1969	M6
CLM-610-SRB			10mm	.3937	
CLM-615-SRB			15mm	.5906	
CLM-620-SRB			20mm	.7874	
CLM-625-SRB			25mm	.9843	
CLM-1005-SRB	13mm	.51	5mm	.1969	M10
CLM-1010-SRB			10mm	.3937	
CLM-1015-SRB			15mm	.5906	
CLM-1020-SRB			20mm	.7874	
CLM-1025-SRB			25mm	.9843	
CLM-1205-SRB	17mm	.63	5mm	.1969	M12
CLM-1210-SRB			10mm	.3937	
CLM-1215-SRB			15mm	.5906	
CLM-1220-SRB			20mm	.7874	
CLM-1225-SRB			25mm	.9843	

SWIVEL CONTACT BOLTS

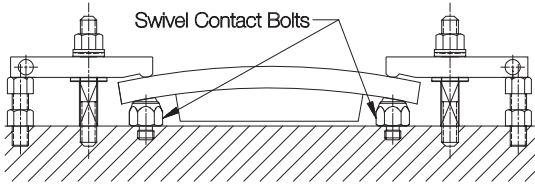
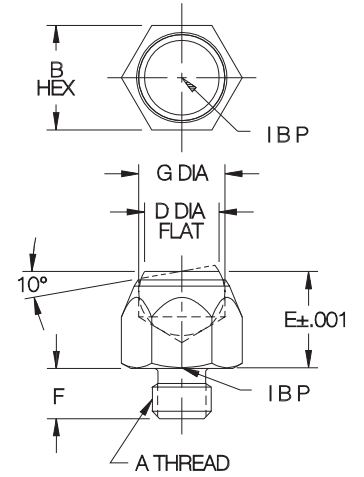
BALL: CHROME STEEL, HEAT TREATED RC 60-67
 BODY: 1144 STEEL, HEAT TREATED RC 35-40, BLACK OXIDE FINISH



Precision swivel ball that can be used as either a contact bolt or rest pad.



Swivel Contact Bolts are ideal for evenly distributing clamping pressure on sloped surfaces.



Swivel Contact Bolts are precision ground for accurate height location, even on sloped surfaces. INFO+: See pages 388-392 for Riser Blocks, Extension Supports, and Height Shims.

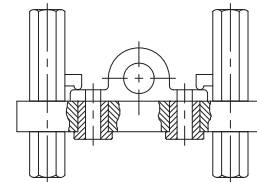
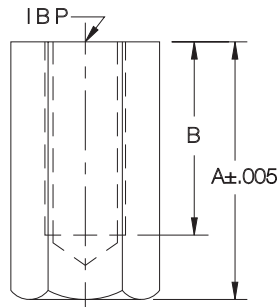
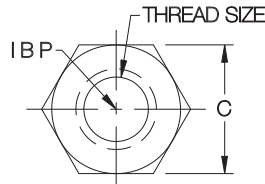
PART NO.	A	B	D DIA	E		F	G
				NOMINAL	ACTUAL		
CL-MF25-2502	5/16-18	9/16	13/32	1/2	.5000	.32	15/32
CL-MF30-2503	3/8-16	13/16	19/32	13/16	.8125	.47	23/32
CL-MF40-2501	1/2-13	7/8	5/8	13/16	.8125	.41	23/32
CL-MF50-2501	5/8-11	1-1/16	13/16	1	1.0000	.61	29/32

DOUBLE-END JIG FEET

12L14 STEEL, CARBURIZED-HARDENED, BLACK OXIDE FINISH



Tapped jig foot commonly used in pairs with a stud.



INCH

PART NO.	THREAD SIZE	A	B	C
CL-1-DEJF	5/8-11	1.000	5/8	1
CL-3-DEJF		1.500	1	
CL-5-DEJF		2.000	1-1/2	
CL-7-DEJF		3.000		
CL-9-DEJF		4.000		
CL-10-DEJF		6.000		
CL-11-DEJF		8.000		



When you have to hit it

DEAD-ON

with one single, powerful swing,
full force, no rebound?
There's only one you can
rely upon: your SUPERCRAFT.
Go on - try it for yourself!



Completely robot-welded, handle-protection sleeve, very safe handle-head-connection due to aluminum wedge and safety pin, robust powder coating, maximum solidity of the inserts made from special nylon with excellent impact quality and very high durability, handle and inserts are replaceable.

Completely robot-welded, robust powder coating, maximum solidity of the inserts made from special nylon with excellent impact quality and very high durability, inserts are replaceable.

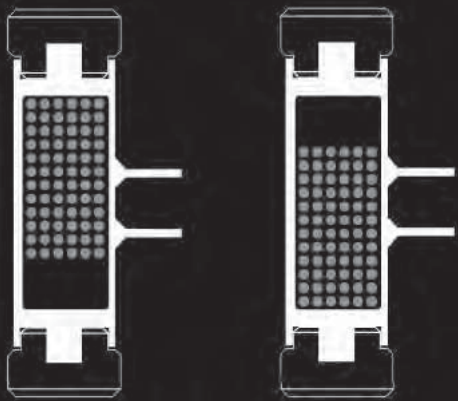


SUPERCRAFT No-Rebound Hammers available from

CarrLane

MANUFACTURING CO.

PACKED FULL OF POWER: THE SUPERCRAFT PRINCIPLE



1



2

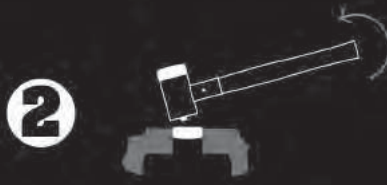


Non-rebound work

The head of the SUPERCRAFT mallet is filled with steel shot. This means that when the workpiece is impacted, the energy of the shot is transferred with a slight delay. The reduced rebound allows the impact energy to be absorbed, resulting in extremely powerful impact without vibration, which is much easier on your joints. Additionally, an advantage over steel mallets is the reduced noise level.



Firmly clamp the used insert in a vice and loosen with a lateral twisting movement.



When the insert is loosened, pull the mallet upwards.



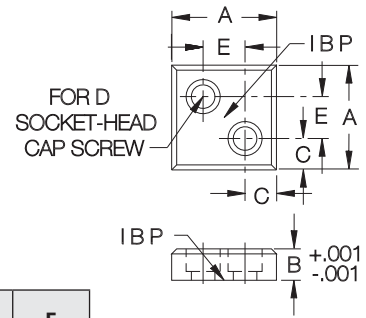
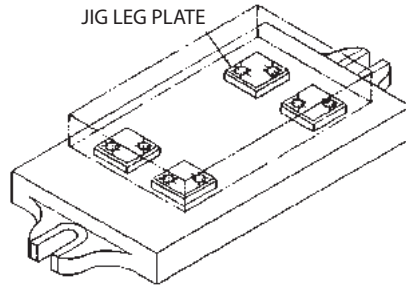
In the vise, press the new insert into the housing and insert retaining pins.

Check out pages 312-314 for the full line of No-Rebound Hammers
available from

CarrLane
MANUFACTURING CO.

JIG LEG PLATES

1020 STEEL, CARBURIZED-HARDENED, BLACK OXIDE FINISH



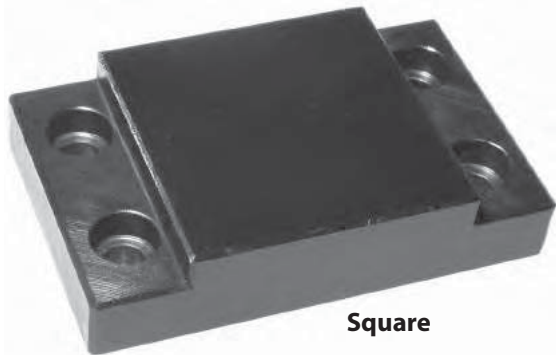
Precision ground pad with a large contact area. Can be used either as a jig foot, or as a rest pad for heavy workpieces. Choice of three sizes.

PART NO.	A	B	C	D	E
CL-1-JLP	1	.3125	5/16	#10-32 OR M5	3/8
CL-2-JLP	1-1/4	.3750	3/8	1/4-20 OR M6	1/2
CL-3-JLP	1-1/2	.4375	7/16		5/8

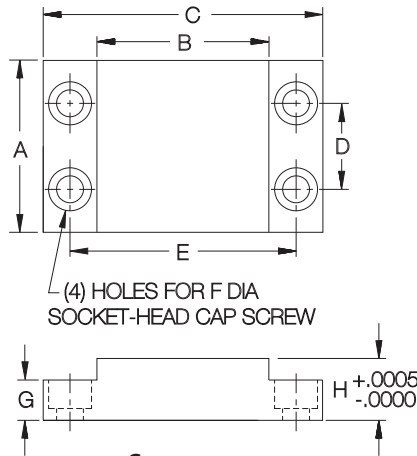
5

HEAVY-DUTY REST PADS

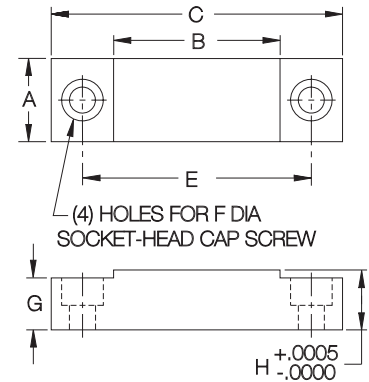
1018 STEEL, CARBURIZED-HARDENED, BLACK OXIDE FINISH



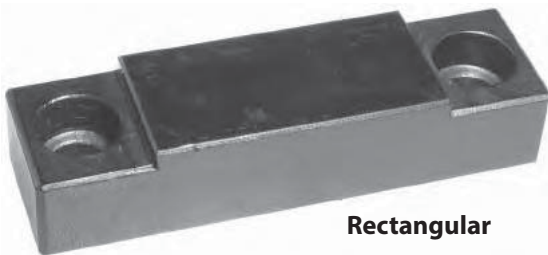
Square



Square



Rectangular



Rectangular

Large, precision rest pad for heavy-duty applications. These hardened pads have a large, durable contact surface to support heavy workpieces, or to serve as wear plates. Choice of four sizes.

SQUARE

PART NO.	A	B	C	D	E	F	G	H
CL-1-HDRP	2	2	3-1/4	1	2-1/2	1/4-20 OR M6	1/2	.7500

RECTANGULAR

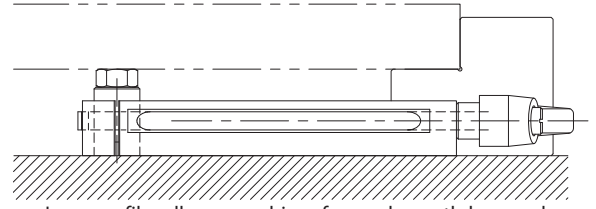
CL-2-HDRP	1	2	3-1/2	—	2-3/4	5/16-18 OR M8	5/8	.7500
CL-3-HDRP		3	4-1/2		3-3/4			
CL-4-HDRP		4	5-1/2		4-3/4			

MANUAL WORK SUPPORTS

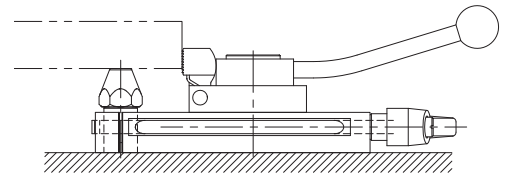
BODY & PLUNGER: CARBON STEEL, CASE HARDENED, BLACK OXIDE FINISH
HANDLE: ZINC DIE CASTING, ENAMEL PAINT



Spring-extended work support with an extremely low profile. Ideal for supporting in hard-to-reach places, because the handle can be positioned for convenient access. Turning the handle counterclockwise unlocks the plunger, allowing the plunger to float. Turning the handle clockwise locks the plunger. If desired, the plunger can be locked in retracted position before loading, for easier loading of light parts. The zinc die-cast Adjustable Handle can be reset to any angle for best leverage.



Low profile allows reaching far underneath low work-pieces.



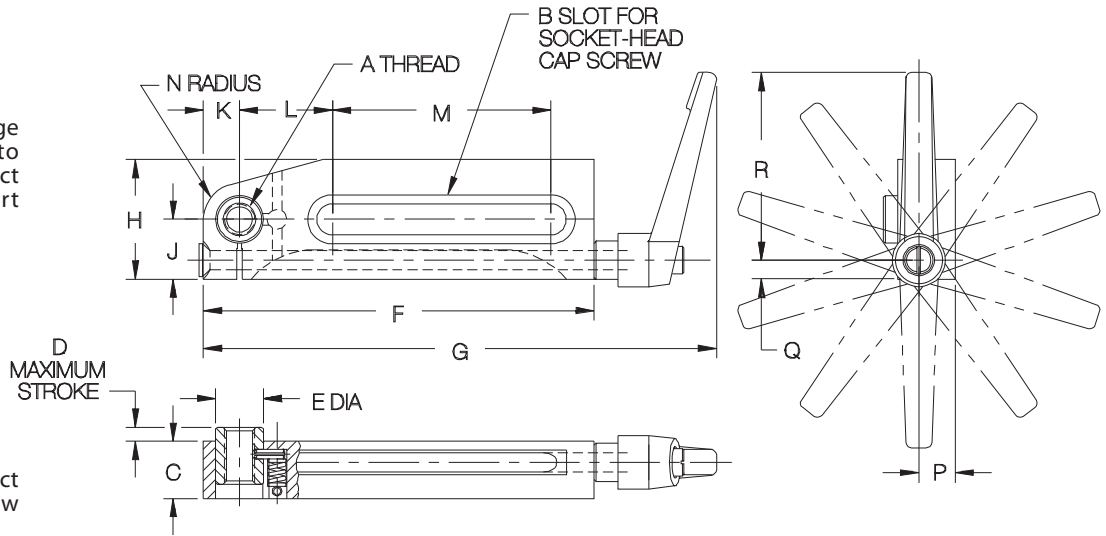
Mounting slot allows stacking other components, such as this Cam Edge Clamp, on top of the support.



Screw Rest Pads (INFO+ page 204), available from 1/4" to 2" tall, are ideal fixed contact bolts to use in the support plunger.



INFO+: For adjustable contact screws, see Knurled Screw Jacks (page 210).



INCH

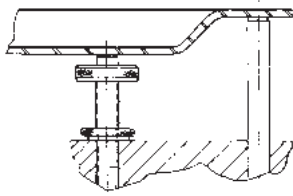
PART NO.	A	B	C	D	E DIA	F	G	H	J	K	L	M	N	P	Q	R	LOAD CAPACITY (LBS)
CL-MF25-5701	5/16-18	5/16-18 or M8	.708	.118	.591	3-3/8	5-1/16	1-3/16	25/32	13/32	1-1/16	1-13/32	13/32	.433	9/32	2-9/16	110
CL-MF40-5701	1/2-13	1/2-13 or M12	.945	.236	.787	6-1/2	8-9/16	2	1	19/32	1-17/32	3-9/16	19/32	.551	5/16	3-1/8	550
CL-MF50-5701	5/8-11	5/8-11 or M16	1.339	.433	1.102	7-1/2	10-7/16	2-3/8	1-9/16	13/16	1-3/4	4-1/16	13/16	.846	1/2	4-5/16	1100

METRIC

CL-MF08-5701	M8	5/16-18 or M8	.708	.118	.591	3-3/8	5-1/16	1-3/16	25/32	13/32	1-1/16	1-13/32	13/32	.433	9/32	2-9/16	110
CL-MF12-5701	M12	1/2-13 or M12	.945	.236	.787	6-1/2	8-9/16	2	1	19/32	1-17/32	3-9/16	19/32	.551	5/16	3-1/8	550
CL-MF16-5701	M16	5/8-11 or M16	1.339	.433	1.102	7-1/2	10-7/16	2-3/8	1-9/16	13/16	1-3/4	4-1/16	13/16	.846	1/2	4-5/16	1100

KNURLED SCREW JACKS

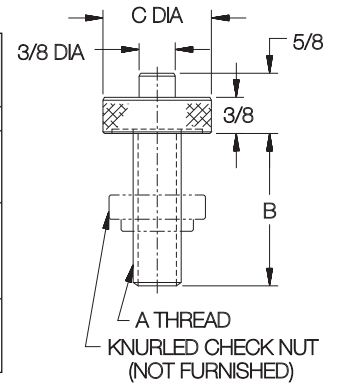
12L14 STEEL, CARBURIZED-HARDENED, BLACK OXIDE FINISH



Knurled head allows quick, easy, finger adjustment. **INFO+:** Order Knurled Check Nut separately (page 282).

INCH

PART NO.	A	B	C DIA	KNURLED CHECK NUT (NOT FURNISHED)
CL-0-KSJ	5/16-18	1-5/8	7/8	CL-51618-TSJN
CL-1-KSJ	3/8-16	1-1/4	1-1/8	CL-3816-TSJN
CL-2-KSJ		1-5/8		
CL-3-KSJ		2		
CL-4-KSJ	1/2-13	1-1/4	1-1/8	CL-1213-TSJN
CL-5-KSJ		1-5/8		
CL-6-KSJ		2		
CL-7-KSJ		2-1/2		
CL-8-KSJ	5/8-11	1-5/8	1-3/8	CL-5811-TSJN
CL-9-KSJ		2		
CL-10-KSJ		2-1/2		

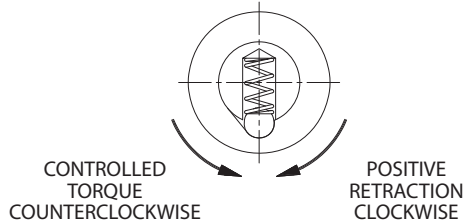


TORQUE SCREW JACKS

5 12L14 STEEL, BLACK OXIDE FINISH

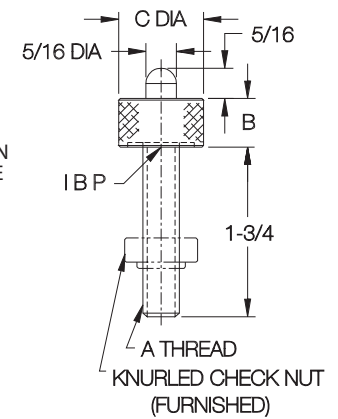


When indicated end force is reached, the knurled head disengages, eliminating the possibility of exerting excessive pressure on thinwall pieces. Furnished with Knurled Check Nut (**INFO+:** see page 282 for dimensions).



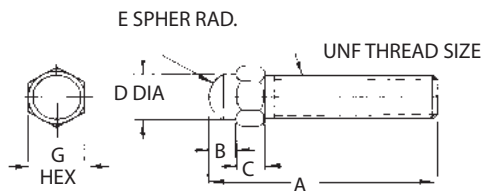
INCH

PART NO.	A	END FORCE (LBS)	B	C DIA	KNURLED CHECK NUT (FURNISHED)
CL-4-TSJ	1/4-20	12-14	7/16	7/8	CL-1420-TSJN
CL-4A-TSJ	5/16-18	14-16			CL-51618-TSJN
CL-5-TSJ	3/8-16	16-18	1/2	1-1/8	CL-3816-TSJN
CL-6-TSJ	1/2-13	18-20			CL-1213-TSJN
CL-8-TSJ	5/8-11	20-22			CL-5811-TSJN



ADJUSTABLE LOCATING BUTTONS

12L14 STEEL, CARBURIZED-HARDENED, BLACK OXIDE FINISH



A support screw with fine threads for precise adjustment. (Metric threads and CL-LB-2A are coarse).

INCH

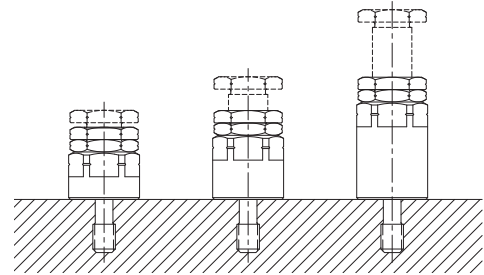
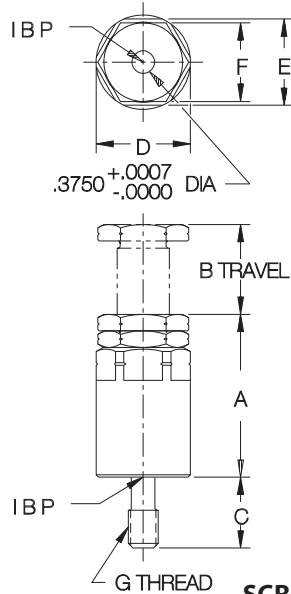
PART NO.	THREAD SIZE	A	B	C	D DIA	E	G
CL-LB-1	#10-32	1	1/8	1/8	3/16	1/8	1/4
CL-LB-2	1/4-28	1-1/2	3/16	3/16	1/4	3/16	3/8
CL-LB-2A	1/4-20						
CL-LB-7	5/16-24	1-3/4	1/4	1/4	5/16	3/16	7/16
CL-LB-3	3/8-24	2			3/8	1/4	1/2
CL-LB-4	1/2-20	2-1/2	5/16	5/16	1/2	5/16	5/8
CL-LB-5	5/8-18	3	3/8	3/8	5/8	3/8	3/4
CL-LB-6	3/4-16	3-1/2	7/16	7/16	3/4	7/16	7/8

METRIC

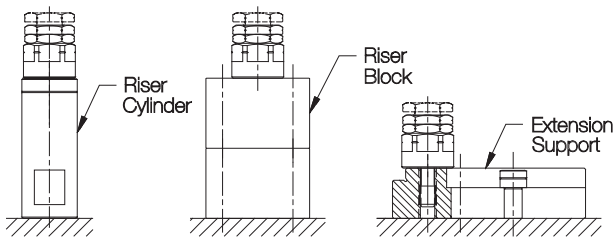
CLM-5-LB	M5	.98	.12	.12	.20	.20	8mm
CLM-6-LB	M6	1.57	.20	.20	.24	.20	10mm
CLM-8-LB	M8	1.77	.24	.24	.31	.20	13mm
CLM-10-LB	M10	1.97			.39	.24	17mm
CLM-12-LB	M12	2.56	.31	.31	.47	.31	19mm
CLM-16-LB	M16	2.95	.39	.39	.63	.39	24mm

HEAVY-DUTY SCREW JACKS

JACK SCREW: 4135 STEEL, HEAT TREATED, BLACK OXIDE FINISH
 TIP: 1144 OR 1045 STEEL, HEAT TREATED, BLACK OXIDE FINISH
 BODY: 1045 STEEL, BLACK OXIDE FINISH



Heavy-duty adjustable support that accepts any of the three tips shown below. Choice of three heights in each size cover the full range of height possibilities.



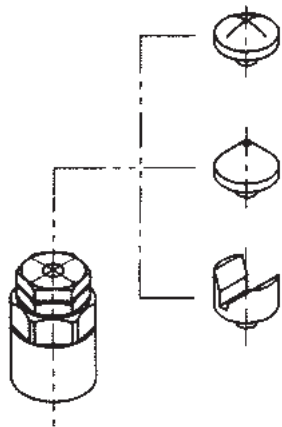
INFO+: For additional height and/or mounting flexibility, use Riser Cylinders (page 419), Support Riser Blocks (page 416), or Extension Supports (page 417).

SCREW JACKS (INCH)

PART NO.	MOUNTING SCREW SIZE	A	B	C	D DIA	E	F	G
CL-MF40-3401	1/2-13	1-5/8	3/8	1-1/4	1-9/16	1-7/16	1-5/16	1/2-13
CL-MF40-3402		2	3/4					
CL-MF40-3403		2-3/4	1-1/2					
CL-MF50-3401	5/8-11	1-5/8	3/8	1-3/8	1-9/16	1-7/16	1-5/16	5/8-11
CL-MF50-3402		2	3/4					
CL-MF50-3403		2-3/4	1-1/2					

SCREW JACKS (METRIC)

PART NO.	MOUNTING SCREW SIZE	A	B	C	D DIA	E	F	G
CL-MF12-3401	M12	1-5/8	3/8	1-1/4	1-9/16	1-7/16	1-5/16	M12
CL-MF12-3402		2	3/4					
CL-MF12-3403		2-3/4	1-1/2					
CL-MF16-3401	M16	1-5/8	3/8	1-3/8	1-9/16	1-7/16	1-5/16	M16
CL-MF16-3402		2	3/4					
CL-MF16-3403		2-3/4	1-1/2					



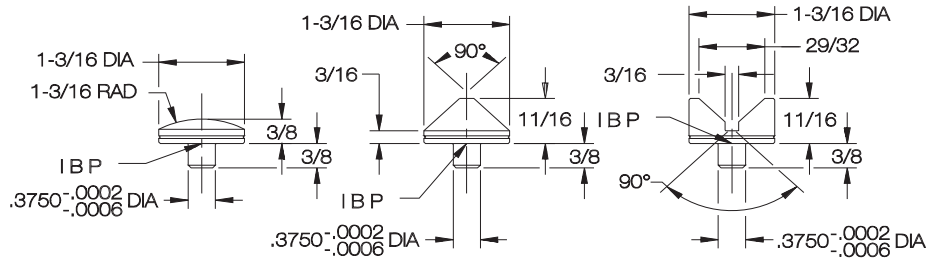
Radius Tip



Conical Tip



V-Shaped Tip

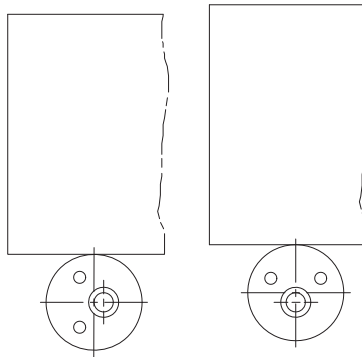


SCREW-JACK TIPS

PART NO.	TYPE	FITS SCREW JACKS
CL-MF10-3501	RADIUS	ALL SIZES
CL-MF10-3502	CONICAL	
CL-MF10-3503	V-SHAPED	

ECCENTRIC LEVELING LUGS

12L14 STEEL, CARBURIZED-HARDENED, BLACK OXIDE FINISH



Precision side locator that can be doweled in place after adjustment. Use for vertical leveling or horizontal locating. Available hardened, or soft to allow drilling and reaming after installation.

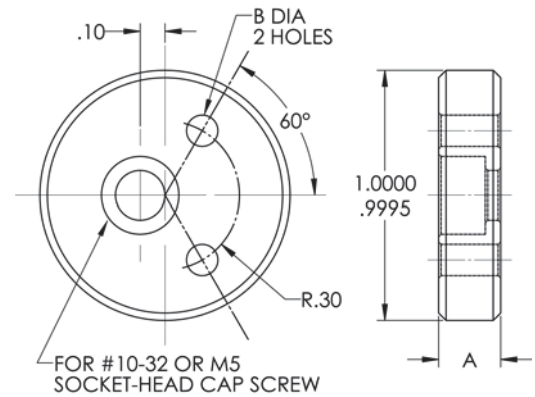
5

HARDENED

PART NO.	A	B DIA
CL-3-ELL	1/4	1/8 REAMED
CL-4-ELL	3/8	1/8 REAMED

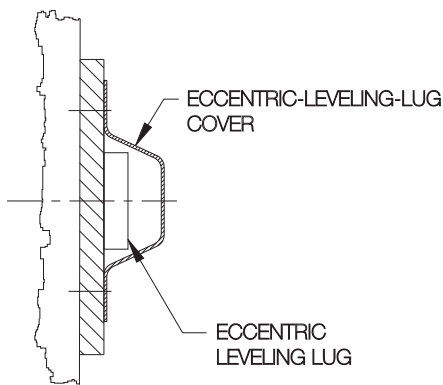
SOFT

CL-1-ELL	1/4	#31
CL-2-ELL	3/8	#31



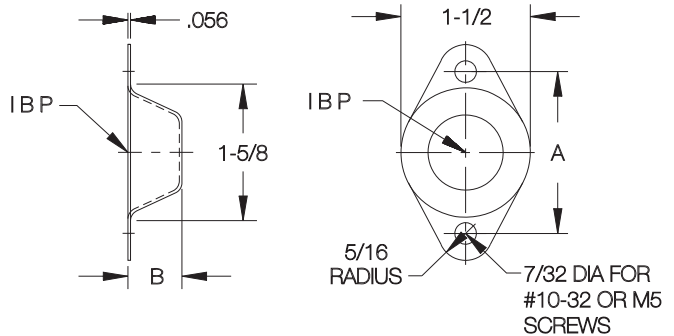
ECCENTRIC-LEVELING-LUG COVERS

MILD STEEL, BLACK OXIDE FINISH



Sturdy cover that protects an Eccentric Leveling Lug from damage or misadjustment after setting.

PART NO.	A	B
CL-1-COVER	1-7/8	5/8



LOCATORS



Locating Pins



Construction Balls



Fixture Keys

CarrLock[®] **SYSTEM**



**Same great
product, but
with these
advantages:**

- Exclusively made in the USA
- Complete interchangeability with all components of the Ball Lock[®] Mounting System
- Now lower price!
- Available from stock

CarrLane[®]

M A N U F A C T U R I N G C O .

www.carrlane.com/carrlock

Ball Lock[®] is a registered trademark of Jergens, Inc.

LOCATING PINS

TYPES



ROUND & DIAMOND PINS

Precision locating pins with a chamfered tip for easy part loading, and a shoulder to resist downward forces. Round Pins and Diamond Pins are frequently used together to locate from two holes in a workpiece, or align two pieces of a fixture, without binding.



ROUND & DIAMOND LOCATING PINS

Functionally similar to Round and Diamond Pins, except with a wider selection of head diameters (including any custom diameter from .1150" to 1.0400") and a large shoulder to resist downward forces. Frequently used together to locate from two holes in a workpiece without binding.



FLOATING LOCATING PINS

These locating pins slide in a slotted bushing to provide precise location in one axis while allowing considerable float in the perpendicular axis. Functionally similar to Diamond Pins, except that they allow greater variation in hole spacing.



BULLET-NOSE DOWELS

Precision locating pin often used with a mating bushing to align two pieces of a fixture.



BULLET-NOSE PINS

Bullet-nose round pins and diamond pins are often used together, each with a mating bushing, to align two pieces of a fixture. The pin's shank diameter and the bushing's OD are the same size, to allow boring the installation hole in both fixture pieces at the same time, for greater accuracy.

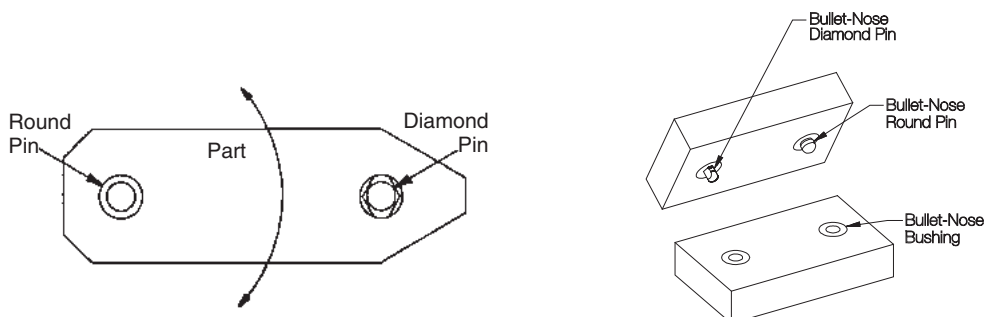


CONE-LOCATOR PINS

Medium-accuracy tapered locating pin used with a mating tapered bushing. Can be used for quick assembly of two fixture pieces.

TECHNICAL INFORMATION

Round Pins and Diamond Pins are frequently used together. Diamond Pins are relieved to locate only radially around the Round Pin, avoiding redundant location. This prevents binding while loading and unloading the part, yet still maintains high accuracy. The Round Pin serves as the primary, 2-axis locator, while the Diamond Pin is the secondary, 1-axis locator.



ROUND & DIAMOND PINS

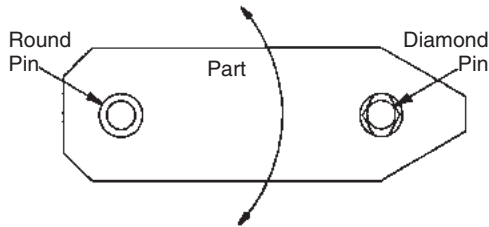
1144 STEEL, HEAT TREATED RC 50-55 BLACK OXIDE FINISH



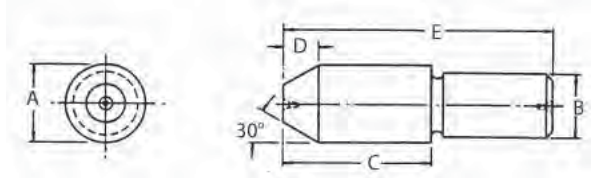
Round Pin



Diamond Pin



These precision locating pins have a chamfered tip for easy part loading, and a shoulder to resist downward forces - important advantages over standard dowel pins. One Round Pin and one Diamond Pin are often used together to locate from two machined holes in a workpiece, or to align two pieces of a fixture, without binding. Diamond Pins are relieved, to locate in only 1 axis. Round Pins are also extremely useful as side locators. Head and shank diameters are concentric to within .0005" TIR. Available with head diameters from 1/4 to 1" (6 to 20mm in metric).



ROUND PINS (INCH)

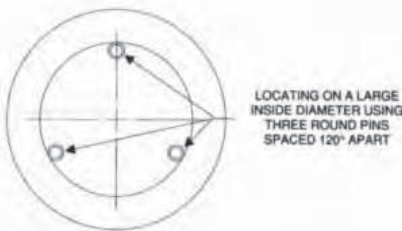
PART NO.	A HEAD DIA		B SHANK DIA		C	D	E
	NOMINAL	ACTUAL	NOMINAL	ACTUAL			
CL-1-RP	1/4	.2495/.2492	3/16	.1878/.1876	11/32	3/32	3/4
CL-2-RP	5/16	.3120/.3117	1/4	.2503/.2501	13/32		7/8
CL-3-RP	3/8	.3745/.3742	5/16	.3128/.3126	1/2	1/8	1
CL-4-RP	7/16	.4370/.4367	3/8	.3753/.3751	19/32	5/32	1-1/4
CL-5-RP	1/2	.4995/.4992	7/16	.4378/.4376	21/32		1-3/8
CL-6-RP	9/16	.5620/.5617	1/2	.5003/.5001	3/4	3/16	1-1/2
CL-7-RP	5/8	.6240/.6237	9/16	.5628/.5626	27/32	7/32	1-3/4
CL-8-RP	11/16	.6865/.6862	5/8	.6253/.6251	29/32		2
CL-9-RP	3/4	.7490/.7487	11/16	.6885/.6880	1	1/4	2-1/8
CL-10-RP	13/16	.8115/.8112	3/4	.7510/.7505	1-3/32	9/32	2-1/4
CL-11-RP	7/8	.8740/.8737	13/16	.8135/.8130	1-5/32		2-1/2
CL-12-RP	15/16	.9365/.9362	7/8	.8760/.8755	1-1/4	5/16	2-3/4
CL-13-RP	1	.9985/.9980	15/16	.9385/.9380	1-5/16		2-7/8

ROUND PINS (METRIC)

CLM-60-RP	6mm	.2357/.2354	5mm	.1972/.1970	11/32	3/32	3/4
CLM-80-RP	8mm	.3145/.3142	6mm	.2365/.2363	13/32		7/8
CLM-100-RP	10mm	.3932/.3929	8mm	.3153/.3151	1/2	1/8	1
CLM-120-RP	12mm	.4719/.4716	10mm	.3940/.3938	21/32	5/32	1-3/8
CLM-140-RP	14mm	.5507/.5504	12mm	.4727/.4725	3/4	3/16	1-1/2
CLM-160-RP	16mm	.6289/.6286	14mm	.5515/.5513	27/32	7/32	1-3/4
CLM-180-RP	18mm	.7077/.7074	16mm	.6302/.6300	29/32		2
CLM-200-RP	20mm	.7864/.7861	18mm	.7097/.7092	1-3/32	9/32	2-1/4

Now also available with LIFE-EX™ coating!

Many sizes of Round & Diamond Pins are now available with our proprietary LIFE-EX coating. This PVD coating is very hard, abrasion resistant, and slippery, resulting in a component that has a longer lifecycle for high-production applications. This extended lifecycle allows these items to remain in production longer with less need for replacement than standard uncoated items.



A series of locating pins can be used to locate a large diameter, instead of making a custom locating plug. In this example, three Round Pins are positioned 120° apart around the internal diameter of a large bored hole.

LIFE-EX™ ROUND PINS (INCH)

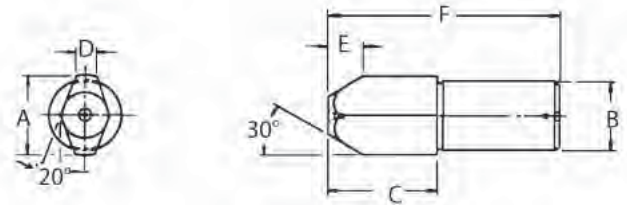
PART NO.	A HEAD DIA		B SHANK DIA		C	D	E
	NOMINAL	ACTUAL	NOMINAL	ACTUAL			
CL-2-RP-LX	5/16	.3120/.3117	1/4	.2503/.2501	13/32	3/32	7/8
CL-3-RP-LX	3/8	.3745/.3742	5/16	.3128/.3126	1/2	1/8	1
CL-5-RP-LX	1/2	.4995/.4992	7/16	.4378/.4376	21/32	5/32	1-3/8

LIFE-EX™ ROUND PINS (METRIC)

CLM-80-RP-LX	8mm	.3145/.3142	6mm	.2365/.2363	13/32	3/32	7/8
CLM-100-RP-LX	10mm	.3932/.3929	8mm	.3153/.3151	1/2	1/8	1
CLM-120-RP-LX	12mm	.4719/.4716	10mm	.3940/.3938	21/32	5/32	1-3/8

ROUND & DIAMOND PINS

1144 STEEL, HEAT TREATED RC 50-55 BLACK OXIDE FINISH



DIAMOND PINS (INCH)

PART NO.			A HEAD DIA				B SHANK DIA		C	D	E	F
X (Tight)	Y (Medium)	Z (Loose)	NOMINAL	X	Y	Z	NOMINAL	ACTUAL				
CL-1-DPX	CL-1-DPY	CL-1-DPZ	1/4	.2493/.2490	.2485/.2482	.2470/.2467	3/16	.1878/.1876	11/32	.062	3/32	3/4
CL-2-DPX	CL-2-DPY	CL-2-DPZ	5/16	.3118/.3115	.3110/.3107	.3095/.3092	1/4	.2503/.2501	13/32	.078	3/32	7/8
CL-3-DPX	CL-3-DPY	CL-3-DPZ	3/8	.3743/.3740	.3735/.3732	.3720/.3717	5/16	.3128/.3126	1/2	.093	1/8	1
CL-4-DPX	CL-4-DPY	CL-4-DPZ	7/16	.4368/.4365	.4360/.4357	.4345/.4342	3/8	.3753/.3751	19/32	.109	5/32	1-1/4
CL-5-DPX	CL-5-DPY	CL-5-DPZ	1/2	.4993/.4990	.4985/.4982	.4970/.4967	7/16	.4378/.4376	21/32	.125	5/32	1-3/8
CL-6-DPX	CL-6-DPY	CL-6-DPZ	9/16	.5615/.5610	.5595/.5590	.5575/.5570	1/2	.5003/.5001	3/4	.140	3/16	1-1/2
CL-7-DPX	CL-7-DPY	CL-7-DPZ	5/8	.6240/.6235	.6220/.6215	.6200/.6195	9/16	.5628/.5626	27/32	.156	7/32	1-3/4
CL-8-DPX	CL-8-DPY	CL-8-DPZ	11/16	.6865/.6860	.6845/.6840	.6825/.6820	5/8	.6253/.6251	29/32	.172		2
CL-9-DPX	CL-9-DPY	CL-9-DPZ	3/4	.7490/.7485	.7470/.7465	.7450/.7445	11/16	.6885/.6880	1	.187	1/4	2-1/8
CL-10-DPX	CL-10-DPY	CL-10-DPZ	13/16	.8115/.8110	.8095/.8090	.8075/.8070	3/4	.7510/.7505	1-3/32	.203	9/32	2-1/4
CL-11-DPX	CL-11-DPY	CL-11-DPZ	7/8	.8740/.8735	.8720/.8715	.8700/.8695	13/16	.8135/.8130	1-5/32	.219		2-1/2
CL-12-DPX	CL-12-DPY	CL-12-DPZ	15/16	.9365/.9360	.9345/.9340	.9325/.9320	7/8	.8760/.8755	1-1/4	.234	5/16	2-3/4
CL-13-DPX	CL-13-DPY	CL-13-DPZ	1	.9980/.9972	.9960/.9952	.9920/.9912	15/16	.9385/.9380	1-5/16	.250		2-7/8

DIAMOND PINS (METRIC)

CLM-60-DPX	CLM-60-DPY	CLM-60-DPZ	6mm	.2357/.2354	.2347/.2344	.2332/.2329	5mm	.1972/.1970	11/32	.062	3/32	3/4
CLM-80-DPX	CLM-80-DPY	CLM-80-DPZ	8mm	.3145/.3142	.3135/.3132	.3120/.3117	6mm	.2365/.2363	13/32	.078		7/8
CLM-100-DPX	CLM-100-DPY	CLM-100-DPZ	10mm	.3932/.3929	.3922/.3919	.3907/.3904	8mm	.3153/.3151	1/2	.093	1/8	1
CLM-120-DPX	CLM-120-DPY	CLM-120-DPZ	12mm	.4719/.4716	.4709/.4706	.4694/.4691	10mm	.3940/.3938	21/32	.125	5/32	1-3/8
CLM-140-DPX	CLM-140-DPY	CLM-140-DPZ	14mm	.5507/.5504	.5482/.5477	.5462/.5457	12mm	.4727/.4725	3/4	.140	3/16	1-1/2
CLM-160-DPX	CLM-160-DPY	CLM-160-DPZ	16mm	.6289/.6286	.6269/.6264	.6249/.6244	14mm	.5515/.5513	27/32	.156	7/32	1-3/4
CLM-180-DPX	CLM-180-DPY	CLM-180-DPZ	18mm	.7077/.7074	.7057/.7052	.7037/.7032	16mm	.6302/.6300	29/32	.172		2
CLM-200-DPX	CLM-200-DPY	CLM-200-DPZ	20mm	.7864/.7861	.7844/.7839	.7824/.7819	18mm	.7097/.7092	1-3/32	.203	9/32	2-1/4

Now also available with LIFE-EX™ coating!

Many sizes of Round & Diamond Pins are now available with our proprietary LIFE-EX coating. This PVD coating is very hard, abrasion resistant, and slippery, resulting in a component that has a longer lifecycle for high-production applications. This extended lifecycle allows these items to remain in production longer with less need for replacement than standard uncoated items.

LIFE-EX™ DIAMOND PINS (INCH)

PART NO.			A HEAD DIA				B SHANK DIA		C	D	E	F
X (Tight)	Y (Medium)	Z (Loose)	NOMINAL	X	Y	Z	NOMINAL	ACTUAL				
CL-2-DPX-LX	CL-2-DPY-LX	CL-2-DPZ-LX	5/16	.3118/.3115	.3110/.3107	.3095/.3092	1/4	.2503/.2501	13/32	.078	3/32	7/8
CL-3-DPX-LX	CL-3-DPY-LX	CL-3-DPZ-LX	3/8	.3743/.3740	.3735/.3732	.3720/.3717	5/16	.3128/.3126	1/2	.093	1/8	1
CL-5-DPX-LX	CL-5-DPY-LX	CL-5-DPZ-LX	1/2	.4993/.4990	.4985/.4982	.4970/.4967	7/16	.4378/.4376	21/32	.125	5/32	1-3/8

LIFE-EX™ DIAMOND PINS (METRIC)

CLM-60-DPX-LX	—	—	6mm	.2357/.2354	.2347/.2344	.2332/.2329	5mm	.1972/.1970	11/32	.062	3/32	3/4
CLM-80-DPX-LX	—	—	8mm	.3145/.3142	.3135/.3132	.3120/.3117	6mm	.2365/.2363	13/32	.078		7/8
CLM-100-DPX-LX	—	—	10mm	.3932/.3929	.3922/.3919	.3907/.3904	8mm	.3153/.3151	1/2	.093	1/8	1

ROUND & DIAMOND LOCATING PINS

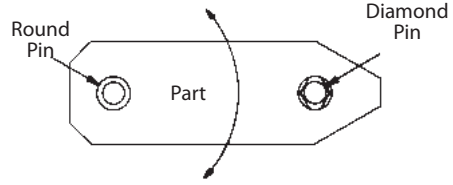
1144 STEEL, HEAT TREATED RC 50-55, BLACK OXIDE FINISH



**Press-Fit Type
Round Pin**

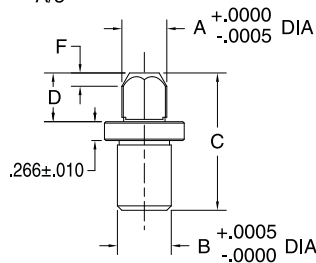
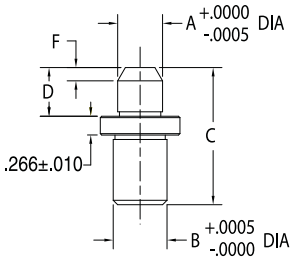
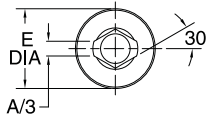
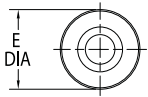


**Press-Fit Type
Diamond Pin**



These precision locating pins are especially useful for workpiece location because of the wide selection of head diameters available to fit machined holes in the part. In addition to standard diameters, these pins are also quickly made to order in any special head diameter from .1150" to 1.0400" in .0001" increments. One Round Locating Pin and one Diamond Locating Pin is relieved to locate in only 1 axis. The type shown here, with a press-fit shank, is designed for permanent installation.

Round & Diamond Locating Pins are available in four standard shank diameters, each with a range of standard head diameters in 1/32" increments (2mm increments in metric), each available in either standard or undersize fit. Head and shank diameters are concentric to within .0005" TIR. Made in USA.



Special Head Diameters

Special head diameters (A dimensions) are readily available in any of the four standard shank diameters:

- 5 = 5/16" shank (.1150-.3180 head dia)
- 8 = 1/2" shank (.2780-.5040 head dia)
- 12 = 3/4" shank (.4640-.7540 head dia)
- 16 = 1" shank (.7140-1.0040 head dia)

Example: For a press-fit round pin with a 1/2-inch shank and A=.4000 inches, order CL-8-RPT-.4000.

PRESS-FIT TYPE (INCH)

ROUND PIN PART NO.	DIAMOND PIN PART NO.	B SHANK DIA	A HEAD DIA		C	D	E DIA	F	G	
			NOMINAL	ACTUAL						
CL-123-RPT	CL-123-DPT	5/16	1/8	.1235	1-3/16	7/16	5/8	3/32	33/64	
CL-124-RPT	CL-124-DPT			.1245						
CL-154-RPT	CL-154-DPT			5/32						.1548
CL-155-RPT	CL-155-DPT									.1558
CL-186-RPT	CL-186-DPT									3/16
CL-187-RPT	CL-187-DPT			.1870						
CL-217-RPT	CL-217-DPT		7/32	.2173						
CL-218-RPT	CL-218-DPT			.2183						
CL-248-RPT	CL-248-DPT		1/4	.2485						
CL-249-RPT	CL-249-DPT			.2495						
CL-279-RPT	CL-279-DPT			9/32						.2798
CL-280-RPT	CL-280-DPT		.2808							
CL-311-RPT	CL-311-DPT	5/16	.3110							
CL-312-RPT	CL-312-DPT		.3120							
CL-310-RPT	CL-310-DPT		1/2	5/16	.3105	1-1/2	1/2	7/8	1/8	41/64
CL-3115-RPT	CL-3115-DPT	.3115								
CL-341-RPT	CL-341-DPT	11/32			.3418					
CL-342-RPT	CL-342-DPT				.3428					
CL-373-RPT	CL-373-DPT				3/8					
CL-374-RPT	CL-374-DPT	.3740								
CL-404-RPT	CL-404-DPT	13/32		.4043						
CL-405-RPT	CL-405-DPT			.4053						
CL-435-RPT	CL-435-DPT			7/16	.4355					
CL-436-RPT	CL-436-DPT	.4365								
CL-466-RPT	CL-466-DPT	15/32			.4668					
CL-467-RPT	CL-467-DPT			.4678						
CL-498-RPT	CL-498-DPT		1/2	.4980						
CL-499-RPT	CL-499-DPT	.4990								

CONTINUED ON NEXT PAGE

ROUND & DIAMOND LOCATING PINS

ROUND PIN PART NO.	DIAMOND PIN PART NO.	B SHANK DIA	A HEAD DIA		C	D	E DIA	F	G
			NOMINAL	ACTUAL					

CONTINUED FROM PREVIOUS PAGE

CL-4980-RPT	CL-4980-DPT	5/16	1/2	.4980	1-15/16	11/16	1-1/8	3/16	49/64
CL-4990-RPT	CL-4990-DPT			.4990					
CL-529-RPT	CL-529-DPT		17/32	.5293					
CL-530-RPT	CL-530-DPT			.5303					
CL-560-RPT	CL-560-DPT		9/16	.5605					
CL-561-RPT	CL-561-DPT			.5615					
CL-591-RPT	CL-591-DPT		19/32	.5918					
CL-592-RPT	CL-592-DPT			.5928					
CL-623-RPT	CL-623-DPT		5/8	.6230					
CL-624-RPT	CL-624-DPT			.6240					
CL-654-RPT	CL-654-DPT		21/32	.6543					
CL-655-RPT	CL-655-DPT			.6553					
CL-685-RPT	CL-685-DPT		11/16	.6855					
CL-686-RPT	CL-686-DPT			.6865					
CL-716-RPT	CL-716-DPT		23/32	.7168					
CL-717-RPT	CL-717-DPT			.7178					
CL-748-RPT	CL-748-DPT		3/4	.7480					
CL-749-RPT	CL-749-DPT			.7490					
CL-7480-RPT	CL-7480-DPT	1/2	3/4	.7480	2-5/8	1	1-1/2	9/32	61/64
CL-7490-RPT	CL-7490-DPT			.7490					
CL-779-RPT	CL-779-DPT		25/32	.7793					
CL-780-RPT	CL-780-DPT			.7803					
CL-810-RPT	CL-810-DPT		13/16	.8105					
CL-811-RPT	CL-811-DPT			.8115					
CL-841-RPT	CL-841-DPT		27/32	.8418					
CL-842-RPT	CL-842-DPT			.8428					
CL-873-RPT	CL-873-DPT		7/8	.8730					
CL-874-RPT	CL-874-DPT			.8740					
CL-904-RPT	CL-904-DPT		29/32	.9043					
CL-905-RPT	CL-905-DPT			.9053					
CL-935-RPT	CL-935-DPT		15/16	.9355					
CL-936-RPT	CL-936-DPT			.9365					
CL-966-RPT	CL-966-DPT		31/32	.9668					
CL-967-RPT	CL-967-DPT			.9678					
CL-998-RPT	CL-998-DPT		1	.9980					
CL-999-RPT	CL-999-DPT			.9990					

PRESS-FIT TYPE (METRIC)

ROUND PIN PART NO.	DIAMOND PIN PART NO.	B SHANK DIA	A HEAD DIA		C	D	E DIA	F	G
			NOMINAL	ACTUAL					
CL-5-RPT-.2347	CL-5-DPT-.2347	5/16	6mm	.2347	1-3/16	7/16	5/8	3/32	33/64
CL-5-RPT-.2357	CL-5-DPT-.2357			.2357					
CL-8-RPT-.3130	CL-8-DPT-.3130	1/2	8mm	.3130	1-1/2	1/2	7/8	11/82	41/64
CL-8-RPT-.3140	CL-8-DPT-.3140			.3140					
CL-8-RPT-.3917	CL-8-DPT-.3917		10mm	.3917					
CL-8-RPT-.3927	CL-8-DPT-.3927			.3927					
CL-8-RPT-.4704	CL-8-DPT-.4704	12mm	.4704	1-15/16	11/16	1-1/8	3/16	49/64	
CL-8-RPT-.4714	CL-8-DPT-.4714		.4714						
CL-12-RPT-.5492	CL-12-DPT-.5492	14mm	.5492						
CL-12-RPT-.5502	CL-12-DPT-.5502		.5502						
CL-12-RPT-.6279	CL-12-DPT-.6279	16mm	.6279	2-5/8	1	1-1/2	9/32	61/64	
CL-12-RPT-.6289	CL-12-DPT-.6289		.6289						
CL-12-RPT-.7067	CL-12-DPT-.7067	18mm	.7067						
CL-12-RPT-.7077	CL-12-DPT-.7077		.7077						
CL-16-RPT-.7854	CL-16-DPT-.7854	1	20mm	.7854	2-5/8	1	1-1/2	9/32	61/64
CL-16-RPT-.7864	CL-16-DPT-.7864			.7864					

ROUND & DIAMOND LOCATING PINS

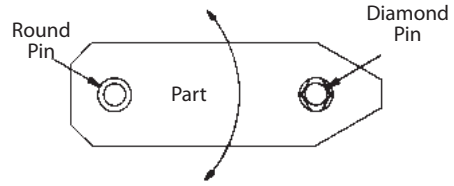
1144 STEEL, HEAT TREATED RC 50-55, BLACK OXIDE FINISH



**Lockscrew-Type
Round Pin**

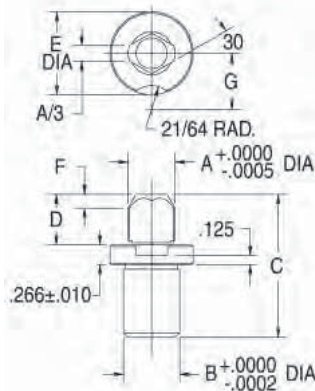
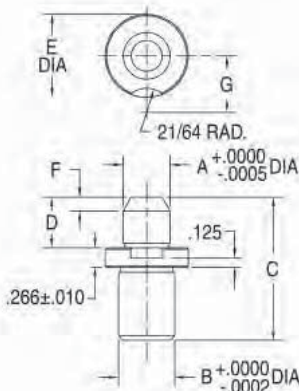


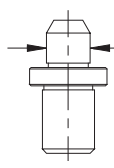
**Lockscrew-Type
Diamond Pin**



These precision locating pins are especially useful for workpiece location because of the wide selection of head diameters available to fit machined holes in the part. In addition to standard diameters, these pins are also quickly made to order in any special head diameter from .1150" to 1.0400" in .0001" increments. One Round Locating Pin and one Diamond Locating Pin is relieved to locate in only 1 axis. The type shown here, with a slip-fit shank and lockscrew slot, is designed for renewable installation.

Round & Diamond Locating Pins are available in four standard shank diameters, each with a range of standard head diameters in 1/32" increments (2mm increments in metric), each available in either standard or undersize fit. Head and shank diameters are concentric to within .0005" TIR. Made in USA.





Special Head Diameters

Special head diameters (A dimensions) are readily available in any of the four standard shank diameters:

- 5 = 5/16" shank (.1150-.3180 head dia)
- 8 = 1/2" shank (.2780-.5040 head dia)
- 12 = 3/4" shank (.4640-.7540 head dia)
- 16 = 1" shank (.7140-1.0040 head dia)

Example: For a press-fit round pin with a 1/2-inch shank and A=.4000 inches, order CL-8-RLT-4000.

LOCKSCREW TYPE (INCH)

ROUND PIN PART NO.	DIAMOND PIN PART NO.	B SHANK DIA	A HEAD DIA		C	D	E DIA	F	G	LINER PART NO.	HEAD LINER PART NO.	LOCK-SCREW PART NO.
			NOMINAL	ACTUAL								
CL-123-RLT	CL-123-DLT	5/16	1/8	.1235	1-3/16	7/16	5/8	3/32	33/64	L-32-8	HL-32-8	LS-1
CL-124-RLT	CL-124-DLT			.1245								
CL-154-RLT	CL-154-DLT		5/32	.1548								
CL-155-RLT	CL-155-DLT			.1558								
CL-186-RLT	CL-186-DLT		3/16	.1860								
CL-187-RLT	CL-187-DLT			.1870								
CL-217-RLT	CL-217-DLT		7/32	.2173								
CL-218-RLT	CL-218-DLT			.2183								
CL-248-RLT	CL-248-DLT		1/4	.2485								
CL-249-RLT	CL-249-DLT			.2495								
CL-279-RLT	CL-279-DLT		9/32	.2798								
CL-280-RLT	CL-280-DLT			.2808								
CL-311-RLT	CL-311-DLT	5/16	.3110									
CL-312-RLT	CL-312-DLT		.3120									
CL-310-RLT	CL-310-DLT	1/2	5/16	.3105	1-1/2	1/2	7/8	1/8	41/64	L-48-12	HL-48-12	LS-1
CL-3115-RLT	CL-3115-DLT			.3115								
CL-341-RLT	CL-341-DLT		11/32	.3418								
CL-342-RLT	CL-342-DLT			.3428								
CL-373-RLT	CL-373-DLT		3/8	.3730								
CL-374-RLT	CL-374-DLT			.3740								
CL-404-RLT	CL-404-DLT		13/32	.4043								
CL-405-RLT	CL-405-DLT			.4053								
CL-435-RLT	CL-435-DLT		7/16	.4355								
CL-436-RLT	CL-436-DLT			.4365								
CL-466-RLT	CL-466-DLT		15/32	.4668								
CL-467-RLT	CL-467-DLT			.4678								
CL-498-RLT	CL-498-DLT	1/2	.4980									
CL-499-RLT	CL-499-DLT		.4990									

CONTINUED ON NEXT PAGE

ROUND & DIAMOND LOCATING PINS

ROUND PIN PART NO.	DIAMOND PIN PART NO.	B SHANK DIA	A HEAD DIA		C	D	E DIA	F	G	LINER PART NO.	HEAD LINER PART NO.	LOCK- SCREW PART NO.
			NOMINAL	ACTUAL								

CONTINUED FROM PREVIOUS PAGE

CL-4980-RLT	CL-4980-DLT	5/16	1/2	.4980	1-15/16	11/16	1-1/8	3/16	49/64	L-64-16	HL-64-16	LS-1
CL-4990-RLT	CL-4990-DLT			.4990								
CL-529-RLT	CL-529-DLT		17/32	.5293								
CL-530-RLT	CL-530-DLT			.5303								
CL-560-RLT	CL-560-DLT		9/16	.5605								
CL-561-RLT	CL-561-DLT			.5615								
CL-591-RLT	CL-591-DLT		19/32	.5918								
CL-592-RLT	CL-592-DLT			.5928								
CL-623-RLT	CL-623-DLT		5/8	.6230								
CL-624-RLT	CL-624-DLT			.6240								
CL-654-RLT	CL-654-DLT		21/32	.6543								
CL-655-RLT	CL-655-DLT			.6553								
CL-685-RLT	CL-685-DLT		11/16	.6855								
CL-686-RLT	CL-686-DLT			.6865								
CL-716-RLT	CL-716-DLT		23/32	.7168								
CL-717-RLT	CL-717-DLT			.7178								
CL-748-RLT	CL-748-DLT		3/4	.7480								
CL-749-RLT	CL-749-DLT	.7490										
CL-7480-RLT	CL-7480-DLT	1/2	3/4	.7480	2-5/8	1	1-1/2	9/32	61/64	L-88-22	HL-88-22	LS-1
CL-7490-RLT	CL-7490-DLT			.7490								
CL-779-RLT	CL-779-DLT		25/32	.7793								
CL-780-RLT	CL-780-DLT			.7803								
CL-810-RLT	CL-810-DLT		13/16	.8105								
CL-811-RLT	CL-811-DLT			.8115								
CL-841-RLT	CL-841-DLT		27/32	.8418								
CL-842-RLT	CL-842-DLT			.8428								
CL-873-RLT	CL-873-DLT		7/8	.8730								
CL-874-RLT	CL-874-DLT			.8740								
CL-904-RLT	CL-904-DLT		29/32	.9043								
CL-905-RLT	CL-905-DLT			.9053								
CL-935-RLT	CL-935-DLT		15/16	.9355								
CL-936-RLT	CL-936-DLT			.9365								
CL-966-RLT	CL-966-DLT		31/32	.9668								
CL-967-RLT	CL-967-DLT			.9678								
CL-998-RLT	CL-998-DLT		1	.9980								
CL-999-RLT	CL-999-DLT	.9990										

6

LOCKSCREW TYPE (METRIC)

ROUND PIN PART NO.	DIAMOND PIN PART NO.	B SHANK DIA	A HEAD DIA		C	D	E DIA	F	G	LINER PART NO.	HEAD LINER PART NO.	LOCK- SCREW PART NO.
			NOMINAL	ACTUAL								
CL-5-RLT-.2347	CL-5-DLT-.2347	5/16	6mm	.2347	1-3/16	7/16	5/8	3/32	33/64	L-32-8	HL-32-8	LS-1
CL-5-RLT-.2357	CL-5-DLT-.2357			.2357								
CL-8-RLT-.3130	CL-8-DLT-.3130	1/2	8mm	.3130	1-1/2	1/2	7/8	11/82	41/64	L-48-12	HL-48-12	
CL-8-RLT-.3140	CL-8-DLT-.3140			.3140								
CL-8-RLT-.3917	CL-8-DLT-.3917		.3917									
CL-8-RLT-.3927	CL-8-DLT-.3927		.3927									
CL-8-RLT-.4704	CL-8-DLT-.4704	3/4	12mm	.4704	1-15/16	11/16	1-1/8	3/16	49/64	L-64-164	HL-64-164	
CL-8-RLT-.4714	CL-8-DLT-.4714			.4714								
CL-12-RLT-.5492	CL-12-DLT-.5492		14mm	.5492								
CL-12-RLT-.5502	CL-12-DLT-.5502	.5502										
CL-12-RLT-.6279	CL-12-DLT-.6279	18mm	.6279	.6289	.7067	.7077						
CL-12-RLT-.6289	CL-12-DLT-.6289											
CL-12-RLT-.7067	CL-12-DLT-.7067											
CL-12-RLT-.7077	CL-12-DLT-.7077	1	20mm	.7854	2-5/8	1	1-1/2	9/32	61/64	L-88-22	HL-88-22	
CL-16-RLT-.7854	CL-16-DLT-.7854			.7864								
CL-16-RLT-.7864	CL-16-DLT-.7864											

Order liner bushing and lockscrews separately. See table above for proper sizes. (See drill-bushing catalog section for additional dimensions).



BULLET-NOSE PINS

1144 STEEL, HEAT TREATED RC 50-62, BLACK OXIDE FINISH



Bullet-Nose Round Pin



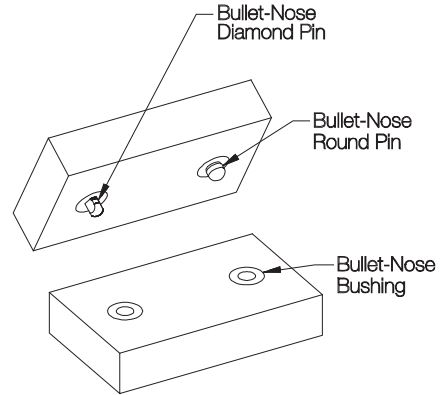
Bushing



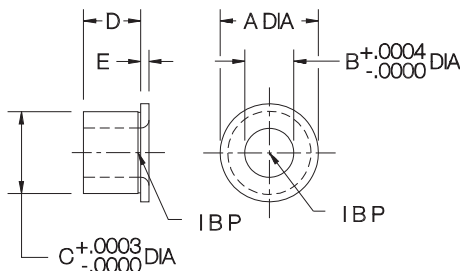
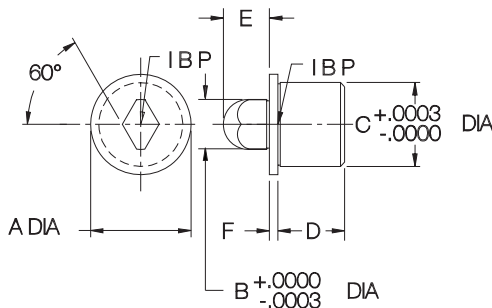
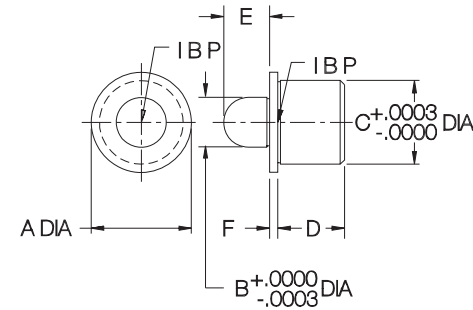
Bullet-Nose Diamond Pin

Bullet-Nose Round Pins and Diamond Pins are often used together (with matching bushings) to align two pieces of a fixture. The Diamond Pin is relieved, to locate only radially around the round pin, avoiding redundant location. This prevents binding, yet still maintains high accuracy.

The pin's shank diameter and the bushing's OD are the same size to allow boring the installation hole in both fixture pieces at the same time, for greater accuracy. The pin's head and shank diameters are concentric to within .0005 TIR. The bushing's ID and OD are concentric to within .0003 TIR.



6



ROUND PINS (INCH)

PART NO.	A DIA	B HEAD DIA		C SHANK DIA		D	E	F
		NOMINAL	ACTUAL	NOMINAL	ACTUAL			
CL-8-BND	9/16	1/4	.2499	13/32	.4075	3/8	7/32	1/16
CL-9-BND	5/8	5/16	.3124	1/2	.5014		9/32	
CL-10-BND	3/4	3/8	.3748	5/8	.6265	1/2	11/32	
CL-11-BND	7/8	1/2	.4998	3/4	.7515		13/32	
CL-12-BND	1-1/8	3/4	.7498	1	1.0015	3/4	9/16	1/8
CL-13-BND	1-1/2	1	.9998	1-3/8	1.3768		3/4	

ROUND PINS (METRIC)

CLM-6-BRP	.512	6mm	.2361	10mm	.3950	.35	.24	.079
CLM-8-BRP	.591	8mm	.3149	12mm	.4738		.28	
CLM-10-BRP	.709	10mm	.3935	15mm	.5921	.43	.35	
CLM-12-BRP	.866	12mm	.4722	18mm	.7102		.39	

DIAMOND PINS (INCH)

CL-8-BDP	9/16	1/4	.2499	13/32	.4075	3/8	7/32	1/16
CL-9-BDP	5/8	5/16	.3124	1/2	.5014		9/32	
CL-10-BDP	3/4	3/8	.3748	5/8	.6265	1/2	11/32	
CL-11-BDP	7/8	1/2	.4998	3/4	.7515		13/32	
CL-12-BDP	1-1/8	3/4	.7498	1	1.0015	3/4	9/16	1/8
CL-13-BDP	1-1/2	1	.9998	1-3/8	1.3768		3/4	

DIAMOND PINS (METRIC)

CLM-6-BDP	.512	6mm	.2361	10mm	.3950	.35	.24	.079
CLM-8-BDP	.591	8mm	.3149	12mm	.4738		.28	
CLM-10-BDP	.709	10mm	.3935	15mm	.5921	.43	.35	
CLM-12-BDP	.866	12mm	.4722	18mm	.7102		.39	

BUSHINGS (INCH)

PART NO.	A DIA	B DIA		C DIA		D	E
		NOMINAL	ACTUAL	NOMINAL	ACTUAL		
CLB-8000	9/16	1/4	.2501	13/32	.4075	7/16	1/16
CLB-9000	5/8	5/16	.3126	1/2	.5014		
CLB-10000	3/4	3/8	.3751	5/8	.6265		
CLB-11000	7/8	1/2	.5001	3/4	.7515	1/2	1/8
CLB-12000	1-1/8	3/4	.7502	1	1.0015		
CLB-13000	1-1/2	1	1.0002	1-3/8	1.3768	11/16	

BUSHINGS (METRIC)

CLM-6-B	.512	6mm	.2363	10mm	.3950	.31	.079
CLM-8-B	.591	8mm	.3151	12mm	.4738		
CLM-10-B	.709	10mm	.3938	15mm	.5921	.39	
CLM-12-B	.866	12mm	.4725	18mm	.7102		

BULLET-NOSE DOWELS

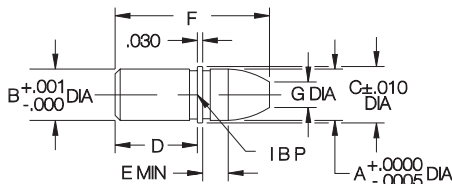
1144 STEEL, HEAT TREATED RC 50-62, BLACK OXIDE FINISH



Dowel Pin

Bushing

Precision locating pin often used with a matching bushing to align two pieces of a fixture. The pin's head and shank diameters are concentric to within .0005 TIR. The bushing's ID and OD are concentric to within .0003 TIR.



DOWEL PINS (INCH)

PART NO.	A HEAD DIA		B SHANK DIA		C DIA	D	E	F	G DIA
	NOMINAL	ACTUAL	NOMINAL	ACTUAL					
CL-1-BND	1/4	.2499	1/4	.2510	.280	1/2	.12	.90	1/8
CL-2-BND	5/16	.3124	5/16	.3135	.344		.15	.94	5/32
CL-3-BND	3/8	.3749	3/8	.3760	.407		.18	1.03	3/16
CL-4-BND	1/2	.4999	1/2	.5010	.532		.18	1.09	1/4

DOWEL PINS (METRIC)

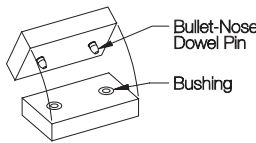
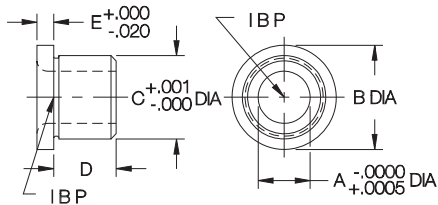
PART NO.	A DIA	B DIA	C DIA	D	E	F	G DIA		
								CLM-60-BND	6mm
CLM-80-BND	8mm	.3149	8mm	.3160	.354	.15	.91	.16	
CLM-100-BND	10mm	.3936	10mm	.3947	.433	.19	.98	.20	
CLM-120-BND	12mm	.4723	12mm	.4734	.512	.19	1.06	.24	

BUSHINGS (INCH)

PART NO.	A DIA		B DIA	C DIA		D	E
	NOMINAL	ACTUAL		NOMINAL	ACTUAL		
CLB-1000	1/4	.2501	.625	1/2	.5002	3/8	.100
CLB-2000	5/16	.3126	.750	5/8	.6253	1/2	
CLB-3000	3/8	.3751	.875	3/4	.7504	5/8	
CLB-4000	1/2	.5001	.875	3/4	.7504	5/8	

BUSHINGS (METRIC)

PART NO.	A DIA	B DIA	C DIA	D	E		
						CLM-60-B	6mm
CLM-80-B	8mm	.3151	.591	12mm	.4726	.276	
CLM-100-B	10mm	.3938	.709	15mm	.5909	.354	
CLM-120-B	12mm	.4725	.866	18mm	.7091	.472	



CONE LOCATOR PINS

12L14 STEEL, CARBURIZED-HARDENED, BLACK OXIDE FINISH



Pin

Bushing

Now also available in metric sizes!

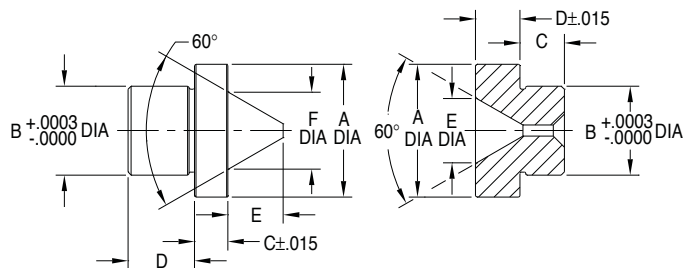
Medium-accuracy tapered locating pin used with the mating bushing. These pins can be used for quick assembly of two fixture pieces, because they compensate for considerable misalignment. The pin's shank diameter and the bushing's OD are exactly the same size, to allow boring the installation hole in both fixture pieces at the same time for greater accuracy.

PIN (INCH)

PART NO.	A DIA	B DIA		C	D	E	F DIA
		NOMINAL	ACTUAL				
CL-5-CLP	3/4	1/2	.5014	3/16	3/8	5/16	.438
CL-7-CLP	1	3/4	.7515	3/16	9/16	1/2	.676

PIN (METRIC)

PART NO.	A DIA	B DIA	C	D	E	F DIA	
CLM-5-CLP	3/4	12mm	.4738	3/16	3/8	5/16	.438
CLM-7-CLP	1	20mm	.7889	3/16	9/16	1/2	.676



BUSHING (INCH)

PART NO.	A DIA	B DIA		C	D	E	GAP BETWEEN PIN & BUSHING HEAD WHEN ASSEMBLED
		NOMINAL	ACTUAL				
CL-5-CLB	3/4	1/2	.5014	1/4	1/4	.370	.050-.068
CL-7-CLB	1	3/4	.7515	3/8	3/8	.616	.043-.061

BUSHING (METRIC)

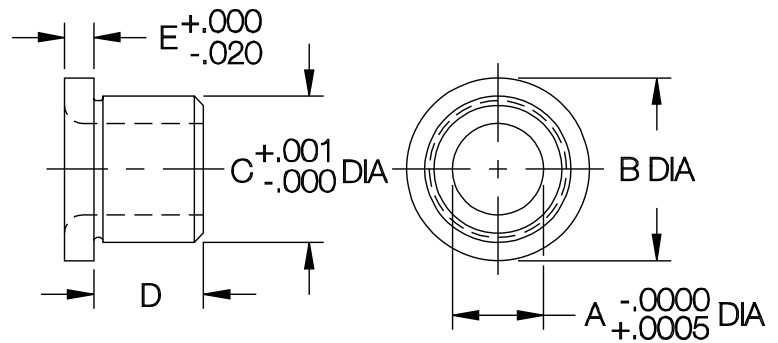
PART NO.	A DIA	B DIA	C	D	E	GAP BETWEEN PIN & BUSHING HEAD WHEN ASSEMBLED	
CLM-5-CLB	3/4	12mm	.4738	1/4	1/4	.370	.050-.068
CLM-7-CLB	1	20mm	.7889	3/8	3/8	.616	.043-.061

ON-SIZE™ BUSHINGS

INVAR 36® NICKEL-IRON ALLOY



**ON-SIZE™ Bushings
for Bullet-Nose Dowels
(Head Type)**



New Item!

ON-SIZE Bushings are made from Invar 36, a 36% nickel-iron alloy that has an extremely low Coefficient of Thermal Expansion. Invar material is particularly useful in applications where minimum thermal expansion and high dimensional stability is required. Useful in high temperature applications up to 750°F (400°C), these products will maintain their size and accuracy even under heat-cool multiple cycles.

The precision bushings shown here are used with Bullet-Nose Dowels to align two pieces of a fixture. The bushing's ID and OD are concentric to within .0003" TIR. Available for pin diameters 1/4, 5/16, 3/8, and 1/2" (6, 8, 10, and 12mm in metric).

HEAD TYPE (INCH)

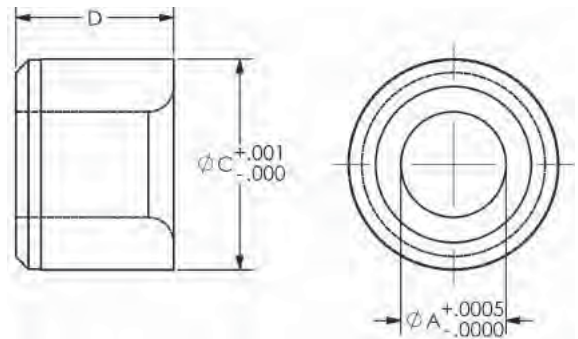
PART NO.	A DIA		B DIA	C DIA		D	E
	NOMINAL	ACTUAL		NOMINAL	ACTUAL		
CL-1000-BNV	1/4	.2501	.625	1/2	.5002	3/8	.100
CL-2000-BNV	5/16	.3126	.625	1/2	.5002	3/8	.100
CL-3000-BNV	3/8	.3751	.750	5/8	.6253	1/2	.100
CL-4000-BNV	1/2	.5001	.875	3/4	.7504	5/8	.100

HEAD TYPE (METRIC)

CLM-60-BNV	6mm	.2363	.512	10mm	.3939	.276	.118
CLM-80-BNV	8mm	.3151	.591	12mm	.4726	.276	.118
CLM-100-BNV	10mm	.3938	.709	15mm	.5909	.354	.118
CLM-120-BNV	12mm	.4725	.866	18mm	.7091	.472	.157



**ON-SIZE™ Bushings
for Bullet-Nose Dowels
(Headless Type)**



HEADLESS TYPE (INCH)

PART NO.	A DIA		C DIA		D
	NOMINAL	ACTUAL	NOMINAL	ACTUAL	
CL-1000-BPNV	1/4	.2501	1/2	.5002	3/8
CL-2000-BPNV	5/16	.3126	1/2	.5002	3/8
CL-3000-BPNV	3/8	.3751	5/8	.6253	1/2
CL-4000-BPNV	1/2	.5001	3/4	.7504	5/8

HEADLESS TYPE (METRIC)

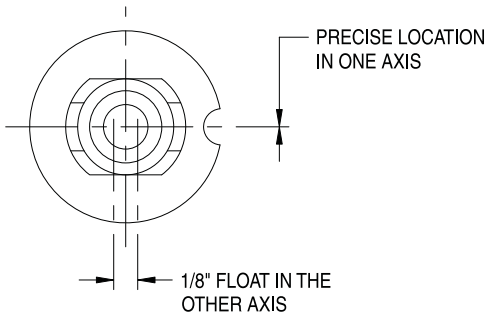
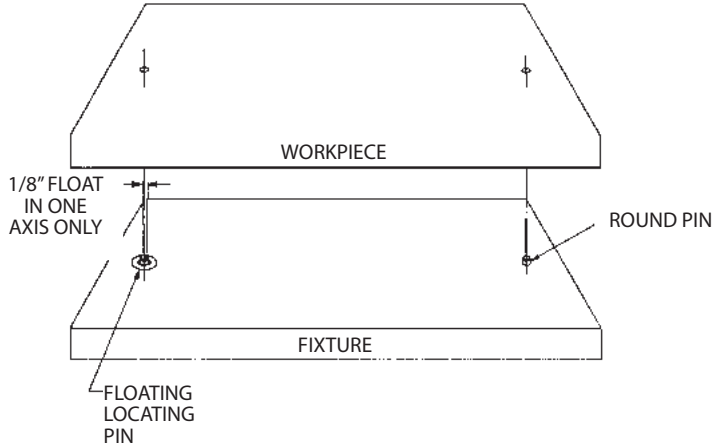
CLM-60-BPNV	6mm	.2363	10mm	.3939	.276
CLM-80-BPNV	8mm	.3151	12mm	.4726	.276
CLM-100-BPNV	10mm	.3938	15mm	.5909	.354
CLM-120-BPNV	12mm	.4725	18mm	.7091	.472

FLOATING LOCATING PINS

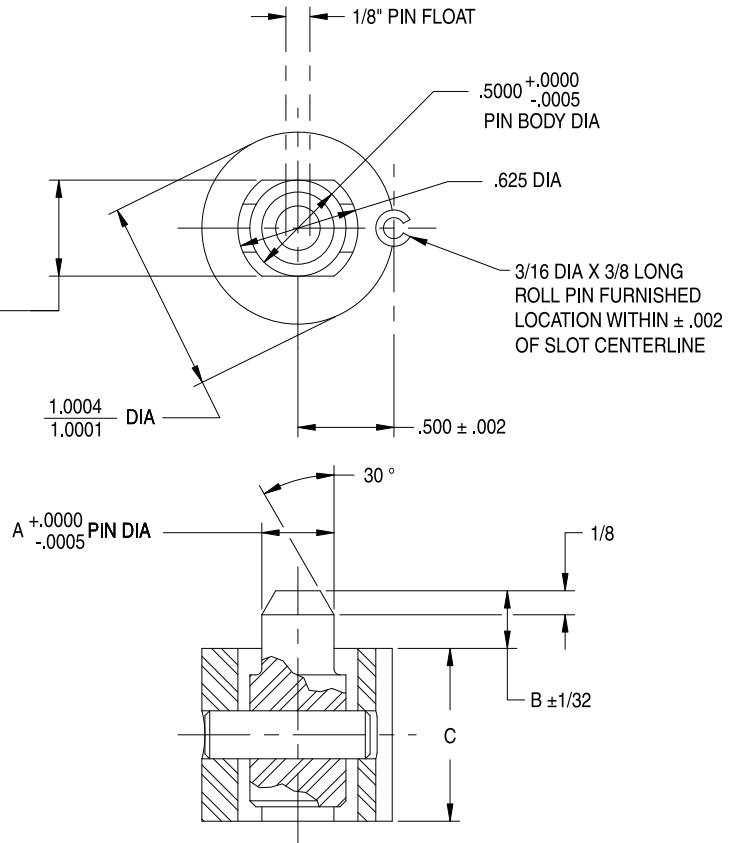
BODY: TOOL STEEL, HEAT TREATED, BLACK OXIDE FINISH
PIN: 1144 STEEL, HEAT TREATED, BLACK OXIDE FINISH



Provides precise location in one axis while allowing considerable float in the perpendicular axis. Use in conjunction with a Round Pin when loose workpiece-hole tolerances require more float than a Diamond Pin would allow. Special pin diameters (A dimensions) are available. Please contact factory. Patent No. 3,381,554.



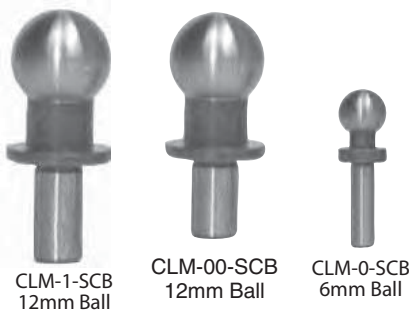
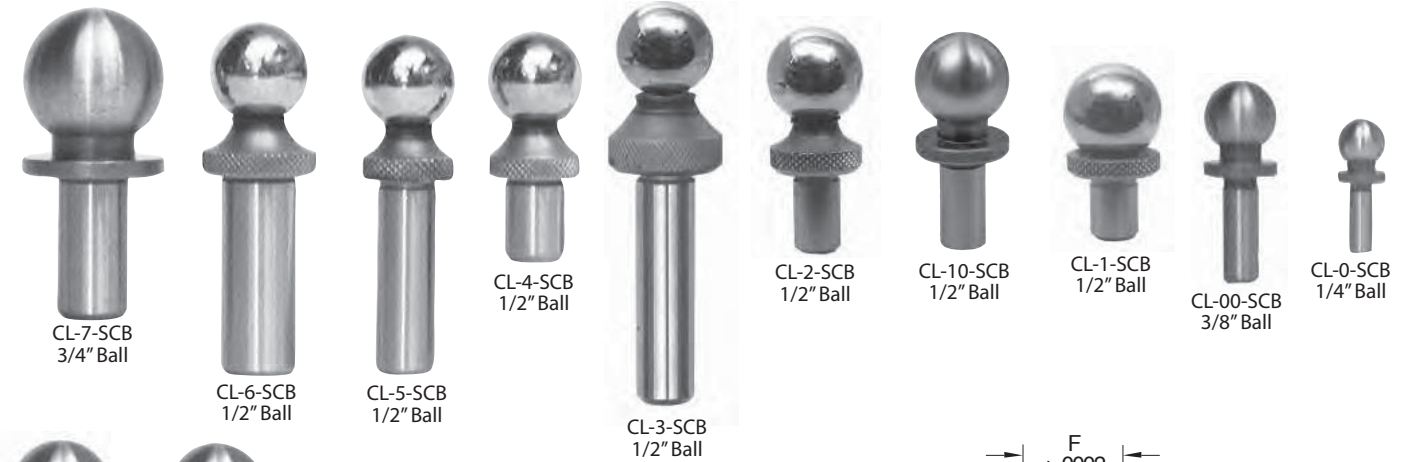
$\frac{.5001}{.5007}$ SLOT WIDTH
CENTERED WITHIN $.0005$ TIR



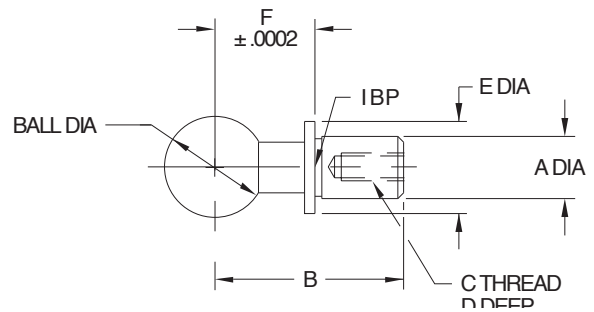
PART NO.	A DIA	B	C
CL-4-FLP	.2500	.300	.400
CL-4A-FLP			.900
CL-5-FLP	.3125	.300	.400
CL-5A-FLP			.900
CL-6-FLP	.3750	.300	.400
CL-6A-FLP			.900
CL-8-FLP	.5000	.300	.400
CL-8A-FLP			.900
CL-10-FLP	.6250	.310	.400
CL-10A-FLP			.900

CONSTRUCTION BALLS

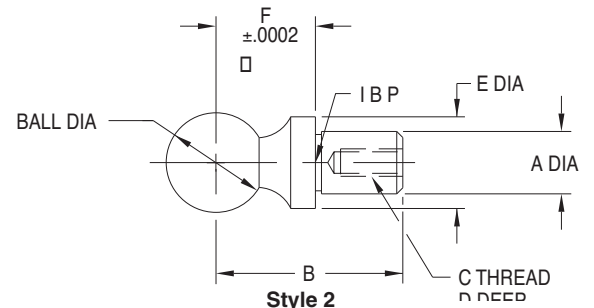
1144 STEEL, HEAT TREATED RC 54-56



Shoulder Type (Inch)



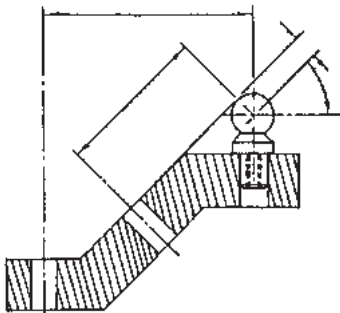
Style 1



Style 2

Shoulder Type (Metric)

Precision tooling ball used as a reference point for critical inspection, layout, and machining operations. Shoulder type has a precision height-reference shoulder to locate the ball in three dimensions. Concentricity between ball and shank is .0002" TIR. Available with ball diameters from 1/4 to 3/4" (6 to 12mm in metric), in various shank diameters and lengths. Note: Catalog photos are actual size.



Shoulder-Type Construction Balls provide a reference point in three dimensions.

SHOULDER TYPE (INCH)

PART NO.	BALL DIA		A DIA		B	C	D	E DIA	F	STYLE
	NOMINAL	ACTUAL	NOMINAL	ACTUAL						
CL-0-SCB	1/4	.2502/.2498	1/8	.1250/.1246	.56	—	—	.25	.2000	1
CL-00-SCB	3/8	.3752/.3748	3/16	.1875/.1871	.75	—	—	.37	.3000	
CL-1-SCB	1/2	.5000/.4997	1/4	.2500/.2497	.63	#6-32	1/4	.46	.3125	2
CL-10-SCB		.5002/.4998		.2500/.2496	.94	—	—		.4000	
CL-2-SCB		.2500/.2497		.94	#6-32	5/16	.5000		2	
CL-3-SCB		.5000/.4997	.2500/.2497	1.50	—	—	.46	.5000		
CL-4-SCB			5/16	.3125/.3122	.94	#6-32	5/16	.46		.5000
CL-5-SCB			5/16	.3125/.3122	1.50	—	—	.46		.5000
CL-6-SCB			3/8	.3750/.3747	1.50	—	—	.56	.5000	
CL-7-SCB	3/4	.7502/.7498	3/8	.3750/.3746	1.25	—	—	.75	.5000	1

SHOULDER TYPE (METRIC)

PART NO.	BALL DIA	ACTUAL	SHANK DIA	ACTUAL	B	C	D	E DIA	F	STYLE
CLM-00-SCB	12mm	.4726/.4722	6mm	.2362/.2358	.87	—	—	.47	.4724 (12mm)	
CLM-1-SCB					.98	M3.5	.24			

CONSTRUCTION BALLS

1144 STEEL, HEAT TREATED RC 54-56



CL-5-CB
1/2" Ball



CL-3-CB
1/2" Ball



CL-1-CB
1/2" Ball

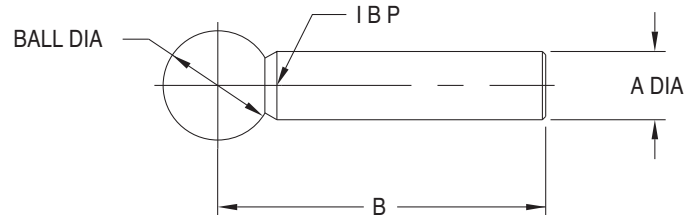


CL-00-CB
3/8" Ball



CL-0-CB
1/4" Ball

Adjustable Type



Precision tooling ball used as a reference point for critical inspection, layout, and machining operations. Adjustable type has no shoulder, so it can be set at any desired height then locked with a set screw. Concentricity between ball and shank is .0002" TIR. Available with ball diameters from 1/4 to 1/2", in various shank diameters and lengths. Note: Catalog photos are actual size.

ADJUSTABLE TYPE (INCH)

PART NO.	BALL DIA		A DIA		B
	NOMINAL	ACTUAL	NOMINAL	ACTUAL	
CL-0-CB	1/4	.2502/.2498	1/8	.1250/.1246	.56
CL-00-CB	3/8	.3752/.3748	3/16	.1875/.1871	
CL-1-CB	1/2	.5000/.4997	1/4	.2500/.2497	1.50
CL-3-CB			5/16	.3125/.3122	
CL-5-CB			3/8	.3750/.3747	

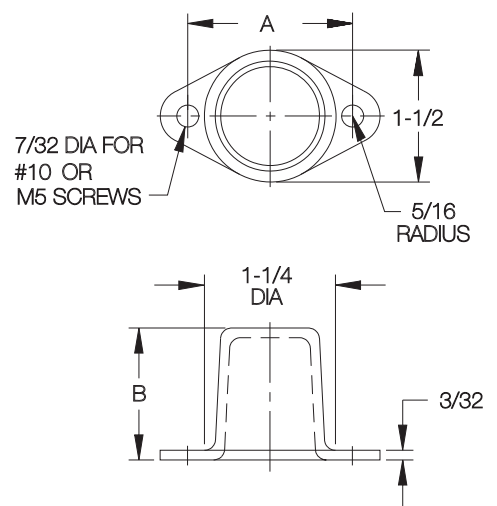
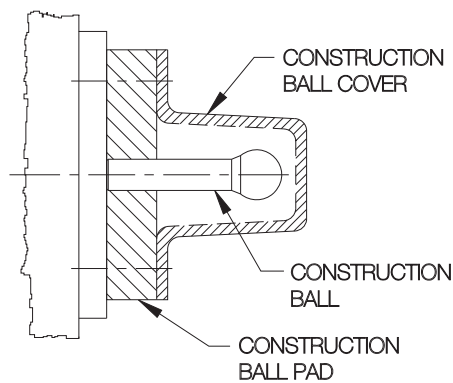
6

CONSTRUCTION BALL COVERS

1144 STEEL, HEAT TREATED RC 54-56



Sturdy cover that protects a Construction Ball from damage after installation.



PART NO.	A	B
CL-2-COVER	1-7/8	1-1/2

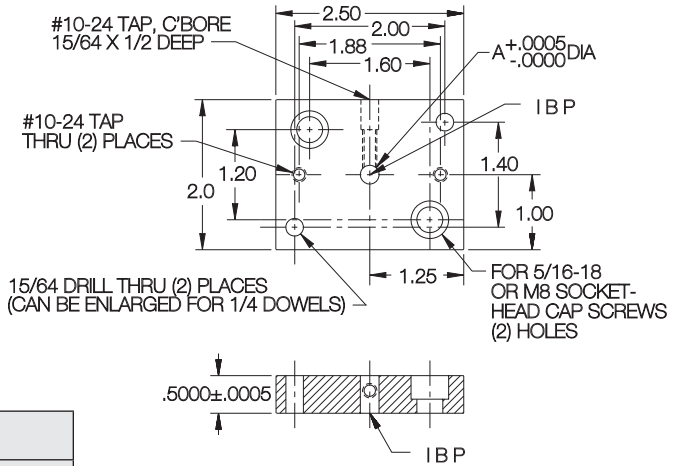
CONSTRUCTION-BALL PADS

RECTANGULAR: 1018 STEEL, BLACK OXIDE FINISH
 ROUND: 1144 STEEL, BLACK OXIDE FINISH
 SHANK TYPE: 8620 STEEL, CARBURIZED-HARDENED, BLACK OXIDE FINISH



Rectangular

Rectangular Construction-Ball Pads should be fastened with two socket-head cap screws, then can be doweled in place to maintain accurate location. The Construction Ball can be secured by installing a #10-24 set screw (not furnished) in the crosshole.



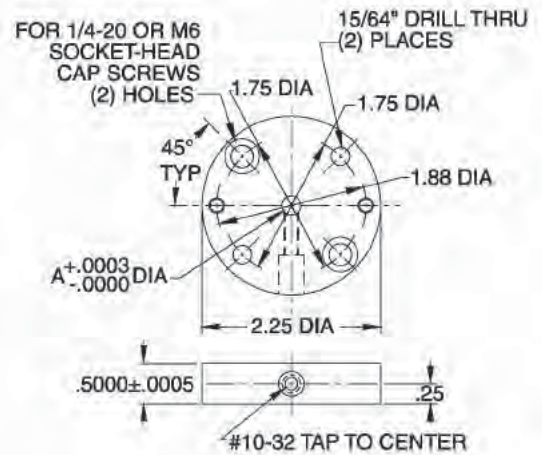
RECTANGULAR (INCH)

PART NO.	A DIA	
	NOMINAL	ACTUAL
CL-1-CBP	1/4	.2500
CL-2-CBP	5/16	.3125
CL-3-CBP	3/8	.3750



Round

Round Construction-Ball Pads should be fastened with two socket-head cap screws, then can be doweled in place to maintain accurate location. The Construction Ball can be secured by installing a #10-32 set screw (not furnished) in the crosshole.



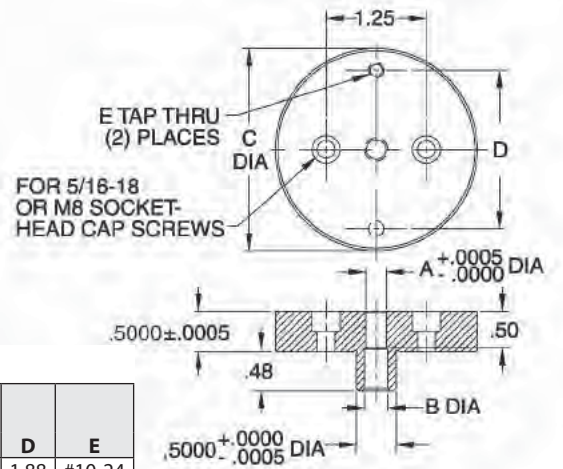
ROUND (INCH)

PART NO.	A DIA	
	NOMINAL	ACTUAL
CL-1-CBPR	1/4	.2500



Shank Type

Shank-type Construction-Ball Pads should be installed in a reamed hole for accurate location, then fastened with two socket-head cap screws.



SHANK TYPE (INCH)

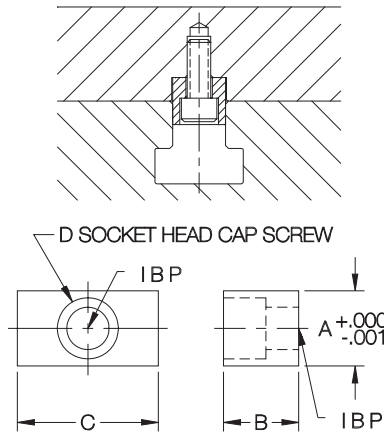
PART NO.	A DIA		B DIA	C DIA	D	E
	NOMINAL	ACTUAL				
CL-1-CBPK	1/4	.2500	.257	2.50	1.88	#10-24

FIXTURE KEYS

1018 STEEL, CARBURIZED-HARDENED, BLACK OXIDE FINISH



Standard key for fixtures slotted to mount on one specific machine table. Depth of slot in fixture should be 1/2 of B dimension.



INCH

PART NO.	TABLE SLOT SIZE	A	B	C	D
CL-1-FK	1/2	.5000	1/2	3/4	1/4-20
CL-2-FK	9/16	.5625		3/4	5/16-18
CL-3-FK	5/8	.6250			
CL-4-FK	11/16	.6875		1	
CL-5-FK	3/4	.7500		1-1/4	
CL-6-FK	13/16	.8125			
CL-7-FK	1-1/16	1.0625			

METRIC

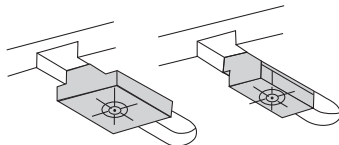
PART NO.	TABLE SLOT SIZE	A	B	C	D
CLM-12-FK	12mm	.4724	.315	.787	M5
CLM-14-FK	14mm	.5512	.394	.866	M6
CLM-16-FK	16mm	.6299			
CLM-18-FK	18mm	.7087			
CLM-20-FK	20mm	.7874			

STEP FIXTURE KEYS

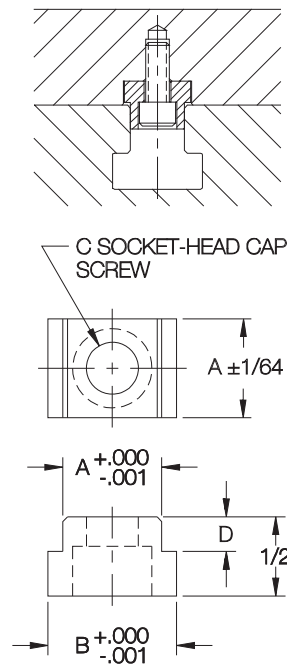
MILD STEEL, CARBURIZED-HARDENED, BLACK OXIDE FINISH



Adapts a key-slotted fixture or vise to machine tables with a different slot size. Available for inch or metric slots. Top and bottom of key are centered within .0005 of each other.



Step Fixture Keys are available for machine-table slots either larger or smaller than a given fixture slot. (Viewed from underside of fixture.)



INCH FIXTURE SLOTS

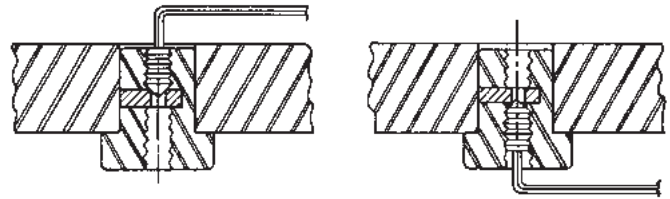
PART NO.	FIXTURE SLOT SIZE	A	TABLE SLOT SIZE	B	C SOCKET-HEAD CAP SCREW (ORDER SEPARATELY)	D
CL-8-SFK-437	1/2	.5000	7/16	.4375	CL-1/4-20X.62-SHCS	9/32
CL-8-SFK-562			9/16	.5625		
CL-8-SFK-625			5/8	.6250		7/32
CL-8-SFK-687			11/16	.6875		
CL-8-SFK-12			12mm	.4724		9/32
CL-8-SFK-14			14mm	.5512		
CL-8-SFK-16			16mm	.6299		7/32
CL-8-SFK-18	18mm	.7087				
CL-9-SFK-437	9/16	.5625	7/16	.4375	CL-1/4-20X.62-SHCS	9/32
CL-9-SFK-500			1/2	.5000		
CL-9-SFK-625			5/8	.6250		7/32
CL-9-SFK-12			12mm	.4724		
CL-9-SFK-14			14mm	.5512		9/32
CL-9-SFK-16	16mm	.6299				
CL-10-SFK-500	5/8	.6250	1/2	.5000	CL-5/16-18X.75-SHCS	9/32
CL-10-SFK-562			9/16	.5625		
CL-10-SFK-687			11/16	.6875		7/32
CL-10-SFK-750			3/4	.7500		
CL-10-SFK-812			13/16	.8125		9/32
CL-10-SFK-12			12mm	.4724		
CL-10-SFK-14			14mm	.5512		7/32
CL-10-SFK-16			16mm	.6299		
CL-10-SFK-18			18mm	.7087		
CL-10-SFK-20			20mm	.7874		
CL-11-SFK-562	11/16	.6875	9/16	.5625	CL-5/16-18X.75-SHCS	9/32
CL-11-SFK-625			5/8	.6250		
CL-11-SFK-750			3/4	.7500		7/32
CL-11-SFK-812			13/16	.8125		
CL-11-SFK-16			16mm	.6299		9/32
CL-11-SFK-18	18mm	.7087				
CL-11-SFK-20	20mm	.7874				
CL-12-SFK-625	3/4	.7500	5/8	.6250	CL-5/16-18X.75-SHCS	9/32
CL-12-SFK-687			11/16	.6875		
CL-12-SFK-812			13/16	.8125		7/32
CL-12-SFK-18			18mm	.7087		
CL-12-SFK-20	20mm	.7874	7/32			
CL-13-SFK-687	13/16	.8125		11/16	.6875	CL-5/16-18X.75-SHCS
CL-13-SFK-750			3/4	.7500		
CL-13-SFK-18			18mm	.7087		
CL-13-SFK-20			20mm	.7874		

METRIC FIXTURE SLOTS

PART NO.	FIXTURE SLOT SIZE	A	TABLE SLOT SIZE	B	C SOCKET-HEAD CAP SCREW (ORDER SEPARATELY)	D
CL-20-SFK-500	20mm	.7874	1/2	.5000	CLM-6X15-SHCS	9/32
CL-20-SFK-562			9/16	.5625		
CL-20-SFK-625			5/8	.6250		
CL-20-SFK-687			11/16	.6875		
CL-20-SFK-750			3/4	.7500		
CL-20-SFK-812			13/16	.8125		7/32
CL-20-SFK-12			12mm	.4724		
CL-20-SFK-14			14mm	.5512		9/32
CL-20-SFK-16			16mm	.6299		
CL-20-SFK-18			18mm	.7087		

SURE-LOCK™ FIXTURE KEYS

12L14 STEEL, CARBURIZED-HARDENED, BLACK OXIDE FINISH

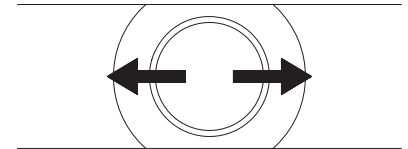


Lock in place from above or below using a hex wrench.

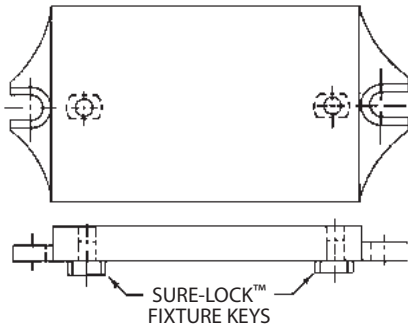
Perfect fixture key for most applications. Keys are interchangeable because they all fit in a 5/8 reamed hole. Allows mounting any fixture on any machine simply by switching keys. Eliminates the need to slot fixtures. Concentricity .0005 TIR or better. Available for inch or metric machine-table slots.

INCH

PART NO.	TABLE SLOT SIZE	A	B	C	D
CL-375-SLFK	3/8	.3750	1/2	3/8	.23
CL-437-SLFK	7/16	.4375			
CL-500-SLFK	1/2	.5000	3/4	7/16	.41
CL-5000-SLFK			1/2	3/8	.23
CL-562-SLFK	9/16	.5625	3/4	7/16	.41
CL-5625-SLFK			1/2	3/8	.23
CL-625-SLFK	5/8	.6250	3/4	7/16	.41
CL-6250-SLFK			1/2	3/8	.23
CL-687-SLFK	11/16	.6875	3/4	7/16	.41
CL-6875-SLFK			1/2	3/8	.23
CL-7500-SLFK	3/4	.7500	3/4	7/16	.41
CL-8125-SLFK	13/16	.8125			

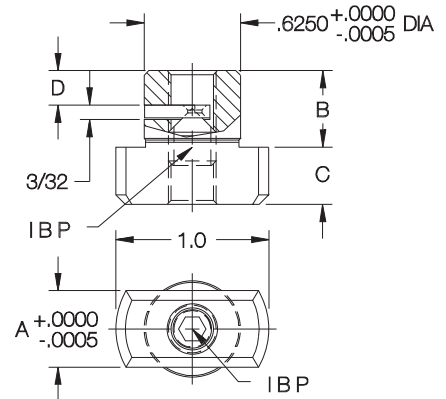


Patented locking action aligns fixture key perfectly with slot axis.



METRIC

PART NO.	TABLE SLOT SIZE	A	B	C	D
CL-12-SLFK	12mm	.4724	1/2	3/8	.23
CL-14-SLFK	14mm	.5512	3/4	7/16	.41
CL-16-SLFK	16mm	.6299			
CL-18-SLFK	18mm	.7087			
CL-20-SLFK	20mm	.7874			
CL-22-SLFK	22mm	.8661			



REAMED-HOLE FIXTURE KEYS

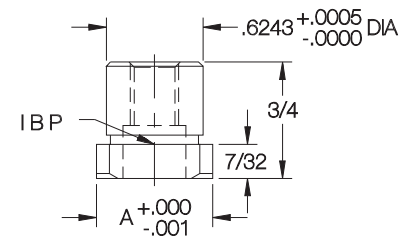
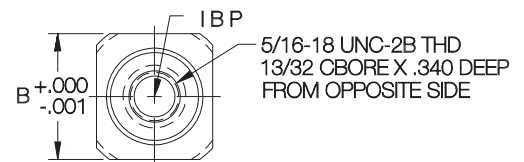
12L14 STEEL, CARBURIZED-HARDENED, BLACK OXIDE FINISH



Each key fits two different table slots by turning 90°. Install in a 5/8 reamed hole. Fasten from above with a 5/16–18 Socket-Head Cap Screw, or from below with a 1/4–20 Socket-Head Cap Screw. Concentricity .0005 or better.

INCH

PART NO.	TABLE SLOT SIZES	A	B
CL-1-RFK	5/8 and 11/16	.6250	.6875
CL-2-RFK	5/8 and 3/4		.7500
CL-3-RFK	5/8 and 13/16		.8125
CL-4-RFK	11/16 and 3/4	.6875	.7500
CL-6-RFK	3/4 and 13/16	.7500	.8125

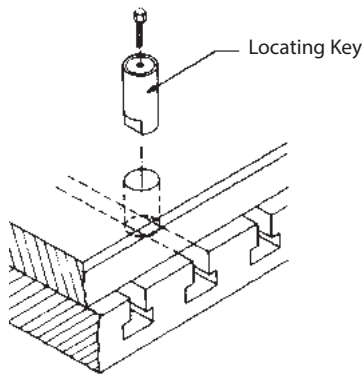
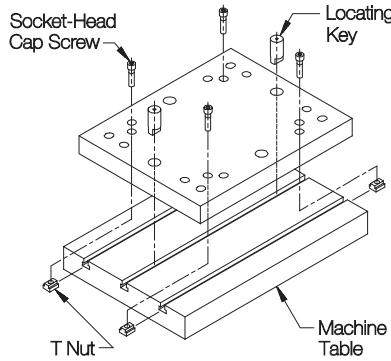


LOCATING KEYS

1144 OR 1045 STEEL, HEAT TREATED, BLACK OXIDE FINISH



Standard removable-type fixture key for large fixtures. Can be inserted from above after placing fixture on machine, then removed again if desired after the fixture is fastened. Keeps bottom of fixture free of obstructions. Install in a 1-3/16" reamed hole. True position within .0005 or better.

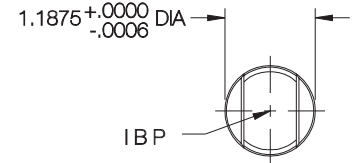
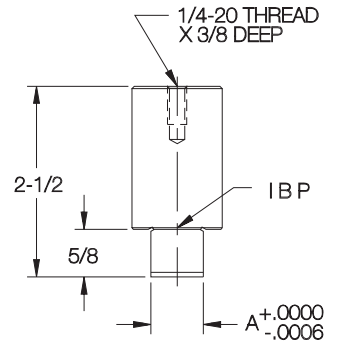


INCH

PART NO.	TABLE SLOT SIZE	A
CL-MF10-4406	9/16	.5625
CL-MF10-4407	5/8	.6250
CL-MF10-4408	11/16	.6875
CL-MF10-4409	3/4	.7500
CL-MF10-4411	13/16	.8125
CL-MF10-4410	7/8	.8750

METRIC

CL-MF10-4401	14mm	.5512
CL-MF10-4402	16mm	.6299
CL-MF10-4403	18mm	.7087
CL-MF10-4404	20mm	.7874
CL-MF10-4405	22mm	.8661



6

SUBPLATE LOCATING KEYS

1144 STEEL, HEAT TREATED, BLACK OXIDE FINISH

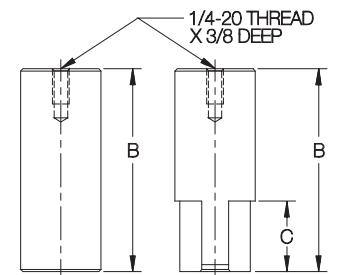
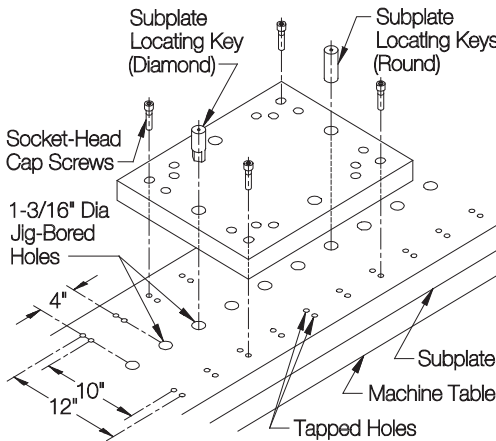


Round



Diamond

Subplate Locating Keys are the new standard for mounting quick-change fixture plates on a subplate. A Round Key and a Diamond (relieved) Key are used together for precise location without binding. Diamond Keys are marked on top to ensure proper orientation in the hole. Two standard diameters match standard fixture-key holes. This allows mounting the same fixture plate either on a subplate (3-axis location) or directly on a machine table (2-axis location). The 5/8"-diameter key fits in the same hole as a Sure-Lock™ Fixture Key, while the 1-3/16"-diameter key fits in the same hole as the Locating Keys shown above. The subplate hole pattern shown above allows mounting any size and combination of Rectangular Tooling Plates, either lengthwise or widthwise.

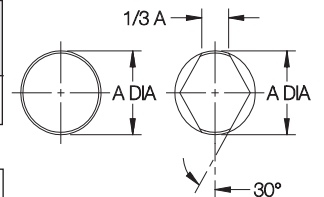


ROUND

PART NO.	A DIA		B	C
	NOMINAL	ACTUAL		
CL-10-SLKR	5/8	.6250/.6244	2-1/4	—
CL-19-SLKR	1-3/16	1.1875/1.1869	2-7/8	—

DIAMOND

CL-10-SLKD	5/8	.6250/.6244	2-1/4	1
CL-19-SLKD	1-3/16	1.1875/1.1869	2-7/8	



PALLET FIXTURE KEYS

12L14 STEEL, CARBURIZED-HARDENED, BLACK OXIDE FINISH

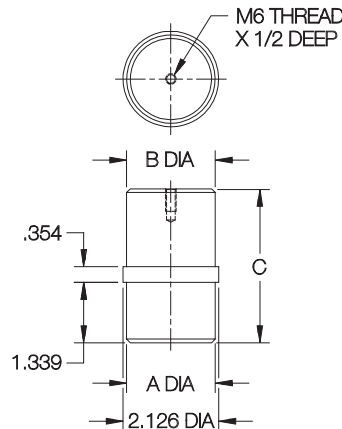


Center Pin

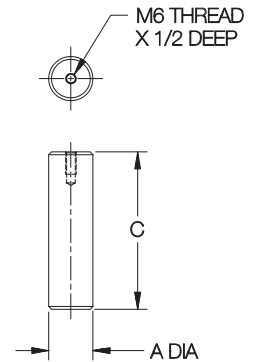


Radial Pin

Fixture keys for mounting tooling plates and blocks on standard DIN pallets. Each pallet requires one Center Pin and one Radial Pin (for orientation). The Radial Pin is usually removed after fastening the pallet to the machine table.

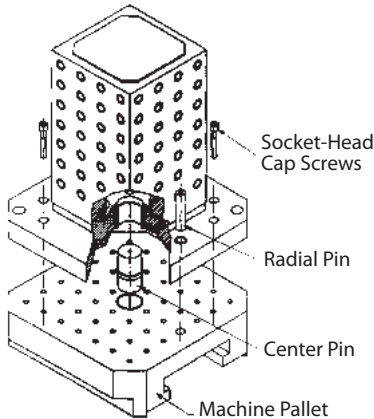


Center Pin



Radial Pin

6



CENTER PINS

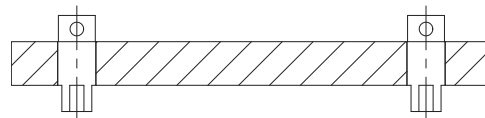
PART NO.	A DIA		B DIA		C
	NOMINAL	ACTUAL	NOMINAL	ACTUAL	
CLM-25-PFKC	50mm	1.9681/1.9676	25mm	.9839/.9835	2.87
CLM-30-PFKC			30mm	1.1808/1.1804	3.42
CLM-50-PFKC			50mm	1.9681/1.9676	

RADIAL PINS

PART NO.	A DIA		C
	NOMINAL	ACTUAL	
CLM-20-PFKR	20mm	.7871/.7867	3.50
CLM-25-PFKR	25mm	.9839/.9835	4.92

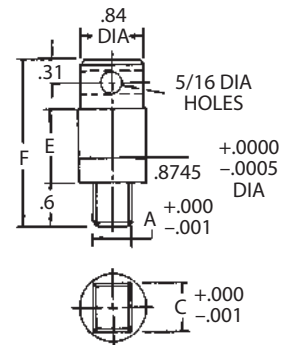
MILL FIXTURE KEYS

12L14 STEEL, CARBURIZED-HARDENED, BLACK OXIDE FINISH



INCH

PART NO.	TABLE SLOT SIZES	A	C	E F	
				1.00	2.20
CL-1-MFK-1	11/16 or 13/16	.6873	.8123	1.00	2.20
CL-1-MFK-2				3.20	4.40

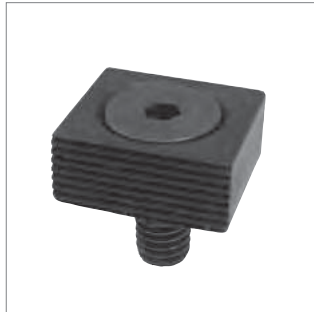


Can be removed from above after mounting fixture on machine. Fits either 11/16 or 13/16 table slots by turning 90°. Install in a 7/8 reamed hole. Concentricity .0005 or better.

CLAMPS AND ACCESSORIES



Clamp Straps



Edge Clamps



Swing Clamps



Internal Clamps



Nuts



Washers



Studs, Bolts, & T Nuts



Cams



Clamp Rests & Accessories



Clamping Kits



Portable Clamps



Drill-Press Clamps



Hammers & Hand Tools

CLAMP STRAPS

TYPES



SLOTTED-HEEL CLAMP STRAPS

Popular Clamp Strap with a slot underneath to allow sliding it straight back for clear unloading. Two drill spots on the sides provide a secure grip for retracting the clamp. Available in steel or stainless steel with several strap lengths available for each size.



SLOTTED-HEEL GOOSENECK CLAMP STRAPS

Gooseneck version of our Slotted-Heel Clamp Straps. This design recesses the clamping nut to provide a low overall profile. An indentation at the rear of each side provides a secure finger grip for retracting the clamp. Also available as a complete assembly.



SLOTTED-HEEL PADDED CLAMP STRAPS

Slotted-Heel Clamp Strap that features a replaceable clamping pad attached with two screws (furnished). Clamp Strap also easily accepts custom pads or other attachments. Read end is tapped on either side for a Finger Pin.



TAPPED-HEEL CLAMP STRAPS

Popular Clamp Strap with a tapped heel that accepts a clamping screw or rear support. Often used with a Guide Block to allow sliding the strap straight back for clear loading. Two drill spots on the sides provide a secure grip for retracting the clamp. Can also be used with a Stud Leveling Foot as a rear support.



TAPPED-HEEL PADDED CLAMP STRAPS CLAMPS

Tapped-Heel Clamp Strap that features a replaceable clamping pad attached with two screws (furnished). Clamp Strap also easily accepts custom pads or other attachments. Replacement pads and assemblies also available.



FORGED CLAMP STRAPS

High-strength Tapped-Heel Clamp Strap available in straight or gooseneck design, with a locator nose or plain nose. Locator-nose version is ideal for workpieces with machined ends. The accurately machined notch ensures precise, repeatable clamp location for increased machining clearance.



ALUMINUM CLAMP STRAPS

Soft Clamp Strap made of high-strength aluminum alloy. This tapped-heel clamp is available in straight or gooseneck design, with locator nose or plain nose. Locator-nose version is ideal for workpieces with machined sides. The accurately machined notch ensures precise, repeatable clamp location for increased machining clearance.



TAPERED-NOSE CLAMP STRAPS

Tapped-Heel Clamp Strap with a tapered nose for clamping in tight spaces. Available in stainless steel. Also available as a complete assembly, where a Fixture Stud has a thread-locking interference thread at the bottom end to install permanently in a fixture plate.



WIDE-NOSE CLAMP STRAPS

Tapped-Heel Clamp Strap with an extra-wide nose. Available in stainless steel. Also available as a complete assembly, where a Fixture Stud has a thread-locking interference thread at the bottom end to install permanently in a fixture plate.

CLAMP STRAPS

TYPES



DOUBLE-END GOOSENECK CLAMP STRAPS

Gooseneck version of our Double-End Clamp Straps. This design recesses the clamping nut to provide a low overall profile. Double-End Clamps have two clamping ends, for holding two workpieces simultaneously. Turn strap 90° for clear loading.



DOUBLE-END CLAMP STRAPS

Clamp Strap with two clamping ends, for holding two workpieces simultaneously. A complete Clamp-Strap Assembly is available as well. Order pieces individually. See product page for details. Also available in metric.



SWIVEL-HEEL CLAMP STRAPS

Clamp Strap that swings out of the way for clear loading. Clamp-Strap Assemblies also available. Order pieces individually. See product page for details. Also available in metric.



FORGED U CLAMPS

Open U end allows totally removing clamp strap when unclamped. Clamp tips are stepped to provide repeatable location. Cylindrical pin end minimizes contact area and is useful for clamping in horizontal holes.



ALUMINUM ADJUSTABLE CLAMPS

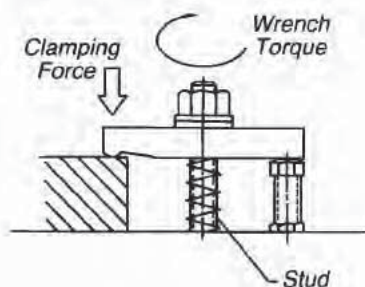
Simple, economical aluminum clamp. Instant height adjustment without blocks or shims. One-piece assembly allows quick setups and eliminates lost clamp pieces. Clamp can swing 90° in either direction for loading clearance.



STEP BLOCKS & CLAMPS

Serrated block can be used individually or in pairs, as a clamp rest. Use a single block with Step Clamps, or a pair of blocks with Plain Clamps. All blocks and clamps are made from top-grade steel.

CLAMPING FORCE OF STANDARD CLAMP STRAPS



INCH

Stud Size	Recommended Torque* (ft.-lbs.)	Clamping Force (lbs.)	Tensile Force in Stud (lbs.)
#10-32	2	300	600
1/4-20	4	500	1000
5/16-18	9	900	1800
3/8-16	16	1300	2600
1/2-13	38	2300	4600
5/8-11	77	3700	7400
3/4-10	138	5500	11000
7/8-9	222	7600	15200
1-8	333	10000	20000

METRIC

Stud Size	Recommended Torque* (ft.-lbs.)	Clamping Force (lbs.)	Tensile Force in Stud (lbs.)
M6	4	500	1000
M8	9	900	1800
M10	20	1500	3000
M12	35	2200	4400
M16	84	4000	8000
M20	165	6300	12600
M24	283	9000	18000

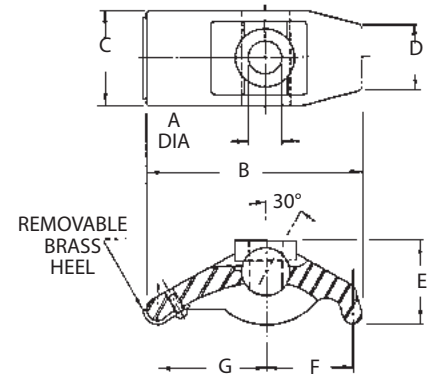
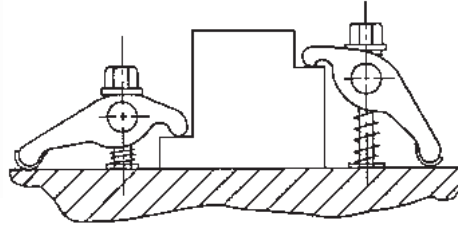
*Clean, dry clamping stud torqued to approximately 33% of its 100,000 psi yield strength (2:1 lever ratio).

FORGED ADJUSTABLE CLAMPS

FORGED 1045 STEEL, BLACK OXIDE FINISH



Rugged forged steel pivot clamp. Instant height adjustment without blocks or shims. One-piece assembly allows quick setups and eliminates lost clamp pieces. Removable brass heel protects machine table. Clamp can swing 90° in either direction for loading clearance.



CLAMP STRAPS

PART NO.	STUD SIZE	CLAMPING RANGE	A DIA	B	C	D	E	F	G
CL-6-FAC	5/16, 3/8, M8, or M10	0 to 1-3/4	7/16	3-1/4	1-1/4	7/8	1	1-1/8	1-7/8
CL-8-FAC	1/2 or M12	0 to 2-1/16	9/16	4	1-5/8	1-1/8	1-7/16	1-7/16	2-5/16
CL-10-FAC	5/8 or M16	0 to 3	11/16	5-1/2	1-7/8	1-3/8	1-7/8	2	3-1/4
CL-12-FAC	3/4 or M20	0 to 4-1/4	13/16	6-1/4	2-5/8	2	2-1/4	2-1/8	3-1/2
CL-16-FAC	7/8, 1, or M24	0 to 5-1/2	1-1/16	7	3-1/8	2-3/8	2-7/16	2-1/4	4

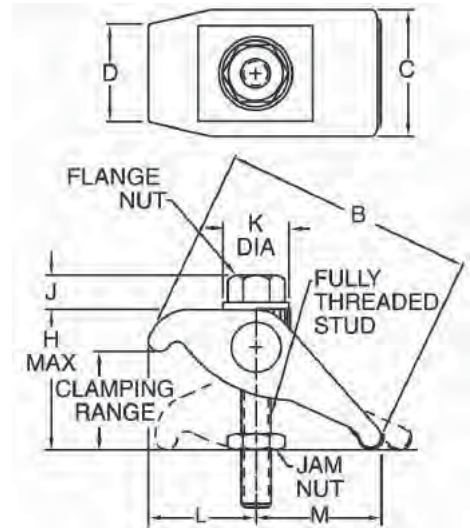
7



Assembly with Flange Nut
CL-x-FACA-FN



Assembly with Hand Knob
CL-x-FACA-HK



ASSEMBLIES (INCH)

PART NO.	STUD SIZE	CLAMPING RANGE	H	J	K DIA	L		M		FORGED ADJUSTABLE CLAMP	FULLY THREADED STUD	JAM NUT	FLANGE NUT
						MIN	MAX	MIN	MAX				
CL-5-FACA-FN	5/16-18	0 to 1-3/4	2-1/8	3/8	3/4	1-1/16	1-1/4	1-3/4	2	CL-6-FAC	CL-5/16-18x3.00-FTS	CL-5-JN	CL-9-FN
CL-6-FACA-FN	3/8-16			1/2	7/8								
CL-8-FACA-FN	1/2-13	0 to 2-1/16	2-5/8	11/16	1-1/8	1-3/8	1-9/16	2-1/8	2-7/16	CL-8-FAC	CL-1/2-13x4.00-FTS	CL-8-JN	CL-3-FN
CL-10-FACA-FN	5/8-11	0 to 3	3-3/4	13/16	1-3/8	1-13/16	2-1/8	2-15/16	3-3/8	CL-10-FAC	CL-5/8-11x5.00-FTS	CL-10-JN	CL-4-FN
CL-12-FACA-FN	3/4-10	0 to 4-1/4	5-3/8	1	1-5/8	2-1/8	2-7/16	3-5/16	3-13/16	CL-12-FAC	CL-3/4-10x7.00-FTS	CL-12-JN	CL-5-FN
CL-14-FACA-FN	7/8-9	0 to 5-1/2	7	1-1/8	1-3/4	2-1/4	2-5/8	3-13/16	4-3/8	CL-16-FAC	CL-7/8-9x8.00-FTS	CL-14-JN	CL-6-FN
CL-16-FACA-FN	1"-8			1-1/4	2								

ASSEMBLIES (METRIC)

CLM-5-FACA-FN	M8	0 to 1-3/4	2-1/8	.39	.75	1-1/16	1-1/4	1-3/4	2	CL-6-FAC	CLM-8x80-FTS	CLM-8-JN	CLM-8-FN
CLM-6-FACA-FN	M10			.51	.87								
CLM-8-FACA-FN	M12	0 to 2-1/16	2-5/8	.67	1.10	1-3/8	1-9/16	2-1/8	2-7/16	CL-8-FAC	CLM-12x110-FTS	CLM-12-JN	CLM-12-FN
CLM-10-FACA-FN	M16	0 to 3	3-3/4	.83	1.34	1-13/16	2-1/8	2-15/16	3-3/8	CL-10-FAC	CLM-16x125-FTS	CLM-16-JN	CLM-16-FN
CLM-12-FACA-FN	M20	0 to 4-1/4	5-3/8	.98	1.61	2-1/8	2-7/16	3-5/16	3-13/16	CL-12-FAC	CLM-20x175-FTS	CLM-20-JN	CLM-20-FN
CLM-16-FACA-FN	M24	0 to 5-1/2	7	1.26	2.01	2-1/4	2-5/8	3-13/16	4-3/8	CL-16-FAC	CLM-24x200-FTS	CLM-24-JN	CLM-24-FN

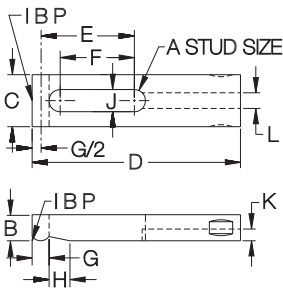
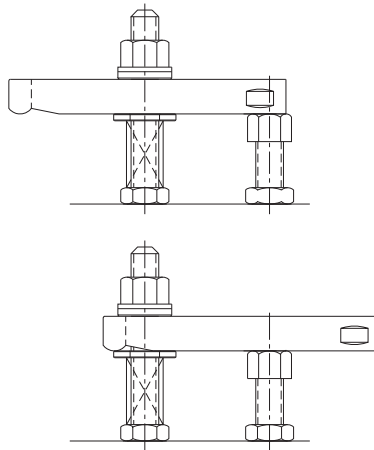
SLOTTED-HEEL CLAMP STRAPS

STEEL: 1018, CARBURIZED-HARDENED, BLACK OXIDE FINISH
 STAINLESS STEEL: 300 SERIES



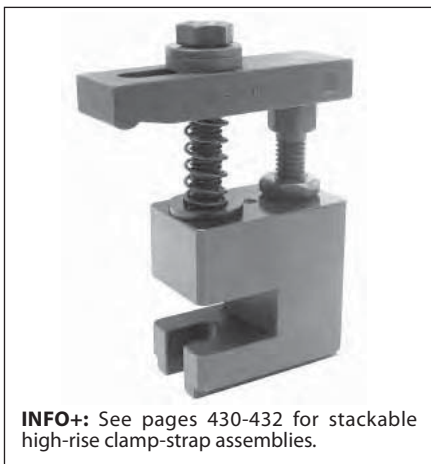
Steel and Stainless Steel

Popular Clamp Strap with a slot underneath to allow sliding it straight back for clear loading. Two drill spots on the sides provide a secure grip for retracting the clamp. Available in steel for 1/4-20 (M6) to 3/4-10 (M20) stud sizes, or stainless steel for #10-32 to 3/8-16 stud sizes. Each size is available in several strap lengths.



STRAPS — STEEL

PART NO.	A	B	C	D	E	F	G	H	J	K	L
CL-0-CS	1/4-20 or M6	3/8	5/8	2	27/32	19/32	1/4	11/32	9/32	5/32	3/16
CL-1-CS				2-1/2	1-3/32	13/16					
CL-1A-CS	5/16-18 or M8	1/2	3/4	2-1/2	27/32	1/2	5/16	7/16	11/32	7/32	1/4
CL-1B-CS				3	1-11/32	1					
CL-2-CS	3/8-16 or M10	1/2	1-1/8	3	1-9/32	7/8	13/32	1/2	27/64	9/32	3/8
CL-3A-CS				3-1/2	1-17/32	1-1/8					
CL-3-CS				4	1-25/32	1-3/8					
CL-4-CS				5	2-9/32	1-7/8					
CL-5-CS				6	2-25/32	2-3/8					
CL-6A-CS	1/2-13 or M12	5/8	1-1/4	3-1/2	1-1/2	1-1/32	13/32	1/2	17/32	9/32	3/8
CL-6-CS				4	1-3/4	1-9/32					
CL-8-CS				5	2-1/4	1-25/32					
CL-10-CS				6	2-3/4	2-9/32					
CL-15A-CS	5/8-11 or M16	7/8	1-1/2	4	1-11/16	1-3/32	1/2	19/32	21/32	9/32	1/2
CL-16-CS				5	2-3/16	1-19/32					
CL-18-CS				6	2-11/16	2-3/32					
CL-18A-CS				6-1/2	2-15/16	2-11/32					
CL-19-CS	3/4-10 or M20	1	1-3/4	6	2-5/8	2	1/2	19/32	13/16	5/16	1/2
CL-21-CS				7	3-1/8	2-9/16					
CL-22A-CS				8	3-5/8	3-1/8					



STRAPS — STAINLESS, MINIATURE

CL-17215	#10-32	1/4	1/2	1-1/2	21/32	15/32	3/16	5/16	7/32	3/32	7/32
CL-17220				2	29/32	23/32					
CL-17320	1/4-20	3/8	5/8	2	7/8	11/16	1/4	3/8	9/32	1/8	9/32
CL-17325				2-1/2	1-1/8	15/16					
CL-17420	5/16-18	3/8	3/4	2	27/32	19/32	5/16	7/16	11/32	5/32	11/32
CL-17425				2-1/2	1-3/32	27/32					
CL-17430				3	1-11/32	1-3/32					
CL-17530				3	1-5/16	1					
CL-17540	3/8-16	1/2	1	4	1-13/16	1-1/2	3/8	1/2	13/32	3/16	13/32

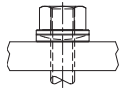
SLOTTED-HEEL CLAMP STRAPS

INFO+: SEE PAGES 90, 97, 237, 282-286, 289-290, 296, 298-300 FOR MATERIAL SPECIFICATIONS

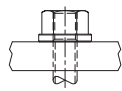


Steel

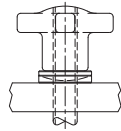
A complete clamp-strap assembly using (INFO+) a slotted-heel strap from page 237. Select any of the six nut/knob combinations shown below by adding the appropriate suffix to the part number. Other Stud and Clamp Rest lengths are available (order pieces individually).



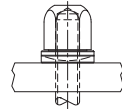
Spherical Nut & Washer
CL-xx-SHA-1



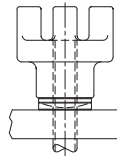
Flange Nut
CL-xx-SHA-2



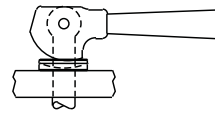
Hand Knob with Spherical Washer
CL-xx-SHA-4



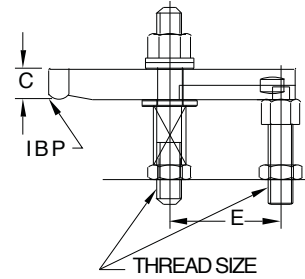
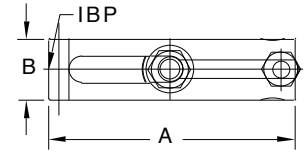
Acorn Nut with Spherical Washer
CL-xx-SHA-5



Bar Knob with Spherical Washer*
CL-xx-SHA-6



Cam Handle with Spherical Washer
(INFO+ page 239)



ASSEMBLIES — STEEL (INCH)

PART NO.	THREAD SIZE	A	B	C	E	CLAMP STRAP	CLAMP REST	SPRING	FLAT WASHER	STUD
CL-0-SHA-x	1/4-20	2	5/8	3/8	27/32	CL-0-CS	CL-1-CR	CL-5-SPG	CL-7-FW	CL-1/4-20x2.50-STUD
CL-1-SHA-x		2-1/2			1-3/32	CL-1-CS				
CL-1A-SHA-x	5/16-18	2-1/2	3/4	1/2	27/32	CL-1A-CS	CL-1A-CR	CL-6-SPG	CL-14-FW	CL-5/16-18x3.00-STUD
CL-1B-SHA-x		3			1-11/32	CL-1B-CS				
CL-2-SHA-x	3/8-16	3	1-1/8	1/2	1-9/32	CL-2-CS	CL-2-CR	CL-7-SPG	CL-1-FW	CL-3/8-16x3.00-STUD
CL-3-SHA-x		3-1/2			1-17/32	CL-3A-CS				
CL-4-SHA-x		4			1-25/32	CL-3-CS				
CL-6-SHA-x		5			2-9/32	CL-4-CS				
CL-8-SHA-x		6			2-25/32	CL-5-CS				
CL-9-SHA-x		3-1/2			1-1/2	CL-6A-CS				
CL-10-SHA-x	1/2-13	4	1-1/4	5/8	1-3/4	CL-6-CS	CL-4-CR	CL-9-SPG	CL-2-FW	CL-1/2-13x4.00-STUD
CL-12-SHA-x		5			2-1/4	CL-8-CS				
CL-14-SHA-x		6			2-3/4	CL-10-CS				
CL-20-SHA-x		4			1-11/16	CL-15A-CS				
CL-22-SHA-x	5/8-11	5	1-1/2	7/8	2-3/16	CL-16-CS	CL-6-CR	CL-11-SPG	CL-3-FW	CL-5/8-11x4.50-STUD
CL-24-SHA-x		6			2-11/16	CL-18-CS				
CL-25-SHA-x		6-1/2			2-15/16	CL-18A-CS				
CL-27-SHA-x		6			2-5/8	CL-19-CS				
CL-29-SHA-x	3/4-10	7	1-3/4	1	3-1/8	CL-21-CS	CL-8-CR	CL-13-SPG	CL-4-FW	CL-3/4-10x5.00-STUD
CL-31-SHA-x		8			3-5/8	CL-22A-CS				

ASSEMBLIES — STEEL (METRIC)

CLM-0-SHA-x	M6	2	5/8	3/8	27/32	CL-0-CS	CLM-1-CR	CL-5-SPG	CL-7-FW	CLM-6x65-STUD
CLM-1-SHA-x		2-1/2			1-3/32	CL-1-CS				
CLM-1A-SHA-x	M8	2-1/2	3/4	1/2	27/32	CL-1A-CS	CLM-1A-CR	CL-6-SPG	CL-14-FW	CLM-8x80-STUD
CLM-1B-SHA-x		3			1-11/32	CL-1B-CS				
CLM-2-SHA-x	M10	3	1-1/8	1/2	1-9/32	CL-2-CS	CLM-2-CR	CL-7-SPG	CL-1-FW	CLM-1x80-STUD
CLM-3-SHA-x		3-1/2			1-17/32	CL-3A-CS				
CLM-4-SHA-x		4			1-25/32	CL-3-CS				
CLM-6-SHA-x		5			2-9/32	CL-4-CS				
CLM-8-SHA-x		6			2-25/32	CL-5-CS				
CLM-9-SHA-x		3-1/2			1-1/2	CL-6A-CS				
CLM-10-SHA-x	M12	4	1-1/4	5/8	1-3/4	CL-6-CS	CLM-4-CR	CL-9-SPG	CL-2-FW	CLM-12x95-STUD
CLM-12-SHA-x		5			2-1/4	CL-8-CS				
CLM-14-SHA-x		6			2-3/4	CL-10-CS				
CLM-20-SHA-x		4			1-11/16	CL-15A-CS				
CLM-22-SHA-x	M16	5	1-1/2	7/8	2-3/16	CL-16-CS	CLM-5-CR	CL-11-SPG	CL-3-FW	CLM-16x110-STUD
CLM-24-SHA-x		6			2-11/16	CL-18-CS				
CLM-25-SHA-x		6-1/2			2-15/16	CL-18A-CS				
CLM-27-SHA-x		6			2-5/8	CL-19-CS				
CLM-29-SHA-x	M20	7	1-3/4	1	3-1/8	CL-21-CS	CLM-8-CR	CL-13-SPG	CLM-10-FW	CLM-20x125-STUD
CLM-31-SHA-x		8			3-5/8	CL-22A-CS				

* Available in thread sizes 3/8-16 and above (M10 and above in metric).

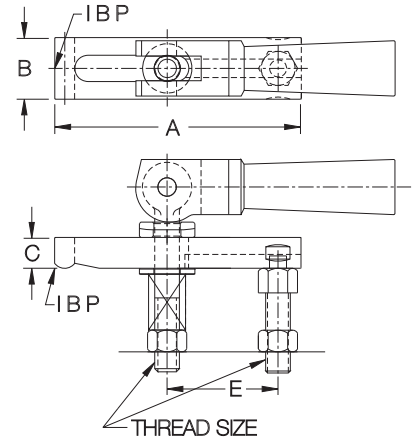
SLOTTED-HEEL CLAMP STRAPS

INFO+: SEE PAGES 90, 97, 237, 282-286, 289-290, 296, 298-300 FOR MATERIAL SPECIFICATIONS



**Straddle Cam
Steel**

A complete clamp-strap assembly using (INFO+) a slotted-heel strap from page 237 along with a Double Cam and Eyebolt. Other Eyebolt and Clamp Rest lengths are available (order pieces individually).



ASSEMBLIES — STRADDLE CAM, STEEL (INCH)

PART NO.	THREAD SIZE	A	B	C	E	CLAMP STRAP	CLAMP REST	SPRING	EYE BOLT	CAM HANDLE AND CLEVIS PIN	FLAT WASHER	SPHERICAL WASHER
CL-0-SCA	1/4-20	2	5/8	3/8	27/32	CL-0-CS	CL-1-CR	CL-5-SPG	CL-25-EB	CL-11-CH CL-610-CLVP	CL-7-FW	CL-1-SW
CL-1-SCA		2-1/2			1-3/32	CL-1-CS						
CL-1A-SCA	5/16-18	2-1/2	3/4	1/2	27/32	CL-1A-CS	CL-1A-CR	CL-6-SPG	CL-31-EB	CL-11A-CH CL-810-CLVP	CL-14-FW	CL-11-SW
CL-1B-SCA		3			1-11/32	CL-1B-CS						
CL-2-SCA	3/8-16	3	1-1/8	1/2	1-9/32	CL-2-CS	CL-2-CR	CL-7-SPG	CL-38-EB	CL-12-CH CL-1014-CLVP	CL-1-FW	CL-2-SW
CL-2A-SCA		3-1/2			1-17/32	CL-3A-CS						
CL-3-SCA		4			1-25/32	CL-3-CS						
CL-4-SCA		5			2-9/32	CL-4-CS						
CL-5-SCA		6			2-25/32	CL-5-CS						
CL-6A-SCA		3-1/2			1-1/2	CL-6A-CS						
CL-6-SCA	1/2-13	4	1-1/4	5/8	1-3/4	CL-6-CS	CL-4-CR	CL-9-SPG	CL-50-EB	CL-13-CH CL-1218-CLVP	CL-2-FW	CL-3-SW
CL-8-SCA		5			2-1/4	CL-8-CS						
CL-9A-SCA		6			2-3/4	CL-10-CS						
CL-17-SCA		4			1-11/16	CL-15A-CS						
CL-19-SCA	5/8-11	5	1-1/2	7/8	2-3/16	CL-16-CS	CL-6-CR	CL-11-SPG	CL-62-EB	CL-14-CH CL-2020-CLVP	CL-3-FW	CL-4-SW
CL-21-SCA		6			2-11/16	CL-18-CS						
CL-22-SCA		6-1/2			2-15/16	CL-18A-CS						
CL-24-SCA	3/4-10	6	1-3/4	1	2-5/8	CL-19-CS	CL-8-CR	CL-13-SPG	CL-75-EB	CL-15-CH CL-2024-CLVP	CL-4-FW	CL-5-SW
CL-26-SCA		7			3-1/8	CL-21-CS						
CL-28-SCA		8			3-5/8	CL-22A-CS						

ASSEMBLIES — STRADDLE CAM, STEEL (METRIC)

CLM-0-SCA	M6	2	5/8	3/8	27/32	CL-0-CS	CLM-1-CR	CL-5-SPG	CLM-25A-EB	CLM-11-CH CLM-616-CLVP	CL-7-FW	CL-1-SW
CLM-1-SCA		2-1/2			1-3/32	CL-1-CS						
CLM-2-SCA	M10	3	1-1/8	1/2	1-9/32	CL-2-CS	CLM-2-CR	CL-7-SPG	CLM-40-EB	CLM-12-CH CLM-1023-CLVP	CL-1-FW	CL-2-SW
CLM-2A-SCA		3-1/2			1-17/32	CL-3A-CS						
CLM-3-SCA		4			1-25/32	CL-3-CS						
CLM-4-SCA		5			2-9/32	CL-4-CS						
CLM-5-SCA		6			2-25/32	CL-5-CS						
CLM-6A-SCA		3-1/2			1-1/2	CL-6A-CS						
CLM-6-SCA	M12	4	1-1/4	5/8	1-3/4	CL-6-CS	CLM-4-CR	CL-9-SPG	CLM-50A-EB	CLM-13-CH CLM-1229-CLVP	CL-2-FW	CL-3-SW
CLM-8-SCA		5			2-1/4	CL-8-CS						
CLM-9A-SCA		6			2-3/4	CL-10-CS						
CLM-17-SCA		4			1-11/16	CL-15A-CS						
CLM-19-SCA	M16	5	1-1/2	7/8	2-3/16	CL-16-CS	CLM-5-CR	CL-11-SPG	CLM-62-EB	CLM-14-CH CLM-1632-CLVP	CL-3-FW	CL-4-SW
CLM-21-SCA		6			2-11/16	CL-18-CS						
CLM-22-SCA		6-1/2			2-15/16	CL-18A-CS						
CLM-24-SCA	M20	6	1-3/4	1	2-5/8	CL-19-CS	CLM-8-CR	CL-13-SPG	CLM-76A-EB	CLM-15-CH CLM-2038-CLVP	CLM-10-FW	CLM-20-SW
CLM-26-SCA		7			3-1/8	CL-21-CS						
CLM-28-SCA		8			3-5/8	CL-22A-CS						

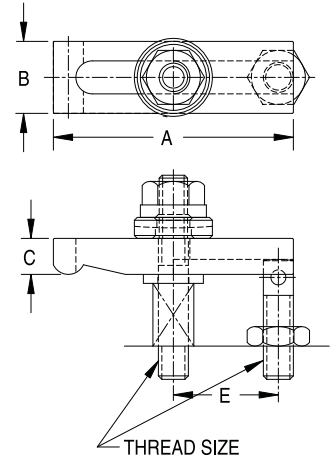
SLOTTED-HEEL CLAMP STRAPS

INFO+: SEE PAGES 110, 237, 282-286, 289-290, 299-300 FOR MATERIAL SPECIFICATIONS

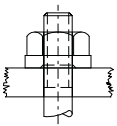


**Stainless Steel
(Miniature)**

A complete clamp-strap assembly using (INFO+) a stainless steel slotted-heel strap from page 237. Select any of the four nut/knob combinations shown below by adding the appropriate suffix to the part number. Fixture Stud has a thread-locking interference thread at the bottom end to install permanently in a fixture plate.

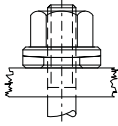


7



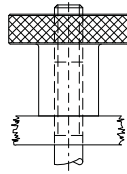
Flange Nut

CL-xxxx-1



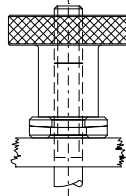
Spherical Nut and Washer

CL-xxxx-2



Knurled Knob

CL-xxxx-3



Knurled Knob and Spherical Washer

CL-xxxx-4

ASSEMBLIES — STAINLESS, MINIATURE (INCH)

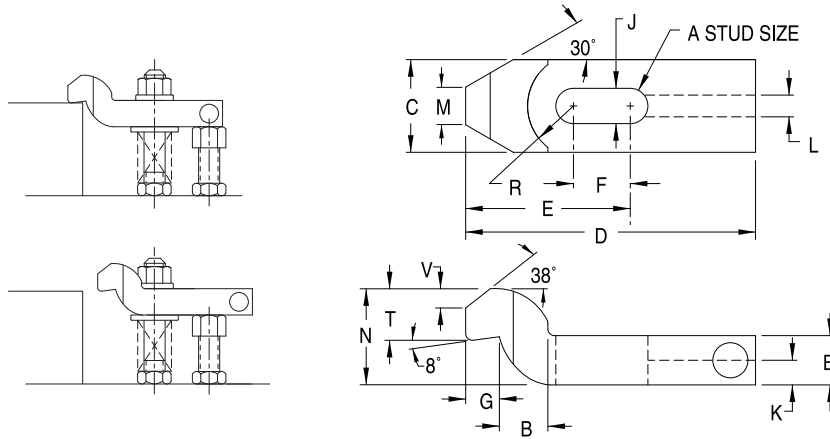
PART NO.	THREAD SIZE	A	B	C	E	CLAMP STRAP	CLAMP REST	SPRING	FLAT WASHER	STUD	JAM NUT
CL-2715-x	#10-32	1-1/2	1/2	1/4	21/32	CL-17215	CL-13410	CL-2430.7	CL-254	CL-11415	CL-3-FJN-S
CL-2720-x		2			29/32	CL-17220					
CL-2820-x	1/4-20	2	5/8	3/8	7/8	CL-17320	CL-13515	CL-2440.7	CL-255	CL-11520	CL-4-JN-S
CL-2825-x		2-1/2			1-1/8	CL-17325					
CL-2920-x	5/16-18	2	3/4	3/8	27/32	CL-17420	CL-13612	CL-2450.7	CL-256	CL-11620	CL-5-JN-S
CL-2925-x		2-1/2			1-3/32	CL-17425					
CL-2930-x	3/8-16	3	1	1/2	1-11/32	CL-17430	CL-13717	CL-2461.0	CL-257	CL-11725	CL-6-JN-S
CL-3030-x		3			1-5/16	CL-17530					
CL-3040-x		4			1-13/16	CL-17540					

SLOTTED-HEEL GOOSENECK CLAMP STRAPS

STRAP: ALLOY STEEL, BLACK OXIDE FINISH
INFO+: SEE PAGES 90, 282-286, 289-290, 298-300 FOR OTHER MATERIAL SPECIFICATIONS



Gooseneck version of our Slotted-Heel Clamp Straps. This design recesses the clamping nut to provide a low overall profile. Slotted-Heel Clamp Straps have a slot underneath to slide straight back for clear loading. An indentation at the rear of each side provides a secure finger grip for retracting the clamp. Available to fit 1/2-13 studs (M12 in metric).

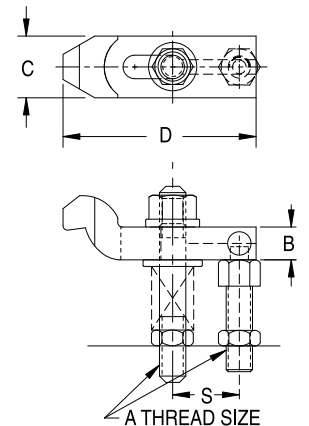
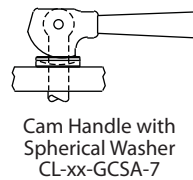
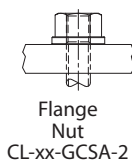


STRAPS – STEEL

PART NO.	A	B	C	D	E	F	G	J	K	L	M	N	R	T	V
CL-85-GCS	1/2 OR M12	.79	1.57	4.92	2.87	1.02	.63	.55	.34	.38	.79	1.57	.79	.90	.34



Slotted-Heel Gooseneck Clamp Straps are also available as a complete assembly. Select any of the five nut/knob combinations shown below by adding the appropriate suffix to the part number. Other lengths of Clamping Studs and Clamp Rests are available (order pieces individually).



ASSEMBLIES – STEEL (INCH)

PART NO.	A	B	C	D	S	CLAMP STRAP	CLAMP REST	SPRING	FLAT WASHER	STUD	JAM NUT
CL-85-GCSA-X	1/2 OR M12	.79	1.57	5.91	2.75	CL-85-GCS	CL-4-CR	CL-9-SPG	CL-2-FW	CL-1/2-13X4.00-STUD	CL-8-JN

ASSEMBLIES – STEEL (METRIC)

PART NO.	A	B	C	D	S	CLAMP STRAP	CLAMP REST	SPRING	FLAT WASHER	STUD	JAM NUT
CLM-85-GCSA-X	1/2 OR M12	.79	1.57	5.91	2.75	CL-85-GCS	CLM-4-CR	CL-9-SPG	CL-2-FW	CLM-12X95-STUD	CLM-12-JN

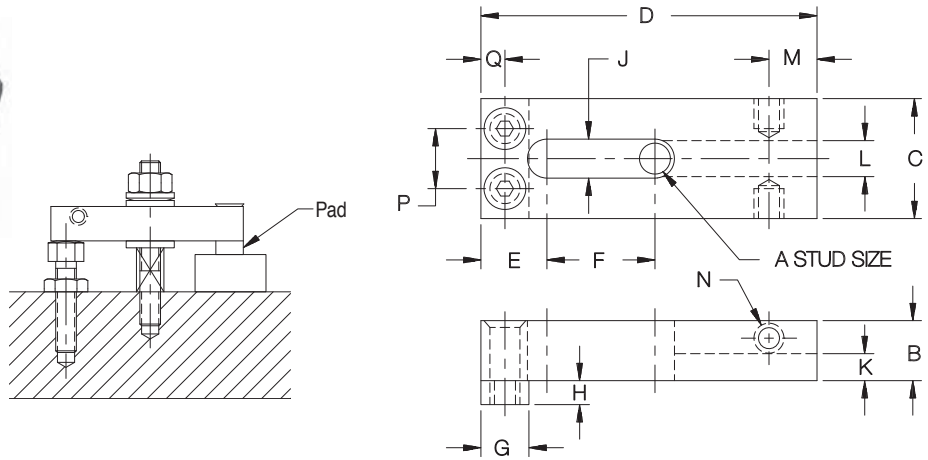
SLOTTED-HEEL PADDED CLAMP STRAPS

STRAP & PAD: 1018 STEEL, CARBURIZED-HARDENED, BLACK OXIDE FINISH
INFO+: SEE PAGES 90, 282-286, 289, 298-300 FOR OTHER MATERIAL SPECIFICATIONS



Steel

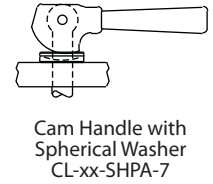
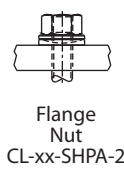
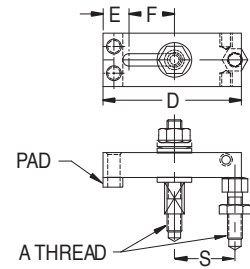
Slotted-Heel Clamp Strap that features a replaceable clamping pad attached with two screws (furnished). Clamp Strap also easily accepts custom pads or other attachments. Rear end is tapped on either side for a Finger Pin (**INFO+** page 125). Available for 1/4-20 (M6) to 1/2-13 (M12) stud sizes, most in a choice of several strap lengths.



STRAPS — STEEL WITH STEEL PAD

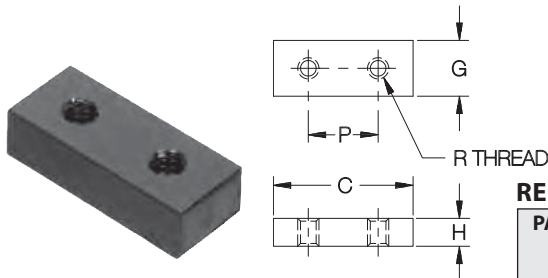
PART NO.	A	B	C	D	E	F	G	H	J	K	L	M	N	P	Q
CL-165-CS	1/4-20 or M6	3/8	5/8	2	3/8	5/8	1/4	1/8	9/32	5/32	1/4			11/32	9/64
CL-166-CS	3/8-16 or M10	5/8	1-1/4	3-1/2	11/16	1-1/8	1/2	1/4	27/64	9/32	3/8	1/2	5/16-18	5/8	1/4
CL-168-CS				4-1/2		1-5/8									
CL-169-CS	1/2-13 or M12	3/4	1-1/2	4-1/2	7/8	1-1/4	5/8	3/8	17/32	9/32	3/8	1/2	5/16-18	3/4	5/16
CL-170A-CS				6		2									

7



ASSEMBLIES — STEEL WITH STEEL PAD (INCH)

PART NO.	A	D	E	F	S	CLAMP STRAP	CLAMP REST	SPRING	FLAT WASHER	CLAMPING STUD
CL-165-SHPA-x	1/4-20	2	3/8	5/8	7/8	CL-165-CS	CL-1-CR	CL-5-SPG	CL-7-FW	CL-1/4-20x2.50-STUD
CL-166-SHPA-x	3/8-16	3-1/2	11/16	1-1/8	1-7/16	CL-166-CS	CL-2-CR	CL-7-SPG	CL-1-FW	CL-3/8-16x3.00-STUD
CL-168-SHPA-x		4-1/2		1-5/8	1-15/16	CL-168-CS				
CL-169-SHPA-x	1/2-13	4-1/2	7/8	1-1/4	2-1/8	CL-169-CS	CL-4-CR	CL-9-SPG	CL-2-FW	CL-1/2-13x4.00-STUD
CL-170A-SHPA-x		6		2	2-7/8	CL-170A-CS				



REPLACEMENT PADS

PART NO. STEEL PAD	PART NO. PLASTIC PAD	PART NO. BRASS PAD	STUD SIZE	C	G	H	P	R
CL-40-CP	CL-20-CP	CL-30-CP	1/4-20 or M6	5/8	1/4	1/8	11/32	#5-40
CL-42-CP	CL-22-CP	CL-32-CP	3/8-16 or M10	1-1/4	1/2	1/4	5/8	#10-24
CL-43-CP	CL-23-CP	CL-33-CP	1/2-13 or M12	1-1/2	5/8	3/8	3/4	1/4-20

Replacement or optional pads for the Clamp Straps shown above. Available in steel, reinforced plastic, or brass.

TAPPED-HEEL CLAMP STRAPS

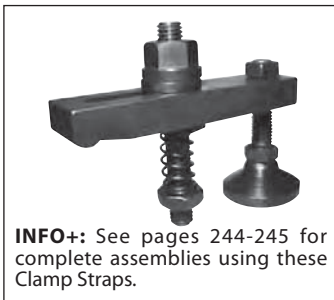
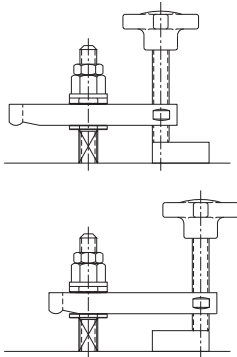
STEEL: 1018, CARBURIZED-HARDENED, BLACK OXIDE FINISH
STAINLESS STEEL: 300 SERIES



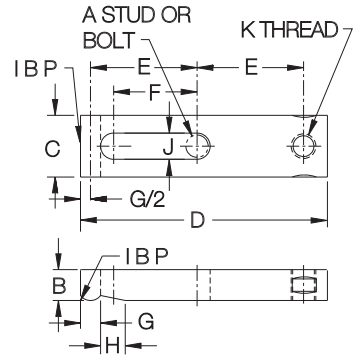
**Steel and
Stainless Steel**

Popular Clamp Strap with a tapped heel that accepts a clamping screw or rear support. Often used with a Guide Block to allow sliding the strap straight back for clear loading. Two drill spots on the sides provide a secure grip for retracting the clamp. **INFO+:** Can also be used with a Stud Leveling Foot as a rear support (see page 186).

Available in steel for 1/4-20 to 3/4-10 stud sizes (M6 to M20 in metric), or stainless steel for #10-32 to 3/8-16 stud sizes. Each size is available in several strap lengths.



INFO+: See pages 244-245 for complete assemblies using these Clamp Straps.



STRAPS — STEEL (INCH)

PART NO.	A	B	C	D	E	F	G	H	J	K
CL-61-CS	1/4-20	3/8	5/8	2	13/16	9/16	1/4	11/32	9/32	1/4-20
CL-62-CS				2-1/2	1-1/16	13/16				
CL-63-CS				3	1-7/32	13/16				
CL-65-CS	3/8-16	1/2	1-1/8	4	1-23/32	1-5/16	13/32	1/2	27/64	3/8-16
CL-67-CS				5	2-7/32	1-13/16				
CL-69-CS				6	2-23/32	2-5/16				
CL-70-CS	1/2-13	5/8	1-1/4	3-1/2	1-13/32	15/16	13/32	1/2	17/32	1/2-13
CL-71-CS				4	1-21/32	1-3/16				
CL-72-CS				4-1/2	1-29/32	1-7/16				
CL-73-CS				5	2-5/32	1-11/16				
CL-74-CS				5-1/2	2-13/32	1-15/16				
CL-75-CS				6	2-21/32	2-3/16				
CL-81-CS	5/8-11	7/8	1-1/2	4	1-9/16	1	1/2	19/32	21/32	5/8-11
CL-77-CS				4-1/2	1-13/16	1-1/4				
CL-83-CS				5	2-1/16	1-1/2				
CL-85-CS				6	2-9/16	2				
CL-86-CS				6-1/2	2-13/16	2-1/4				
CL-88-CS	3/4-10	1	1-3/4	6	2-1/2	1-29/32	1/2	19/32	13/16	3/4-10
CL-90-CS				7	3	2-13/32				
CL-92-CS				8	3-1/2	2-29/32				

STRAPS — STEEL (METRIC)

CLM-61-CS	M6	3/8	5/8	2	13/16	9/16	1/4	11/32	9/32	M6
CLM-62-CS	M10	1/2	1-1/8	2-1/2	1-1/16	13/16	13/32	1/2	27/64	M10
CLM-63-CS				3	1-7/32	13/16				
CLM-65-CS				4	1-23/32	1-5/16				
CLM-67-CS	M12	5/8	1-1/4	5	2-7/32	1-13/16	13/32	1/2	17/32	M12
CLM-70-CS				3-1/2	1-13/32	15/16				
CLM-71-CS				4	1-21/32	1-3/16				
CLM-72-CS				4-1/2	1-29/32	1-7/16				
CLM-73-CS				5	2-5/32	1-11/16				
CLM-75-CS				6	2-21/32	2-3/16				
CLM-81-CS	M16	7/8	1-1/2	4	1-9/16	1	1/2	19/32	21/32	M16
CLM-83-CS				5	2-1/16	1-1/2				
CLM-85-CS				6	2-9/16	2				
CLM-88-CS	M20	1	1-3/4	6	2-1/2	1-29/32	1/2	19/32	13/16	M20
CLM-92-CS				8	3-1/2	2-29/32				

STRAPS — STAINLESS, MINIATURE (INCH)

CL-18215	#10-32	1/4	1/2	1-1/2	19/32	13/32	3/16	5/16	7/32	#10-32
CL-18220	1/4-20	3/8	5/8	2	27/32	21/32	1/4	3/8	9/32	1/4-20
CL-18320				2	13/16	19/32				
CL-18325				2-1/2	1-1/16	27/32				
CL-18420	5/16-18	3/8	3/4	2	3/4	1/2	5/16	7/16	11/32	5/16-18
CL-18425				2-1/2	1	3/4				
CL-18430				3	1-1/4	1				
CL-18530	3/8-16	1/2	1	3	1-7/32	7/8	3/8	1/2	27/64	3/8-16
CL-18535				3-1/2	1-15/32	1-1/8				
CL-18540				4	1-23/32	1-3/8				

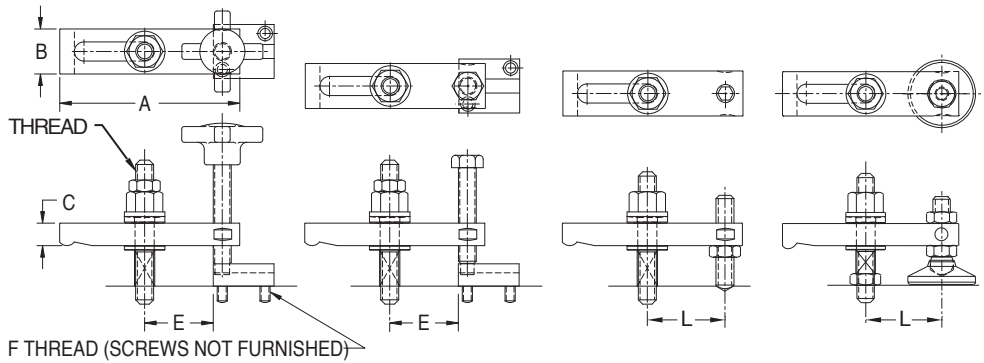
TAPPED-HEEL CLAMP STRAPS

INFO+: SEE PAGES 90, 243, 282-286, 289-290, 300 FOR MATERIAL SPECIFICATION

A complete clamp-strap assembly using (INFO+) a tapped-heel strap from page 243. Select one of two clamping screws or a rear Clamp Rest, as shown below, by adding the appropriate suffix to the part number.



Steel



Hand-Knob Clamping Screw
CL-xx-THA-HK

Hex-Head Clamping Screw
CL-xx-THA-HH

Oval-Point Clamp Rest
CL-xx-THA-OP

Leveling Foot
CL-xx-THA-LF

ASSEMBLIES — STEEL (INCH)

PART NO.	THREAD SIZE	A	B	C	E	F	L	CLAMP STRAP	GUIDE BLOCK*	STUD & SPRING	NUTS	FLAT WASHER
CL-1-THA-xx	1/4-20	2	5/8	3/8	11/16	#6-32	13/16	CL-61-CS	CL-2-GB	CL-1/4-20x2.00-STUD CL-5-SPG	CL-4-JN CL-1-SNW	CL-7-FW
CL-2-THA-xx		2-1/2			15/16		1-1/16	CL-62-CS				
CL-3-THA-xx	3/8-16	3	1-1/8	1/2	1-1/32	#10-32	1-7/32	CL-63-CS	CL-4-GB	CL-3/8-16x3.00-STUD CL-7-SPG	CL-6-JN CL-2-SNW	CL-1-FW
CL-5-THA-xx		4			1-17/32		1-23/32	CL-65-CS				
CL-7-THA-xx		5			2-1/32		2-7/32	CL-67-CS				
CL-9-THA-xx		6			2-17/32		2-23/32	CL-69-CS				
CL-10-THA-xx	1/2-13	3-1/2	1-1/4	5/8	1-5/32	1/4-20	1-13/32	CL-70-CS	CL-6-GB	CL-1/2-13x4.00-STUD CL-9-SPG	CL-8-JN CL-3-SNW	CL-2-FW
CL-11-THA-xx		4			1-13/32		1-21/32	CL-71-CS				
CL-12-THA-xx		4-1/2			1-21/32		1-29/32	CL-72-CS				
CL-13-THA-xx		5			1-29/32		2-5/32	CL-73-CS				
CL-14-THA-xx		5-1/2			2-5/32		2-13/32	CL-74-CS				
CL-15-THA-xx	6	2-13/32	2-21/32	CL-75-CS								
CL-21-THA-xx	5/8-11	4	1-1/2	7/8	1-1/4	1/4-20	1-9/16	CL-81-CS	CL-8-GB	CL-5/8-11x4.00-STUD CL-11-SPG	CL-10-JN CL-4-SNW	CL-3-FW
CL-17-THA-xx		4-1/2			1-1/2		1-13/16	CL-77-CS				
CL-23-THA-xx		5			1-3/4		2-1/16	CL-83-CS				
CL-25-THA-xx		6			2-1/4		2-9/16	CL-85-CS				
CL-26-THA-xx		6-1/2			2-1/2		2-13/16	CL-86-CS				
CL-28-THA-xx	3/4-10	6	1-3/4	1	2-1/8	1/4-20	2-1/2	CL-88-CS	CL-11-GB	CL-3/4-10x5.00-STUD CL-13-SPG	CL-12-JN CL-5-SNW	CL-4-FW
CL-30-THA-xx		7			2-5/8		3	CL-90-CS				
CL-32-THA-xx		8			3-1/8		3-1/2	CL-92-CS				

ASSEMBLIES — STEEL (METRIC)

PART NO.	THREAD SIZE	A	B	C	E	F	L	CLAMP STRAP	GUIDE BLOCK*	STUD & SPRING	NUTS	FLAT WASHER
CLM-1-THA-xx	M6	2	5/8	3/8	11/16	M4	13/16	CLM-61-CS	CL-2-GB	CLM-6x65-STUD CL-5-SPG	CLM-6-JN CLM-6-SNW	CL-7-FW
CLM-2-THA-xx		2-1/2			15/16		1-1/16	CLM-62-CS				
CLM-3-THA-xx	M10	3	1-1/8	1/2	1-1/32	M5	1-1/16	CLM-63-CS	CL-4-GB	CLM-10x80-STUD CL-7-SPG	CLM-10-JN CLM-10-SNW	CL-1-FW
CLM-5-THA-xx		4			1-17/32		1-23/32	CLM-65-CS				
CLM-7-THA-xx		5			2-1/32		2-7/32	CLM-67-CS				
CLM-10-THA-xx		3-1/2			1-5/32		1-13/32	CLM-70-CS				
CLM-11-THA-xx	M12	4	1-1/4	5/8	1-13/32	M6	1-21/32	CLM-71-CS	CL-6-GB	CLM-12x95-STUD CL-9-SPG	CLM-12-JN CLM-12-SNW	CL-2-FW
CLM-12-THA-xx		4-1/2			1-21/32		1-29/32	CLM-72-CS				
CLM-13-THA-xx		5			1-29/32		2-5/32	CLM-73-CS				
CLM-15-THA-xx		6			2-13/32		2-21/32	CLM-75-CS				
CLM-21-THA-xx		4			1-1/4		1-9/16	CLM-81-CS				
CLM-23-THA-xx	M16	5	1-1/2	7/8	1-3/4	M6	2-1/16	CLM-83-CS	CL-8-GB	CLM-16x110-STUD CL-11-SPG	CLM-16-JN CLM-16-SNW	CL-3-FW
CLM-25-THA-xx		6			2-1/4		2-9/16	CLM-85-CS				
CLM-28-THA-xx		6			2-1/8		2-1/2	CLM-88-CS				
CLM-30-THA-xx	M20	7	1-3/4	1	2-5/8	M6	3	CLM-90-CS	CL-11-GB	CLM-20x125-STUD CL-13-SPG	CLM-20-JN CLM-20-SNW	CLM-10-FW
CLM-32-THA-xx		8			3-1/8		3-1/2	CLM-92-CS				

* Not included on oval-point version

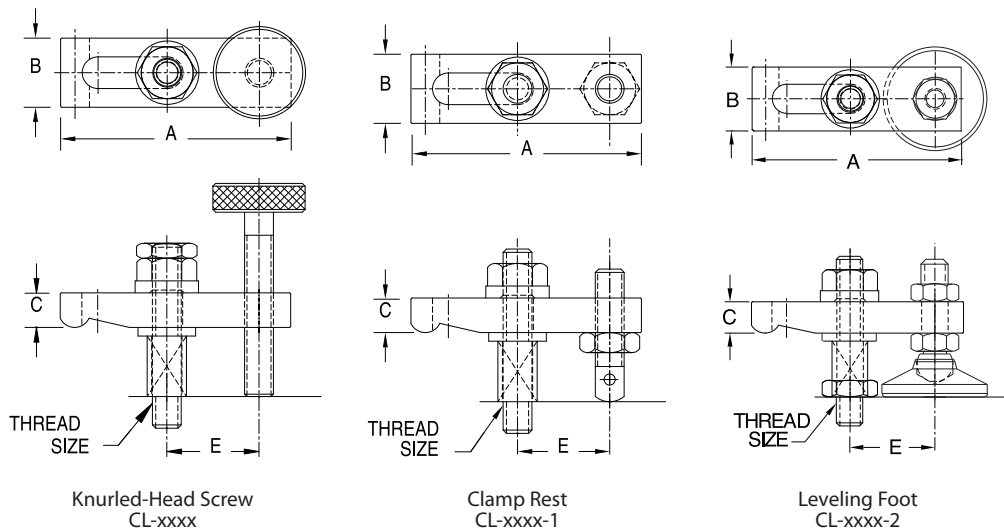
TAPPED-HEEL CLAMP STRAPS

INFO+: 107, 187, 245, 284, 286, 289-290, 299-300 SEE PAGES FOR MATERIAL SPECIFICATIONS



**Stainless Steel
(Miniature)**

A complete clamp-strap assembly using (INFO+) a stainless steel Tapped-Heel Strap from page 243. Fixture Stud has a thread-locking interference thread at the bottom end to install permanently in a fixture plate. Standard assembly includes a Knurled-Head Screw. To order with a rear Clamp Rest instead, add "-1" to the part number (example: CL-3115-1). To order with a Leveling Foot instead, add "-2" to the part number (example: CL-3115-2).



ASSEMBLIES — STAINLESS, MINIATURE (INCH)

PART NO. WITH KNURLED HEAD SCREW	THREAD SIZE	A	B	C	E	CLAMP STRAP	KNURLED HEAD SCREW	CLAMP REST	LEVELING FOOT	SPRING	FLAT WASHER	STUD	FLANGE NUT
CL-3115	#10-32	1-1/2	1/2	1/4	19/32	CL-18215	CL-23212	CL-13410	CL-3-SLF-S	CL-2430.7	CL-254	CL-11415	CL-124
CL-3120		2			27/32	CL-18220							
CL-3220	1/4-20	2	5/8	3/8	13/16	CL-18320	CL-23515	CL-13515	CL-4-SLF-S	CL-2440.7	CL-255	CL-11520	CL-125
CL-3225		2-1/2			1-1/16	CL-18325							
CL-3320	5/16-18	2	3/4	3/8	3/4	CL-18420	CL-23620	CL-13612	CL-5-SLF-S	CL-2450.7	CL-256	CL-11620	CL-126
CL-3325		2-1/2			1	CL-18425							
CL-3330		3			1-1/4	CL-18430							
CL-3430	3/8-16	3	1	1/2	1-7/32	CL-18530	CL-23820	CL-13717	CL-6-SLF-S	CL-2461.0	CL-257	CL-11725	CL-127
CL-3435		3-1/2			1-15/32	CL-18535							
CL-3440		4			1-23/32	CL-18540							

TAPERED-NOSE CLAMP STRAPS

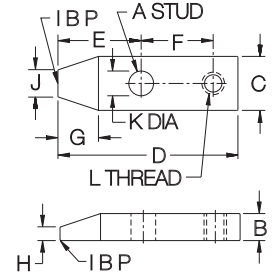
STRAP: 300-SERIES STAINLESS STEEL

INFO+: SEE PAGES 105, 284, 286, 289-290, 299-300 FOR OTHER MATERIAL SPECIFICATIONS



**Stainless Steel
(Miniature)**

Tapped-Heel Clamp Strap with a tapered nose for clamping in tight spaces. Available in stainless steel for #10-32 to 3/8-16 stud sizes.



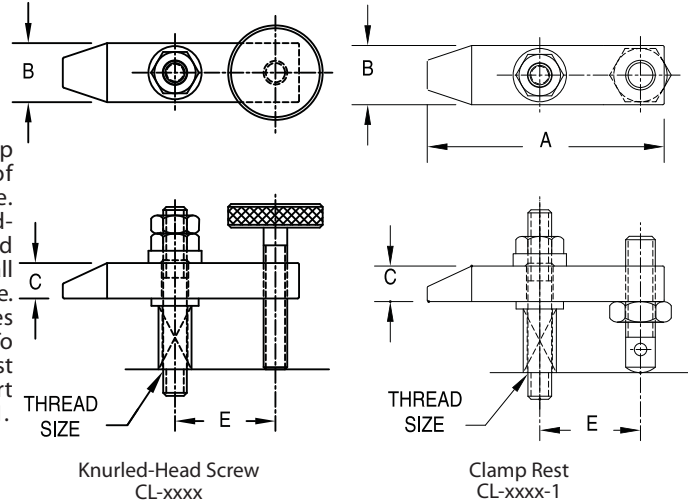
STRAPS — STAINLESS, MINIATURE (INCH)

PART NO.	A	B	C	D	E	F	G	H	J	K	L
CL-20215	#10-32	1/4	1/2	1-1/2	11/16	19/32	3/8	1/8	1/4	7/32	#10-32
CL-20220				2	15/16	27/32					
CL-20320	1/4-20	3/8	5/8	2	15/16	13/16	15/32	5/32	5/16	9/32	1/4-20
CL-20325				2-1/2	1-3/16	1-1/16					
CL-20425	5/16-18	3/8	3/4	2-1/2	1-5/32	1	9/16	3/16	3/8	11/32	5/16-18
CL-20535	3/8-16	1/2	1	3-1/2	1-21/32	1-15/32	3/4	1/4	1/2	27/64	3/8-16



**Stainless Steel
(Miniature)**

A complete clamp-strap assembly using one of the straps shown above. Fixture Stud has a thread-locking interference thread at the bottom end to install permanently in a fixture plate. Standard assembly includes a Knurled-Head Screw. To order with a rear Clamp Rest instead, add "-1" to the part number. Example: CL-3915-1.



Knurled-Head Screw
CL-xxxx

Clamp Rest
CL-xxxx-1

ASSEMBLIES — STAINLESS, MINIATURE (INCH)

PART NO. WITH KNURLED HEAD SCREW	PART NO. WITH CLAMP REST	THREAD SIZE	A	B	C	E	CLAMP STRAP	KNURLED HEAD SCREW	CLAMP REST	SPRING	FLAT WASHER	STUD	FLANGE NUT
CL-3915	CL-3915-1	#10-32	1-1/2	1/2	1/4	19/32	CL-20215	CL-23212	CL-13410	CL-2430.7	CL-254	CL-11415	CL-124
CL-3920	CL-3920-1		2			27/32	CL-20220						
CL-4020	CL-4020-1	1/4-20	2	5/8	3/8	13/16	CL-20320	CL-23515	CL-13515	CL-2440.7	CL-255	CL-11520	CL-125
CL-4025	CL-4025-1		2-1/2			1-1/16	CL-20325						
CL-4125	CL-4125-1	5/16-18	2-1/2	3/4	3/8	1	CL-20425	CL-23620	CL-13612	CL-2450.7	CL-256	CL-11620	CL-126
CL-4235	CL-4235-1	3/8-16	3-1/2	1	1/2	1-15/32	CL-20535	CL-23820	CL-13717	CL-2461.0	CL-257	CL-11725	CL-127

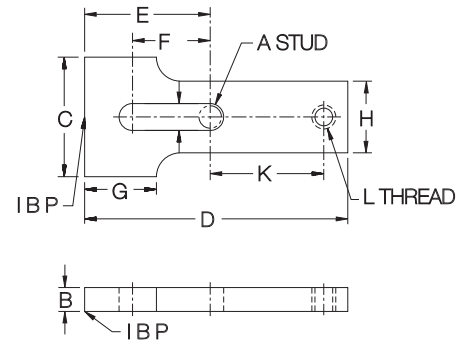
WIDE-NOSE CLAMP STRAPS

STRAP: 300-SERIES STAINLESS STEEL
INFO+: SEE PAGES 105, 187, 284, 286, 289-290, 299-300 FOR OTHER MATERIAL SPECIFICATIONS



**Stainless Steel
(Miniature)**

Tapped-Heel Clamp Strap with an extra-wide nose. Available in stainless steel for 1/4-20 studs.



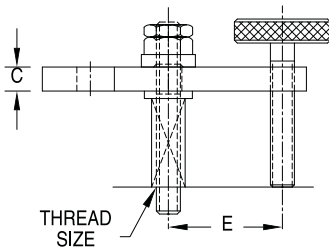
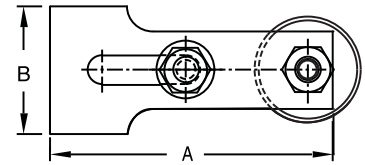
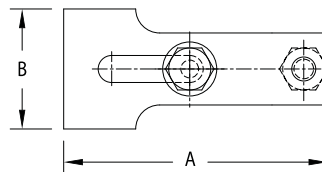
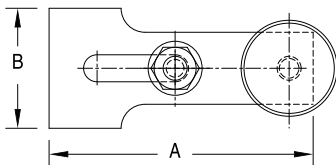
**Stainless Steel
(Miniature)**

STRAPS — STAINLESS, MINIATURE (INCH)

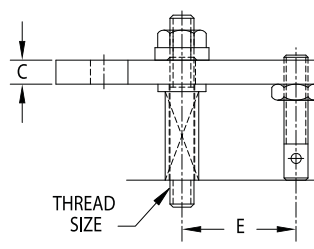
PART NO.	A	B	C	D	E	F	G	H	J	K	L
CL-22227	1/4-20	1/4	1-1/4	2-3/4	1-5/16	13/16	3/4	3/4	9/32	1-3/16	1/4-20

A complete Clamp-Strap assembly using the Clamp Strap shown above. Fixture stud has a thread-locking interference thread at the bottom end to install permanently in a fixture plate. Standard assembly includes a Knurled-Head Screw. To order with a rear Clamp Rest instead, add "-1" to the part number (CL-44227-1). To order with a levelling foot instead, add "-2" to the part number (CL-44227-2).

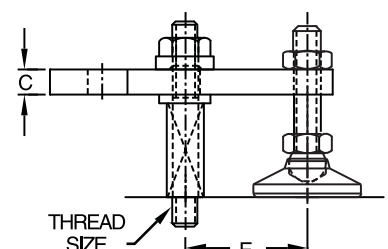
7



Knurled-Head Screw
CL-xxxx



Clamp Rest
CL-xxxx-1



Levelling Foot
CL-xxxx-2

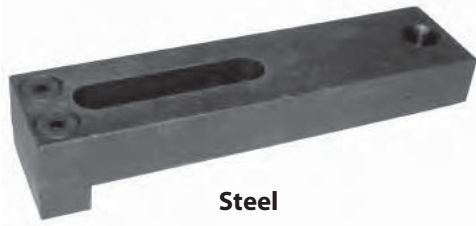
ASSEMBLIES — STAINLESS, MINIATURE (INCH)

PART NO. WITH KNURLED HEAD SCREW	THREAD SIZE	A	B	C	E	CLAMP STRAP	KNURLED HEAD SCREW	CLAMP REST	LEVELING FOOT	SPRING	FLAT WASHER	STUD	FLANGE NUT
CL-44227	1/4-20	2-3/4	1-1/4	1/4	1-3/16	CL-22227	CL-23515	CL-13515	CL-13515	CL-2440.7	CL-255	CL-11520	CL-125

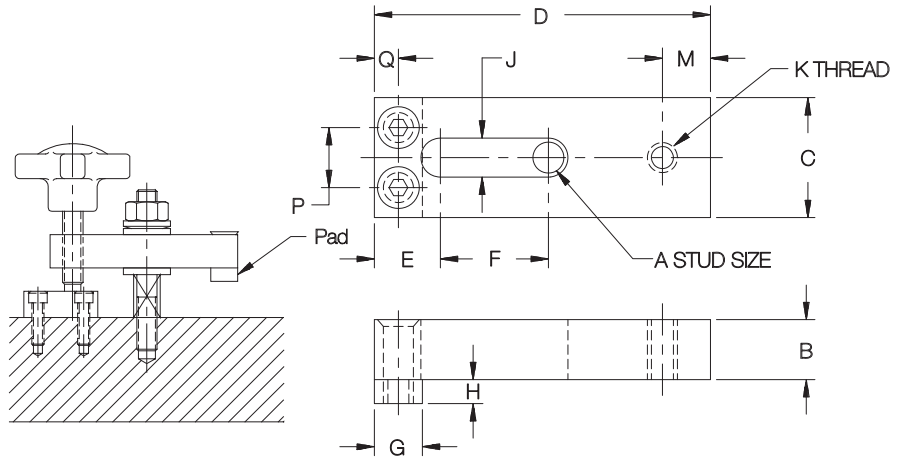
TAPPED-HEEL PADDED CLAMP STRAPS

STRAP & PAD: 1018 STEEL, CARBURIZED-HARDENED, BLACK OXIDE FINISH

INFO+: SEE PAGES 90, 187, 283, 285-286, 289, 300 FOR OTHER MATERIAL SPECIFICATIONS



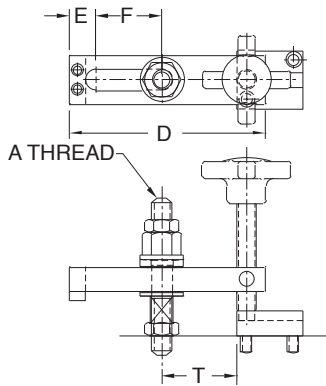
Steel



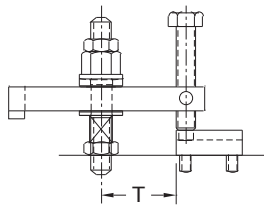
Tapped-Heel Clamp Strap that features a replaceable clamping pad attached with two screws (furnished). Clamp Strap also easily accepts custom pads or other attachments. Available for 1/4-20 to 1/2-13 stud sizes, most in a choice of several strap lengths.

STRAPS — STEEL WITH STEEL PAD

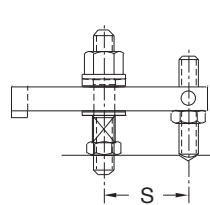
PART NO.	A	B	C	D	E	F	G	H	J	K	M	P	Q
CL-157-CS	1/4-20	3/8	5/8	2	3/8	5/8	1/4	1/8	9/32	1/4-20	7/32	11/32	9/64
CL-158A-CS	5/16-18	1/2	7/8	2-1/2	9/16	3/4	3/8	3/16	11/32	5/16-18	1/4	1/2	3/16
CL-159A-CS				3-1/2		1-1/4							
CL-160A-CS	3/8-16	5/8	1-1/4	3-1/2	11/16	1-1/8	1/2	1/4	27/64	3/8-16	3/8	5/8	1/4
CL-162A-CS				4-1/2		1-5/8							
CL-163A-CS	1/2-13	3/4	1-1/2	4-1/2	7/8	1-1/4	5/8	3/8	17/32	1/2-13	7/16	3/4	5/16
CL-164A-CS				6		2							



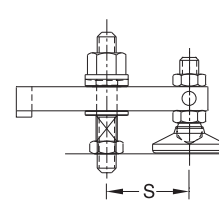
Hand-Knob Clamping Screw
CL-xx-THPA-HK



Hex-Head Clamping Screw
CL-xx-THPA-HH



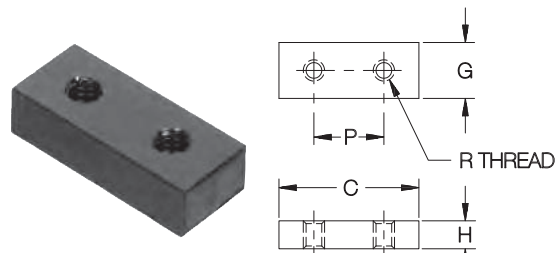
Oval-Point Clamp Rest
CL-xx-THPA-OP



Leveling Foot
CL-xx-THPA-LF

ASSEMBLIES — STEEL WITH STEEL PAD (INCH)

PART NO.	A	D	E	F	S	T	CLAMP STRAP	GUIDE BLOCK	SPRING	CLAMPING STUD	NUTS	FLAT WASHER
CL-157-THPA-xx	1/4-20	2	3/8	5/8	25/32	21/32	CL-157-CS	CL-2-GB	CL-5-SPG	CL-1/4-20x2.00-STUD	CL-4-JN CL-1-SNW	CL-7-FW
CL-160A-THPA-xx	3/8-16	3-1/2	11/16	1-1/8	1-5/16	1-1/8	CL-160A-CS	CL-4-GB	CL-7-SPG	CL-3/8-16x3.00-STUD	CL-6-JN CL-2-SNW	CL-1-FW
CL-162A-THPA-xx		4-1/2		1-5/8	1-13/16	1-5/8	CL-162A-CS					
CL-163A-THPA-xx	1/2-13	4-1/2	7/8	1-1/4	1-15/16	1-11/16	CL-163A-CS	CL-8-GB	CL-9-SPG	CL-1/2-13x4.00-STUD	CL-8-JN CL-3-SNW	CL-2-FW
CL-164A-THPA-xx		6		2	2-11/16	2-7/16	CL-164A-CS					



Replacement or optional pads for the Clamp Straps shown above. Available in steel, reinforced plastic, or brass.

REPLACEMENT PADS

PART NO. STEEL PAD	PART NO. PLASTIC PAD	PART NO. BRASS PAD	STUD SIZE	C	G	H	P	R
CL-40-CP	CL-20-CP	CL-30-CP	1/4-20	5/8	1/4	1/8	11/32	#5-40
CL-41-CP	CL-21-CP	CL-31-CP	5/16-18	7/8	3/8	3/16	1/2	#8-32
CL-42-CP	CL-22-CP	CL-32-CP	3/8-16	1-1/4	1/2	1/4	5/8	#10-24
CL-43-CP	CL-23-CP	CL-33-CP	1/2-13	1-1/2	5/8	3/8	3/4	1/4-20

FORGED CLAMP STRAPS

FORGED STEEL, 70,000 PSI YIELD STRENGTH, BLACK OXIDE FINISH



**Straight
Locator Nose**



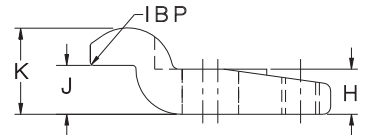
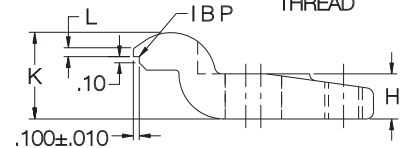
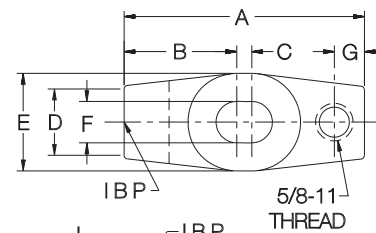
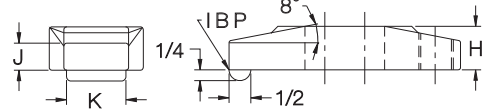
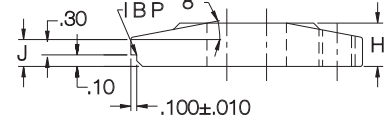
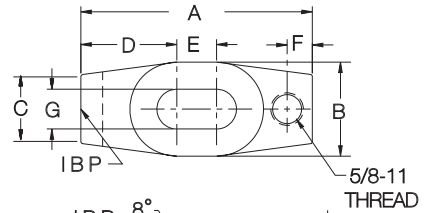
**Straight
Plain Nose**



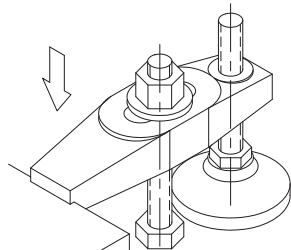
**Gooseneck
Locator Nose**



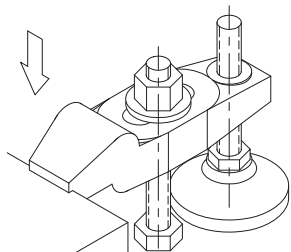
**Gooseneck
Plain Nose**



High-strength Tapped-Heel Clamp Strap available in straight or gooseneck design, with locator nose or plain nose. Locator-nose version is ideal for workpieces with machined sides. The accurately machined notch ensures precise, repeatable clamp location for increased machining clearance. **INFO+**: For rear Clamp Rests, see Stud Leveling Feet on page 186.



**Straight
Locator Nose
Clamp**



**Gooseneck
Locator Nose
Clamp**

STRAIGHT — LOCATOR NOSE

PART NO.	STUD SIZE	A	B	C	D	E	F	G	H	J	K
CL-4-FSCS	5/8-11	4	1-5/8	1-3/16	1-21/32	11/16	7/16	11/16	3/4	1/2	
CL-6-FSCS	5/8-11	6	1-3/4	1-1/4	2-5/16	1-3/8	9/16	11/16	7/8	9/16	
CL-8-FSCS	3/4-10	8	2-1/8	1-1/2	3	2	11/16	13/16	1-1/8	3/4	
CL-10-FSCS	7/8-9	10	2-1/2	1-3/4	3-5/8	2-3/4	13/16	15/16	1-3/8	15/16	

STRAIGHT — PLAIN NOSE

PART NO.	STUD SIZE	A	B	C	D	E	F	G	H	J	K	L
CL-4-FRCS	5/8-11	4	1-5/8	1-3/16	1-21/32	11/16	7/16	11/16	3/4	1/2		1
CL-6-FRCS	5/8-11	6	1-3/4	1-1/4	2-5/16	1-3/8	9/16	11/16	7/8	9/16		1
CL-8-FRCS	3/4-10	8	2-1/8	1-1/2	3	2	11/16	13/16	1-1/8	3/4	1-1/4	
CL-10-FRCS	7/8-9	10	2-1/2	1-3/4	3-5/8	2-3/4	13/16	15/16	1-3/8	15/16	1-1/2	

GOOSENECK — LOCATOR NOSE

PART NO.	STUD SIZE	A	B	C	D	E	F	G	H	J	K	L
CL-40-FGNS	5/8-11	4	1-31/32	3/16	1-3/16	1-3/4	11/16	1/2	3/4	3/4	1-7/16	.15
CL-60-FGNS	5/8-11	6	2-17/32	1	1-1/4	1-3/4	11/16	5/8	7/8	15/16	1-9/16	.25
CL-80-FGNS	3/4-10	8	3-9/32	1-5/8	1-9/16	2-1/4	13/16	1	1-1/8	1-1/8	2	.35

GOOSENECK — PLAIN NOSE

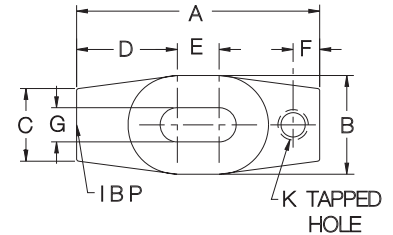
PART NO.	STUD SIZE	A	B	C	D	E	F	G	H	J	K	L
CL-4-FGNS	5/8-11	4	1-31/32	3/16	1-3/16	1-3/4	11/16	1/2	3/4	3/4	1-7/16	
CL-6-FGNS	5/8-11	6	2-17/32	1	1-1/4	1-3/4	11/16	5/8	7/8	15/16	1-9/16	
CL-8-FGNS	3/4-10	8	3-9/32	1-5/8	1-9/16	2-1/8	13/16	1	1-1/8	1-1/8	2	

ALUMINUM CLAMP STRAPS

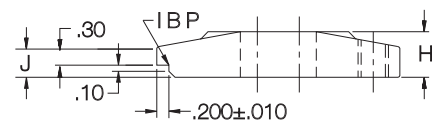
TENZALOY ALUMINUM ALLOY, 25,000 PSI YIELD STRENGTH, BRINELL HARDNESS-74



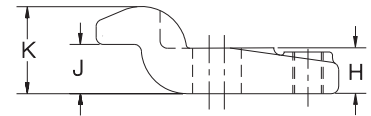
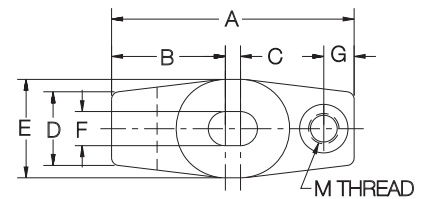
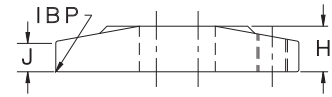
**Straight
Locator Nose**



**Straight
Plain Nose**

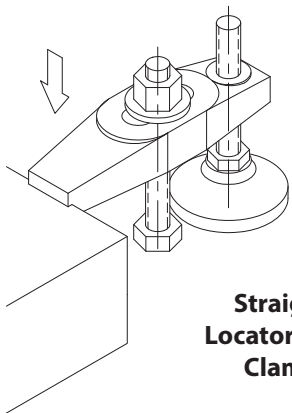


**Gooseneck
Plain Nose**



Soft Clamp Strap made of high-strength aluminum alloy. This tapped-heel clamp is available in straight or gooseneck design, with locator nose or plain nose. Locator-nose version is ideal for workpieces with machined sides. The accurately machined notch ensures precise, repeatable clamp location for increased machining clearance. **INFO+**: For rear Clamp Rests, see Stud Leveling Feet on page 186.

7



**Straight
Locator Nose
Clamp**

STRAIGHT — LOCATOR NOSE

PART NO.	STUD SIZE	A	B	C	D	E	F	G	H	J	K
CL-4-ALCS	1/2-13	4	1-5/8	1-3/16	1-21/32	11/16	7/16	9/16	3/4	1/2	1/2-13
CL-6-ALCS		6	1-3/4	1-1/4	2-5/16	1-3/8	9/16		7/8	9/16	1/2-13
CL-8-ALCS	5/8-11	8	2-1/8	1-1/2	3	2	11/16	11/16	1-1/8	3/4	5/8-11

STRAIGHT — PLAIN NOSE

CL-4-ASCS	CL-6-ASCS	CL-8-ASCS	STUD SIZE	A	B	C	D	E	F	G	H	J	K
			1/2-13	4	1-5/8	1-3/16	1-21/32	11/16	7/16	9/16	3/4	1/2	1/2-13
				6	1-3/4	1-1/4	2-5/16	1-3/8	9/16		7/8	9/16	1/2-13
			5/8-11	8	2-1/8	1-1/2	3	2	11/16	11/16	1-1/8	3/4	5/8-11

GOOSENECK — PLAIN NOSE

CL-4-AGNS	CL-6-AGNS	CL-8-AGNS	STUD SIZE	A	B	C	D	E	F	G	H	J	K		
			1/2-13	4	1-7/8	1/4	1-3/16	1-5/8	9/16	1/2	3/4	13/16	1-7/16	—	1/2-13
				6	2-1/2	1	1-1/4	1-3/4		5/8	7/8	15/16	1-9/16	—	1/2-13
			5/8-11	8	3-3/16	1-5/8	1-1/2	2-1/8	11/16	1	1-1/8	1-1/8	2-1/16	—	5/8-11

SWIVEL-HEEL CLAMP STRAPS

STRAP: 1018 STEEL, CARBURIZED-HARDENED, BLACK OXIDE FINISH
 INFO+: SEE PAGES 90, 97, 282, 284-286, 289-290, 298-300 FOR OTHER MATERIAL SPECIFICATIONS

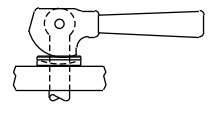
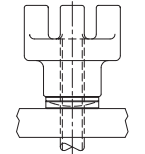
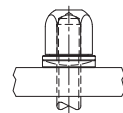
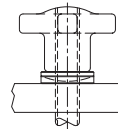
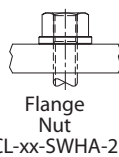
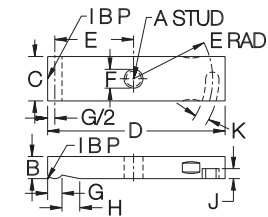


Steel

Clamp strap that swings out of the way for clear loading. Available for 1/4-20 (M6) to 3/4-10 (M20) stud sizes, each in several strap lengths. See below for complete Clamp-Strap assemblies using the straps shown above. Select any of the six nut/knob combinations shown by adding the appropriate suffix to the part number. Other Stud and Clamp Rest lengths are available (order pieces individually).

STRAPS — STEEL

PART NO.	A	B	C	D	E	F	G	H	J	K
CL-125-CS	1/4-20 or M6	3/8	5/8	2	27/32	9/32	1/4	11/32	1/8	3/16
CL-127-CS	3/8-16 or M10	1/2	1-1/8	3	1-7/32	27/64	13/32	1/2	9/32	3/8
CL-129-CS				4	1-23/32					
CL-131-CS				5	2-7/32					
CL-134-CS	1/2-13 or M12	5/8	1-1/4	3-1/2	1-15/32	17/32	13/32	1/2	9/32	3/8
CL-135-CS				4	1-23/32					
CL-137-CS				5	2-7/32					
CL-139-CS				6	2-23/32					
CL-140-CS	5/8-11 or M16	7/8	1-1/2	4	1-5/8	21/32	1/2	19/32	9/32	1/2
CL-142-CS				5	2-1/8					
CL-144-CS				6	2-5/8					
CL-152-CS	3/4-10 or M20	1	1-3/4	6	2-5/8	13/16	1/2	19/32	5/16	1/2
CL-154-CS				7	3-1/8					
CL-156-CS				8	3-5/8					



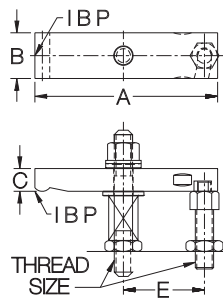
ASSEMBLIES — STEEL (INCH)

PART NO.	THREAD SIZE	A	B	C	E	CLAMP STRAP	CLAMP REST	FLAT WASHER	STUD & SPRING
CL-0-SWHA-x	1/4-20	2	5/8	3/8	27/32	CL-125-CS	CL-1-CR	CL-7-FW	CL-1/4-20x2.50-STUD CL-5-SPG
CL-2-SWHA-x	3/8-16	3	1-1/8	1/2	1-7/32	CL-127-CS	CL-2-CR	CL-1-FW	CL-3/8-16x3.00-STUD CL-7-SPG
CL-4-SWHA-x		4			1-23/32	CL-129-CS			
CL-6-SWHA-x		5			2-7/32	CL-131-CS			
CL-9-SWHA-x	1/2-13	3-1/2	5/8	5/8	1-15/32	CL-134-CS	CL-4-CR	CL-2-FW	CL-1/2-13x4.00-STUD CL-9-SPG
CL-10-SWHA-x		4			1-23/32	CL-135-CS			
CL-12-SWHA-x		5			2-7/32	CL-137-CS			
CL-14-SWHA-x		6			2-23/32	CL-139-CS			
CL-19-SWHA-x	5/8-11	4	1-1/2	7/8	1-5/8	CL-140-CS	CL-6-CR	CL-3-FW	CL-5/8-11x4.50-STUD CL-11-SPG
CL-17-SWHA-x		5			2-1/8	CL-142-CS			
CL-15-SWHA-x		6			2-5/8	CL-144-CS			
CL-27-SWHA-x	3/4-10	6	1-3/4	1	2-5/8	CL-152-CS	CL-8-CR	CL-4-FW	CL-3/4-10x5.00-STUD CL-13-SPG
CL-29-SWHA-x		7			3-1/8	CL-154-CS			
CL-31-SWHA-x		8			3-5/8	CL-156-CS			

ASSEMBLIES — STEEL (METRIC)

PART NO.	THREAD SIZE	A	B	C	E	CLAMP STRAP	CLAMP REST	FLAT WASHER	STUD & SPRING
CLM-0-SWHA-x	M6	2	5/8	3/8	27/32	CL-125-CS	CLM-1-CR	CL-7-FW	CLM-6x65-STUD CL-5-SPG
CLM-2-SWHA-x	M10	3	1-1/8	1/2	1-7/32	CL-127-CS	CLM-2-CR	CL-1-FW	CLM-10x80-STUD CL-7-SPG
CLM-4-SWHA-x		4			1-23/32	CL-129-CS			
CLM-6-SWHA-x		5			2-7/32	CL-131-CS			
CLM-9-SWHA-x	M12	3-1/2	5/8	5/8	1-15/32	CL-134-CS	CLM-4-CR	CL-2-FW	CLM-12x95-STUD CL-9-SPG
CLM-10-SWHA-x		4			1-23/32	CL-135-CS			
CLM-12-SWHA-x		5			2-7/32	CL-137-CS			
CLM-14-SWHA-x		6			2-23/32	CL-139-CS			
CLM-19-SWHA-x	M16	4	1-1/2	7/8	1-5/8	CL-140-CS	CLM-5-CR	CL-3-FW	CLM-16x110-STUD CL-11-SPG
CLM-17-SWHA-x		5			2-1/8	CL-142-CS			
CLM-15-SWHA-x		6			2-5/8	CL-144-CS			
CLM-27-SWHA-x	M20	6	1-3/4	1	2-5/8	CL-152-CS	CLM-8-CR	CLM-10-FW	CLM-20x125-STUD CL-13-SPG
CLM-29-SWHA-x		7			3-1/8	CL-154-CS			
CLM-31-SWHA-x		8			3-5/8	CL-156-CS			

* Available in thread sizes 3/8-16 and above (M10 and above in metric).



DOUBLE-END CLAMP STRAPS

STRAP: 1018 STEEL, CARBURIZED-HARDENED, BLACK OXIDE FINISH

INFO+: SEE PAGES 90, 97, 282-286, 289-290, 298-300 FOR OTHER MATERIAL SPECIFICATIONS

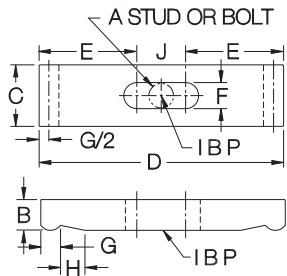


Steel

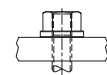
Clamp strap with two clamping ends, for holding two workpieces simultaneously. Available for 1/4-20 (M6) to 3/4-10 (M20) stud sizes, each in several strap lengths.

STRAPS — STEEL

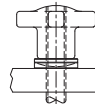
PART NO.	A	B	C	D	E	F	G	H	J
CL-23A-CS	1/4-20 or M6	3/8	5/8	2	11/16	9/32	1/4	11/32	5/8
CL-23B-CS				2-1/2	7/8				3/4
CL-23C-CS	5/16-18 or M8	1/2	3/4	2	1	3/8	5/16	7/16	0
CL-23D-CS				3	1-1/2				
CL-23-CS	3/8-16 or M10	1/2	1-1/8	3	1	27/64	13/32	1/2	1
CL-24-CS				4	1-1/2				
CL-25-CS				5	2				
CL-27-CS				4	1-1/2				
CL-28-CS	1/2-13 or M12	5/8	1-1/4	5	2	17/32	13/32	1/2	1
CL-30-CS				6	2-1/2				
CL-32A-CS				5	1-7/8				
CL-33-CS	5/8-11 or M16	7/8	1-1/2	6	2-3/8	21/32	1/2	19/32	1-1/4
CL-37-CS				6	2-1/8				
CL-38-CS	3/4-10 or M20	1	1-3/4	7	2-5/8	13/16	1/2	19/32	1-3/4
CL-39-CS				8	3-1/8				



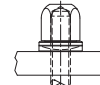
Spherical Nut & Washer
CL-xx-DEA-1



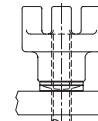
Flange Nut
CL-xx-DEA-2



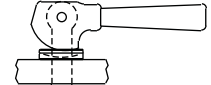
Hand Knob with Spherical Washer
CL-xx-DEA-4



Acorn Nut with Spherical Washer
CL-xx-DEA-5



Bar Knob with Spherical Washer*
CL-xx-DEA-6



Cam Handle with Spherical Washer
CL-xx-DEA-7

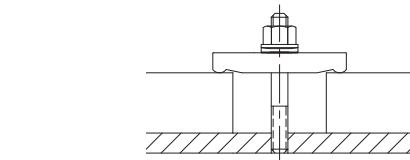
ASSEMBLIES — STEEL (INCH)

PART NO.	THREAD SIZE	A	B	C	CLAMP STRAP	FLAT WASHER	STUD & SPRING
CL-0-DEA-x	1/4-20	2	5/8	3/8	CL-23A-CS	CL-7-FW	CL-1/4-20x2.50-STUD CL-5-SPG
CL-1-DEA-x		2-1/2			CL-23B-CS		
CL-1A-DEA-x	5/16-18	2	3/4	1/2	CL-23C-CS	CL-14-FW	CL-5/16-18x3.00-STUD CL-6-SPG
CL-1B-DEA-x		3			CL-23D-CS		
CL-2-DEA-x	3/8-16	3	1-1/8	1/2	CL-23-CS	CL-1-FW	CL-3/8-16x3.00-STUD CL-7-SPG
CL-4-DEA-x		4			CL-24-CS		
CL-6-DEA-x		5			CL-25-CS		
CL-8-DEA-x		4			CL-27-CS		
CL-10-DEA-x	1/2-13	5	1-1/4	5/8	CL-28-CS	CL-2-FW	CL-1/2-13x4.00-STUD CL-9-SPG
CL-12-DEA-x		6			CL-30-CS		
CL-15-DEA-x	5/8-11	5	1-1/2	7/8	CL-32A-CS	CL-3-FW	CL-5/8-11x4.50-STUD CL-11-SPG
CL-13-DEA-x		6			CL-33-CS		
CL-20-DEA-x	3/4-10	6	1-3/4	1	CL-37-CS	CL-4-FW	CL-3/4-10x5.00-STUD CL-13-SPG
CL-22-DEA-x		7			CL-38-CS		
CL-23-DEA-x		8			CL-39-CS		

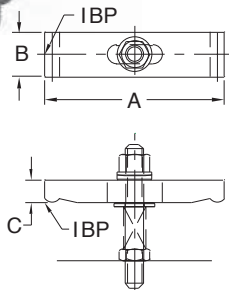
ASSEMBLIES — STEEL (METRIC)

CLM-0-DEA-x	M6	2	5/8	3/8	CL-23A-CS	CL-7-FW	CLM-6x65-STUD CL-5-SPG
CLM-1-DEA-x	M8	2	3/4	1/2	CL-23C-CS	CL-14-FW	CLM-8x80-STUD CL-6-SPG
CLM-1A-DEA-x		2			CL-23D-CS		
CLM-1B-DEA-x	M10	3	1-1/8	1/2	CL-23-CS	CL-1-FW	CLM-10x80-STUD CL-7-SPG
CLM-2-DEA-x		4			CL-24-CS		
CLM-4-DEA-x		5			CL-25-CS		
CLM-6-DEA-x		4			CL-27-CS		
CLM-8-DEA-x	M12	5	1-1/4	5/8	CL-28-CS	CL-2-FW	CLM-12x95-STUD CL-9-SPG
CLM-10-DEA-x		6			CL-30-CS		
CLM-12-DEA-x	M16	5	1-1/2	7/8	CL-32A-CS	CL-3-FW	CLM-16x110-STUD CL-11-SPG
CLM-15-DEA-x		6			CL-33-CS		
CLM-20-DEA-x	M20	6	1-3/4	1	CL-37-CS	CLM-10-FW	CLM-20x125-STUD CL-13-SPG
CLM-22-DEA-x		7			CL-38-CS		
CLM-23-DEA-x		8			CL-39-CS		

* Available in thread sizes 3/8-16 and above (M10 and above in metric).



Steel



A complete clamp-strap assembly using one of the straps shown above. Select any of the six nut/knob combinations shown above by adding the appropriate suffix to the part number. Other stud lengths are available (order pieces individually).

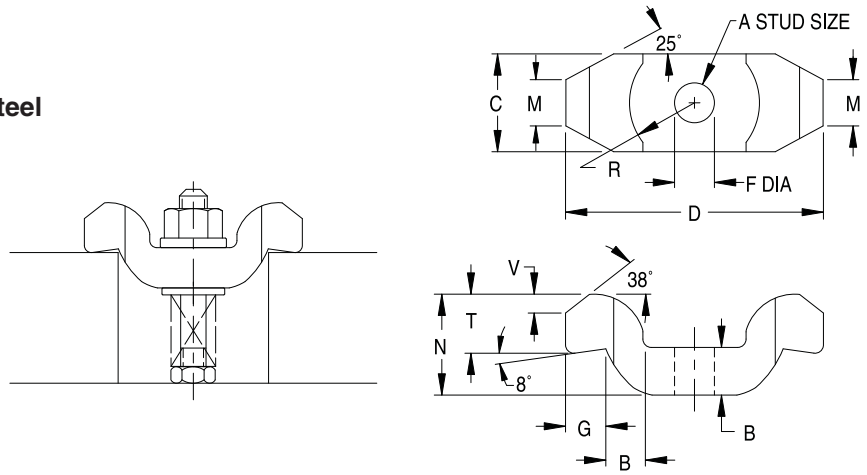
DOUBLE-END GOOSENECK CLAMP STRAPS

STRAP: ALLOY STEEL, BLACK OXIDE FINISH
INFO+: SEE PAGES 90, 282-286, 289, 299-300 FOR OTHER MATERIAL SPECIFICATIONS



Steel

Gooseneck version of our Double-End Clamp Straps. This design recesses the clamping nut to provide a low overall profile. Double-End Clamps have two clamping ends, for holding two workpieces simultaneously. Turn strap 90° for clear loading. Available to fit 1/2-13 and 5/8-11 studs (M12 and M16 in metric).

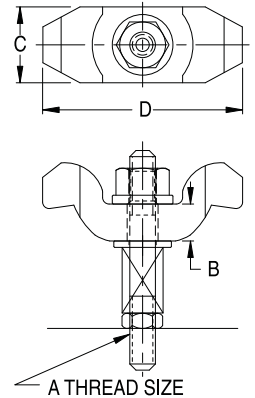
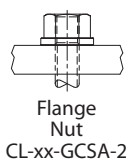


STRAPS – STEEL

PART NO.	A	B	C	D	F	G	M	N	R	T	V
CL-842-GCS	1/2-13, 5/8-11, M12, or M16	.79	1.58	3.94	.67	.63	.79	1.58	.94	.90	.34



Double-End Gooseneck Clamp Straps are also available as a complete assembly. Select any of the four nut/knob combinations shown below by adding the appropriate suffix to the part number. Other lengths of Clamping Studs and Clamp Rests are available (order pieces individually).



ASSEMBLIES – STEEL (INCH)

PART NO.	A	B	C	D	CLAMP STRAP	FLAT WASHER	CLAMP SPRING	CLAMPING STUD	JAM NUT
CL-842-GCSA-x	1/2-13	.79	1.58	3.94	CL-842-GCS	CL-2-FW	CL-9-SPG	CL-1/2-13X4.00-STUD	CL-8-JN
CL-1042-GCSA-x	5/8-11					CL-3-FW	CL-11-SPG	CL-5/8-11X4.50-STUD	CL-10-JN

ASSEMBLIES – STEEL (METRIC)

PART NO.	A	B	C	D	CLAMP STRAP	FLAT WASHER	CLAMP SPRING	CLAMPING STUD	JAM NUT
CLM-842-GCSA-x	M12	.79	1.58	3.94	CL-842-GCS	CL-2-FW	CL-9-SPG	CLM-12X95-STUD	CLM-12-JN
CLM-1042-GCSA-x	M16					CL-3-FW	CL-11-SPG	CLM-16X10-STUD	CLM-16-JN

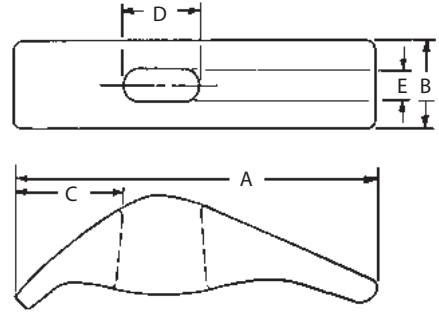
ALUMINUM ADJUSTABLE CLAMPS

VAR-A-CLAMPS

TENZALOY ALUMINUM ALLOY



Simple, economical aluminum clamp, (INFO+) similar in function to the Forged Adjustable Clamps shown on page 247.

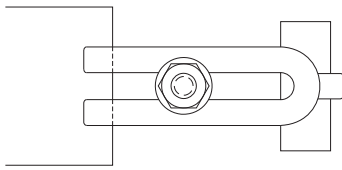


PART NO.	STUD SIZE	CLAMPING RANGE	A	B	C	D	E
CL-8-VAC	3/8 or M10	0 to 2"	4-7/8	1-1/4	1-3/8	1	13/32
CL-10-VAC	1/2 or M12	0 to 2-1/2"	5-1/2	1-1/2	1-1/2	1-1/8	17/32

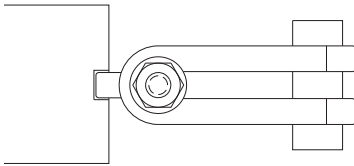
FORGED U CLAMPS

FORGED STEEL, 70,000 PSI YIELD STRENGTH, BLACK OXIDE FINISH

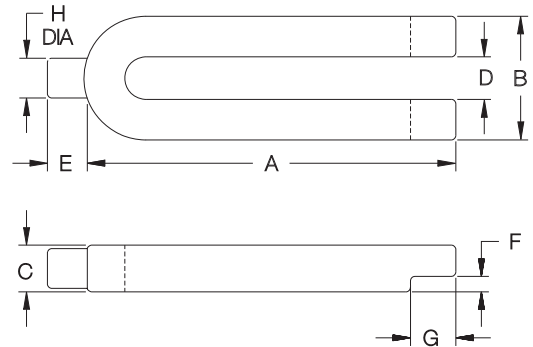
7



Open U end allows totally removing clamp strap when unclamped. Clamp tips are stepped to provide repeatable location.



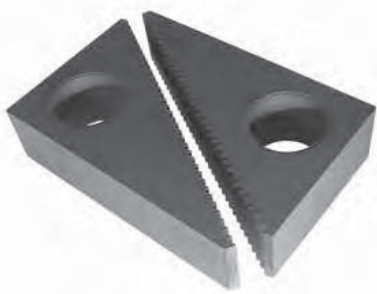
Cylindrical pin end minimizes contact area and is useful for clamping in horizontal holes.



PART NO.	BOLT SIZE	A	B	C	D	E	F	G	H
CL-4-FUC	5/8-11 or M16	3-1/2	1-15/16	3/4	11/16	5/8	1/4	1/2	5/8
CL-6-FUC		5-7/16	2-1/4	7/8	11/16	3/4	5/16	3/4	3/4
CL-8-FUC	3/4-10 or M20	7-3/8	2-5/8	1-1/8	13/16	27/32	3/8	1-1/32	13/16
CL-12-FUC	1"-8 or M24	10-15/16	3-3/16	1-3/8	1-1/16	1-3/32	1/2	1-3/16	1-1/32

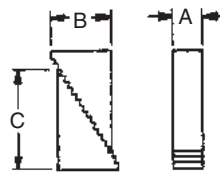
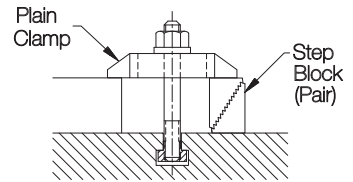
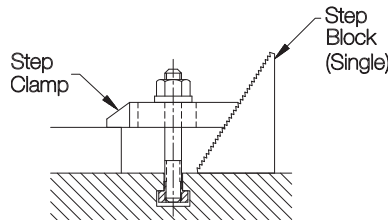
STEP BLOCKS & CLAMPS

1018 STEEL, CARBURIZED-HARDENED, BLACK OXIDE FINISH



Step Blocks (pair)

Serrated block that can be used individually or in pairs, as a clamp rest. (One part number consists of a pair of blocks). Use a single block with Step Clamps, or a pair of blocks with Plain Clamps. All blocks and clamps are made from top-grade steel.

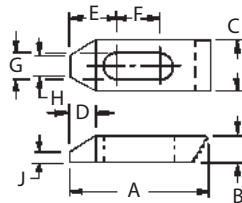


STEP BLOCKS (PAIR)

PART NO.	A	B	C	HEIGHT RANGE
CL-10-BS	1	.681	1.104	3/4 to 1-1/2
CL-20-BS		1.068	1.747	1-1/8 to 2-1/2
CL-30-BS		2.355	3.980	2-1/2 to 6
CL-40-BS	1-1/2	1.454	2.390	1-3/4 to 3-3/4
CL-50-BS		2.355	3.890	2-1/2 to 6
CL-60-BS		3.385	5.604	3-1/2 to 9
CL-70-BS	2	1.454	2.390	1-3/4 to 3-3/4
CL-80-BS		2.355	3.890	2-1/2 to 6
CL-90-BS		3.385	5.604	3-1/2 to 9



Step Clamp

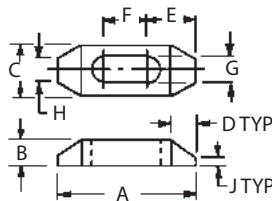


STEP CLAMPS

PART NO.	STUD SIZE	A	B	C	D	E	F	G	H	J	
CL-32-STC	3/8 or M10	2-1/2	1/2	1	7/16	7/8	13/16	7/16	7/16	1/4	
CL-34-STC		4	5/8		11/16	1-3/16	1-5/16		1/4		
CL-36-STC		6	3/4	1-1/8	3/4	1-1/8	2-3/16	3/8	5/16		
CL-42-STC	1/2 or M12	2-1/2	1/2	1-1/8	7/16	29/32	11/16	9/16	9/16	3/16	
CL-44-STC		4	3/4	1-1/4	11/16	1-7/32	1-3/16		1/2		1/4
CL-46-STC		6	7/8	3/4	1-5/32	2-1/8	7/16		5/16		
CL-52-STC	5/8 or M16	2-1/2	5/8	1-1/4	3/8	15/16	9/16	11/16	3/4	3/8	
CL-54-STC		4	3/4	1-1/2	11/16	1-1/4	1-1/16		11/16		
CL-56-STC		6	7/8	3/4	1-9/32	1-15/16	9/16		7/16		
CL-64-STC	3/4 or M20	4	3/4	1-1/2	3/4	1-5/16	15/16	13/16	5/8	5/16	
CL-66-STC		6	1	13/16	1-1/4	1-7/8	1/2				
CL-68-STC		8	1-3/4	3/4	1-7/8	2-3/16	3/4		5/8		



Plain Clamp

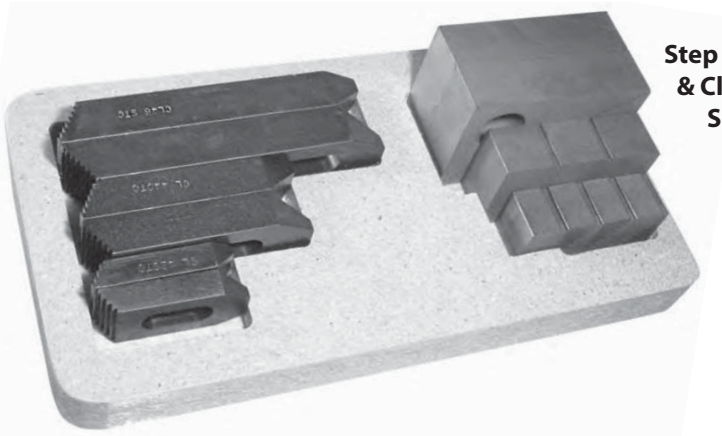


PLAIN CLAMPS

PART NO.	STUD SIZE	A	B	C	D	E	F	G	H	J	
CL-32-PC	3/8 or M10	2-1/2	1/2	1	7/16	27/32	13/16	7/16	7/16	1/4	
CL-34-PC		4	5/8		11/16	1-1/32	1-7/16		1/4		
CL-36-PC		6	3/4	1-1/8	3/4	1-5/32	2-3/16	3/8	5/16		
CL-42-PC	1/2 or M12	2-1/2	1/2	1-1/8	7/16	29/32	11/16	9/16	9/16	3/16	
CL-44-PC		4	3/4	1-1/4	11/16	1-5/32	1-5/16		1/2		1/4
CL-46-PC		6	7/8	3/4	1-9/32	2-1/16	7/16		5/16		
CL-52-PC	5/8 or M16	2-1/2	5/8	1-1/4	3/8	31/32	9/16	11/16	3/4	3/8	
CL-54-PC		4	3/4	1-1/2	11/16	1-9/32	1-3/16		11/16		
CL-56-PC		6	7/8	1-1/2	3/4	1-13/32	1-15/16		9/16		7/16
CL-64-PC	3/4 or M20	4	3/4	1-1/2	3/4	1-11/32	1-1/16	13/16	5/8	5/16	
CL-66-PC		6	1	13/16	1-15/32	1-15/16	1/2				
CL-68-PC		8	1-1/8	1-3/4	3/4	1-29/32	2-3/16		3/4		5/8

STEP BLOCKS & CLAMPS

11L17 STEEL, CARBURIZED-HARDENED, BLACK OXIDE FINISH



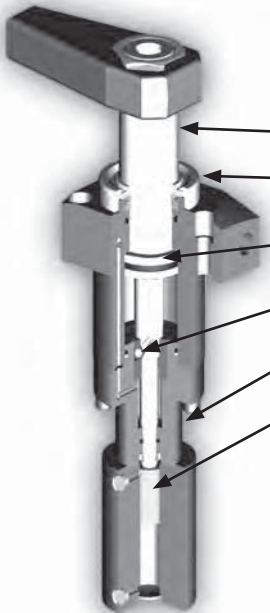
Step Block & Clamp Set

An assortment of Step Clamps and Step Blocks in a handy wooden holder. Available for stud sizes from 3/8-16 to 3/4-10 (M10 to M20 metric studs).

STEP BLOCK & CLAMP SETS

PART NO.	STUD SIZE	STEP CLAMPS (2) EACH		STEP BLOCK PAIRS (2) EACH	HOLDER
CL-10-SBC	3/8-16 or M10	CL-32-STC, CL-34-STC, CL-36-STC	STANDARD	CL-10-BS, CL-20-BS, CL-30-BS	CL-1-BSH
CL-20-SBC	1/2-13 or M12	CL-42-STC, CL-44-STC, CL-46-STC	STANDARD	CL-10-BS, CL-20-BS, CL-30-BS	CL-1-BSH
CL-40-SBC			HIGH-RISE	CL-40-BS, CL-50-BS, CL-60-BS	CL-2-BSH
CL-30-SBC	5/8-11 or M16	CL-52-STC, CL-54-STC, CL-56-STC	STANDARD	CL-10-BS, CL-20-BS, CL-30-BS	CL-1-BSH
CL-50-SBC			HIGH-RISE	CL-40-BS, CL-50-BS, CL-60-BS	CL-2-BSH
CL-60-SBC	3/4-10 or M20	CL-64-STC, CL-66-STC, CL-68-STC	HIGH-RISE	CL-40-BS, CL-50-BS, CL-60-BS	CL-3-BSH

Why Carr Lane Roemheld Swing Clamps?



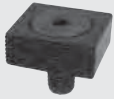
Designed for 1,000,000 cycles

2,000,000+ cycles tested at full load

- Rod diameter 30% larger to eliminate part deflection
- Viton wiper is standard (metal wiper optional)
- Exclusive safety clutch design available to prevent damage to part, fixture, or operator
- Reinforced swivel mechanism with 2 or 3 helix paths depending on size for longer life
- Up to 7500 psi maximum pressure for more compact clamp design
- Position monitoring available, either inductive or pneumatic via movable sensing bolt
- Over 1000 different standard sizes and styles available with clamping forces from 130 lb. to 8265 lb. stroke up to 2"
- Special stroke and clamping forces available upon request.

See Page 619-630

TYPES



TINY VISE® EDGE CLAMPS

Mini edge clamps grip the side of a workpiece to keep the top clear for machining. Only Tiny Vise® Edge Clamps truly exert down thrust force on the workpiece, to prevent it from lifting. A thrust washer underneath the clamp engages a mating offset countersink to provide downward action.



TINY VISE® M-SERIES EDGE CLAMPS

Our Tiny Vise® M-Series incorporates a modular jaw design for greater adjustability. This modular system allows adjusting your workpiece engagement point by adding or removing spacers. This is useful when using the same fixture for machining a family of parts, or when workpiece size can vary somewhat between batches.



TINY VISE® LOW-PROFILE EDGE CLAMPS

Low-profile Tiny Vise® clamps are ideal for thin workpieces, and whenever downthrust action is not required. These mini edge clamps securely grip the side of a workpiece to keep the top clear for machining. Patented design. Made in USA.



TINY VISE® DOUBLE EDGE CLAMPS

Double edge clamps allow clamping two workpieces at the same time with equal force. These mini edge clamps grip the side of a workpiece to keep the top clear for machining. Patented design provides strong, reliable clamping force with the easy turn of a hex wrench.



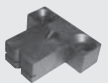
TINY VISE® V-JAW & DOUBLE V-JAW EDGE CLAMPS

The V-Jaw and Double V-Jaw versions of our popular Tiny Vise is ideal for clamping round workpieces. The 90° V-Jaw can also be used to clamp to a rectangular workpiece from two directions with a single clamp at its corner. Double V-Jaws allow clamping two workpieces at the same time with equal force.



SERRATED EDGE CLAMPS

This low-profile clamp is ideal for gripping the side of a workpiece to keep the top clear for machining. Clamps both forward and down simultaneously, by tightening the socket-head screw in the sliding nose with a hex wrench. V-groove in nose is excellent for clamping round parts of corners.



CAM EDGE CLAMPS

Pivoting-nose edge clamp operated by a cam handle for fast action. Smooth spiral cam locks positively anywhere within its 180 throw. Choice of two sizes. Available with either a standard base for fixed-position mounting, or a slotted base for adjustable mounting.

Tiny Vise®

The lowest profile
clamping device



just got lower.

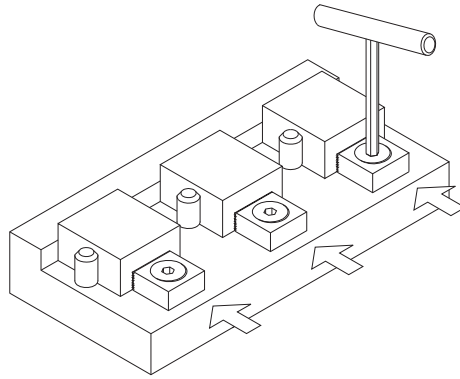
NEW Low-profile Tiny Vise clamps from Carr Lane Manufacturing securely grip the side of a workpiece to keep the top clear for machining. Available in a wide range of sizes, from a miniature #8-32 thread size, up to a powerful 1"-8 thread size with 2500 lbs clamping force. Patented design. Made in USA. **See page 260.**

TINY VISE® EDGE CLAMPS

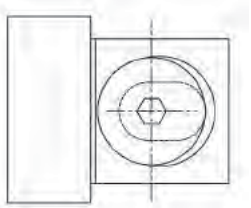
BODY: 1018 STEEL, CARBURIZED-HARDENED, BLACK OXIDE FINISH
 THRUST WASHER: 1144 STEEL, HEAT TREATED, BLACK OXIDE FINISH
 FLAT-HEAD SOCKET SCREW: STEEL, BLACK OXIDE FINISH



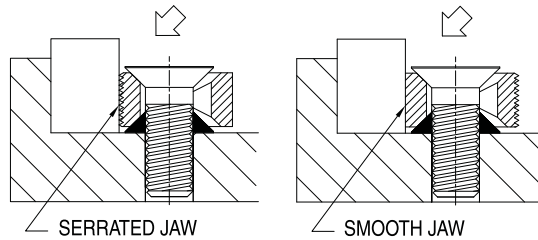
Flat Jaw
 (Reversible, Serrated or Smooth)



Clamping force is applied by positive screw action with the easy turn of a hex wrench.



7 Patented design features a slotted countersink.



The serrated face provides maximum gripping, while the smooth face (turn 180°) helps avoid marring finished parts.

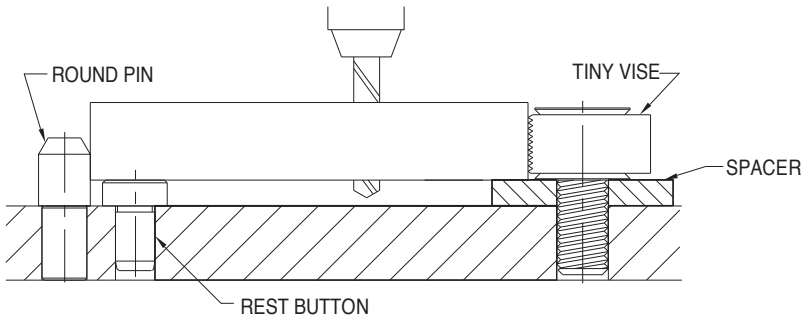
Perfect for high-density machining! These mini edge clamps grip the side of a workpiece to keep the top clear for machining. Patented design features a slotted countersink to provide strong, reliable clamping force with the easy turn of a hex wrench. These compact clamps are ideal for fixturing multiple parts, small or large. Each clamp has both a serrated face (for maximum gripping) and a smooth face (to avoid marring finished parts). These clamps look so simple, but work amazingly well, with major advantages over earlier designs. Patent number 5,624,106. Made in USA.

Clamping force is applied by positive screw action with the easy turn of a hex wrench (not with an unreliable, unsafe eccentric cam as used in other designs). A high-strength Flat-Head Socket Screw engages a mating offset countersink to exert strong clamping force. Much more durable than other designs.

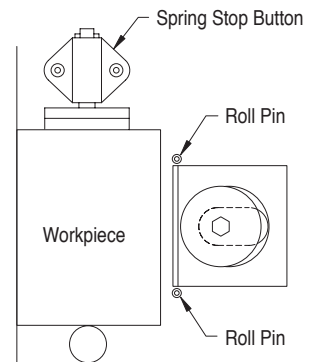
Only Tiny Vise® Edge Clamps truly exert down thrust force on the workpiece, to prevent it from lifting. A thrust washer underneath the clamp engages a mating offset countersink to provide downward action.

Available in a wide range of sizes, from a miniature #8-32 thread size, up to a powerful 1"-8 thread size with 2500 lbs clamping force.

Tiny Vise® clamps are designed to provide strong clamping force when tightened by hand. Do not exceed the recommended tightening torque.

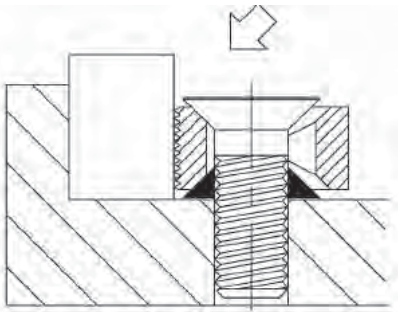


For a small amount of cutting-tool clearance, Tiny Vise® Edge Clamps can be mounted with a spacer underneath, using a longer screw. For greater clearance, clamps should be mounted into a tapped riser block fastened to the plate, to reduce bending stress on the screw.



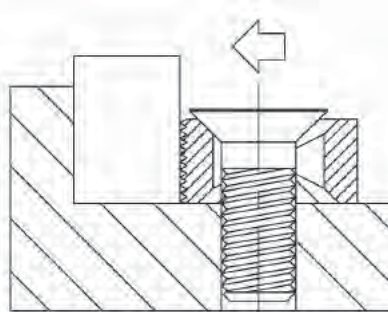
Roll pins can be installed to keep the Tiny Vise® perfectly aligned for workpiece loading (especially helpful on horizontal machining centers).

TINY VISE® EDGE CLAMPS



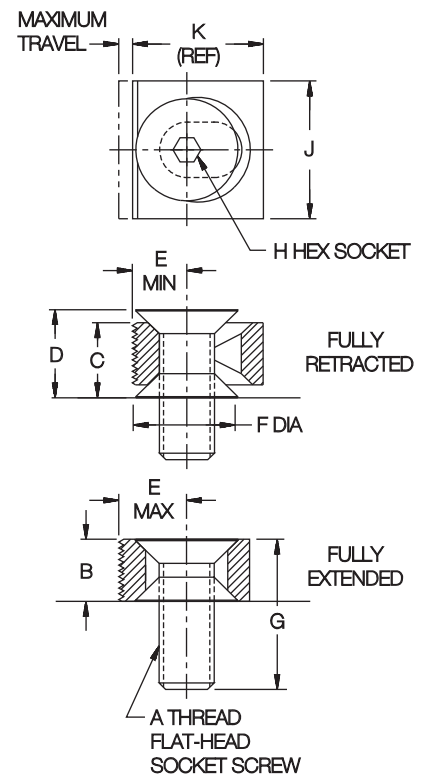
Setup for Downthrust Force
(with Bottom Thrust Washer)

All clamps are supplied with an optional Bottom Thrust Washer (shown in black). Installing this washer under the clamp will raise the clamp slightly and provide downthrust force during clamping.



Setup for Horizontal Force
(without Bottom Thrust Washer)

If no downthrust force is required, install the clamp without the Bottom Thrust Washer. Doing so will improve clamping speed because fewer screw turns are required.



FLAT JAW (INCH) SETUP FOR DOWNTHRUST FORCE

PART NO.	A	B	C	D	E			F DIA	G	H	J	K	MAX TRAVEL	RECOMMENDED TORQUE (FT-LBS)*	APPROX. HORIZONTAL CLAMPING FORCE AT RECOMMENDED TORQUE (LBS)*
					MIN	MID RANGE	MAX								
CL-2-TV	#8-32	.250	.319	.382	.175	.205	.235	.335	5/8	3/32	9/16	.470	.060	.20	60
CL-3-TV	#10-32	.312	.390	.459	.208	.242	.274	.390	3/4	1/8	5/8	.550	.066	.25	75
CL-4-TV	1/4-20	.375	.467	.552	.280	.320	.360	.510	7/8	5/32	7/8	.720	.080	.50	130
CL-5-TV	5/16-18	.438	.550	.652	.338	.386	.434	.640	1	3/16	1	.870	.096	1.2	240
CL-6-TV	3/8-16	.500	.627	.746	.390	.445	.500	.742	1-1/8	7/32	1-1/8	1.000	.110	2.3	370
CL-8-TV	1/2-13	.562	.702	.833	.474	.534	.594	.897	1-3/8	5/16	1-1/4	1.187	.120	6.6	800
CL-10-TV	5/8-11	.750	.901	1.039	.620	.685	.750	1.148	1-5/8	3/8	1-5/8	1.500	.130	12	1,200
CL-12-TV	3/4-10	.875	1.059	1.234	.740	.820	.900	1.394	2	1/2	2	1.800	.160	23	1,800
CL-16-TV	1"-8	1.125	1.355	1.573	.988	1.088	1.188	1.890	2-1/2	5/8	2-1/2	2.375	.200	42	2,500

FLAT JAW (INCH) SETUP FOR HORIZONTAL FORCE

CL-2-TV	#8-32	.250	.250	.313	.175	.205	.235	.335	5/8	3/32	9/16	.470	.060	.40	60
CL-3-TV	#10-32	.312	.312	.381	.208	.242	.274	.390	3/4	1/8	5/8	.550	.066	.50	75
CL-4-TV	1/4-20	.375	.375	.460	.280	.320	.360	.510	7/8	5/32	7/8	.720	.080	1.0	130
CL-5-TV	5/16-18	.438	.438	.540	.338	.386	.434	.640	1	3/16	1	.870	.096	2.4	240
CL-6-TV	3/8-16	.500	.500	.619	.390	.445	.500	.742	1-1/8	7/32	1-1/8	1.000	.110	4.6	370
CL-8-TV	1/2-13	.562	.652	.693	.474	.534	.594	.897	1-3/8	5/16	1-1/4	1.187	.120	13	800
CL-10-TV	5/8-11	.750	.750	.888	.620	.685	.750	1.148	1-5/8	3/8	1-5/8	1.500	.130	24	1,200
CL-12-TV	3/4-10	.875	.875	1.050	.740	.820	.900	1.394	2	1/2	2	1.800	.160	46	1,800
CL-16-TV	1"-8	1.125	1.125	1.343	.988	1.088	1.188	1.890	2-1/2	5/8	2-1/2	2.375	.200	84	2,500

*Recommended torque and clamping force are at 1/3 of yield strength, leaving 2/3 of holding capacity to resist external cutting forces, etc.

TINY VISE® EDGE CLAMPS

BODY: 1018 STEEL, CARBURIZED-HARDENED, BLACK OXIDE FINISH
 THRUST WASHER: 1144 STEEL, HEAT TREATED, BLACK OXIDE FINISH
 FLAT-HEAD SOCKET SCREW: STEEL, BLACK OXIDE FINISH



Low Profile

(Reversible — Serrated or Smooth Jaw)

New Low-Profile Version!

Low-profile Tiny Vise® clamps are ideal for thin workpieces, and whenever downthrust action is not required. These mini edge clamps securely grip the side of a workpiece to keep the top clear for machining. Patented design features a slotted countersink to provide strong, reliable clamping force with the easy turn of a hex wrench. These compact clamps are ideal for fixturing multiple parts, small or large. Each clamp has both a serrated face (for maximum gripping) and a smooth face (to avoid marring finished parts). These clamps look so simple, but work amazingly well, with major advantages over earlier designs. Made in USA.

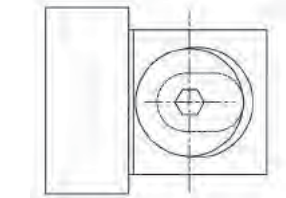
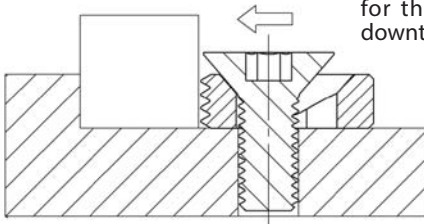
Clamping force is applied by positive screw action with the easy turn of a hex wrench (not with an unreliable, unsafe eccentric cam as used in other designs). A high-strength Flat-Head Socket Screw engages a mating slotted countersink to exert strong clamping force. Much more durable than other designs.

Available in a wide range of sizes, from a miniature #8-32 thread size, up to a powerful 1"-8 thread size with 2500 lbs clamping force. Tiny Vise® clamps are designed to provide strong clamping force when tightened by hand. Do not exceed the recommended tightening torque.

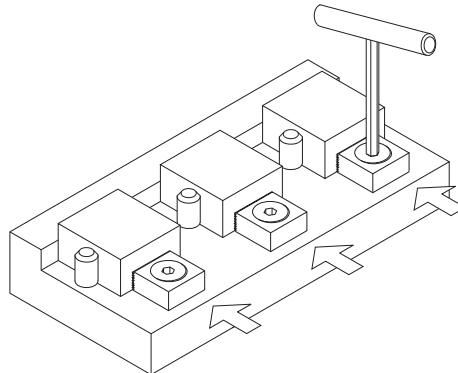


Compare the amazing low-profile Tiny Vise® clamp (right) with our standard Tiny Vise® clamp (left).

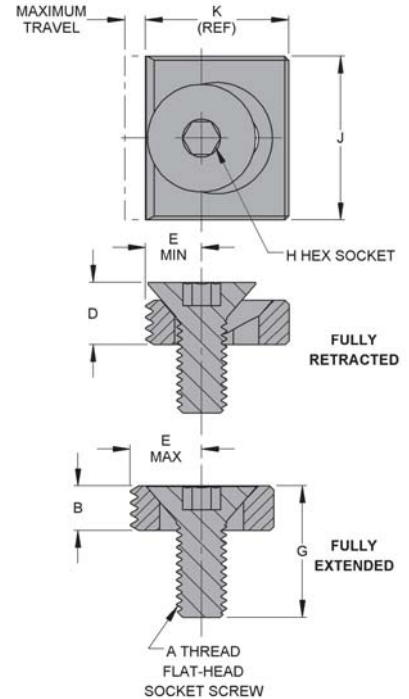
These low-profile clamps are ideal for thin workpieces, and whenever downthrust action is not required.



Patented design features a slotted countersink.



Clamping force is applied by positive screw action with the easy turn of a hex wrench.



LOW PROFILE (INCH)

PART NO.	A	B	D	E			G	H	J	K	MAX TRAVEL	RECOMMENDED TORQUE (FT-LBS)*	APPROX. HORIZONTAL CLAMPING FORCE AT RECOMMENDED TORQUE (LBS)*
				MIN	MID RANGE	MAX							
CL-2-TVLP	#8-32	.150	.213	.175	.205	.235	1/2	3/32	9/16	.470	.060	.40	60
CL-3-TVLP	#10-32	.200	.269	.208	.242	.274	5/8	1/8	5/8	.550	.066	.50	75
CL-4-TVLP	1/4-20	.225	.310	.280	.320	.360	3/4	5/32	7/8	.720	.080	1.0	130
CL-5-TVLP	5/16-18	.250	.352	.338	.386	.434	7/8	3/16	1	.870	.096	2.4	240
CL-6-TVLP	3/8-16	.300	.419	.390	.445	.500	1	7/32	1-1/8	1.000	.110	4.6	370
CL-8-TVLP	1/2-13	.325	.456	.474	.534	.594	1-1/4	5/16	1-1/4	1.187	.120	13	800
CL-10-TVLP	5/8-11	.425	.563	.620	.685	.750	1-1/2	3/8	1-5/8	1.500	.130	24	1,200
CL-12-TVLP	3/4-10	.500	.675	.740	.820	.900	1-3/4	1/2	2	1.800	.160	46	1,800
CL-16-TVLP	1"-8	.750	.968	.988	1.088	1.188	2	5/8	2-1/2	2.375	.200	84	2,500

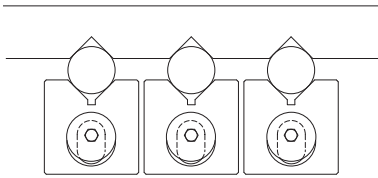
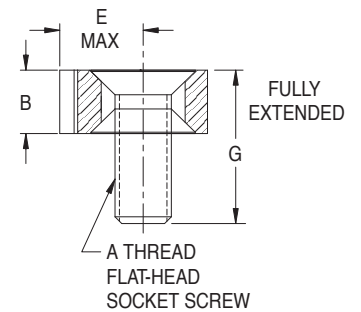
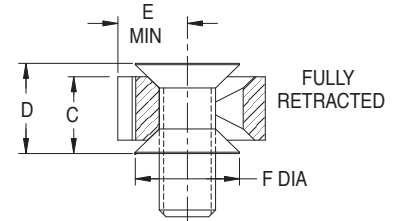
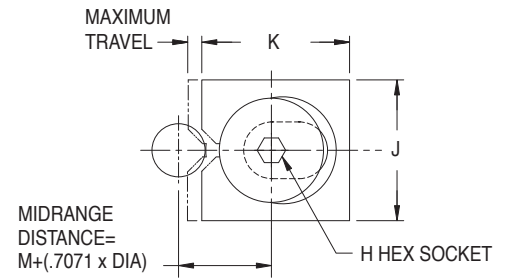
*Recommended torque and clamping force are at 1/3 of yield strength, leaving 2/3 of holding capacity to resist external cutting forces, etc.

TINY VISE® EDGE CLAMPS

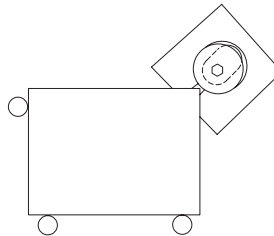


V-Jaw

The new V-Jaw version of our popular Tiny Vise® is ideal for clamping round workpieces. The 90° V-Jaw can also be used to clamp a rectangular workpiece from two directions with a single clamp at its corner.



Multiple workpieces can be clamped extremely close together.



A rectangular workpiece can be clamped from two directions with a single clamp.

V-JAW (INCH)

SETUP FOR DOWNTHRUST FORCE

PART NO.	A	B	C	D	E			F DIA	G	H	J	K	M	MAXIMUM WORKPIECE DIAMETER	MAXIMUM TRAVEL	RECOM- MENDED TORQUE (FT-LBS)*	APPROX. HORIZONTAL CLAMPING FORCE AT RECOMMENDED TORQUE (LBS)*
					MIN	MID RANGE	MAX										
CL-2-TVR	#8-32	.250	.319	.382	.292	.322	.352	.335	5/8	3/32	.625	.620	.212	3/8	.060	.20	60
CL-3-TVR	#10-32	.312	.390	.459	.375	.407	.940	.390	3/4	1/8	.750	.750	.253	1/2	.066	.25	75
CL-4-TVR	1/4-20	.375	.467	.552	.453	.493	.533	.510	7/8	5/32	.875	.900	.315	19/32	.080	.50	130
CL-5-TVR	5/16-18	.438	.550	.652	.562	.611	.660	.640	1	3/16	1.000	1.100	.410	11/16	.096	1.2	240
CL-6-TVR	3/8-16	.500	.627	.746	.687	.742	.797	.742	1-1/8	7/32	1.250	1.300	.454	15/16	.110	2.3	370
CL-8-TVR	1/2-13	.562	.702	.833	.812	.872	.932	.897	1-3/8	5/16	1.500	1.530	.557	1-1/32	.120	6.6	800
CL-10-TVR	5/8-11	.750	.901	1.039	1.124	1.157	1.254	1.148	1-5/8	3/8	2.000	2.100	.692	1-9/16	.130	12	1,200
CL-12-TVR	3/4-10	.875	1.059	1.234	1.344	1.424	1.504	1.394	2	1/2	2.500	2.500	.848	1-13/16	.160	23	1,800
CL-16-TVR	1"-8	1.125	1.355	1.573	1.687	1.782	1.887	1.890	2-1/2	5/8	3.000	3.200	1.137	2-1/16	.200	42	2,500

V-JAW (INCH)

SETUP FOR HORIZONTAL FORCE

CL-2-TVR	#8-32	.250	.250	.313	.292	.322	.352	.335	5/8	3/32	.625	.620	.212	3/8	.060	.40	60
CL-3-TVR	#10-32	.312	.312	.381	.375	.407	.940	.390	3/4	1/8	.750	.750	.253	1/2	.066	.50	75
CL-4-TVR	1/4-20	.375	.375	.460	.453	.493	.533	.510	7/8	5/32	.875	.900	.315	19/32	.080	1.0	130
CL-5-TVR	5/16-18	.438	.438	.540	.562	.611	.660	.640	1	3/16	1.000	1.100	.410	11/16	.096	2.4	240
CL-6-TVR	3/8-16	.500	.500	.619	.687	.742	.797	.742	1-1/8	7/32	1.250	1.300	.454	15/16	.110	4.6	370
CL-8-TVR	1/2-13	.562	.652	.693	.812	.872	.932	.897	1-3/8	5/16	1.500	1.530	.557	1-1/32	.120	13	800
CL-10-TVR	5/8-11	.750	.750	.888	1.124	1.157	1.254	1.148	1-5/8	3/8	2.000	2.100	.692	1-9/16	.130	24	1,200
CL-12-TVR	3/4-10	.875	.875	1.050	1.344	1.424	1.504	1.394	2	1/2	2.500	2.500	.848	1-13/16	.160	46	1,800
CL-16-TVR	1"-8	1.125	1.125	1.343	1.687	1.782	1.887	1.890	2-1/2	5/8	3.000	3.200	1.137	2-1/16	.200	84	2,500

*Recommended torque and clamping force are at 1/3 of yield strength, leaving 2/3 of holding capacity to resist external cutting forces, etc.

TINY VISE® EDGE CLAMPS

BODY: 1018 STEEL, CARBURIZED-HARDENED, BLACK OXIDE FINISH
 JAW: 1018 STEEL, CARBURIZED-HARDENED, BLACK OXIDE FINISH (OR DELRIN)
 THRUST WASHER: 1144 STEEL, HEAT TREATED, BLACK OXIDE FINISH
 FLAT-HEAD SOCKET SCREW: STEEL, BLACK OXIDE FINISH



Modular Jaw



Modular jaw design allows adjustment for workpiece-size variations.

Now available with a choice of jaw faces, including carbid abrasive!

Our Tiny Vise® M-series incorporates a modular jaw design for greater adjustability. This new modular system allows adjusting your workpiece engagement point by adding or removing spacers. This is useful when using the same fixture for machining a family of parts, or when workpiece size can vary somewhat between batches. Just like our original Tiny Vise®, these mini edge clamps grip the side of a workpiece to keep the top clear for machining. The patented design features a slotted countersink to provide strong, reliable clamping force with the easy turn of a hex wrench. These compact clamps are ideal for fixturing multiple parts, small or large. They look so simple, but work amazingly well! Patent number 5,624,106, and additional patents pending. Made in USA.

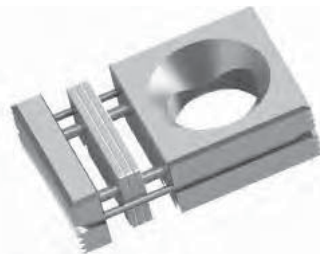
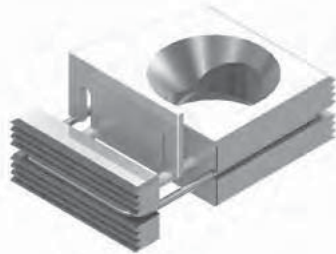
The M-series clamp body, without a jaw, is the same size as a standard Tiny Vise — with the same reversible jaw faces (one serrated and one smooth). The 1/4"-thick serrated modular jaw mounts into the smooth face, and each spacer adds another 1/16". Up to three spacers can be inserted to provide adjustment. The modular jaw assembly is held together securely by a tough, durable O-ring, recessed in a protective groove. The modular jaw can be easily extended to insert or remove the slotted spacers.

Clamping force is applied by positive screw action with the easy turn of a hex wrench (not with an unreliable, unsafe eccentric cam as used in other designs). A high-strength Flat-Head Socket Screw engages a mating offset countersink to exert strong clamping force. Much more durable than other designs.

Clamps can be set up to apply force either at a downward angle or straight horizontally. All clamps are supplied with an optional bottom thrust washer. Installing this washer under the clamp will raise the clamp slightly and provide downthrust force during clamping. If no downthrust force is required, install the clamp without the bottom thrust washer. Doing so will improve clamping speed because fewer screw turns are required.

Available in two sizes, 5/16-18 thread size (240 lbs clamping force) and 1/2-13 thread size (800 lbs clamping force). Tiny Vise clamps are designed to provide strong clamping force when tightened by hand. Do not exceed the recommended tightening torque.

7



These M-series clamps have a 1/4"-thick modular jaw that can be easily extended to insert or remove spacers. Up to three 1/16" spacers can be inserted to provide adjustment.



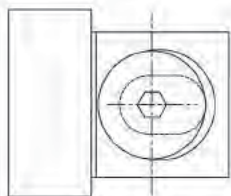
Serrated

Smooth

Smooth (Delrin®)

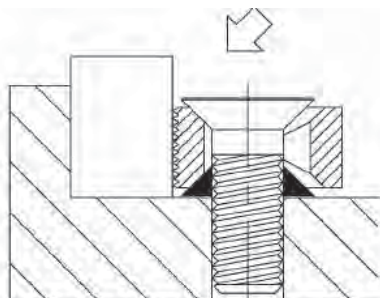
Carbide Abrasive

Choice of four modular jaw faces: 1) Serrated hardened steel, for maximum gripping bite; 2) Smooth hardened steel, to avoid marring on finished surfaces; 3) Smooth Delrin®, to further protect finished surfaces when less clamping force is required; 4) Carbide-abrasive-coated steel, for strong gripping with minimal surface penetration. Any of the four jaws can be mounted on the same body.

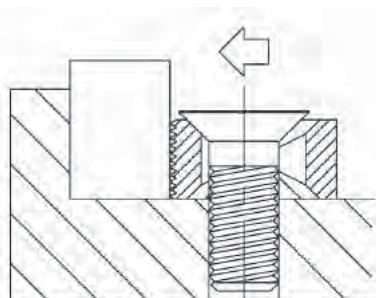


Patented design features a slotted countersink.

TINY VISE® EDGE CLAMPS



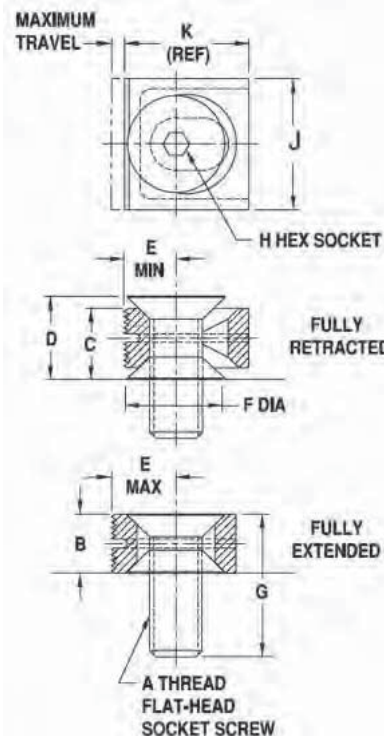
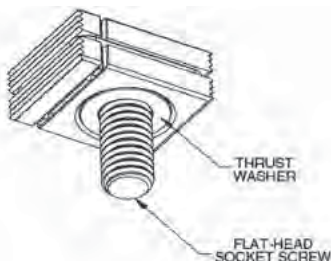
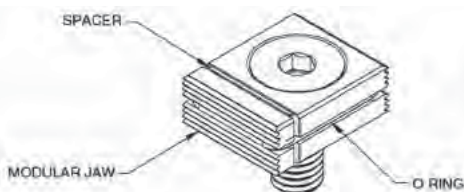
**Setup for
Downthrust Force**
(with Bottom Thrust Washer)



**Setup for
Horizontal Force**
(without Bottom Thrust Washer)

All clamps are supplied with an optional Bottom Thrust Washer (shown in black). Installing this washer under the clamp will raise the clamp slightly and provide downthrust force during clamping.

If no downthrust force is required, install the clamp without the Bottom Thrust Washer. Doing so will improve clamping speed because fewer screw turns are required.



MODULAR JAW (INCH) SETUP FOR DOWNTHRUST FORCE

PART NO.	JAW TYPE	A	B	C	D	E			F DIA	G	H	J	K	MAX TRAVEL	RECOMMENDED TORQUE (FT-LBS)*	APPROX. HORIZONTAL CLAMPING FORCE AT RECOMMENDED TORQUE (LBS)*
						MIN	MID RANGE	MAX								
CL-5-TVM	Serrated	5/16-18	.438	.550	.652	.338	.386	.434	.640	1	3/16	1	.870	.096	1.2	240
CL-5-TVMS	Smooth															
CL-5-TVMN	Smooth (Delrin®)															
CL-5-TVMC	Carbide Abrasive															
CL-8-TVM	Serrated	1/2-13	.562	.702	.833	.474	.534	.594	.897	1-3/8	5/16	1-1/4	1.187	.120	6.6	800
CL-8-TVMS	Smooth															
CL-8-TVMN	Smooth (Delrin®)															
CL-8-TVMC	Carbide Abrasive															

MODULAR JAW (INCH) SETUP FOR HORIZONTAL FORCE

CL-5-TVM	Serrated	5/16-18	.438	.438	.540	.338	.386	.434	.640	1	3/16	1	.870	.096	2.4	240
CL-5-TVMS	Smooth															
CL-5-TVMN	Smooth (Delrin®)															
CL-5-TVMC	Carbide Abrasive															
CL-8-TVM	Serrated	1/2-13	.562	.652	.693	.474	.534	.594	.897	1-3/8	5/16	1-1/4	1.187	.120	13	800
CL-8-TVMS	Smooth															
CL-8-TVMN	Smooth (Delrin®)															
CL-8-TVMC	Carbide Abrasive															

*Recommended torque and clamping force are at 1/3 of yield strength, leaving 2/3 of holding capacity to resist external cutting forces, etc.

SPARE PARTS

COMPLETE CLAMP PART NO.	MODULAR JAW				SPACER	O RING	THRUST WASHER	FLAT-HEAD SOCKET SCREW
	SERRATED	SMOOTH	SMOOTH (DELIN®)	CARBIDE ABRASIVE				
CL-5-TVM	5-TVM-JAW-ASSY	5-TVMS-JAW-ASSY	5-TVMN-JAW-ASSY	5-TVMC-JAW-ASSY	5-TVM-SPAC	5-TVM-ORING	CL-5-TV-WASH	CL-5/16-18X1.00-FHSS
CL-8-TVM	8-TVM-JAW-ASSY	8-TVMS-JAW-ASSY	8-TVMN-JAW-ASSY	8-TVMC-JAW-ASSY	8-TVM-SPAC	8-TVM-ORING	CL-8-TV-WASH	CL-1/2-13X1.38-FHSS

TINY VISE® DOUBLE EDGE CLAMPS

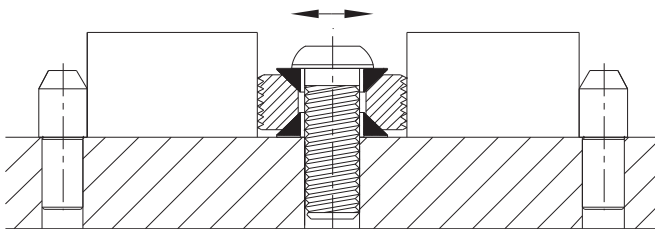
BODY: 1018 STEEL, CARBURIZED-HARDENED, BLACK OXIDE FINISH. SPRINGS: 302 STAINLESS STEEL
GUIDE PINS: 17 4-PH STAINLESS STEEL. THRUST WASHER: 1144 STEEL, HEAT TREATED, BLACK OXIDE FINISH
SOCKET-HEAD CAP SCREW: STEEL, BLACK OXIDE FINISH



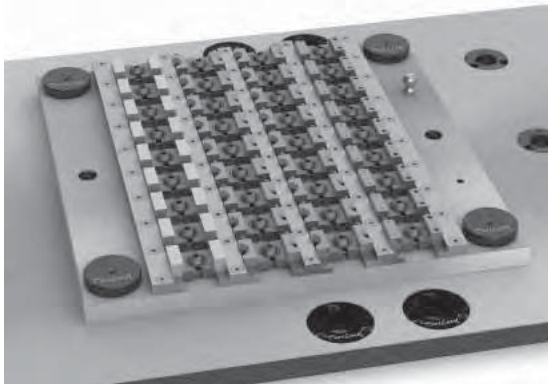
Two Serrated Flat Jaws



Two Smooth Flat Jaws



Thrust Washers have ID clearance to enable them to float horizontally, allowing both clamping jaws to contact their workpiece simultaneously even if parts are slightly different in size. This ensures that both parts are securely clamped with equal force.



Tiny Vise® Edge Clamps are ideal for high-density machining. This quick-change Carr Lock® fixture holds 72 parts using 36 Double Edge Clamps.

Double edge clamps allow clamping two workpieces at the same time with equal force. These mini edge clamps grip the side of a workpiece to keep the top clear for machining. Patented design provides strong, reliable clamping force with the easy turn of a hex wrench. These compact clamps are ideal for fixturing multiple parts, small or large. Available with serrated jaws (for maximum gripping) or smooth jaws (to avoid marring finished parts). These clamps look so simple, but work amazingly well, with major advantages over earlier designs. Patent number 5,961,108. Made in USA.

Clamping force is applied by positive screw action with the easy turn of a hex wrench (not with an unreliable, unsafe eccentric cam as used in other designs). A high-strength cap screw and Thrust Washer engage a mating offset countersink to exert strong clamping force. Much more durable than other designs.

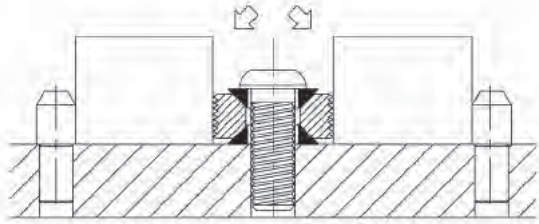
Only Tiny Vise® Mini Edge Clamps truly exert down thrust force on the workpiece, to prevent it from lifting. A Thrust Washer underneath the clamp engages a mating offset countersink to provide downward action.

Only Tiny Vise® Double Edge Clamps compensate for size variation when clamping two workpieces. Thrust Washers have ID clearance to enable them to float horizontally, allowing both clamping jaws to contact their part simultaneously. This ensures that both parts are securely clamped with equal force.

Available in four sizes, from 5/16-18 up to a powerful 1"-8 thread size with 4500 lbs clamping force (M8 to M24 in metric).

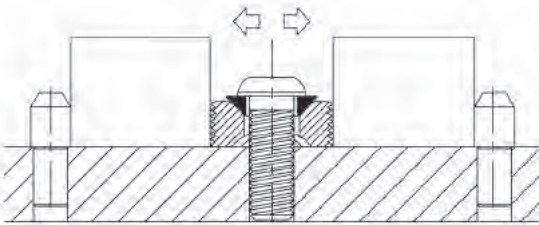
Please note: Tiny Vise® clamps are designed to provide strong clamping force when tightened by hand. Do not exceed the recommended tightening torque. Double edge clamps should always be used to hold two workpieces, not just one; otherwise recommended torque and clamping force will be significantly reduced.

TINY VISE® DOUBLE EDGE CLAMPS



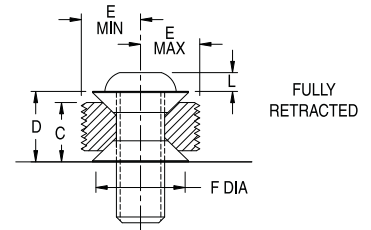
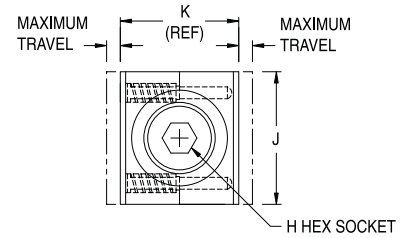
Setup for Downthrust Force
(with Bottom Thrust Washer)

All clamps are supplied with two Thrust Washers (shown in black). The Bottom Thrust Washer is optional. Installing this washer will raise the clamp slightly and provide downthrust force during clamping.

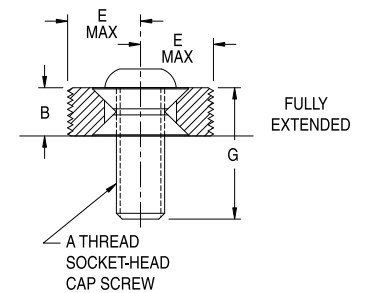


Setup for Horizontal Force
(without Bottom Thrust Washer)

If no downthrust force is required, install the clamp without the Bottom Thrust Washer. Doing so will improve clamping speed because fewer screw turns are required.



FULLY RETRACTED



FULLY EXTENDED

DOUBLE FLAT JAWS (INCH) — SETUP FOR DOWNTHRUST FORCE

PART NO. SERRATED JAWS	PART NO. SMOOTH JAWS	A	B	C	D	E			F DIA	G	H	J	K	L	ALLOWABLE WORKPIECE SIZE DIFFERENTIAL	MAXIMUM TRAVEL (WITH NO SIZE DIFFERENTIAL)	RECOMMENDED TORQUE (FT-LBS)*	APPROX. HORIZONTAL CLAMPING FORCE AT RECOMMENDED TORQUE (LBS)*
						MIN	MID RANGE	MAX										
CL-50-TV	CL-55-TV	5/16-18	.375	.486	.597	.422	.470	.518	.625	1	3/16	1	.844	.16	.048	.096	4.5	450
CL-60-TV	CL-65-TV	3/8-16	.438	.570	.684	.520	.572	.625	.750	1-1/8	7/32	1-1/4	1.250	.19	.052	.105	8	650
CL-80-TV	CL-85-TV	1/2-13	.500	.635	.770	.641	.698	.755	.875	1-1/4	5/16	1-3/8	1.282	.26	.060	.114	19	1200
CL-100-TV	CL-105-TV	5/8-11	.625	.765	.905	.690	.750	.810	1.125	1-1/2	3/8	1-1/2	1.380	.32	.078	.120	38	1800
CL-160-TV	CL-165-TV	1"-8	1.000	1.159	1.318	1.109	1.178	1.247	1.875	2-1/4	3/4	2-1/2	2.218	1.00	.094	.138	150	4500

DOUBLE FLAT JAWS (INCH) — SETUP FOR HORIZONTAL FORCE

CL-50-TV	CL-55-TV	5/16-18	.375	.375	.486	.422	.470	.518	.625	1	3/16	1	.844	.16	.048	.096	9	450
CL-60-TV	CL-65-TV	3/8-16	.438	.438	.570	.520	.572	.625	.750	1-1/8	7/32	1-1/4	1.250	.19	.052	.105	16	650
CL-80-TV	CL-85-TV	1/2-13	.500	.500	.635	.641	.698	.755	.875	1-1/4	5/16	1-3/8	1.282	.26	.060	.114	38	1200
CL-100-TV	CL-105-TV	5/8-11	.625	.625	.765	.690	.750	.810	1.125	1-1/2	3/8	1-1/2	1.380	.32	.078	.120	76	1800
CL-160-TV	CL-165-TV	1"-8	1.000	1.000	1.159	1.109	1.178	1.247	1.875	2-1/4	3/4	2-1/2	2.218	1.00	.094	.138	300	4500

DOUBLE FLAT JAWS (METRIC) — SETUP FOR DOWNTHRUST FORCE

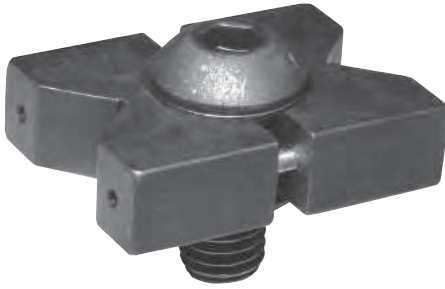
CLM-50-TV	CLM-55-TV	M8	.375	.486	.597	.422	.470	.518	.625	1	5mm	1	.844	.16	.048	.096	4.5	450
CLM-60-TV	CLM-65-TV	M10	.438	.570	.684	.520	.572	.625	.750	1-1/8	6mm	1-1/4	1.250	.19	.052	.105	10	750
CLM-80-TV	CLM-85-TV	M12	.500	.635	.770	.641	.698	.755	.875	1-1/4	8mm	1-3/8	1.282	.26	.060	.114	18	1100
CLM-100-TV	CLM-105-TV	M16	.625	.765	.905	.690	.750	.810	1.125	1-1/2	10mm	1-1/2	1.380	.32	.078	.120	42	2000
CLM-160-TV	CLM-160-TV	M24	1.000	1.000	1.318	1.109	1.178	1.247	1.875	2-1/4	19mm	2-1/2	2.218	1.00	.094	.138	130	4000

DOUBLE FLAT JAWS (METRIC) — SETUP FOR HORIZONTAL FORCE

CLM-50-TV	CLM-55-TV	M8	.375	.375	.486	.422	.470	.518	.625	1	5mm	1	.844	.16	.048	.096	9	450
CLM-60-TV	CLM-65-TV	M10	.438	.438	.570	.520	.572	.625	.750	1-1/8	6mm	1-1/4	1.250	.19	.052	.105	20	750
CLM-80-TV	CLM-85-TV	M12	.500	.500	.635	.641	.698	.755	.875	1-1/4	8mm	1-3/8	1.282	.26	.060	.114	35	1100
CLM-100-TV	CLM-105-TV	M16	.625	.625	.765	.690	.750	.810	1.125	1-1/2	10mm	1-1/2	1.380	.32	.078	.120	84	2000
CLM-160-TV	CLM-160-TV	M24	1.000	1.000	1.159	1.109	1.178	1.247	1.875	2-1/4	19mm	2-1/2	2.218	1.00	.094	.138	260	4000

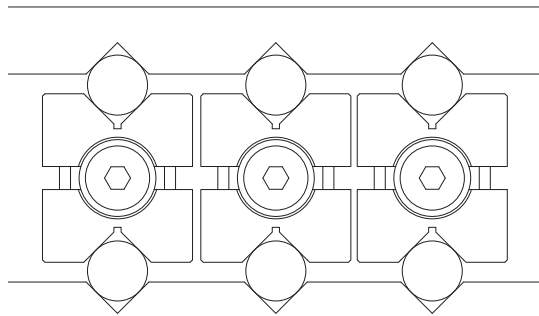
*Recommended torque and clamping force are at 1/3 of yield strength, leaving 2/3 of holding capacity to resist external cutting forces, etc.

TINY VISE® DOUBLE EDGE CLAMPS

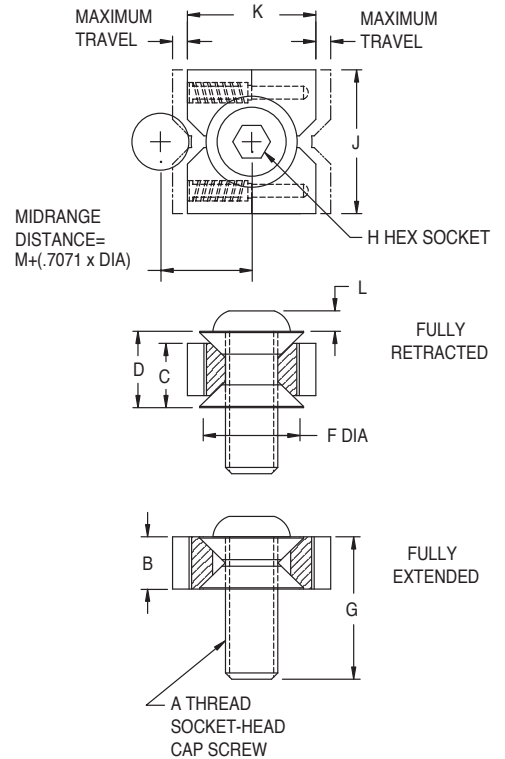


Two V-Jaws

The V-Jaw version of our popular Tiny Vise® is ideal for clamping round workpieces. The 90° V-Jaw can also be used to clamp a rectangular workpiece from two directions with a single clamp at its corner. Double edge clamps allow clamping two workpieces at the same time with equal force.



Multiple workpieces can be clamped extremely close together.



7

DOUBLE V-JAWS (INCH) — SETUP FOR DOWNTHRUST FORCE

PART NO.	A	B	C	D	F DIA	G	H	J	K	L	M	MAXIMUM WORKPIECE DIAMETER	ALLOWABLE WORKPIECE SIZE DIFFERENTIAL	MAX. TRAVEL (WITH NO SIZE DIFFERENTIAL)	RECOMMENDED TORQUE (FT-LBS)*	APPROX. HORIZONTAL CLAMPING FORCE AT RECOMMENDED TORQUE (LBS)*
CL-50-TVR	5/16-18	.375	.486	.597	.625	1	3/16	1-1/4	1.308	.16	.421	3/4	.048	.096	4.5	450
CL-60-TVR	3/8-16	.438	.570	.684	.750	1-1/8	7/32	1-3/8	1.478	.19	.482	27/32	.052	.105	8	650
CL-80-TVR	1/2-13	.500	.635	.770	.875	1-1/4	5/16	1-1/2	1.706	.26	.569	15/16	.060	.114	19	1200
CL-100-TVR	5/8-11	.625	.765	.905	1.125	1-1/2	3/8	1-3/4	2.104	.32	.706	1-1/8	.078	.120	38	1800
CL-160-TVR	1"-8	1.000	1.159	1.318	1.875	2-1/4	3/4	2-1/2	3.350	1.00	1.119	1-3/4	.094	.138	150	4500

DOUBLE V-JAWS (INCH) — SETUP FOR HORIZONTAL FORCE

CL-50-TVR	5/16-18	.375	.375	.486	.625	1	3/16	1-1/4	1.308	.16	.421	3/4	.048	.096	9	450
CL-60-TVR	3/8-16	.438	.438	.570	.750	1-1/8	7/32	1-3/8	1.478	.19	.482	27/32	.052	.105	16	650
CL-80-TVR	1/2-13	.500	.500	.635	.875	1-1/4	5/16	1-1/2	1.706	.26	.569	15/16	.060	.114	38	1200
CL-100-TVR	5/8-11	.625	.625	.765	1.125	1-1/2	3/8	1-3/4	2.104	.32	.706	1-1/8	.078	.120	76	1800
CL-160-TVR	1"-8	1.000	1.000	1.159	1.875	2-1/4	3/4	2-1/2	3.350	1.00	1.119	1-3/4	.094	.138	300	4500

DOUBLE V-JAWS (METRIC) — SETUP FOR DOWNTHRUST FORCE

CLM-50-TVR	M8	.375	.486	.597	.625	1	3/16	1-1/4	1.308	.16	.421	3/4	.048	.096	4.5	450
CLM-60-TVR	M10	.438	.570	.684	.750	1-1/8	7/32	1-3/8	1.478	.19	.482	27/32	.052	.105	10	750
CLM-80-TVR	M12	.500	.635	.770	.875	1-1/4	5/16	1-1/2	1.706	.26	.569	15/16	.060	.114	18	1100
CLM-100-TVR	M16	.625	.765	.905	1.125	1-1/2	3/8	1-3/4	2.104	.32	.706	1-1/8	.078	.120	42	2000
CLM-160-TVR	M24	1.000	1.159	1.318	1.875	2-1/4	3/4	2-1/2	3.350	1.00	1.119	1-3/4	.094	.138	130	4000

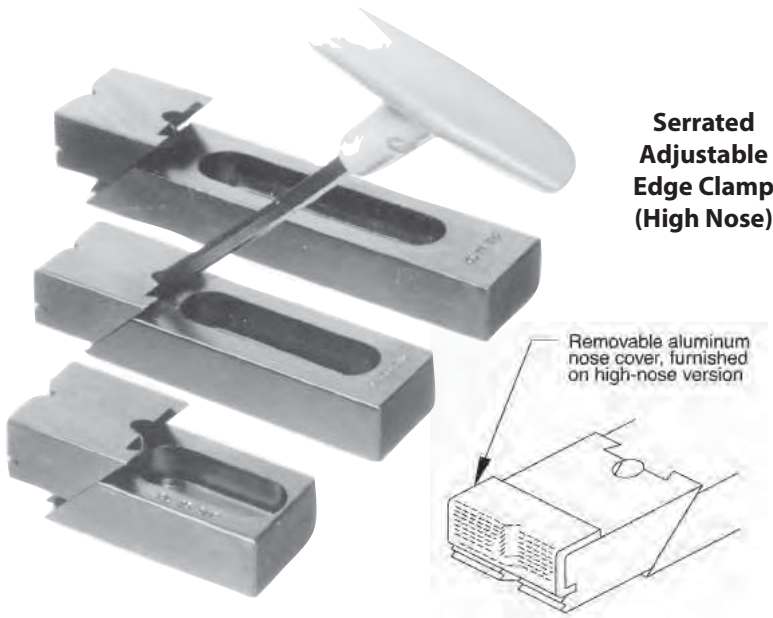
DOUBLE V-JAWS (METRIC) — SETUP FOR HORIZONTAL FORCE

CLM-50-TVR	M8	.375	.375	.486	.625	1	3/16	1-1/4	1.308	.16	.421	3/4	.048	.096	9	450
CLM-60-TVR	M10	.438	.438	.570	.750	1-1/8	7/32	1-3/8	1.478	.19	.482	27/32	.052	.105	20	750
CLM-80-TVR	M12	.500	.500	.635	.875	1-1/4	5/16	1-1/2	1.706	.26	.569	15/16	.060	.114	35	1100
CLM-100-TVR	M16	.625	.625	.765	1.125	1-1/2	3/8	1-3/4	2.104	.32	.706	1-1/8	.078	.120	84	2000
CLM-160-TVR	M24	1.000	1.000	1.159	1.875	2-1/4	3/4	2-1/2	3.350	1.00	1.119	1-3/4	.094	.138	260	4000

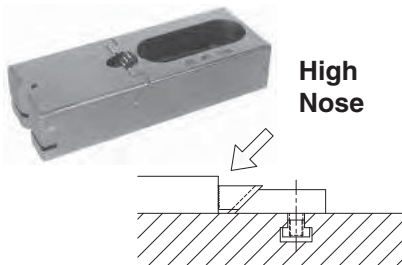
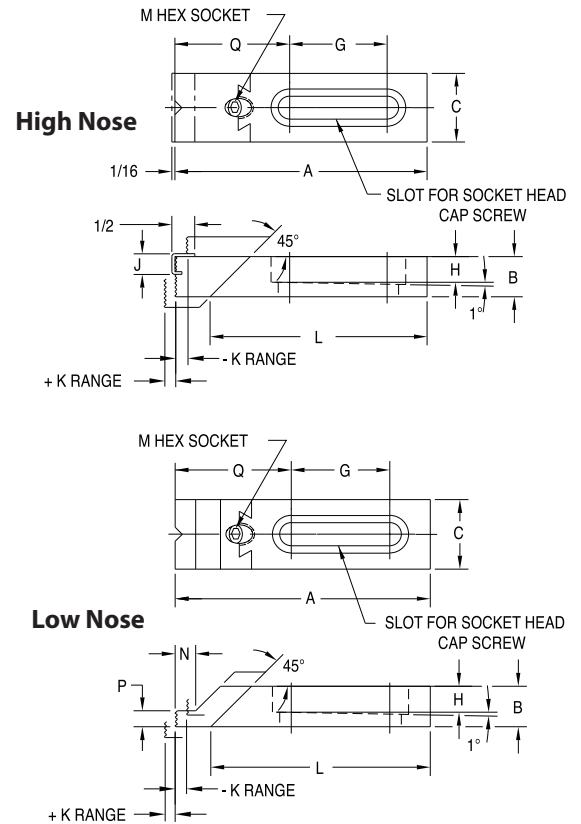
*Recommended torque and clamping force are at 1/3 of yield strength, leaving 2/3 of holding capacity to resist external cutting forces, etc.

SERRATED EDGE CLAMPS

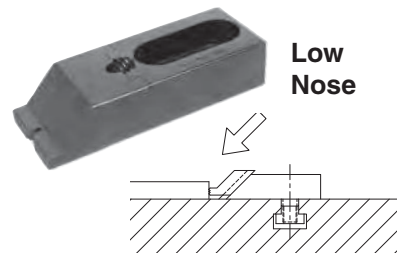
BODY AND NOSE: 1018 STEEL, CARBURIZED-HARDENED, BLACK OXIDE FINISH
 CLAMPING SCREW: 4140 STEEL, HEAT TREATED RC 43-45, BLACK OXIDE FINISH
 NOSE COVER: ALUMINUM



This low-profile clamp is ideal for gripping the side of a workpiece to keep the top clear for machining. Clamps both forward and down simultaneously, by tightening the socket-head screw in the sliding nose with a hex wrench. V-groove in nose is excellent for clamping round parts or corners. Choice of five sizes, each available in several slot lengths. Slot is tapered to prevent the clamp from backing off under heavy forces. Use two mounting screws on longer clamps.



High-nose version is best for most applications. Gripping high up on the workpiece, close to the machining plane, provides maximum clamping rigidity. A removable aluminum nose cover is furnished for clamping soft or machined parts without damage.



Low-nose version is ideal for thin parts, with its extra machining clearance.

ADJUSTABLE — HIGH NOSE

PART NO.	MOUNTING SCREW SIZE	A	B	C	G	H	J	K	L	M	N	P	Q
CL-1-SAC	5/16-18 or M8	2	5/8	1	1/4	9/32	7/16	1/4	1-1/2	5/32	—	—	1-3/8
CL-5-SAC		3			1-1/4				2-1/2				
CL-15-SAC	3/8-16 or M10	3	5/8	1-1/4	13/16	3/8	7/16	1/4	2-3/8	3/16	—	—	1-11/16
CL-25-SAC		4-1/4			1-7/16				3-5/8				2-1/16
CL-35-SAC	5	5	5/8	1-1/4	2-1/8	3/8	7/16	1/4	4-3/8	3/16	—	—	1-7/8
CL-45-SAC		4			1-1/4				3-3/16				2-1/4
CL-55-SAC	1/2-13 or M12	5-1/2	7/8	1-1/2	2-1/8	1/2	5/8	5/16	4-11/16	1/4	—	—	2-1/2
CL-65-SAC		7-1/8			3				6-5/16				2-9/16
CL-75-SAC	5/8-11 or M16	5-1/2	1-1/4	1-3/4	1-3/8	5/8	3/4	5/16	4-1/2	5/16	—	—	3-9/32
CL-95-SAC		8-1/4			4				7-1/4				3
CL-105-SAC	3/4-10 or M20	5-1/2	1-1/4	1-3/4	1-3/8	3/4	3/4	5/16	4-1/2	5/16	—	—	3-9/32
CL-125-SAC		8-1/4			4				7-1/4				3

ADJUSTABLE — LOW NOSE

PART NO.	MOUNTING SCREW SIZE	A	B	C	G	H	J	K	L	M	N	P	Q
CL-0-SAC	5/16-18 or M8	2	5/8	1	1/4	9/32	—	1/4	1-1/2	5/32	1/8	1/8	1-3/8
CL-00-SAC		3			1-1/4				2-1/2				
CL-10-SAC	3/8-16 or M10	3	5/8	1-1/4	13/16	3/8	—	1/4	2-3/8	3/16	1/4	1/4	1-11/16
CL-20-SAC		4-1/4			1-7/16				3-5/8				2-1/16
CL-30-SAC	5	5	5/8	1-1/4	2-1/8	3/8	—	1/4	4-3/8	3/16	1/4	1/4	1-7/8
CL-40-SAC		4			1-1/4				3-3/16				2-1/4
CL-50-SAC	1/2-13 or M12	5-1/2	7/8	1-1/2	2-1/8	1/2	—	5/16	4-11/16	1/4	1/4	1/4	2-1/2
CL-60-SAC		7-1/8			3				6-5/16				2-9/16
CL-70-SAC	5/8-11 or M16	5-1/2	1-1/4	1-3/4	1-3/8	5/8	—	5/16	4-1/2	5/16	5/16	3/8	3-9/32
CL-90-SAC		8-1/4			4				7-1/4				3
CL-100-SAC	3/4-10 or M20	5-1/2	1-1/4	1-3/4	1-3/8	3/4	—	5/16	4-1/2	5/16	5/16	3/8	3-9/32
CL-120-SAC		8-1/4			4				7-1/4				3

SERRATED EDGE CLAMPS

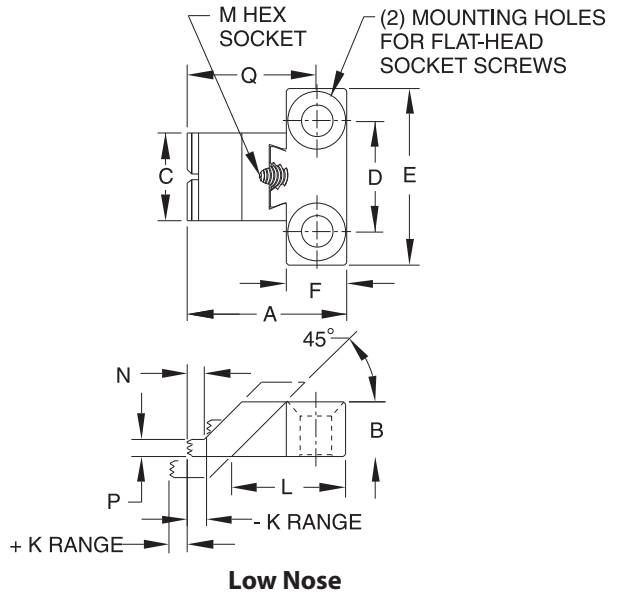
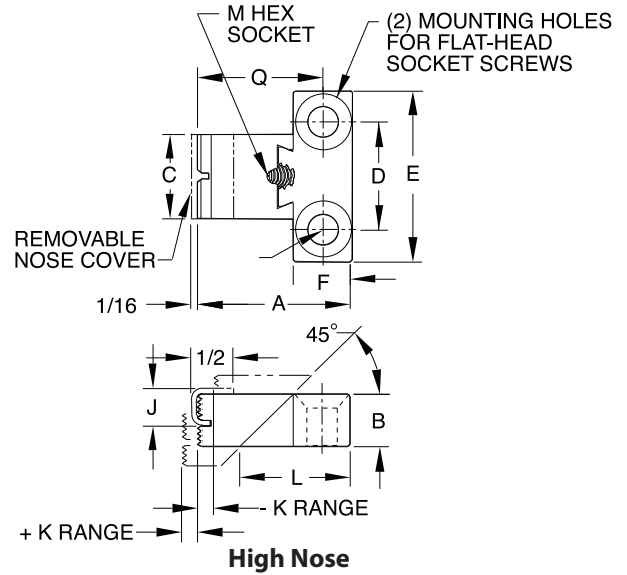
BODY AND NOSE: 1018 STEEL, CARBURIZED-HARDENED, BLACK OXIDE FINISH
 CLAMPING SCREW: 4140 STEEL, HEAT TREATED RC 43-45, BLACK OXIDE FINISH
 NOSE COVER: ALUMINUM



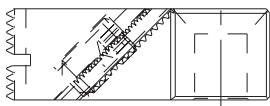
**Serrated
Fixed
Edge Clamp
(High Nose)**



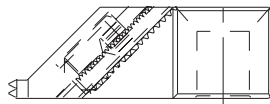
**Serrated
Fixed
Edge Clamp
(Low Nose)**



Serrated Fixed Edge Clamps mount in a fixed position, rather than having a slot for adjustment. This makes the clamps more compact and ensures that they are mounted in the correct location without requiring adjustment. The fixed version is usually better for permanent fixtures, while the adjustable version is better for machine-table mounting. The Flat-Head Socket Screws used for mounting absolutely hold proper location (order separately). Choice of three clamp sizes, with either a high nose or low nose.



High Nose



Low Nose

FIXED POSITION — HIGH NOSE

PART NO.	MOUNTING SCREW SIZE	A	B	C	D	E	F	J	K	L	M	N	P	Q	FLAT-HEAD SOCKET SCREWS (2 REQ'D) ORDER SEPARATELY
CL-5-SFC	5/16-18	1-13/16	5/8	1	1	1-3/4	11/16	7/16	1/4	1-5/16	5/32	—	—	1-15/32	CL-5/16-18x1.00-FHSS
CL-45-SFC	1/2-13	2-11/16	7/8	1-1/2	2	3	1	5/8	5/16	1-7/8	1/4	—	—	2-3/16	CL-1/2-13x1.38-FHSS
CL-75-SFC	5/8-11	3-1/2	1-1/4	1-3/4	2	3-1/4	1-1/4	3/4	5/16	2-1/2	5/16	—	—	2-7/8	CL-5/8-11x2.00-FHSS

FIXED POSITION — LOW NOSE

CL-0-SFC	5/16-18	1-13/16	5/8	1	1	1-3/4	11/16	7/16	1/4	1-5/16	5/32	1/8	1/8	1-15/32	CL-5/16-18x1.00-FHSS
CL-40-SFC	1/2-13	2-11/16	7/8	1-1/2	2	3	1	5/8	5/16	1-7/8	1/4	1/4	1/4	2-3/16	CL-1/2-13x1.38-FHSS
CL-70-SFC	5/8-11	3-1/2	1-1/4	1-3/4	2	3-1/4	1-1/4	3/4	5/16	2-1/2	5/16	5/16	3/8	2-7/8	CL-5/8-11x2.00-FHSS

CAM EDGE CLAMPS

BODY: STEEL, WEAR SURFACES HARDENED, BLACK OXIDE FINISH
BALL HANDLE: BLACK PHENOLIC PLASTIC

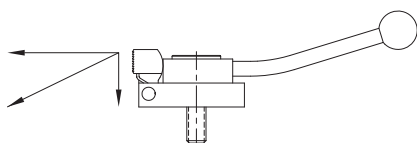


Fixed Base

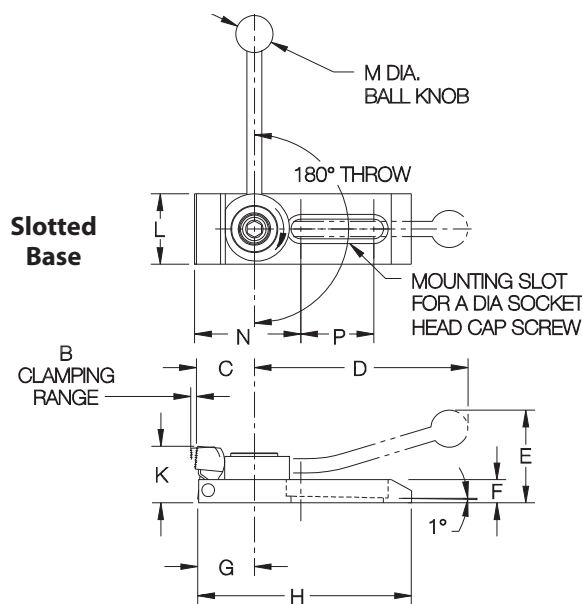
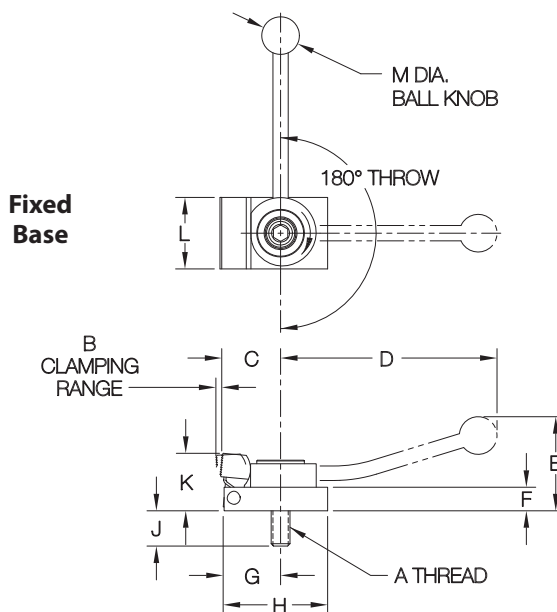


Slotted Base

Pivoting-nose edge clamp operated by a cam handle for fast action. Smooth spiral cam locks positively anywhere within its 180° throw. Choice of two sizes. Available with either a standard base for fixed-position mounting, or a slotted base for adjustable mounting. Choice of clockwise or counterclockwise handle rotation to clamp.



Nose pivots to exert clamping force forward and downward at the same time.



FIXED BASE (INCH)

PART NO.		A	B	C	D	E	F	G	H	J	K		L	M	N	P	MAX CLAMPING FORCE (LBS)	
CLOCKWISE CLAMPING	CCW CLAMPING										MIN	MAX					HORIZONTAL	VERTICAL
CL-MF25-5601	CL-MF25-5602	5/16-18	5/32	1-1/8	3-15/16	1-5/8	7/16	15/16	1-3/4	11/16	7/8	1	1-1/4	3/4	—	—	750	50
CL-MF40-5601	CL-MF40-5602	1/2-13	7/32	1-9/16	5-3/4	2-1/2	5/8	1-1/2	2-3/4	15/16	1-5/16	1-1/2	1-7/8	1	—	—	1500	100

FIXED BASE (METRIC)

CL-MF08-5601	CL-MF08-5602	M8	5/32	1-1/8	3-15/16	1-5/8	7/16	15/16	1-3/4	.31	7/8	1	1-1/4	3/4	—	—	750	50
CL-MF12-5601	CL-MF12-5602	M12	7/32	1-9/16	5-3/4	2-1/2	5/8	1-1/2	2-3/4	.47	1-5/16	1-1/2	1-7/8	1	—	—	1500	100

SLOTTED BASE

CL-MF25-5611	CL-MF25-5612	5/16-18 or M8	5/32	1-1/8	3-15/16	1-5/8	7/16	15/16	3-1/2	—	7/8	1	1-1/4	3/4	2	1	750	50
CL-MF40-5611	CL-MF40-5612	1/2-13 or M12	7/32	1-9/16	5-3/4	2-1/2	5/8	1-1/2	6	—	1-5/16	1-1/2	1-7/8	1	2-15/16	2	1500	100

SWING CLAMPS

TYPES



HOOK CLAMPS - SHORT ARM

Extremely compact swing clamp that mounts in a reamed hole. Compact assembly is ideal for installation in tight spaces and where high clamping forces are required. Choice of socket head (counterbored) or hex-nut type.



HOOK CLAMPS - LONG ARM

Long-arm Hook Clamps are available with either a plain or tapped arm. The tapped-arm version accepts a wide variety of contact bolts or spindles to increase clamping-height range (the tapped arm is slightly longer). Ideal in tight spaces where high clamping force is required.



HOOK CLAMPS - CAM HANDLE

The tapped-arm version is optionally available with a cam handle, to allow clamping without a separate wrench.



HOOK CLAMP HOLDERS

This compact mounting adapter is made to work with Long-Arm Hook Clamps. Precision bored hole for smooth swing action.



HORIZONTAL CAM LEVER - ONE-TOUCH QUICK-ACTING SWING CLAMP

One-Touch Swing Clamps are manually operated clamps that first rotate 70° clockwise into position, then clamp straight down in one continuous motion. The Horizontal Cam Lever is operated by a radial cam lever that swings in an horizontal arc.



VERTICAL CAM LEVER - ONE-TOUCH QUICK-ACTING SWING CLAMP

One-Touch Swing Clamps are manually operated clamps that first rotate 70° clockwise into position, then clamp straight down in one continuous motion. The Vertical Cam Lever is operated by a radial cam lever that swings in a vertical arc. Ideal for confined spaces with no room for a horizontal handle swing.



HEX DRIVE - ONE-TOUCH QUICK-ACTING SWING CLAMP

One-Touch Swing Clamps are manually operated clamps that first rotate 70° clockwise into position, then clamp straight down in one continuous motion. The Hex Drive is operated by a screw mechanism with a hex drive nut. This allows for exact clamping-force control using a torque wrench.



SWING CLAMP ASSEMBLIES

A variety of assemblies featured on pages 278-279.



UP-THRUST CLAMP

Combination clamp and locator with a unique upward clamping action. Pushing down the cam handle pulls the lower jaw upward. This clamps the workpiece against the stationary upper jaw, whose bottom surface is a precision-ground locator.

SEE ALSO:



ROEMHELD
HILMA ■ STARK

AIR-POWERED:
pp. 619-620



HYDRAULIC:
pp. 621-630



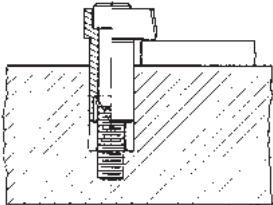
HOOK CLAMPS

CLAMP BODY: 12L14 STEEL, CARBURIZED-HARDENED, BLACK OXIDE FINISH



**Standard Arm
Socket Head**

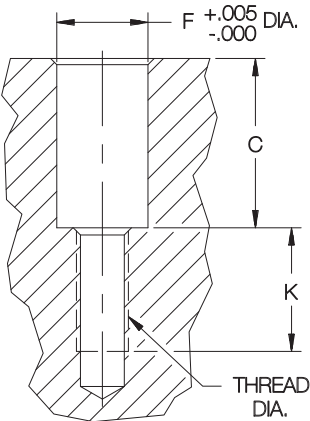
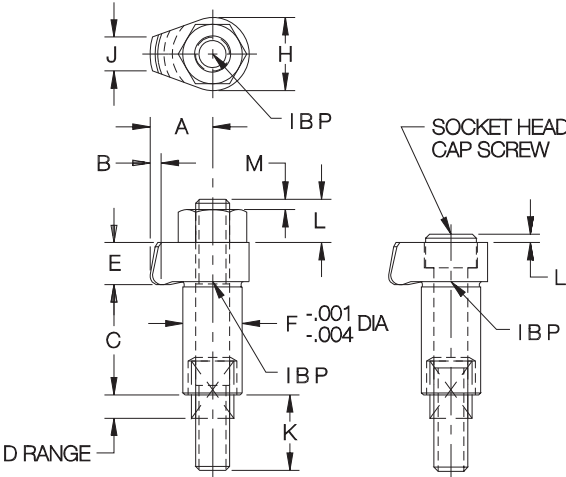
Extremely compact swing clamp that mounts in a reamed hole. Ideal in tight spaces and where high clamping forces are required. Choice of socket head (counterbored) or hex-nut type.



Compact assembly is easy to install in tight spaces. Socket-head type shown above offers a very low profile.



**Standard Arm
Hex Nut**



**Installation
Hole**

STANDARD ARM, SOCKET HEAD (INCH)

PART NO.	THREAD DIA	A	B	C	D CLAMPING RANGE	E	F DIA	H DIA	J	K	L	M
CL-1-CAC	5/16-18	.67	.08	.93	.25	.55	.625	.80	.40	.69		
CL-2-CAC	1/2-13	.92	.12	1.63	.50	.63	.875	1.08	.50	1.13	.12	—
CL-3-CAC	5/8-11	1.30	.18	1.83	.70	.90	1.125	1.38	.75	1.25		

STANDARD ARM, SOCKET HEAD (METRIC)

CLM-1-CAC	M8	.67	.08	.93	.25	.55	.625	.80	.40	.66		
CLM-2-CAC	M12	.92	.12	1.63	.50	.63	.875	1.08	.50	1.28	.12	—
CLM-3-CAC	M16	1.30	.18	1.83	.70	.90	1.125	1.38	.75	1.31		

STANDARD ARM, HEX NUT (INCH)

CL-1-CA	5/16-18	.67	.08	.93	.25	.55	.625	.80	.40	1.14	.30	.06
CL-2-CA	1/2-13	.92	.12	1.63	.50	.63	.875	1.08	.50	1.19	.48	.08
CL-3-CA	5/8-11	1.30	.18	1.83	.70	.90	1.125	1.38	.75	1.57	.61	.09

STANDARD ARM, HEX NUT (METRIC)

CLM-1-CA	M8	.67	.08	.93	.25	.55	.625	.80	.40	.69	.32	.05
CLM-2-CA	M12	.92	.12	1.63	.50	.63	.875	1.08	.50	1.02	.47	.07
CLM-3-CA	M16	1.30	.18	1.83	.70	.90	1.125	1.38	.75	1.48	.63	.08

HOOK CLAMPS

CLAMP BODY: 4135 STEEL, HEAT TREATED, BLACK OXIDE FINISH
 SOCKET-HEAD CAP SCREW, BLACK OXIDE FINISH
 SPRING: SPRING STEEL, BLACK OXIDE FINISH



**Long Arm
Socket Head**



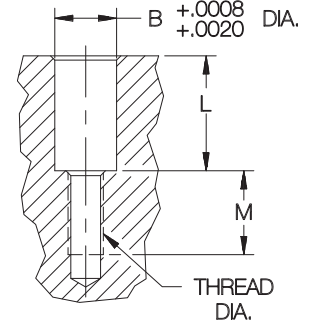
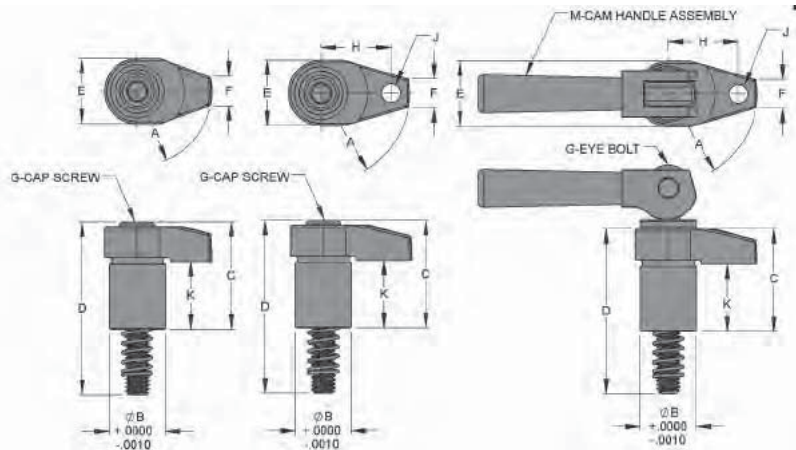
**Tapped Long Arm
Socket Head**



**Tapped Long Arm
Cam Handle**

The tapped-arm version is optionally available with a cam handle, to allow clamping without a separate wrench. Use with an adjustable contact bolt to utilize maximum cam travel.

Long-arm Hook Clamps available with either a plain or tapped arm. The tapped-arm version accepts a wide variety of contact bolts or spindles to increase clamping-height range (the tapped arm is also slightly longer). Mounts in a reamed hole or in a Hook-Clamp Mounting Block or Holder (order separately). Ideal in tight spaces where high clamping force is required. Available in three sizes.



**Installation
Hole**

LONG ARM (INCH)

PART NO.		THREAD DIA	A	B	C	D	E	F	G	H	J	K	L	M	MAXIMUM ALLOWABLE TORQUE (FT-LBS)	MAXIMUM CLAMPING FORCE (LBS)
SOCKET HEAD	CAM HANDLE															
CL-MF25-5002	—	5/16-18	1	.7500	1-7/16	2-5/16	7/8	3/8	5/16-18	—	—	29/32	15/16	15/16	22	2200
CL-MF40-5002	—	1/2-13	2	1.0000	2-1/2	3-1/2	1-1/4	11/16	1/2-13	—	—	1-17/32	1-9/16	1	34	2700
CL-MF50-5002	—	5/8-11	2	1.2500	2-7/8	3-7/8	1-7/16	7/8	5/8-11	—	—	1-17/32	1-9/16	1	59	3700

TAPPED LONG ARM (INCH)

CL-MF25-5013	CL-MF25-5020	5/16-18	1-3/16	.7500	1-7/16	2-5/16	7/8	3/8	5/16-18	15/16	5/16-18	29/32	15/16	15/16	22	2200
CL-MF40-5013	CL-MF40-5020	1/2-13	2-3/8	1.0000	2-1/2	3-1/2	1-1/4	11/16	1/2-13	1-13/16	1/2-13	1-17/32	1-9/16	1	34	2700
CL-MF50-5014	CL-MF50-5020	5/8-11	2-3/8	1.2500	2-7/8	3-7/8	1-7/16	7/8	5/8-11	1-13/16	5/8-11	1-17/32	1-9/16	1	59	3700

LONG ARM (METRIC)

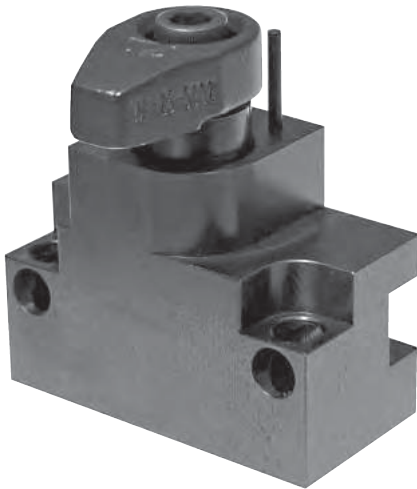
CL-MF08-5002	—	M8	1	.7087(18mm)	1.46	2.28	.87	.39	M8	—	—	.91	.98	.84	22	2200
CL-MF12-5002	—	M12	2	.9843(25mm)	2.68	3.62	1.25	.69	M12	—	—	1.54	1.57	.96	34	2700
CL-MF16-5002	—	M16	2	1.2598(32mm)	2.95	3.98	1.44	.87	M16	—	—	1.54	1.57	.96	59	3700

TAPPED LONG ARM (METRIC)

CL-MF08-5013	CL-MF08-5020	M8	1.19	.7087(18mm)	1.46	2.28	.87	.39	M8	.94	M8	.98	.79	.84	22	2200
CL-MF12-5013	CL-MF12-5020	M12	2.38	.9843(25mm)	2.68	3.62	1.25	.69	M12	1.81	M12	1.54	1.57	.96	34	2700
CL-MF16-5013	CL-MF16-5020	M16	2.38	1.2598(32mm)	2.95	3.98	1.44	.87	M16	1.81	M12	1.54	1.57	.96	59	3700

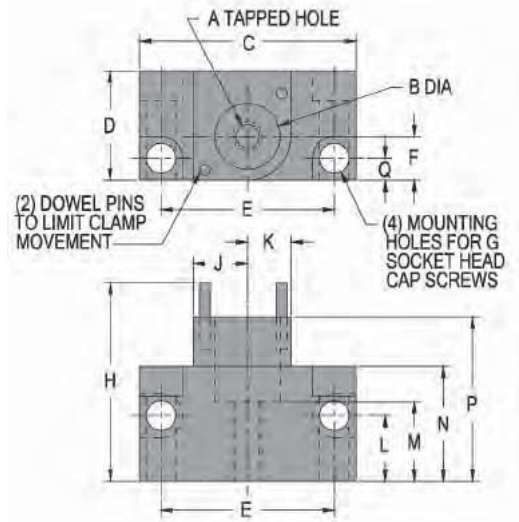
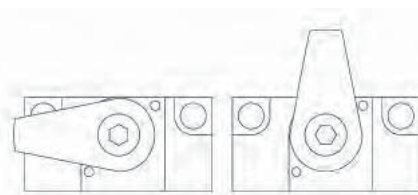
HOOK CLAMPS

MOUNTING BLOCKS AND HOLDERS: 1045 STEEL, BLACK OXIDE FINISH



Hook-Clamp Mounting Block
(order Hook-Clamp separately)

These mounting blocks for long-arm Hook Clamps have built-in 90° stops that provide consistent arm positioning in both clamped and unclamped position. Two sets of mounting holes allow either base mounting or side mounting. Precision bored hole for smooth swing action. Available for all three sizes of long-arm Hook Clamps.



HOOK-CLAMP MOUNTING BLOCKS (INCH)

PART NO.	A	B	C	D	E	F	G	H	J	K	L	M	N	P	Q
CL-MF25-5800	5/16-18	.7500	2-1/2	1-1/4	2	1/2	5/16-18 OR M8	2-1/2	5/8	1/2	3/4	29/32	1-5/16	1-7/8	1/4
CL-MF40-5800	1/2-13	1.0000	2-3/4	2	2	1	1/2-13 OR M12	3-3/4	1	3/4	1	1-5/32	1-7/8	2-3/4	3/8
CL-MF50-5800	5/8-11	1.0000	5	2	4	1	5/8-11 OR M16	3-3/4	1	1	1-1/4	1-5/32	2-1/4	2-3/4	1/2

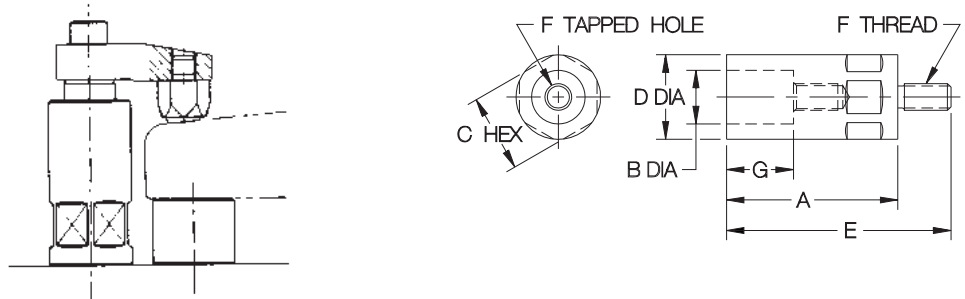
HOOK-CLAMP MOUNTING BLOCKS (METRIC)

CL-MF08-5800	M8	.7087 (18mm)	1.97	1.00	1.50	.47	M6 or 1/4-20	2.50	.55	.55	.71	.91	.98	1.87	.25
CL-MF12-5800	M12	.9843 (25mm)	2.95	1.50	2.17	.65	M10 or 3/8-16	3.64	.79	.79	.94	1.16	1.38	2.64	.35
CL-MF16-5800	M16	1.2598 (32mm)	3.46	1.75	2.56	.77	M12 or 1/2-13	4.43	.94	.94	1.26	1.16	1.77	3.43	.39



Hook-Clamp Holder

Compact mounting adapter for long-arm Hook-Clamps. Precision bored hole for smooth swing action.



HOOK-CLAMP HOLDERS (INCH)

PART NO.	F THREAD DIA	A	B DIA	C	D DIA	E	G
CL-MF25-5101	5/16-18	2-1/4	.7500	7/8	1	3	15/16
CL-MF40-5101	1/2-13	3-1/8	1.0000	1-7/16	1-9/16	4-3/8	1-9/16
CL-MF40-5102		4				5-1/4	
CL-MF50-5101	5/8-11	3-1/8	1.2500	1-3/4	2	4-3/8	1-9/16
CL-MF50-5102		4				5-1/4	

HOOK-CLAMP HOLDERS (METRIC)

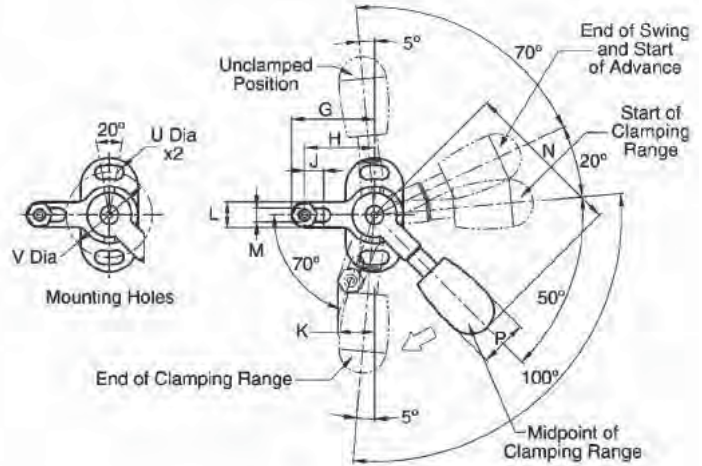
CL-MF08-5101	M8	2.17	.7087 (18mm)	.87 (22mm)	.94	2.91	.98
CL-MF12-5101	M12	3.15	.9843 (25mm)	1.42 (36mm)	1.57	4.33	1.57
CL-MF16-5101	M16	3.15	1.2598 (32mm)	1.81 (46mm)	1.97	4.33	1.57

ONE-TOUCH QUICK-ACTING SWING CLAMPS

BASE, SPINDLE, AND LEVER: 1045 STEEL, HEAT TREATED, BLACK OXIDE FINISH
 CLAMPING-ARM BODY AND SPIRAL-CAM SHAFT: ALLOY STEEL, HEAT TREATED, BLACK OXIDE FINISH
 KNOB HANDLE: BLACK PHENOLIC PLASTIC



**Horizontal
Cam Lever**

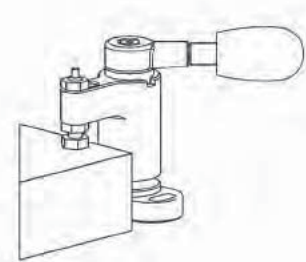
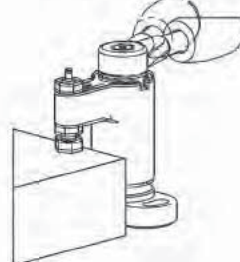
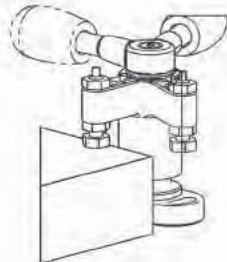
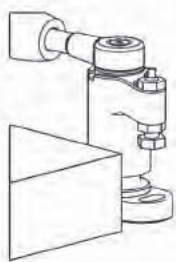
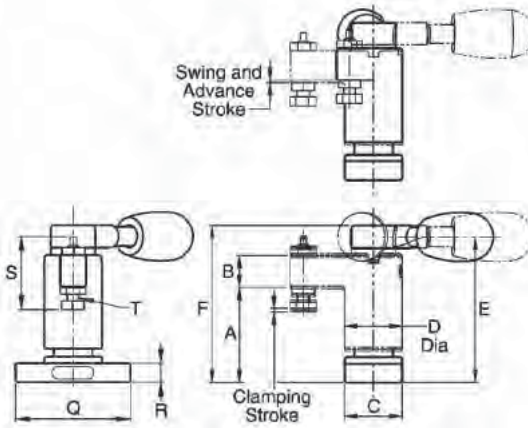


One-Touch Swing Clamps are manually operated clamps that first rotate 70° clockwise into position then clamp straight down in one continuous motion. The version shown here is operated by a radial cam lever that swings in an horizontal arc. Available in four sizes.

7

Starting with the clamping arm swung away for loading, turn the lever to rotate the arm into clamping position and automatically move the arm downward to apply clamping force. A small portion of the total vertical stroke is used to swing, and slightly advance the clamping arm, then the remaining stroke is available as the clamping range. To unclamp, reverse the lever movement to lift the arm straight up and automatically return the arm to its original position for loading.

Mount clamp with two socket-head cap screws using the two mounting slots. To allow for workpiece variation, adjust spindle extension so that full clamping force is achieved approximately in the middle of the lever's 100° clamping range.



1. Starting position, with clamping arm swung away for loading.
2. Turn lever (70°) to rotate the arm into clamping position.
3. Continue turning lever (through 90°) to advance the arm toward the workpiece.
4. Continue turning lever (90° to 190°) until full clamping force is applied.

HORIZONTAL CAM LEVER (INCH)

PART NO.	MAX CLAMPING FORCE (LBS)	MAX. ALLOWABLE TORQUE (FT-LBS)	SWING AND ADVANCE STROKE	CLAMPING STROKE (MAX.)	A			B	C	D DIA	E	F	G	H	J	K	L	M	N	P DIA	Q	R	S	T SOCKET SET-SCREW	U DIA	V DIA
					UN-CLAMPED POSITION	START OF CLAMPING RANGE	END OF CLAMPING RANGE																			
CL-100-QSCR	250	4	.03	.04	1.21	1.18	1.14	.39	.71	.71	1.80	1.93	1.02	1.02	.24	.45	.31	.169	1.97	.59	1.42	.24	.88	#8-32	.169	1.063
CL-150-QSCR	400	7	.04	.06	1.62	1.58	1.52	.55	.91	.91	2.41	2.60	1.38	1.18	.31	.60	.39	.209	2.48	.79	1.77	.31	1.00	#10-24	.209	1.339
CL-200-QSCR	500	12	.05	.06	2.02	1.97	1.91	.71	1.18	1.18	3.01	3.23	1.77	1.46	.31	.81	.63	.331	3.15	1.02	2.56	.47	1.50	5/16-18	.331	1.890
CL-300-QSCR	800	23	.07	.07	2.43	2.36	2.29	.87	1.57	1.57	3.66	3.94	2.17	1.77	.31	1.00	.79	.409	3.94	1.30	3.35	.59	2.00	3/8-16	.409	2.520

ONE-TOUCH QUICK-ACTING SWING CLAMPS

BASE, WASHER, AND SPINDLE: 1045 STEEL, HEAT TREATED, BLACK OXIDE FINISH
CLAMPING-ARM BODY AND CAM HANDLE: ALLOY STEEL, HEAT TREATED, BLACK OXIDE FINISH

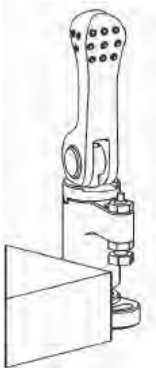
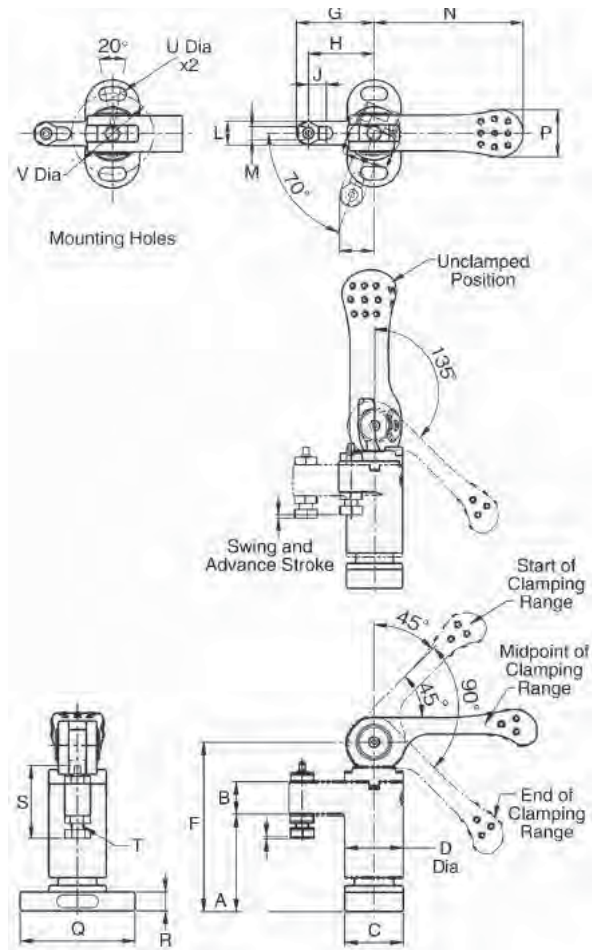


Vertical Cam Handle

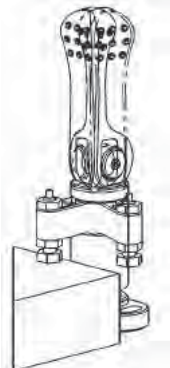
One-Touch Swing Clamps are manually operated clamps that first rotate 70° clockwise into position then clamp straight down in one continuous motion. The version shown here is operated by a cam handle that swings in a vertical arc. Ideal for confined spaces with no room for a horizontal handle swing. Available in four sizes.

Starting with the handle upright and the clamping arm swung away for loading, first twist the handle to rotate the arm into clamping position, then push the handle downward to lower the arm and apply clamping force. A small portion of the total vertical stroke is used to swing, and slightly advance the clamping arm, then the remaining stroke is available as the clamping range. Reverse the process to unclamp and return the arm to its original position for loading.

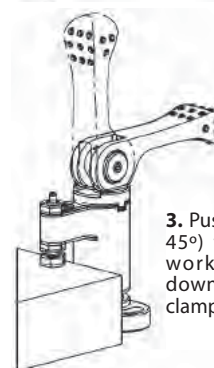
Mount clamp with two socket-head cap screws using the two mounting slots. To allow for workpiece variation, adjust spindle extension so that full clamping force is achieved approximately in the middle of the lever's 100° clamping range.



1. Starting position, with handle upright and clamping arm swung away for loading.



2. Twist handle (70°) to rotate the arm into clamping position.



3. Push handle downward (through 45°) to advance the arm to the workpiece. Continue pushing downward (45° to 135°) until full clamping force is applied.

VERTICAL CAM HANDLE (INCH)

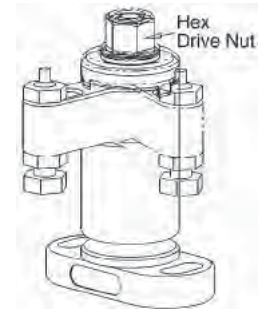
PART NO.	MAX CLAMPING FORCE (LBS)	MAX. ALLOWABLE TORQUE (FF-LBS)	SWING AND ADVANCE STROKE	CLAMPING STROKE (MAX.)	A			B	C	D DIA	F	G	H	J	K	L	M	N	P	Q	R	S	T SOCKET SET-SCREW	U DIA	V DIA
					UN-CLAMPED POSITION	START OF CLAMPING RANGE	END OF CLAMPING RANGE																		
CL-100-QSCV	180	4	.03	.04	1.21	1.18	1.14	.39	.71	.71	2.05	1.02	.87	.24	.45	.31	.169	1.97	.63	1.42	.24	.88	#8-32	.169	1.063
CL-150-QSCV	340	7	.04	.06	1.62	1.58	1.52	.55	.91	.91	2.68	1.38	1.18	.31	.60	.39	.209	2.48	.75	1.77	.31	1.00	#10-24	.209	1.339
CL-200-QSCV	470	12	.05	.06	2.02	1.97	1.91	.71	1.18	1.18	3.43	1.77	1.46	.31	.81	.63	.331	3.15	.94	2.56	.47	1.50	5/16-18	.331	1.890
CL-300-QSCV	630	22	.07	.07	2.43	2.36	2.29	.87	1.57	1.57	4.21	2.17	1.77	.31	1.00	.79	.409	3.94	1.8	3.35	.59	2.00	3/8-16	.409	2.520

ONE-TOUCH QUICK-ACTING SWING CLAMPS

BASE, WASHER, SPINDLE, AND HEX DRIVE NUT: 1045 STEEL, HEAT TREATED, BLACK OXIDE FINISH
 CLAMPING-ARM BODY: ALLOY STEEL, HEAT TREATED, BLACK OXIDE FINISH



Hex Drive



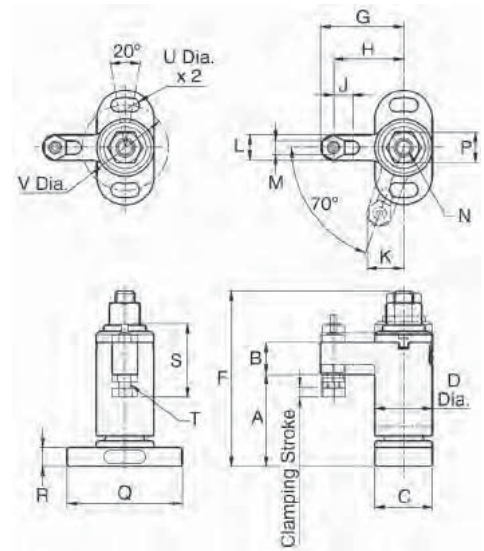
Starting with the clamping arm swung away for loading, tighten the flange nut to rotate the arm into clamping position and automatically move the arm downward to apply clamping force.

7

One-Touch Swing Clamps are manually operated clamps that first rotate 70° clockwise into position then clamp straight down in one continuous motion. The version shown here is operated by a screw mechanism with a hex drive nut. This allows for exact clamping-force control using a torque wrench. The screw mechanism also provides a longer clamping stroke and greater clamping force than the versions with cam locking. Available in four sizes.

Starting with the clamping arm swung away for loading, tighten the hex drive nut to rotate the arm into clamping position and automatically move the arm downward to apply clamping force. A small portion of the total vertical stroke is used to swing the clamping arm, then the remaining stroke is available as the clamping range. To unclamp, turn the flange nut counterclockwise to lift the arm straight up and automatically return the arm to its original position for loading.

Mount clamp with two socket-head cap screws using the two mounting slots. To allow for workpiece variation, adjust spindle extension so that full clamping force is achieved approximately in the middle of the lever's 100° clamping range.



HEX DRIVE (INCH)

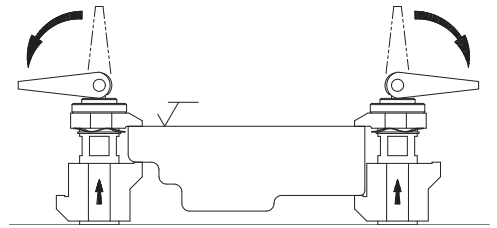
PART NO.	MAX CLAMPING FORCE (LBS)	MAX. ALLOWABLE TORQUE (FF-LBS)	SWING AND ADVANCE STROKE	CLAMPING STROKE (MAX.)	A			B	C	D DIA	F	G	H	J	K	L	M	N	P	Q	R	S	T SOCKET SET-SCREW	U DIA	V DIA
					UN-CLAMPED POSITION	START OF CLAMPING RANGE	END OF CLAMPING RANGE																		
CL-100-QSCH	500	4.5	.02	.12	1.16	1.14	1.02	.39	.71	.71	2.22	1.02	.87	.24	.45	.31	.169	1/4-20	7/16	1.42	.24	.88	#8-32	.169	1.063
CL-150-QSCH	800	8	.02	.16	1.56	1.54	1.38	.55	.91	.91	2.89	1.38	1.18	.31	.60	.39	.209	5/16-18	1/2	1.77	.31	1.00	#10-24	.209	1.339
CL-200-QSCH	1300	21	.03	.16	1.92	1.89	1.73	.71	1.18	1.18	3.58	1.77	1.46	.31	.81	.63	.331	3/8-16	9/16	2.56	.47	1.50	5/16-18	.331	1.890
CL-300-QSCH	1700	33	.03	.20	2.31	2.28	2.08	.87	1.57	1.57	4.49	2.17	1.77	.31	1.00	.79	.409	1/2-13	3/4	3.35	.59	2.00	3/8-16	.409	2.520

UP-THRUST CLAMPS

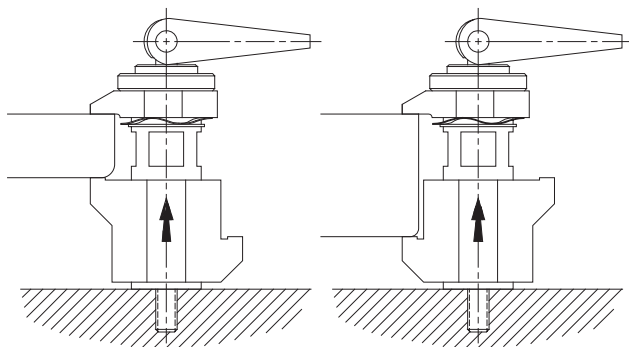
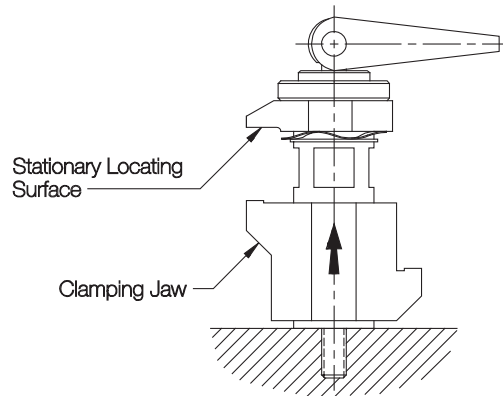
STEEL, WEAR SURFACES HARDENED, BLACK OXIDE FINISH



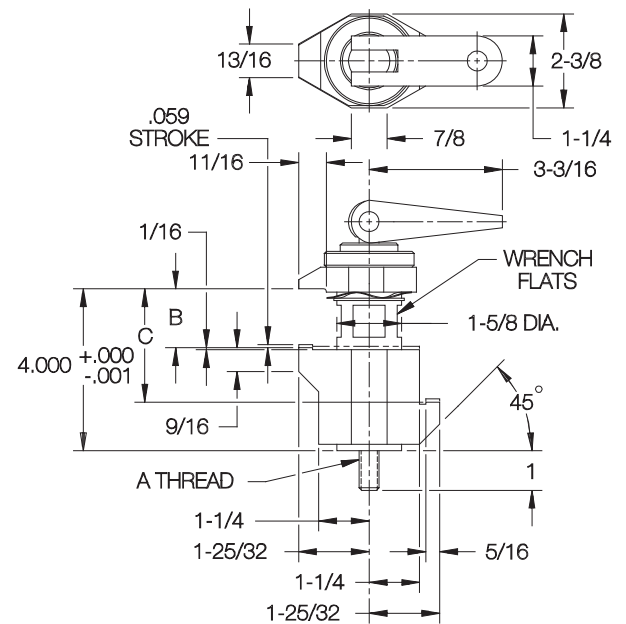
Combination clamp and locator with a unique upward clamping action. Pushing down the cam handle pulls the lower jaw upward. This clamps the workpiece against the stationary upper jaw, whose bottom surface is a precision-ground locator.



Up-Thrust Clamps locate off of the part's top surface and clamp up from below.



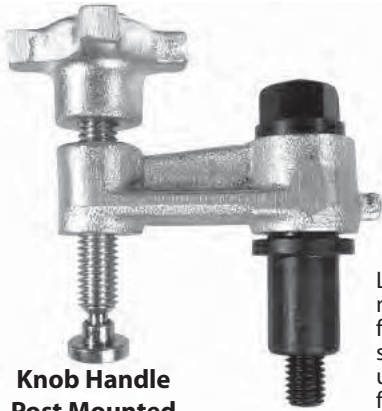
The lower jaw has two clamping surfaces 180° apart, one for thinner parts, the other for thicker parts. The cam handle rotates to screw the lower jaw up or down for fine adjustment.



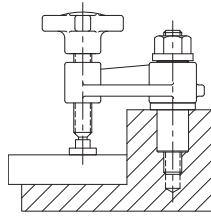
PART NO.	A	B RANGE		C RANGE		MAX CLAMPING FORCE (LBS)
		MIN	MAX	MIN	MAX	
CL-MF40-5301	1/2-13	0	1-3/8	1-3/8	2-3/4	2200

SWING CLAMP ASSEMBLIES

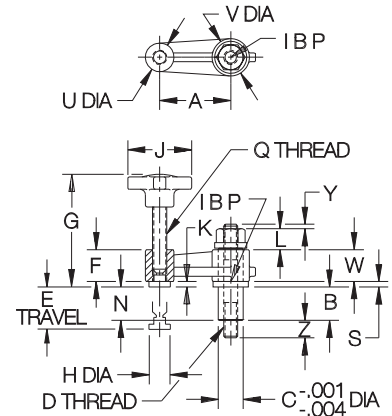
ARM: NODULAR IRON PER ASTM A536 GRADE 65-45-12, ZINC PLATED CLEAR CHROMATE
 ALL OTHER PARTS: MILD STEEL, BLACK OXIDE FINISH



**Knob Handle
Post Mounted**



Long-reach swing clamp that can be hand tightened for medium clamping force. The post-mounted version is ideal for tight spaces, with a long mounting post for increased strength. Swing arm can be turned over for more clearance underneath. Install in a reamed hole. To order with a Delrin® foot instead of steel, add "N" to the part number. Example: CL-1-SWA-1N.



KNOB HANDLE, POST MOUNTED (INCH)

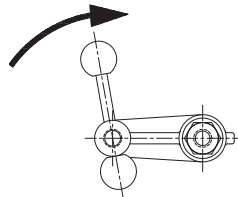
PART NO.	D THREAD SIZE	A	B	C DIA		E	F	G	H DIA	J	K	L	N	Q	S	U DIA	V DIA	W	Y	Z
				NOMINAL	ACTUAL															
CL-1-SWA-1	5/16-18	1-1/2	.80	9/16	.563	.69	3/4	2.45	1/2	1-3/4	5/32	3/8	.68	5/16-18	.16	11/16	15/16	3/4	.11	.80
CL-4-SWA-1	1/2-13	2	1.18	7/8	.875	1.50	1-1/8	3.88	3/4	2-1/8	3/16	11/16	.99	1/2-13	.19	1	1-5/16	1-1/8	.15	.67
CL-5-SWA-1		2-1/2																		
CL-2-SWA-1	5/8-11	3	1.55	1-1/8	1.125	1.59	1-5/16	4.56	15/16	2-3/4	7/32	13/16	1.33	5/8-11	.22	1-5/16	1-3/4	1-1/2	.18	.74
CL-3-SWA-1		4																		

KNOB HANDLE, POST MOUNTED (METRIC)

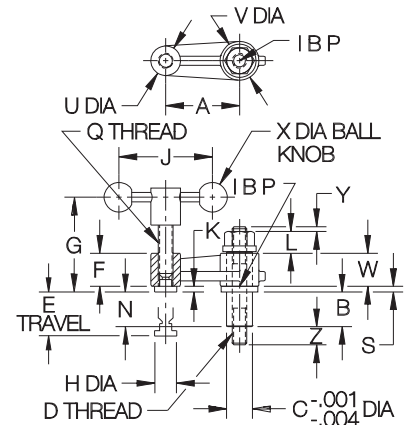
PART NO.	D THREAD SIZE	A	B	C DIA		E	F	G	H DIA	J	K	L	N	Q	S	U DIA	V DIA	W	Y	Z
				NOMINAL	ACTUAL															
CLM-1-SWA-1	M8	1-1/2	.80	14mm	.551	.69	3/4	2.45	1/2	1-3/4	5/32	.39	.68	5/16-18	.16	11/16	15/16	3/4	.10	.95
CLM-4-SWA-1	M12	2	1.18	22mm	.866	1.50	1-1/8	3.88	3/4	2-1/8	3/16	.67	.99	1/2-13	.19	1	1-5/16	1-1/8	.14	1.01
CLM-5-SWA-1		2-1/2																		
CLM-2-SWA-1	M16	3	1.55	28mm	1.102	1.59	1-5/16	4.56	15/16	2-3/4	7/32	.83	1.33	5/8-11	.22	1-5/16	1-3/4	1-1/2	.16	.66
CLM-3-SWA-1		4																		



**Ball Handle
Post Mounted**



Same as above, except with a sliding ball handle for increased leverage.



BALL HANDLE, POST MOUNTED (INCH)

PART NO.	D THREAD SIZE	A	B	C DIA		E	F	G	H DIA	J	K	L	N	Q	S	U DIA	V DIA	W	X	Y	Z
				NOMINAL	ACTUAL																
CL-1-SWA-2	5/16-18	1-1/2	.80	9/16	.563	.88	3/4	2.39	1/2	2-1/4	5/32	3/8	.68	5/16-18	.16	11/16	15/16	3/4	3/4	.11	.80
CL-4-SWA-2	1/2-13	2	1.18	7/8	.875	.96	1-1/8	3.53	3/4	2-5/8	3/16	11/16	.99	1/2-13	.19	1	1-5/16	1-1/8	1	.15	.67
CL-5-SWA-2		2-1/2																			
CL-2-SWA-2	5/8-11	3	1.55	1-1/8	1.125	1.65	1-5/16	4.50	15/16	3	7/32	13/16	1.33	5/8-11	.22	1-5/16	1-3/4	1-1/2	1-3/8	.18	.74
CL-3-SWA-2		4																			

BALL HANDLE, POST MOUNTED (METRIC)

PART NO.	D THREAD SIZE	A	B	C DIA		E	F	G	H DIA	J	K	L	N	Q	S	U DIA	V DIA	W	X	Y	Z
				NOMINAL	ACTUAL																
CLM-1-SWA-2	M8	1-1/2	.80	14mm	.551	.88	3/4	2.39	1/2	2-1/4	5/32	.39	.68	5/16-18	.16	11/16	15/16	3/4	3/4	.10	.95
CLM-4-SWA-2	M12	2	1.18	22mm	.866	.96	1-1/8	3.53	3/4	2-5/8	3/16	.67	.99	1/2-13	.19	1	1-5/16	1-1/8	1	.14	1.01
CLM-5-SWA-2		2-1/2																			
CLM-2-SWA-2	M16	3	1.55	28mm	1.102	1.65	1-1/2	4.50	15/16	3	7/32	.83	1.33	5/8-11	.22	1-5/16	1-3/4	1-1/2	1-3/8	.16	.66
CLM-3-SWA-2		4																			

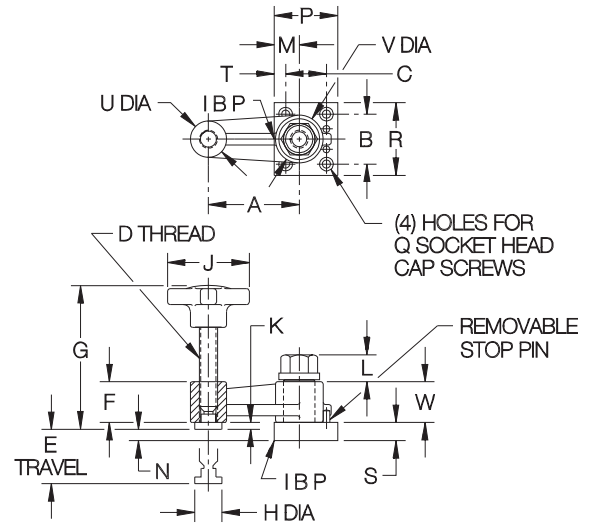
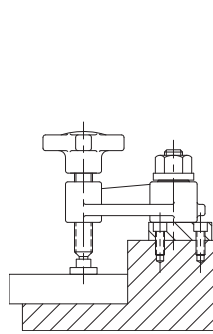
SWING CLAMP ASSEMBLIES

ARM: NODULAR IRON PER ASTM A536 GRADE 60-40-18, ZINC PLATED CLEAR CHROMATE
ALL OTHER PARTS: MILD STEEL, BLACK OXIDE FINISH



**Knob Handle
Flange Mounted**

Long-reach swing clamp that can be hand tightened for medium clamping force. The flange-mounted version is ideal for mounting on flat surfaces. The stop pin furnished can be installed on either side for clockwise or counterclockwise rotation. Swing arm can be turned over for more clearance underneath. To order with a Delrin® foot instead of steel, add "N" to the part number. Example: CL-1-SWA-3N.



KNOB HANDLE, FLANGE MOUNTED

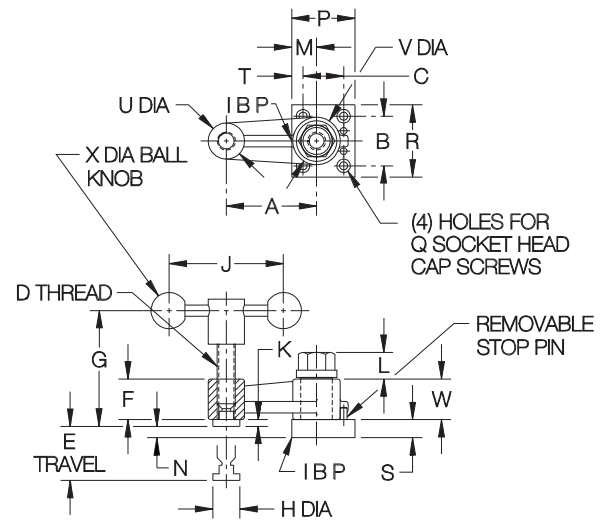
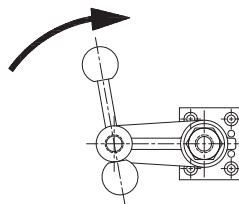
PART NO.	D THREAD SIZE	A	B	C	E	F	G	H DIA	J	K	L	M	N	P	Q	R	S	T	U	V	W
CL-1-SWA-3	5/16-18	1-1/2	1	3/4	.69	3/4	2.45	1/2	1-3/4	5/32	.33	1/2	.25	1-1/4	#10 or M5	1-1/2	3/8	1/4	11/16	15/16	3/4
CL-4-SWA-3	1/2-13	2	1-3/8	1-1/8	1.50	1-1/8	3.88	3/4	2-1/8	3/16	.44	11/16	.31	1-3/4	1/4 or M6	2	1/2	5/16	1	1-5/16	1-1/8
CL-5-SWA-3		2-1/2																			
CL-2-SWA-3	5/8-11	3	1-1/2	1-1/4	1.59	1-5/16	4.56	15/16	2-3/4	7/32	.58	1	.53	2-1/4	3/8 or M10	2-1/4	3/4	3/8	1-5/16	1-3/4	1-1/2
CL-3-SWA-3		4																			

7



**Ball Handle
Flange Mounted**

Same as above, except with a sliding ball handle for increased leverage.

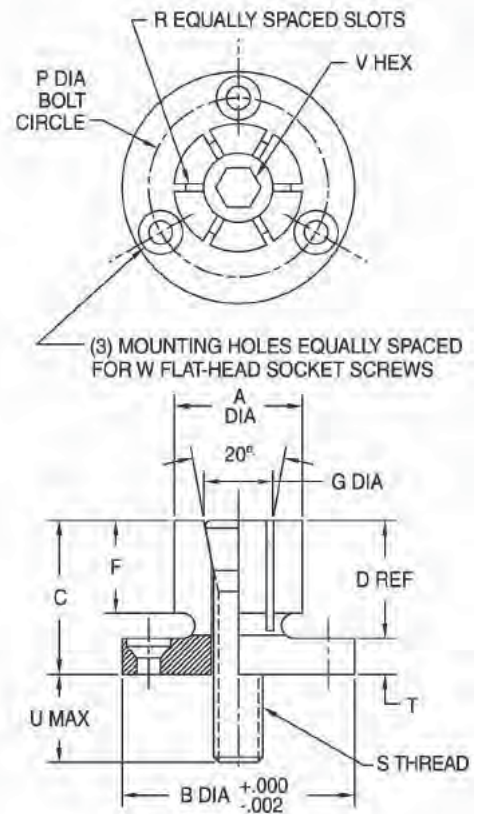
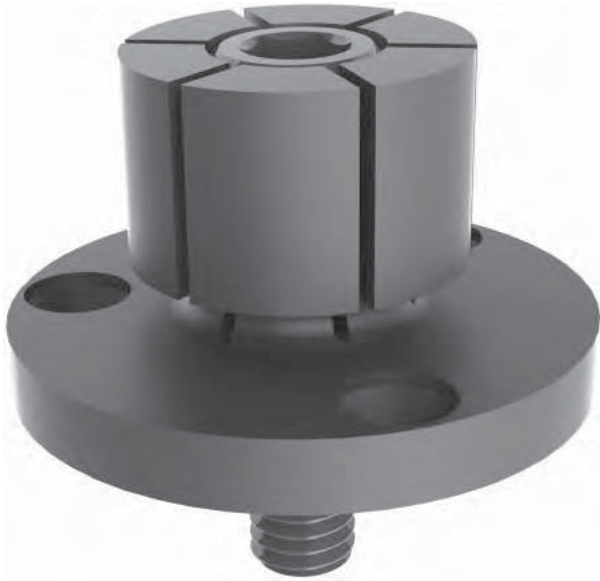


BALL HANDLE, FLANGE MOUNTED

PART NO.	D THREAD SIZE	A	B	C	E	F	G	H DIA	J	K	L	M	N	P	Q	R	S	T	U	V	W	X
CL-1-SWA-4	5/16-18	1-1/2	1	3/4	.88	3/4	2.39	1/2	2-1/4	5/32	.33	1/2	.25	1-1/4	#10 or M5	1-1/2	3/8	1/4	11/16	15/16	3/4	3/4
CL-4-SWA-4	1/2-13	2	1-3/8	1-1/8	.96	1-1/8	3.53	3/4	2-5/8	3/16	.44	11/16	.31	1-3/4	1/4 or M6	2	1/2	5/16	1	1-5/16	1-1/8	1
CL-5-SWA-4		2-1/2																				
CL-2-SWA-4	5/8-11	3	1-1/2	1-1/4	1.65	1-5/16	4.50	15/16	3	7/32	.58	1	.53	2-1/4	3/8 or M10	2-1/4	3/4	3/8	1-5/16	1-3/4	1-1/2	1-3/8
CL-3-SWA-4		4																				

ID CLAMPS

BODY: 12L14 STEEL, BLACK OXIDE FINISH
 CENTER SCREW: ALLOY STEEL, BLACK OXIDE FINISH
 MOUNTING SCREWS: ALLOY STEEL, BLACK OXIDE FINISH



7

ID Clamps expand to self-center and clamp on the inside diameter of a workpiece, leaving the outside clear for machining. Tightening the tapered center screw with a hex wrench pushes the clamping segments outward, and slightly downward, to exert force on the workpiece's internal bore. These clamps are designed to have their outside diameter finish machined by the customer to suit the bore size, because maximum diameter expansion is limited (.006 to .025", depending on the size). ID Clamps allow close mounting for multi-part machining on vertical and horizontal machining centers. Available in seven sizes to hold any inside diameter from .26" to 2.06". Made in USA.

For maximum locational accuracy, machine a recess in the fixture base to fit exactly with the clamp's close-tolerance flange diameter. Flat-head mounting screws are furnished. Please note, ID Clamps provide mostly radial clamping force; therefore the workpiece must be firmly supported underneath – by resting directly on the clamp's mounting flange, the fixture base, or fixed rest pads.

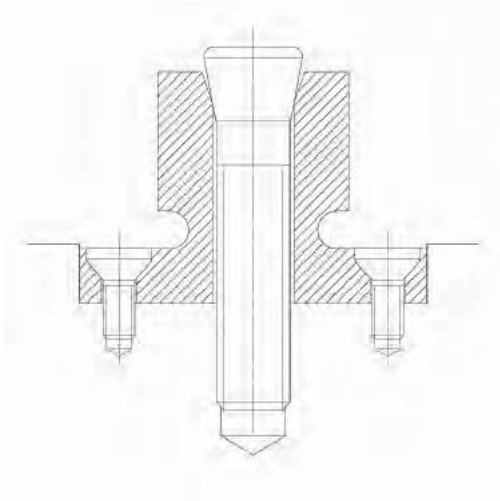
Before finish machining the clamp's outside diameter on a lathe or milling machine, expand the clamp slightly (.002 - .003") from its relaxed diameter by tightening the tapered center screw. Secure with a jam nut if necessary. Reduce the outside diameter only as much as required to achieve smooth workpiece loading, always staying within the expansion range for that clamp size.

INCH

PART NO.	A DIA		B DIA	C	D	F	G DIA	P DIA	R	S	T	U	V	W	DIAMETER EXPANSION RANGE	RECOMMENDED TORQUE (FT-LBS)	RADIAL HOLDING FORCE (LBS)
	BEFORE MACHINING	MINIMUM AFTER MACHINING															
CL-8-IDC	.500	.260	1.170	.86	.63	.57	.24	.825	4	#8-32	.230	.29	7/64	#6-32	.006	3.6	950
CL-10-IDC	.625	.370	1.240	.99	.76	.58	.36	.910	4	1/4-20	.230	.53	3/16	#6-32	.008	13	1900
CL-13-IDC	.813	.440	1.476	1.00	.77	.59	.43	1.140	6	5/16-18	.230	.60	1/4	#6-32	.010	28	2500
CL-18-IDC	1.125	.580	1.968	1.14	.90	.69	.57	1.550	6	3/8-16	.245	.77	5/16	#8-32	.014	49	4500
CL-23-IDC	1.438	.710	2.205	1.25	1.00	.81	.70	1.790	6	1/2-13	.250	.78	3/8	#8-32	.017	120	5900
CL-27-IDC	1.688	.910	2.736	1.56	1.25	1.06	.87	2.200	6	5/8-11	.310	.84	1/2	#10-32	.020	224	10000
CL-33-IDC	2.063	.910	2.972	1.56	1.25	1.06	.87	2.515	6	5/8-11	.310	.85	1/2	#10-32	.025	224	10000

ID CLAMPS

BODY: 12L14 STEEL, BLACK OXIDE FINISH
CENTER SCREW: ALLOY STEEL, BLACK OXIDE FINISH
MOUNTING SCREWS: ALLOY STEEL, BLACK OXIDE FINISH



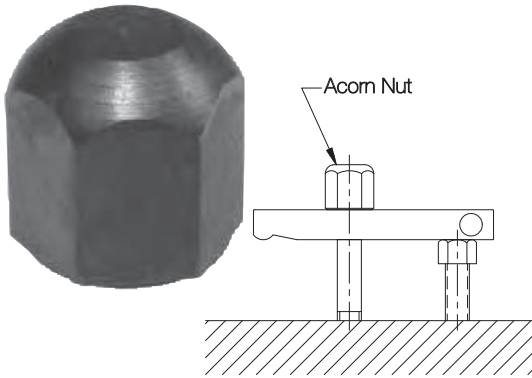
For maximum locational accuracy, machine a recess in the fixture base to fit exactly with the clamp's close-tolerance flange diameter. Flat-head mounting screws are furnished.



Each of these six workpieces is clamped by two ID Clamps – a large clamp in the large bore and a small clamp in the slot. The large clamp is also the primary locator, so would be tightened first. The small clamp is also the secondary (radial or “clocking”) locator, so would be tightened second. By using ID Clamps, the workpiece’s entire outer surface is accessible for machining.

ACORN NUTS

12L14 STEEL, CARBURIZED-HARDENED, BLACK OXIDE FINISH

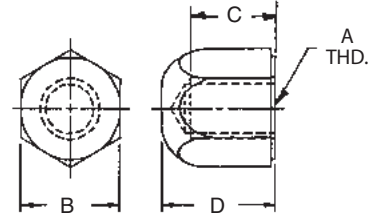


INCH

PART NO.	A	B	C	D
CL-0-AN	1/4-20	1/2	3/8	1/2
CL-1-AN	5/16-18	5/8	13/32	5/8
CL-5-AN	3/8-16	3/4	7/16	3/4
CL-2-AN	1/2-13	7/8	9/16	15/16
CL-3-AN	5/8-11	1-1/16	13/16	1-3/16
CL-4-AN	3/4-10	1-1/4	1	1-3/8

METRIC

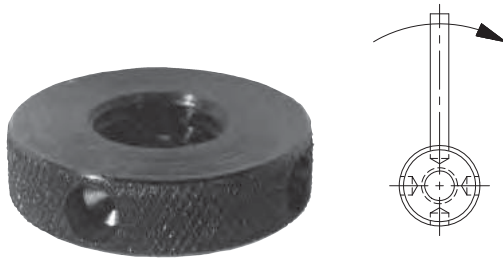
CLM-6-AN	M6	10mm	.39	.59
CLM-8-AN	M8	13mm		
CLM-10-AN	M10	17mm	.59	.98
CLM-12-AN	M12	19mm		
CLM-16-AN	M16	24mm	.79	1.18
CLM-20-AN	M20	30mm		



Closed end covers the end of a stud to prevent snags or thread damage.

KNURLED NUTS

12L14 STEEL, BLACK OXIDE FINISH

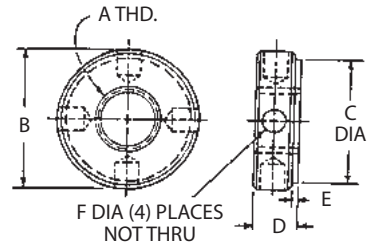


INCH

PART NO.	A	B DIA	C DIA	D	E	F DIA
CL-0-KN	1/4-20	1-1/8	1	7/16	1/16	.257
CL-00-KN	5/16-18					
CL-1-KN	3/8-16					
CL-2-KN	1/2-13					
CL-3-KN	5/8-11	1-3/8				

METRIC

CLM-6-KN	M6	1.12	.98	.43	.80	.256
CLM-8-KN	M8					
CLM-10-KN	M10					
CLM-12-KN	M12					
CLM-16-KN	M16	1.38				



Heavy lock nut that can be tightened by hand or with an extension rod (1/4" or 6mm diameter). Large contact surface.

KNURLED CHECK NUTS

12L14 STEEL, BLACK OXIDE FINISH

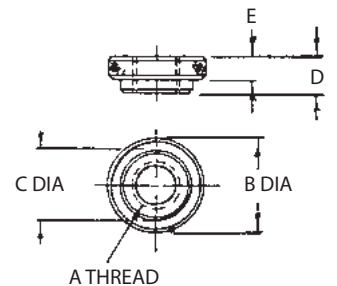


INCH

PART NO.	A	B DIA	C DIA	D	E
CL-1024-TSJN	#10-24	3/4	1/2	1/4	3/16
CL-1032-TSJN	#10-32				
CL-1420-TSJN	1/4-20			5/16	1/4
CL-51618-TSJN	5/16-18				
CL-3816-TSJN	3/8-16	1	3/4	3/8	1/4
CL-1213-TSJN	1/2-13				
CL-5811-TSJN	5/8-11				

METRIC

CLM-5-TSJN	M5	.75	.51	.24	.20
CLM-6-TSJN	M6				
CLM-8-TSJN	M8			.31	.28
CLM-10-TSJN	M10				
CLM-12-TSJN	M12	.98	.75	.39	.31
CLM-16-TSJN	M16				



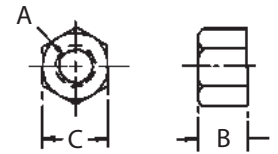
Multipurpose lock nut for finger tightening.

HEX NUTS

STEEL: MILD STEEL, BLACK OXIDE FINISH
STAINLESS STEEL: 300-SERIES, PASSIVATE FINISH



High-quality heavy Hex Nut, available in steel or stainless steel.



INCH

STEEL PART NO.	STAINLESS STEEL PART NO.	A THREAD	B	C
CL-4-HN	CL-4-HN-S	1/4-20	15/64	1/2
CL-5-HN	CL-5-HN-S	5/16-18	19/64	9/16
CL-6-HN	CL-6-HN-S	3/8-16	23/64	11/16
CL-8-HN	CL-8-HN-S	1/2-13	31/64	7/8
CL-10-HN	CL-10-HN-S	5/8-11	39/64	1-1/16
CL-12-HN	CL-12-HN-S	3/4-10	47/64	1-1/4
CL-14-HN	—	7/8-9	55/64	1-7/16
CL-16-HN	—	1"-8	63/64	1-5/8
CL-20-HN	—	1-1/4"-7	1-7/32	2

INCH FINE

STEEL PART NO.	STAINLESS STEEL PART NO.	A THREAD	B	C
CL-4-FHN	CL-4-FHN-S	1/4-28	7/32	7/16
CL-5-FHN	CL-5-FHN-S	5/16-24	17/64	1/2
CL-6-FHN	CL-6-FHN-S	3/8-24	21/64	9/16
CL-8-FHN	CL-8-FHN-S	1/2-20	7/16	3/4
CL-10-FHN	—	5/8-18	35/64	15/16
CL-12-FHN	—	3/4-16	41/64	1-1/8

METRIC

STEEL PART NO.	STAINLESS STEEL PART NO.	A THREAD	B	C
CLM-6-HN	—	M6	.20	10mm
CLM-8-HN	—	M8	.26	13mm
CLM-10-HN	—	M10	.31	17mm
CLM-12-HN	—	M12	.39	19mm
CLM-16-HN	—	M16	.51	24mm
CLM-20-HN	—	M20	.63	30mm
CLM-24-HN	—	M24	.75	36mm
CLM-30-HN	—	M30	.94	46mm

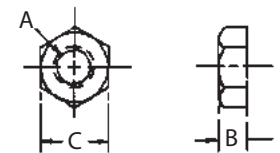
7

JAM NUTS

STEEL: MILD STEEL, BLACK OXIDE FINISH
STAINLESS STEEL: 300-SERIES, PASSIVATE FINISH



High-quality heavy Jam Nut, available in steel or stainless steel.



INCH

STEEL PART NO.	STAINLESS STEEL PART NO.	A THREAD	B	C
—	CL-2-JN-S	#8-32	1/8	11/32
—	CL-3-JN-S	#10-24	1/8	3/8
CL-4-JN	CL-4-JN-S	1/4-20	11/64	1/2
CL-5-JN	CL-5-JN-S	5/16-18	13/64	9/16
CL-6-JN	CL-6-JN-S	3/8-16	15/64	11/16
CL-8-JN	—	1/2-13	19/64	7/8
CL-10-JN	—	5/8-11	23/64	1-1/16
CL-12-JN	—	3/4-10	27/64	1-1/4
CL-14-JN	—	7/8-9	31/64	1-7/16
CL-16-JN	—	1"-8	35/64	1-5/8

INCH FINE

STEEL PART NO.	STAINLESS STEEL PART NO.	A THREAD	B	C
CL-3-FJN	CL-3-FJN-S	#10-32	1/8	3/8
CL-4-FJN	CL-4-FJN-S	1/4-28	5/32	7/16
CL-5-FJN	CL-5-FJN-S	5/16-24	3/16	1/2
CL-6-FJN	CL-6-FJN-S	3/8-24	7/32	9/16

METRIC

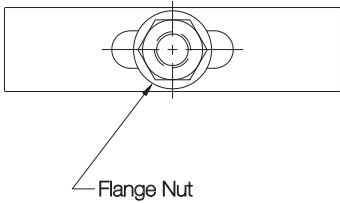
STEEL PART NO.	STAINLESS STEEL PART NO.	A THREAD	B	C
—	CLM-4-JN-S	M4	.08	7mm
—	CLM-5-JN-S	M5	.10	8mm
CLM-6-JN	CLM-6-JN-S	M6	.13	10mm
CLM-8-JN	CLM-8-JN-S	M8	.16	13mm
CLM-10-JN	CLM-10-JN-S	M10	.20	17mm
CLM-12-JN	CLM-12-JN-S	M12	.24	19mm
CLM-16-JN	CLM-16-JN-S	M16	.31	24mm
CLM-20-JN	CLM-20-JN-S	M20	.39	30mm
CLM-24-JN	—	M24	.47	36mm

FLANGE NUTS

STEEL: 12L14, CARBURIZED-HARDENED, BLACK OXIDE FINISH
 STAINLESS STEEL: 300-SERIES, PASSIVATE FINISH



Flanged face provides a large bearing surface to avoid damaging the part underneath, especially when clamping over a slot. Precision machined from one solid piece of steel for extra strength.



INCH

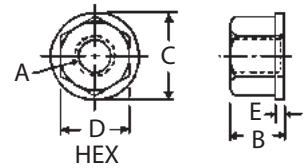
STEEL PART NO.	STAINLESS STEEL PART NO.	A	B	C DIA	D	E
—	CL-123	#10-24	5/16	1/2	3/8	.08
—	CL-125	1/4-20	5/16	9/16	7/16	.12
CL-1-FN	—			5/8	1/2	
—	CL-126	5/16-18	3/8	11/16	9/16	.09
CL-9-FN	—			3/4	11/16	.12
CL-2-FN	CL-127	3/8-16	1/2	7/8	11/16	.12
CL-3-FN	CL-128	1/2-13	11/16	1-1/8	7/8	.20
CL-4-FN	CL-129	5/8-11	13/16	1-3/8	1-1/16	.25
CL-5-FN	—	3/4-10	1	1-5/8	1-1/4	.32
CL-6-FN	—	7/8-9	1-1/8	1-3/4	1-7/16	.28
CL-7-FN	—	1"-8	1-1/4	2	1-5/8	.25
CL-10-FN	—	1-1/4"-7	1-3/8	2-1/4	1-13/16	.25

INCH FINE

—	CL-124	#10-32	5/16	1/2	3/8	.08
CL-1-FFN	—	1/4-28	5/16	5/8	1/2	.12
CL-9-FFN	—	5/16-24	3/8	3/4	9/16	.20
CL-2-FFN	—	3/8-24	1/2	7/8	11/16	.25
CL-3-FFN	—	1/2-20	11/16	1-1/8	7/8	.25
CL-4-FFN	—	5/8-18	13/16	1-3/8	1-1/16	.25
CL-5-FFN	—	3/4-16	1	1-5/8	1-1/4	.25
CL-7-FFN	—	1"-14	1-1/4	2	1-5/8	.25

METRIC

CLM-6-FN	—	M6	.31	.63	10mm	.12
CLM-8-FN	—	M8	.39	.75	13mm	.20
CLM-10-FN	—	M10	.51	.87	17mm	.25
CLM-12-FN	—	M12	.67	1.10	19mm	.32
CLM-16-FN	—	M16	.83	1.34	24mm	.28
CLM-20-FN	—	M20	.98	1.61	30mm	.25
CLM-24-FN	—	M24	1.26	2.01	36mm	.25



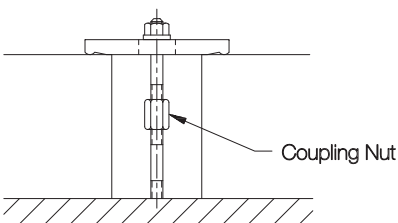
7

COUPLING NUTS

12L14 STEEL, CARBURIZED-HARDENED, BLACK OXIDE FINISH



For joining two or more studs together to create an extra-long stud.

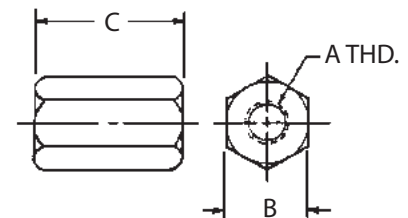


INCH

PART NO.	A	B	C
CL-0-CN	1/4-20	1/2	5/8
CL-00-CN	5/16-18	9/16	7/8
CL-1-CN	3/8-16	11/16	1
CL-2-CN	1/2-13	7/8	1-1/4
CL-3-CN	5/8-11	1-1/16	1-5/8
CL-4-CN	3/4-10	1-1/4	1-7/8
CL-6-CN	1"-8	1-5/8	2-1/2

METRIC

CLM-6-CN	M6	10mm	.71
CLM-8-CN	M8	13mm	.79
CLM-10-CN	M10	17mm	.98
CLM-12-CN	M12	19mm	1.18
CLM-16-CN	M16	24mm	1.57
CLM-20-CN	M20	30mm	1.97

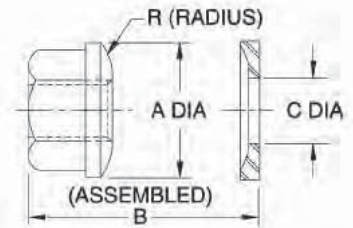
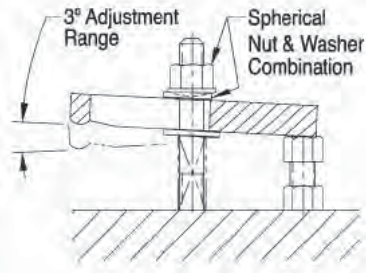


SPHERICAL NUTS AND WASHERS

STEEL: 12L14, CARBURIZED-HARDENED, BLACK OXIDE FINISH
 STAINLESS STEEL: 300-SERIES, PASSIVATED



Combination nut and washer that compensates whenever a stud and clamp strap are not perpendicular. The nut has a convex spherical radius, while the washer has a matching concave spherical radius.



INCH

STEEL PART NO.	STAINLESS STEEL PART NO.	THREAD	HEX	A DIA	B	C DIA	R
CL-1-SNW	CL-1-SNW-S	1/4-20	1/2	5/8	15/32	5/16	3/4
CL-9-SNW	CL-9-SNW-S	5/16-18	9/16	3/4	17/32	3/8	1
CL-2-SNW	CL-2-SNW-S	3/8-16	11/16	7/8	19/32	7/16	1-1/4
CL-3-SNW	CL-3-SNW-S	1/2-13	7/8	1-1/8	7/8	9/16	1-1/2
CL-4-SNW	CL-4-SNW-S	5/8-11	1-1/16	1-3/8	1	11/16	1-3/4
CL-5-SNW	CL-5-SNW-S	3/4-10	1-1/4	1-5/8	1-3/16	7/8	2-1/4
CL-6-SNW	—	7/8-9	1-7/16	1-3/4	1-5/16	1	2-1/2
CL-7-SNW	—	1"-8	1-5/8	2	1-7/16	1-1/8	2-3/4

METRIC

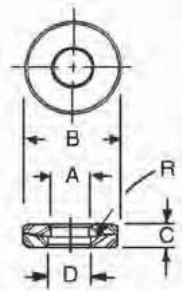
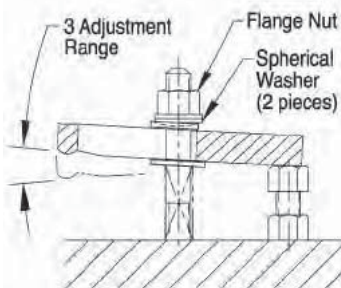
CLM-6-SNW	—	M6	10mm	5/8	.47	5/16	3/4
CLM-8-SNW	—	M8	13mm	3/4	.55	3/8	1
CLM-10-SNW	—	M10	17mm	7/8	.69	7/16	1-1/4
CLM-12-SNW	—	M12	19mm	1-1/8	.87	9/16	1-1/2
CLM-16-SNW	—	M16	24mm	1-3/8	.98	11/16	1-3/4
CLM-20-SNW	—	M20	30mm	1-5/8	1.18	7/8	2-1/4
CLM-24-SNW	—	M24	36mm	2	1.41	1	2-3/4

SPHERICAL WASHERS

STEEL: 12L14, CARBURIZED-HARDENED, BLACK OXIDE FINISH
 STAINLESS STEEL: 300-SERIES, PASSIVATED



Two-piece washer that compensates whenever a stud and clamp strap are not perpendicular. The top washer has a convex spherical radius, while the bottom washer has a matching concave spherical radius.



INCH & METRIC

STEEL PART NO.	STAINLESS STEEL PART NO.	BOLT SIZE	A DIA	B DIA	C	D DIA	R
—	CL-144	#10 & M5	7/32	1/2	1/8	1/4	3/4
CL-1-SW	CL-145	1/4 & M6	9/32	5/8	3/16	5/16	1
CL-11-SW	—	5/16 & M8	11/32	3/4	1/4	3/8	
CL-2-SW	CL-146	3/8 & M10	13/32	13/16	7/32	7/16	1-1/4
—	CL-147			7/8	1		
CL-3-SW	CL-148	1/2 & M12	17/32	1-1/8	5/16	9/16	1-1/2
CL-4-SW	CL-149	5/8 & M16	21/32	1-3/8		11/16	1-3/4
CL-5-SW	CL-150	3/4 & M18	25/32	1-5/8	3/8	7/8	2-1/4
CLM-20-SW	—	M20	.83			7/8	
CL-6-SW	—	7/8 & M22	15/16	1-3/4	1/2	1	2-1/2
CL-7-SW	—	1 & M24	1-1/16	2		1-1/8	2-3/4
CL-8-SW	—	1-1/8	1-3/16	2-1/4	1/2	1-1/4	3
CL-9-SW	—	1-1/4 & M30	1-5/16	2-5/8		1-3/8	
CL-10-SW	—	1-1/2 & M36	1-9/16	2-7/8		1-5/8	

FLAT WASHERS

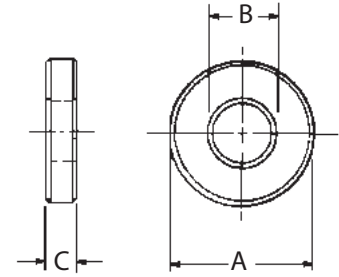
STEEL: 1010, CARBURIZED-HARDENED, BLACK OXIDE FINISH
 STAINLESS STEEL: 300-SERIES



Thick, heavy-duty washer with both faces held flat and parallel. Available in steel or stainless steel.

INCH & METRIC

STEEL PART NO.	STAINLESS STEEL PART NO.	BOLT SIZE	A DIA	B DIA	C
—	CL-254	#10 or M5	7/16	7/32	5/64
—	CL-255	1/4 or M6	1/2	9/32	5/64
CL-7-FW	—		5/8		1/8
—	CL-256	5/16 or M8	5/8	11/32	3/32
CL-14-FW	—		3/4		1/8
—	CL-257	3/8 or M10	3/4	13/32	3/32
CL-1-FW	—		7/8		1/8
CL-8-FW	—		1		3/16
CL-2-FW	—	1/2 or M12	1-1/8	17/32	1/8
CL-9-FW	CL-258				3/16
CL-3-FW	—	5/8 or M16	1-3/8	21/32	1/8
CL-10-FW	CL-259				3/16
CL-4-FW	—	3/4 or M18	1-5/8	25/32	5/32
CL-11-FW	CL-260				1/4
CLM-10-FW	—	M20	1-5/8	.827	1/4
CL-13-FW	—	7/8 or M22	1-3/4	29/32	1/4
CL-12-FW	—	1	2	1-1/32	9/32

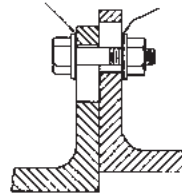


KNURLED-FACE WASHERS

4130 STEEL, HEAT TREATED 125,000-140,000 PSI PER MIL-H-6875, ZINC PLATED YELLOW CHROMATE



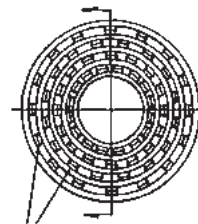
Serrated Washers
Teeth Facing Inward



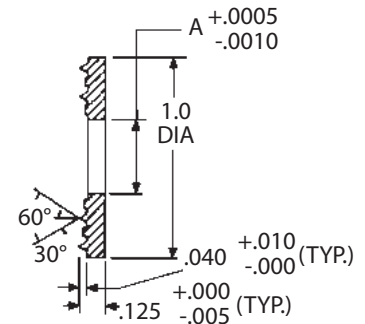
Flat washer with a serrated face to prevent two parts from sliding in relation to each other. Close tolerance on washer ID prevents the stud from slipping.

INCH

PART NO.	BOLT DIA	A DIA
CL-3-KFW	#10	.1935
CL-4-KFW	1/4	.2500
CL-5-KFW	5/16	.3125
CL-6-KFW	3/8	.3750



64 TEETH, 16 EQUALLY SPACED ON EACH DIAMETER WITH ALTERNATE ROWS STAGGERED

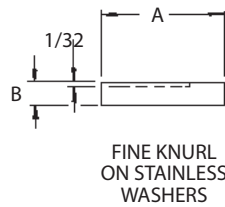
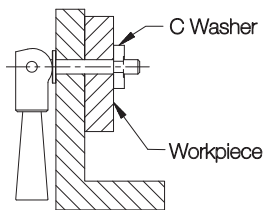
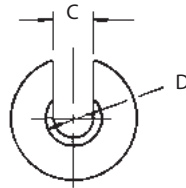


C WASHERS

STEEL: 12L14, CARBURIZED-HARDENED, BLACK OXIDE FINISH
 STAINLESS STEEL: 300-SERIES



Washer that slides in and out of position for clear loading. Can be used with a nut, or by sliding it into a radial groove on a drawbar. Available in steel or stainless steel.



INCH & METRIC

STEEL PART NO.	STAINLESS STEEL PART NO.	BOLT SIZE	A DIA	B	C	D DIA
CL-1-CW	—	#10 or M5	1/2	3/16	13/64	11/32
CL-3-CW	—	1/4 or M6	3/4	1/4	17/64	13/32
—	CL-155		7/8	3/16	9/32	25/64
CL-18-CW	—		1	1/4	17/64	13/32
CL-5-CW	—	5/16 or M8	1	3/16	21/64	1/2
—	CL-157	3/8 or M10	1-1/4	5/16	13/32	5/8
CL-6-CW	—		3/8	23/32		
CL-7-CW	—		1-1/2	3/8		23/32
CL-22-CW	—	1/2 or M12	1-3/4	1/4	17/32	29/32
CL-8-CW	—		1-7/8	3/8		
CL-24-CW	—		2-1/4	3/8		
CL-9-CW	—	5/8 or M16	2-1/8	3/8	21/32	1-3/32
CL-26-CW	—		2-1/2	7/16		
CL-11-CW	—	3/4 or M18	2-1/2	7/16	25/32	1-9/32
CL-12-CW	—	1 or M24	2-1/2	7/16	1-1/32	1-21/32
CL-15-CW	—		1/2	1/2	1-1/32	1-21/32

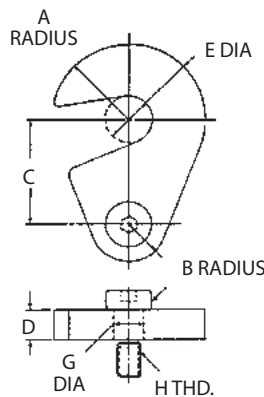
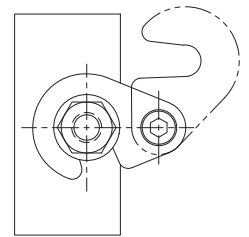
7

SWING C WASHERS

1018 STEEL, CARBURIZED-HARDENED, BLACK OXIDE FINISH



Permanently attached C washer that swings out of the way for clear loading. Can be reversed to swing into position either clockwise or counter-clockwise. Shoulder Screw furnished.



INCH

PART NO.	STUD SIZE	A	B	C	D	E DIA	G DIA	H	SHOULDER SCREW (FURNISHED)
CL-1-SCW	3/8	3/4	3/8	1	1/4	13/32	3/8	5/16-18	CL-24-SS
CL-2-SCW	1/2	1	1/2	1-1/4	3/8	17/32			CL-2-SS
CL-3-SCW	5/8	1-1/8	9/16	1-1/2	3/8	21/32	1/2	3/8-16	CL-3-SS
CL-4-SCW	3/4	1-1/4	5/8	1-3/4	1/2	13/16			CL-4-SS

METRIC

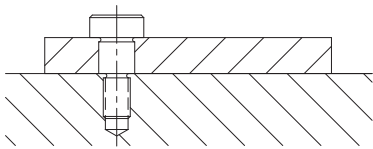
CLM PART NO.	M10	M12	M16	M20	A	B	C	D	E DIA	G DIA	H	CLM PART NO.
CLM-1-SCW	M10	3/4	3/8	1	.236	13/32	10mm	M8	CLM-1006-SS			
CLM-2-SCW	M12	1	1/2	1-1/4	.375	17/32			CLM-1010-SS			
CLM-3-SCW	M16	1-1/8	9/16	1-1/2	.375	21/32	13mm	M10	CLM-1310-SS			
CLM-4-SCW	M20	1-1/4	5/8	1-3/4	.472	13/16			CLM-1312-SS			

SHOULDER SCREWS

ALLOY STEEL, HEAT TREATED RC 32-43, BLACK OXIDE FINISH



Precision close-tolerance Shoulder Screw. Shoulder diameter is ground to a closer tolerance than ordinary stripper bolts for better bearing action. Shoulder length is held to a plus tolerance to allow a nominal-size plate to rotate freely underneath the head.



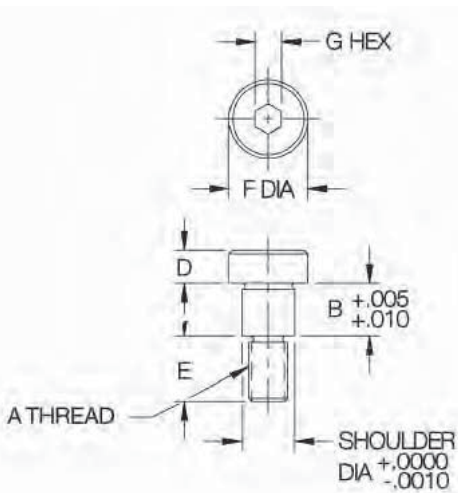
7

INCH

PART NO.	SHOULDER DIA		A	B		D	E	F DIA	G
	NOMINAL	ACTUAL		NOMINAL	ACTUAL				
CL-5-SS	1/4	.2500	#10-24	1/4	.2500	3/16	3/8	3/8	1/8
CL-12-SS				3/8	.3750				
CL-13-SS				1/2	.500				
CL-37-SS				5/8	.6250				
CL-15-SS				3/4	.750				
CL-16-SS				1	1.0000				
CL-1-SS	5/16	.3125	1/4-20	1/4	.2500	7/32	7/16	7/16	5/32
CL-6-SS				5/16	.3125				
CL-11-SS				3/8	.3750				
CL-20-SS				1/2	.5000				
CL-21-SS				5/8	.6250				
CL-7-SS				3/4	.7500				
CL-8-SS	1	1.0000							
CL-24-SS	3/8	.3750	5-16-18	1/4	.2500	1/4	1/2	9/16	3/16
CL-2-SS				3/8	.3750				
CL-14-SS				1/2	.5000				
CL-9-SS				5/8	.6250				
CL-10-SS				3/4	.7500				
CL-47-SS				1	1.0000				
CL-3-SS	1/2	.5000	3/8-16	3/8	.3750	5/16	5/8	3/4	1/4
CL-4-SS				1/2	.5000				
CL-31-SS				5/8	.6250				
CL-32-SS				3/4	.7500				
CL-46-SS				1	1.0000				
CL-33-SS				1/2	.5000				
CL-34-SS	5/8	.6250	1/2-13	5/8	.6250	3/8	3/4	7/8	5/16
CL-35-SS				3/4	.7500				
CL-36-SS				1	1.0000				
CL-38-SS				1/2	.5000				
CL-39-SS	3/4	.7500	5/8-11	3/4	.7500	1/2	7/8	1	3/8
CL-40-SS				1	1.0000				

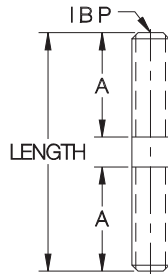
METRIC

CLM-806-SS	8mm	.3150	M6	6mm	.2362	.22	.44	.51	4mm
CLM-808-SS				8mm	.3150				
CLM-810-SS				10mm	.3937				
CLM-812-SS				12mm	.4724				
CLM-816-SS				16mm	.6299				
CLM-820-SS				20mm	.7874				
CLM-1006-SS	10mm	.3937	M8	6mm	.2362	.28	.52	.63	5mm
CLM-1008-SS				8mm	.3150				
CLM-1010-SS				10mm	.3937				
CLM-1012-SS				12mm	.4724				
CLM-1016-SS				16mm	.6299				
CLM-1020-SS				20mm	.7874				
CLM-1310-SS	13mm	.5118	M10	10mm	.3937	.35	.65	.71	6mm
CLM-1312-SS				12mm	.4724				
CLM-1316-SS				16mm	.6299				
CLM-1320-SS				20mm	.7874				
CLM-1610-SS	16mm	.6299	M12	10mm	.3937	.43	.72	.94	8mm
CLM-1612-SS				12mm	.4724				
CLM-1616-SS				16mm	.6299				
CLM-1620-SS				20mm	.7874				
CLM-2016-SS	20mm	.7874	M16	16mm	.6299	.55	.88	1.18	10mm
CLM-2020-SS				20mm	.7874				
CLM-2025-SS				25mm	.9843				



CLAMPING STUDS

STEEL: 1144 STEEL, 100,000 PSI MIN. YIELD, 115,000 PSI MIN. TENSILE, BLACK OXIDE FINISH
 STAINLESS STEEL: 300 SERIES



High-strength general-purpose Clamping Stud, for use with a T Nut, or for installation directly into a fixture plate. Available in thread sizes from 1/4-20 to 1"-8 (M6 to M20 in metric), each in a choice of several lengths. Now also available in stainless steel, in 3/8-16, 1/2-13, and 5/8-11 thread sizes (**INFO+**: for smaller stainless sizes, see Fixture Studs, page 290).

STEEL (INCH)

PART NO.	THREAD SIZE	LENGTH	A
CL-1/4-20X1.50-STUD	1/4-20	1.50	5/8
CL-1/4-20X2.00-STUD		2.00	7/8
CL-1/4-20X2.50-STUD		2.50	1
CL-1/4-20X3.00-STUD		3.00	
CL-1/4-20X3.50-STUD		3.50	
CL-1/4-20X4.00-STUD		4.00	
CL-5/16-18X1.50-STUD	5/16-18	1.50	9/16
CL-5/16-18X2.00-STUD		2.00	13/16
CL-5/16-18X2.50-STUD		2.50	1-1/16
CL-5/16-18X3.00-STUD		3.00	
CL-5/16-18X3.50-STUD		3.50	
CL-5/16-18X4.00-STUD		4.00	
CL-5/16-18X5.00-STUD	5.00	1-1/8	
CL-5/16-18X6.00-STUD	6.00		
CL-3/8-16X1.50-STUD	3/8-16	1.50	9/16
CL-3/8-16X2.00-STUD		2.00	13/16
CL-3/8-16X2.50-STUD		2.50	1-1/16
CL-3/8-16X3.00-STUD		3.00	
CL-3/8-16X3.50-STUD		3.50	
CL-3/8-16X4.00-STUD		4.00	
CL-3/8-16X4.50-STUD	4.50	1-1/4	
CL-3/8-16X5.00-STUD	5.00		
CL-3/8-16X5.50-STUD	5.50		
CL-3/8-16X6.00-STUD	6.00		
CL-3/8-16X6.50-STUD	6.50		
CL-3/8-16X7.00-STUD	7.00		
CL-3/8-16X7.50-STUD	7.50	2-1/4	
CL-3/8-16X8.00-STUD	8.00		
CL-1/2-13X2.00-STUD	1/2-13	2.00	3/4
CL-1/2-13X2.50-STUD		2.50	1
CL-1/2-13X3.00-STUD		3.00	1-1/4
CL-1/2-13X3.50-STUD		3.50	
CL-1/2-13X4.00-STUD		4.00	1-1/2
CL-1/2-13X4.50-STUD		4.50	
CL-1/2-13X5.00-STUD		5.00	
CL-1/2-13X5.50-STUD		5.50	
CL-1/2-13X6.00-STUD		6.00	
CL-1/2-13X6.50-STUD		6.50	
CL-1/2-13X7.00-STUD		7.00	
CL-1/2-13X7.50-STUD		7.50	
CL-1/2-13X8.00-STUD	8.00		
CL-1/2-13X9.00-STUD	9.00		
CL-1/2-13X10.00-STUD	10.00		
CL-1/2-13X12.00-STUD	12.00		

STEEL (INCH) (Cont.)

PART NO.	THREAD SIZE	LENGTH	A	
CL-5/8-11X2.50-STUD	5/8-11	2.50	15/16	
CL-5/8-11X3.00-STUD		3.00	1-3/16	
CL-5/8-11X3.50-STUD		3.50	1-7/16	
CL-5/8-11X4.00-STUD		4.00		
CL-5/8-11X4.50-STUD		4.50	1-11/16	
CL-5/8-11X5.00-STUD		5.00		
CL-5/8-11X5.50-STUD		5.50		
CL-5/8-11X6.00-STUD		6.00		1-3/4
CL-5/8-11X6.50-STUD		6.50		
CL-5/8-11X7.00-STUD		7.00		
CL-5/8-11X7.50-STUD		7.50		
CL-5/8-11X8.00-STUD		8.00	2	
CL-5/8-11X9.00-STUD	9.00			
CL-5/8-11X10.00-STUD	10.00			
CL-5/8-11X12.00-STUD	12.00			
CL-5/8-11X14.00-STUD	14.00			
CL-3/4-10X3.00-STUD	3/4-10	3.00		1-1/8
CL-3/4-10X3.50-STUD		3.50	1-3/8	
CL-3/4-10X4.00-STUD		4.00	1-5/8	
CL-3/4-10X5.00-STUD		5.00		
CL-3/4-10X6.00-STUD		6.00	2	
CL-3/4-10X7.00-STUD		7.00		
CL-3/4-10X8.00-STUD	8.00			
CL-3/4-10X9.00-STUD	9.00			
CL-3/4-10X10.00-STUD	10.00			
CL-3/4-10X12.00-STUD	12.00	2-1/4		
CL-3/4-10X14.00-STUD	14.00			
CL-3/4-10X16.00-STUD	16.00			
CL-7/8-9X4.00-STUD	7/8-9		4.00	1-9/16
CL-7/8-9X5.00-STUD			5.00	2-1/16
CL-7/8-9X6.00-STUD			6.00	
CL-7/8-9X8.00-STUD		8.00		
CL-7/8-9X10.00-STUD		10.00		
CL-7/8-9X12.00-STUD		12.00		
CL-1-8X4.00-STUD	1"-8	4.00	1-1/2	
CL-1-8X5.00-STUD		5.00	2	
CL-1-8X6.00-STUD		6.00	2-1/2	
CL-1-8X8.00-STUD		8.00		
CL-1-8X10.00-STUD		10.00		
CL-1-8X12.00-STUD		12.00		

STAINLESS STEEL (INCH)

PART NO.	THREAD SIZE	LENGTH	A
CL-3/8-16X2.00-STUD-S	3/8-16	2.00	13/16
CL-3/8-16X2.50-STUD-S		2.50	1-1/16
CL-3/8-16X3.00-STUD-S		3.00	
CL-3/8-16X3.50-STUD-S		3.50	
CL-3/8-16X4.00-STUD-S		4.00	1-1/4
CL-3/8-16X4.50-STUD-S		4.50	
CL-3/8-16X5.00-STUD-S	5.00		
CL-3/8-16X6.00-STUD-S	6.00		

STAINLESS STEEL (INCH) (Cont.)

PART NO.	THREAD SIZE	LENGTH	A
CL-1/2-13X2.00-STUD-S	1/2-13	2.00	3/4
CL-1/2-13X2.50-STUD-S		2.50	1
CL-1/2-13X3.00-STUD-S		3.00	1-1/4
CL-1/2-13X3.50-STUD-S		3.50	
CL-1/2-13X4.00-STUD-S		4.00	1-1/2
CL-1/2-13X4.50-STUD-S		4.50	
CL-1/2-13X5.00-STUD-S	5.00		
CL-1/2-13X5.50-STUD-S	5.50		
CL-1/2-13X6.00-STUD-S	6.00		
CL-5/8-11X2.50-STUD-S	5/8-11	2.50	
CL-5/8-11X3.00-STUD-S		3.00	1-3/16
CL-5/8-11X3.50-STUD-S		3.50	1-7/16
CL-5/8-11X4.00-STUD-S		4.00	
CL-5/8-11X4.50-STUD-S		4.50	1-3/4
CL-5/8-11X5.00-STUD-S		5.00	
CL-5/8-11X5.50-STUD-S	5.50		
CL-5/8-11X6.00-STUD-S	6.00		

STEEL (METRIC)

PART NO.	THREAD SIZE	LENGTH	A
CLM-6X-35-STUD	M6	1.38 (35mm)	.59
CLM-6X-50-STUD		1.97 (50mm)	.87
CLM-6X-65-STUD		2.56 (65mm)	1.06
CLM-6X-80-STUD		3.15 (80mm)	
CLM-6X-95-STUD		3.75 (95mm)	
CLM-6X-110-STUD		4.33 (110mm)	
CLM-8X-50-STUD	M8	1.97 (50mm)	.83
CLM-8X-65-STUD		2.56 (65mm)	1.14
CLM-8X-80-STUD		3.15 (80mm)	1.22
CLM-8X-95-STUD	3.74 (95mm)		
CLM-8X-110-STUD	4.33 (110mm)		
CLM-10X-50-STUD	M10	1.97 (50mm)	.79
CLM-10X-65-STUD		2.56 (65mm)	1.08
CLM-10X-80-STUD		3.15 (80mm)	1.38
CLM-10X-95-STUD		3.74 (95mm)	
CLM-10X-110-STUD		4.33 (110mm)	
CLM-10X-125-STUD		4.92 (125mm)	
CLM-10X-150-STUD	5.91 (150mm)	1.54	
CLM-10X-175-STUD	6.89 (175mm)		
CLM-10X-200-STUD	7.87 (200mm)		
CLM-12X-65-STUD	2.56 (65mm)		1.04
CLM-12X-80-STUD	3.15 (80mm)		1.34
CLM-12X-95-STUD	3.74 (95mm)		1.54
CLM-12X-110-STUD	4.33 (110mm)		
CLM-12X-125-STUD	4.92 (125mm)		
CLM-12X-150-STUD	5.91 (150mm)		
CLM-12X-175-STUD	6.89 (175mm)		
CLM-12X-200-STUD	7.87 (200mm)		
CLM-12X-250-STUD	9.84 (250mm)	1.85	
CLM-12X-300-STUD	11.81 (300mm)		
CLM-16X-80-STUD	3.15 (80mm)		1.26
CLM-16X-95-STUD	3.74 (95mm)		1.56
CLM-16X-110-STUD	4.33 (110mm)		1.85
CLM-16X-125-STUD	4.92 (125mm)		
CLM-16X-150-STUD	5.91 (150mm)		
CLM-16X-175-STUD	6.89 (175mm)		
CLM-16X-200-STUD	7.87 (200mm)		
CLM-16X-250-STUD	9.84 (250mm)		
CLM-20X-80-STUD	M20	3.15 (80mm)	1.18
CLM-20X-95-STUD		3.74 (95mm)	1.48
CLM-20X-110-STUD		4.33 (110mm)	1.77
CLM-20X-125-STUD		4.92 (125mm)	2.07
CLM-20X-150-STUD		5.91 (150mm)	2.17
CLM-20X-175-STUD		6.89 (175mm)	
CLM-20X-200-STUD	7.87 (200mm)		

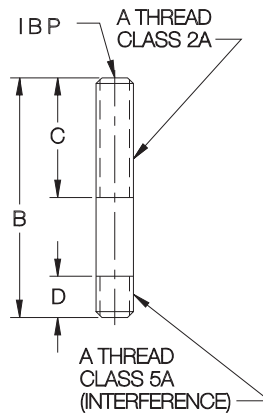
FIXTURE STUDS

300-SERIES STAINLESS STEEL, PASSIVATED



Stainless Steel

Fixture Studs have a thread-locking interference thread at the bottom end to install permanently in a fixture plate. These small sizes are designed specifically for mini-size stainless clamp straps. Available in thread sizes from #10-24 to 3/8-16, each in a choice of several lengths.



INCH

PART NO.	A	B	C	D
CL-11310	#10-24	1	1/2	7/32
CL-11315		1-1/2	3/4	
CL-11320		2	3/4	
CL-11410	#10-32	1	1/2	7/32
CL-11415		1-1/2	3/4	
CL-11420		2	3/4	
CL-11515	1/4-20	1-1/2	5/8	9/32
CL-11520		2	3/4	
CL-11525		2-1/2	3/4	
CL-11530		3	1	
CL-11615	5/16-18	1-1/2	5/8	11/32
CL-11620		2	1	
CL-11625	3/8-16	2-1/2	1-1/4	11/32
CL-11715		1-1/2	3/4	
CL-11725		2-1/2	1-1/4	
CL-11730		3	1-3/8	
CL-11740		4	1-1/2	

FULLY THREADED STUDS

316 STAINLESS STEEL, PASSIVATED

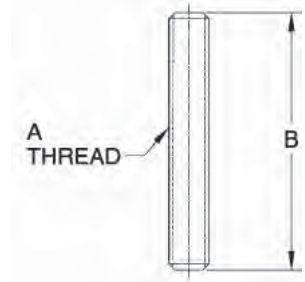


Stainless Steel

Fully Threaded Studs are ideal for making custom assemblies using thread-locking adhesive – including stud-type versions of any hand knob, and cushion spindles for Toggle Clamps. These studs are made of 316 stainless steel for excellent corrosion resistance. A thread-locking adhesive such as Loctite 263 is suitable for most applications. Available in thread sizes from #10-32 to 5/8-11 (M5 to M10 in metric), each in a choice of many lengths.

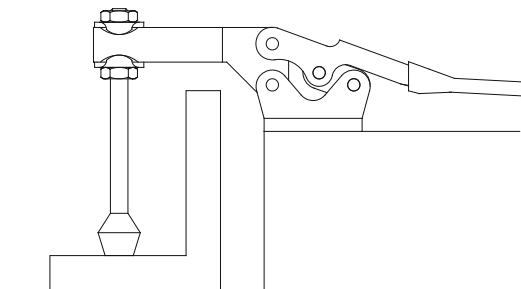
INCH

PART NO.	A THREAD SIZE	B OVERALL LENGTH
CL-10-32X1.50-FTS-S	#10-32	1.50
CL-10-32X1.75-FTS-S		1.75
CL-10-32X2.00-FTS-S		2.00
CL-10-32X2.50-FTS-S		2.50
CL-1/4-20X1.50-FTS-S	1/4-20	1.50
CL-1/4-20X1.75-FTS-S		1.75
CL-1/4-20X2.00-FTS-S		2.00
CL-1/4-20X2.50-FTS-S		2.50
CL-1/4-20X3.00-FTS-S		3.00
CL-1/4-20X4.00-FTS-S		4.00
CL-5/16-18X1.75-FTS-S	5/16-18	1.75
CL-5/16-18X2.00-FTS-S		2.00
CL-5/16-18X2.50-FTS-S		2.50
CL-5/16-18X3.00-FTS-S		3.00
CL-5/16-18X4.00-FTS-S	3/8-16	4.00
CL-3/8-16X2.00-FTS-S		2.00
CL-3/8-16X2.50-FTS-S		2.50
CL-3/8-16X3.00-FTS-S		3.00
CL-3/8-16X4.00-FTS-S		4.00
CL-3/8-16X5.00-FTS-S		5.00
CL-1/2-13X2.50-FTS-S	1/2-13	2.50
CL-1/2-13X3.00-FTS-S		3.00
CL-1/2-13X4.00-FTS-S		4.00
CL-1/2-13X5.00-FTS-S		5.00
CL-1/2-13X6.00-FTS-S		6.00



METRIC

PART NO.	A THREAD SIZE	B OVERALL LENGTH
CLM-5X30-FTS-S	M5	1.18 (30mm)
CLM-6X30-FTS-S	M6	1.18 (30mm)
CLM-6X40-FTS-S		1.58 (40mm)
CLM-8X50-FTS-S	M8	1.97 (50mm)
CLM-8X70-FTS-S		2.76 (70mm)
CLM-10X50-FTS-S	M10	1.97 (50mm)
CLM-10X70-FTS-S		2.76 (70mm)



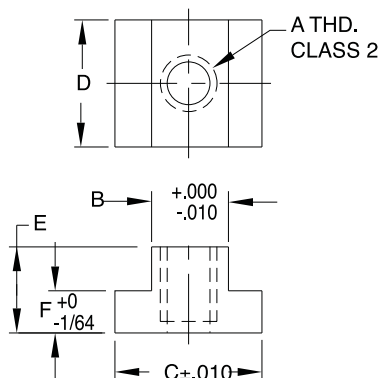
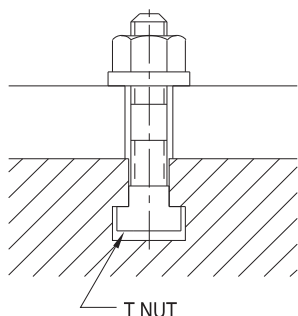
Fully Threaded Studs can be used with Polyurethane Flat Cushions to make custom Toggle Clamp spindles.

T NUTS

STEEL: MILD STEEL, CARBURIZED-HARDENED, BLACK OXIDE FINISH
 STAINLESS: 300-SERIES STAINLESS STEEL, PASSIVATED



Sizes for all standard machine tables. Safety-stop feature prevents breaking the machine-table slot. Threads stop one short of going through T Nut to prevent a stud from jacking the nut out of the table.



STEEL (INCH)

PART NO.	TABLE SLOT SIZE	A	B	C	D	E	F	
CL-26-TN	5/16 or 8mm	1/4-20	.307	9/16	9/16	1/4	3/16	
CL-18-TN	3/8 or 10mm	1/4-20	.370	5/8	7/8	7/16	7/32	
CL-19-TN		5/16-18						
CL-20-TN	7/16	5/16-18	.432	11/16	7/8	1/2		
CL-00-TN		3/8-16						
CL-12-TN	12mm	3/8-16	.467	3/4	3/4	1/2	17/64	
CL-21-TN	1/2	5/16-18	.495	7/8	7/8	1/2	9/32	
CL-0-TN		3/8-16						
CL-1-TN	9/16 or 14mm	3/8-16	.550		7/8	7/8	1/2	5/16
CL-9-TN		1/2-13						
CL-16-TN	5/8 or 16mm	3/8-16	.620	1	1-1/8	5/8	11/32	
CL-2-TN		1/2-13						
CL-3-TN	11/16 or 18mm	1/2-13	.682	1-1/8	1-1/4	3/4	7/16	
CL-10-TN		5/8-11						
CL-10A-TN		5/8-11	.675		1-1/2	1-1/8	15/32	
CL-17-TN		1/2-13	.745		1-1/4	1-1/4	3/4	15/32
CL-4-TN	5/8-11							
CL-14-TN	20mm	5/8-11	.782	1-1/4	1-1/4	7/8	9/16	
CL-5-TN	13/16	5/8-11	.807					1-1/4
CL-11-TN		3/4-10						
CL-15-TN	22mm	3/4-10	.861	1-1/4	1-1/2	1	1/2	
CL-6-TN		7/8						3/4-10
CL-7-TN	1	3/4-10	.995	1-5/8	1-3/4	1	5/8	
CL-22-TN		7/8-9						
CL-8-TN	1-1/16	3/4-10	1.057		2	1-1/8	11/16	
CL-23-TN		7/8-9						
CL-24-TN	1-1/8	7/8-9	1.120	1-3/4	2	1-1/2	3/4	
CL-25-TN		1"-8						

STAINLESS STEEL (INCH)

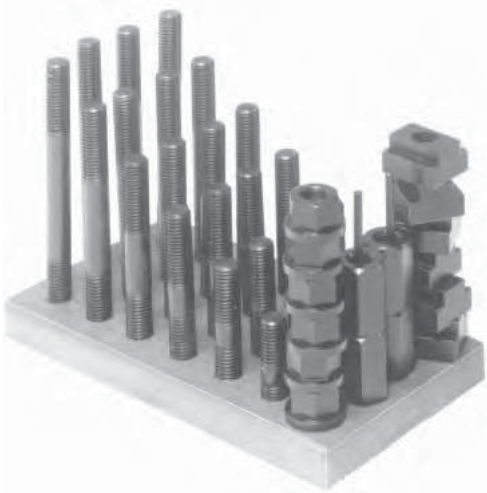
PART NO.	TABLE SLOT SIZE	A	B	C	D	E	F
CL-00-STN	7/16	3/8-16	.432	11/16	7/8	1/2	7/32
CL-0-STN	1/2						
CL-1-STN	9/16 or 14mm	3/8-16	.550	7/8	7/8	1/2	5/16
CL-9-STN		1/2-13					
CL-2-STN	5/8 or 16mm	1/2-13	.620	1	1-1/8	5/8	11/32
CL-3-STN	11/16 or 18mm	1/2-13	.682	1-1/8	1-1/4	3/4	7/16
CL-10-STN		5/8-11					

STEEL (METRIC)

PART NO.	TABLE SLOT SIZE	A	B	C	D	E	F
CLM-26-TN	5/16 or 8mm	M6	.307	9/16	9/16	1/4	3/16
CLM-18-TN	3/8 or 10mm	M6	.370	5/8	7/8	7/16	7/32
CLM-19-TN		M8					
CLM-00-TN	12mm	M10	.467	3/4	3/4	1/2	17/64
CLM-0-TN	1/2	M10	.495	7/8	7/8	1/2	9/32
CLM-1-TN	9/16 or 14mm						
CLM-9-TN	9/16 or 14mm	M10	.546	7/8	7/8	5/8	5/16
CLM-2-TN		M12					
CLM-3-TN	11/16 or 18mm	M12	.620	1	1-1/8	5/8	11/32
CLM-10-TN		M16					
CLM-4-TN	20mm	M16	.782	1-1/4	1-1/4	7/8	15/32
CLM-5-TN	13/16						
CLM-6-TN	22mm	M20	.861	1-1/4	1-1/2	1	1/2

T NUT & STUD SETS

INFO+: SEE PAGES 250, 258, AND 292 FOR MATERIAL SPECIFICATIONS



INCH

PART NO.	TABLE SLOT SIZE	STUDS (24)	T NUTS (6)	FLANGE NUTS (6)	COUPLING NUTS (4)	HOLDER (1)
CL-1-TNS	7/16	3/8-16	CL-00-TN	CL-2-FN	CL-1-CN	CL-1-TNH
CL-14-TNS	12mm		CL-12-TN			
CL-2-TNS	1/2		CL-0-TN			
CL-3-TNS	9/16 or 14mm	3/8-16	CL-1-TN	CL-2-FN	CL-1-CN	CL-1-TNH
CL-4-TNS		1/2-13	CL-9-TN	CL-3-FN	CL-2-CN	CL-2-TNH
CL-17-TNS	5/8 or 16mm	3/8-16	CL-16-TN	CL-2-FN	CL-1-CN	CL-1-TNH
CL-5-TNS		1/2-13	CL-2-TN	CL-3-FN	CL-2-CN	CL-2-TNH
CL-6-TNS	11/16 or 18mm	1/2-13	CL-3-TN	CL-3-FN	CL-2-CN	CL-2-TNH
CL-7-TNS		5/8-11	CL-10-TN	CL-4-FN	CL-3-CN	CL-3-TNH
CL-18-TNS		1/2-13	CL-17-TN	CL-3-FN	CL-2-CN	CL-2-TNH
CL-8-TNS	3/4	5/8-11	CL-4-TN	CL-4-FN	CL-3-CN	CL-3-TNH
CL-15-TNS			20mm			
CL-9-TNS	13/16	5/8-11	CL-5-TN	CL-4-FN	CL-3-CN	CL-3-TNH
CL-10-TNS		3/4-10	CL-11-TN	CL-5-FN	CL-4-CN	CL-4-TNH
CL-16-TNS	22mm	3/4-10	CL-15-TN	CL-5-FN	CL-4-CN	CL-4-TNH
CL-11-TNS	7/8		CL-6-TN			
CL-12-TNS	1		CL-7-TN			
CL-13-TNS	1-1/16		CL-8-TN			

40-piece set includes a complete range of stud lengths with matching T Nuts, Flange Nuts, and Coupling Nuts — all mounted in a handy wooden holder.

Set includes:

- (4) Studs of each length 3", 4", 5", 6", 7", 8", or 80, 95, 125, 150, 175, 200mm
- (6) T Nuts
- (6) Flange Nuts
- (4) Coupling Nuts
- (1) Handy Holder

METRIC

CLM-1-TNS	12mm	M10	CLM-00-TN	CLM-10-FN	CLM-10-CN	CL-1-TNH
CLM-2-TNS	1/2		CLM-0-TN			
CLM-3-TNS	9/16 or 14mm	M10	CLM-1-TN	CLM-10-FN	CLM-10-CN	CL-1-TNH
CLM-4-TNS		M12	CLM-9-TN	CLM-12-FN	CLM-12-CN	CL-2-TNH
CLM-5-TNS	5/8 or 16mm	M12	CLM-2-TN	CLM-12-FN	CLM-12-CN	CL-2-TNH
CLM-6-TNS	11/16 or 18mm	M12	CLM-3-TN	CLM-12-FN	CLM-12-CN	CL-2-TNH
CLM-7-TNS		M16	CLM-10-TN	CLM-16-FN	CLM-16-CN	CL-3-TNH
CLM-8-TNS		20mm	M16	CLM-4-TN	CLM-16-FN	CLM-16-CN
CLM-9-TNS	13/16	M20	CLM-5-TN	CLM-20-FN	CLM-20-CN	CL-4-TNH
CLM-11-TNS	22mm		CLM-6-TN			

T-SLOT CLEANERS

MILD STEEL, CARBURIZED-HARDENED, BLACK OXIDE FINISH

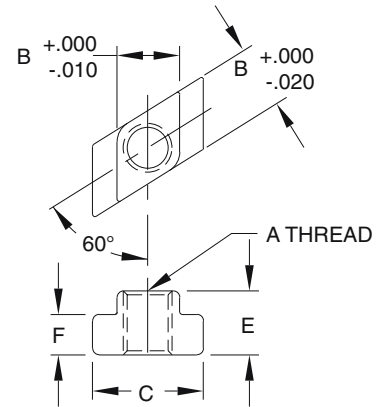
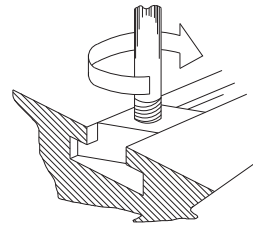
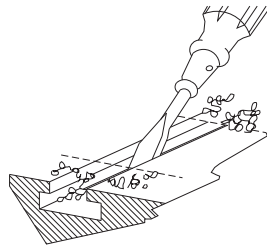


This handy tool is ideal for cleaning chips and debris out of machine-table T Slots. Much safer than blowing chips out with air. Made of heat treated steel, a full .109" thick. Use for any T Slot 3/8" (10mm) and above. One end is sized for smaller T Slots, while the other end is sized for larger T Slots.

PART NO.	OVERALL LENGTH	THICKNESS
CL-1-TSCL	6	.109

ROTARY T NUTS

ALLOY STEEL, RC 40-45, BLACK OXIDE FINISH



Rotary T Nuts can be inserted into the top of a T slot, unlike normal T Nuts, which must be inserted at the end of the slot. This allows adding T Nuts and Studs anywhere for a new setup, without tearing down any existing setups. Make sure that the area where the Rotary T Nut will be inserted is clear of debris, to allow the T Nut to rotate a full 60 degrees. Same safety-stop thread feature as standard T Nuts.

INCH

PART NO.	TABLE SLOT SIZE	A	B	C	E	F
CL-0-RTN	1/2	3/8-16	.495	7/8	1/2	9/32
CL-9-RTN	9/16	1/2-13	.560	7/8	5/8	11/32
CL-2-RTN	5/8 or 16mm	1/2-13	.620	1	5/8	11/32
CL-3-RTN	11/16 or 18mm	1/2-13	.682	1-1/8	3/4	7/16
CL-10-RTN		5/8-11				
CL-4-RTN	3/4 or 20mm	5/8-11	.745	1-1/4	3/4	15/32
CL-7-RTN	1	3/4-10	.995	1-5/8	1	5/8

METRIC

CLM-0-RTN	1/2	M10	.495	7/8	1/2	9/32
CLM-9-RTN	9/16 or 14mm	M12	.550	7/8	5/8	11/32
CLM-2-RTN	5/8 or 16mm	M12	.620	1	5/8	11/32
CLM-3-RTN	11/16 or 18mm	M12	.682	1-1/8	3/4	7/16
CLM-10-RTN		M16				
CLM-4-RTN	3/4 or 20mm	M16	.745	1-1/4	3/4	15/32

ROTARY T NUT AND STUD SETS

INFO+: SEE PAGES 284, 289 AND 293 FOR MATERIAL SPECIFICATIONS

40-piece set includes a complete range of stud lengths with matching T Nuts, Flange Nuts, and Coupling Nuts — all mounted in a handy wooden holder. Set includes:

- (4) Studs of each length 3", 4", 5", 6", 7" and 8" (80, 95, 125, 150, 175, and 200mm in metric)
- (6) Rotary T Nuts
- (6) Flange Nuts
- (4) Coupling Nuts



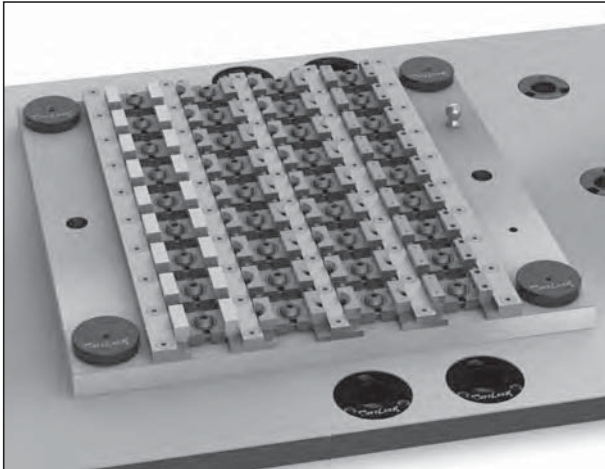
INCH

PART NO.	TABLE SLOT SIZE	STUDS (24)	ROTARY T NUTS (6)	FLANGE NUTS (6)	COUPLING NUTS (4)	HOLDER (1)
CL-2-RTNS	1/2	3/8-16	CL-0-RTN	CL-2-FN	CL-1-CN	CL-1-TNH
CL-4-RTNS	9/16 or 14mm	1/2-13	CL-9-RTN	CL-3-FN	CL-2-CN	CL-2-TNH
CL-5-RTNS	5/8 or 16mm	1/2-13	CL-2-RTN	CL-3-FN	CL-2-CN	CL-2-TNH
CL-6-RTNS	11/16 or 18mm	1/2-13	CL-3-RTN	CL-3-FN	CL-2-CN	CL-2-TNH
CL-7-RTNS		5/8-11	CL-10-RTN	CL-4-FN	CL-3-CN	CL-3-TNH
CL-8-RTNS	3/4 or 20mm	5/8-11	CL-4-RTN	CL-4-FN	CL-3-CN	CL-3-TNH
CL-12-RTNS	1	3/4-10	CL-7-RTN	CL-5-FN	CL-4-CN	CL-4-TNH

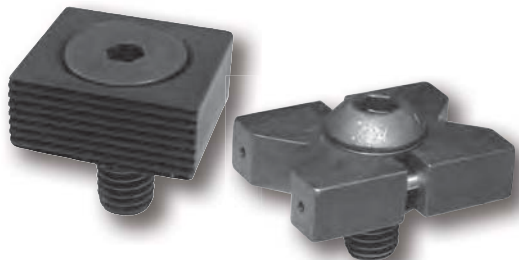
METRIC

CLM-2-RTNS	1/2	M10	CLM-0-RTN	CLM-10-FN	CLM-10-CN	CL-1-TNH
CLM-4-RTNS	9/16 or 14mm	M12	CLM-9-RTN	CLM-12-FN	CLM-12-CN	CL-2-TNH
CLM-5-RTNS	5/8 or 16mm	M12	CLM-2-RTN	CLM-12-FN	CLM-12-CN	CL-2-TNH
CLM-6-RTNS	11/16 or 18mm	M12	CLM-3-RTN	CLM-12-FN	CLM-12-CN	CL-2-TNH
CLM-7-RTNS		M16	CLM-10-RTN	CLM-16-FN	CLM-16-CN	CL-3-TNH
CLM-8-RTNS	3/4 or 20mm	M16	CLM-4-RTN	CLM-16-FN	CLM-16-CN	CL-3-TNH

Perfect for High Density Machining!



**Strong Clamping Action
For Fixturing Small Parts**

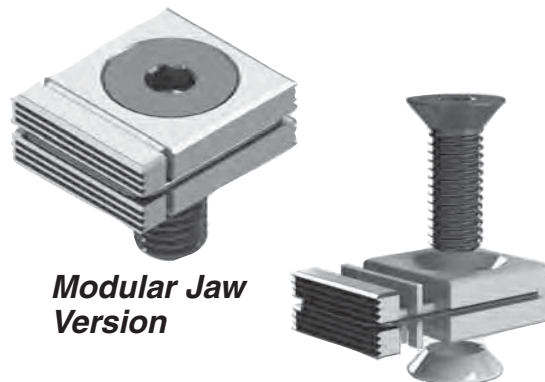


Patented Tiny Vise® edge clamps from Carr Lane Manufacturing grip the side of a workpiece to keep the top clear for machining. Patent number 5,624,106.



**Low Profile
Version**

Compare the amazing low-profile Tiny Vise® clamp with our standard Tiny Vise® clamp (left).



**Modular Jaw
Version**

Modular jaw design allows adjustment for workpiece-size variations. Additional patents pending.

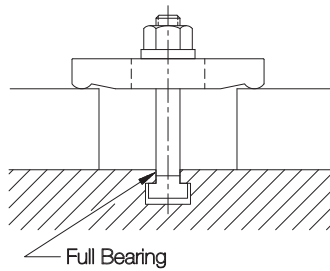
- Clamping force is applied with the easy turn of a hex wrench
- Only Tiny Vise® Edge Clamps truly exert down thrust force on the workpiece, to prevent it from lifting
- Patented, more durable than similar clamps
- Wide range of sizes. Standard versions include regular single, v-jaw single, regular double, and v-jaw double.
- Newer versions include low profile and modular jaw styles.
- Made in the USA.

T-SLOT BOLTS

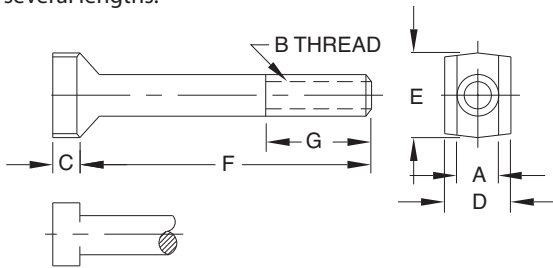
FORGED 1045 STEEL, BLACK OXIDE FINISH



T-Slot Bolt

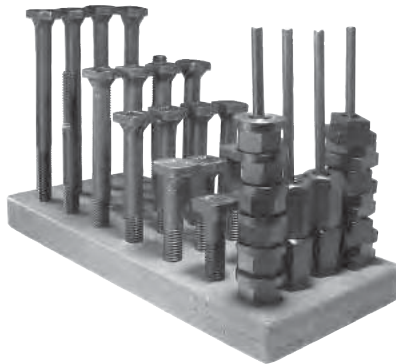


High-strength bolt for T-slotted machine tables. Full bearing surfaces prevent twisting or jamming in table slots. Available in thread sizes from 3/8-16 to 3/4-10, each in a choice of several lengths.



T-SLOT BOLTS (INCH)

PART NO.	B THREAD	A	FITS TABLE SLOTS	C	D	E	F LENGTH	G
CL-6-TSB-1.00	3/8-16	3/8	3/8 7/16 1/2 10mm 12mm	3/16	5/8	13/16	1.00	.62
CL-6-TSB-1.50							1.50	1.00
CL-6-TSB-2.00							2.00	1.25
CL-6-TSB-2.50							2.50	1.50
CL-6-TSB-3.00							3.00	
CL-6-TSB-3.50							3.50	
CL-6-TSB-4.00	4.00							
CL-8-TSB-1.50	1/2-13	1/2	1/2 9/16 5/8 14mm 16mm	1/4	13/16	15/16	1.50	1.00
CL-8-TSB-2.00							2.00	1.25
CL-8-TSB-2.50							2.50	1.50
CL-8-TSB-3.00							3.00	
CL-8-TSB-3.50							3.50	
CL-8-TSB-4.00							4.00	
CL-8-TSB-5.00	5.00	2.00						
CL-8-TSB-6.00	6.00							
CL-10-TSB-1.50	5/8-11	5/8	5/8 11/16 3/4 18mm 20mm	5/16	1-1/32	1-3/16	1.50	1.00
CL-10-TSB-2.00							2.00	1.25
CL-10-TSB-2.50							2.50	1.50
CL-10-TSB-3.00							3.00	
CL-10-TSB-3.50							3.50	
CL-10-TSB-4.00							4.00	
CL-10-TSB-5.00	5.00	2.00						
CL-10-TSB-6.00	6.00							
CL-10-TSB-8.00	8.00	3.00						
CL-12-TSB-3.00	3/4-10	3/4	3/4 13/16 20mm 22mm	3/8	1-1/4	1-7/16	3.00	1.50
CL-12-TSB-3.50							3.50	
CL-12-TSB-4.00							4.00	
CL-12-TSB-5.00							5.00	
CL-12-TSB-6.00							6.00	2.00
CL-12-TSB-8.00							8.00	3.00



T-Slot Bolt Kit

34-piece set includes a complete range of T-Slot Bolt lengths, with matching extension Studs, Flange Nuts, and Coupling Nuts. Set includes:

- (4) T-Slot Bolts in each of five different lengths
- (4) Studs
- (6) Flange Nuts
- (4) Coupling Nuts
- (1) Handy Holder

T-SLOT BOLT KITS (INCH)

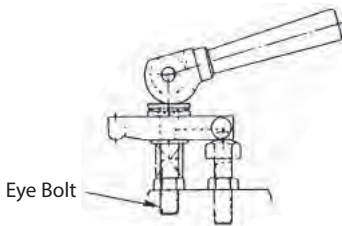
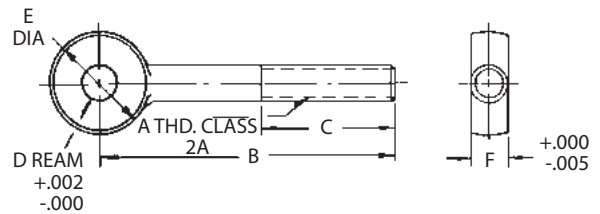
PART NO.	FITS TABLE SIZES	T-SLOT BOLTS (4 EACH)	STUDS (4)	FLANGE NUTS (6)	COUPLING NUTS (4)	HOLDER (1)
CL-6-TSBK	3/8, 7/16, 1/2 10mm, 12mm	CL-6-TSB-1.50 CL-6-TSB-2.00 CL-6-TSB-2.50 CL-6-TSB-3.00 CL-6-TSB-4.00	CL-3/8-16X4.00-STUD	CL-2-FN	CL-1-CN	CL-1-TNH
CL-8-TSBK	1/2, 9/16, 5/8 14mm, 16mm	CL-8-TSB-2.00 CL-8-TSB-3.00 CL-8-TSB-4.00 CL-8-TSB-5.00 CL-8-TSB-6.00	CL-1/2-13X5.00-STUD	CL-3-FN	CL-2-CN	CL-2-TNH
CL-10-TSBK	5/8, 11/16, 3/4 16mm, 18mm	CL-10-TSB-3.00 CL-10-TSB-4.00 CL-10-TSB-5.00 CL-10-TSB-6.00 CL-10-TSB-8.00	CL-5/8-11X6.00-STUD	CL-4-FN	CL-3-CN	CL-3-TNH
CL-12-TSBK	3/4, 13/16 20mm, 22mm	CL-12-TSB-3.00 CL-12-TSB-4.00 CL-12-TSB-5.00 CL-12-TSB-6.00 CL-12-TSB-8.00	CL-3/4-10X7.00-STUD	CL-5-FN	CL-4-CN	CL-4-TNH

EYE BOLTS

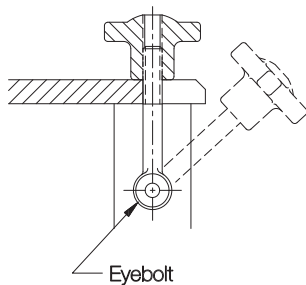
STEEL: 1144, 115,000 PSI MIN. TENSILE STRENGTH, 100,000 PSI MIN. YIELD STRENGTH, BLACK OXIDE FINISH
 STAINLESS STEEL: 300 SERIES



High-strength Eye Bolt with a reamed bearing hole. High-carbon steel, fully machined from solid barstock. Also available in stainless steel. Available in other lengths and materials as a special.



Eye Bolt



Eyebolt

INCH

PART NO. STEEL	PART NO. STAINLESS STEEL	A	D DIA		B	C	E	F	
			NOMINAL	ACTUAL				NOMINAL	ACTUAL
CL-25-EB	CL-25-EB-S	1/4-20	3/16	.188	2	3/4	1/2	1/4	.250
CL-26-EB	CL-26-EB-S				3	1-1/4			
CL-31-EB	CL-31-EB-S	5/16-18	1/4	.250	3	1-1/2	5/8	5/16	.312
CL-32-EB	—				4	2			
CL-38-EB	—	3/8-16	3/8	.375	3	1-1/2	3/4	3/8	.375
CL-40-EB	CL-40-EB-S				3-3/4	2			
CL-37-EB	—				5	2-1/2			
CL-39-EB	CL-39-EB-S				5	2-1/2			
CL-50-EB	CL-50-EB-S	1/2-13	3/8	.375	3-3/4	1-1/2	1	1/2	.500
CL-51-EB	CL-51-EB-S				5	2			
CL-62-EB	CL-62-EB-S	5/8-11	5/8	.625	4-1/2	2	1-1/4	5/8	.625
CL-63-EB	CL-63-EB-S				6	2-1/2			
CL-75-EB	—	3/4-10	3/4	.750	6	2-1/2	1-1/2	3/4	.750
CL-76-EB	—				6	2-1/2			

METRIC

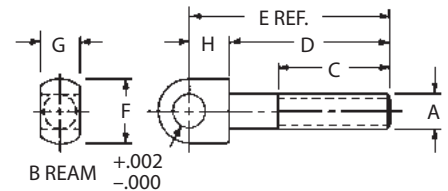
CLM-25A-EB	CLM-25A-EB-S	M6	6mm	.236	1.97	.79	.47	6mm	.236
CLM-26A-EB	—				2.95	1.18			
CLM-31A-EB	CLM-31A-EB-S	M8	8mm	.315	2.95	1.57	.63	8mm	.315
CLM-32A-EB	—				3.94	1.97			
CLM-40-EB	CLM-40-EB-S	M10	10mm	.394	2.95	1.57	.79	10mm	.394
CLM-37-EB	CLM-37-EB-S				3.94	1.97			
CLM-39-EB	—				4.92	2.56			
CLM-50A-EB	CLM-50A-EB-S				3.94	1.57			
CLM-51A-EB	CLM-51A-EB-S	M12	12mm	.472	4.92	1.97	.94	12mm	.472
CLM-62-EB	CLM-62-EB-S				4.53	1.97			
CLM-63-EB	CLM-63-EB-S	M16	16mm	.630	5.91	2.56	1.26	16mm	.630
CLM-76A-EB	—				5.91	2.56			
CLM-76A-EB	—	M20	20mm	.787	5.91	2.56	1.57	20mm	.787

SWING BOLTS

STEEL: 1144, 115,000 PSI MIN. TENSILE STRENGTH, 100,000 PSI MIN. YIELD STRENGTH, BLACK OXIDE FINISH

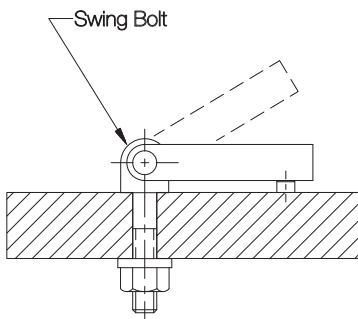


Shoulder-type Eye Bolt that can be used as a stationary hinge point. Reamed hole for smooth bearing.



INCH

PART NO.	A	B DIA		C	D	E	F DIA	G		H
		NOMINAL	ACTUAL					NOMINAL	ACTUAL	
CL-00-SB	1/4-20	1/4	.250	3/4	1-3/16	1-1/2	1/2	5/16	.312	5/16
CL-0-SB	5/16-18	5/16	.312	1	1-5/8	2	5/8	3/8	.375	3/8
CL-1-SB	3/8-16	3/8	.375	1-3/8	2	2-1/2	3/4	1/2	.500	1/2
CL-2-SB	1/2-13	1/2	.500	1-3/4	2-1/2	3-1/8	1	5/8	.625	5/8
CL-2A-SB				2-1/4	3-1/2	4-1/8				
CL-3-SB	5/8-11	5/8	.625	1-3/4	2-3/4	3-1/2	1-1/4	3/4	.750	3/4
CL-3A-SB				2-1/2	4	4-3/4				

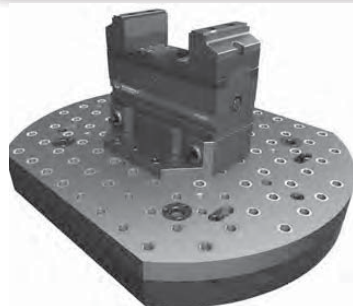


METRIC

CLM-00-SB	M6	6mm	.236	.79	1.18	1.57	.47	8mm	.315	.39
CLM-0-SB	M8	8mm	.315	.98	1.57	1.96	.63	10mm	.394	
CLM-1-SB	M10	10mm	.394	1.38	1.97	2.56	.79	12mm	.472	.59
CLM-2B-SB	M12	12mm	.472	1.77	2.56	3.15	.94	14mm	.551	.59
CLM-2C-SB				2.17	3.54	4.13				
CLM-3-SB	M16	16mm	.630	1.77	2.76	3.55	1.26	18mm	.709	.79
CLM-3A-SB				2.56	3.94	4.73				



5-Axis Workholding



Quick-Change With No Adaptor Plates, Blocks Or Pallets Necessary

- Quintus fixture plates available as blank, or with multi-function holes
- German-built, extremely accurate precision vises
- Allows unrestricted tool access for multiple-side machining
- Numerous jaw types and sizes available

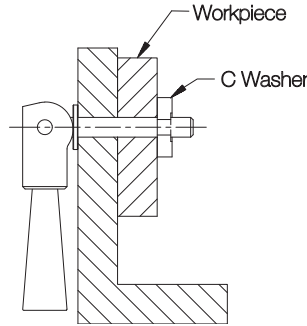
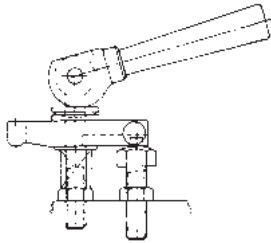
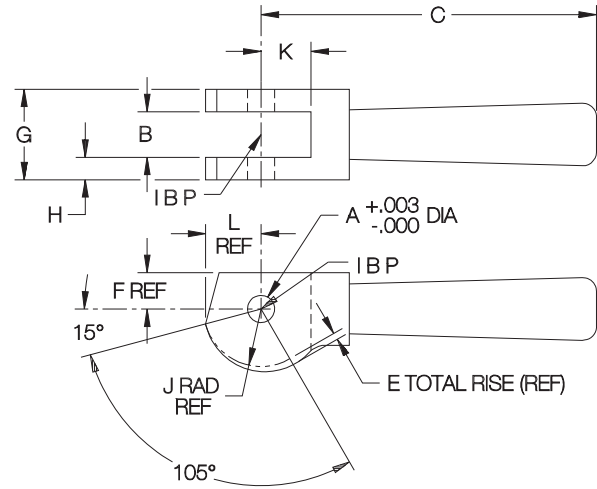
SEE PAGES 343-363

DOUBLE CAMS

1020 STEEL, CARBURIZED-HARDENED BLACK OXIDE FINISH



Straddle-type cam handle that can be used with an Eyebolt or custom-made drawbar. Continuous-rise spiral cam locks securely in any position. Available in six inch and five metric sizes.



Double Cams are used with Eyebolts on Slotted-Heel Clamp Assemblies. **INFO+**: See page 241.

7

INCH

PART NO.	MATCHING EYEBOLT SIZE	A DIA		B		C	E	F	G	H	J	K	L	CLEVIS PIN REQD
		NOMINAL	ACTUAL	NOMINAL	ACTUAL									
CL-11-CH	1/4-20	3/16	.188	1/4	.266	2-17/32	.046	1/4	5/8	3/16	.40	.33	.38	CL-610-CLVP
CL-11A-CH	5/16-18	1/4	.250	5/16	.328					5/32				CL-810-CLVP
CL-12-CH	3/8-16	5/16	.313	3/8	.390	3-13/16	.062	5/16	7/8	1/4	.52	.54	.50	CL-1014-CLVP
CL-13-CH	1/2-13	3/8	.376	1/2	.516	4-5/8	.094	1/2	1-1/8	5/16	.79	.69	.76	CL-1218-CLVP
CL-14-CH	5/8-11	5/8	.626	5/8	.641	4-15/16	.109	9/16	1-1/4		.92	.85	.89	CL-2020-CLVP
CL-15-CH	3/4-10	5/8	.626	3/4	.766	5-1/8	.141	5/8	1-1/2	3/8	1.19	1.00	1.15	CL-2024-CLVP

METRIC

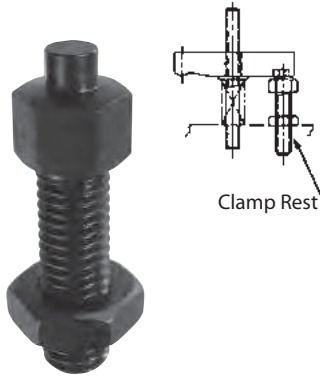
CLM-11-CH	M6	6mm	.237	6mm	.266	2-17/32	.046	1/4	5/8	3/16	.40	.33	.38	CLM-616-CLVP
CLM-12-CH	M10	10mm	.395	10mm	.409	3-13/16	.062	5/16	7/8	1/4	.52	.54	.50	CLM-1023-CLVP
CLM-13-CH	M12	12mm	.473	12mm	.516	4-5/8	.094	1/2	1-1/8	5/16	.79	.69	.76	CLM-1229-CLVP
CLM-14-CH	M16	16mm	.631	16mm	.641	4-15/16	.109	9/16	1-1/4		.92	.85	.89	CLM-1632-CLVP
CLM-15-CH	M20	20mm	.788	20mm	.803	5-1/8	.141	5/8	1-1/2	3/8	1.19	1.00	1.15	CLM-2038-CLVP

CLAMP RESTS

STEEL: 12L14, CARBURIZED-HARDENED, BLACK OXIDE FINISH
 STAINLESS STEEL: 300 SERIES

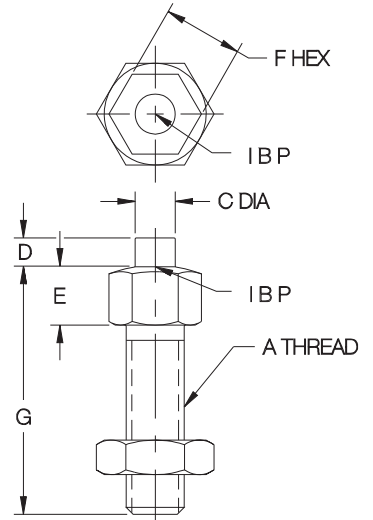
STEEL (INCH)

PART NO.	A	C DIA	D	E	F	G
CL-1-CR	1/4-20	5/32	1/8	1/4	7/16	1-1/8
CL-1A-CR	5/16-18	7/32	3/16	5/16	1/2	1-11/16
CL-1B-CR						2-7/16
CL-2-CR	3/8-16	11/32	7/32	3/8	9/16	2-1/32
CL-3-CR						3-21/32
CL-4-CR	1/2-13	11/32	1/4	1/2	11/16	2-1/8
CL-5-CR						3-5/8
CL-6-CR	5/8-11	15/32	1/4	5/8	7/8	2-3/8
CL-7-CR						3-5/8
CL-8-CR	3/4-10	15/32	1/4	5/8	1-1/16	2-1/2
CL-9-CR						3-5/8



Steel

Rear support for Slotted-Heel Clamp Straps. Steel version has a hex head for adjustment, and is furnished with a Jam Nut. Stainless steel version has a drilled hole for turning with a rod.



STEEL (METRIC)

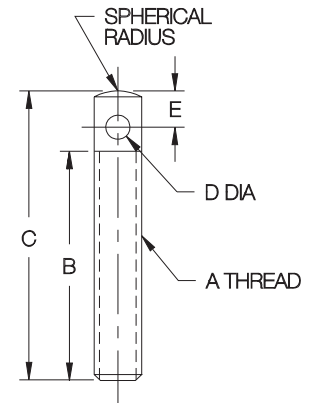
CLM-1-CR	M6	.157	.118	.20	10mm	1.06
CLM-1A-CR	M8	.217	.157	.31	13mm	1.77
CLM-2-CR	M10	.343	.236	.39	17mm	1.93
CLM-3-CR						3.70
CLM-4-CR	M12	.343	.236	.59	19mm	2.13
CLM-4A-CR						3.70
CLM-5-CR	M16	.472	.236	.59	24mm	2.13
CLM-7-CR						3.70
CLM-8-CR	M20	.472	.276	.59	30mm	2.48
CLM-9-CR						3.66



Stainless Steel

STAINLESS STEEL (INCH)

PART NO.	A	B	C	D DIA	E
CL-13407	#10-32	1/2	3/4	3/32	1/8
CL-13410		3/4	1		
CL-13415		1-1/4	1-1/2		
CL-13510	1/4-20	11/16	1	1/8	1/8
CL-13515		1-3/16	1-1/2		3/16
CL-13520		1-7/16	1-3/4		1/4
CL-13612		7/8	1-1/4		
CL-13615	5/16-18	1-1/8	1-1/2	5/32	3/16
CL-13620		1-5/8	2		
CL-13715	3/8-16	1-1/8	1-1/2	3/16	3/16
CL-13717		1-3/8	1-3/4		
CL-13727		2-3/8	2-3/4		



CLAMP REST SCREWS

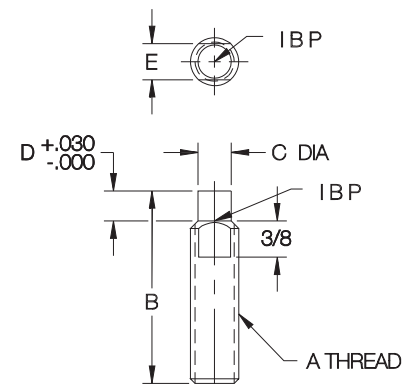
STEEL: 12L14, CARBURIZED-HARDENED, BLACK OXIDE FINISH



Rear support for Drill-Spot-Heel Clamp Straps.

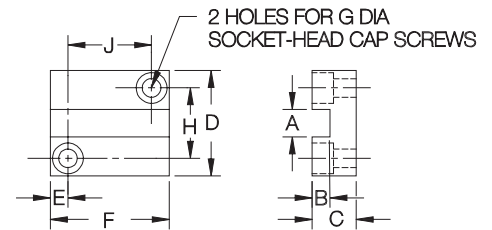
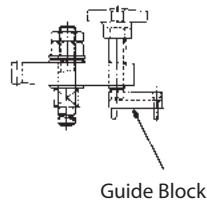
INCH

PART NO.	A	B	C DIA	D	E
CL-1-CRS	3/8-16	2	.250	.313	1/4
CL-2-CRS		2-1/2			
CL-3-CRS	1/2-13	3	.344	.313	3/8
CL-4-CRS		2			
CL-5-CRS		2-1/2			
CL-6-CRS		3			



GUIDE BLOCKS

1018 STEEL, CARBURIZED-HARDENED, BLACK OXIDE FINISH



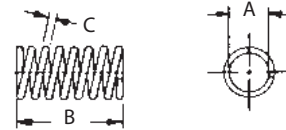
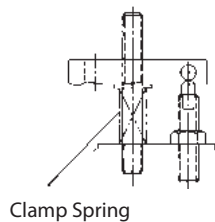
Rear slide block for Tapped-Heel Clamp Straps. Guides Clamp Strap straight back for loading.

PART NO.	FITS STUD SIZE	A	B	C	D	E	F	G	H	J
CL-2-GB	1/4-20 or M6	.198	.10	1/4	3/4	13/64	1-3/16	#6-32 or M4	15/32	25/32
CL-4-GB	3/8-16 or M10	.265	.20	1/2	1-1/8	7/32	2	#10-32 or M5	3/4	1-9/16
CL-6-GB	1/2-13 or M12	.390	.25	5/8	1-1/2	1/4	1-11/16	1/4-20 or M6	1	1-3/16
CL-8-GB	5/8-11 or M16	.515					1-5/8			1-1/8
CL-11-GB	3/4-10 or M20	.640	.37	3/4	1-3/4		2-13/32		1-1/4	1-29/32

7

CLAMP SPRINGS

STEEL: SPRING STEEL, BLACK OXIDE FINISH
STAINLESS STEEL: 300-SERIES



Sturdy spring that holds up a Clamp Strap for clear loading.

STEEL

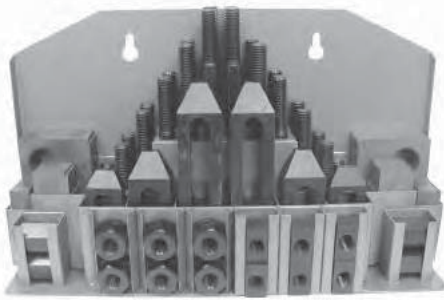
PART NO.	FITS STUD SIZE	A DIA	B	C DIA	NO. OF COILS
CL-5-SPG	1/4-20 or M6	19/64	1-1/8	.062	7
CL-6-SPG	5/16-18 or M8	23/64	1-7/32		6
CL-7-SPG	3/8-16 or M10	7/16	1-9/16		8
CL-9-SPG	1/2-13 or M12	9/16	1-11/16	.091	7
CL-11-SPG	5/8-11 or M16	11/16	1-3/4		5
CL-13-SPG	3/4-10 or M20	13/16	2-1/2		6-1/2

STAINLESS STEEL

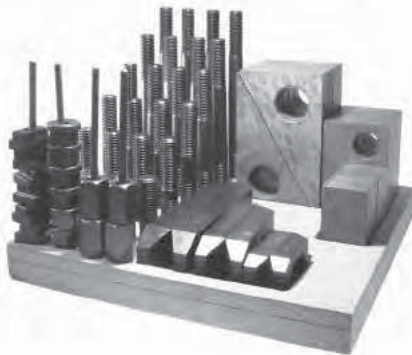
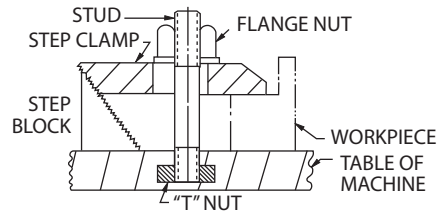
PART NO.	FITS STUD SIZE	A DIA	B	C DIA	NO. OF COILS
CL-2430.7	#10-32 or M5	13/64	.7	.042	5-1/2
CL-2440.7	1/4-20 or M6	17/64			
CL-2450.7	5/16-18 or M8	21/64	.7	.049	5
CL-2461.0	3/8-16 or M10	13/32			

CLAMPING KITS

SEE CATALOG PAGE OF EACH COMPONENT FOR MATERIAL SPECIFICATIONS

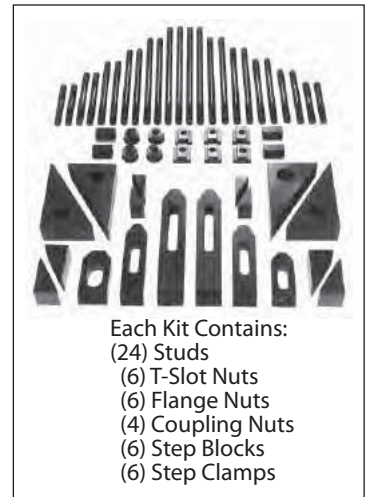


**Standard Blocks
Metal Holder**



**Heavy Blocks
Wooden Holder**

Economical Clamping Kit with a wide assortment of Step Clamps and Blocks. Fully machined from top-grade steel. Available with standard Step Blocks in a metal holder (for wall or machine mounting), or with wider heavy blocks in a wooden holder.



Each Kit Contains:
 (24) Studs
 (6) T-Slot Nuts
 (6) Flange Nuts
 (4) Coupling Nuts
 (6) Step Blocks
 (6) Step Clamps

7

STANDARD BLOCKS (INCH)

PART NO.	STUD SIZE	TABLE SLOT SIZE	T-NUT & STUD SET (1)	STEP CLAMPS (2) EACH	STEP BLOCK PAIRS (2) EACH	HOLDER (1)
CL-1-CK	3/8-16	7/16	CL-1-TNS	CL-32-STC CL-34-STC CL-36-STC	CL-10-BS CL-20-BS CL-30-BS	CL-1-CKMH
CL-20-CK		12mm	CL-14-TNS			
CL-2-CK		1/2	CL-2-TNS			
CL-3-CK		9/16 or 14mm	CL-3-TNS			
CL-24-CK	1/2-13	5/8 or 16mm	CL-17-TNS	CL-42-STC CL-44-STC CL-46-STC	CL-10-BS CL-20-BS CL-30-BS	CL-2-CKMH
CL-4-CK		9/16 or 14mm	CL-4-TNS			
CL-5-CK		5/8 or 16mm	CL-5-TNS			
CL-6-CK		11/16 or 18mm	CL-6-TNS			
CL-25-CK	5/8-11	3/4	CL-18-TNS	CL-52-STC CL-54-STC CL-56-STC	CL-10-BS CL-20-BS CL-30-BS	CL-3-CKMH
CL-7-CK		11/16 or 18mm	CL-7-TNS			
CL-8-CK		3/4	CL-8-TNS			
CL-21-CK		20mm	CL-15-TNS			
CL-9-CK	3/4-10	13/16	CL-9-TNS	CL-16-TNS CL-11-TNS CL-12-TNS CL-13-TNS	CL-40-BS CL-50-BS CL-60-BS	CL-4-CKH
CL-10-CK		7/16	CL-4-TNS			
CL-11-CK		12mm	CL-5-TNS			
CL-12-CK		1/2	CL-6-TNS			
CL-26-CK	5/8-11	9/16 or 14mm	CL-18-TNS	CL-52-STC CL-54-STC CL-56-STC	CL-10-BS CL-20-BS CL-30-BS	CL-5-CKH
CL-13-CK		5/8 or 16mm	CL-7-TNS			
CL-14-CK		9/16 or 14mm	CL-8-TNS			
CL-22-CK		5/8 or 16mm	CL-15-TNS			
CL-15-CK	3/4-10	11/16 or 18mm	CL-9-TNS	CL-64-STC CL-66-STC CL-68-STC	CL-40-BS CL-50-BS CL-60-BS	CL-6-CKH
CL-16-CK		3/4	CL-10-TNS			
CL-23-CK		11/16 or 18mm	CL-16-TNS			
CL-17-CK		3/4	CL-11-TNS			
CL-18-CK	3/4-10	20mm	CL-12-TNS	CL-64-STC CL-66-STC CL-68-STC	CL-40-BS CL-50-BS CL-60-BS	CL-6-CKH
CL-19-CK		13/16	CL-13-TNS			

HEAVY BLOCKS (INCH)

PART NO.	STUD SIZE	TABLE SLOT SIZE	T-NUT & STUD SET (1)	STEP CLAMPS (2) EACH	STEP BLOCK PAIRS (2) EACH	HOLDER (1)
CL-10-CK	1/2-13	7/16	CL-4-TNS	CL-42-STC CL-44-STC CL-46-STC	CL-40-BS CL-50-BS CL-60-BS	CL-4-CKH
CL-11-CK		12mm	CL-5-TNS			
CL-12-CK		1/2	CL-6-TNS			
CL-26-CK		9/16 or 14mm	CL-18-TNS			
CL-13-CK	5/8-11	5/8 or 16mm	CL-7-TNS	CL-52-STC CL-54-STC CL-56-STC	CL-40-BS CL-50-BS CL-60-BS	CL-5-CKH
CL-14-CK		9/16 or 14mm	CL-8-TNS			
CL-22-CK		5/8 or 16mm	CL-15-TNS			
CL-15-CK		11/16 or 18mm	CL-9-TNS			
CL-16-CK	3/4-10	3/4	CL-10-TNS	CL-64-STC CL-66-STC CL-68-STC	CL-40-BS CL-50-BS CL-60-BS	CL-6-CKH
CL-23-CK		11/16 or 18mm	CL-16-TNS			
CL-17-CK		3/4	CL-11-TNS			
CL-18-CK		20mm	CL-12-TNS			
CL-19-CK	3/4-10	13/16	CL-13-TNS	CL-64-STC CL-66-STC CL-68-STC	CL-40-BS CL-50-BS CL-60-BS	CL-6-CKH

STANDARD BLOCKS (METRIC)

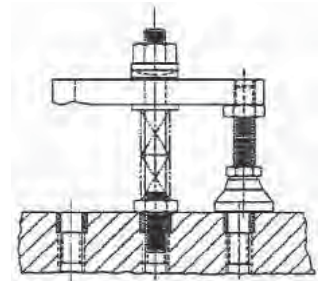
CLM-1-CK	M10	2mm	CLM-1-TNS	CL-32-STC CL-34-STC CL-36-STC	CL-10-BS CL-20-BS CL-30-BS	CL-1-CKMH
CLM-2-CK		1/2	CLM-2-TNS			
CLM-3-CK		9/16 or 14mm	CLM-3-TNS			
CLM-4-CK	M12	9/16 or 14mm	CLM-4-TNS	CL-42-STC CL-44-STC CL-46-STC	CL-10-BS CL-20-BS CL-30-BS	CL-2-CKMH
CLM-5-CK		5/8 or 16mm	CLM-5-TNS			
CLM-6-CK		11/16 or 18mm	CLM-6-TNS			
CLM-7-CK	M16	11/16 or 18mm	CLM-7-TNS	CL-52-STC CL-54-STC CL-56-STC	CL-10-BS CL-20-BS CL-30-BS	CL-3-CKMH
CLM-8-CK		20mm	CLM-8-TNS			
CLM-9-CK		13/16	CLM-9-TNS			

HEAVY BLOCKS (METRIC)

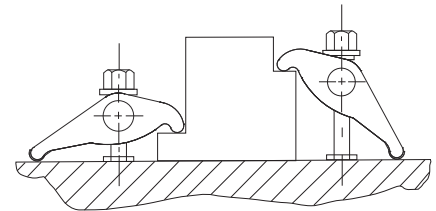
CLM-10-CK	M12	9/16 or 14mm	CLM-4-TNS	CL-42-STC CL-44-STC CL-46-STC	CL-40-BS CL-50-BS CL-60-BS	CL-4-CKH
CLM-11-CK		5/8 or 16mm	CLM-5-TNS			
CLM-12-CK		11/16 or 18mm	CLM-6-TNS			
CLM-13-CK	M16	11/16 or 18mm	CLM-7-TNS	CL-52-STC CL-54-STC CL-56-STC	CL-40-BS CL-50-BS CL-60-BS	CL-5-CKH
CLM-14-CK		20mm	CLM-8-TNS			
CLM-15-CK		13/16	CLM-9-TNS			
CLM-17-CK	M20	22mm	CLM-11-TNS	CL-64-STC CL-66-STC CL-68-STC	CL-40-BS CL-50-BS CL-60-BS	CL-6-CKH

DELUXE CLAMPING KITS

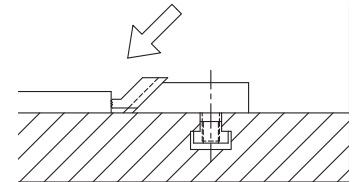
SEE CATALOG PAGE OF EACH COMPONENT FOR MATERIAL SPECIFICATIONS
 HOLDER: STEEL, ENAMEL PAINT



Clamp Strap Assemblies



Forged Adjustable Clamps



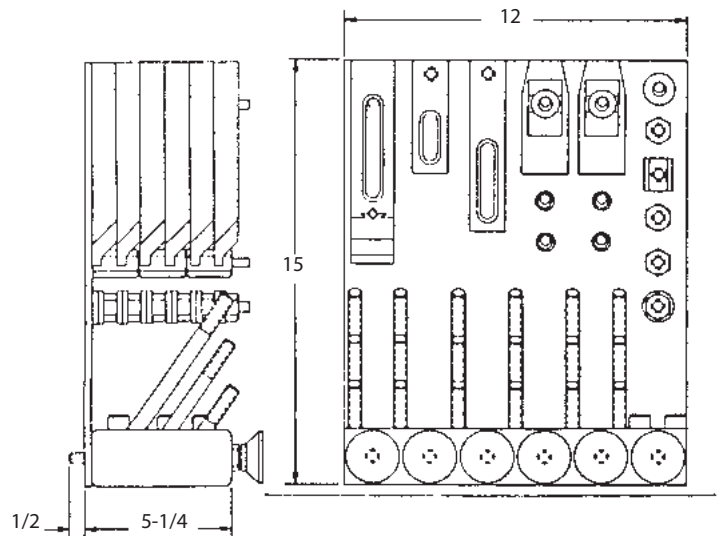
Serrated Edge Clamps

New, improved Clamping Kit with three different types of clamps. Safer and less cumbersome than sets using Step Blocks and Clamps. This 94-piece set includes:

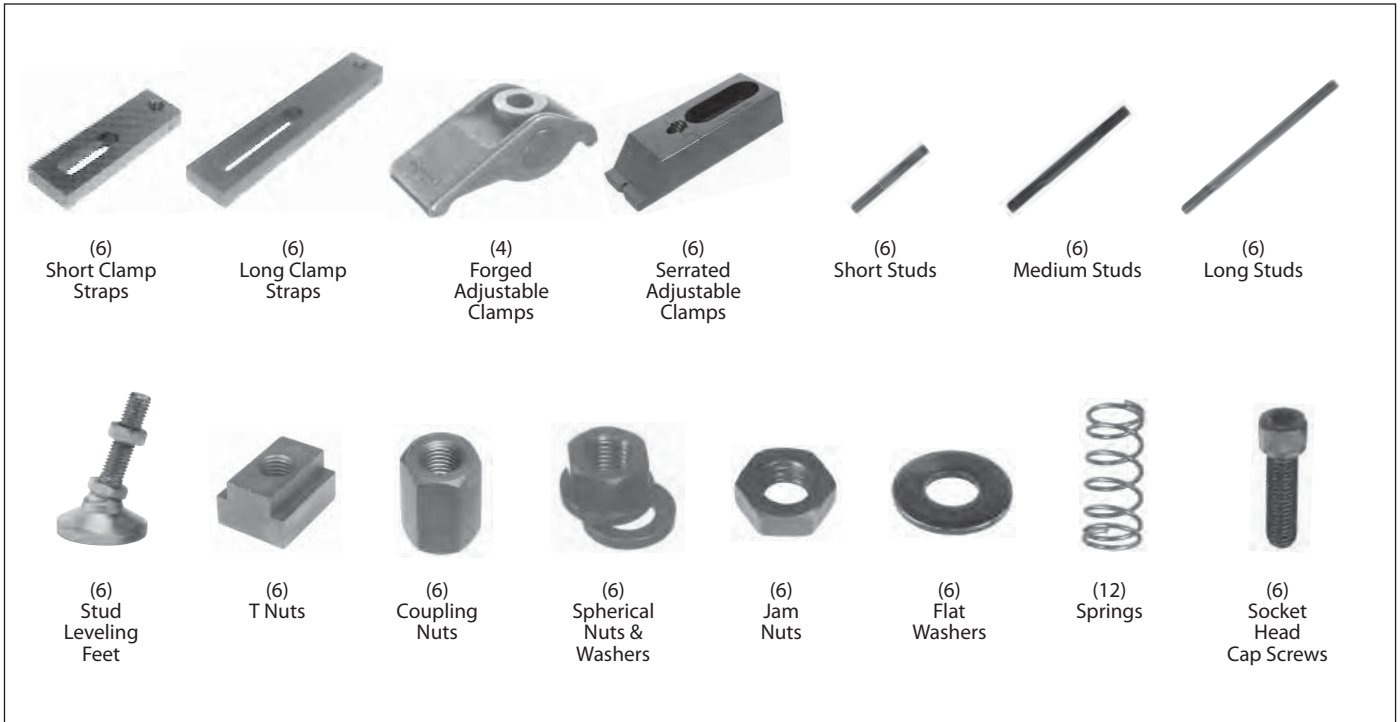
- (12) Tapped-Heel Clamp Straps, short and long
- (4) Forged Adjustable Clamps
- (6) Serrated Edge Clamps
- (6) Stud Leveling Feet
- (6) T Nuts
- (6) Short Clamping Studs
- (6) Medium Clamping Studs
- (6) Long Clamping Studs
- (6) Spherical Nuts & Washers
- (6) Coupling Nuts
- (6) Jam Nuts
- (6) Flat Washers
- (12) Clamp Springs
- (6) Socket-Head Cap Screws
- (1) Sturdy Steel Rack

Available to fit table-slot sizes from 7/16" to 13/16" (12mm to 20mm in metric), in thread sizes from 3/8"-16 to 5/8"-11 (M10 to M16 in metric).

The Stud Leveling Feet in these kits serve as the rear supports for Tapped-Heel Clamp Straps. These leveling feet are optionally available with Delrin pads to avoid marring the table when less clamping force is required, such as when used on coordinate measuring machines.



DELUXE CLAMPING KITS



INCH

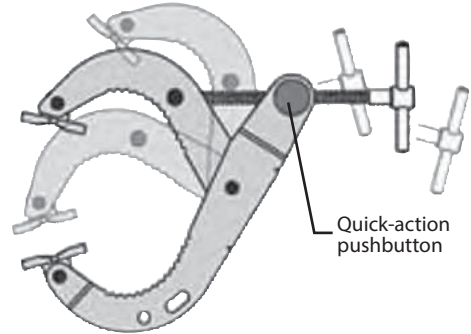
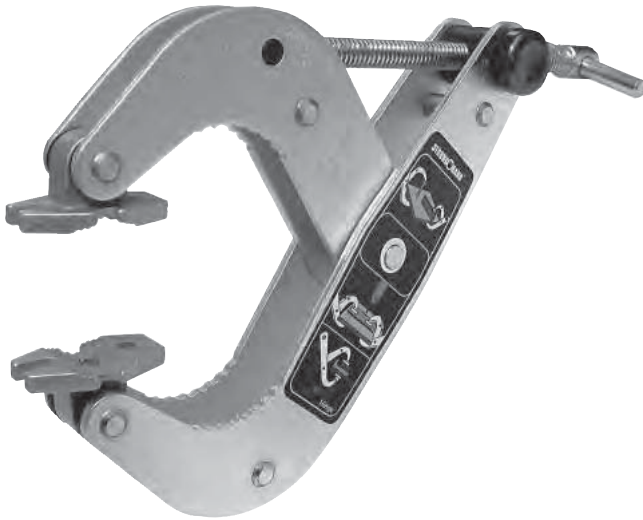
PART NO. STEEL PADS	PART NO. DELRIN® PADS	TABLE SLOT SIZE	STUD SIZE	CLAMP STRAPS (6 EACH)	FORGED ADJ. CLPS. (4)	SERR. ADJ. CLPS. (4)	STUDS (6 EACH)	LEVELING FEET (6)	T NUTS (6)	NUTS & WASHERS (6 EACH)	SPRINGS (12)	SOCKET-HEAD CAP SCREWS (6)
CL-1-DCK	CL-1-DCKN	7/16	3/8-16	CL-63-CS CL-67-CS	CL-6-FAC	CL-30-SAC	CL-3/8-16x3.00-STUD CL-3/8-16x5.00-STUD CL-3/8-16x7.00-STUD	CL-6-SLF-BO or CL-6-SLFN	CL-00-TN	CL-1-CN CL-2-SNW CL-6-JN CL-1-FW	CL-9-SPG	CL-3/8-16x1.25-SHCS
CL-20-DCK	CL-20-DCKN	12mm							CL-12-TN			
CL-2-DCK	CL-2-DCKN	1/2							CL-0-TN			
CL-3-DCK	CL-3-DCKN	9/16 or 14mm							CL-1-TN			
CL-24-DCK	CL-24-DCKN	5/8 or 16mm	1/2-13	CL-71-CS CL-75-CS	CL-8-FAC	CL-60-SAC	CL-1/2-13x4.00-STUD CL-1/2-13x6.00-STUD CL-1/2-13x8.00-STUD	CL-8-SLF-BO or CL-8-SLFN	CL-16-TN	CL-2-CN CL-3-SNW CL-8-JN CL-2-FW	CL-9-SPG	CL-1/2-13x1.50-SHCS
CL-4-DCK	CL-4-DCKN	9/16 or 14mm							CL-9-TN			
CL-5-DCK	CL-5-DCKN	5/8 or 16mm							CL-2-TN			
CL-6-DCK	CL-6-DCKN	11/16 or 18mm							CL-3-TN			
CL-7-DCK	CL-7-DCKN	3/4	5/8-11	CL-81-CS CL-85-CS	CL-10-FAC	CL-90-SAC	CL-5/8-11x4.00-STUD CL-5/8-11x6.00-STUD CL-5/8-11x8.00-STUD	CL-10-SLF-BO or CL-10-SLFN	CL-17-TN	CL-10-TN CL-4-SNW CL-10-JN CL-3-FW	CL-9-SPG	CL-5/8-11x1.50-SHCS
CL-27-DCK	CL-27-DCKN	11/16 or 18mm							CL-10-TN			
CL-8-DCK	CL-8-DCKN	3/4							CL-4-TN			
CL-21-DCK	CL-21-DCKN	20mm							CL-14-TN			
CL-9-DCK	CL-9-DCKN	13/16						CL-5-TN				

METRIC

CLM-1-DCK	CLM-1-DCKN	12mm	M10	CLM-63-CS CLM-67-CS	CL-6-FAC	CL-30-SAC	CLM-10x80-STUD CLM-10x125-STUD CLM-10x175-STUD	CLM-10-SLF-BO or CLM-10-SLFN	CLM-00-TN	CLM-10-CN CLM-10-SNW CLM-10-JN	CL-7-SPG	CLM-10x30-SHCS
CLM-2-DCK	CLM-2-DCKN	1/2							CLM-0-TN			
CLM-3-DCK	CLM-3-DCKN	9/16 or 14mm							CLM-1-TN			
CLM-4-DCK	CLM-4-DCKN	9/16 or 14mm	M12	CLM-71-CS CLM-75-CS	CL-8-FAC	CL-60-SAC	CLM-12x95-STUD CLM-12x150-STUD CLM-12x200-STUD	CLM-12-SLF-BO or CLM-12-SLFN	CLM-9-TN	CLM-12-CN CLM-12-SNW CLM-12-JN	CL-9-SPG	CLM-12x40-SHCS
CLM-5-DCK	CLM-5-DCKN	5/8 or 16mm							CLM-2-TN			
CLM-6-DCK	CLM-6-DCKN	11/16 or 18mm							CLM-3-TN			
CLM-7-DCK	CLM-7-DCKN	11/16 or 18mm	M16	CLM-81-CS CLM-85-CS	CL-10-FAC	CL-90-SAC	CLM-16x110-STUD CLM-16x150-STUD CLM-16x200-STUD	CLM-16-SLF-BO or CLM-16-SLFN	CLM-10-TN	CLM-16-CN CLM-16-SNW CLM-16-JN	CL-11-SPG	CLM-16x40-SHCS
CLM-8-DCK	CLM-8-DCKN	20mm							CLM-4-TN			
CLM-9-DCK	CLM-9-DCKN	13/16							CLM-5-TN			

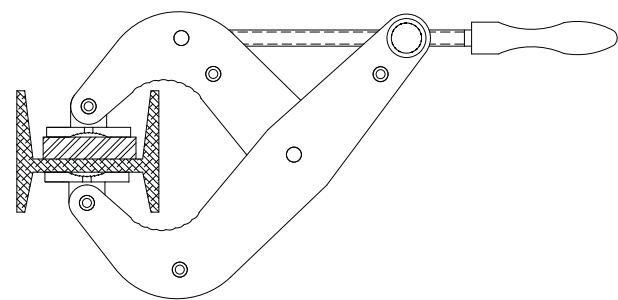
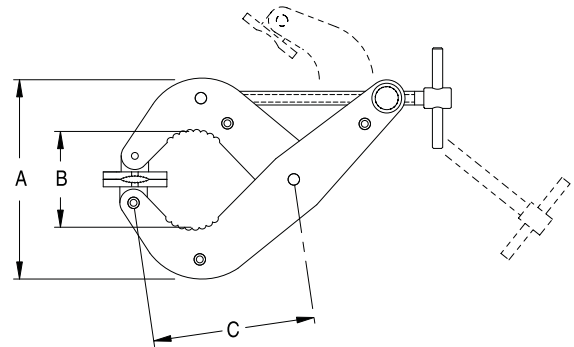
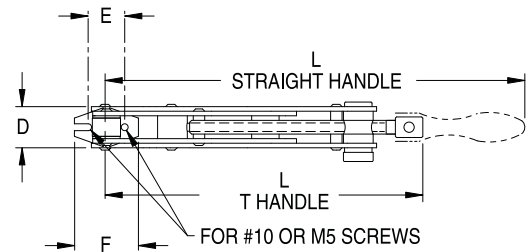
SHARK CLAMPS

BODY: STEEL, ZINC PLATED CLEAR CHROMATE
CLAMPING SCREW: STEEL, COPPER PLATED



Heavy-duty quick-acting jaw clamp. Simply press the side pushbutton to allow sliding the handle freely in and out. The clamping screw is copper plated to resist spatter in welding applications. The two pivoting contact pads have mounting holes to allow attaching custom clamping pads or for stationary mounting. Optional no-mar rubber pads are available separately. Choose either a T handle (for maximum tightening torque) or a screwdriver-type straight handle (for more comfortable handling). Available in two sizes. Patent no. 6,893,012.

To clamp, simply press the quick-action pushbutton to slide the handle forward, moving the jaws into clamping position, then release the button and turn the handle to apply clamping force. To unclamp, turn the handle to release clamping force, then press the pushbutton to slide the handle back.



Wide throat allows clamping over flanges.

PART NO.	MAX OPENING	HANDLE TYPE	A	B	C	D	E	F	L	MAXIMUM CLAMPING FORCE (LBS)	NO-MAR PADS (SET OF 4)
CL-500-SHRK	5	T	5.50	2.64	4.40	1.12	1.00	1.75	8.5	1000	CL-1-SHRK-P-SETOF4
CL-501-SHRK		STRAIGHT							12	200	
CL-650-SHRK	6-1/2	T	6.00	3.15	5.30	1.12	1.00	1.75	10.5	1000	
CL-651-SHRK		STRAIGHT							14	200	

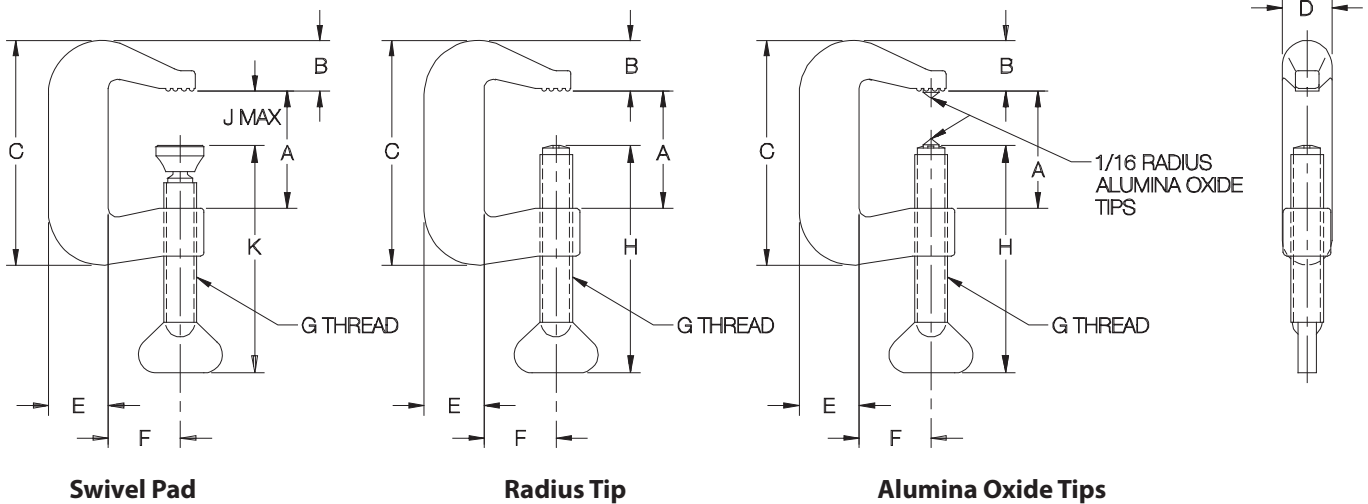
DURA CLAMP PLASTIC C CLAMPS

FIBERGLASS-REINFORCED THERMOPLASTIC



High-strength fiberglass-reinforced Plastic C Clamps, ideal for finishing operations and other corrosive environments. Also ideal wherever a lightweight C Clamp is required. Chemically inert and electrically non-conductive. Highly resistant to virtually all acid and alkali solutions, and boiling water (212° F maximum recommended continuous operating temperature, 290° F for intermittent operation). No stripping required after use. Large, comfortable thumbscrew for easy hand tightening. Available in four sizes.

Also available with alumina oxide (Al₂O₃) tips. Well suited for two-step anodizing processes. Dual tips allow rack mounting two parts back-to-back during finishing. These super-hard tips (1/16" radius) reduce contact area to a small point to minimize rack marks, yet still hold parts securely.



Swivel Pad

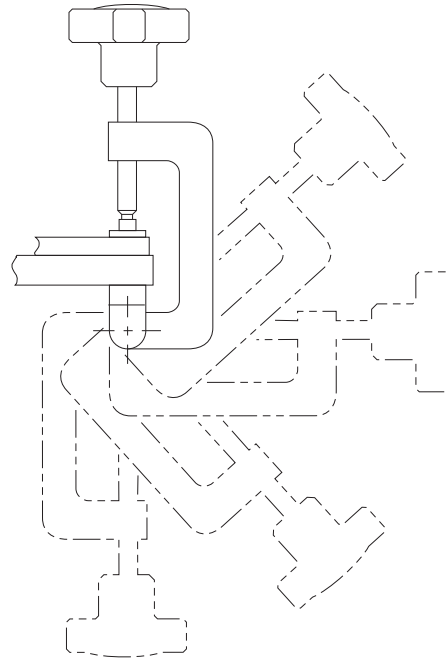
Radius Tip

Alumina Oxide Tips

PART NO. WITH SWIVEL PAD	PART NO. WITH RADIUS TIP	PART NO. WITH ALUMINA OXIDE TIPS	A	B	C	D	E	F	G	H	J	K	MAXIMUM TORQUE (IN-LBS)	MAXIMUM TORQUE (IN-LBS)
CL-318-DCS	CL-318-DC	CL-318-DC2T	1-3/16	3/4	2-3/4	13/16	29/32	25/32	9/16-12	2-13/16	3/4	3	125	.13
CL-476-DCS	CL-476-DC	CL-476-DC2T	1-13/16	1-1/8	3-15/16	1	1	1-3/16	5/8-12	3-13/16	1-3/8	4	160	.24
CL-635-DCS	CL-635-DC	—	2-3/8	1-1/4	4-27/32	1-1/16	1-1/4	1-1/2	11/16-11	4-3/4	1-7/8	4-3/4	250	.35
CL-1016-DCS	CL-1016-DC	—	3-7/8	1-3/8	6-13/16	1-1/4	1-1/2	1-3/4	13/16-10	6-1/4	3-3/8	6-1/4	350	.71

SWING C CLAMPS

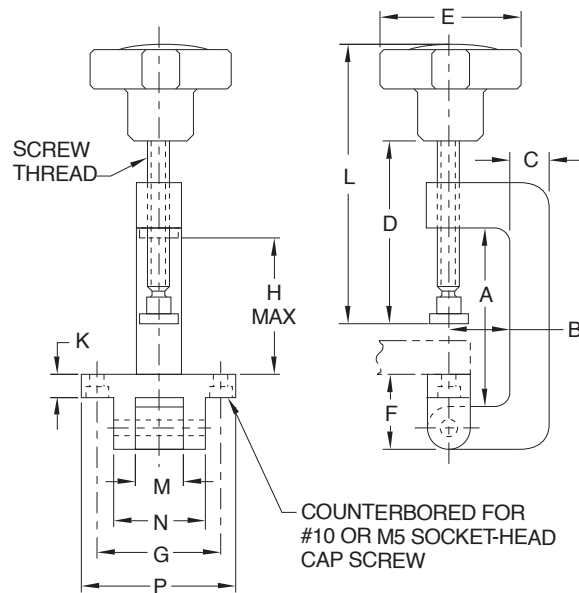
FRAME & MOUNTING PAD: MILD STEEL, ZINC PLATED CLEAR CHROMATE
 KNOB: 319 ALUMINUM ALLOY
 SCREW: 12L14 STEEL, NICKEL PLATED
 FOOT: 12L14 STEEL, ZINC PLATED YELLOW CHROMATE



7

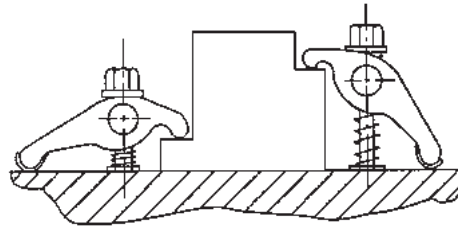
These unique C Clamps have a hinged pad for fastening permanently to a fixture, allowing them to swing clear for workpiece loading. The hinged mounting pad bolts to the fixture with two Socket-Head Cap Screws. Four-Prong Knob provides a firm grip for applications requiring quick tightening and high torque. Clamping screw is cast securely in the knob and has a removable swivel foot. Available in four sizes.

Swing C Clamps use our patented left-hand-thread swivel-foot system. The ball end of the body screws into the foot for easy installation and removal. Once the ball threads pass beyond the foot threads, the foot can rotate and pivot freely (20° total angle). Foot threads are left-hand to positively prevent accidental back out during use. For other foot types, including Delrin feet, see Feet for Swivel Screws (order separately).

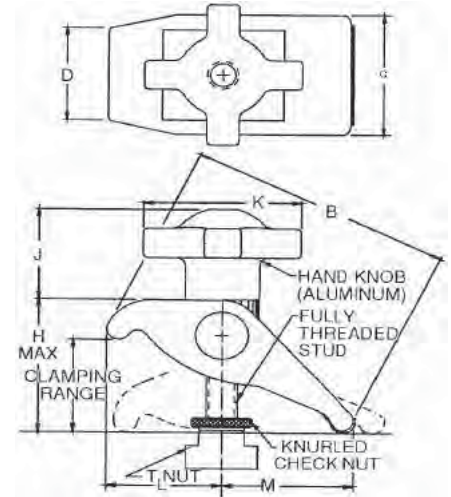


PART NO.	SCREW THREAD	A	B	C	D	E	F	G	H	K	L	M	N	P
CL-520-SCC	5/16-18	2	3/4	1/2	2-1/4	1-3/4	7/8	1-1/2	1-15/32	5/16	3-1/4	1/2	1	2
CL-525-SCC		2-1/2							1-31/32					
CL-625-SCC	3/8-16	2-1/2	1	5/8	2-13/16	2-1/8	1	1-3/4	1-15/16	5/16	4-1/16	5/8	1-1/4	2-1/4
CL-635-SCC		3-1/2							2-15/16					

FORGED ADJUSTABLE DRILL-PRESS CLAMPS



Handy hold-down clamp assembly that includes a Forged Adjustable Clamp, ideal for clamping on T-slotted drill presses and tapped drill-jig plates. This rugged forged steel pivot clamp provides instant height adjustment without blocks or shims. Removable brass heel protects machine table. Available with stud sizes from 5/16-18 to 1/2-13 (M8 to M12 in metric), fitting T-slots from 3/8 to 3/4 (10mm to 18mm in metric). **INFO+**: For additional sizes of Forged Adjustable Clamps, see page 236.



GENERAL DIMENSIONS

STUD SIZE	CLAMPING RANGE	B	C	D	H	J	K	L		M	
								MIN	MAX	MIN	MAX
5/16-18 or M8	0 to 1-3/4	3-1/4	1-1/4	7/8	2-1/8	1-3/8	2-1/8	1-1/16	1-1/4	1-3/4	2
3/8-16 or M10								1-1/16	1-1/4	1-3/4	2
1/2-13 or M12	0 to 2-1/16	4	1-5/8	1-1/8	2-5/8	1-5/8	2-1/2	1-3/8	1-9/16	2-1/8	2-7/16

ASSEMBLY COMPONENTS (INCH)

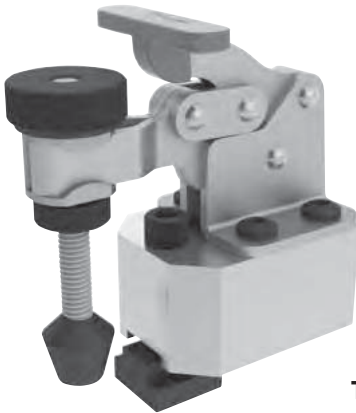
PART NO.	STUD SIZE	TABLE-SLOT SIZE	T NUT	FORGED ADJUSTABLE CLAMP	FULLY THREADED STUD	KNURLED CHECK NUT	HAND KNOB
CL-5-FACA-HKA	5/16-18	TAPPED	NONE	CL-6-FAC	CL-5/16-18x3.00-FTS	CL-51618-TSJN	CL-2-HK-4A
CL-5-FACA-HKA-19		3/8 or 10mm	CL-19-TN				
CL-5-FACA-HKA-20		7/16	CL-20-TN				
CL-5-FACA-HKA-21		1/2	CL-21-TN				
CL-6-FACA-HKA	3/8-16	TAPPED	NONE	CL-6-FAC	CL-3/8-16x3.00-FTS	CL-3816-TSJN	CL-3-HK-4A
CL-6-FACA-HKA-00		7/16	CL-00-TN				
CL-6-FACA-HKA-12		12mm	CL-12-TN				
CL-6-FACA-HKA-0		1/2	CL-0-TN				
CL-6-FACA-HKA-1		9/16 or 14mm	CL-1-TN				
CL-6-FACA-HKA-16	5/8 or 16mm	CL-16-TN					
CL-8-FACA-HKA	1/2-13	TAPPED	NONE	CL-8-FAC	CL-1/2-13x4.00-FTS	CL-1213-TSJN	CL-9-HK-9A
CL-8-FACA-HKA-9		9/16 or 14mm	CL-9-TN				
CL-8-FACA-HKA-2		5/8 or 16mm	CL-2-TN				
CL-8-FACA-HKA-3		11/16 or 18mm	CL-3-TN				
CL-8-FACA-HKA-17		3/4	CL-17-TN				

ASSEMBLY COMPONENTS (METRIC)

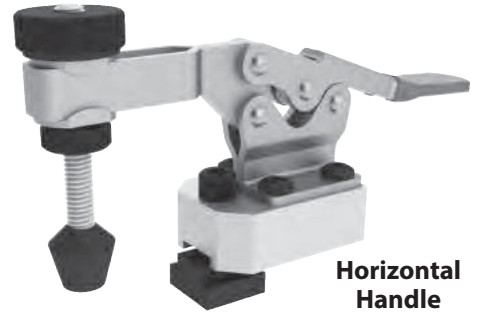
CLM-5-FACA-HKA	M8	TAPPED	NONE	CL-6-FAC	CLM-8x80-FTS	CLM-8-TSJN	CLM-2-HK-4A
CLM-5-FACA-HKA-19		3/8 or 10mm	CLM-19-TN				
CLM-6-FACA-HKA	M10	TAPPED	NONE	CL-6-FAC	CLM-10x80-FTS	CLM-10-TSJN	CLM-3-HK-4A
CLM-6-FACA-HKA-00		12mm	CLM-00-TN				
CLM-6-FACA-HKA-0		1/2	CLM-0-TN				
CLM-6-FACA-HKA-1		9/16 or 14mm	CLM-1-TN				
CLM-8-FACA-HKA	M12	TAPPED	NONE	CL-8-FAC	CLM-12x110-FTS	CLM-12-TSJN	CLM-9-HK-9A
CLM-8-FACA-HKA-9		9/16 or 14mm	CLM-9-TN				
CLM-8-FACA-HKA-2		5/8 or 16mm	CLM-2-TN				
CLM-8-FACA-HKA-3		11/16 or 18mm	CLM-3-TN				

DRILL-PRESS TOGGLE CLAMPS

DRILL-PRESS ADAPTOR: 6061 ALUMINUM
OTHER COMPONENTS: SEE CATALOG PAGE FOR EACH SPECIFIC ITEM

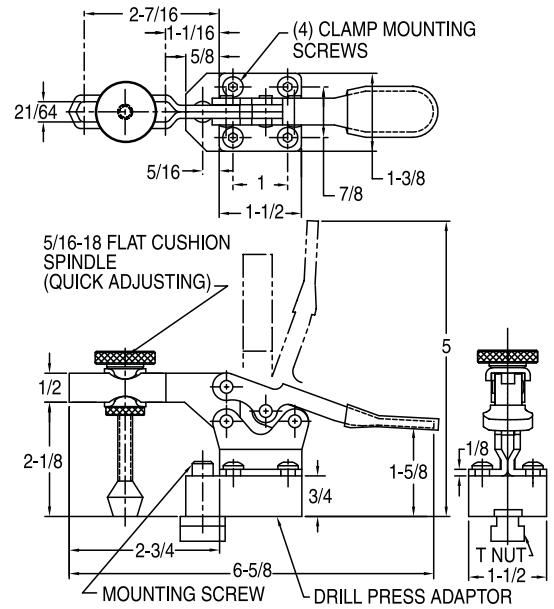
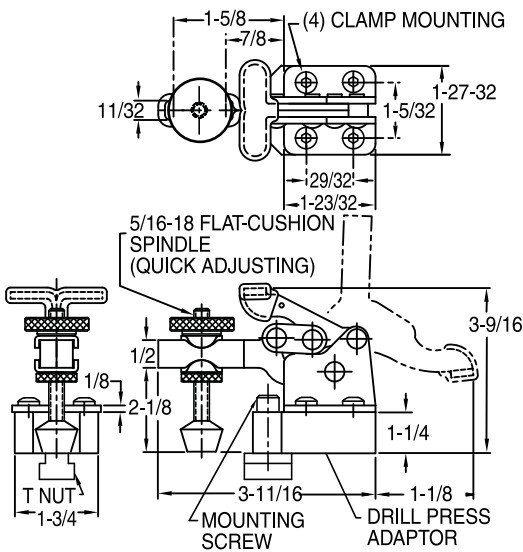


Vertical T Handle



Horizontal Handle

These hold-down Toggle Clamps are ideal for clamping on drill presses, with an adaptor base for slotted tables and a quick adjusting spindle. Choose either a compact, easy-opening vertical T handle, or a low-profile horizontal handle. Open arm provides adjustable spindle location. Supplied with two quick-adjusting Flat-Cushion Spindles, one short and one long. Choose T Nut size to fit table slots from 3/8 to 5/8" (10 to 16mm in metric).



VERTICAL T HANDLE (INCH)

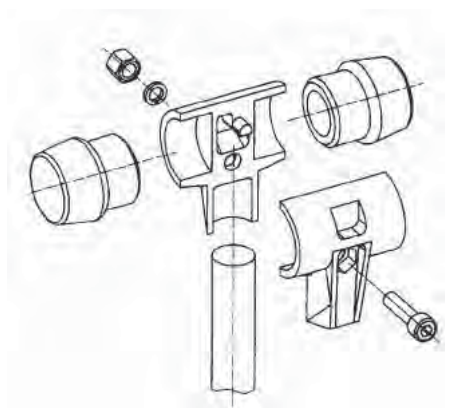
PART NO.	MOUNTING SCREW SIZE	TABLE-SLOT SIZE	T NUT	DRILL-PRESS ADAPTOR	MOUNTING SCREW	CLAMP MOUNTING SCREW(4)	QUICK-ADJUSTING SPINDLE	HOLDING CAPACITY (LBS)
CL-300-VTCD-5	5/16-18	TAPPED	NONE	CL-300-VTCA-6	CL-5/16-18x1.75-SHCS	CL-1/4-20x.50-BHCS	CL-516212-FCQA	350
CL-300-VTCD-5-19		3/8 or 10mm	CL-19-TN		CL-5/16-18x1.50-SHCS			
CL-300-VTCD-5-20		7/16	CL-20-TN		CL-3/8-16x1.75-SHCS			
CL-300-VTCD-5-21		1/2	CL-21-TN					
CL-300-VTCD-6	3/8-16	TAPPED	NONE		CL-5/16-18x1.50-SHCS			
CL-300-VTCD-6-00		7/16	CL-00-TN		CL-3/8-16x1.50-SHCS			
CL-300-VTCD-6-12		12mm	CL-12-TN					
CL-300-VTCD-6-0		1/2	CL-0-TN					
CL-300-VTCD-6-1		9/16 or 14mm	CL-1-TN					
CL-300-VTCD-6-16		5/8 or 16mm	CL-16-TN					

HORIZONTAL HANDLE (INCH)

CL-450-HTCD-5	5/16-18	TAPPED	NONE	CL-450-HTCA-6	CL-5/16-18x1.75-SHCS	CL-1/4-20x.50-BHCS	CL-516212-FCQA	500
CL-450-HTCD-5-19		3/8 or 10mm	CL-19-TN		CL-5/16-18x1.50-SHCS			
CL-450-HTCD-5-20		7/16	CL-20-TN		CL-3/8-16x1.75-SHCS			
CL-450-HTCD-5-21		1/2	CL-21-TN					
CL-450-HTCD-6	3/8-16	TAPPED	NONE		CL-5/16-18x1.50-SHCS			
CL-450-HTCD-6-00		7/16	CL-00-TN		CL-3/8-16x1.50-SHCS			
CL-450-HTCD-6-12		12mm	CL-12-TN					
CL-450-HTCD-6-0		1/2	CL-0-TN					
CL-450-HTCD-6-1		9/16 or 14mm	CL-1-TN					
CL-450-HTCD-6-16		5/8 or 16mm	CL-16-TN					

CARR LANE SIMPLEX HAMMERS

SEE COMPONENT PAGES FOR MATERIAL SPECIFICATIONS



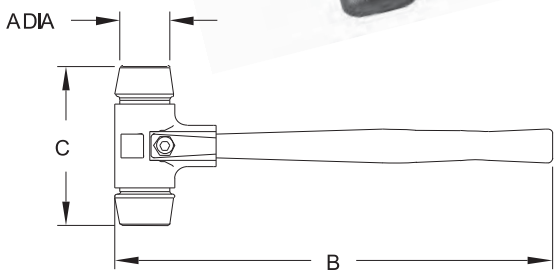
Design your own custom hammers. These soft-face mallets can be customized for specific applications by selecting the proper hammer inserts. Choose the same type of insert for both sides, or build a multi-purpose hammer with a different type of insert for each face. The Simplex system uses a patented hammer housing with 3-point clamping that ensures a safe hammer assembly.

Available in four sizes, with a choice of eight different insert materials:

- Type A Blue Thermoplastic (Soft)
- Type B Gray Thermoplastic (Medium Soft)
- Type C Black Rubber (Medium Soft)
- Type D White Superplastic (Medium Hard)
- Type E Red Plastic (Hard)
- Type F White Nylon (Hard)
- Type G Soft Metal (Hard)
- Type H Copper (Hard) Fiberglass Handle Only

To order a 30mm hammer with a wooden handle, one black rubber insert (C) and one white nylon insert (F) specify:
CL-30-SPH-W-CF

Observe all appropriate safety precautions. Always wear safety goggles when using a hammer or any striking tool. Bystanders must also wear safety goggles. Never strike the hammer with or against another striking tool, hardened nail, or any other hard object that could cause damage. Chipping could occur, resulting in possible eye or other injury. Discard any chipped or damaged hammer. If assembling the hammer yourself, ensure that all parts are properly fitted into the handle housing and that the screw is tightened to the specified torque. Check hammer before each use. Using a hammer with loose or improperly fitted parts could result in serious injury. Use only genuine Simplex replacement components.



SIMPLEX HAMMER ASSEMBLY — WOODEN HANDLE

PART NO.	A DIA	B	C	WEIGHT (LBS)
CL-30-SPH-W-xx	30mm (1.18)	11.81	3.54	0.7-0.9
CL-40-SPH-W-xx	40mm (1.57)	12.99	4.33	1.3-1.6
CL-50-SPH-W-xx	50mm (1.96)	13.78	5.32	2.4-3.0
CL-60-SPH-W-xx	60mm (2.36)	15.95	5.71	3.1-4.3

SIMPLEX HAMMER ASSEMBLY — FIBERGLASS HANDLE

CL-30-SPH-F-xx	30mm (1.18)	11.81	3.54	0.9-1.5
CL-40-SPH-F-xx	40mm (1.57)	12.99	4.33	1.8-3.1
CL-50-SPH-F-xx	50mm (1.96)	13.78	5.32	3.3-4.0
CL-60-SPH-F-xx	60mm (2.36)	15.95	5.71	3.5-5.5

CARR LANE SIMPLEX HAMMERS



Type A Inserts
Blue Thermoplastic
(Soft)

Blue thermoplastic inserts are soft and non-smudging. Applications include assembly operations, dent removal, woodworking, furniture assembly, window and door construction, joiner's work, and floor tiling. Hardness 60-70 Shore A.

PART NO.	HAMMER SIZE (FACE DIA)
CL-30-SPH-A	30mm (1.18)
CL-40-SPH-A	40mm (1.57)
CL-50-SPH-A	50mm (1.96)
CL-60-SPH-A	60mm (2.36)



Type B Inserts
Grey Thermoplastic
(Medium Soft)

Gray thermoplastic inserts are medium soft and non-smudging. Applications include assembly operations, car-body work, woodworking, furniture assembly, window and door construction, joiner's work, floor tiling, paving, and interior construction. Hardness 85-95 Shore A.

PART NO.	HAMMER SIZE (FACE DIA)
CL-30-SPH-B	30mm (1.18)
CL-40-SPH-B	40mm (1.57)
CL-50-SPH-B	50mm (1.96)
CL-60-SPH-B	60mm (2.36)



Type C Inserts
Black Rubber
(Medium Soft)

Black Rubber inserts are medium soft. Applications include assembly operations, dent removal, prefabricated housing construction, carpenter's work, paving, masonry work, concrete-form setup, scaffold construction, gardening, landscaping, and interior construction. Hardness 90-100 Shore A.

PART NO.	HAMMER SIZE (FACE DIA)
CL-30-SPH-C	30mm (1.18)
CL-40-SPH-C	40mm (1.57)
CL-50-SPH-C	50mm (1.96)
CL-60-SPH-C	60mm (2.36)



Type D Inserts
White Superplastic
(Medium Hard)

White superplastic inserts (UHMW polyethylene) are medium hard, durable, impact resistant, acid and lye resistant, grease and oil resistant, and ideal for striking sharp edges. Applications include assembly operations, automotive assembly and repair work, repair and maintenance work, car body work, sheet metal working, dent removal, assembly of sharp-edged workpieces, paving, masonry work, scaffold construction, gardening, and landscaping. Hardness 60-70 Shore D.

PART NO.	HAMMER SIZE (FACE DIA)
CL-30-SPH-D	30mm (1.18)
CL-40-SPH-D	40mm (1.57)
CL-50-SPH-D	50mm (1.96)
CL-60-SPH-D	60mm (2.36)



Type E Inserts
Red Plastic
(Hard)

Red plastic inserts (cellulose acetate) are hard, semi-transparent, and grease and oil resistant. Applications include automotive assembly and repair work, sheet metal working, dent removal, concrete-form setup, and scaffold construction. Hardness 65-75 Shore D.

PART NO.	HAMMER SIZE (FACE DIA)
CL-30-SPH-E	30mm (1.18)
CL-40-SPH-E	40mm (1.57)
CL-50-SPH-E	50mm (1.96)
CL-60-SPH-E	60mm (2.36)



Type F Inserts
White Nylon
(Hard)

White nylon inserts are hard, grease and oil resistant, highly elastic, and have superior strike effectiveness. Applications include assembly operations, metalworking, tooling, automotive assembly and repair work, joining of workpieces, sheet metal working, dent removal, mold construction, assembly of sharp-edged workpieces, and scaffold construction. Hardness 68-78 Shore D.

PART NO.	HAMMER SIZE (FACE DIA)
CL-30-SPH-F	30mm (1.18)
CL-40-SPH-F	40mm (1.57)
CL-50-SPH-F	50mm (1.96)
CL-60-SPH-F	60mm (2.36)



Type G Inserts
Soft Metal
(Hard)

Soft metal inserts are made of an aluminum-copper alloy which is hard and resistant to heat. Excellent alternative to old-fashioned lead hammers, to eliminate the risk of lead contamination. Applications include metalworking, tooling, automotive assembly and repair work, straightening work, car body work, and mold construction.

PART NO.	HAMMER SIZE (FACE DIA)
CL-30-SPH-G	30mm (1.18)
CL-40-SPH-G	40mm (1.57)
CL-50-SPH-G	50mm (1.96)
CL-60-SPH-G	60mm (2.36)



Type H Inserts
Copper
(Hard)

Copper inserts are hard and provide maximum impact. Plastic socket provides for secure mounting of the copper insert in the hammer. Applications include machine construction, automotive assembly and repair work, repair and maintenance work, and vehicle service stations.

PART NO.	HAMMER SIZE (FACE DIA)
CL-30-SPH-H	30mm (1.18)
CL-40-SPH-H	40mm (1.57)

CARR LANE SIMPLEX HAMMERS

HOUSINGS: CAST IRON, FURNISHED WITH SOCKET-HEAD CAP SCREW, SPRING WASHER, AND NUT
 HANDLES: EUROPEAN BLACK LOCUST WOOD, OR FIBERGLASS WITH ERGONOMIC RUBBER GRIP



Rugged cast iron housing (red), furnished with a high-strength Socket-Head Cap Screw, spring washer, and nut. Premium quality hardwood handle. Use wooden handles only with red housings.



HOUSING & HANDLE — WOODEN HANDLE

HOUSING PART NO.	HANDLE PART NO.	HAMMER SIZE (FACE DIA)	TIGHTENING TORQUE (FT-LBS)	
			PLASTIC INSERTS	METAL INSERTS
CL-30-SPH-HWH	CL-30-SPH-WH	30mm (1.18)	11	15
CL-40-SPH-HWH	CL-40-SPH-WH	40mm (1.57)	18	30
CL-50-SPH-HWH	CL-50-SPH-WH	50mm (1.96)	22	37
CL-60-SPH-HWH	CL-60-SPH-WH	60mm (2.36)	30	48

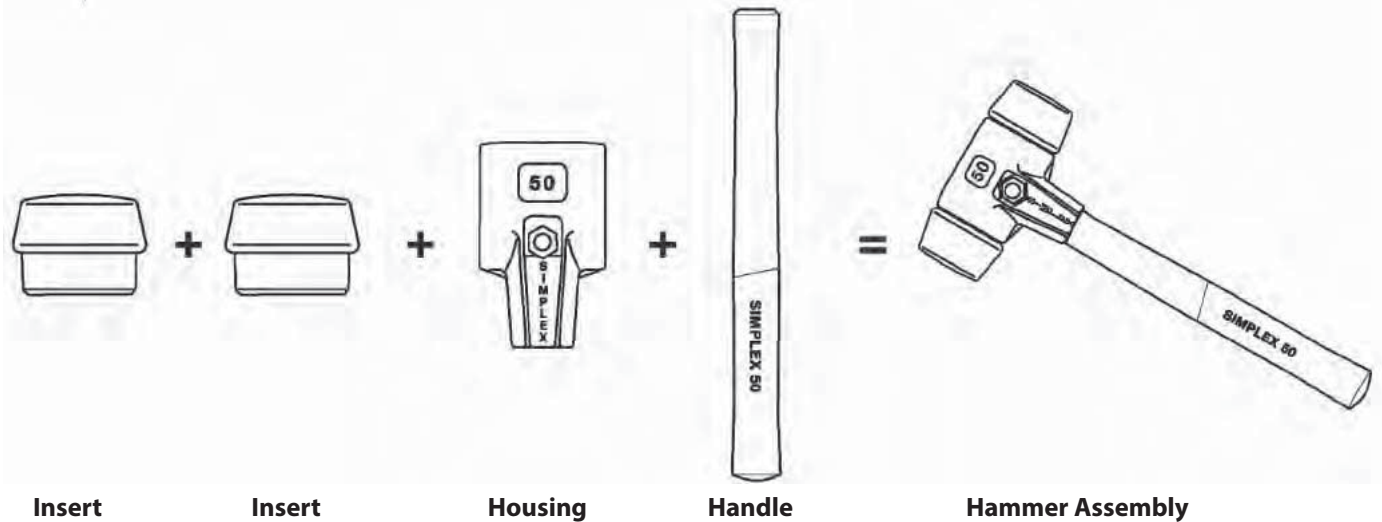


Heavy-duty cast iron housing (black), reinforced for use with a fiberglass handle, furnished with a high-strength Socket-Head Cap Screw, spring washer, and nut. High-strength fiberglass handle with an ergonomic rubber grip. Use fiberglass handles only with black housings.



HOUSING & HANDLE — FIBERGLASS HANDLE

HOUSING PART NO.	HANDLE PART NO.	HAMMER SIZE (FACE DIA)	TIGHTENING TORQUE (FT-LBS)	
			PLASTIC INSERTS	METAL INSERTS
CL-30-SPH-HFH	CL-30-SPH-FH	30mm (1.18)	18	30
CL-40-SPH-HFH	CL-40-SPH-FH	40mm (1.57)	22	44
CL-50-SPH-HFH	CL-50-SPH-FH	50mm (1.96)	30	52
CL-60-SPH-HFH	CL-60-SPH-FH	60mm (2.36)	44	59

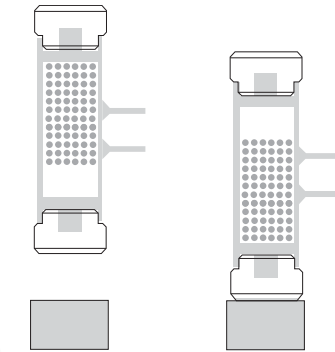


NO-REBOUND HAMMERS

HOUSINGS: STEEL ASSEMBLY CONTAINING STEEL PELLETS. HANDLE: HICKORY WOOD.
 INSERTS: NYLON, NATURAL WHITE COLOR, HARDNESS 68-78 SHORE D



**Supercraft
Hammers
(Wooden Handle)**



No-Rebound Hammers are filled with special steel pellets that transfer momentum to the impact point.

No-Rebound Hammers deliver full impact, about 50% greater than a standard hammer. The housing is filled with special steel pellets that transfer momentum to the impact point. Ideal for assembling machine parts without damage. Speeds up work while reducing fatigue. Allows better hammer control by absorbing the bounce. Hickory-wood handle. Available in five standard sizes, plus two sledgehammer sizes.

Supercraft No-Rebound Hammers have replaceable nylon inserts. These nylon inserts are hard, grease and oil resistant, highly elastic, and have superior strike effectiveness. Applications include assembly operations, metalworking, tooling, positioning of workpieces, automotive assembly and repair work, joining of workpieces, sheet metal working, dent removal, mold construction, assembly of sharp-edged workpieces, and scaffold construction.

Observe all appropriate safety precautions. Never allow the hammer's striking faces to wear down to the point where the hammer housing makes contact with the work surface, as irreparable damage could result. Always wear safety goggles when using a hammer or any striking tool. Bystanders must also wear safety goggles. Never strike the hammer with or against another striking tool, hardened nail, or any other hard object that could cause damage. Chipping could occur, resulting in possible eye or other injury. Discard any chipped or damaged hammer.

SUPERCRAFT HAMMERS — WOODEN HANDLE

PART NO.	FACE DIA	WEIGHT (LBS)	OVERALL LENGTH	HEAD LENGTH	REPLACEMENT INSERT (2 REQUIRED)
CL-3366-020-NRH	20mm (.78)	0.5	11.77	4.12	CL-3508-020-NRHI
CL-3366-030-NRH	30mm (1.18)	0.7	12.95	4.32	CL-3508-030-NRHI
CL-3366-040-NRH	40mm (1.57)	1.6	14.13	4.51	CL-3508-040-NRHI
CL-3366-050-NRH	50mm (1.96)	2.2	14.52	4.71	CL-3508-050-NRHI
CL-3366-060-NRH	60mm (2.36)	3.8	14.52	5.69	CL-3508-060-NRHI



**Supercraft
Sledgehammers
(Wooden Handle)**

SUPERCRAFT SLEDGEHAMMERS — WOODEN HANDLE

PART NO.	FACE DIA	WEIGHT (LBS)	OVERALL LENGTH	HEAD LENGTH	REPLACEMENT INSERT (2 REQUIRED)
CL-3366-081-NRH	80mm (3.14)	9	34.5	7.85	CL-3508-080-NRHI
CL-3366-107-NRH	100mm (3.93)	15	39.2	8.24	CL-3508-100-NRHI

NO-REBOUND HAMMERS

HOUSING & HANDLE: STEEL ASSEMBLY CONTAINING STEEL PELLETS
 SUPERCRAFT INSERTS: NYLON, NATURAL WHITE COLOR, HARDNESS 68-78 SHORE D
 SECURAL INSERTS: POLYURETHANE, YELLOW



**Supercraft
Hammers
(Steel Handle)**

**Secural
Narrow Hammers
(Steel Handle)**

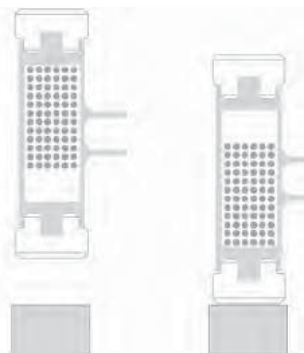
No-Rebound Hammers deliver full impact, about 50% greater than a standard hammer. The housing is filled with special steel pellets that transfer momentum to the impact point. Ideal for assembling machine parts without damage. Speeds up work while reducing fatigue. Allows better hammer control by absorbing the bounce. Steel handle with ergonomic rubber grip.

Supercraft No-Rebound Hammers are available in four sizes. Supercraft Hammers have replaceable nylon inserts. These nylon inserts are hard, grease and oil resistant, highly elastic, and have superior strike effectiveness.

Secural Narrow No-Rebound Hammers have a narrow, rectangular head that allows hammering in tight spots, and also makes storage easier in toolbox drawers. Available in one size, with a 30mm x 40mm face. Secural Narrow Hammers have replaceable polyurethane inserts. These inserts are medium soft.

Observe all appropriate safety precautions. Never allow the hammer's striking faces to wear down to the point where the hammer housing makes contact with the work surface, as irreparable damage could result. Always wear safety goggles when using a hammer or any striking tool. Bystanders must also wear safety goggles. Never strike the hammer with or against another striking tool, hardened nail, or any other hard object that could cause damage. Chipping could occur, resulting in possible eye or other injury. Discard any chipped or damaged hammer.

7



No-Rebound Hammers are filled with special steel pellets that transfer momentum to the impact point.

SUPERCRAFT HAMMERS — STEEL HANDLE

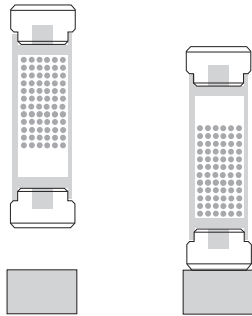
PART NO.	FACE DIA	WEIGHT (LBS)	OVERALL LENGTH	HEAD LENGTH	REPLACEMENT INSERT (2 REQUIRED)
CL-3377-030-NRH	30mm (1.18)	1.3	11.38	4.32	CL-3508-030-NRHI
CL-3377-040-NRH	40mm (1.57)	1.9	11.77	4.51	CL-3508-040-NRHI
CL-3377-050-NRH	50mm (1.96)	2.6	12.17	4.71	CL-3508-050-NRHI
CL-3377-060-NRH	60mm (2.36)	3.9	12.76	5.69	CL-3508-060-NRHI

SECURAL NARROW HAMMERS — STEEL HANDLE

PART NO.	FACE DIMENSIONS (RECTANGULAR)	WEIGHT (LBS)	OVERALL LENGTH	HEAD LENGTH	REPLACEMENT INSERT (2 REQUIRED)
CL-3380-040-NRH	30mm x 40mm (1.18 x 1.57)	1.6	11.77	4.59	CL-3511-040-NRHI

NO-REBOUND DROP HAMMERS

HOUSING: STEEL ASSEMBLY CONTAINING STEEL PELLETS
 INSERTS: NYLON, NATURAL WHITE COLOR, HARDNESS 68-78 SHORE D



No-Rebound Drop Hammers are filled with special steel pellets that transfer momentum to the impact point.

No-Rebound Drop Hammers provide the impact of a normal hammer even when access is restricted. No-Rebound Hammers deliver full impact, about 50% greater than a standard hammer. The housing is filled with special steel pellets that transfer momentum to the impact point. Ideal for assembling machine parts without damage. Speeds up work while reducing fatigue. Allows better hammer control by absorbing the bounce. Available in four sizes.

No-Rebound Drop Hammers have replaceable nylon inserts. These nylon inserts are hard, grease and oil resistant, highly elastic, and have superior strike effectiveness. Applications include assembly operations, metalworking, tooling, positioning of workpieces, automotive assembly and repair work, joining of workpieces, sheet metal working, dent removal, mold construction, and assembly of sharp-edged workpieces.

PART NO.	FACE DIA	WEIGHT (LBS)	LENGTH	REPLACEMENT INSERT (2 REQUIRED)
CL-3408-020-NRH	20mm (.78)	0.5	5.89	CL-3508-020-NRHI
CL-3408-030-NRH	30mm (1.18)	1.0	6.08	CL-3508-030-NRHI
CL-3408-040-NRH	40mm (1.57)	1.8	6.28	CL-3508-040-NRHI
CL-3408-050-NRH	50mm (1.96)	2.8	6.48	CL-3508-050-NRHI

SOFT-FACE PUNCHES

HOUSING: STEEL. INSERTS: NYLON, NATURAL WHITE COLOR, HARDNESS 68-78 SHORE D



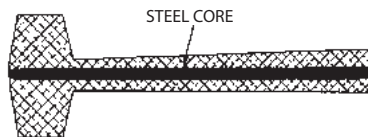
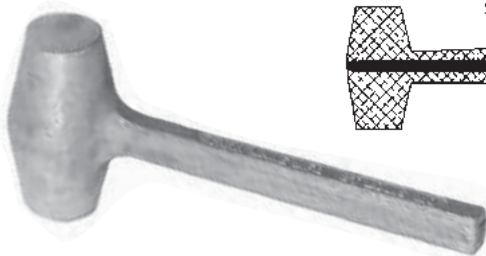
Soft-Face Punches safely extend the reach of a hammer when access is restricted. Transfers impact to difficult-to-reach places. Available in two sizes.

Soft-Face Punches have replaceable nylon inserts. These nylon inserts are hard, grease and oil resistant, highly elastic, and have superior strike effectiveness. Applications include assembly operations, metalworking, tooling, automotive assembly and repair work, joining of workpieces, sheet metal working, dent removal, and assembly of sharp-edged workpieces.

PART NO.	FACE DIA	WEIGHT (LBS)	LENGTH	REPLACEMENT INSERT (2 REQUIRED)
CL-3408-010-SFP	10mm (.39)	0.2	6.59	CL-3508-010-NRHI
CL-3408-015-SFP	15mm (.59)	0.4	6.87	CL-3508-015-NRHI

NO-MAR HAMMERS

ALUMINUM ALLOY WITH STEEL CORE



Economical aluminum alloy hammer. Excellent alternative to old-fashioned lead hammers, to eliminate the risk of lead contamination. One-piece cast construction with a steel core for extra strength. Applications include metalworking, tooling, automotive assembly and repair work, straightening work, car body work, and mold construction. Available in two sizes.

PART NO.	WEIGHT	FACE DIA	HANDLE LENGTH TO CENTERLINE OF FACE
CL-1-NMH	2 lb	1-1/2	10-1/2
CL-2-NMH	3.5 lb	2	11

THREADED INSERTS



Key Inserts – Heavy Duty



Key Inserts – Thinwall



Key Inserts – Solid

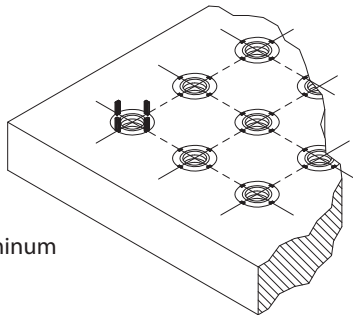


Key-Insert Installation Tools



Key-Insert Assortments

KEY INSERTS

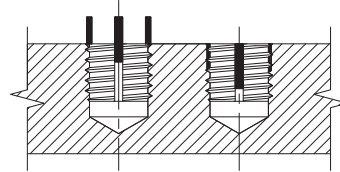


Key Inserts are often used to reinforce tapped holes in aluminum tooling plates.

These key-locking threaded inserts are ideal for thread reinforcement, especially when the mating stud or bolt will be removed frequently. They provide strong, permanent steel threads in any parent material — ferrous, non-ferrous, or non-metallic.

Key Inserts are also well suited for quick repair of stripped, damaged, or worn threads. A solid version is also available to use as a handy plug to relocate holes drilled or tapped on the wrong location.

Install with standard drills and taps. Important: Use tap drill specified in table (slightly larger than standard for that thread size). Tap-drill hole tolerance should be $-.001/+0.004$ ($-.001/+0.005$ above .500 dia).

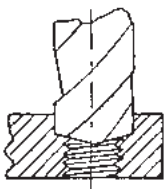


Locking keys are driven down into the parent material during installation, providing a positive mechanical lock against rotation. Inserts with an ID thread 5/16 and above have four locking keys, smaller sizes have two. Pull-out strength can be calculated approximately by the following formula:

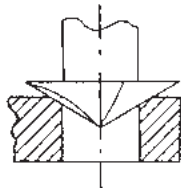
$$\text{Approximate pull-out strength} = \text{Shear engagement area of insert (see table)} \times \text{Minimum ultimate shear strength of parent material (psi)}$$

8

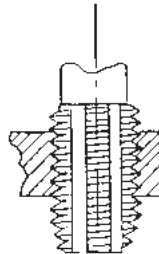
EASY INSTALLATION



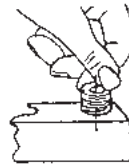
1. Drill out old threads using tap drill specified in table (Important: Correct tap drill is slightly larger than standard for that thread size).



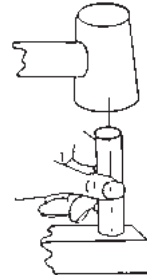
2. Countersink to diameter shown in table.



3. Tap new threads, using standard tap.

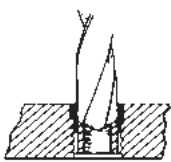


4. Screw in insert until body is slightly (.010 to .030 inches) below the surface, by hand or using installation tool. Keys act as a depth stop.

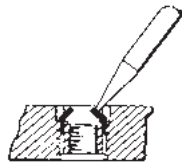


5. Drive keys down with several light hammer taps on installation tool (or directly on keys if no installation tool is available).

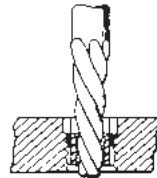
EASY REMOVAL



1. Drill out locking keys with specified drill diameter and depth (see table).



2. Deflect keys inward and break off.



3. Remove insert with an E-Z OUT type tool.



4. Screw replacement into original holes. Parent material is totally undamaged.

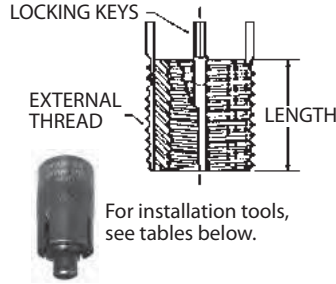
KEY INSERTS – HEAVY DUTY

BODY: 1215 STEEL, BLACK OXIDE FINISH. KEYS: 302 STAINLESS STEEL



Heavy Duty – Steel

General-purpose threaded inserts suitable for most applications. Available in USA ID-thread sizes from #10-24 to 1-1/2"-12, plus metric sizes from M5 to M24. Important: Use tap drill specified in table (slightly larger than standard for that thread size).



For installation tools, see tables below.



Repair Kits shown below contain an installation tool and several Key Inserts of a given size.

HEAVY DUTY – STEEL (INCH)

PART NO.	INSERT DIMENSIONS				INSTALLATION DATA							REMOVAL DATA	
	INTERNAL THREAD	EXTERNAL THREAD	LENGTH	SHEAR ENGAG. (SQ. IN.)	REQ'D TAP DRILL	C'SINK DIA	MIN. THREAD DEPTH	STANDARD TAP UN-2B	INSTALLATION TOOL PART NO.	REPAIR KIT PART NO.	INSERTS PER KIT	DRILL SIZE	DRILL DEPTH
CL-1024-KS	#10-24	3/8-16	.31	.190	Q	3/8	3/8	3/8-16	CL-10-KST	CL-1024-KSK	15	9/32	1/8
CL-1032-KS	#10-32									CL-1032-KSK			
CL-1420-KS	1/4-20	7/16-14	.37	.284	X	7/16	7/16	7/16-14	CL-14-KST	CL-1420-KSK	13	11/32	3/16
CL-1428-KS	1/4-28									CL-1428-KSK			
CL-51618-KS	5/16-18	1/2-13	.43	.359	29/64	1/2	1/2	1/2-13	CL-516-KST	CL-51618-KSK	8	13/32	3/16
CL-51624-KS	5/16-24									CL-51624-KSK			
CL-3816-KS	3/8-16	9/16-12	.50	.498	33/64	9/16	9/16	9/16-12	CL-38-KST	CL-3816-KSK	6	15/32	3/16
CL-3824-KS	3/8-24									CL-3824-KSK			
CL-71614-KS	7/16-14	5/8-11	.62	.717	37/64	5/8	11/16	5/8-11	CL-716-KST	CL-71614-KSK	6	17/32	3/16
CL-71620-KS	7/16-20									CL-71620-KSK			
CL-1213-KS	1/2-13	3/4-16	.62	1.057	45/64	3/4	11/16	3/4-16	CL-12-KST	CL-1213-KSK	5	21/32	3/16
CL-1220-KS	1/2-20									CL-1220-KSK			
CL-91612-KS	9/16-12	3/4-16	.81	1.057	45/64	3/4	7/8	3/4-16	CL-12-KST	CL-91612-KSK	3	21/32	3/16
CL-91618-KS	9/16-18									CL-91618-KSK			
CL-5811-KS	5/8-11	7/8-14	.87	1.487	53/64	7/8	1	7/8-14	CL-58-KST	CL-5811-KSK	2	25/32	3/16
CL-5818-KS	5/8-18									CL-5818-KSK			
CL-3410-KS	3/4-10	1-1/8"-12	1.12	2.490	1-1/16	1-1/8	1-5/16	1-1/8"-12	CL-34-KST	CL-3410-KSK	2	31/32	5/16
CL-3416-KS	3/4-16									CL-3416-KSK			
CL-789-KS	7/8-9	1-1/4"-12	1.25	3.137	1-3/16	1-1/4	1-7/16	1-1/4"-12	CL-34-KST	CL-789-KSK	2	1-3/32	5/16
CL-7814-KS	7/8-14									CL-7814-KSK			
CL-18-KS	1"-8	1-3/8"-12	1.37	3.838	1-5/16	1-3/8	1-9/16	1-3/8"-12	CL-1-KST	CL-18-KSK	2	1-7/32	5/16
CL-112-KS	1"-12									CL-112-KSK			
CL-1187-KS	1-1/8"-7	1-1/2"-12	1.62	4.752	1-7/16	1-1/2	1-11/16	1-1/2"-12	CL-118-KST	CL-1187-KSK	2	1-11/32	5/16
CL-11812-KS	1-1/8"-12									CL-11812-KSK			
CL-1147-KS	1-1/4"-7	1-5/8"-12	1.81	5.446	1-35/64	1-5/8	2	1-5/8"-12	CL-114-KST	CL-1147-KSK	2	1-15/32	5/16
CL-11412-KS	1-1/4"-12									CL-11412-KSK			
CL-1126-KS	1-1/2"-6	1-7/8"-12	2.00	7.103	1-51/64	1-7/8	2-3/16	1-7/8"-12	CL-112-KST	CL-1126-KSK	2	1-23/32	5/16
CL-11212-KS	1-1/2"-12									CL-11212-KSK			

HEAVY DUTY – STEEL (METRIC)

-	M5	M10x1.25	INFO+: AVAILABLE IN STAINLESS STEEL ONLY (PAGE 318)																					
-	M6	M12x1.25																						
-	M8	M14x1.5																						
-	M8x1																							
-	M10	M16x1.5																						
-	M10x1.25																							
-	M12	M18x1.5																						
-	M12x1.25																							
CLM-162-KSM	M16	M22x1.5												.87	1.390	20.5 or 13/16	.88	.96	M22x1.5	CL-58-KST	CLM-162-KSK	2	17.5mm or 11/16	1/4
CLM-1615-KSM	M16x1.5	M30x2												1.18	2.750	28mm or 1-7/64	1.19	1.36	M30x2	CL-34-KST	CLM-1615-KSK	2	26mm or 1-1/32	1/4
CLM-2025-KSM	M20		CLM-2025-KSK																					
CLM-2015-KSM	M20x1.5	M33x2	1.30	3.328	31mm or 1-7/32	1.31	1.48	M33x2	CLM-243-KSMT	CLM-2015-KSK	2	29mm or 1-9/64	1/4											
CLM-243-KSM	M24									CLM-243-KSK														
CLM-242-KSM	M24x2									CLM-242-KSK														

* Installation Tool included in Repair Kit.

KEY INSERTS – HEAVY DUTY

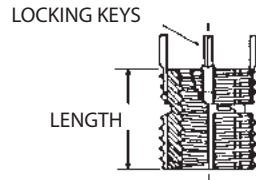
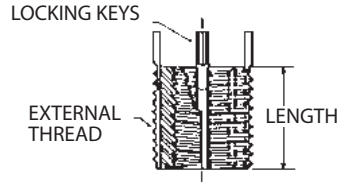
BODY: 303 STAINLESS STEEL. KEYS: 302 STAINLESS STEEL



**Heavy Duty –
Stainless Steel**



**Heavy Duty –
Stainless Steel
Internal-Thread
Locking**



Stainless steel version of our general-purpose threaded inserts with a thick, heavy-duty thread wall. Key Inserts are ideal for thread reinforcement, especially when the mating stud or bolt will be removed frequently. These stainless inserts provide strong, permanent stainless steel threads in any parent material, ferrous, non-ferrous, or non-metallic. Key Inserts are also well suited for quick repair of stripped, damaged, or worn threads. Locking keys positively prevent the insert from rotating.

Stainless Key Inserts are optionally available with “Internal Thread Locking,” which uses a modified internal thread to prevent the installed bolt or stud from rotating. This feature is useful for one-time, permanent installations.

See Technical Information at the beginning of this section for complete installation steps. Key Inserts are installed with standard drills and taps. Important: Use exactly the tap-drill size specified in the tables (slightly larger than the standard tap drill for that thread size). Locking keys are driven down into the parent material during installation, providing a positive mechanical lock against rotation. See tables for optional installation tools.

HEAVY DUTY — STAINLESS STEEL (INCH)

PART NO.	INSERT DIMENSIONS				INSTALLATION DATA					REMOVAL DATA		MS EQUIVALENT	NAS EQUIVALENT
	INTERNAL THREAD	EXTERNAL THREAD	LENGTH	SHEAR ENGAG. (SQ. IN.)	REQ'D TAP DRILL	C'SINK DIA	MIN. THREAD LENGTH	STANDARD TAP UN-2B	INSTALLATION TOOL PART NO.	DRILL SIZE	DRILL DEPTH		
CL-1024-SKS	#10-24	3/8-16	.31	.190	.332	.385	.37	3/8-16	CL-10-KST	9/32	1/8	MS 51831-101	—
CL-1032-SKS	#10-32											MS 51831-201	NAS 1395C3
CL-1420-SKS	1/4-20	7/16-14	.37	.284	.397	.447	.43	7/16-14	CL-14-KST	11/32	3/16	MS 51831-102	—
CL-1428-SKS	1/4-28											MS 51831-202	NAS 1395C4
CL-51618-SKS	5/16-18	1/2-13	.43	.359	.453	.510	.50	1/2-13	CL-516-KST	13/32	3/16	MS 51831-103	—
CL-51624-SKS	5/16-24											MS 51831-203	NAS 1395C5
CL-3816-SKS	3/8-16	9/16-12	.50	.498	.516	.572	.56	9/16-12	CL-38-KST	15/32	3/16	MS 51831-104	—
CL-3824-SKS	3/8-24											MS 51831-204	NAS 1395C6
CL-1213-SKS	1/2-13	3/4-16	.62	1.057	.703	.750	.69	3/4-16	CL-12-KST	21/32	3/16	—	—
CL-1220-SKS	1/2-20											—	—
CL-5811-SKS	5/8-11	7/8-14	.87	1.487	.828	.885	1.00	7/8-14	CL-58-KST	25/32	3/16	MS 51831-108	—
CL-3410-SKS	3/4-10	1-1/8"-12	1.12	2.490	1.062	1.145	1.31	1-1/8"-12	CL-34-KST	31/32	5/16	MS 51831-109	—

HEAVY DUTY — STAINLESS STEEL INTERNAL THREAD LOCKING (INCH)

CL-1420-SKSL	1/4-20	7/16-14	.37	.197	.397	.447	.43	7/16-14	CL-14-KST	11/32	3/16	MS 51831-102L	—
CL-51618-SKSL	5/16-18	1/2-13	.43	.261	.453	.510	.50	1/2-13	CL-516-KST	13/32	3/16	MS 51831-103L	—
CL-3816-SKSL	3/8-16	9/16-12	.50	.384	.516	.572	.56	9/16-12	CL-38-KST	15/32	3/16	MS 51831-104L	—
CL-1213-SKSL	1/2-13	11/16-11NS	.68	.737	.641	.700	.75	11/16-11NS	CL-111611-KSST	19/32	3/16	MS 51831-106L	—
CL-5811-SKSL	5/8-11	7/8-14	.87	1.242	.828	.885	1.00	7/8-14	CL-58-KST	25/32	3/16	MS 51831-108L	—

HEAVY DUTY — STAINLESS STEEL (METRIC)

CLM-58-SKSM	M5	M10x1.25	.39	.275	8.8mm or 5	.40	.45	M10x1.25	CL-10-KST	7.5mm or 19/64	.19	—	—
CLM-61-SKSM	M6	M12x1.25	.47	.413	10.8mm or 27/64	.48	.53	M12x1.25	CL-14-KST	9.5mm or 3/8	.19	—	—
CLM-8125-SKSM	M8	M14x1.5	.55	.530	13mm or 1/2	.56	.61	M14x1.5	CL-516-KST	11.5mm or 29/64	.19	—	—
CLM-81-SKSM	M8x1										.19	—	—
CLM-1015-SKSM	M10	M16x1.5	.63	.729	15mm or 37/64	.64	.69	M16x1.5	CL-38-KST	13.5mm or 17/32	.19	—	—
CLM-10125-SKSM	M10x1.25										.19	—	—
CLM-12175-SKSM	M12	M18x1.5	.71	.820	17mm or 21/32	.72	.77	M18x1.5	CL-12-KST	15.5mm or 39/64	.19	—	—
CLM-12125-SKSM	M12x1.25										.19	—	—
CLM-162-SKS	M16	M22x1.5	.87	1.390	20.5mm or 13/16	.88	.96	M22x1.5	CLM-58-KSMT	17.5mm or 11/16	1/4	—	—
CLM-2025-SKS	M20	M30x2	1.18	2.750	28mm or 1-7/64	1.19	1.36	M30x2	CL-34-KST	26mm or 1-1/64	1/4	—	—
CLM-243-SKS	M24	M33x2	1.30	3.328	31mm or 1-7/32	1.31	1.48	M33x2	CLM-243-KSMT	29mm or 1-9/64	1/4	—	—

KEY INSERTS – THINWALL

BODY: 12L15 STEEL, BLACK OXIDE FINISH, OR 303 STAINLESS STEEL.
KEYS: 302 STAINLESS STEEL

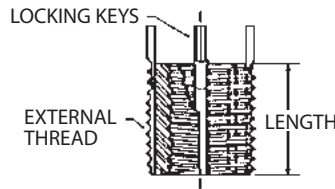
Thinwall Key Inserts have a smaller OD thread size than standard heavy-duty inserts, ideal for tight spaces where less pull-out strength is acceptable. Key Inserts are ideal for thread reinforcement, especially when the mating stud or bolt will be removed frequently. These stainless inserts provide strong, permanent stainless steel threads in any parent material, ferrous, non-ferrous, or non-metallic. Key Inserts are also well suited for quick repair of stripped, damaged, or worn threads. Locking keys positively prevent the insert from rotating.

Stainless Key Inserts are optionally available with "Internal Thread Locking," which uses a modified internal thread to prevent the installed bolt or stud from rotating. This feature is useful for one-time, permanent installations.

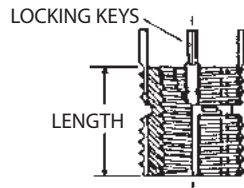
See Technical Information at the beginning of this section for complete installation steps. Key Inserts are installed with standard drills and taps. Important: Use exactly the tap-drill size specified in the tables (slightly larger than the standard tap drill for that thread size). Locking keys are driven down into the parent material during installation, providing a positive mechanical lock against rotation. See tables for optional installation tools.



**Thinwall —
Steel and
Stainless Steel**



**Thinwall —
Stainless Steel
Internal-Thread
Locking**



THINWALL — STAINLESS STEEL (INCH)

PART NO.	INSERT DIMENSIONS				INSTALLATION DATA					REMOVAL DATA			MS EQUIVALENT	NAS EQUIVALENT
	INTERNAL THREAD	EXTERNAL THREAD	LENGTH	SHEAR ENGAG. (SQ. IN.)	REQ'D TAP DRILL	C'SINK DIA	MIN. THREAD LENGTH	STANDARD TAP UN-2B	INSTALLATION TOOL PART NO.	DRILL SIZE	DRILL DEPTH			
CL-1024-TSKS	#10-24	5/16-18	.31	.152	.272	.323	.37	5/16-18	CL-10-KST	7/32	5/32	MS 51830-105	—	
CL-1032-TSKS	#10-32											MS 51830-201	NAS 1394C3	
CL-1420-TSKS	1/4-20	3/8-16	.37	.237	.332	.385	.43	3/8-16	CL-14-KST	9/32	3/16	MS 51830-106	—	
CL-1428-TSKS	1/4-28											MS 51830-202	NAS 1394C4	
CL-51618-TSKS	5/16-18	7/16-14	.43	.305	.397	.447	.50	7/16-14	CL-516-KST	11/32		MS 51830-107	—	
CL-3816-TSKS	3/8-16	1/2-13	.50	.430	.453	.510	.56	1/2-13	CL-38-KST	13/32		MS 51830-108	—	
CL-1213-TSKS	1/2-13	5/8-11	.62	.718	.578	.635	.68	5/8-11	CL-12-KST	17/32		MS 51830-110	—	

THINWALL — STAINLESS STEEL INTERNAL THREAD LOCKING (INCH)

CL-1032-TSKSL	#10-32	5/16-18	.31	.094	.272	.323	.37	5/16-18	CL-10-KST	7/32	5/32	MS 51830-201L	NAS 1394C3L
CL-1420-TSKSL	1/4-20	3/8-16	.37	.173	.332	.385	.43	3/8-16	CL-14-KST	9/32	3/16	MS 51830-106L	—
CL-51618-TSKSL	5/16-18	7/16-14	.43	.232	.397	.447	.50	7/16-14	CL-516-KST	11/32		MS 51830-107L	—
CL-3816-TSKSL	3/8-16	1/2-13	.50	.337	.453	.510	.56	1/2-13	CL-38-KST	13/32		MS 51830-108L	—
CL-1213-TSKSL	1/2-13	5/8-11	.68	.591	.578	.635	.68	5/8-11	CL-12-KST	17/32		MS 51830-110L	—

THINWALL — STEEL (METRIC)

CLM-58-KSM	M5	M8	.32	.163	6.9mm or 1	.32	.36	M8	CL-10-KST	5.5mm or 7/32	5/32	—	—
CLM-61-KSM	M6	M10x1.25	.39	.275	8.8mm or 5	.40	.45	M10x1.25	CL-14-KST	7.5mm or 19/64	3/16	—	—
CLM-8125-KSM	M8	M12x1.25	.47	.413	10.8mm or 27/64	.48	.54	M12x1.25	CL-516-KST	9.5mm or 3/8		—	—
CLM-81-KSM	M8x1											—	—
CLM-1015-KSM	M10	M14x1.5	.55	.530	13mm or 1/2	.56	.62	M14x1.5	CL-38-KST	11.5mm or 29/64	—	—	
CLM-10125-KSM	M10x1.25										—	—	
CLM-12175-KSM	M12	M16x1.5	.63	.729	15mm or 37/64	.63	.69	M16x1.5	CL-12-KST	13.5mm or 17/32	—	—	
CLM-12125-KSM	M12x1.25										—	—	

THINWALL — STAINLESS STEEL (METRIC)

CLM-58-SKS	M5	M8	.32	.163	6.9mm or 1	.32	.36	M8	CL-10-KST	5.5mm or 7/32	5/32	—	—
CLM-61-SKS	M6	M10x1.25	.39	.275	8.8mm or 5	.40	.45	M10x1.25	CL-14-KST	7.5mm or 19/64	3/16	—	—
CLM-8125-SKS	M8	M12x1.25	.47	.413	10.8mm or 27/64	.48	.54	M12x1.25	CL-516-KST	9.5mm or 3/8		—	—
CLM-81-SKS	M8x1											—	—
CLM-1015-SKS	M10	M14x1.5	.55	.530	13mm or 1/2	.56	.62	M14x1.5	CL-38-KST	11.5mm or 29/64	—	—	
CLM-10125-SKS	M10x1.25										—	—	
CLM-12175-SKS	M12	M16x1.5	.63	.729	15mm or 37/64	.63	.69	M16x1.5	CL-12-KST	13.5mm or 17/32	—	—	
CLM-12125-SKS	M12x1.25										—	—	

KEY INSERTS – SOLID

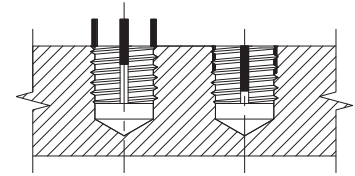
BODY: 12L15 STEEL, BLACK OXIDE FINISH, OR 303 STAINLESS STEEL.
KEYS: 302 STAINLESS STEEL



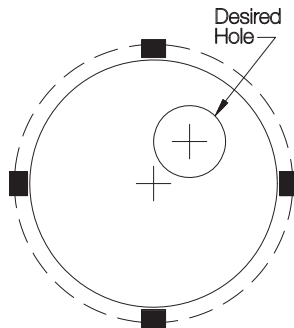
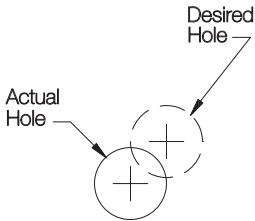
**Solid –
Steel and
Stainless Steel**

Solid Key Inserts are ideal for relocating a drilled or tapped hole. This threaded plug installs quickly, and the locking keys positively prevent the insert from rotating.

See Technical Information at the beginning of this section for complete installation steps. Key Inserts are installed with standard drills and taps. Important: Use exactly the tap-drill size specified in the tables (slightly larger than the standard tap drill for that thread size). Locking keys are driven down into the parent material during installation, providing a positive mechanical lock against rotation. See tables for optional installation tools.

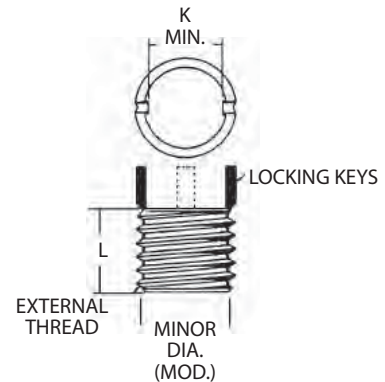


For installation tools, see table below.



Before Repair

After Repair



SOLID – STAINLESS STEEL (INCH)

PART NO.	INSERT DIMENSIONS				INSTALLATION DATA				REMOVAL DATA		
	EXTERNAL THREAD	L	K	SHEAR ENGAGEMENT (SQ. IN.)	REQ'D TAP DRILL	C'SINK DIA +.010/-000	STANDARD TAP UN-2B	MIN. THREAD DEPTH	INSTALLATION TOOL PART NO.	DRILL SIZE	DRILL DEPTH
CL-51618-KSS	5/16-18	.31	.216	.152	I	.323	5/16-18	.37	CL-51618-KSST	7/32	1/8
CL-3816-KSS	3/8-16	.31	.285	.190	Q	.385	3/8-16	.37	CL-3816-KSST	9/32	1/8
CL-71614-KSS	7/16-14	.37	.341	.284	X	.447	7/16-14	.43	CL-71614-KSST	11/32	3/16
CL-1213-KSS	1/2-13	.43	.403	.359	29/64	.510	1/2-13	.50	CL-1213-KSST	13/32	3/16
CL-91612-KSS	9/16-12	.50	.465	.498	33/64	.572	9/16-12	.56	CL-91612-KSST	15/32	3/16
CL-5811-KSS	5/8-11	.62	.528	.717	37/64	.635	5/8-11	.68	CL-5811-KSST	17/32	3/16
CL-111611-KSS	11/16-11-NS	.68	.590	.888	41/64	.700	11/16-11-NS	.75	CL-111611-KSST	19/32	3/16
CL-131616-KSS	13/16-16	.81	.716	1.249	49/64	.822	13/16-16	.94	CL-131616-KSST	23/32	3/16
CL-7814-KSS	7/8-14	.87	.778	1.487	53/64	.885	7/8-14	1.00	CL-7814-KSST	25/32	3/16
CL-11812-KSS	1-1/8"-12	1.12	.970	2.490	1-1/16	1.145	1-1/8"-12	1.31	CL-11812-KSST	31/32	5/16
CL-11412-KSS	1-1/4"-12	1.25	1.095	3.137	1-3/16	1.270	1-1/4"-12	1.41	CL-11412-KSST	1-3/32	5/16
CL-13812-KSS	1-3/8"-12	1.37	1.220	3.838	1-5/16	1.395	1-3/8"-12	1.56	CL-13812-KSST	1-7/32	5/16

SOLID – STEEL (METRIC)

CLM-8125-KSSM	M8	.31	.218	.154	6.9mm or I	.325	M8	.37	CLM-8125-KSST	5.5mm or 7/32	.16
CLM-10125-KSSM	M10 x 1.25	.39	.299	.209	8.8mm or S	.404	M10 x 1.25	.49	CLM-10125-KSST	7.5mm or M	.19
CLM-12125-KSSM	M12 x 1.5	.47	.368	.331	10.8mm or 27/64	.482	M12 x 1.25	.57	CLM-12125-KSST	9.5mm or 3/8	.19
CLM-1615-KSSM	M16 x 1.5	.63	.532	.728	14.75mm or 37/64	.640	M16 x 1.5	.73	CLM-1615-KSST	13.5mm or 17/32	.19
CLM-2015-KSSM	M20 x 1.5	.79	.694	1.173	18.75mm or 47/64	.797	M20 x 1.5	.89	CLM-2015-KSST	17.5mm or 11/16	.19
CLM-2415-KSSM	M24 x 1.5	.94	.815	1.757	22.5mm or 57/64	.955	M24 x 1.5	1.04	CLM-2415-KSST	19.75mm or 25/32	.25
CLM-302-KSSM	M30 x 2	1.18	1.035	2.800	28mm or 1-7/64	1.191	M30 x 2	1.36	CLM-302-KSST	25.75mm or 1-1/64	.25

KEY INSERT ASSORTMENTS



With Key Insert Assortments, you always have the right insert and installation tool on hand for thread repairs. Each of the four assortments contains many different insert sizes and an installation tool for each size. The durable case provides convenient storage and clear organization. **INFO+**: Order individual inserts on pages 317-320 as refills.



INFO+: To order repair kits for a single thread size, see page 317.

UNC COARSE

PART NO.	CONTAINS THESE INSERTS			CONTAINS THESE TOOLS
	QTY	ID THREAD	PART NO.	
CL-1-KS-C	5	#10-24	CL-1024-KS	CL-10-KST
	10	1/4-20	CL-1420-KS	CL-14-KST
	10	5/16-18	CL-51618-KS	CL-516-KST
	10	3/8-16	CL-3816-KS	CL-38-KST
	10	1/2-13	CL-1213-KS	CL-12-KST
	10	5/8-11	CL-5811-KS	CL-58-KST
	5	3/4-10	CL-3410-KS	CL-34-KST

UNC COARSE — STAINLESS STEEL

PART NO.	CONTAINS THESE INSERTS			CONTAINS THESE TOOLS
	QTY	ID THREAD	PART NO.	
CL-1-SKS-C	5	#10-24	CL-1024-KS	CL-10-KST
	10	1/4-20	CL-1420-KS	CL-14-KST
	10	5/16-18	CL-51618-KS	CL-516-KST
	10	3/8-16	CL-3816-KS	CL-38-KST
	10	1/2-13	CL-1213-KS	CL-12-KST
	10	5/8-11	CL-5811-KS	CL-58-KST
	5	3/4-10	CL-3410-KS	CL-34-KST

UNF FINE

PART NO.	CONTAINS THESE INSERTS			CONTAINS THESE TOOLS
	QTY	ID THREAD	PART NO.	
CL-1-KS-F	5	#10-24	CL-1032-KS	CL-10-KST
	10	1/4-20	CL-1428-KS	CL-14-KST
	10	5/16-18	CL-51624-KS	CL-516-KST
	10	3/8-16	CL-3824-KS	CL-38-KST
	10	1/2-13	CL-1220-KS	CL-12-KST
	10	5/8-11	CL-5818-KS	CL-58-KST
	5	3/4-10	CL-3416-KS	CL-34-KST

METRIC COARSE

PART NO.	CONTAINS THESE INSERTS			CONTAINS THESE TOOLS
	QTY	ID THREAD	PART NO.	
CLM-1-KSM-C	5	M5	CLM-58-KSM	CL-10-KST
	10	M6	CLM-61-KSM	CL-14-KST
	10	M8	CLM-8125-KSM	CL-516-KST
	10	M10	CLM-1015-KSM	CL-38-KST
	10	M12	CLM-12175-KSM	CL-12-KST
	10	M16	CLM-162-KSM	CL-58-KST
	5	M20	CLM-2025-KSM	CL-34-KST

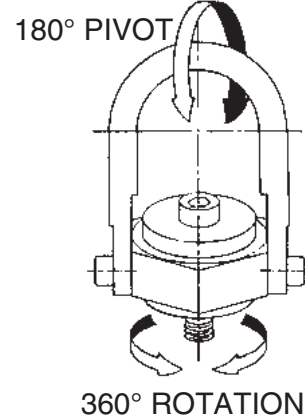
SOLID — STAINLESS STEEL

PART NO.	CONTAINS THESE INSERTS			CONTAINS THESE TOOLS
	QTY	ID THREAD	PART NO.	
CLM-1-KSM-C	5	5/16-18	CL-51618-KSS	CL-51618-KSST
	10	3/8-16	CL-3816-KSS	CL-3816-KSST
	10	1/2-13	CL-1213-KSS	CL-1213-KSST
	10	9/16-12	CL-91612-KSS	CL-91612-KSST
	10	5/8-11	CL-5811-KSS	CL-5811-KSST
	10	7/8-14	CL-7814-KSS	CL-7814-KSST
	5	1-1/8"-12	CL-11812-KSS	CL-11812-KSST

Corrosion-Resistant Swivel Hoist Rings



Electroless Nickel Plating is ideal for many corrosive and marine environments.



Pivots and swivels simultaneously to allow lifting from any direction.

See Page 71

Increase Productivity With Power Workholding



Power Workholding allows you to quickly clamp, position or support workpieces on CNC machines

- Reduce load time
- Reduce operator fatigue
- Increase quality and safety



Work Supports



Compact Clamps



Swing Clamps



Fixture Clamps



CNC Machine Vises



Extending Clamps



Hinge/Link Clamps



Quintus Quick-Change Riser



Power Sources



Valves, Fittings & Accessories

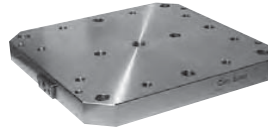
JIG AND FIXTURE BASES



Carr Lock® System



**CL5® Quick-Change
5-Axis Workholding**



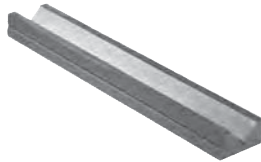
Blank Tooling Plates



Blank Tooling Blocks



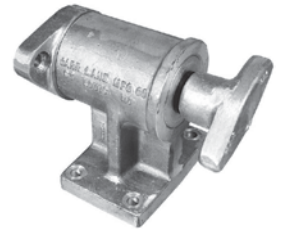
Angle Brackets



Cast Sections



Hinged Bushing Plates



Trunnions



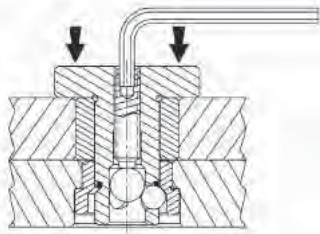
Adjustable Locking Hubs

CARR LOCK® SYSTEMS

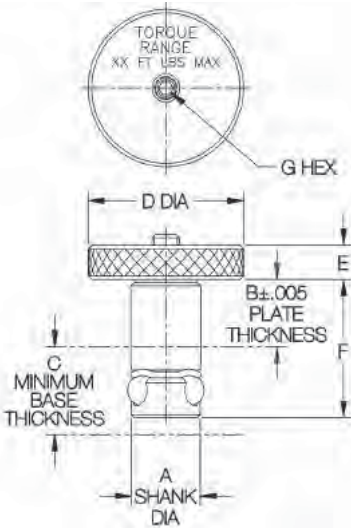
CLAMP BODY: 4340 STEEL, HEAT TREATED RC 40-45, BLACK OXIDE FINISH
 RECEIVER BUSHINGS: 4340 STEEL, HEAT TREATED RC 50-54, BLACK OXIDE FINISH
 LINERS: 1144 OR TOOL STEEL, HEAT TREATED RC 58-64, BLACK OXIDE FINISH



Carr Lock® Clamp



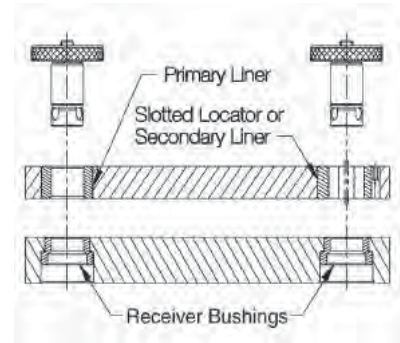
Turning the clamping screw with a hex wrench advances the large center ball, pushing the three clamping balls outward. These balls engage the angled ID of the Receiver Bushing, pulling the entire unit firmly downward.



The Carr Lock® System allows accurately locating and clamping at the same time, with just the turn of a hex wrench. Ideal for mounting quick-change tooling on a subplate. Each mount consists of three components: (1) a Carr Lock® Clamp with a precisely ground shank; (2) a Liner Bushing in the top plate; (3) a Receiver Bushing in the subplate. This compact assembly provides considerable holddown force, together with an incredible $\pm .0005$ inches repeatability!

Each top plate should have one Carr Lock® Clamp designated as its primary reference point, and one as its secondary reference point. These two clamps should be as far apart as possible. The secondary reference point should have a relieved liner to avoid redundant location (binding). Additional Carr Lock® Clamps can be used for more clamping force, but these should be installed in clearance holes, not locating liners. Note that the same Carr Lock® Clamp fits any type of liner or a clearance hole.

Carr Lock® Clamps must be used with one of the Receiver Bushings (INFO+) on page 326. Plate thickness must be $\pm .005$ inches to achieve proper clamping force. Special grip lengths for other plate thicknesses are available as specials. Do not exceed maximum screw torque shown.



CARR LOCK® CLAMPS (INCH)

PART NO.	A SHANK DIA		B		C	D DIA	E	F	G	MAX SCREW TORQUE (FT-LBS)	MAX HOLD DOWN FORCE	SPARE PARTS KIT PART NO.*
	NOMINAL	ACTUAL	NOMINAL	ACTUAL								
CL-13-CLC-0.50	13mm	.5116	1/2	.500	.75	7/8	1/4	1.08	3/32	1	750	CL-13-CLPK-0.50
CL-13-CLC-0.75		.5111	3/4	.750				1.33				CL-13-CLPK-0.75
CL-16-CLC-0.50	16mm	.6297	1/2	.500	.75	1-1/2	5/16	1.15	1/8	2	1200	CL-16-CLPK-0.50
CL-16-CLC-0.75		.6292	3/4	.750				1.40				CL-16-CLPK-0.75
CL-20-CLC-0.75	20mm	.7872	3/4	.750	.83	1-3/4	3/8	1.53	1/8	3	3000	CL-20-CLPK-0.75
CL-20-CLC-1.00		.7867	1	1.000				1.78				CL-20-CLPK-1.00
CL-25-CLC-0.75	25mm	.9841	3/4	.750	1.00	2	3/8	1.70	5/32	7	7000	CL-25-CLPK-0.75
CL-25-CLC-1.00		.9836	1	1.000				1.95				CL-25-CLPK-1.00
CL-30-CLC-0.75	30mm	1.1809	3/4	.750	1.23	2-1/4	1/2	1.88	3/16	12	10000	CL-30-CLPK-0.75
CL-30-CLC-1.00		1.1804	1	1.000				2.13				CL-30-CLPK-1.00
CL-35-CLC-0.75	35mm	1.3778	3/4	.750	1.28	2-1/4	1/2	1.97	1/4	19	15500	CL-35-CLPK-0.75
CL-35-CLC-1.00			1	1.000				2.22				CL-35-CLPK-1.00
CL-35-CLC-1.50			1-1/2	1.500				2.72				CL-35-CLPK-1.50
CL-35-CLC-2.00			2	2.000				3.22				CL-35-CLPK-2.00
CL-50-CLC-1.00	50mm	1.9683	1	1.000	1.80	3	3/4	2.70	3/8	38	20000	CL-50-CLPK-1.00
CL-50-CLC-1.50			1-1/2	1.500				3.20				CL-50-CLPK-1.50
CL-50-CLC-2.00			2	2.000				3.70				CL-50-CLPK-2.00

CARR LOCK® CLAMPS (METRIC)

CLM-13-CLC-13	13mm	.5116	13mm	.512	.75	.87	.236	1.09	2.5mm	1	750	CLM-13-CLPK-13
CLM-13-CLC-20		.5111	20mm	.787				1.36				CLM-13-CLPK-20
CLM-16-CLC-20	16mm	.6297	20mm	.787	.75	1.50	.315	1.44	3mm	2	1200	CLM-16-CLPK-20
CLM-16-CLC-25		.6292	25mm	.984				1.63				CLM-16-CLPK-25
CLM-20-CLC-20	20mm	.7872	20mm	.787	.83	1.77	.394	1.56	3mm	3	3000	CLM-20-CLPK-20
CLM-20-CLC-25		.7867	25mm	.984				1.75				CLM-20-CLPK-25
CLM-25-CLC-20	25mm	.9841	20mm	.787	1.00	1.97	.394	1.73	4mm	7	7000	CLM-25-CLPK-20
CLM-25-CLC-25		.9836	25mm	.984				1.93				CLM-25-CLPK-25

* Spare Parts Kit includes screw, center ball, locking balls, and O-ring.

CARR LOCK® SYSTEM



Primary Liner Bushing



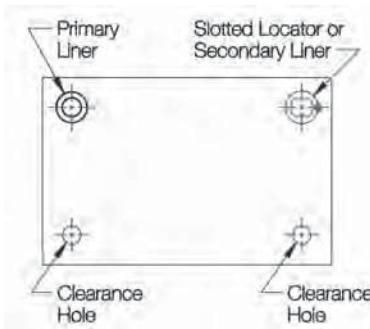
Secondary Liner Bushing



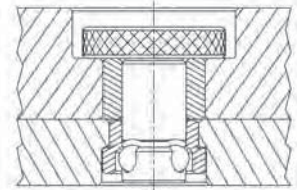
Slotted Locator Bushing

LINER BUSHINGS

Each top plate should have one Primary Liner, and one Secondary Liner or Slotted Locator Bushing. Primary Liners have a tight ID (+.0002/+.0007 tolerance) for precise reference in two axes. Secondary Liners have slight ID clearance (+.0010/+.0020 tolerance) to avoid binding. Slotted Locator Bushings provide better accuracy than Secondary Liners, but take a few extra steps to install (INFO+: see page 36 for instructions and additional dimensions). Slotted Locators have a tight ID tolerance in one direction and full relief in the perpendicular direction (available only in 16mm, 20mm, and 25mm diameters). Note: alternatively, two Primary Liners can be used for alignment if hole locations are held to ±.0002 inches.



To mount top plates with more than two Carr Lock® Clamps, use clearance holes .015-.030 inches over nominal size for the additional holes, instead of liner bushings, to avoid redundant location. (Still use four Receiver Bushings in the subplate.)



Extra-thick top plates can be counter-bored to achieve proper clamping thickness (hold thickness to ±.005). Special-length Carr Lock® Clamps are also available, as specials.

PRIMARY LINER BUSHINGS (INCH)

PART NO.	ID	LENGTH	OD	HOLE IN PLATE		
CL-13-CLPL-0.50	13mm	.50	.7518	.7504		
CL-13-CLPL-0.75		.75	.7514	.7509		
CL-16-CLPL-0.50	16mm	.50	1.0018	1.0004		
CL-16-CLPL-0.75		.75	1.0014	1.0009		
CL-20-CLPL-0.75	20mm	.75	1.3772	1.3758		
CL-20-CLPL-1.00		1.00	1.3768	1.3763		
CL-25-CLPL-0.75	25mm	.75	1.3772	1.3758		
CL-25-CLPL-1.00		1.00	1.3768	1.3763		
CL-30-CLPL-0.75	30mm	.75	1.7523	1.7509		
CL-30-CLPL-1.00		1.00	1.7519	1.7514		
CL-35-CLPL-0.75	35mm	.75	1.7523	1.7509		
CL-35-CLPL-1.00		1.00				
CL-35-CLPL-1.50		1.50			1.7519	1.7514
CL-35-CLPL-2.00		2.00				
CL-50-CLPL-1.00	50mm	1.00	2.5025	2.5007		
CL-50-CLPL-1.50		1.50	2.5021	2.5012		
CL-50-CLPL-2.00		2.00				

(METRIC)

CLM-13-CLPL-13	13mm	.512	19mm	.7487
CLM-13-CLPL-20		.787		.7491
CLM-16-CLPL-20	16mm	.787	25mm	.9849
CLM-16-CLPL-25		.984		.9853
CLM-20-CLPL-20	20mm	.787	35mm	1.3787
CLM-20-CLPL-25		.984		1.3791
CLM-25-CLPL-20	25mm	.787	35mm	1.3787
CLM-25-CLPL-25		.984		1.3791

SECONDARY LINER BUSHINGS (INCH)

PART NO.	ID	LENGTH	OD	HOLE IN PLATE		
CL-13-CLSL-0.50	13mm	.50	.7518	.7504		
CL-13-CLSL-0.75		.75	.7514	.7509		
CL-16-CLSL-0.50	16mm	.50	1.0018	1.0004		
CL-16-CLSL-0.75		.75	1.0014	1.0009		
CL-20-CLSL-0.75	20mm	.75	1.3772	1.3758		
CL-20-CLSL-1.00		1.00	1.3768	1.3763		
CL-25-CLSL-0.75	25mm	.75	1.3772	1.3758		
CL-25-CLSL-1.00		1.00	1.3768	1.3763		
CL-30-CLSL-0.75	30mm	.75	1.7523	1.7509		
CL-30-CLSL-1.00		1.00	1.7519	1.7514		
CL-35-CLSL-0.75	35mm	.75	1.7523	1.7509		
CL-35-CLSL-1.00		1.00				
CL-35-CLSL-1.50		1.50			1.7519	1.7514
CL-35-CLSL-2.00		2.00				
CL-50-CLSL-1.00	50mm	1.00	2.5025	2.5007		
CL-50-CLSL-1.50		1.50	2.5021	2.5012		
CL-50-CLSL-2.00		2.00				

(METRIC)

CLM-13-CLSL-13	13mm	.512	19mm	.7487
CLM-13-CLSL-20		.787		.7491
CLM-16-CLSL-20	16mm	.787	25mm	.9849
CLM-16-CLSL-25		.984		.9853
CLM-20-CLSL-20	20mm	.787	35mm	1.3787
CLM-20-CLSL-25		.984		1.3791
CLM-25-CLSL-20	25mm	.787	35mm	1.3787
CLM-25-CLSL-25		.984		1.3791

SLOTTED LOCATOR BUSHINGS (INCH)

PART NO.	ID	LENGTH	OD	HOLE IN PLATE
—	13mm	—	—	—
CLM-16-SLLB	16mm	.472	1.1815 1.1812	1.1806 1.1809
CLM-20-SLLB	20mm	.748	1.4177 1.4174	1.4168 1.4171
CLM-25-SLLB	25mm	.748	1.5752 1.5749	1.5743 1.5746
—	30mm	—	—	—
—	35mm	—	—	—
—	50mm	—	—	—

(METRIC)

—	13mm	—	—	—
CLM-16-SLLB	16mm	.472	30mm	1.1806 1.1809
CLM-20-SLLB	20mm	.748	36mm	1.4168 1.4171
CLM-25-SLLB	25mm	.748	40mm	1.5743 1.5746

CARR LOCK® SYSTEM



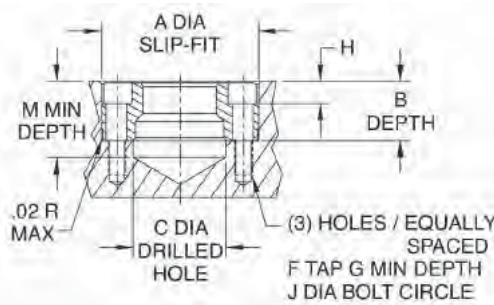
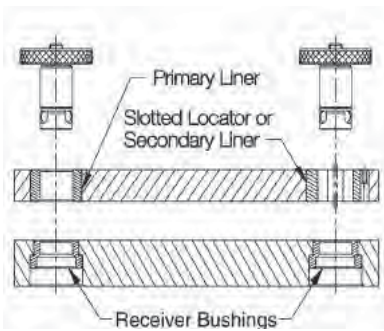
Face-Mount Receiver Bushing



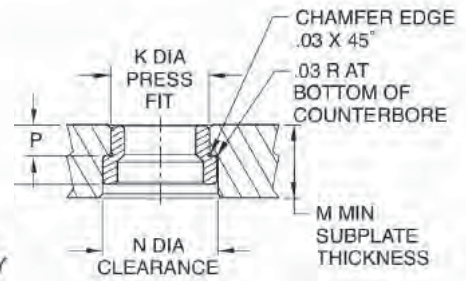
Back-Mount Receiver Bushing

RECEIVER BUSHINGS

Carr Lock® Clamps must be used in conjunction with one of these Receiver Bushings. Face-Mount Receiver Bushings can be bolted into a slip-fit bored hole from above, with three Socket-Head Cap Screws (furnished). Back-Mount Receiver Bushings are more compact, but take more effort to install. Back-mount bushings are installed in the subplate from below, with a slight press fit (measure actual bushing before boring hole to provide .0005 maximum press fit, to avoid I.D. distortion). With either bushing type, the installation holes must be jig bored for accurate size and location. Installed bushings will be approximately .012" below the subplate surface.



Face Mount Hole Dimensions



Back Mount Hole Dimensions

FACE-MOUNT RECEIVER BUSHINGS (INCH)

PART NO.	ID	A DIA		B		C	F	G	H	J DIA	M
		BUSHING	HOLE	BUSHING	HOLE						
CL-13-CLFR	13mm	1.3750	1.3750	.455	.469	.688	#8-32	.31	.180	.984	.75
		1.3746	1.3746		.471						
CL-16-CLFR	16mm	1.4370	1.4370	.455	.469	.812	#8-32	.31	.193	1.125	.75
		1.4366	1.4366		.471						
CL-20-CLFR	20mm	1.6873	1.6873	.623	.637	.812	#10-32	.38	.273	1.362	.83
		1.6869	1.6869		.639						
CL-25-CLFR	25mm	2.0623	2.0623	.785	.799	1.000	1/4-28	.50	.316	1.644	1.00
		2.0619	2.0619		.801						
CL-30-CLFR	30mm	2.2654	2.2654	.857	.871	1.188	1/4-28	.75	.316	1.876	1.23
		2.2650	2.2650		.873						
CL-35-CLFR	35mm	2.6873	2.6873	.890	.904	1.562	5/16-24	.88	.375	2.178	1.28
		2.6869	2.6869		.906						
CL-50-CLFR	50mm	3.4998	3.4998	1.225	1.239	2.156	3/8-24	1.00	.475	2.916	1.80
		3.4994	3.4994		1.241						

(METRIC)

CLM-13-CLFR	13mm	1.3776	1.3780	.455	.468	.531	M4	.39	.177	.984	.78
		1.3772	1.3783		.470						
CLM-16-CLFR	16mm	1.4563	1.4567	.455	.468	.650	M4	.39	.177	1.142	.78
		1.4559	1.4570		.470						
CLM-20-CLFR	20mm	1.7713	1.7717	.623	.637	.807	M5	.47	.236	1.378	.78
		1.7709	1.7720		.639						
CLM-25-CLFR	25mm	2.1650	2.1654	.785	.799	1.004	M6	.59	.276	1.654	.98
		2.1646	2.1657		.801						

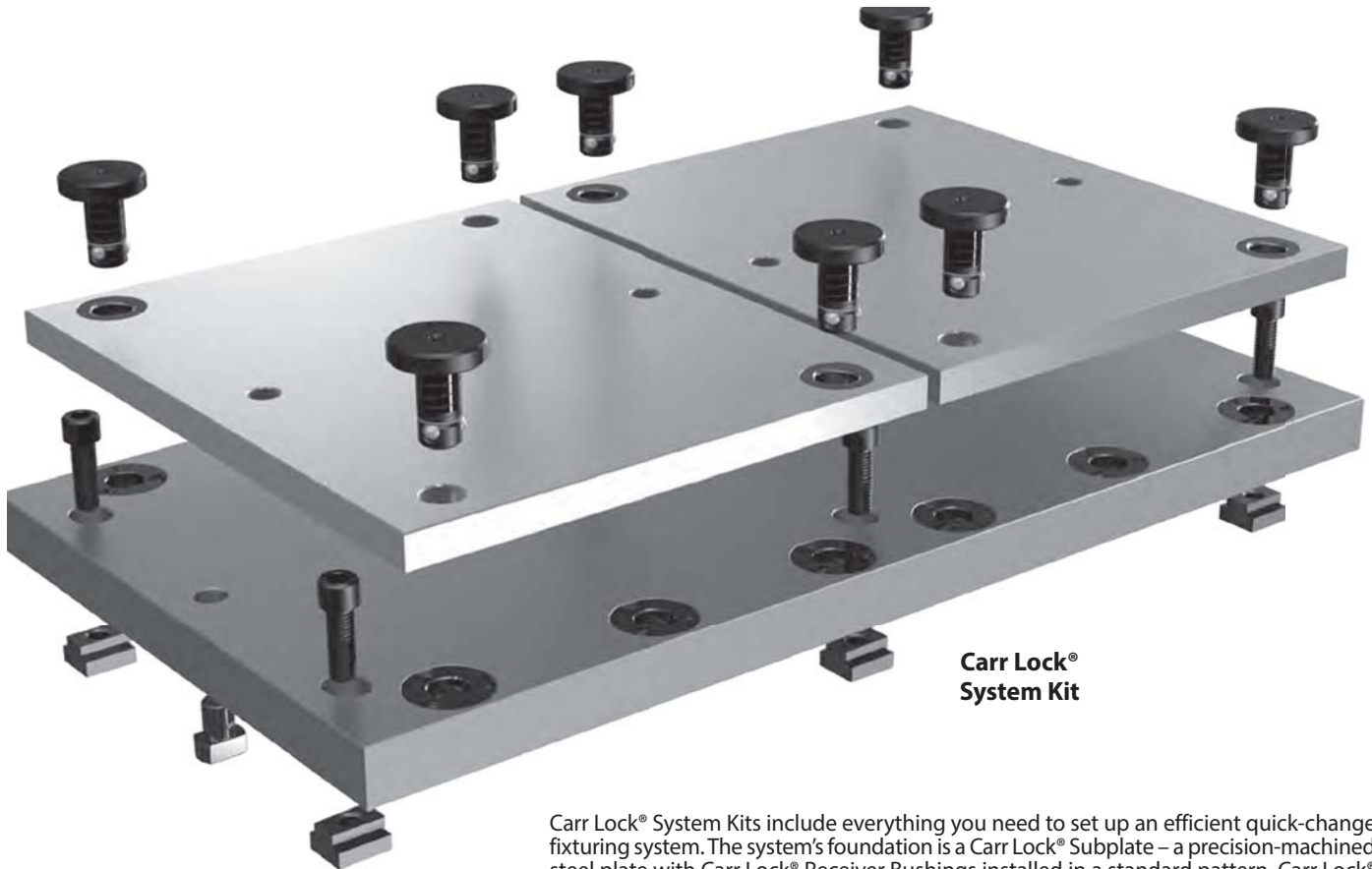
BACK-MOUNT RECEIVER BUSHINGS (INCH)

PART NO.	ID	B	K DIA		M	N DIA		P
			BUSHING	HOLE		BUSHING	HOLE	
CL-13-CLBR	13mm	.475	1.3750	ACTUAL BUSHING K DIA -.0001 -.0005	.75	.984	.995	.277
			1.3746			1.005	.275	
CL-16-CLBR	16mm	.475	1.4370		.75	1.125	1.150	.285
			1.4366			1.160	.283	
CL-20-CLBR	20mm	.673	1.6873		.83	1.250	1.275	.345
			1.6869			1.285	.343	
CL-25-CLBR	25mm	.826	2.0623		1.00	1.562	1.588	.416
			2.0619			1.598	.414	
CL-30-CLBR	30mm	.857	2.2654		1.23	1.875	1.901	.432
			2.2650			1.911	.430	
CL-35-CLBR	35mm	.990	2.6873	1.28	2.125	2.150	.493	
			2.6869		2.160	.491		
CL-50-CLBR	50mm	1.225	3.4998	1.80	2.937	2.963	.621	
			3.4994		2.973	.619		

(METRIC)

CLM-13-CLBR	13mm	.476	1.3776	ACTUAL BUSHING K DIA -.0001 -.0005	.78	.984	1.019	.273
			1.3772			1.029	.271	
CLM-16-CLBR	16mm	.476	1.4563		.78	1.125	1.137	.286
			1.4559			1.147	.284	
CLM-20-CLBR	20mm	.673	1.7713		.78	1.268	1.294	.345
			1.7709			1.304	.343	
CLM-25-CLBR	25mm	.826	2.1650		.98	1.583	1.609	.416
			2.1646			1.619	.414	

CARR LOCK® SYSTEM



**Carr Lock®
System Kit**

Carr Lock® System Kits include everything you need to set up an efficient quick-change fixturing system. The system's foundation is a Carr Lock® Subplate – a precision-machined steel plate with Carr Lock® Receiver Bushings installed in a standard pattern. Carr Lock® System Kits also include one or more Carr Lock® Fixture Plates, plus all required Carr Lock® Clamps and subplate-mounting components.

The Carr Lock® System is extremely accurate. All Receiver-Bushing installation holes are located $\pm .0002$ " from their primary reference hole. Clamping repeatability is $\pm .0005$ ", while bushing concentricity is $.0002$ " TIR. The resulting x/y-axis repeatability of a mounted fixture plate is $\pm .0028$ " considering all tolerance accumulation. Made in USA.

CARR LOCK® SYSTEM KITS

PART NO. CARR LOCK® SYSTEM KIT	FOR MACHINE	KIT INCLUDES CARR LOCK® SUBPLATE		KIT INCLUDES CARR LOCK® FIXTURE PLATES		KIT INCLUDES CARR LOCK® CLAMPS	KIT INCLUDES T NUTS AND SOCKET-HEAD CAP SCREWS	KIT INCLUDES FIXTURE KEYS
CL-1214-00-CLSK	HAAS® Mini Mill	12 x 14	CL-1214-00-CLSP	12 x 14	(1) CL-1214-00-CLFP	(4) CL-20-CLC-0.75	4	2
CL-1426-00-CLSK	HAAS® VF-1	14 x 26	CL-1426-00-CLSP	12 x 14	(2) CL-1214-00-CLFP	(8) CL-20-CLC-0.75	6	2
CL-1436-00-CLSK	HAAS® VF-2	14 x 36	CL-1436-01-CLSP	14 x 14	(2) CL-1414-00-CLFP	(8) CL-20-CLC-0.75	8	2
CL-1436-01-CLSK				Jigsaw	(3) CL-1016-01-CLFP	(9) CL-20-CLC-0.75		
CL-400400-00-CLSK	Various	400 x 400mm	CL-400400-00-CLSP	400 x 400mm	(1) CL-400400-00-CLFP	(4) CL-20-CLC-0.75	6	2
CL-1626-00-CLSK	HAAS® VF-1YT	16 x 26	CL-1626-00-CLSP	12 x 14	(2) CL-1214-00-CLFP	(8) CL-20-CLC-0.75	6	2
CL-1626-01-CLSK				Jigsaw	(2) CL-1016-01-CLFP	(6) CL-20-CLC-0.75		
CL-1636-00-CLSK	HAAS® VF-2YT	16 x 36	CL-1636-01-CLSP	14 x 14	(2) CL-1414-00-CLFP	(8) CL-20-CLC-0.75	8	2
CL-1636-01-CLSK				Jigsaw	(3) CL-1016-01-CLFP	(9) CL-20-CLC-0.75		
CL-5001000-00-CLSK	Various	500 x 1000mm	CL-5001000-01-CLSP	14 x 14	(2) CL-1414-00-CLFP	(8) CL-20-CLC-0.75	8	2
CL-5001000-01-CLSK				400 x 400mm	(2) CL-400400-00-CLFP	(8) CL-20-CLC-0.75		
CL-5001000-02-CLSK				500 x 500mm	(2) CL-500500-00-CLFP	(8) CL-25-CLC-1.00		
CL-5001000-03-CLSK				Jigsaw	(4) CL-1016-01-CLFP	(12) CL-20-CLC-0.75		

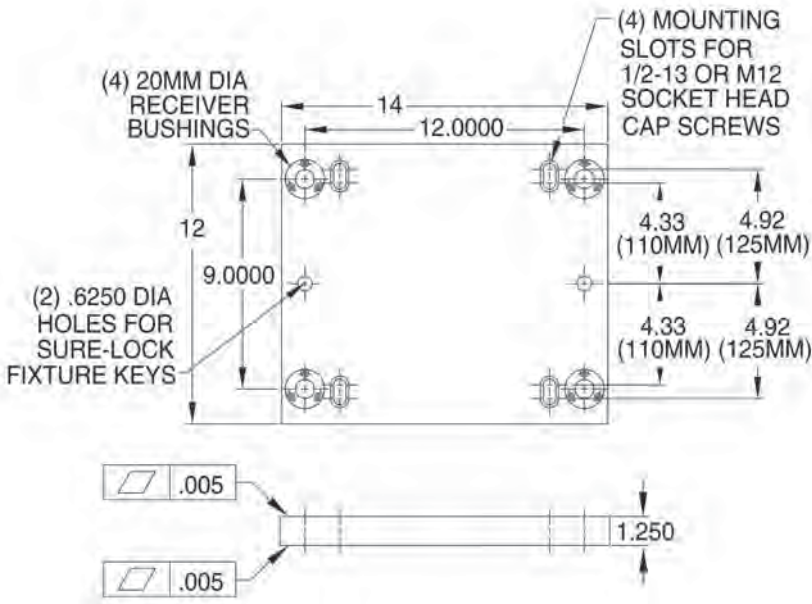
HAAS® is a registered trademark of HAAS® Automation, Inc.

CARR LOCK® SYSTEM

SUBPLATE: CARBON STEEL
 RECEIVER BUSHINGS: 4340 STEEL, HEAT TREATED RC 50-54, BLACK OXIDE FINISH



**Carr Lock® Subplate
 12 x 14
 For HAAS® Mini Mill**



Carr Lock® Subplates are precision-machined steel plates with Carr Lock® Receiver Bushings installed in a standard pattern. These subplates serve as the foundation of an efficient quick-change fixturing system. The 12 x 14 subplate shown here has (4) 20mm Face-Mount Receiver Bushings for mounting Fixture Plates.

Subplates should generally be large enough to cover most of the machine table, for maximum fixture flexibility, but should never extend beyond the machine table. For maximum quick-change benefits, subplates are usually left permanently on the machine table while only the mounted fixtures or vises are exchanged.

The Carr Lock® System is extremely accurate. All Receiver-Bushing installation holes are located +/- .0002" from their primary reference hole. Clamping repeatability is +/- .0005", while bushing concentricity is .0002" TIR. The resulting x/y-axis repeatability of a mounted fixture plate is +/- .0028" considering all tolerance accumulation. Made in USA.



Carr Lock® System Kits

System Kits include everything you need to set up an efficient quick-change fixturing system. Kits include a Carr Lock® subplate, one or more Carr Lock® Fixture Plates, plus all required Carr Lock® Clamps and subplate-mounting components (Sure-Lock™ Fixture Keys, T Nuts, and Socket-Head Cap Screws).

CARR LOCK® SUBPLATE

PART NO.	FOR MACHINE	SUBPLATE SIZE	SUBPLATE THICKNESS	ACCEPTS CARR LOCK® FIXTURE PLATES	REQUIRES CARR LOCK® CLAMPS
CL-1214-00-CLSP	HAAS® MINI MILL	12 X 14	(4) CL-20-CLC-0.75	(1) CL-1214-00-CLFP	(4) CL-20-CLC-0.75

CARR LOCK® SYSTEM KIT

PART NO.	SYSTEM KIT INCLUDES					
	CARR LOCK® SUBPLATE 14 x 36	CARR LOCK® FIXTURE PLATE 14 x 14	CARR LOCK® CLAMPS 20mm	T NUTS 5/8	SOCKET-HEAD CAP SCREWS 1/2-13	SURE-LOCK™ FIXTURE KEYS 5/8
CL-1214-00-CLSK	(1) CL-1214-00-CLSP	(1) CL-1214-00-CLFP	(4) CL-20-CLC-0.75	(4) CL-2-TN	(4) CL-1/2-13X1.50-SHCS	(2) CL-6250-SLFK

CARR LOCK® SYSTEM

SUBPLATE: CARBON STEEL
RECEIVER BUSHINGS: 4340 STEEL, HEAT TREATED RC 50-54, BLACK OXIDE FINISH

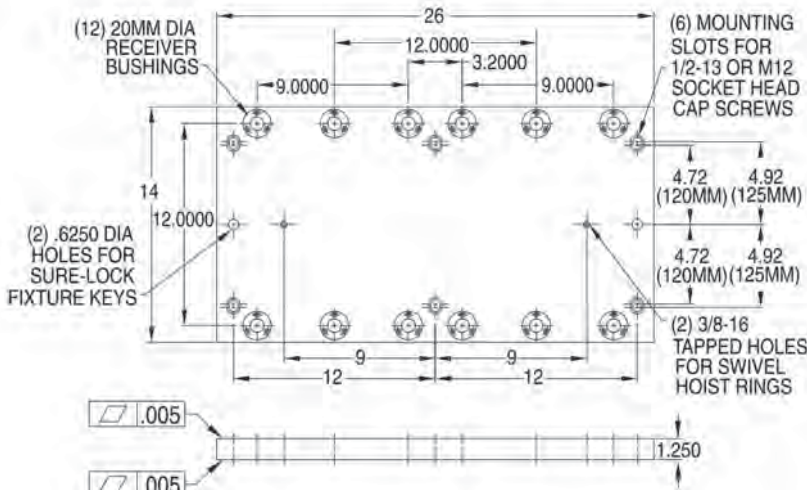


Carr Lock® Subplate
14 x 26
For HAAS® VF-1

Carr Lock® Subplates are precision-machined steel plates with Carr Lock® Receiver Bushings installed in a standard pattern. These subplates serve as the foundation of an efficient quick-change fixturing system. The 14 x 26 subplate shown here has (12) 20mm Face-Mount Receiver Bushings to allow mounting a variety of fixture plates.

Subplates should generally be large enough to cover most of the machine table, for maximum fixture flexibility, but should never extend beyond the machine table. For maximum quick-change benefits, subplates are usually left permanently on the machine table while only the mounted fixtures or vises are exchanged.

The Carr Lock® System is extremely accurate. All Receiver-Bushing installation holes are located ± 0.0002 " from their primary reference hole. Clamping repeatability is ± 0.0005 ", while bushing concentricity is $.0002$ " TIR. The resulting x/y-axis repeatability of a mounted fixture plate is ± 0.0028 " considering all tolerance accumulation. Made in USA.



Carr Lock® System Kits

System Kits include everything you need to set up an efficient quick-change fixturing system. Kits include a Carr Lock® Subplate, one or more Carr Lock® Fixture Plates, plus all required Carr Lock® Clamps and subplate-mounting components (Sure-Lock™ Fixture Keys, T Nuts, and Socket-Head Cap Screws).

CARR LOCK® SUBPLATE

PART NO.	FOR MACHINE	SUBPLATE SIZE	SUBPLATE THICKNESS	ACCEPTS CARR LOCK® FIXTURE PLATES		REQUIRES CARR LOCK CLAMPS
				12 X 14	(2) CL-1214-00-CLFP	(8) CL-20-CLC-0.75
CL-1426-00-CLSP	HAAS® VF-1	14 X 26	1.250	12 X 14	(1) CL-1414-00-CLFP	(4) CL-20-CLC-0.75
				12 X 14	(2) CL-1214-00-CLFP	(8) CL-20-CLC-0.75

CARR LOCK® SYSTEM KIT

PART NO.	SYSTEM KIT INCLUDES					
	CARR LOCK® SUBPLATE 14 x 36	CARR LOCK® FIXTURE PLATE 14 x 14	CARR LOCK® CLAMPS 20mm	T NUTS 5/8	SOCKET-HEAD CAP SCREWS 1/2-13	SURE-LOCK™ FIXTURE KEYS 5/8
CL-1426-00-CLSK	(1) CL-1426-00-CLSP	(2) CL-1214-00-CLFP	(8) CL-20-CLC-0.75	(6) CL-2-TN	(6) CL-1/2-13X1.50-SHCS	(2) CL-6250-SLFK

CARR LOCK® SYSTEM

SUBPLATE: CARBON STEEL
 RECEIVER BUSHINGS: 4340 STEEL, HEAT TREATED RC 50-54, BLACK OXIDE FINISH

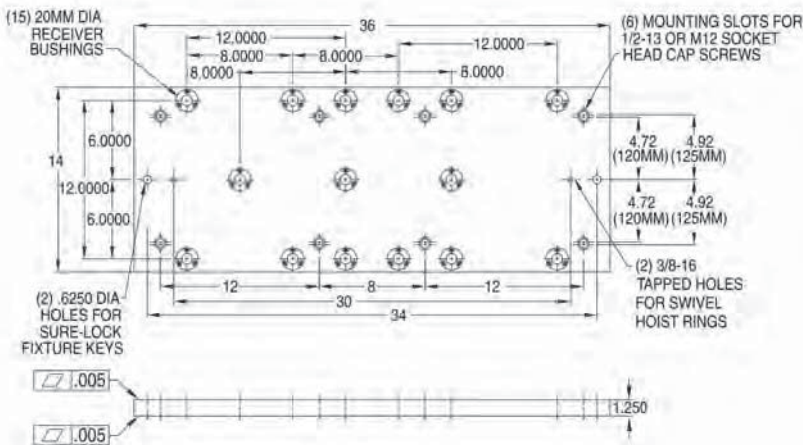


**Carr Lock® Subplate
 14 x 36
 For HAAS® VF-2**

Carr Lock® Subplates are precision-machined steel plates with Carr Lock® Receiver Bushings installed in a standard pattern. These subplates serve as the foundation of an efficient quick-change fixturing system. The 14 x 36 subplate shown here has (15) 20mm Face-Mount Receiver Bushings to allow mounting a variety of Fixture Plates and vise plates.

Subplates should generally be large enough to cover most of the machine table, for maximum fixture flexibility, but should never extend beyond the machine table. For maximum quick-change benefits, subplates are usually left permanently on the machine table while only the mounted fixtures or vises are exchanged.

The Carr Lock® System is extremely accurate. All Receiver-Bushing installation holes are located +/- .0002" from their primary reference hole. Clamping repeatability is +/- .0005", while bushing concentricity is .0002" TIR. The resulting x/y-axis repeatability of a mounted fixture plate is +/- .0028" considering all tolerance accumulation. Made in USA.



Carr Lock® System Kits

System Kits include everything you need to set up an efficient quick-change fixturing system. Kits include a Carr Lock® subplate, one or more Carr Lock® Fixture Plates, plus all required Carr Lock® Clamps and subplate-mounting components (Sure-Lock™ Fixture Keys, T Nuts, and Socket-Head Cap Screws).

CARR LOCK® SUBPLATE

PART NO.	FOR MACHINE	SUBPLATE SIZE	SUBPLATE THICKNESS	ACCEPTS CARR LOCK FIXTURE PLATES		REQUIRES CARR LOCK CLAMPS
				14 X 14	(2) CL-1414-00-CLFP	(8) CL-20-CLC-0.75
CL-1436-01-CLSP	HAAS® VF-2	14 X 36	1.250	Jigsaw	(3) C-1016-0L1-CLFP	(9) CL-20-CLC-0.75

CARR LOCK® SYSTEM KITS

PART NO.	SYSTEM KIT INCLUDES					
	CARR LOCK® SUBPLATE 14 x 36	CARR LOCK® FIXTURE PLATE 14 x 14	CARR LOCK® CLAMPS 20mm	T NUTS 5/8	SOCKET-HEAD CAP SCREWS 1/2-13	SURE-LOCK™ FIXTURE KEYS 5/8
CL-1436-00-CLSK	(1) CL-1436-01-CLSP	(2) CL-1414-00-CLFP	(8) CL-20-CLC-0.75	(8) CL-2-TN	(8) CL-1/2-13X1.50-SHCS	(2) CL-6250-SLFK
CL-1436-01-CLSK	(1) CL-1436-01-CLSP	(3) CL-1016-01-CLFP	(9) CL-20-CLC-0.75	(8) CL-2-TN	(8) CL-1/2-13X1.50-SHCS	(2) CL-6250-SLFK

CARR LOCK® SYSTEM

SUBPLATE: CARBON STEEL
RECEIVER BUSHINGS: 4340 STEEL, HEAT TREATED RC 50-54, BLACK OXIDE FINISH

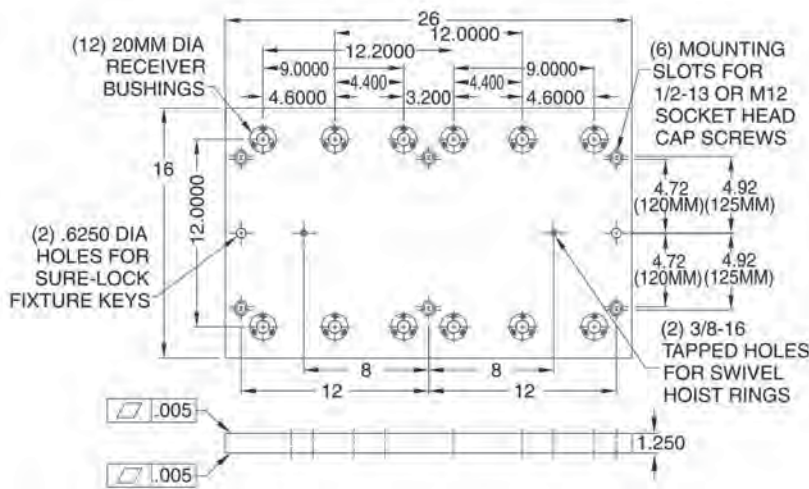


Version 00



Version 01

Carr Lock® Subplates 16 x 26 For HAAS® VF-1YT



Carr Lock® Subplates are precision-machined steel plates with Carr Lock Receiver Bushings installed in a standard pattern. These subplates serve as the foundation of an efficient quick-change fixturing system. The 16 x 26 subplates shown here have either (12) or (8) 20mm Face-Mount Receiver Bushings, depending on the version, to allow mounting a variety of Fixture Plates and vise plates.

Subplates should generally be large enough to cover most of the machine table, for maximum fixture flexibility, but should never extend beyond the machine table. For maximum quick-change benefits, subplates are usually left permanently on the machine table while only the mounted fixtures or vises are exchanged.

The Carr Lock® System is extremely accurate. All Receiver-Bushing installation holes are located $\pm .0002$ " from their primary reference hole. Clamping repeatability is $\pm .0005$ ", while bushing concentricity is $.0002$ " TIR. The resulting x/y-axis repeatability of a mounted fixture plate is $\pm .0028$ " considering all tolerance accumulation. Made in USA.

Carr Lock® System Kits

System Kits include everything you need to set up an efficient quick-change fixturing system. Kits include a Carr Lock® subplate, one or more Carr Lock® Fixture Plates, plus all required Carr Lock® Clamps and subplate-mounting components (Sure-Lock™ Fixture Keys, T Nuts, and Socket-Head Cap Screws).



CARR LOCK® SUBPLATES

PART NO.	FOR MACHINE	SUBPLATE SIZE	SUBPLATE THICKNESS	ACCEPTS CARR LOCK® FIXTURE PLATES	REQUIRES CARR LOCK® CLAMPS
CL-1626-00-CLSP	HAAS® VF-2	16 X 26	1.250	12 X 14	(8) CL-20-CLC-0.75
				14 X 14	(4) CL-20-CLC-0.75
				400 x 400mm	(4) CL-20-CLC-0.75
				16 X 20	(4) CL-20-CLC-0.75
CL-1626-01-CLSP				Jigsaw	(6) CL-20-CLC-0.75

CARR LOCK® SYSTEM KITS

PART NO.	SYSTEM KIT INCLUDES					
	CARR LOCK® SUBPLATES 16 x 26	CARR LOCK® FIXTURE PLATES 12 x 14	CARR LOCK® CLAMPS 20mm	T NUTS 5/8	SOCKET-HEAD CAP SCREWS 1/2-13	SURE-LOCK™ FIXTURE KEYS 5/8
CL-1626-00-CLSK	(1) CL-1626-00-CLSP	(2) CL-1214-00-CLFP	(8) CL-20-CLC-0.75	(6) CL-2-TN	(6) CL-1/2-13X1.50-SHCS	(2) CL-6250-SLFK
CL-1626-01-CLSK	(1) CL-1626-01-CLSP	(2) CL-1016-01-CLFP	(6) CL-20-CLC-0.75	(6) CL-2-TN	(6) CL-1/2-13X1.50-SHCS	(2) CL-6250-SLFK

CARR LOCK® SYSTEM

SUBPLATE: CARBON STEEL
RECEIVER BUSHINGS: 4340 STEEL, HEAT TREATED RC 50-54, BLACK OXIDE FINISH

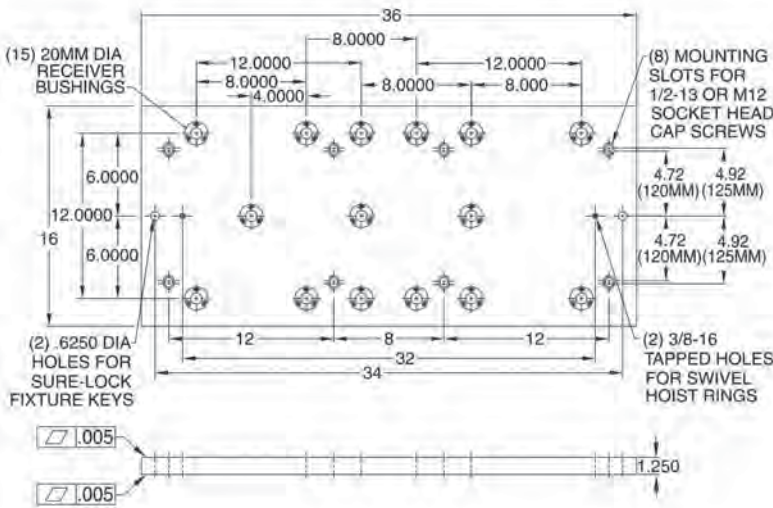


**Carr Lock® Subplate
16 x 36
For HAAS® VF-2YT**

Carr Lock® Subplates are precision-machined steel plates with Carr Lock® Receiver Bushings installed in a standard pattern. These subplates serve as the foundation of an efficient quick-change fixturing system. The 16 x 36 subplate shown here has (15) 20mm Face-Mount Receiver Bushings to allow mounting a variety of fixture plates and vise plates.

Subplates should generally be large enough to cover most of the machine table, for maximum fixture flexibility, but should never extend beyond the machine table. For maximum quick-change benefits, subplates are usually left permanently on the machine table while only the mounted fixtures or vises are exchanged.

The Carr Lock® System is extremely accurate. All Receiver-Bushing installation holes are located +/- .0002" from their primary reference hole. Clamping repeatability is +/- .0005", while bushing concentricity is .0002" TIR. The resulting x/y-axis repeatability of a mounted fixture plate is +/- .0028" considering all tolerance accumulation. Made in USA.



Carr Lock® System Kits

System Kits include everything you need to set up an efficient quick-change fixturing system. Kits include a Carr Lock® subplate, one or more Carr Lock® Fixture Plates, plus all required Carr Lock® Clamps and subplate-mounting components (Sure-Lock™ Fixture Keys, T Nuts, and Socket-Head Cap Screws).

CARR LOCK® SUBPLATES

PART NO.	FOR MACHINE	SUBPLATE SIZE	SUBPLATE THICKNESS	ACCEPTS CARR LOCK® FIXTURE PLATES		REQUIRES CARR LOCK® CLAMPS
CL-1636-01-CLSP	HAAS® VF-2YT	16 X 36	1.250	14 X 14	(2) CL-1414-00-CLFP	(8) CL-20-CLC-0.75
				400 x 400mm	(2) CL-400400-00-CLFP	(8) CL-20-CLC-0.75
				16 x 20	(1) CL-1620-00-CLFP	(4) CL-20-CLC-0.75
				Jigsaw	(3) CL-1016-01-CLFP	(9) CL-20-CLC-0.75

CARR LOCK® SYSTEM KITS

PART NO.	SYSTEM KIT INCLUDES					
	CARR LOCK® SUBPLATE 16 x 36	CARR LOCK® FIXTURE PLATE 14 x 14	CARR LOCK® CLAMPS 20mm	T NUTS 5/8	SOCKET-HEAD CAP SCREWS 1/2-13	SURE-LOCK™ FIXTURE KEYS 5/8
CL-1636-00-CLSK	(1) CL-1636-01-CLSP	(2) CL-1414-00-CLFP	(8) CL-20-CLC-0.75	(8) CL-2-TN	(8) CL-1/2-13X1.50-SHCS	(2) CL-6250-SLFK
CL-1636-01-CLSK	(1) CL-1636-01-CLSP	(3) CL-1016-01-CLFP	(9) CL-20-CLC-0.75	(8) CL-2-TN	(8) CL-1/2-13X1.50-SHCS	(2) CL-6250-SLFK

CARR LOCK® SYSTEM

SUBPLATE: CARBON STEEL
RECEIVER BUSHINGS: 4340 STEEL, HEAT TREATED RC 50-54, BLACK OXIDE FINISH

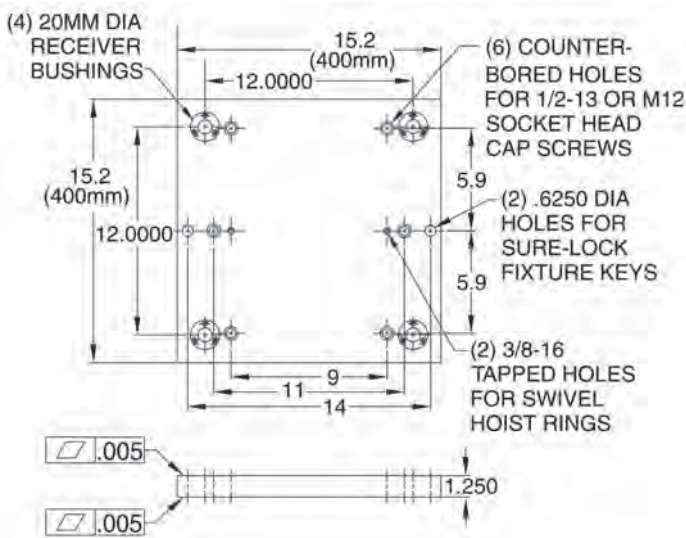


**Carr Lock® Subplate
400 x 400mm**

Carr Lock® Subplates are precision-machined steel plates with Carr Lock® Receiver Bushings installed in a standard pattern. These subplates serve as the foundation of an efficient quick-change fixturing system. The 400 x 400mm subplate shown here has (4) 20mm Face-Mount Receiver Bushings for mounting fixture plates.

Subplates should generally be large enough to cover most of the machine table, for maximum fixture flexibility, but should never extend beyond the machine table. For maximum quick-change benefits, subplates are usually left permanently on the machine table while only the mounted fixtures or vises are exchanged.

The Carr Lock® System is extremely accurate. All Receiver-Bushing installation holes are located $\pm .0002$ " from their primary reference hole. Clamping repeatability is $\pm .0005$ ", while bushing concentricity is $.0002$ " TIR. The resulting x/y-axis repeatability of a mounted fixture plate is $\pm .0028$ " considering all tolerance accumulation. Made in USA.



Carr Lock® System Kits

System Kits include everything you need to set up an efficient quick-change fixturing system. Kits include a Carr Lock® subplate, one or more Carr Lock® Fixture Plates, plus all required Carr Lock® Clamps and subplate-mounting components (Sure-Lock™ Fixture Keys, T Nuts, and Socket-Head Cap Screws).

CARR LOCK® SUBPLATE

PART NO.	FOR MACHINE	SUBPLATE SIZE	SUBPLATE THICKNESS	ACCEPTS CARR LOCK® FIXTURE PLATES		REQUIRES CARR LOCK® CLAMPS
				400 x 400mm	14 X 14	(4) CL-20-CLC-0.75
CL-400400-00-CLSP	Various	400 x 400mm	1.250	(1) CL-1214-00-CLFP	(1) CL-1414-00-CLFP	(4) CL-20-CLC-0.75

CARR LOCK® SYSTEM KIT

PART NO.	SYSTEM KIT INCLUDES					
	CARR LOCK® SUBPLATE 400 x 400mm	CARR LOCK® FIXTURE PLATE 400 x 400mm	CARR LOCK® CLAMPS 20mm	T NUTS 5/8	SOCKET-HEAD CAP SCREWS 1/2-13	SURE-LOCK™ FIXTURE KEYS 5/8
CL-400400-00-CLSK	(1) CL-400400-00-CLSP	(1) CL-400400-00-CLFP	(4) CL-20-CLC-0.75	(6) CL-2-TN	(6) CL-1/2-13X1.50-SHCS	(2) CL-6250-SLFK

CARR LOCK® SYSTEM

SUBPLATE: CARBON STEEL
RECEIVER BUSHINGS: 4340 STEEL, HEAT TREATED RC 50-54, BLACK OXIDE FINISH

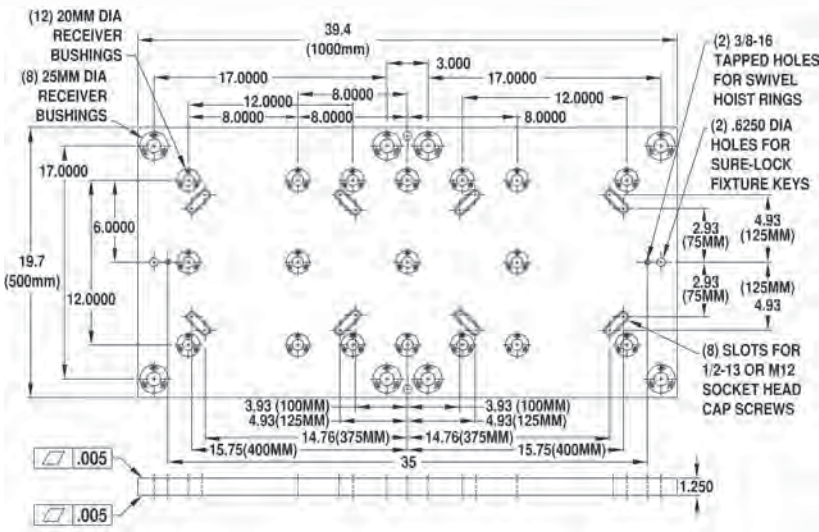


**Carr Lock® Subplate
500 x 1000mm**

Carr Lock® Subplates are precision-machined steel plates with Carr Lock® Receiver Bushings installed in a standard pattern. These subplates serve as the foundation of an efficient quick-change fixturing system. The 500 x 1000mm subplate shown here has (18) 20mm and (8) 25mm Face-Mount Receiver Bushings to allow mounting a variety of fixture plates and vise plates.

Subplates should generally be large enough to cover most of the machine table, for maximum fixture flexibility, but should never extend beyond the machine table. For maximum quick-change benefits, subplates are usually left permanently on the machine table while only the mounted fixtures or vises are exchanged.

The Carr Lock® System is extremely accurate. All Receiver-Bushing installation holes are located +/- .0002" from their primary reference hole. Clamping repeatability is +/- .0005", while bushing concentricity is .0002" TIR. The resulting x/y-axis repeatability of a mounted fixture plate is +/- .0028" considering all tolerance accumulation. Made in USA.



Carr Lock® System Kits

System Kits include everything you need to set up an efficient quick-change fixturing system. Kits include a Carr Lock® subplate, one or more Carr Lock® Fixture Plates, plus all required Carr Lock® Clamps and subplate-mounting components (Sure-Lock™ Fixture Keys, T Nuts, and Socket-Head Cap Screws).

CARR LOCK® SUBPLATE

PART NO.	FOR MACHINE	SUBPLATE SIZE	SUBPLATE THICKNESS	ACCEPTS CARR LOCK® FIXTURE PLATES		REQUIRES CARR LOCK® CLAMPS
CL-5001000-01-CLSP	Various	500 x 1000mm	1.250	14 X 14	(2) CL-1414-00-CLFP	(8) CL-20-CLC-0.75
				400 x 400mm	(2) CL-400400-00-CLFP	(8) CL-20-CLC-0.75
				16 x 20	(1) CL-1620-00-CLFP	(4) CL-20-CLC-0.75
				500 x 500mm	(2) CL-500500-00-CLFP	(8) CL-25-CLC-1.00
				Jigsaw	(3) CL-1016-01-CLFP	(12) CL-20-CLC-0.75

CARR LOCK® SYSTEM KITS

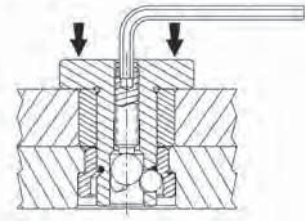
PART NO.	SYSTEM KIT INCLUDES					
	CARR LOCK® SUBPLATES 14 x 26	CARR LOCK® FIXTURE PLATES 12 x 14	CARR LOCK® CLAMPS 20mm	T NUTS 5/8	SOCKET-HEAD CAP SCREWS 1/2-13	SURE-LOCK™ FIXTURE KEYS 5/8
CL-5001000-00-CLSK	(1) CL-5001000-01-CLSP	(2) CL-1414-00-CLFP	(8) CL-20-CLC-0.75	(8) CL-3-TN	(8) CL-1/2-13X1.50-SHCS	(2) CL-18-SLFK
CL-5001000-01-CLSK	(1) CL-5001000-01-CLSP	(2) CL-400400-00-CLFP	(8) CL-20-CLC-0.75	(8) CL-3-TN	(8) CL-1/2-13X1.50-SHCS	(2) CL-18-SLFK
CL-5001000-02-CLSK	(1) CL-5001000-01-CLSP	(2) CL-500500-00-CLFP	(8) CL-25-CLC-1.00	(8) CL-3-TN	(8) CL-1/2-13X1.50-SHCS	(2) CL-18-SLFK
CL-5001000-03-CLSK	(1) CL-5001000-01-CLSP	(4) CL-1016-01-CLFP	(12) CL-20-CLC-0.75	(8) CL-3-TN	(8) CL-1/2-13X1.50-SHCS	(2) CL-18-SLFK

CARR LOCK® SYSTEM

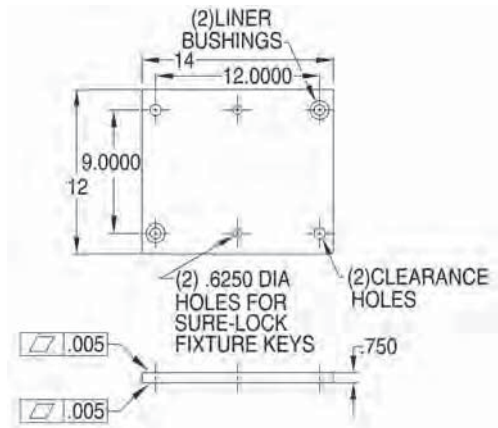
FIXTURE PLATE: MIC-6 PRECISION-MACHINED CAST ALUMINUM
 LINER BUSHINGS: 1144 STEEL, HEAT TREATED RC 58-64, BLACK OXIDE FINISH

Carr Lock® Fixture Plates

Carr Lock® Fixture Plates are precision-machined MIC-6 cast aluminum plates available in a wide range of standard sizes to use as a base for building quick-change fixtures. To fasten the Carr Lock® Fixture Plate to a subplate, begin by inserting a Carr Lock® Clamp into each of the four corner holes. Next, fully tighten the clamps one at a time – first the clamp in the primary liner bushing, then the clamp in the secondary liner bushing, then the clamps in the clearance holes. Made in USA.



**Carr Lock®
 Fixture Plate
 12 x 14**



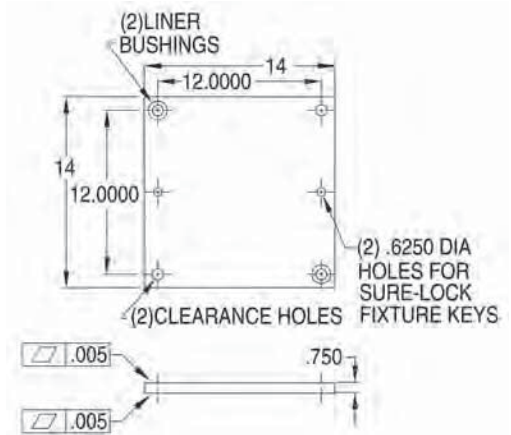
These 12 x 14 fixture plates have four 20mm mounting holes – a primary liner, a secondary liner, and two clearance holes. They also have two fixture-key holes for conventional mounting directly on a slotted machine table using Sure-Lock™ Fixture Keys.

CARR LOCK® FIXTURE PLATE — 12 X 14

PART NO.	PLATE SIZE	PLATE THICKNESS	REQUIRES CARR LOCK® CLAMPS	CARR LOCK® CLAMP SPACING
CL-1214-00-CLFP	12 X 14	.750	(4) CL-25-CLC-0.75	9 X 12



**Carr Lock®
 Fixture Plate
 14 x 14**



These 14 x 14 fixture plates have four 20mm mounting holes – a primary liner, a secondary liner, and two clearance holes. They also have two fixture-key holes for conventional mounting directly on a slotted machine table using Sure-Lock™ Fixture Keys.

CARR LOCK® FIXTURE PLATE — 14 X 14

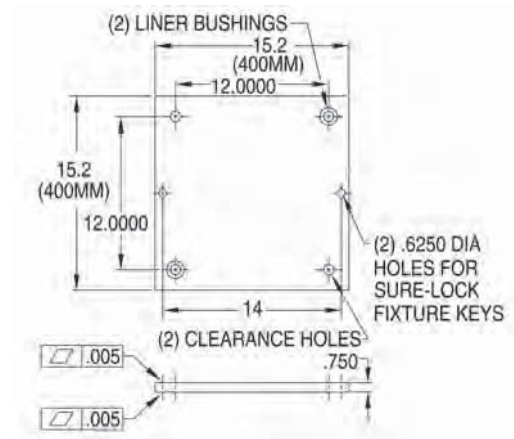
PART NO.	PLATE SIZE	PLATE THICKNESS	REQUIRES CARR LOCK® CLAMPS	CARR LOCK® CLAMP SPACING
CL-1414-00-CLFP	14 X 14	.750	(3) CL-20-CLC-0.75	12 X 12

CARR LOCK® SYSTEM

FIXTURE PLATE: MIC-6 PRECISION-MACHINED CAST ALUMINUM
 LINER BUSHINGS: 1144 STEEL, HEAT TREATED RC 58-64, BLACK OXIDE FINISH



**Carr Lock®
 Fixture Plate
 400 x 400mm**



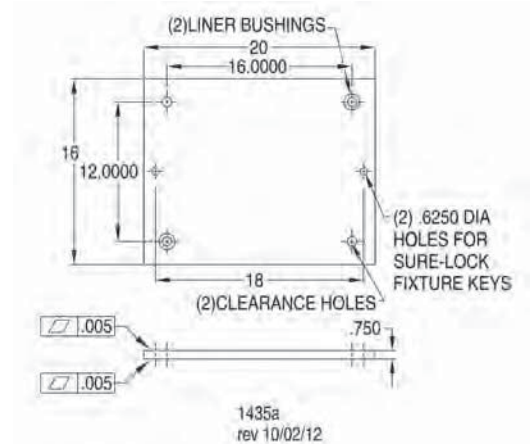
CARR LOCK® FIXTURE PLATE — 400 x 400mm

PART NO.	PLATE SIZE	PLATE THICKNESS	REQUIRES CARR LOCK® CLAMPS	CARR LOCK® CLAMP SPACING
CL-400400-00-CLFP	400 x 400	.750	(4) CL-20-CLC-0.75	12 X 12

These 400 x 400mm fixture plates have four 20mm mounting holes – a primary liner, a secondary liner, and two clearance holes. They also have two fixture-key holes for conventional mounting directly on a slotted machine table using Sure-Lock™ Fixture Keys.



**Carr Lock®
 Fixture Plate
 16 x 20**



CARR LOCK® FIXTURE PLATE — 16 x 20

PART NO.	PLATE SIZE	PLATE THICKNESS	REQUIRES CARR LOCK® CLAMPS	CARR LOCK® CLAMP SPACING
CL-1620-00-CLFP	16 x 20	.750	(4) CL-20-CLC-0.75	12 X 16

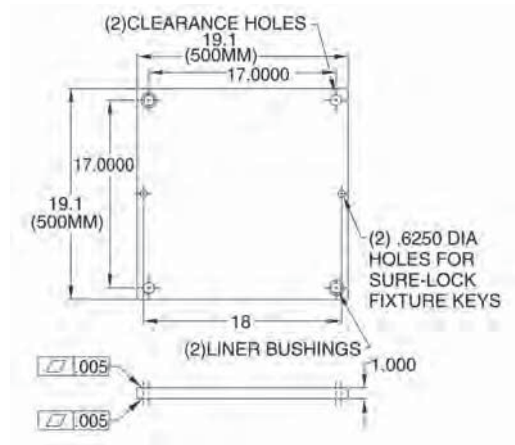
These 16 x 20 fixture plates have four 20mm mounting holes – a primary liner, a secondary liner, and two clearance holes. They also have two fixture-key holes for conventional mounting directly on a slotted machine table using Sure-Lock™ Fixture Keys.

CARR LOCK® SYSTEM

FIXTURE PLATE: MIC-6 PRECISION-MACHINED CAST ALUMINUM
 LINER BUSHINGS: 1144 STEEL, HEAT TREATED RC 58-64, BLACK OXIDE FINISH



**Carr Lock®
 Fixture Plate
 500 x 500mm**



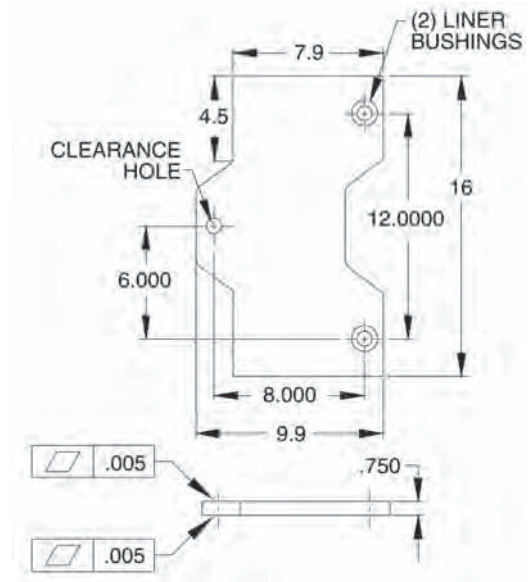
These 500 x 500mm fixture plates have four 25mm mounting holes – a primary liner, a secondary liner, and two clearance holes. They also have two fixture-key holes for conventional mounting directly on a slotted machine table using Sure-Lock™ Fixture Keys.

CARR LOCK® FIXTURE PLATE — 500 x 500mm

PART NO.	PLATE SIZE	PLATE THICKNESS	REQUIRES CARR LOCK® CLAMPS	CARR LOCK® CLAMP SPACING
CL-500500-00-CLFP	500x500	1.000"	(4) CL-25-CLC-1.000	17x17



**Carr Lock®
 Jigsaw Vise Plate
 10 x 16**

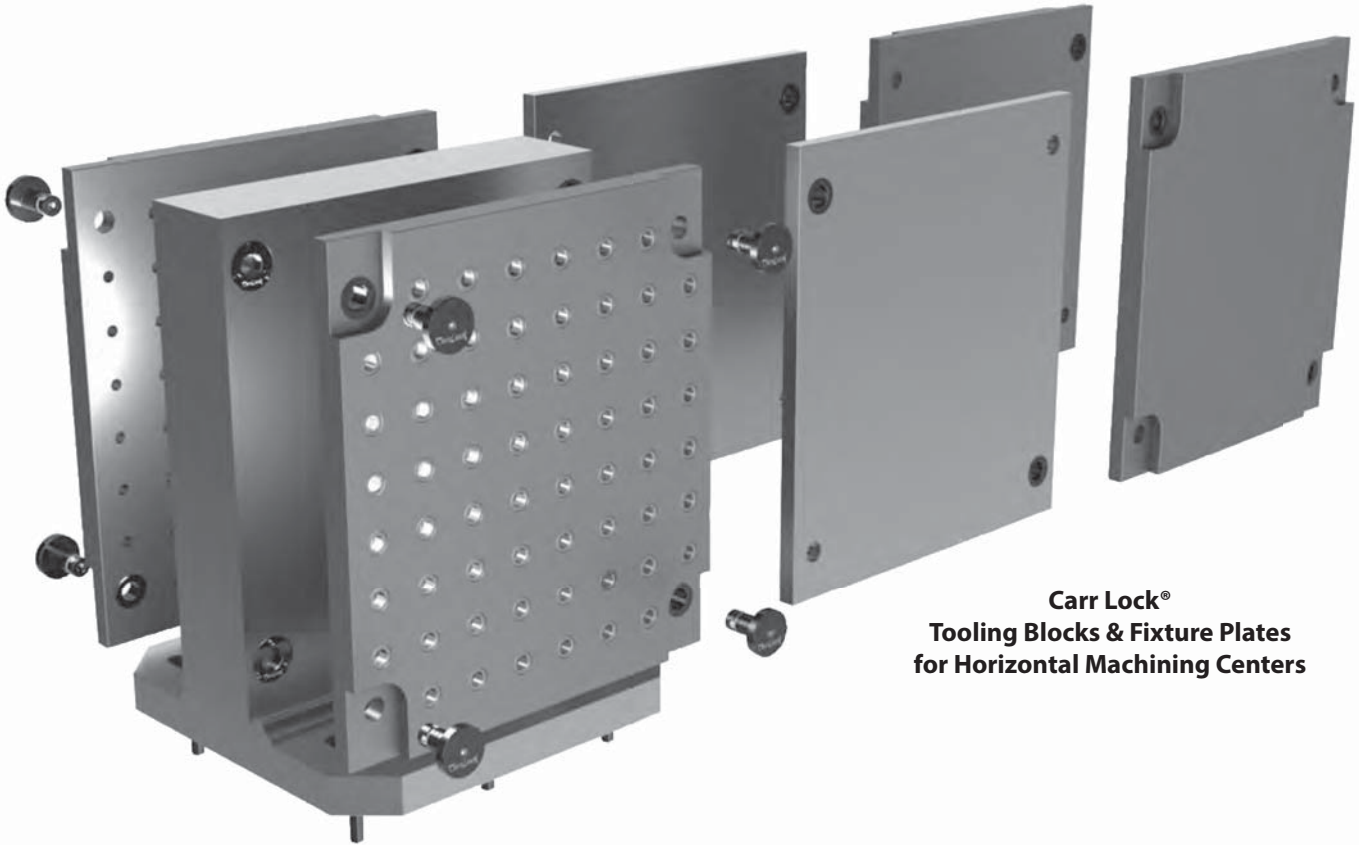


Jigsaw Vise Plates have an interlocking design to allow mounting vises and other narrow fixtures close together. These 10 x 16 plates have three 20mm mounting holes – a primary liner, a secondary liner, and a clearance hole.

CARR LOCK® JIGSAW VISE PLATE — 10 x 16

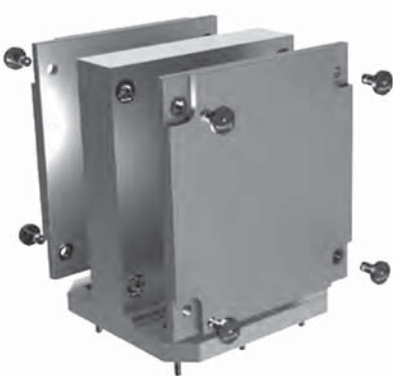
PART NO.	PLATE SIZE	PLATE THICKNESS	REQUIRES CARR LOCK® CLAMPS	CARR LOCK® CLAMP SPACING
CL-1016-01-CLFP	10 x 16	.750	(3) CL-20-CLC-0.75	8 x 12

CARR LOCK® SYSTEM

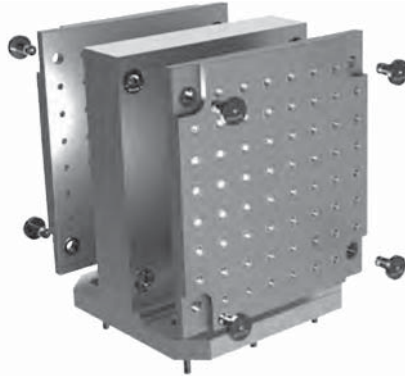


**Carr Lock®
Tooling Blocks & Fixture Plates
for Horizontal Machining Centers**

9 Carr Lock® Tooling Blocks have four Receiver Bushings installed in each face for accurately mounting Carr Lock® Fixture Plates. These precision tooling blocks serve as the foundation of an efficient quick-change fixturing system for horizontal machining centers. We offer three types of blank and modular fixture plates to fit these tooling blocks, as shown below. The Carr Lock® System is extremely accurate. All Receiver-Bushing installation holes are located ± 0.0002 " from their primary reference hole. Clamping repeatability is ± 0.0005 ", while bushing concentricity is $.0002$ " TIR. The resulting x/y-axis repeatability of a mounted fixture plate is ± 0.0028 " considering all tolerance accumulation. Carr Lock® Tooling Blocks are available to fit standard 400 and 500mm pallet sizes, with universal mounting holes to fit almost any inch or metric slot spacing. Made in USA.



**Blank Fixture Plates
(Steel)**



**Modular Fixture Plates
(Steel)**



**Blank Fixture/Vise Plates
(Aluminum)**

CARR LOCK® SYSTEM

BLOCK: A713 TENZALOY ALUMINUM ALLOY, AGED TO T-6 CONDITION
 RECEIVER BUSHINGS: 4340 STEEL, HEAT TREATED RC 50-54, BLACK OXIDE FINISH

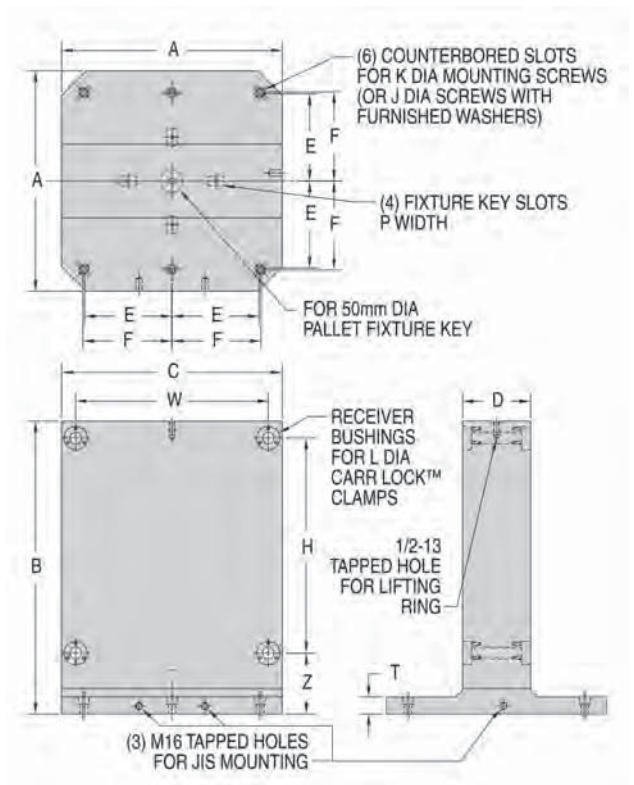


**Carr Lock®
Two-Sided
Tooling Blocks**

Carr Lock® Two-Sided Tooling Blocks have four Receiver Bushings installed in each face for accurately mounting Carr Lock® Fixture Plates. These precision tooling blocks serve as the foundation of an efficient quick-change fixturing system for horizontal machining centers. INFO+: We offer three types of blank and modular fixture plates to fit these tooling blocks, shown on page 340.

The Carr Lock® System is extremely accurate. All Receiver-Bushing installation holes are located $\pm .0002$ " from their primary reference hole. Clamping repeatability is $\pm .0005$ ", while bushing concentricity is $.0002$ " TIR. The resulting x/y-axis repeatability of a mounted fixture plate is $\pm .0028$ " considering all tolerance accumulation.

Carr Lock® Tooling Blocks are available to fit standard 400 and 500mm pallet sizes, with universal mounting holes to fit almost any inch or metric slot spacing. Dual mounting capability allows both JIS mounting (locating from two reference edges) and DIN mounting (locating from a center hole and radial slots) with excellent accuracy. One-piece cast aluminum alloy construction provides superior accuracy, dimensional stability, and vibration dampening. Made in USA.



CARR LOCK® TOOLING BLOCKS

PART NO.	PALLET SIZE	A	B	C	D	E	F	H	J	K	L DIA	P	T	W	Z
CL-400400-00-TSTB	400mm	15.75	20-7/8	15.75	4.000	5.91 (150mm)	6.30 (160mm)	14.0000	1/2-13 (M12)	5/8-11 (M16)	20mm	13/16	1-1/2	14.0000	4.8750
CL-500500-00-TSTB	500mm	19.69	22	19.69	6.000	7.87 (200mm)	8.00 (203mm)	19.0000	1/2-13 (M12)	5/8-11 (M16)	25mm	13/16	1-1/2	17.0000	5.3750

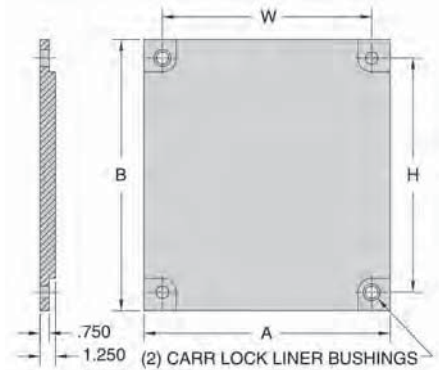
CARR LOCK® SYSTEM

FIXTURE PLATE: CARBON STEEL OR MIC-6 CAST ALUMINUM
 LINER BUSHINGS: 1144 STEEL, HEAT TREATED RC 58-64, BLACK OXIDE FINISH



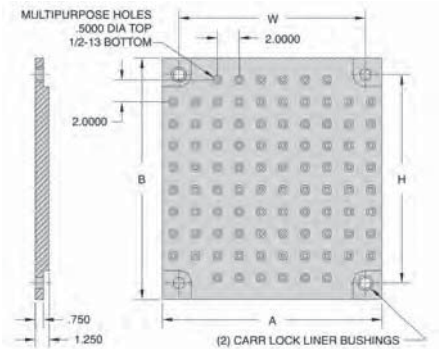
Blank Fixture Plates (Steel)

Carr Lock® Blank Fixture Plates provide an excellent base for most dedicated fixtures. These 1.250"-thick steel plates provide sufficient depth for tapping and other machining required to mount fixture components, while also providing excellent rigidity. Each fixture plate has four mounting holes for Carr Lock® Clamps – two with liner bushings for fastening with accurate location, the other two for fastening only. Made in USA.



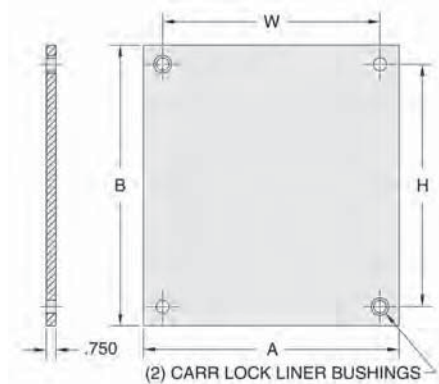
Modular Fixture Plates (Steel)

Carr Lock® Modular Fixture Plates are identical to the Blank Fixture Plates shown above, except with added multipurpose mounting holes in a standard 2" grid pattern. Every multipurpose hole has a .5000"-diameter precision alignment bushing on top, with a 1/2-13 thread below it. Multipurpose holes accept Locating Screws (with a ground locating diameter), Socket-Head Cap Screws, clamping studs, and many other threaded components. Made in USA.



Blank Fixture/Vise Plates (Aluminum)

Carr Lock® Blank Fixture/Vise Plates are ideal for mounting vises or existing fixtures on a Carr Lock® Tooling Block. These lightweight, .750"-thick plates are machined from MIC-6 cast aluminum alloy. Made in USA.



CARR LOCK® FIXTURE PLATES

PLATE TYPE	PART NO.	PALLET SIZE	A	B	H	W	REQUIRES CARR LOCK® CLAMPS (4) PER PLATE	MOUNTS ON CARR LOCK® TOOLING BLOCK
BLANK FIXTURE PLATE (STEEL)	CL-410460-01-CLFP	400mm	16.25	18	14	14	CL-20-CLC-0.75	CL-400400-00-TSTB
	CL-510560-01-CLFP	500mm	20	22	19	17	CL-25-CLC-0.75	CL-500500-00-TSTB
MODULAR FIXTURE PLATE (STEEL)	CL-410460-40-CLFP	400mm	16.25	18	14	14	CL-20-CLC-0.75	CL-400400-00-TSTB
	CL-510560-40-CLFP	500mm	20	22	19	17	CL-25-CLC-0.75	CL-500500-00-TSTB
BLANK FIXTURE/VISE PLATE (ALUMINUM)	CL-410460-00-CLFP	400mm	16.25	18	14	14	CL-20-CLC-0.75	CL-400400-00-TSTB
	CL-510560-00-CLFP	500mm	20	22	19	17	CL-25-CLC-0.75	CL-500500-00-TSTB

CARR LOCK® SYSTEM

FIXTURE MACHINING KITS



Carr Lock® Fixture Machining Kits are extremely useful for machining a fixture using its Carr Lock® mounting holes as an absolute reference. The kit consists of four extra-long Carr Lock® Clamps, used together with four precision-height spacers, providing ample clearance underneath the fixture plate to allow through-hole machining without damaging the subplate. The kit also includes an extra four spacers to use as additional supports under large plates, all in a handy carrying case. Made in USA.

FIXTURE MACHINING KITS

PART NO.	CARR LOCK® CLAMP DIAMETER	FOR FIXTURE-PLATE THICKNESS	SPACER HEIGHT	SPACER OD
CL-20-CLMK-0.75	20mm	.750	.500	1-3/4
CL-25-CLMK-0.75	25mm	.750	.750	2
CL-25-CLMK-1.00		1.000	.500	2

PRESET TORQUE WRENCHES



These handy Preset Torque Wrenches are designed to tighten Carr Lock® Clamps exactly to their maximum recommended torque, ensuring that maximum hold-down force is achieved without over-tightening. The wrench body shown here is used for the first three Carr Lock® Clamp sizes – 13mm, 16mm, and 20mm – each preset to the torque recommended for that size, and with the appropriate hex key. A slightly larger wrench body is used for the 25mm size. Torque accuracy is +/-10%.

PRESET TORQUE WRENCHES

PART NO.	FOR CARR LOCK® CLAMP DIA	PRESET TORQUE (FT-LBS)	HEX KEY SIZE	HANDLE LENGTH	HANDLE WIDTH
CL-13-CLTW	13mm	1.0	3/32	3.54	1.40
CL-16-CLTW	16mm	2.0	1/8		
CL-20-CLTW	20mm	3.0	1/8		
CL-25-CLTW	25mm	7.0	5/32	7.50	1.67

PROTECTION PLUGS



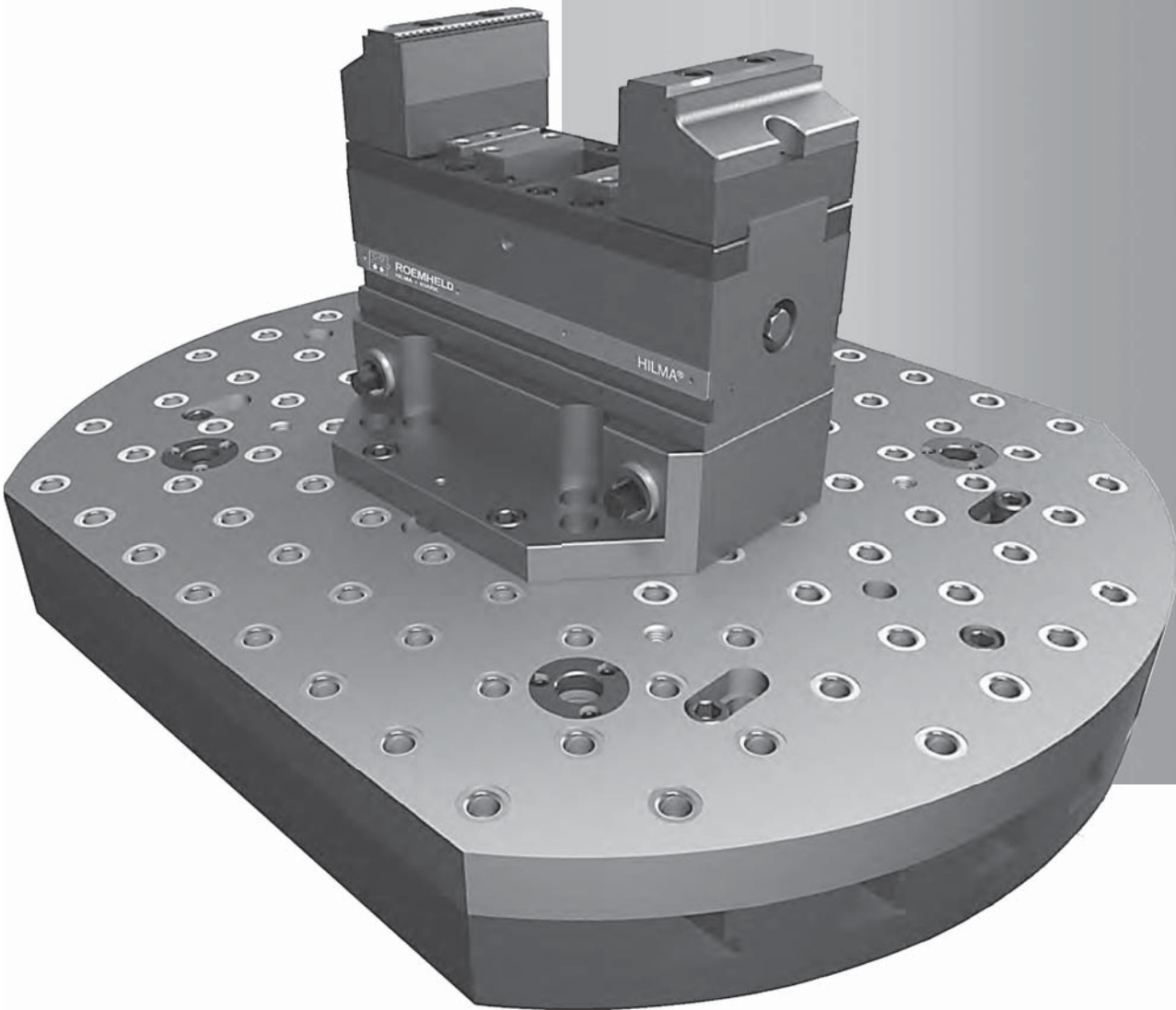
Protection plugs are extremely useful to keep chips and debris from entering unused receiver bushings in a subplate. These durable plastic plugs fit snugly in the receiver hole, yet can be easily removed.

PROTECTION PLUGS

PART NO.	FOR CARR LOCK® RECEIVER DIA.
CL-13-CLPP	13mm
CL-16-CLPP	16mm
CL-20-CLPP	20mm
CL-25-CLPP	25mm
CL-30-CLPP	30mm

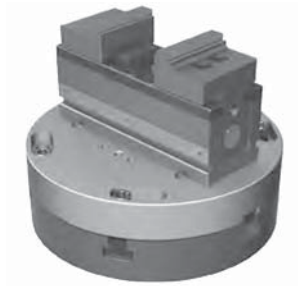


QUICK-CHANGE 5-AXIS WORKHOLDING



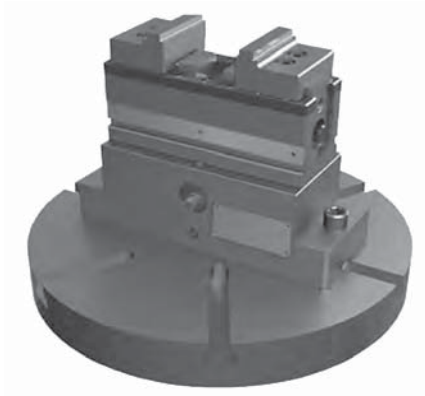
CL5® QUICK-CHANGE 5-AXIS WORKHOLDING

SOLUTIONS FOR ALL SIZES OF ROTARY TABLES



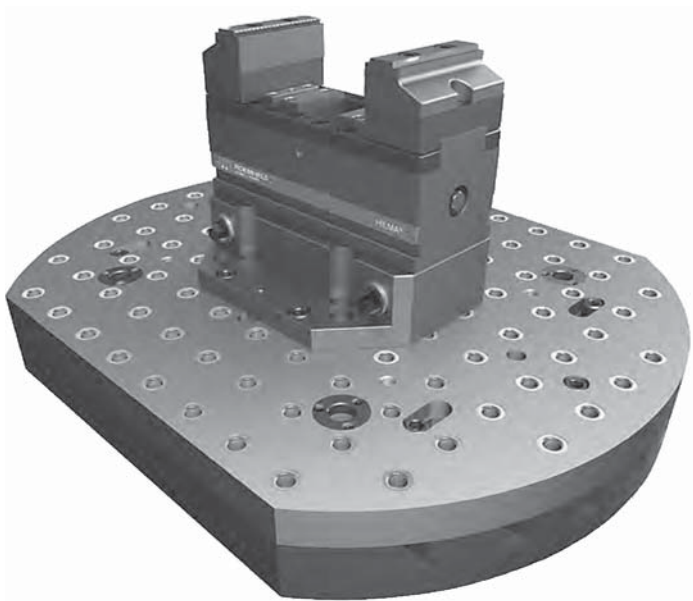
METHOD 1 Fixture Plate Mounted on Rotary Table

Method 1 is ideal for small rotary tables up to 210mm diameter, but can also be used for larger tables up to 400mm diameter. These fixture plates are accurately located and fastened directly on the rotary table. This simple, economical method allows using 5-Axis Vises, modular fixturing, or dedicated permanent fixturing.



METHOD 2 Quintus Quick-Change Riser Mounted on Rotary Table

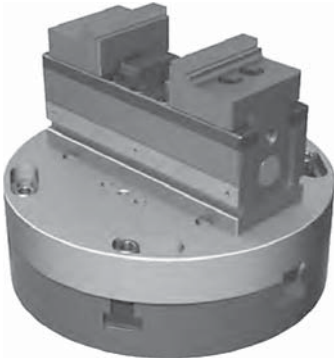
Method 2 utilizes our Quintus Quick-Change Risers to achieve full quick-change fixturing benefits on rotary tables 250mm diameter and larger. A Quintus Quick-Change Riser provides additional height for spindle clearance, and can be quickly and accurately mounted directly on the rotary table at its center.



METHOD 3 Subplate Mounted on Rotary Table

Method 3 is appropriate for medium and large machine tables, achieving further quick-change benefits for the entire riser assembly. Using this method, the Quintus riser is mounted on a subplate to allow quick exchange of the riser with other fixturing.

CL5® QUICK-CHANGE 5-AXIS WORKHOLDING



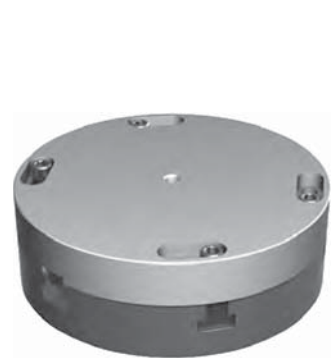
Vise-Adaptor Fixture Plate with 5-Axis Vise



Modular Fixture Plate



Modular Fixture Plate with Riser Block



Blank Fixture Plate

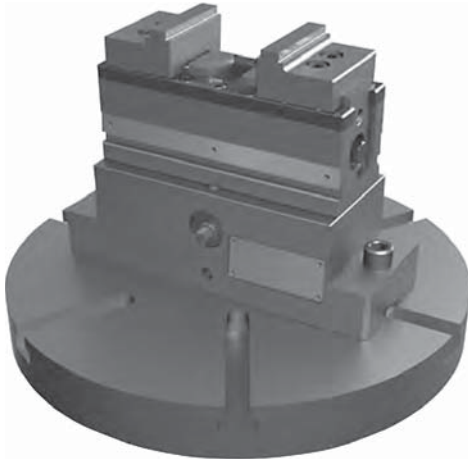
Method 1 is ideal for small rotary tables up to 210mm diameter, but can also be used for larger tables up to 400mm diameter. These fixture plates are accurately located and fastened directly on the rotary table. This simple, economical method allows using 5-Axis Vises, modular fixturing, or dedicated permanent fixturing. **INFO+**: See pages 355-360 for fixture plates.

METHOD 1

FIXTURE PLATE MOUNTED ON ROTARY TABLE

BASE OPTIONS	BASE SIZE	WORKHOLDER OPTIONS	FITS TABLE DIAMETER															
			110mm	130mm	160mm	200mm	210mm	250mm	260mm	300mm	310mm	320mm	400mm	450mm	500mm	500mm	600mm	630mm
Vise Adaptor Plate with 5-Axis Vise	130mm	MC40, MC40Z Vises	✓	✓														
	160mm	MC40, MC40Z, MC60, MC60Z, SCS80 Vises			✓													
	210mm	MC40, MC40Z, MC60, MC60Z, SCS80 Vises				✓	✓	✓	✓									
	310mm	MC60, MC60Z, SCS80, MC100, MC100Z, SCS120 Vises								✓	✓	✓	✓					
Modular Fixture Plate	130mm	Custom	✓	✓														
	160mm				✓													
	210mm					✓	✓											
	250mm							✓	✓									
	310mm										✓	✓	✓	✓				
Modular Fixture Plate with Riser Block	130mm	Custom	✓	✓														
	160mm	Custom			✓													
	210mm	Custom				✓	✓											
	250mm	MC60, MC60Z, SCS80 Vises or Custom						✓	✓									
	310mm	MC60, MC60Z, SCS80, MC100, MC100Z, SCS120 Vises or Custom								✓	✓	✓	✓					
Blank Fixture Plate	130mm	Custom	✓	✓														
	160mm				✓													
	210mm					✓	✓											
	250mm							✓	✓									
	310mm										✓	✓	✓	✓				

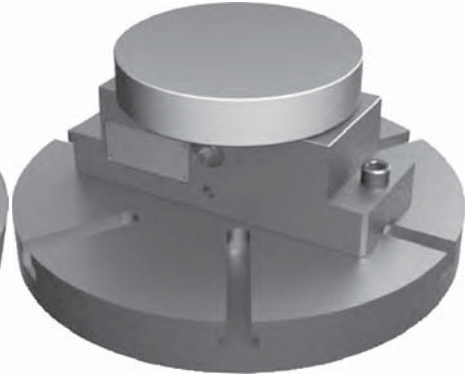
CL5® QUICK-CHANGE 5-AXIS WORKHOLDING



**Quintus Riser
with
5-Axis Vise**



**Quintus Riser
with
Modular Fixture Plate**



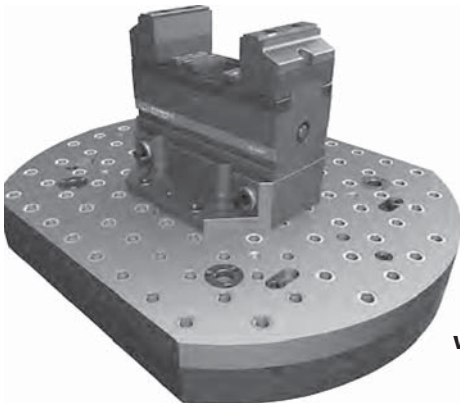
**Quintus Riser
with
Blank Fixture Plate**

Method 2 utilizes our Quintus Quick-Change Risers to achieve full quick-change fixturing benefits on rotary tables 250mm diameter and larger. A Quintus Quick-Change Riser provides additional height for spindle clearance, and can be quickly and accurately mounted directly on the rotary table at its center. **INFO+**: See pages 347-349 for Quintus fixture plates.

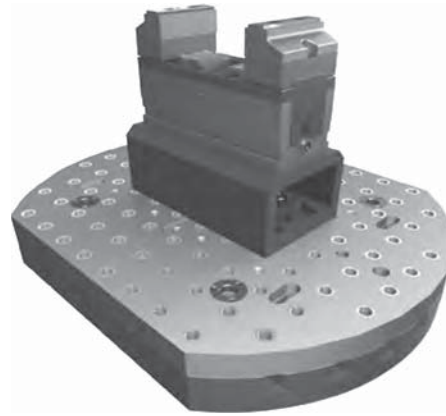
METHOD 2 QUINTUS MOUNTED ON ROTARY TABLE

BASE OPTIONS	BASE SIZE	WORKHOLDER OPTIONS	FITS TABLE DIAMETER																
			110mm	130mm	160mm	200mm	210mm	250mm	260mm	300mm	310mm	320mm	400mm	450mm	500mm	500mm	600mm	630mm	
Quintus Riser with 5-Axis Vise	Quintus 1	MC40, MC40Z, MC60, MC60Z, SCS80 Vises							✓	✓	✓	✓	✓	✓	✓	✓	✓	✓	
	Quintus 2	MC100, MC100Z, SCS120 Vises								✓	✓	✓	✓	✓	✓	✓	✓	✓	
	Quintus 3	MC125Z Vise										✓	✓	✓	✓	✓	✓	✓	
Quintus Riser with Modular Fixture Plate	Quintus 1 + 130mm	Custom							✓	✓	✓	✓	✓	✓	✓	✓	✓	✓	
	Quintus 1 + 160mm							✓	✓	✓	✓	✓	✓	✓	✓	✓	✓	✓	
	Quintus 1 + 100x250mm							✓	✓	✓	✓	✓	✓	✓	✓	✓	✓	✓	✓
	Quintus 1 + 150x250mm							✓	✓	✓	✓	✓	✓	✓	✓	✓	✓	✓	✓
Quintus Riser with Blank Fixture Plate	Quintus 2 + 250mm	Custom								✓	✓	✓	✓	✓	✓	✓	✓	✓	
	Quintus 1 + 130mm							✓	✓	✓	✓	✓	✓	✓	✓	✓	✓	✓	
	Quintus 1 + 160mm							✓	✓	✓	✓	✓	✓	✓	✓	✓	✓	✓	✓
	Quintus 1 + 100x250mm							✓	✓	✓	✓	✓	✓	✓	✓	✓	✓	✓	✓
Quintus Riser with Blank Fixture Plate	Quintus 1 + 150x250mm	Custom							✓	✓	✓	✓	✓	✓	✓	✓	✓	✓	
	Quintus 2 + 250mm										✓	✓	✓	✓	✓	✓	✓	✓	

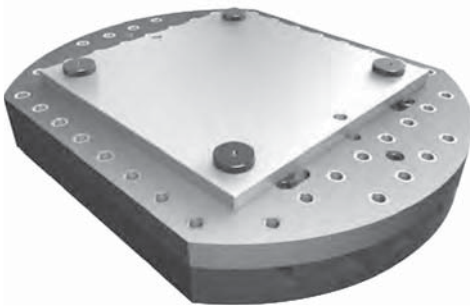
CL5® QUICK-CHANGE 5-AXIS WORKHOLDING



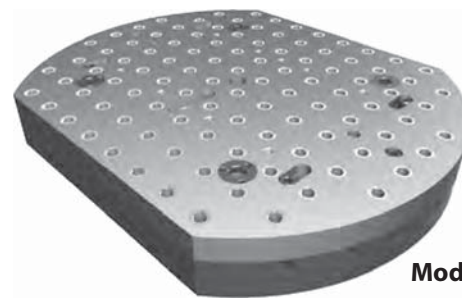
Subplate with Quintus Riser and 5-Axis Vise



Subplate with Riser Block



Subplate with Carr Lock Fixture Plate



Subplate used as Modular Fixture Plate

Method 3 is appropriate for medium and large machine tables, achieving further quick-change benefits for the entire riser assembly. Using this method, the Quintus riser is mounted on a subplate to allow quick exchange of the riser with other fixturing. **INFO+**: See pages 361-362 for subplates.

9 METHOD 3 SUBPLATE MOUNTED ON ROTARY TABLE

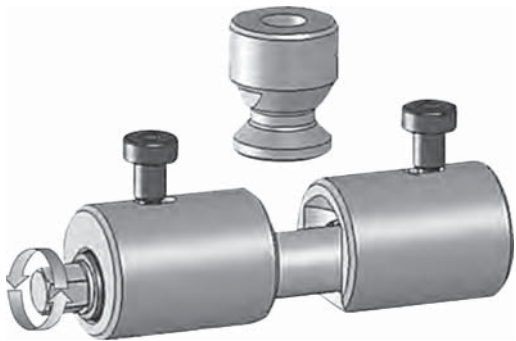
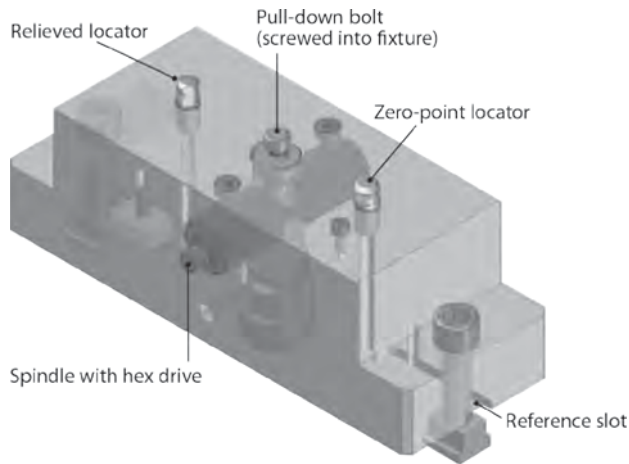
BASE OPTIONS	BASE SIZE	WORKHOLDER OPTIONS	FITS TABLE DIAMETER															
			110mm	130mm	160mm	200mm	210mm	250mm	260mm	300mm	310mm	320mm	400mm	450mm	500mm	500mm	600mm	630mm
Subplate with Quintus Riser and 5-Axis Vise	250mm + Quintus 1	MC40, MC40Z, MC60, MC60Z, SCS80 Vises or Custom						✓	✓									
	310mm + Quintus 1	MC40, MC40Z, MC60, MC60Z, SCS80 Vises or Custom								✓	✓	✓	✓					
	310mm + Quintus 2	MC100, MC100Z, SCS120 Vises or Custom								✓	✓	✓	✓					
	630x500mm + Quintus 1	MC40, MC40Z, MC60, MC60Z, SCS80 Vises or Custom															✓	✓
	630x500mm + Quintus 2	MC100, MC100Z, SCS120 Vises or Custom															✓	✓
	630x500mm + Quintus 3	MC125Z Vise or Custom														✓	✓	
Subplate with Riser Block	250mm	MC60, MC60Z, SCS80, Vises or Custom						✓	✓									
	310mm	MC60, MC60Z, SCS80, MC100, MC 100Z, SCS120 Vises or Custom								✓	✓	✓	✓					
	630x500mm	MC60, MC60Z, SCS80, MC100, MC 100Z, SCS120 Vises or Custom															✓	✓
Subplate with Carr Lock Plate	630x500mm	14x14, 400x400mm Carr Lock Fixture Plates															✓	✓
Subplate used as Modular Fixture Plate	250mm	Custom						✓	✓									
	310mm									✓	✓	✓	✓					
	630x500mm																	✓

CL5[®] QUICK-CHANGE 5-AXIS WORKHOLDING

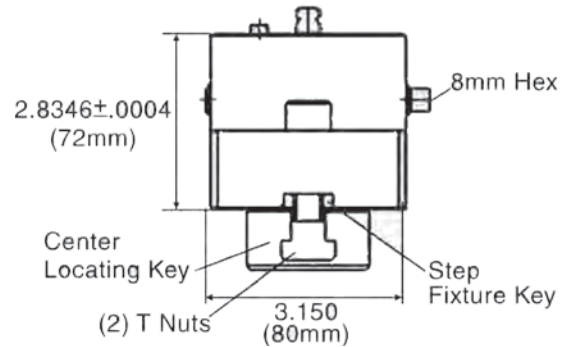
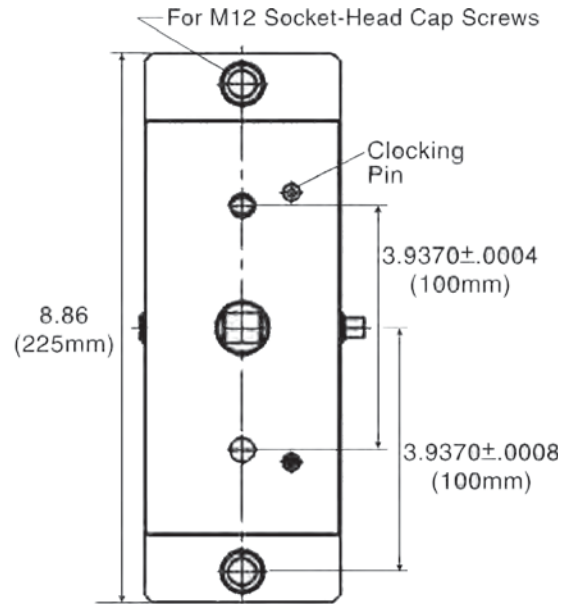


Quintus 1
Quick-Change Riser
 Pull-Down Force 2700 Lbs
 CLRH-9-6153-0101-VSA

Quintus Quick-Change Risers provide accurate location and secure clamping while also providing quick-change capability and elevating the workpiece for improved spindle access – all in one compact unit. The Quintus 1 riser shown here utilizes two locating pins, a round pin for zero-point centering and a diamond pin for single-axis centering, and a single pull-down bolt that provides 2700 lbs of pull-down force.

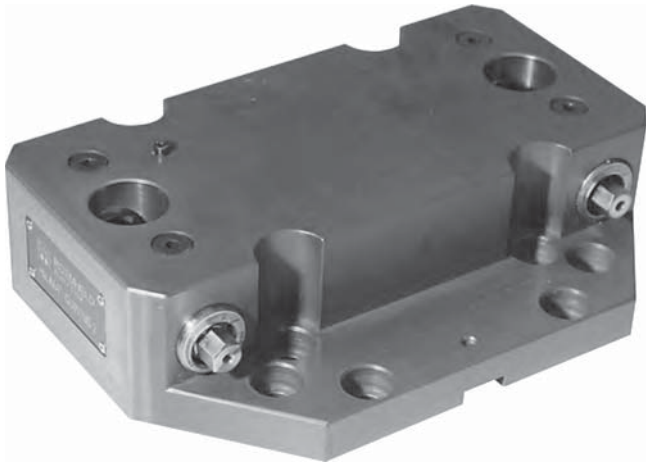


Quintus
Clamping
Mechanism



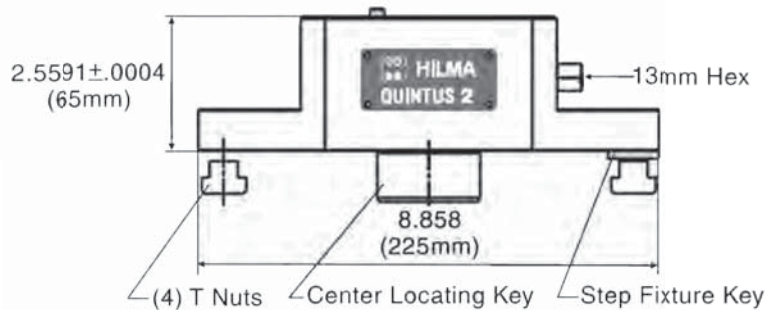
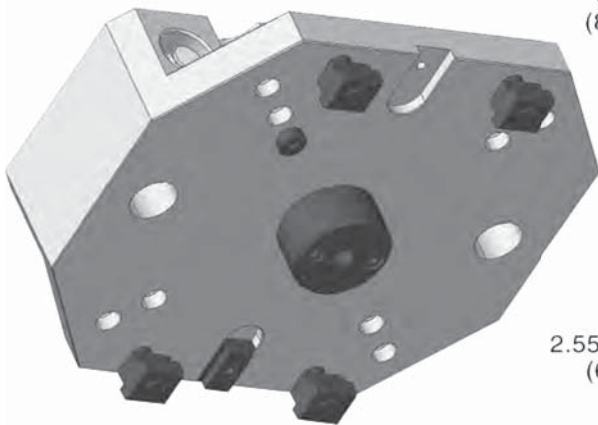
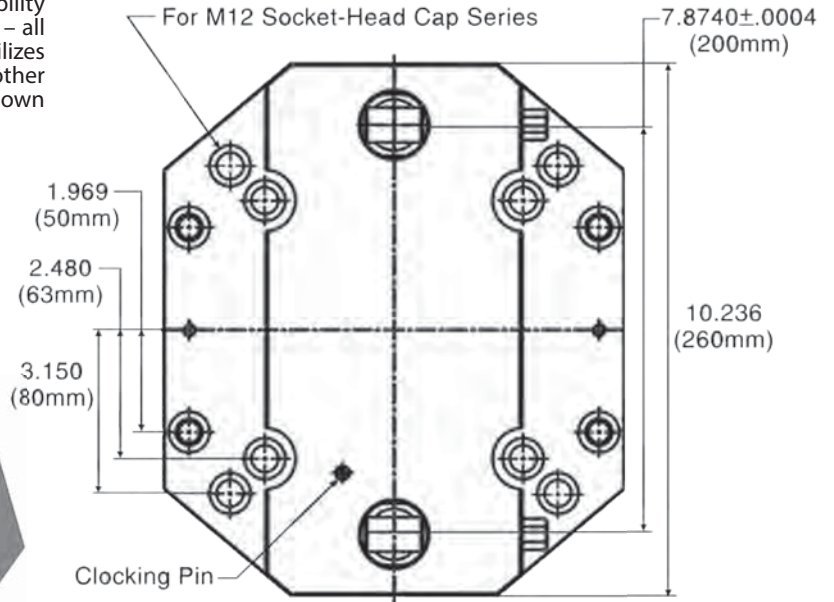
9

CL5® QUICK-CHANGE 5-AXIS WORKHOLDING

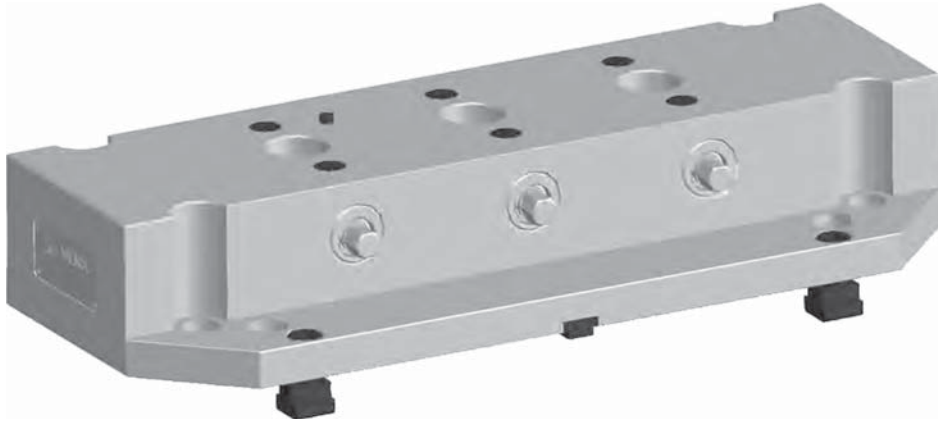


**Quintus 2
Quick-Change Riser**
Pull-Down Force 4500 Lbs x 2
CLRH-9-6155-0102-VSA

Quintus Quick-Change Risers provide accurate location and secure clamping while also providing quick-change capability and elevating the workpiece for improved spindle access – all in one compact unit. The Quintus 2 riser shown here utilizes two pull-down bolts – one with zero-point centering, the other with single-axis centering – providing 2 x 4500 lbs of pull-down force.

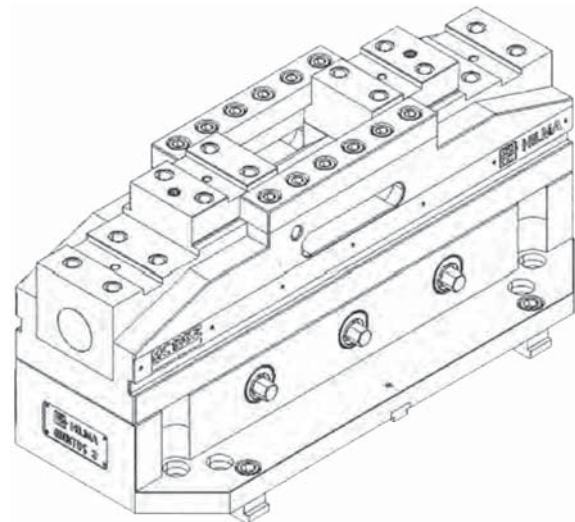


CL5[®] QUICK-CHANGE 5-AXIS WORKHOLDING

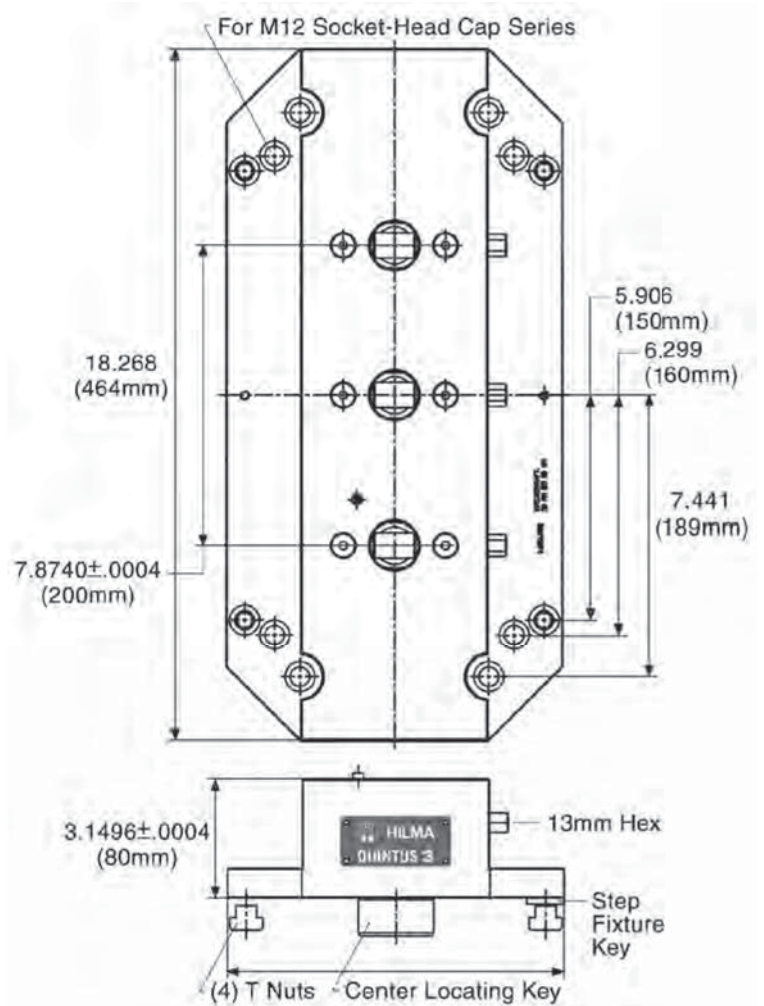


**Quintus 3
Quick-Change Riser**
Pull-Down Force 4500 Lbs x 3
CLR9-9-6156-0102-VSA

Quintus Quick-Change Risers provide accurate location and secure clamping while also providing quick-change capability and elevating the workpiece for improved spindle access – all in one compact unit. The Quintus 3 riser shown here utilizes three pull-down bolts – one with zero-point centering, one with single-axis centering, and one without centering – providing 3 x 4500 lbs of pull-down force.



MC125Z-series 5-axis concentric vise mounted on Quintus 3 Quick-Change Riser



9

CL5® QUICK-CHANGE 5-AXIS WORKHOLDING

RISER BLOCKS



**3 x 3 x 3
Blank**



**4 x 4 x 4
Blank**



**3 x 3 x 7
Vise Adaptor**
(MC60, MC60Z)

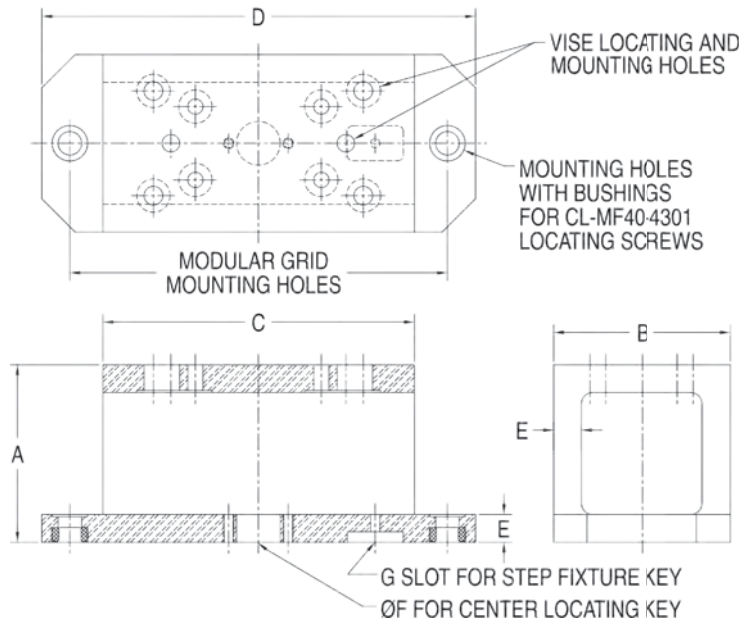


**4 x 4 x 7
Vise Adaptor**
(MC60, MC60Z, SCS80)



**4 x 6 x 11
Vise Adaptor**
(MC100, MC100Z, SCS120)

Riser Blocks provide an economical way to raise a workpiece for 5-Axis machining. These precision blocks are available blank for customization, or with locating and mounting holes for 5-Axis vises. Riser Blocks are usually mounted on a modular fixture plate, but sizes from 4x4x4 up can also be mounted directly on a rotary table.



9

RISER BLOCKS – BLANK

PART NO.	A	B	C	D	E	F DIA	G	MODULAR GRID MOUNTING HOLES	WORKHOLDER OPTIONS
CL-333-00-RBF	3	3	3	4.50	.50	—	—	2.8284 (2x2 diagonal)	Custom
CL-444-00-RBF	4	4	4	7.25	.62	25mm	—	2.0000 x 6.0000	

RISER BLOCKS – VISE ADAPTOR

CL-337-02-RBF	3	3	7	9.75	.50	25mm	20mm	8.4853 (6x6 diagonal)	MC60, MC60Z Vises
CL-447-02-RBF	4	4	7	9.75	.62			8.4853 (6x6 diagonal)	MC60, MC60Z, SCS80 Vises
CL-4611-03-RBF		6	11	11	.62			2.0000 x 6.0000	MC100, MC100Z, SCS120 Vises

CL5® QUICK-CHANGE 5-AXIS WORKHOLDING

5-AXIS VISES FOR MOUNTING ON QUINTUS 1



MC40 and MCP40

Fixed-Jaw Vise

40mm wide x 110mm long
1800 lbs clamping force

The MCP40 vise is extremely compact yet quite powerful. Like all of our 5-Axis vises, this vise has optimal features to allow unrestricted tool access for multiple-side machining. The standard fixed-jaw version has one fixed jaw and one sliding jaw that clamps against it. Due to its small size, the MCP40 vise uses an adaptor plate to mount on a Quintus 1 riser. **INFO+**: See pages 656-657 for more information.



MC40 Z and MCP40 Z

Concentric Vise

40mm wide x 110mm long
1800 lbs clamping force

The Z-series version of our MCP40 vise is dimensionally similar, but incorporates our precision self-centering mechanism. This concentric vise has two sliding jaws that provide clamping at the exact center of the rotary table. **INFO+**: See pages 656-657 for more information.



MC60 and MCP60

Fixed-Jaw Vise

60mm wide x 170mm long
3400 lbs clamping force

The MCP60 vise is our most popular 5-Axis-vise size. Like all of our 5-Axis vises, this vise has optimal features to allow unrestricted tool access for multiple-side machining. The standard fixed-jaw version has one fixed jaw and one sliding jaw that clamps against it. **INFO+**: See pages 656-657 for more information.



MC60 Z and MCP60 Z

Concentric Vise

60mm wide x 170mm long
3400 lbs clamping force

The Z-series version of our MCP60 vise is dimensionally similar, but incorporates our precision self-centering mechanism. This concentric vise has two sliding jaws that provide clamping at the exact center of the rotary table. **INFO+**: See pages 656-657 for more information.



SCS80

Fixed-Jaw Vise

80mm wide x 200mm long
5600 lbs clamping force

SCS-series vises are slightly wider, and allow clamping higher up in the jaws with greater holding force. Like all of our 5-Axis vises, the SCS80 vise has optimal features to allow unrestricted tool access for multiple-side machining. The standard fixed-jaw design has one fixed jaw and one sliding jaw that clamps against it. **INFO+**: See page 658 for more information.

CL5® QUICK-CHANGE 5-AXIS WORKHOLDING

5-AXIS VISES FOR MOUNTING ON QUINTUS 2



MC100 and MCP100

Fixed-Jaw Vise

100mm wide x 260mm long
5600 lbs clamping force

The MCP100 vise handles a wide range of workpiece sizes. Like all of our 5-Axis vises, this vise has optimal features to allow unrestricted tool access for multiple-side machining. The standard fixed-jaw version has one fixed jaw and one sliding jaw that clamps against it. **INFO+**: See pages 656-657 for more information.



MC100 Z and MCP100 Z

Concentric Vise

100mm wide x 266mm long
5600 lbs clamping force

The Z-series version of our MCP100 vise is dimensionally similar, but incorporates our precision self-centering mechanism. This concentric vise has two sliding jaws that provide clamping at the exact center of the rotary table. **INFO+**: See pages 656-657 for more information.



SCS120

Fixed-Jaw Vise

120mm wide x 227mm long
9000 lbs clamping force

SCS-series vises are slightly wider, and allow clamping higher up in the jaws with greater holding force. Like all of our 5-Axis vises, the SCS120 vise has optimal features to allow unrestricted tool access for multiple-side machining. The standard fixed-jaw design has one fixed jaw and one sliding jaw that clamps against it. **INFO+**: See page 658 for more information.

5-AXIS VISES FOR MOUNTING ON QUINTUS 3



MC125 Z and MCP125 Z

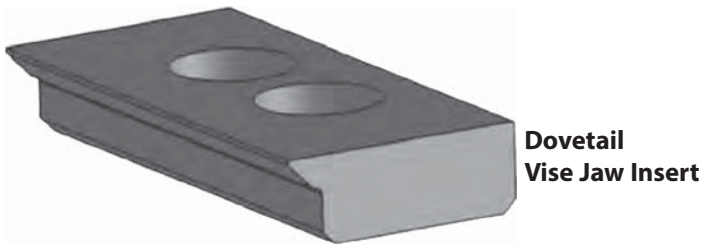
Concentric Vise

125mm wide x 465mm long
7900 lbs clamping force

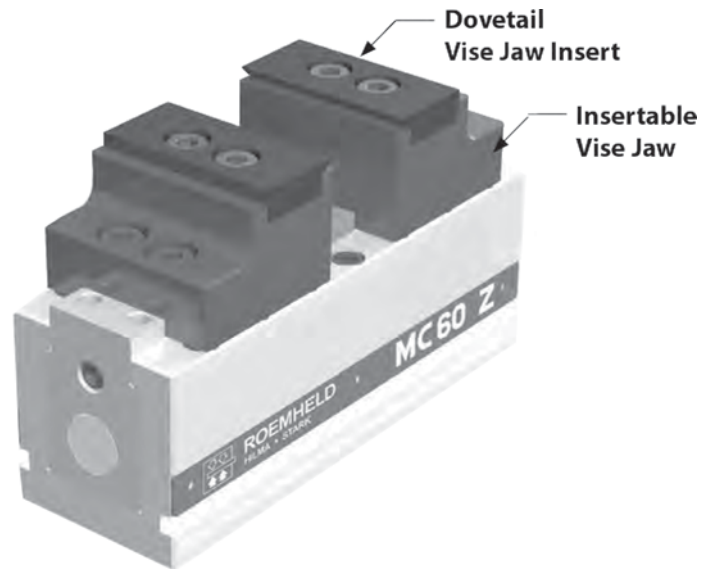
The MCP125Z vise is ideal for large workpieces. Like all of our 5-Axis vises, this vise has optimal features to allow unrestricted tool access for multiple-side machining. This Z-series concentric vise incorporates our precision self-centering mechanism, with two sliding jaws that provide clamping at the exact center of the rotary table. Shown with optional tapered slides. **INFO+**: See pages 656-657 for more information.

CL5® QUICK-CHANGE 5-AXIS WORKHOLDING

DOVETAIL VISE JAWS



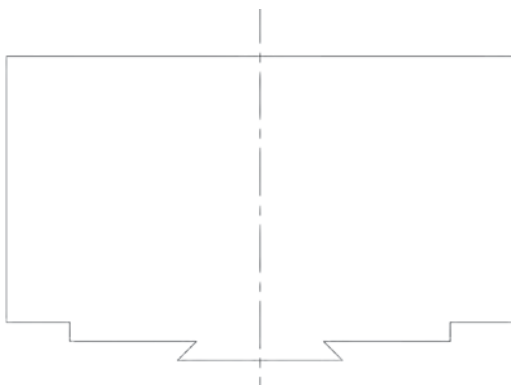
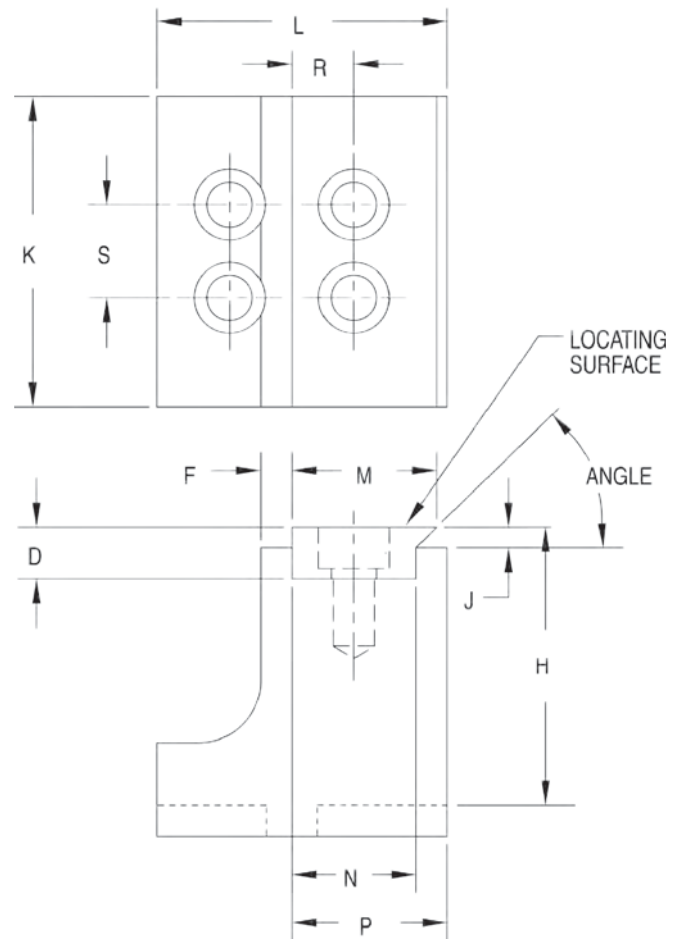
Dovetail Vise Jaw Insert



Dovetail Vise Jaw Insert

Insertable Vise Jaw

Dovetail clamping requires leaving excess material at the bottom of each workpiece for machining a male dovetail. This machined dovetail extension is used to clamp on during 5-Axis work, by a mating dovetail clamp or vise jaw, then is removed in a secondary machining operation. The dovetail inserts shown here fit 60mm-wide insertable jaws on MCP60 and MCP60Z 5-Axis vises, with other sizes available upon request. Inserts are available for either 45-degree or 60-degree dovetails. 1018 steel, carburized-hardened, black oxide finish.

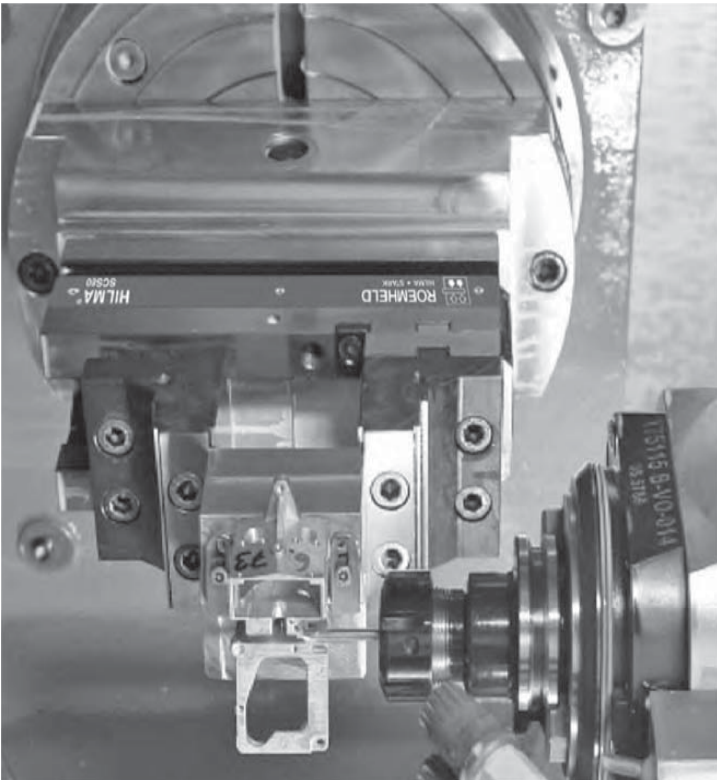
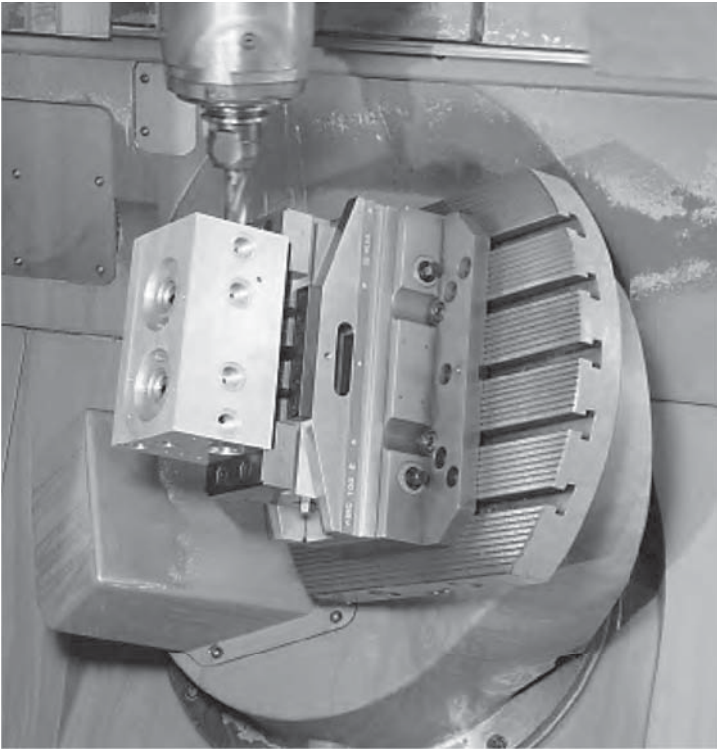


Example dovetail extension at bottom of workpiece.

WISE JAWS AND DOVETAIL INSERTS

WISE JAW PART NO. (2 REQD)	INSERT PART NO. (2 REQD)	ANGLE	D	F	H	D	K	L	M	N	P	R	M
CLRH-9-3583-6906-VSA	CL-36-DVJI-45	45°	.394	.236	1.339	.157	2.362	2.205	1.102	.945	1.181	.472	.709
	CL-36-DVJI-60	60°							1.063				

CL5® QUICK-CHANGE 5-AXIS WORKHOLDING



CL5[®] QUICK-CHANGE 5-AXIS WORKHOLDING

FIXTURE PLATES FOR MOUNTING ON ROTARY TABLE



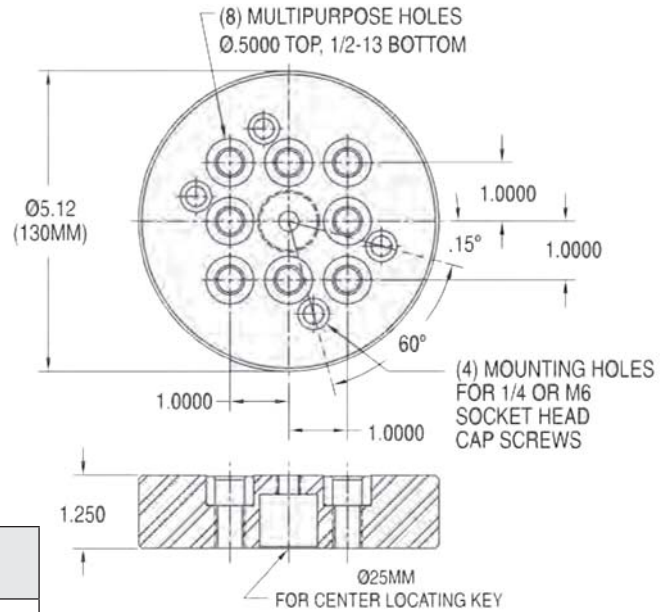
**130mm
Blank**



**130mm
Modular Fixturing**



**130mm
Vise Adaptor**



PART NO.	TYPE	PLATE DIA	FITS TABLE DIA	WORKHOLDER OPTIONS
CL-130-00-RFP	Blank	130mm	110mm 130mm	Custom
CL-130-40-RFP	Modular			Riser Block, Custom
CL-130-01-RFP	Vise Adaptor			MC40, MC40Z Vises



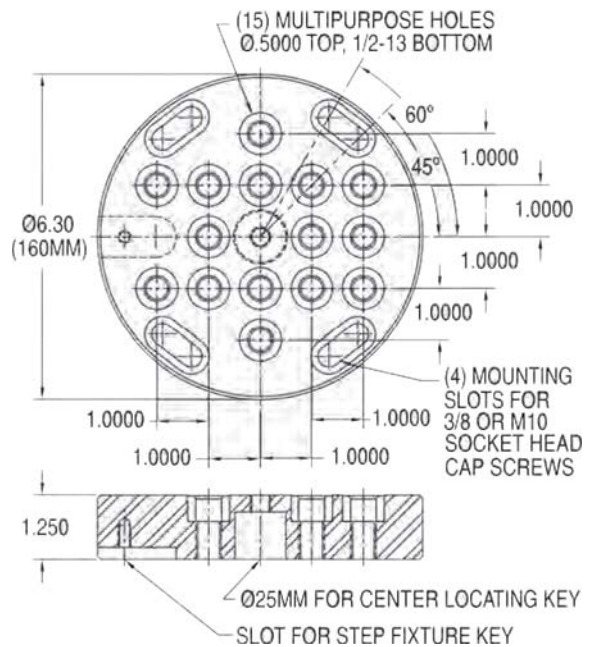
**160mm
Blank**



**160mm
Modular Fixturing**



**160mm
Vise Adaptor**



PART NO.	TYPE	PLATE DIA	FITS TABLE DIA	WORKHOLDER OPTIONS
CL-160-00-RFP	Blank	160mm	160mm	Custom
CL-160-40-RFP	Modular			Riser Block, Custom MC40, MC40Z, MC60, MC60Z, SCS80 Vises
CL-160-02-RFP	Vise Adaptor			

CL5® QUICK-CHANGE 5-AXIS WORKHOLDING

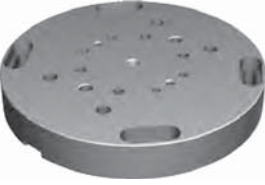
FIXTURE PLATES FOR MOUNTING ON ROTARY TABLE



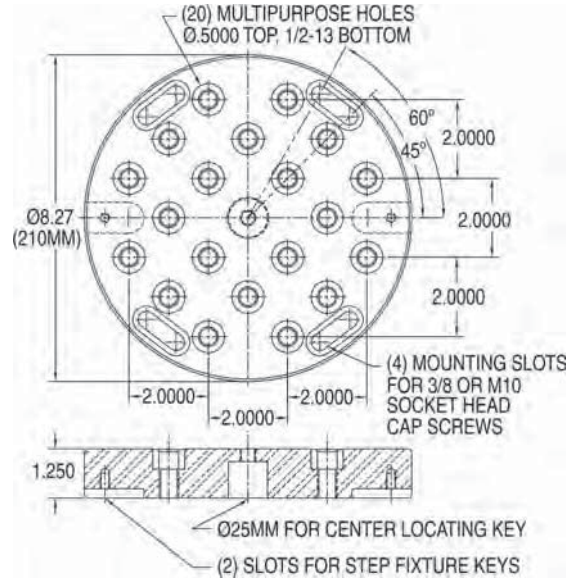
**210mm
Blank**



**210mm
Modular Fixturing**



**210mm
Vise Adaptor**



PART NO.	TYPE	PLATE DIA	FITS TABLE DIA	WORKHOLDER OPTIONS
CL-210-00-RFP	Blank	210mm	200mm	Custom
CL-210-40-RFP	Modular		210mm	Riser Block, Custom
CL-210-02-RFP	Vise Adaptor			MC40, MC40Z, MC60, MC60Z, SCS80 Vises



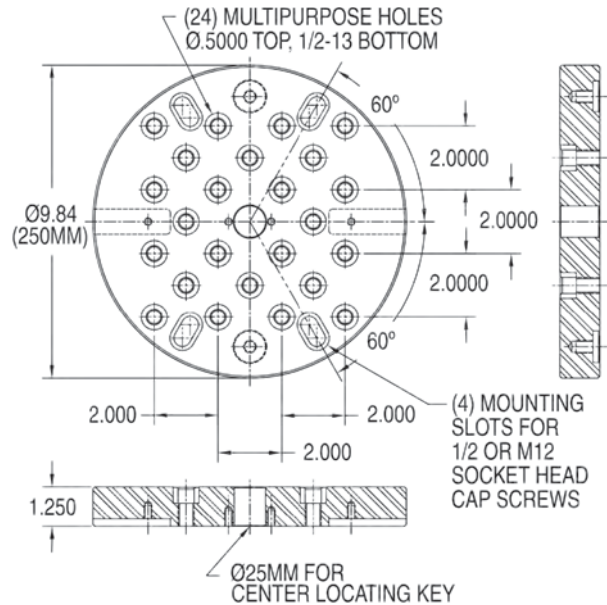
**250mm
Blank**



**250mm
Modular Fixturing**

Use 210mm Vise Adaptor for 250mm tables.

**250mm
Vise Adaptor**



PART NO.	TYPE	PLATE DIA	MOUNTS ON	WORKHOLDER OPTIONS
CL-250-00-QRFP	Blank	250mm	250mm	Custom
CL-250-40-QRFP	Modular		260mm	Riser Block with MC60, MC60Z, SCS80 Vise or Custom
CL-210-02-RFP	Vise Adaptor	210mm		MC40, MC40Z, MC60, MC60Z, SCS80 Vises

CL5® QUICK-CHANGE 5-AXIS WORKHOLDING

FIXTURE PLATES FOR MOUNTING ON ROTARY TABLE



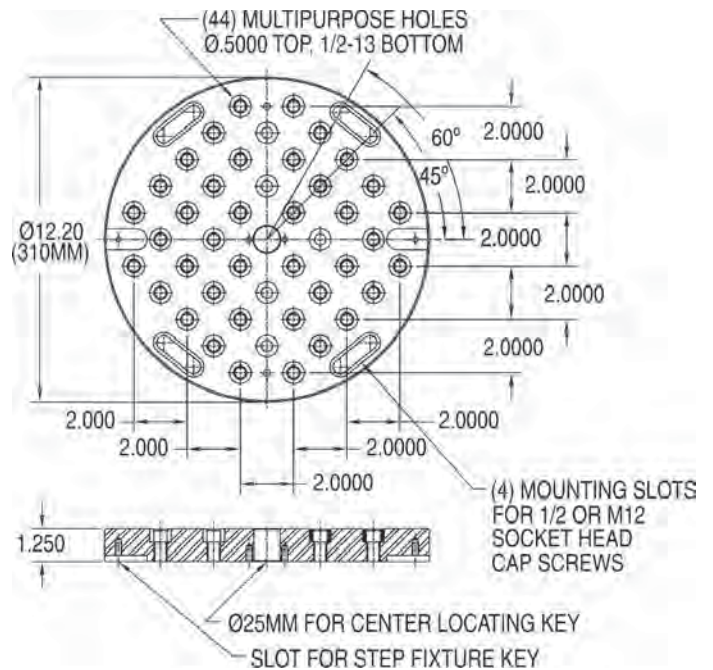
**310mm
Blank**



**310mm
Modular Fixturing**



**310mm
Vise Adaptor**



PART NO.	TYPE	PLATE DIA	FITS TABLE DIA	WORKHOLDER OPTIONS
CL-310-00-RFP	Blank	310mm	300mm	Custom
CL-310-40-RFP	Modular		310mm	Riser Block with MC60, MC60Z, SCS80, MC100, MC100Z, SCS120 Vise or Custom
CL-310-03-RFP	Vise Adaptor		320mm	MC60, MC60Z, SCS80, MC100, MC100Z, SCS120 Vises
			400mm	

CL5® QUICK-CHANGE 5-AXIS WORKHOLDING

FIXTURE PLATES FOR MOUNTING ON QUINTUS 1



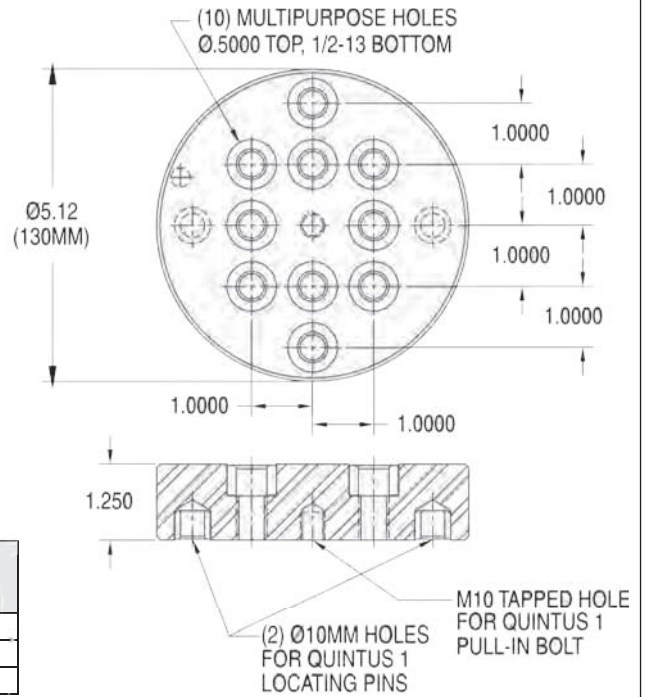
**130mm
Blank
(Mounts on Quintus 1)**



**130mm
Modular Fixturing
(Mounts on Quintus 1)**



**130mm
Vise Adaptor
(Mounts on Quintus 1)**



PART NO.	TYPE	PLATE DIA	MOUNTS ON	WORKHOLDER OPTIONS
CL-130-00-QRFP	Blank	120mm	Quintus 1	Custom
CL-130-40-QRFP	Modular			Riser Block or Custom
CL-130-01-QRFP	Vise Adaptor			MC40, MC40Z Vises



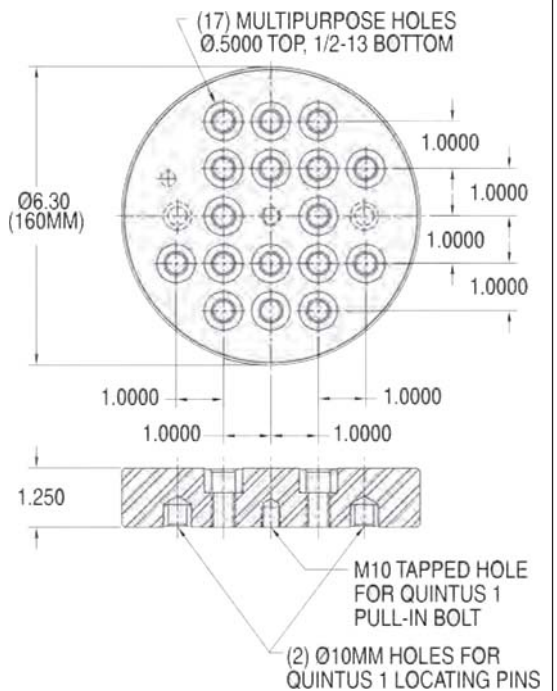
**160mm
Blank
(Mounts on Quintus 1)**



**160mm
Modular Fixturing
(Mounts on Quintus 1)**

Use 130mm
Vise Adaptor.

**160mm
Vise Adaptor
(Mounts on Quintus 1)**



PART NO.	TYPE	PLATE DIA	MOUNTS ON	WORKHOLDER OPTIONS
CL-160-00-QRFP	Blank	160mm	Quintus 1	Custom
CL-160-40-QRFP	Modular			Riser Block or Custom
CL-130-01-QRFP	Vise Adaptor	130mm		MC40, MC40Z Vises

CL5[®] QUICK-CHANGE 5-AXIS WORKHOLDING

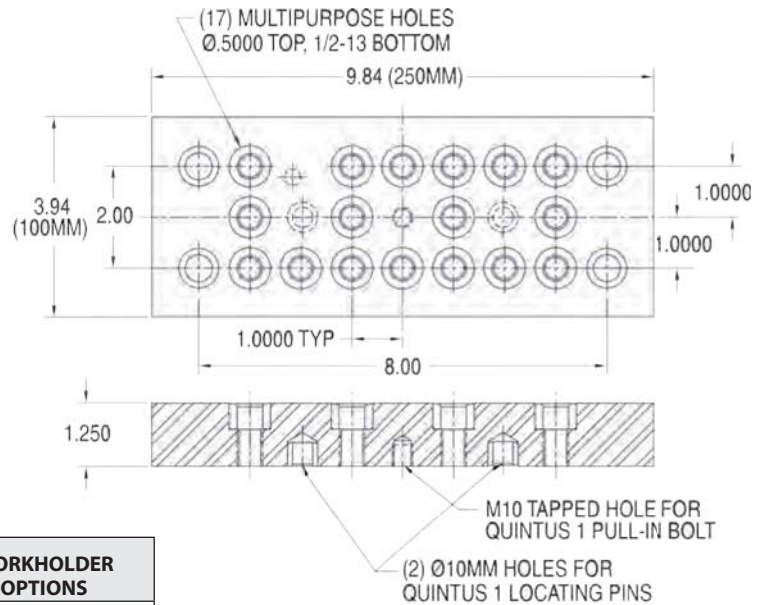
FIXTURE PLATES FOR MOUNTING ON QUINTUS 1



**100 x 250mm
Blank
(Mounts on Quintus 1)**



**100 x 250mm
Modular Fixturing
(Mounts on Quintus 1)**



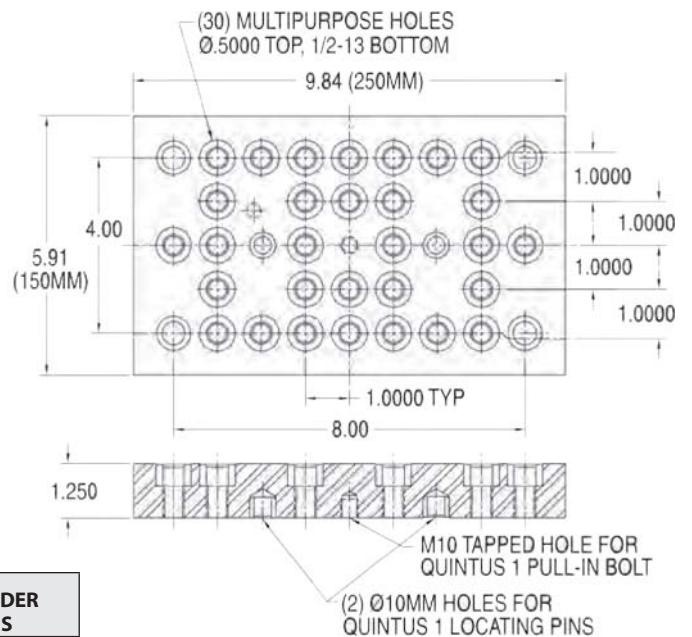
PART NO.	TYPE	PLATE SIZE	MOUNTS ON	WORKHOLDER OPTIONS
CL-100250-00-QFP	Blank	100 x 250mm	Quintus 1	Custom
CL-100250-40-QFP	Modular			Riser Block or Custom



**150 x 250mm
Blank
(Mounts on Quintus 1)**



**150 x 250mm
Modular Fixturing
(Mounts on Quintus 1)**



PART NO.	TYPE	PLATE SIZE	MOUNTS ON	WORKHOLDER OPTIONS
CL-150250-00-QFP	Blank	150 x 250mm	Quintus 1	Custom
CL-150250-40-QFP	Modular			Riser Block or Custom

CL5[®] QUICK-CHANGE 5-AXIS WORKHOLDING

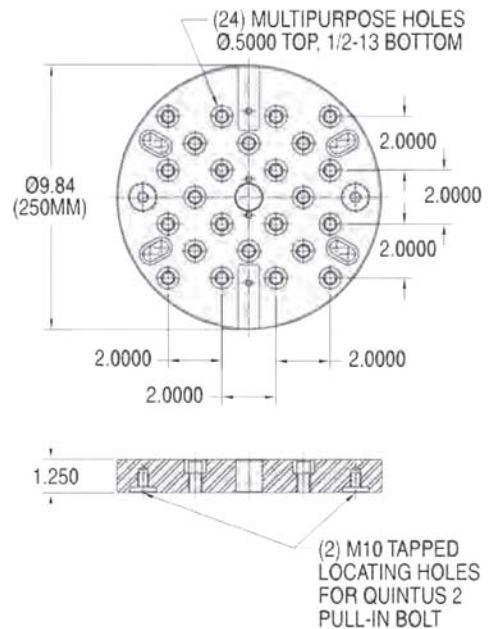
FIXTURE PLATES FOR MOUNTING ON QUINTUS 2



**250mm
Blank
(Mounts on Quintus 2)**



**250mm
Modular Fixturing
(Mounts on Quintus 2)**



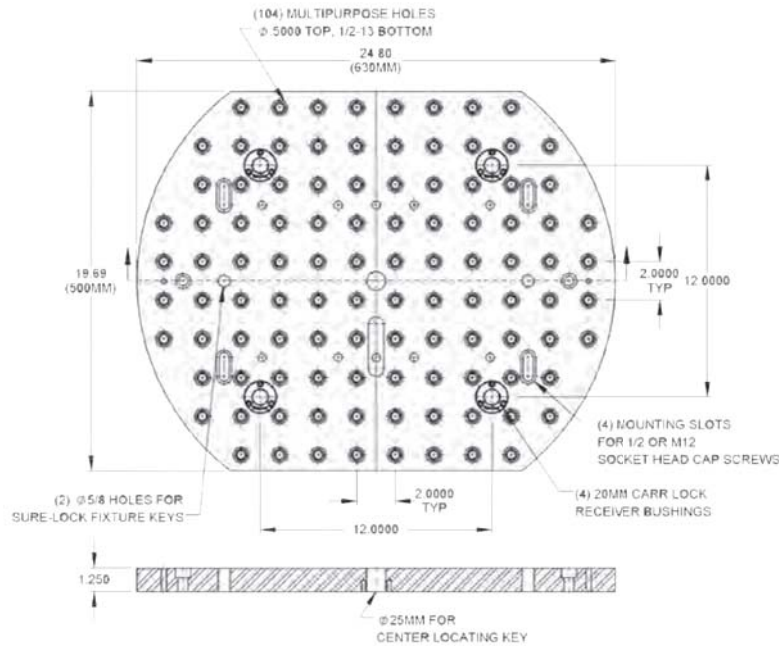
PART NO.	TYPE	PLATE DIA	MOUNTS ON	WORKHOLDER OPTIONS
CL-250-00-QRFP	Blank	250mm	Quintus 2	Custom
CL-250-40-QRFP	Modular			Riser Block or Custom

CL5® QUICK-CHANGE 5-AXIS WORKHOLDING

SUBPLATES



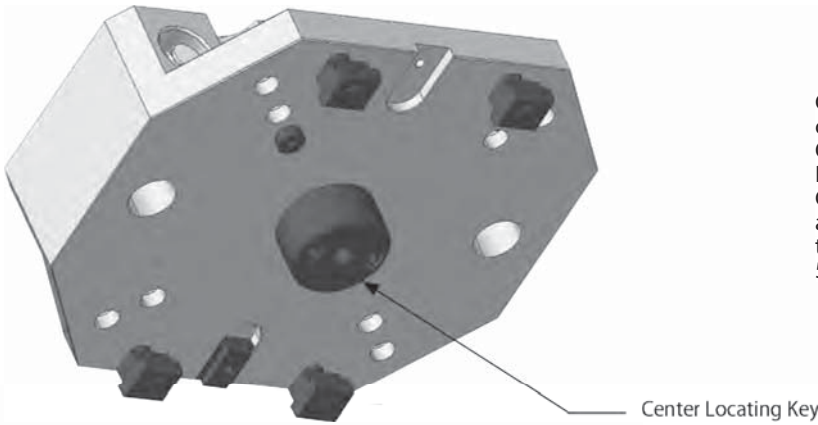
**630 x 500mm
Quintus 1, 2, 3,
Modular Fixturing
and Carr Lock**



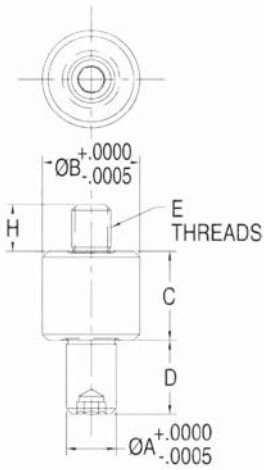
PART NO.	PLATE SIZE	FITS TABLE DIA	WORKHOLDER OPTIONS
CL-630500-43-CLRS	630 x 500mm	600mm 630 x 500mm	Quintus 1 with MC40, MC40Z, MC60, MC60Z, SCS80 Vise or Custom
			Quintus 2 with MC100, MC100Z, SCS120 Vise or Custom
			Quintus 3 with MC125Z Vise or Custom
			Riser Block with MC60, MC60Z, SCS80, MC100, MC100Z, SCS120 Vise or Custom
			Modular Fixture or Custom
			Carr Lock Fixture Plate

CL5[®] QUICK-CHANGE 5-AXIS WORKHOLDING

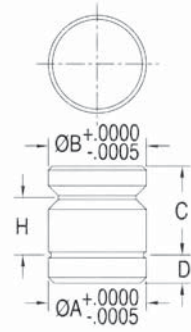
CENTER LOCATING KEYS



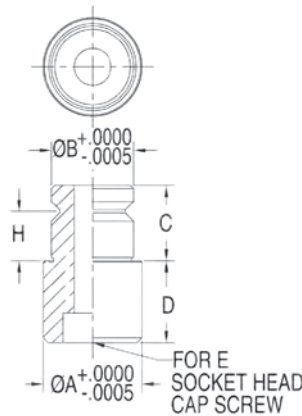
Center Locating Keys are used to precisely center a fixture on a rotary table. They can be used for mounting Quintus Quick-Change Risers, Riser Blocks, and Round Tooling Plates, which all have a standard 25mm center hole. All Center Locating Keys have a 25mm upper diameter and are available with a wide range of bottom diameters to fit the rotary table's center hole. 1144 steel, heat treated Rc 50-55, black oxide finish.



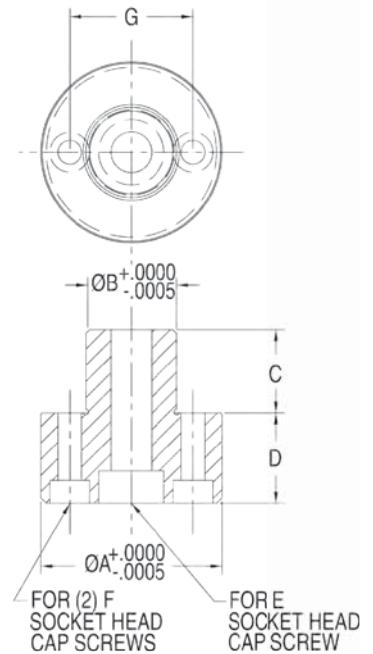
Type 1



Type 2



Type 3



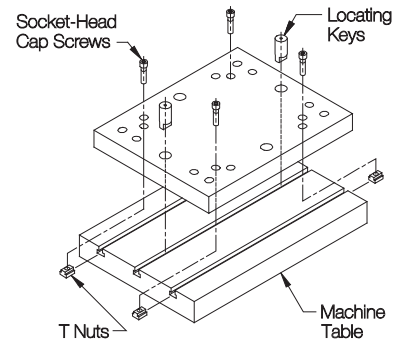
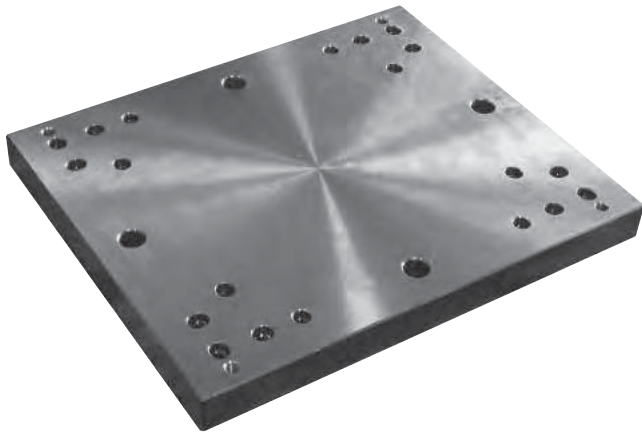
Type 4

CENTER LOCATING KEYS

PART NO.	TYPE	A DIA	B DIA	C	D	E	F	G	H
CLM-25-CLK-5000	Type 1	.5000	9.843 (25mm)	.90	.75	M10	—	—	.47
CLM-25-CLK-25	Type 2	.9843 (25mm)		.90	.29	—	—	—	.58
CLM-25-CLK-30	Type 3	1.1811 (30mm)		.91	.98	M10	—	—	.59
CLM-25-CLK-32		1.2598 (32mm)							
CLM-25-CLK-1.5000		1.5000							
CLM-25-CLK-50	Type 4	1.9685 (50mm)		.91	.98	M10	M6	1.339	—
CLM-25-CLK-70		2.000							
CLM-25-CLK-60		2.3622 (60mm)							
CLM-25-CLK-65		2.5591 (65mm)							
CLM-25-CLK-70		2.7559 (70mm)							
CLM-25-CLK-80		3.1496 (80mm)							
CLM-25-CLK-3.2500		3.2500							

RECTANGULAR TOOLING PLATES

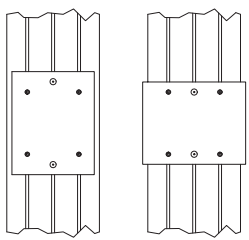
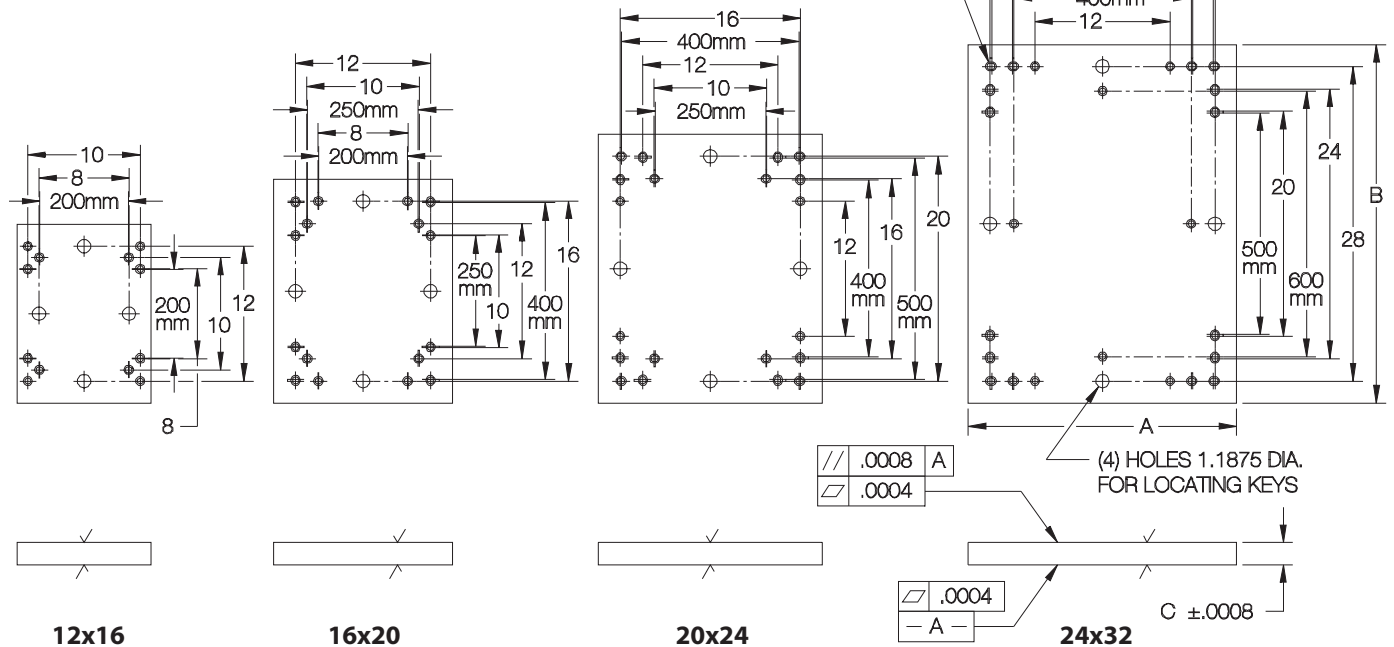
GRAY CAST IRON, ASTM CLASS 40



T-Slotted Table

Precision Blank

Precision blank tooling plates that are ready to mount on virtually any milling machine, reducing tooling cost and leadtime considerably. Finish ground to tight tolerances. Precision Locating-Key holes allow accurate directly on a machine table. Available in a full range of standard fixture sizes, with mounting holes to fit almost any USA or metric slot spacing. **INFO+**: See page 231 for Locating Keys and page 291 for T Nuts, to fit specific table-slot sizes.

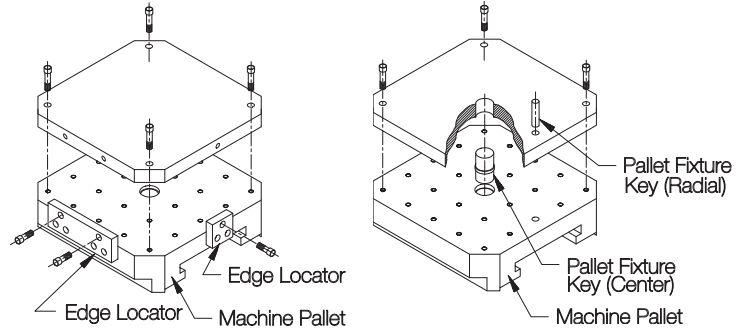


Two sets of Locating-Key holes allow mounting plates either lengthwise or wide-wise on a machine table.

PART NO.	A		B		C	NO. OF MOUNTING SCREWS REQUIRED	APPROX. WEIGHT (LBS)
	NOMINAL	ACTUAL	NOMINAL	ACTUAL			
CL-BF00-0110	12	11.875	16	15.875	2.0000	4	95
CL-BF00-0111	16	15.875	20	19.875			160
CL-BF00-0112	20	19.875	24	23.875			240
CL-BF00-0113	24	23.875	32	31.875			370

SQUARE PALLET TOOLING PLATES

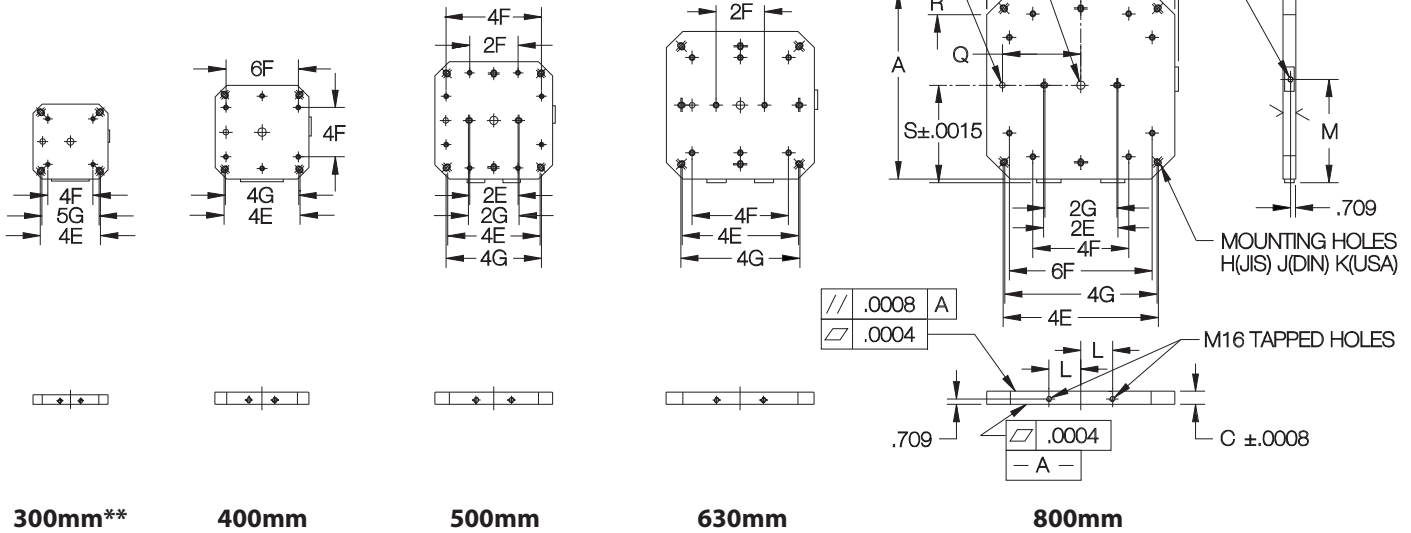
GRAY CAST IRON, ASTM CLASS 40



Precision Blank

Precision blank tooling plates that are ready to mount on standard machining-center pallets, reducing tooling cost and leadtime considerably. Finish ground to tight tolerances. Dual mounting capability allows both JIS mounting (locating from two reference edges) and DIN mounting (locating from center and radial holes) with excellent accuracy. **INFO+**: See page 232 for the Pallet Fixture Keys used for DIN mounting.

Dual Mounting (JIS and DIN)



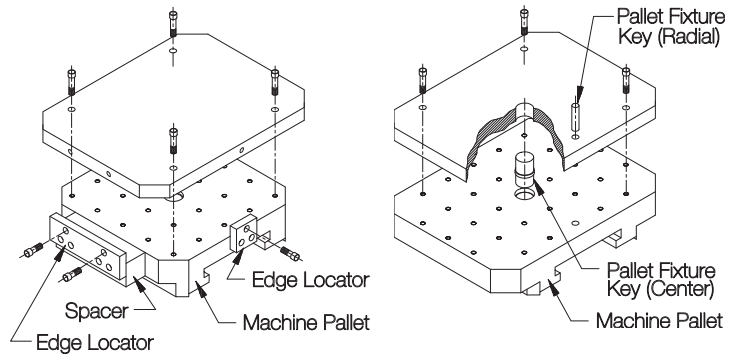
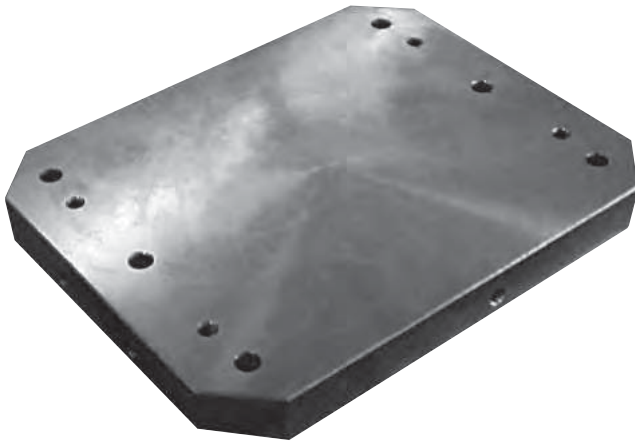
DUAL MOUNTING

PART NO.	A		C		E (JIS)	F (DIN)	G (USA)	H (JIS)	J (DIN)	K (USA)	L	M	N DIA	P DIA	Q	R	S	AP- PROX. WT (LBS)		
	NOMI-	AC-	NOMI-	AC-																
CL-BF00-0820	300mm	11.81	35mm	1.3780	63mm	50mm	50mm	M16	M10	5/8-11 or M16	1.969	7.283	25mm		3.9370	.79	6.2992	55		
CL-BF00-0821	400mm	15.20	50mm	1.9685	80mm	50mm	3.000		M12		2.165	8.858			30mm	20mm	5.9055	1.42	7.8740	125
CL-BF00-0822	500mm	19.13	50mm	1.9685	100mm	100mm	4.000		M16		2.953	10.827					7.8740	1.81	9.8425	195
CL-BF00-0823	630mm	24.25	50mm	1.9685	125mm		5.000		M16		3.937	13.386	25mm		7.8740	2.20	12.4016	310		
CL-BF00-0824	800mm	30.94	60mm	2.3622	160mm		6.000				5.315	16.732			11.8110	3.39	15.7480	595		

** 300mm size also fits 320mm pallets with the 10mm-thick edge pads furnished.

RECTANGULAR PALLET TOOLING PLATES

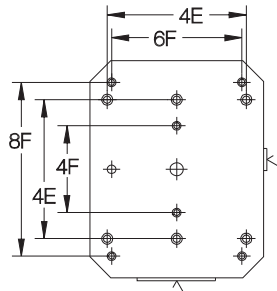
GRAY CAST IRON, ASTM CLASS 40



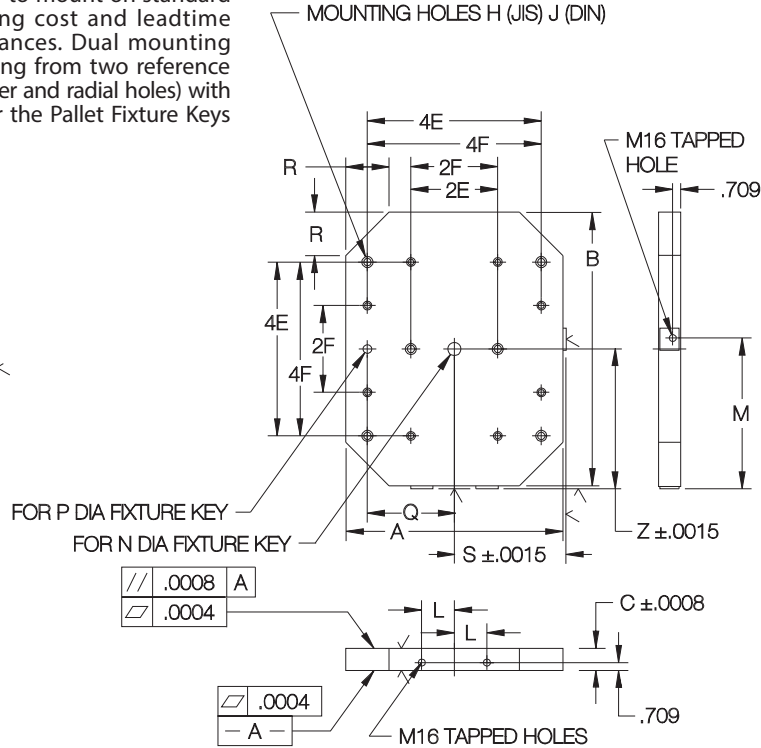
Dual Mounting (JIS and DIN)

Precision Blank

Precision blank tooling plates that are ready to mount on standard machining-center pallets, reducing tooling cost and leadtime considerably. Finish ground to tight tolerances. Dual mounting capability allows both JIS mounting (locating from two reference edges) and DIN mounting (locating from center and radial holes) with excellent accuracy. **INFO+**: See page 232 for the Pallet Fixture Keys used for DIN mounting.



400x500mm



500x630mm

DUAL MOUNTING

PART NO.	A		B		C		E (JIS)	F (DIN)	H (JIS)	J (DIN)	L	M	N DIA	P DIA	Q	R	S	Z	AP- PROX. WT (LBS)
	NOMINAL	ACTUAL	NOMINAL	ACTUAL	NOMINAL	ACTUAL													
CL-BF00-0871	400mm	15.20	500mm	19.13	50mm	1.9685	80mm	50mm	M16	M12	2.165	10.827	30mm	20mm	5.9055	1.42	7.8740	9.8425	160
CL-BF00-0872	500mm	19.13	630mm	24.25	50mm	1.9685	100mm	100mm	M16	M12	2.953	13.386	30mm	20mm	7.8740	3.39	9.8425	12.4016	250

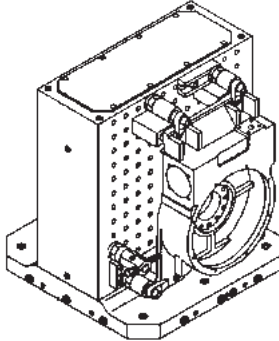
TWO-SIDED TOOLING BLOCKS

A713 TENZALOY ALUMINUM ALLOY, AGED TO T-6 CONDITION

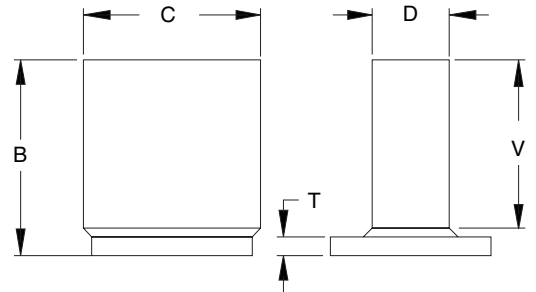
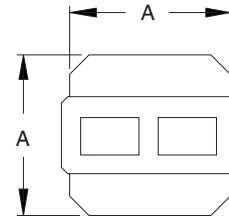


Universal Blank

Economical blank tooling block for machining-center pallets. One-piece cast aluminum-alloy construction provides superior accuracy, dimensional stability, and vibration dampening. Both tooling faces are accurately machined flat, square, and parallel to within .001" per foot, and qualified to the base. Universal mounting capability allows both JIS mounting (locating from two reference edges) and DIN mounting (locating from center and radial holes) with excellent accuracy. Please note, each face is machined .015" over nominal size to allow making a finish cut after mounting on your machine.



These tooling blocks have two identical wide faces to allow fixturing large parts.



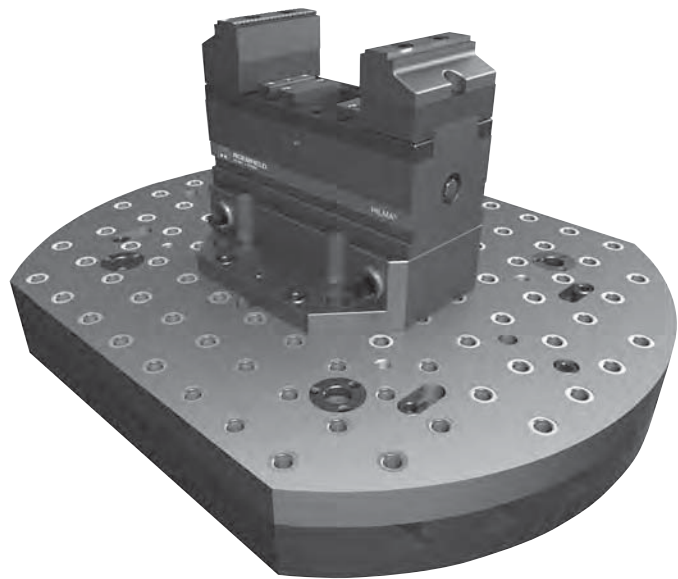
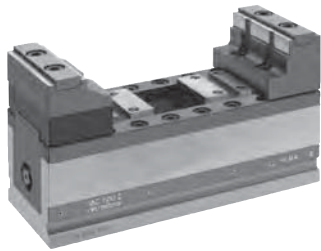
9

PART NO.	PALLET SIZE	A	B	C	D (+.030)	T	V	WEIGHT (LBS)
CL-D-41624-400-UM	400mm	15.75	24	15.7	4.000	1.5	22.5	236
CL-D-62028-500-UM	500mm	19.69	28	20	6.000	1.5	26	450
CL-D-82028-500-UM			28	19.7		8.000	20	324
CL-D-82032-500-UM			32			25	323	



Quick-Change 5-Axis Workholding

**Quick-Change With No Adaptor Plates,
Blocks Or Pallets Necessary**



- Quintus fixture plates available as blank, or with multi-function holes
- German-built, extremely accurate precision vises
- Allows unrestricted tool access for multiple-side machining
- Numerous jaw types and sizes available

Carr Lane
MANUFACTURING CO.

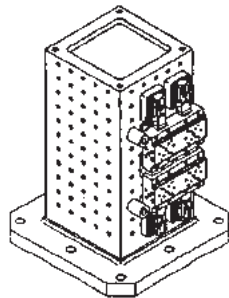
FOUR-SIDED TOOLING BLOCKS

A713 TENZALOY ALUMINUM ALLOY, AGED TO T-6 CONDITION

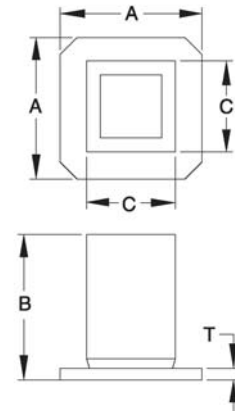


Universal Blank

Economical blank tooling block for machining-center pallets. One-piece cast aluminum-alloy construction provides superior accuracy, dimensional stability, and vibration dampening. All four tooling faces are accurately machined flat, square, and parallel to within .001" per foot, and qualified to the base. Universal mounting capability allows both JIS mounting (locating from two reference edges) and DIN mounting (locating from center and radial holes) with excellent accuracy. Please note, each face is machined .015" over nominal size to allow making a finish cut after mounting on your machine.



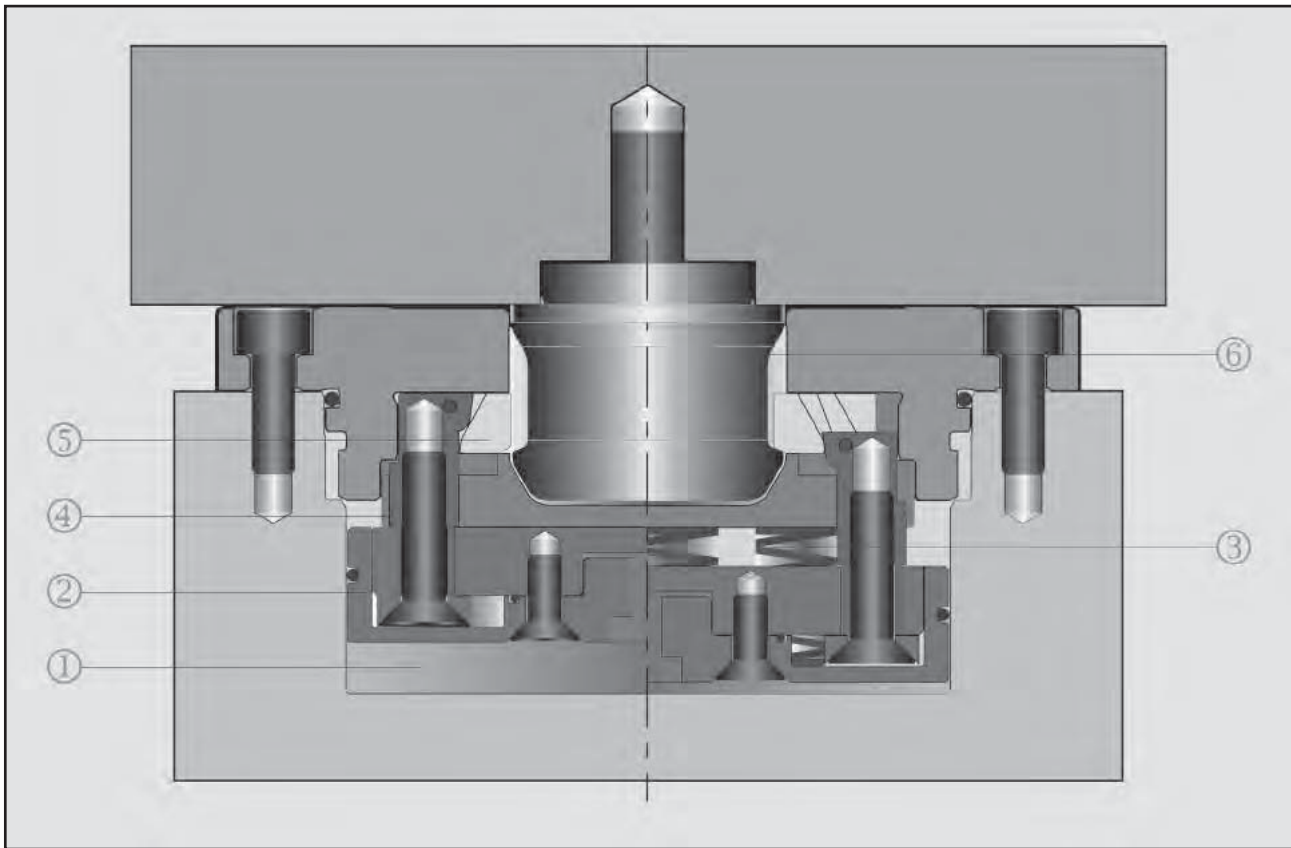
With four identical faces, these tooling blocks are ideal for loading a large number of medium-size parts on a pallet.



PART NO.	PALLET SIZE	A	B	C (+.030)	T	WEIGHT (LBS)
CL-N-824-400-UM	400mm	15.75	24	8.000	1.5	143
CL-N-1024-400-UM			24	10.000		169
CL-N-1028-400-UM			28			188
CL-N-1028-500-UM	500mm	19.69	28	10.000	1.5	214
CL-N-1228-500-UM			28	12.000		300
CL-N-1232-500-UM			32			300

STARK ZERO-POINT MOUNTING SYSTEM

PRINCIPLES OF OPERATION



9

Releasing pneumatically:

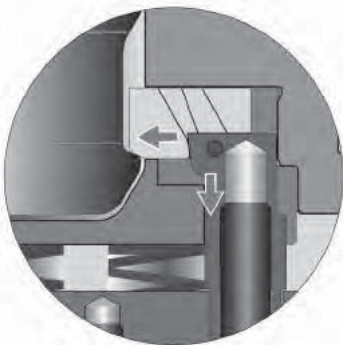
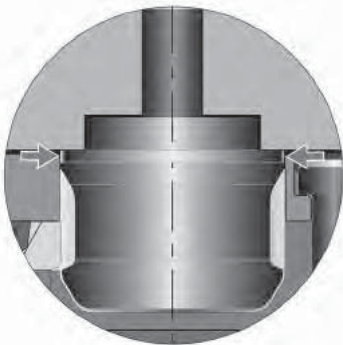
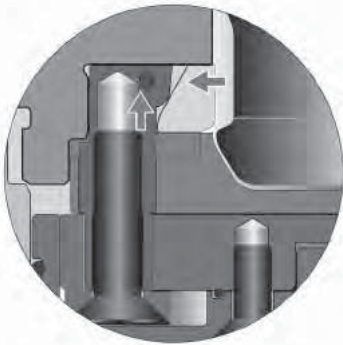
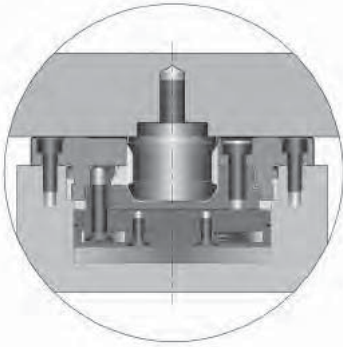
- Pneumatic pressure (1) is applied to the piston (2) and the piston moves upward. The spiral springs (3) are pressed together.
- The clamping fingers (4) move upward through the piston (2) and pull the segments (5) to the outside.
- The retractable nipple (6) is released.

Clamping mechanically:

- The pneumatic pressure is relieved. The pneumatic pressure drops to zero.
- The spring pre-load is applied via the piston (2) and push the segments (5) toward the inside.
- The retractable nipple (6) is pulled down by the clamping face on the segments (5) and clamped against the bearing surface.

STARK ZERO-POINT MOUNTING SYSTEM

FEATURES AND ADVANTAGES



Design

- Compact design (Flush Mount, screw-fit or module)
- High retention force, enormous power density
- Maintenance-free, designed for large number of load changes (> 2 million in continuous test)
- Made of high quality tool steel and chromium steel
- Actuation with clean air, from 75psi to release
- Can be operated without additional service unit
- Environmentally friendly and clean operation (no oil)
- Particularly suitable for oil-free environment, e.g. in the foodstuffs, aerospace industry or medical sector.

Positive action operation

- The segments are actuated mechanically
- Powerful and secure clamping is ensured at all times
- In an endurance test over 3 million clamping cycles tested full functionality even under extreme conditions.
- Functions reliably in any installation position
- Very short clamping and release time – 0.2sec

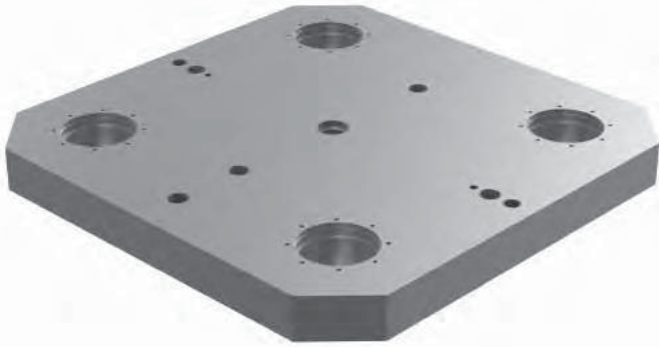
Cylindrical fit

- Due to the cylindrical fit, high lateral forces can be absorbed by the fast closing clamp during the machining
- Ideal pre-centring for Römheld coupling elements without coupling travel, data sheet F9.461

Segments

- Due to the optimal all-round positive clamping action of the clamping segments, the retractable nipple is retained stably and securely in the fast closing clamp.

STARK ZERO-POINT MOUNTING SYSTEM

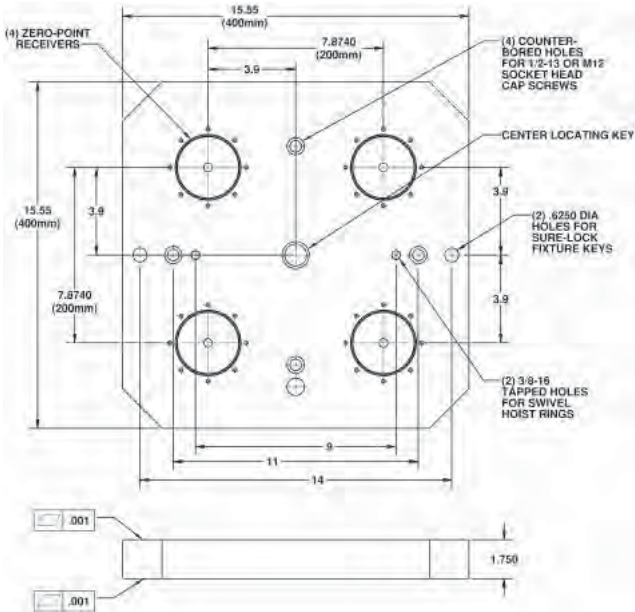


**Stark
Zero-Point Subplates**

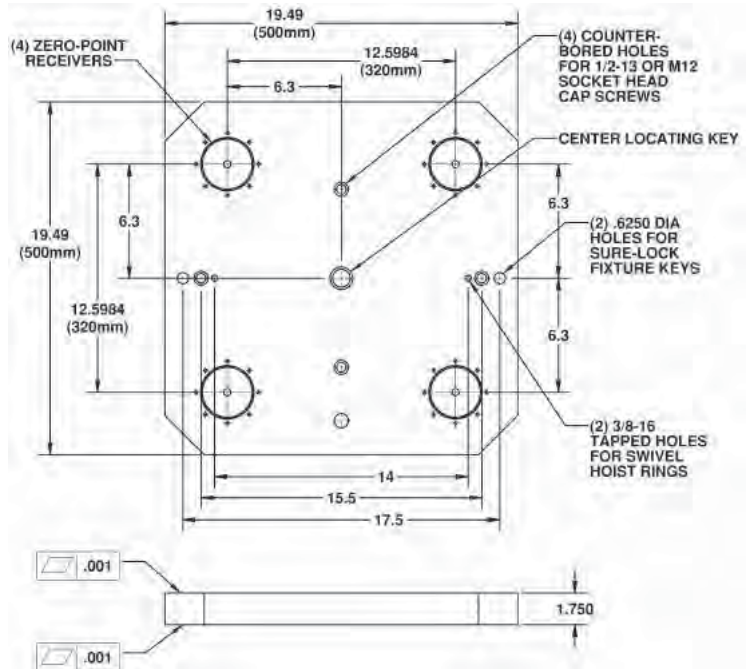
Zero-Point Subplates are precision-machined steel plates with Stark Receivers installed in a standard pattern. These subplates serve as the foundation of an efficient quick-change fixturing system. Subplates should generally be large enough to cover most of the machine table, for maximum fixture flexibility, but should never extend beyond the machine table. For maximum quick-change benefits, subplates are usually left permanently on the machine table while only the mounted fixtures or vises are exchanged.

Available in two sizes, subplates can be easily combined together to provide coverage for a larger machine table.

See videos & applications at carrlane.com. Search for "Zero-Point Subplates."



400mm



500mm

STARK ZERO-POINT SUBPLATES

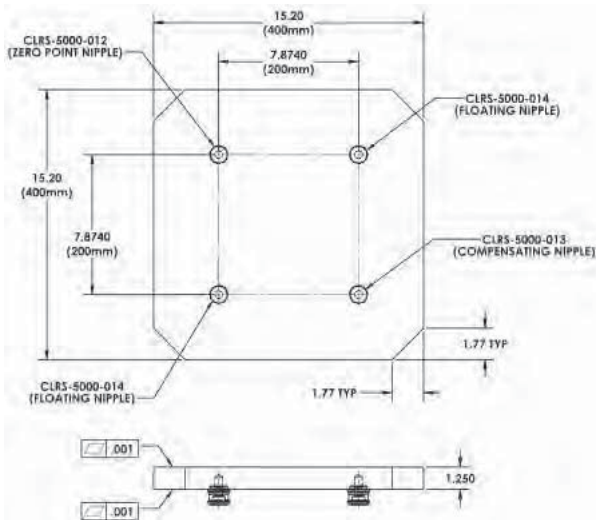
PART NO.	SUBPLATE SIZE	NUMBER OF RECEIVERS	RECEIVER SPACING	CLAMPING FORCE PER RECEIVER	AIR PRESSURE REQUIRED TO RELEASE	MAXIMUM AIR PRESSURE	ALLOWABLE LATERAL FORCE PER RECEIVER	SYSTEM ACCURACY
CLRS-RA400-200	400 x 400mm	4	200 x 200mm	4500 lbs	72 - 87 psi	145 psi	1600 lbs	.0004"
CLRS-RA500-320	500 x 500mm	4	320 x 320mm	4500 lbs	72 - 87 psi	145 psi	1600 lbs	.0004"

STARK ZERO-POINT MOUNTING SYSTEM

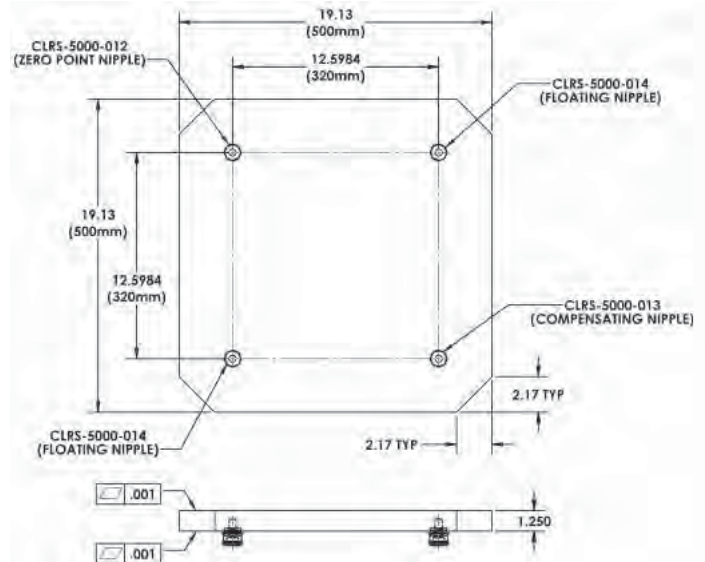


**Stark
Zero-Point Fixture Plates**

Stark Fixture Plates are precision-machined MIC-6 aluminum plates available in a wide range of standard sizes use as a base for building quick-change fixtures. These fixture plates are quickly located and mounted on a subplate using Stark Zero-Point Nipples.



400mm

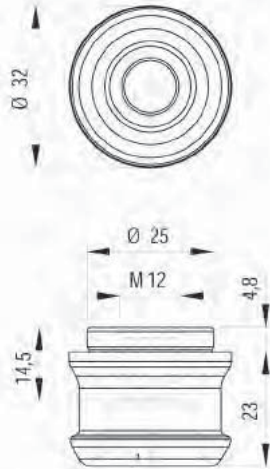


500mm

STARK ZERO-POINT FIXTURE PLATES

PART NO.	PLATE SIZE	NUMBER OF NIPPLES TOTAL	NUMBER OF NIPPLES WITH ZERO-POINT CENTERING	NUMBER OF NIPPLES WITH SINGLE-AXIS CENTERING	NUMBER OF NIPPLES WITHOUT CENTERING	NIPPLE SPACING
CLRS-FA400-200	400 x 400mm	4	1	1	2	200 x 200mm
CLRS-FA500-320	500 x 500mm	4	1	1	2	320 x 320mm

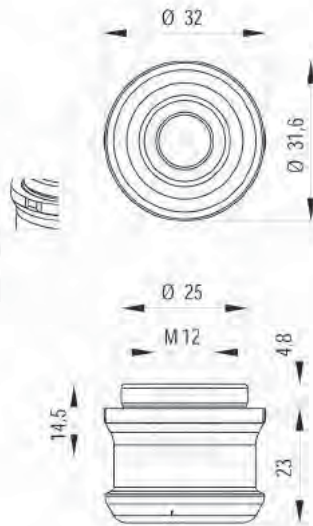
STARK ZERO-POINT MOUNTING SYSTEM



Countersink for screw DIN 912

STARK NIPPLE WITH ZERO-POINT CENTERING

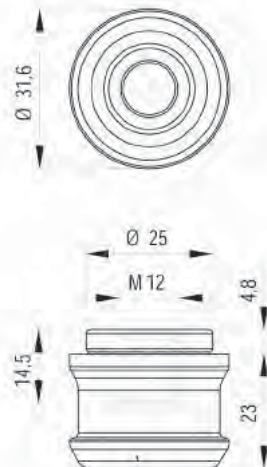
PART NO.	TYPE	TIGHTENING TORQUE AT THE NIPPLE	TIGHTENING TORQUE AT THE SCREW
CLRS-5000-012	Zero-Point Centering	33 ft-lbs	44 ft-lbs



Countersink for screw DIN 912

STARK NIPPLE WITH SINGLE-AXIS CENTERING

PART NO.	TYPE	TIGHTENING TORQUE AT THE NIPPLE	TIGHTENING TORQUE AT THE SCREW
CLRS-5000-013	Single-Axis Centering	33 ft-lbs	44 ft-lbs

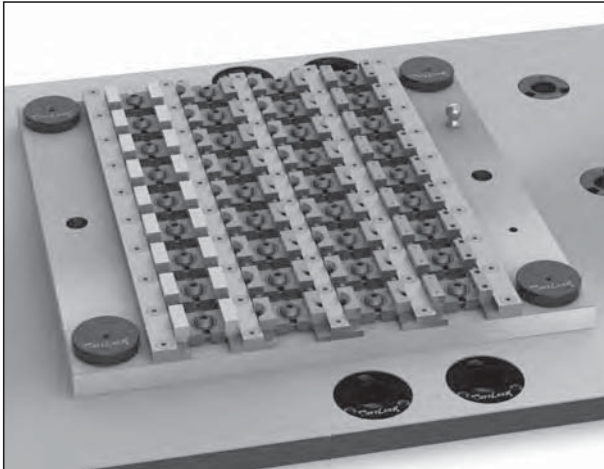


Countersink for screw DIN 912

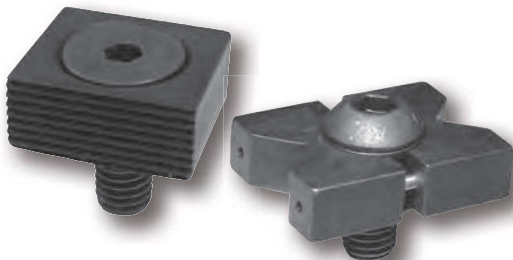
STARK NIPPLE WITHOUT CENTERING

PART NO.	TYPE	TIGHTENING TORQUE AT THE NIPPLE	TIGHTENING TORQUE AT THE SCREW
CLRS-5000-014	Without Centering	33 ft-lbs	44 ft-lbs

Perfect for High Density Machining!



**Strong Clamping Action
For Fixturing Small Parts**



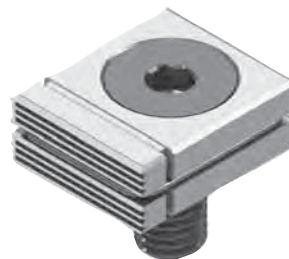
Patented Tiny Vise® edge clamps from Carr Lane Manufacturing grip the side of a workpiece to keep the top clear for machining. Patent number 5,624,106.

- Clamping force is applied with the easy turn of a hex wrench
- Only Tiny Vise® Edge Clamps truly exert down thrust force on the workpiece, to prevent it from lifting
- Patented, more durable than similar clamps



**Low Profile
Version**

Compare the amazing low-profile Tiny Vise® clamp with our standard Tiny Vise® clamp (left).



**Modular Jaw
Version**



Modular jaw design allows adjustment for workpiece-size variations. Additional patents pending.

- Wide range of sizes. Standard versions include regular single, v-jaw single, regular double, and v-jaw double.
- Newer versions include low profile and modular jaw styles.
- Made in the USA.

CAST SECTIONS

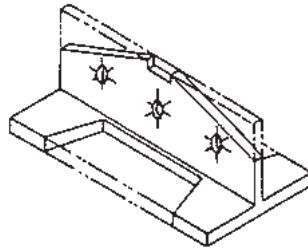
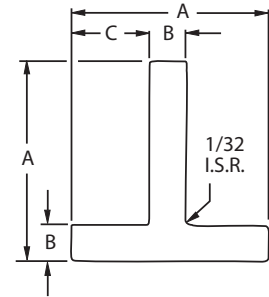
CAST IRON: ASTM CLASS 40, TENSILE STRENGTH 40,000 TO 45,000 PSI
 ALUMINUM: 352, TENSILE STRENGTH 30,000 PSI



Cast Iron

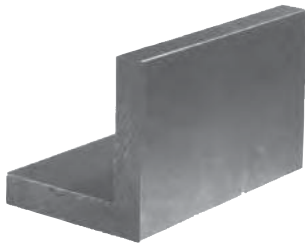
Fast, economical way to make special fixture components. All surfaces are machined square and parallel within .005 inches per foot, except ends. Internal faces on square and rectangular sections are unfinished. All dimensions $\pm 1/32$ (except length, which is $-1/16$ to $+1/8$).

Cast sections are available in full lengths (usually 25") or 6" lengths. Custom lengths are available as specials.



T SECTIONS — CAST IRON

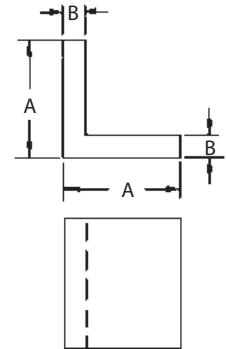
PART NO. FULL LENGTH	PART NO. 6" LENGTH	A	B	C	FULL LENGTH
CL-1-CST-25.00	CL-1-CST-6.00	3	5/8	1-3/16	25
CL-2-CST-25.00	CL-2-CST-6.00	4	3/4	1-5/8	
CL-3-CST-25.00	CL-3-CST-6.00	5		2-1/8	
CL-4-CST-25.00	CL-4-CST-6.00	6	1	2-1/2	
CL-5-CST-25.00	CL-5-CST-6.00	8	1-1/4	3-3/8	



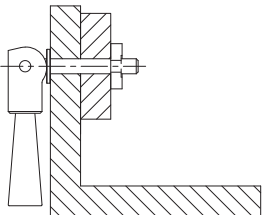
Cast Iron and Aluminum

L SECTIONS — CAST IRON

PART NO. FULL LENGTH	PART NO. 6" LENGTH	A	B	FULL LENGTH
CL-1-CSA-25.00	CL-1-CSA-6.00	3	5/8	25
CL-2-CSA-25.00	CL-2-CSA-6.00	4	3/4	
CL-3-CSA-25.00	CL-3-CSA-6.00	5		
CL-4-CSA-25.00	CL-4-CSA-6.00	6	1-1/4	
CL-5-CSA-25.00	CL-5-CSA-6.00	8	1-1/4	



9



L SECTIONS — ALUMINUM

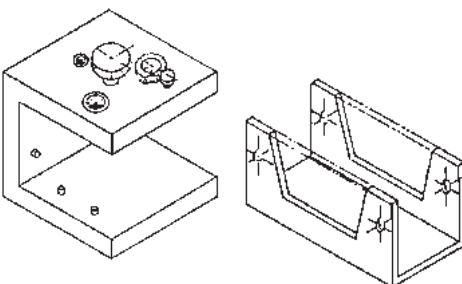
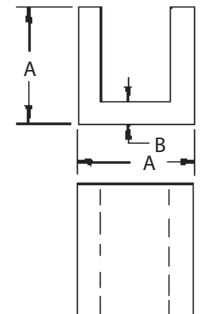
PART NO. FULL LENGTH	PART NO. 6" LENGTH	A	B	FULL LENGTH
CL-1-CAA-25.00	CL-1-CAA-6.00	3	5/8	25
CL-2-CAA-25.00	CL-2-CAA-6.00	4	3/4	
CL-3-CAA-25.00	CL-3-CAA-6.00	5		



Cast Iron and Aluminum

U SECTIONS — CAST IRON

PART NO. FULL LENGTH	PART NO. 6" LENGTH	A	B	FULL LENGTH
CL-1-CSU-19.00	CL-1-CSU-6.00	1-3/4	3/8	19
CL-2-CSU-19.00	CL-2-CSU-6.00	2-1/2	1/2	25
CL-3-CSU-25.00	CL-3-CSU-6.00	3	5/8	
CL-4-CSU-25.00	CL-4-CSU-6.00	4	3/4	
CL-5-CSU-25.00	CL-5-CSU-6.00	5		
CL-6-CSU-25.00	CL-6-CSU-6.00	6	1-1/4	
CL-7-CSU-25.00	CL-7-CSU-6.00	8	1-1/4	

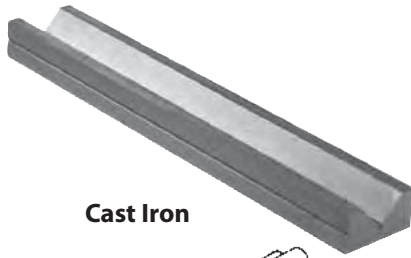


U SECTIONS — ALUMINUM

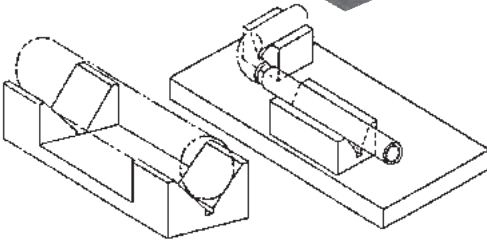
PART NO. FULL LENGTH	PART NO. 6" LENGTH	A	B	FULL LENGTH
CL-1-CAU-25.00	CL-1-CAU-6.00	3	5/8	25
CL-2-CAU-25.00	CL-2-CAU-6.00	4	3/4	
CL-3-CAU-25.00	CL-3-CAU-6.00	5		

CAST SECTIONS

SEE PAGE 376 FOR MATERIAL SPECIFICATIONS AND TOLERANCES

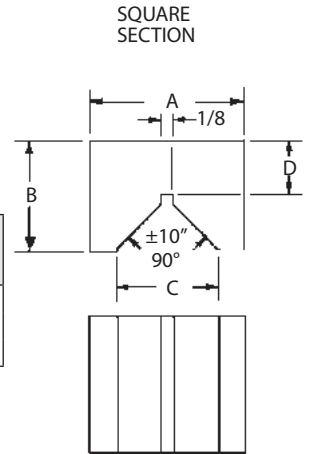


Cast Iron

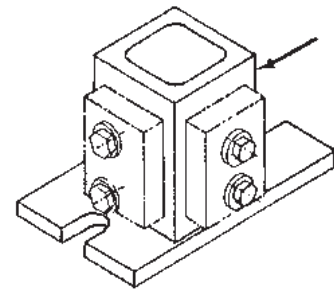


V SECTIONS — CAST IRON

PART NO. FULL LENGTH	PART NO. 6" LENGTH	A	B	C	D	FULL LENGTH
CL-1-CSV-18.00	CL-1-CSV-6.00	2	1	1-1/4	5/16	18
CL-2-CSV-18.00	CL-2-CSV-6.00	3	1-3/4	2	11/16	
CL-3-CSV-18.00	CL-3-CSV-6.00	4	2-1/2	3	7/8	

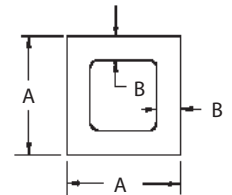


Cast Iron



SQUARE SECTIONS — CAST IRON

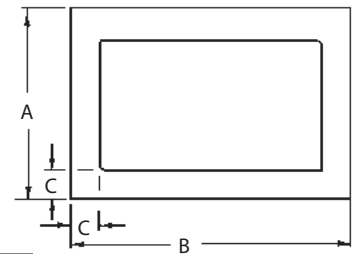
PART NO. FULL LENGTH	PART NO. 6" LENGTH	A	B	FULL LENGTH
CL-1-CSS-25.00	CL-1-CSS-6.00	3	1/2	25
CL-2-CSS-25.00	CL-2-CSS-6.00	4	5/8	
CL-3-CSS-25.00	CL-3-CSS-6.00	6	3/4	
CL-4-CSS-25.00	CL-4-CSS-6.00	8	1	



Cast Iron

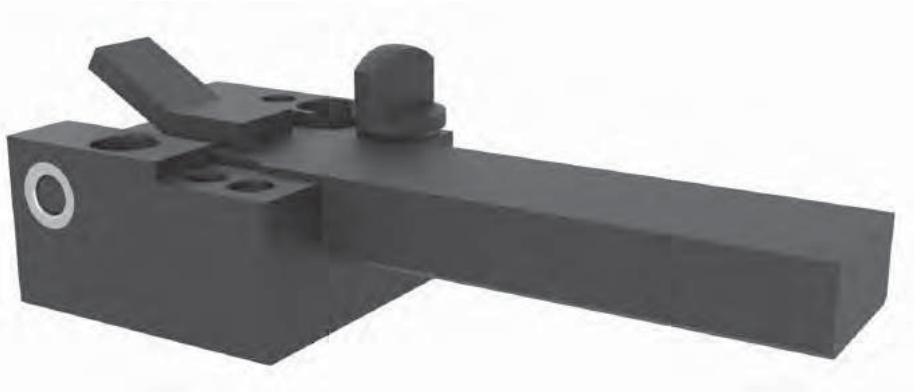
RECTANGULAR SECTIONS — CAST IRON

PART NO. FULL LENGTH	PART NO. 6" LENGTH	A	B	C	FULL LENGTH
CL-1-CSR-25.00	CL-1-CSR-6.00	4	6	5/8	25
CL-2-CSR-25.00	CL-2-CSR-6.00	6	8	3/4	
CL-3-CSR-25.00	CL-3-CSR-6.00	8	10	1	



HINGED BUSHING PLATES

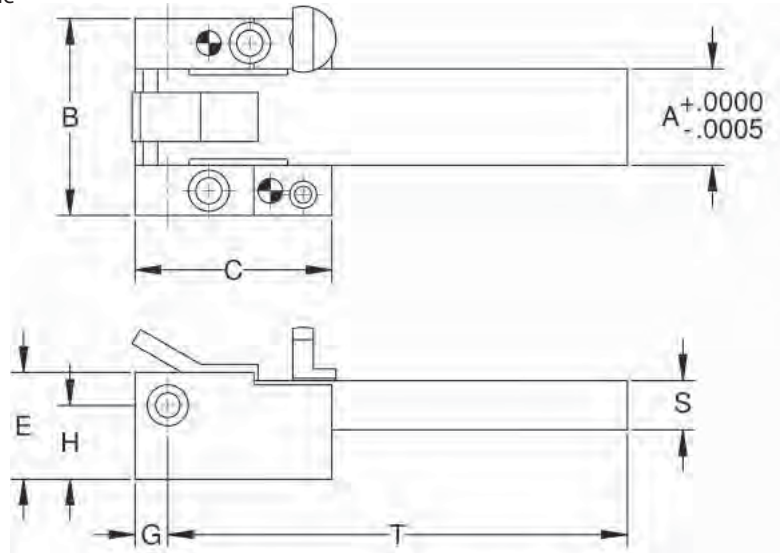
BASE: A36 STEEL, CARBURIZE-HARDENED, BLACK OXIDE FINISH
 ARM: A36 STEEL, WEAR SURFACES HARD WELDED & GROUND, BLACK OXIDE FINISH
 PIVOT PIN: 4130 STEEL, HEAT TREATED, BLACK OXIDE FINISH



Complete Assembly

New Item!

Hinged Bushing Plates are precise, heavy-duty bushing-plate assemblies for large-scale production jigs. The swing-away arm is precision ground but left unhardened for installing drill bushings (wear surfaces are hard welded and ground). The arm swings open a full 120° for loading clearance. The mounting base is hardened and precisely ground to provide accurate location. The base includes liner bushings as bearings for the hardened pivot pin, and a half-turn latch screw. Available in three sizes.

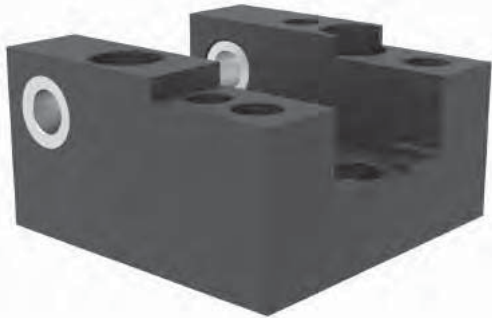


COMPLETE ASSEMBLY

PART NO.	A	B	C	E	G	H	S	T
CL-1-HBP	1.4675	3	3	1-5/8	.500	1.125	3/4	6.995
CL-2-HBP	1.9675	3-1/2	4	1-3/4	.500	1.250	1	9.500
CL-3-HBP	2.4675	4	5	2	.625	1.375	1-1/4	11.875

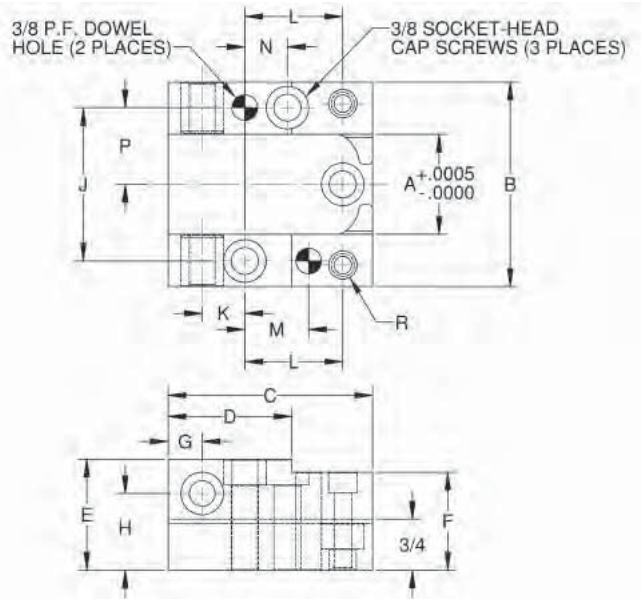
HINGED BUSHING PLATES

BASE: A36 STEEL, CARBURIZE-HARDENED, BLACK OXIDE FINISH
 ARM: A36 STEEL, WEAR SURFACES HARD WELDED & GROUND, BLACK OXIDE FINISH
 PIVOT PIN: 4130 STEEL, HEAT TREATED, BLACK OXIDE FINISH



Base Only

The base can be ordered separately if customer-made arms will be used. The base kit shown here includes all hardware including the liner bushings, pivot pin, setscrew, and half-turn latch screw.



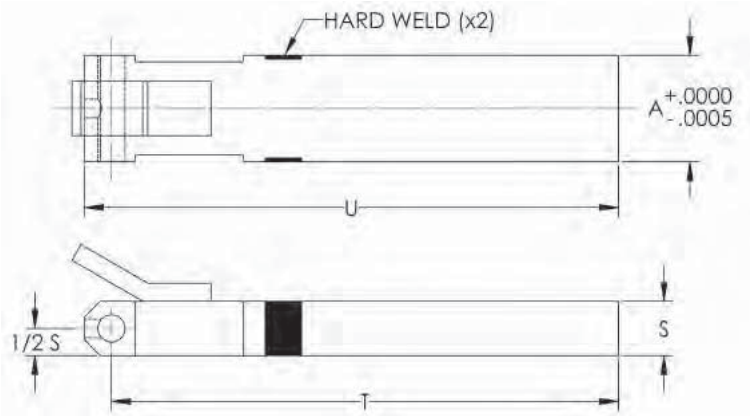
BASE KIT ONLY

PART NO.	A	B	C	D	E	F	G	H	J	K	L	M	N	P	R
CL-1-HBP-BK	1.468	3	3	1.81	1-5/8	1.43	.500	1.125	2.25	.625	1.438	.938	.625	1.125	5/16-18
CL-2-HBP-BK	1.968	3-1/2	4	2.50	1-3/4	1.68	.500	1.250	2.75	.750	2.250	1.500	.625	1.375	3/8-16
CL-3-HBP-BK	2.468	4	5	3.25	2	1.87	.625	1.375	3.25	.875	3.000	2.188	.750	1.625	1/2-13



Arm Only

Arms can be ordered separately, to use as replacements or to switch tooling. The pivot pin can be easily removed by loosening the setscrew, allowing quick arm changeover.



ARM ONLY

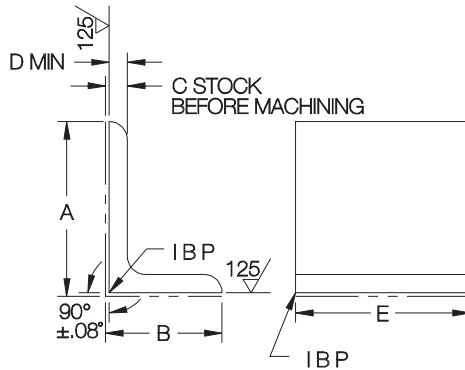
PART NO.	A	S	T	U
CL-1-HBP-A	1.4675	3/4	7.00	7-3/8
CL-2-HBP-A	1.9675	1	9.50	10
CL-3-HBP-A	2.4675	1-1/4	11.88	12-1/2

ANGLE BRACKETS

STEEL: ASTM A36, BLACK OXIDE FINISH
ALUMINUM: 6061-T6



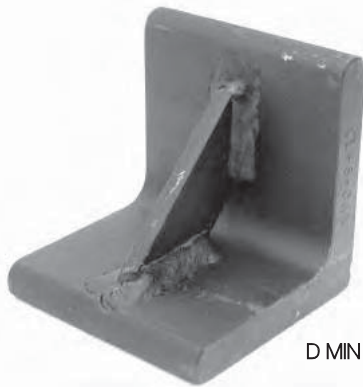
Precision setup angles machined flat and perpendicular to close tolerances. Available in steel or high-strength aluminum.



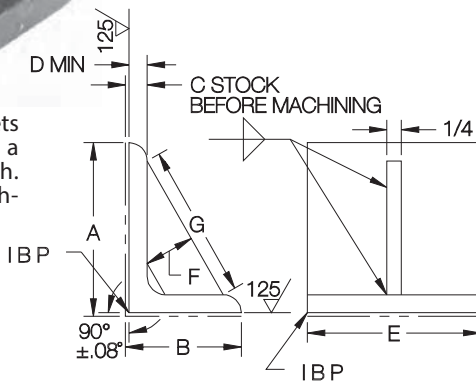
PART NO. STEEL	PART NO. ALUMINUM	A	B	C	D	E
CL-1-AB	—	2-1/2	2	1/4	7/32	1-1/2
CL-2-AB	CL-2-AB-A	2	2	3/8	5/16	2
CL-21-AB	—					3
CL-3-AB	CL-3-AB-A					4
CL-4-AB	—					6
CL-3A-AB	CL-3A-AB-A	3	2			2
CL-3B-AB	—					3
CL-22-AB	—					4
CL-5-AB	—					2
CL-6-AB	—	3	3	3		
CL-7-AB	—			4		
CL-23-AB	—			6		
CL-8-AB	—	4	4	1/2	7/16	4
CL-9-AB	—	3	3			2
CL-10-AB	CL-10-AB-A					3
CL-11-AB	—					4
CL-7A-AB	—	4	3			2
CL-7B-AB	—					3
CL-12-AB	CL-12-AB-A	4	4			3
CL-13-AB	CL-13-AB-A					4
CL-14-AB	—			5		
CL-24-AB	—			6		
CL-15-AB	CL-15-AB-A	6	4	4		
CL-16-AB	—			5		
CL-17-AB	CL-17-AB-A			6		
CL-18-AB	—	6	6	4		
CL-19-AB	—			5		
CL-20-AB	CL-20-AB-A			6		

GUSSETED ANGLE BRACKETS

STEEL: ASTM A36, BLACK OXIDE FINISH
ALUMINUM: 6061-T6



Similar to the Angle Brackets shown above, except with a gusset for added strength. Available in steel or high-strength aluminum.



PART NO. STEEL	PART NO. ALUMINUM	A	B	C	D	E	F	G
CL-3A-GAB	—	3	2	3/8	5/16	2	7/8	2-3/4
CL-3B-GAB	—					3		
CL-1-GAB	—	3	3			2		
CL-2-GAB	—					3		
CL-3-GAB	—					4		
CL-4-GAB	—					3		
CL-5-GAB	—	4	4			4		
CL-6-GAB	—					5		
CL-7-GAB	—	3	3	2				
CL-8-GAB	CL-8-GAB-A			3				
CL-9-GAB	—			4				
CL-7A-GAB	—	4	3	2				
CL-7B-GAB	—			3				
CL-10-GAB	CL-10-GAB-A	4	4	3				
CL-11-GAB	CL-11-GAB-A			4				
CL-12-GAB	—			5				
CL-13-GAB	CL-13-GAB-A			4				
CL-14-GAB	—	6	4	5				
CL-15-GAB	CL-15-GAB-A			6				
CL-16-GAB	—			4				
CL-17-GAB	—	6	6	5				
CL-18-GAB	CL-18-GAB-A			6				

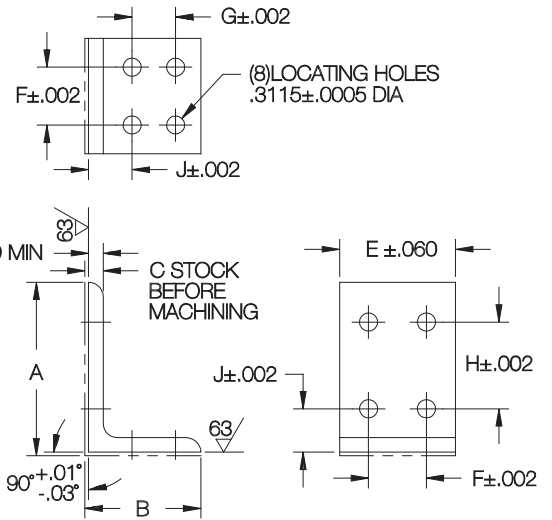
ANGLE BRACKETS WITH LOCATING HOLES

ASTM A36 STEEL, BLACK OXIDE FINISH



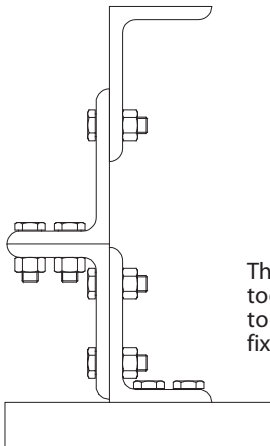
Angle Bracket

Extremely accurate angle brackets with precision locating holes. These angles are ideal for bolting together like an erector set to create large-scale tooling. The 90° angle and (8) locating holes are machined to close tolerances to maintain good accuracy in built-up tooling. Use with the precision locating bolts shown below.

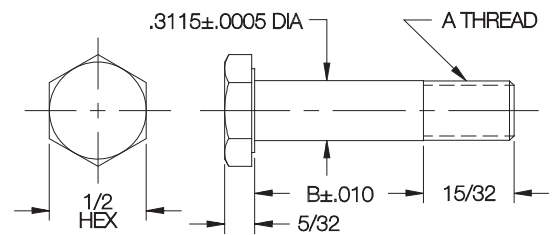


ANGLE BRACKETS

PART NO. STEEL	A	B	C	D	E	F	G	H	J
CL-1531-ABK	2	2	3/8	1/4	2	1.000	.750	.750	.750
CL-1532-ABK	3	2			4	3.000	.750	.750	
CL-1535-ABK	2	2	1/2	3/8	3	2.000	1.250	1.250	1.125
CL-1539-ABK	3	3			4	2.000	2.000	2.000	1.000
CL-1533-ABK	4	4			4	3.000	2.000	2.000	1.125
CL-15310-ABK	4	4			4	3.000	1.500	3.500	1.500
CL-1534-ABK	6	4	5/8	1/2	6	5.000	1.500	3.500	1.500
CL-1536-ABK	6	4					3.500		
CL-1538-ABK	6	4					3.500		
CL-1537-ABK	6	6							



These high-precision angles can be bolted together to build economical large-scale tooling. Ideal for assembly and welding fixtures.



ANGLE BRACKET LOCATING BOLTS AND HEX NUTS

PART NO. LOCATING BOLT	PART NO. HEX NUT	A	B
CL-506-ABLB	CL-5-FHN	5/16-24	.375
CL-508-ABLB			.500
CL-510-ABLB			.625
CL-512-ABLB			.750
CL-516-ABLB			1.000
CL-520-ABLB			1.250
CL-524-ABLB			1.500



Angle Bracket Locating Bolt



Hex Nut

Precision bolts for fastening angle brackets to each other, and to other tooling. Ground locating diameter provides a slight press fit when angles are bolted together. Steel.

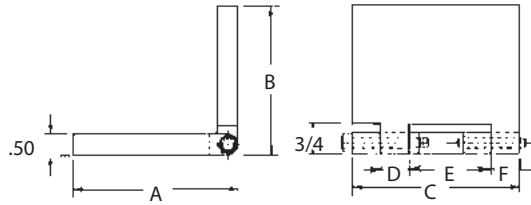
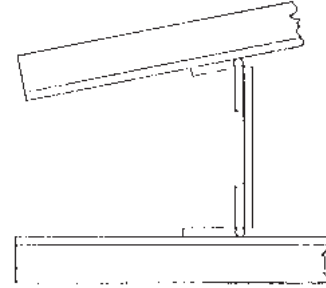
ADJUSTABLE ANGLES

1018 STEEL, BLACK OXIDE FINISH
 PATENT NO. 3,039,570



Plain

Precision angle with accurately machined sides and a close-tolerance hinge. Available either plain, with tabs for welding on a gusset, or with a removable pivot pin.



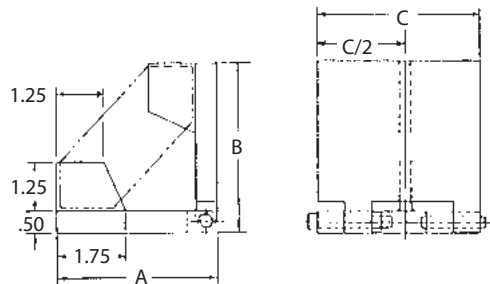
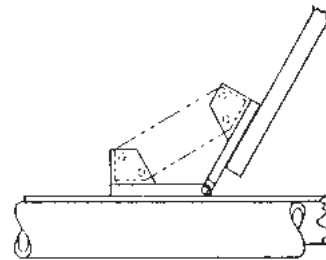
PLAIN

PART NO.	A	B	C	D	E	F
CL-AA-4P	3	3	3	5/8	1-1/8	5/8
CL-AA-3P			4	3/4	1-3/4	3/4
CL-AA-2P	4	3/4	4	3/4	1-3/4	3/4
CL-AA-1P		4				

9



Gusseted

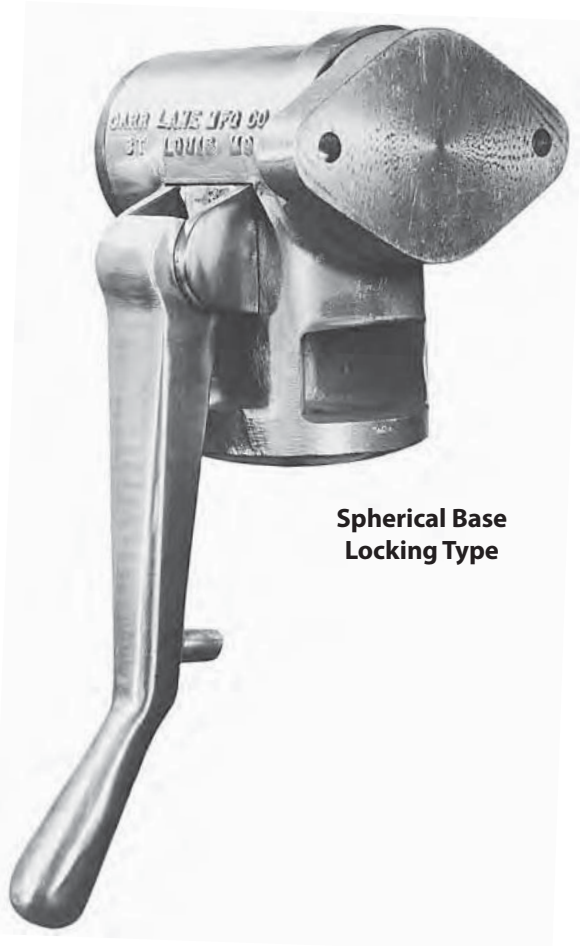


GUSSETED

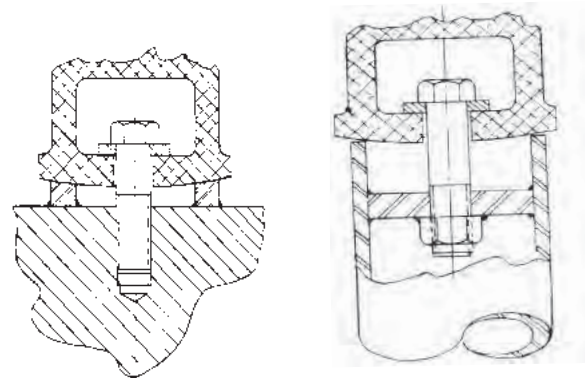
PART NO.	A	B	C	D	E	F
CL-AA-4G	3	3	3	5/8	1-1/8	5/8
CL-AA-1G	4	4	4	3/4	1-3/4	3/4

SPHERICAL TRUNNIONS

ARM: TENZALOY ALUMINUM ALLOY
BODY: ALUMINUM WITH BRONZE BEARINGS

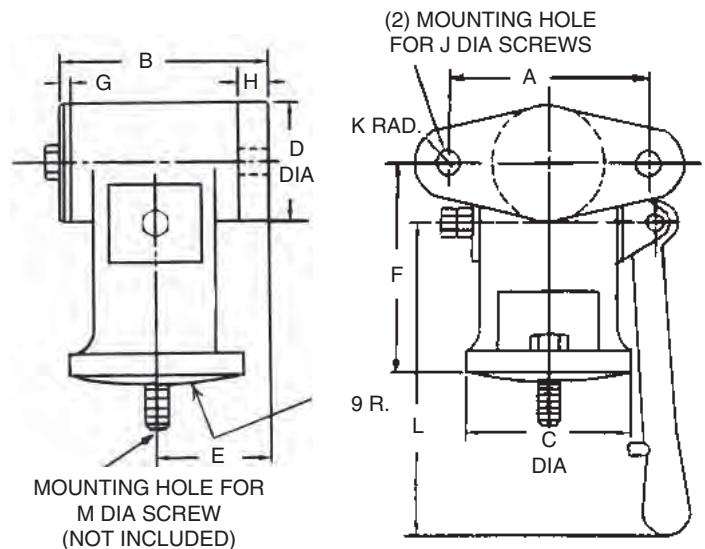


**Spherical Base
Locking Type**



Spherical Trunnions are ideal for mounting on pipe frames and other cylindrical bases.

Trunnions are rugged, precision bearing mounts for revolving fixtures. Ideal for assembly and welding fixtures, and any other applications where the part must be accessible from all sides. Spherical Trunnions are ideal for mounting on pipe frames and other cylindrical bases. These locking trunnions have a friction mechanism that stops the rotor at any angle by lowering the handle (lift handle again to unlock). Often used in pairs, to distribute the load between them without bending forces. Choice of two sizes. Made in USA.

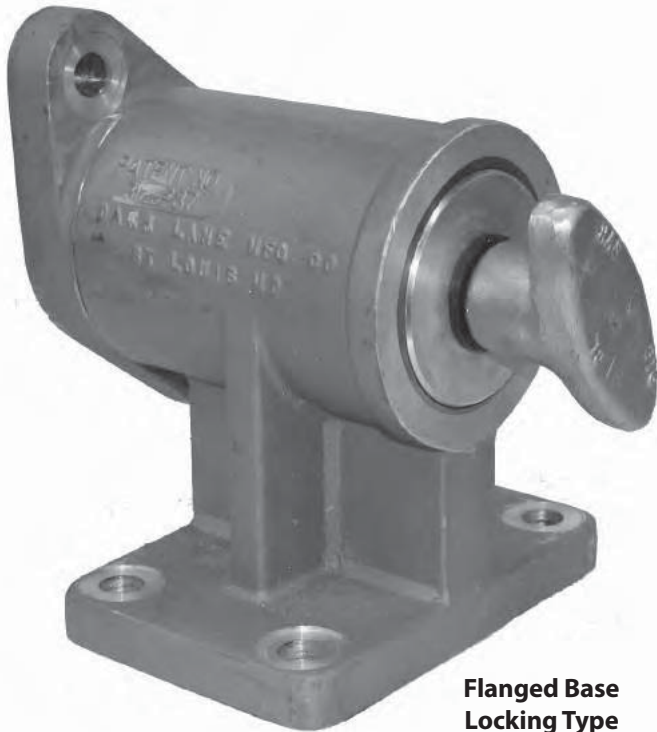


SPHERICAL BASE — LOCKING TYPE

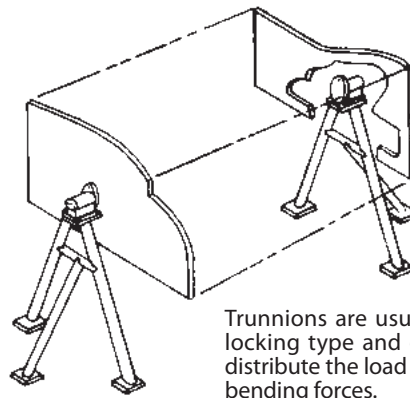
PART NO.	LOAD CAPACITY (18" from face)	A	B	C DIA	D DIA	E	F	G	H	J	K	L	M
CL-5-TL	1800 lbs	4	5-1/16	3-1/2	3-1/4	2-3/4	4-3/16	5/16	13/16	3/8 or M10	9/16	9	5/8 or M16
CL-6-TL	2500 lbs	5-5/8	7	5-1/8	4-1/4	4	5-5/8	1/4	1-1/8	5/8 or M16	1	12-1/4	1 or M24

TRUNNIONS

ARM: TENZALOY ALUMINUM ALLOY
 BODY: ALUMINUM WITH BRONZE BEARINGS
 PATENT NO. 3,129,937

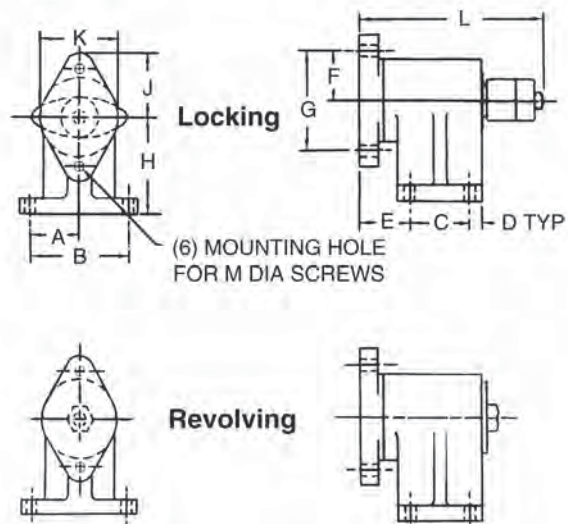


**Flanged Base
 Locking Type**



Trunnions are usually used in pairs, one locking type and one revolving type, to distribute the load between them without bending forces.

Trunnions are rugged, precision bearing mounts for revolving fixtures. Ideal for assembly and welding fixtures, and any other applications where the part must be accessible from all sides. Usually used in pairs, one locking Trunnion and one revolving Trunnion, to distribute the load between them without bending forces. The locking version, shown here, has a friction-cone mechanism that stops the rotor at any angle by tightening the knob handle (loosen knob again to unlock). The revolving version has a free-rotating bearing at both ends of the rotor shaft, with no locking mechanism. Choice of two sizes. Made in USA.



FLANGED BASE — LOCKING TYPE

PART NO.	LOAD CAPACITY (18" from face)	A	B	C	D	E	F	G	H	J	K	L	M
CL-1-TL	1800 lbs	2	4	2-3/8	1/2	1-7/8	2	4	4	2-5/8	3-1/4	7	3/8 or M10
CL-2-TL	2500 lbs	2-7/8	5-3/4	3-3/8	3/4	2-5/8	2-13/16	5-5/8	5-1/4	3-3/4	4-1/4	9	5/8 or M16

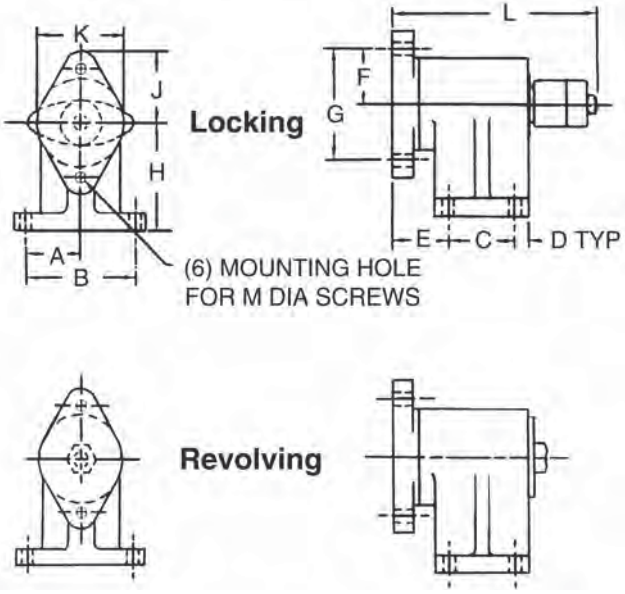
TRUNNIONS

ARM: TENZALOY ALUMINUM ALLOY
 BODY: ALUMINUM BRONZE BEARINGS
 PATENT NO. 3,129,937



**Flanged Base
 Revolving Type**

Trunnions are rugged, precision bearing mounts for revolving fixtures. Ideal for assembly and welding fixtures, and any other applications where the part must be accessible from all sides. Usually used in pairs, one locking Trunnion and one revolving Trunnion, to distribute the load between them without bending forces. The locking version has a friction-cone mechanism that stops the rotor at any angle by tightening the knob handle (loosen knob again to unlock). The revolving version, shown here, has a free-rotating bearing at both ends of the rotor shaft, with no locking mechanism. Choice of two sizes. Made in USA.



FLANGED BASE — REVOLVING TYPE

PART NO.	LOAD CAPACITY (18" from face)	A	B	C	D	E	F	G	H	J	K	L	M
CL-1-TR	1800 lbs	2	4	2-3/8	1/2	1-7/8	2	4	4	2-5/8	3-1/4	5-7/16	3/8 or M10
CL-2-TR	2500 lbs	2-7/8	5-3/4	3-3/8	3/4	2-5/8	2-13/16	5-5/8	5-1/4	3-3/4	4-1/4	7-5/8	5/8 or M16

TECHNICAL INFORMATION ADJUSTABLE LOCKING HUBS

TYPES AVAILABLE



**Heavy-Duty—Stainless Steel
Two Round Ends**
INFO+: Page 387



**Heavy-Duty—Stainless Steel
Two Mounting Flanges**
INFO+: Page 388



**Heavy-Duty—Stainless Steel
Mounting Flange & Round End**
INFO+: Page 389



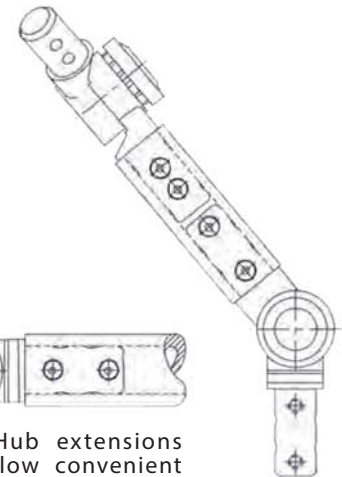
**Medium-Duty—Thermoplastic
Two Square Ends**
INFO+: Page 390

APPLICATION EXAMPLES

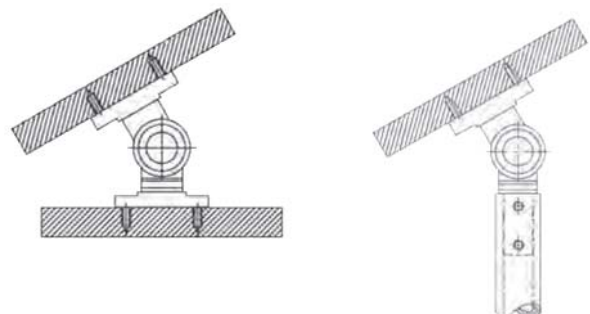


Adjustable Locking Hubs are often used in pairs, with both push buttons facing outward for easy access.

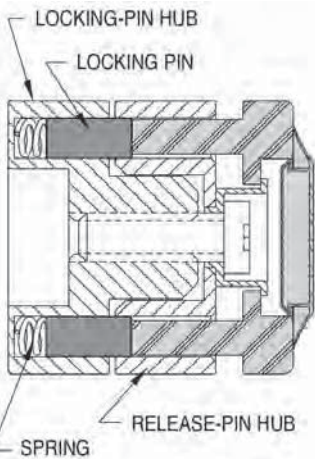
Connect two Adjustable Locking Hubs at 90° (with pipe or tubing) for full 5-Axis positioning.



Hub extensions allow convenient mounting to flat plates and angles, as well as to pipe and tubing.

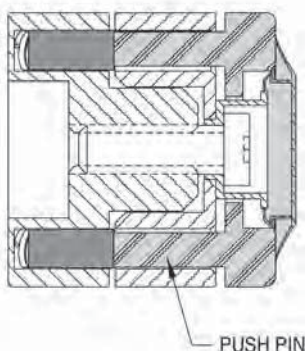


Mounting flanges are ideal for attaching Adjustable Locking Hubs to flat surfaces. Heavy-duty hubs are available with either two mounting flanges, or one mounting flange and one round end.



Locked

In locked position, the locking-pin hub and release-pin hub are positively engaged by high-strength locking pins.

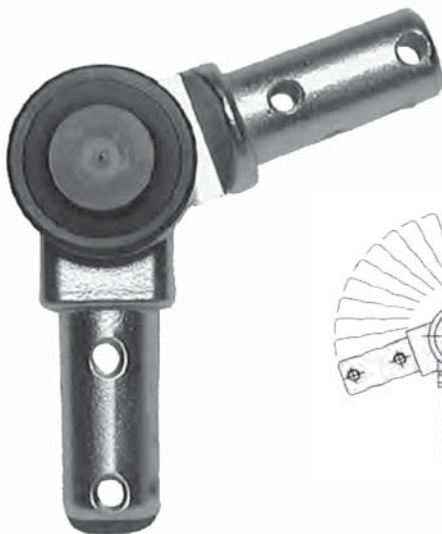


Unlocked

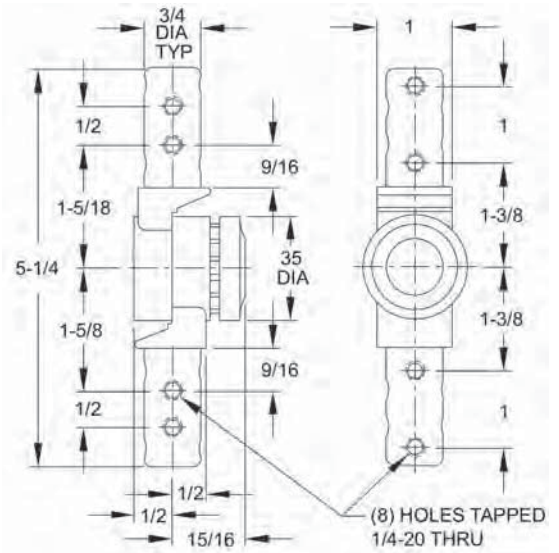
When the release button is pressed, against spring force, push pins force the locking pins to disengage. The hub is now free to rotate. After reaching the desired angle, releasing the button again allows the locking pins to extend back into locked position.

ADJUSTABLE LOCKING HUBS

BODY: 300-SERIES STAINLESS STEEL, ELECTRO POLISHED. PINS: 416 STAINLESS STEEL, HEAT TREATED
 RELEASE BUTTON: BLACK THERMOPLASTIC.
 US PATENT NO. 5,586, 363 AND 5,689,999. OTHER PATENTS PENDING.



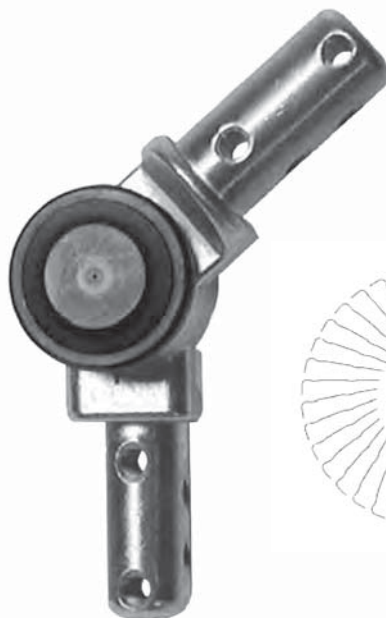
**Heavy Duty—
Stainless Steel
Two Round Ends
Inline
(220° Adjustment)**



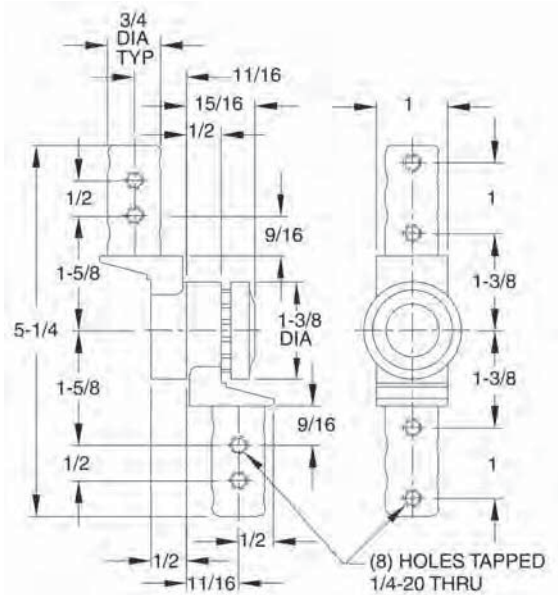
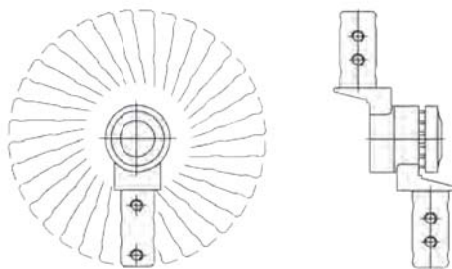
Adjustable Locking Hubs are rotary bearings that provide positive locking at any 10° increment. Once locked, the hub becomes an absolutely rigid joint, able to withstand 80 ft.-lbs. of torque (5:1 safety factor). Round Hub extensions fit 3/4" ID pipe or tubing. The tapped mounting holes can also be used to attach a plate or angle. Applications include adjustable fixtures, rotating fixtures, welding fixtures, trunnion mounting, adjustable and/or foldable handles, adjustable part trays and shelves, adjustable and/or flip-up work surfaces, positive positioning of spotlights or nozzles, and collapsible structures. Also available in alloy steel with a black finish (CL-100-ALH).

INLINE (220° ADJUSTMENT)

PART NO.	TOTAL ADJUSTMENT RANGE	ADJUSTMENT INCREMENTS	ALLOWABLE TORQUE (FT-LB)
CL-100-ALH-S	220°	10°	80



**Heavy Duty—
Stainless Steel
Two Round Ends
Offset
(360° Rotation)**



OFFSET (360° ROTATION)

PART NO.	TOTAL ADJUSTMENT RANGE	ADJUSTMENT INCREMENTS	ALLOWABLE TORQUE (FT-LB)
CL-101-ALH-S	360°	10°	80

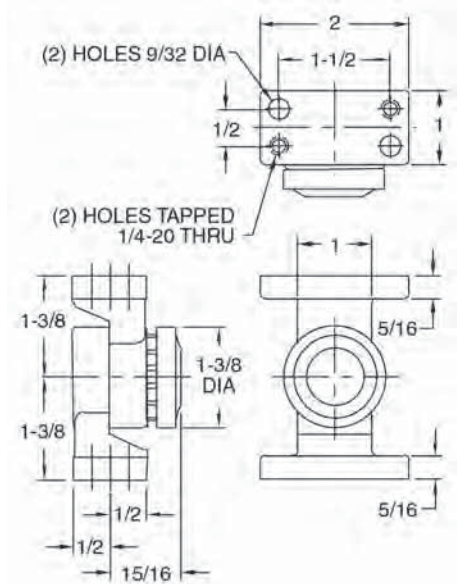
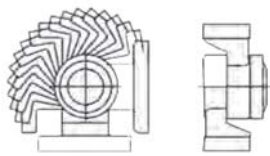
Similar to the Locking Hub above, except hub extensions are offset to allow full 360° rotation. Offset Locking Hubs should usually be used in pairs, to avoid off-center loading on a single hub. Make sure that rotating loads are balanced and avoid any possible pinch points, in case hubs are suddenly unlocked and the load is allowed to rotate freely.

ADJUSTABLE LOCKING HUBS

BODY: 300-SERIES STAINLESS STEEL, ELECTRO POLISHED. PINS: 416 STAINLESS STEEL, HEAT TREATED
 RELEASE BUTTON: BLACK THERMOPLASTIC.
 US PATENT NO. 5,586, 363 AND 5,689,999. OTHER PATENTS PENDING.



**Heavy Duty—
Stainless Steel
Two Mounting Flanges
Inline
(180° Adjustment)**



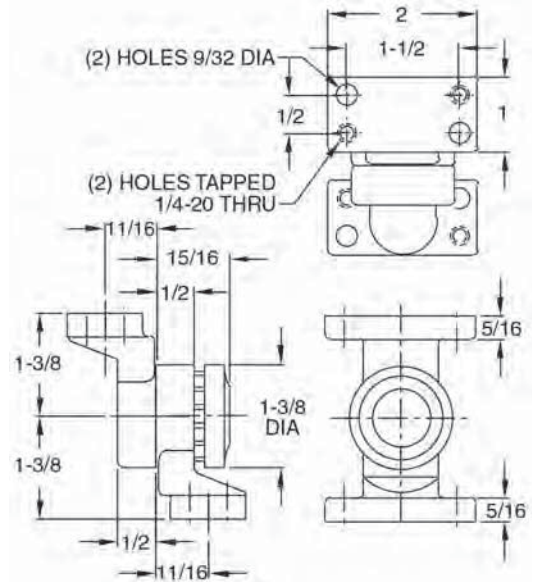
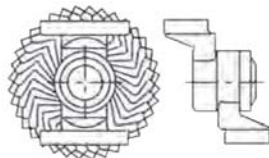
Adjustable Locking Hubs are rotary bearings that provide positive locking at any 10° increment. Once locked, the hub becomes an absolutely rigid joint, able to withstand 80 ft.-lbs. of torque (5:1 safety factor). Mounting flanges provide two mounting options: (1) two 1/4-20 tapped holes allow fastening an object to the mounting flange; (2) two 9/32 dia clearance holes for 1/4" screws allow fastening the mounting flange to a surface. Applications include adjustable fixtures, rotating fixtures, welding fixtures, trunnion mounting, adjustable and/or foldable handles, adjustable part trays and shelves, adjustable and/or flip-up work surfaces, positive positioning of spotlights or nozzles, and collapsable structures.

INLINE (220° ADJUSTMENT)

PART NO.	TOTAL ADJUSTMENT RANGE	ADJUSTMENT INCREMENTS	ALLOWABLE TORQUE (FT-LB)
CL-120-ALH-S	180°	10°	80



**Heavy Duty—
Stainless Steel
Two Mounting Flanges
Offset
(360° Rotation)**



Similar to the Locking Hub above, except hub extensions are offset to allow full 360° rotation. Offset Locking Hubs should usually be used in pairs, to avoid off-center loading on a single hub. Make sure that rotating loads are balanced and avoid any possible pinch points, in case hubs are suddenly unlocked and the load is allowed to rotate freely.

OFFSET (360° ROTATION)

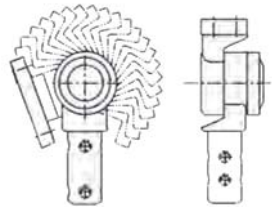
PART NO.	TOTAL ADJUSTMENT RANGE	ADJUSTMENT INCREMENTS	ALLOWABLE TORQUE (FT-LB)
CL-121-ALH-S	360°	10°	80

ADJUSTABLE LOCKING HUBS

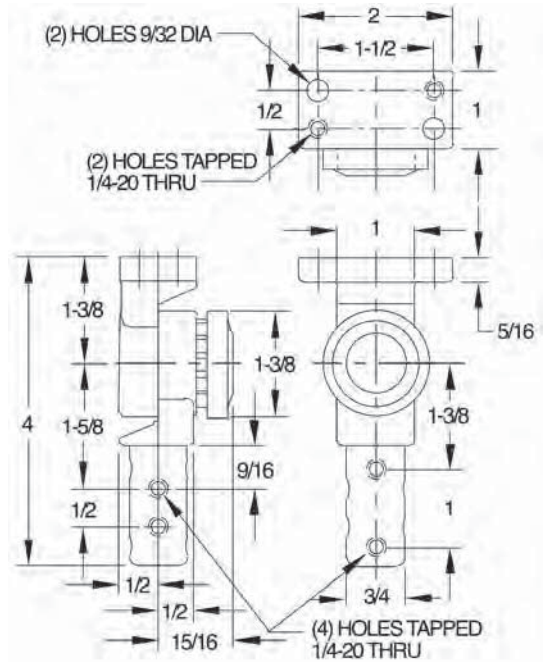
BODY: 300-SERIES STAINLESS STEEL, ELECTRO POLISHED. PINS: 416 STAINLESS STEEL, HEAT TREATED
 RELEASE BUTTON: BLACK THERMOPLASTIC.
 US PATENT NO. 5,586,363 AND 5,689,999. OTHER PATENTS PENDING.



**Heavy Duty—
Stainless Steel
Mounting Flange &
Round End Inline
(220° Adjustment)**



Adjustable Locking Hubs are rotary bearings that provide positive locking at any 10° increment. Once locked, the hub becomes an absolutely rigid joint, able to withstand 80 ft.-lbs. of torque (5:1 safety factor). The round hub extension fits 3/4" ID pipe or tubing. The tapped mounting holes can also be used to attach a plate or angle. The mounting flange provides two mounting options: (1) two 1/4-20 tapped holes allow fastening an object to the mounting flange; (2) two 9/32 dia clearance holes for 1/4" screws allow fastening the mounting flange to a surface. Applications include adjustable fixtures, rotating fixtures, welding fixtures, trunnion mounting, adjustable and/or foldable handles, adjustable part trays and shelves, adjustable and/or flip-up work surfaces, positive positioning of spotlights or nozzles, and collapsible structures.

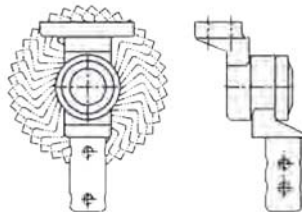


INLINE (220° ADJUSTMENT)

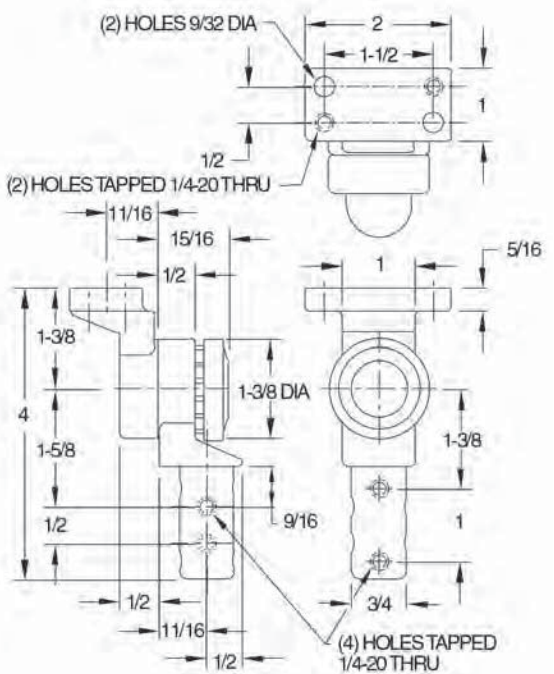
PART NO.	TOTAL ADJUSTMENT RANGE	ADJUSTMENT INCREMENTS	ALLOWABLE TORQUE (FT-LB)
CL-110-ALH-S	220°	10°	80



**Heavy Duty—
Stainless Steel
Mounting Flange &
Round End Offset
(360° Rotation)**



Similar to the Locking Hub above, except hub extensions are offset to allow full 360° rotation. Offset Locking Hubs should usually be used in pairs, to avoid off-center loading on a single hub. Make sure that rotating loads are balanced and avoid any possible pinch points, in case hubs are suddenly unlocked and the load is allowed to rotate freely.



OFFSET (360° ROTATION)

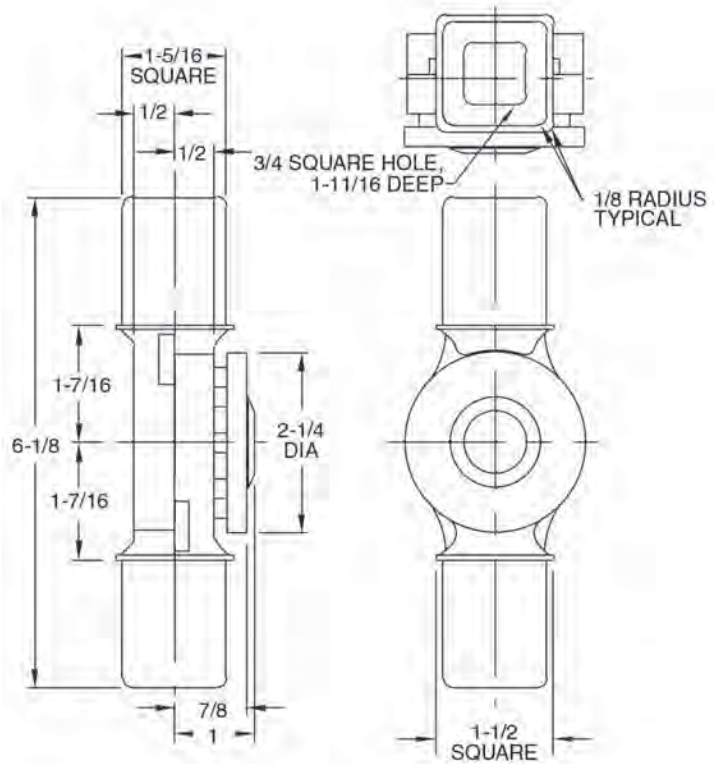
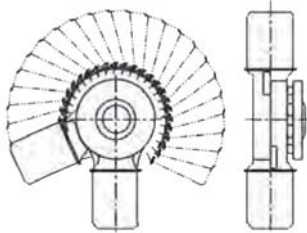
PART NO.	TOTAL ADJUSTMENT RANGE	ADJUSTMENT INCREMENTS	ALLOWABLE TORQUE (FT-LB)
CL-111-ALH-S	360°	10°	80

ADJUSTABLE LOCKING HUBS

BLACK THERMOPLASTIC (DUPONT ZYTEL™).
 US PATENT NO. 5,586, 363 AND 5,689,999. OTHER PATENTS PENDING.



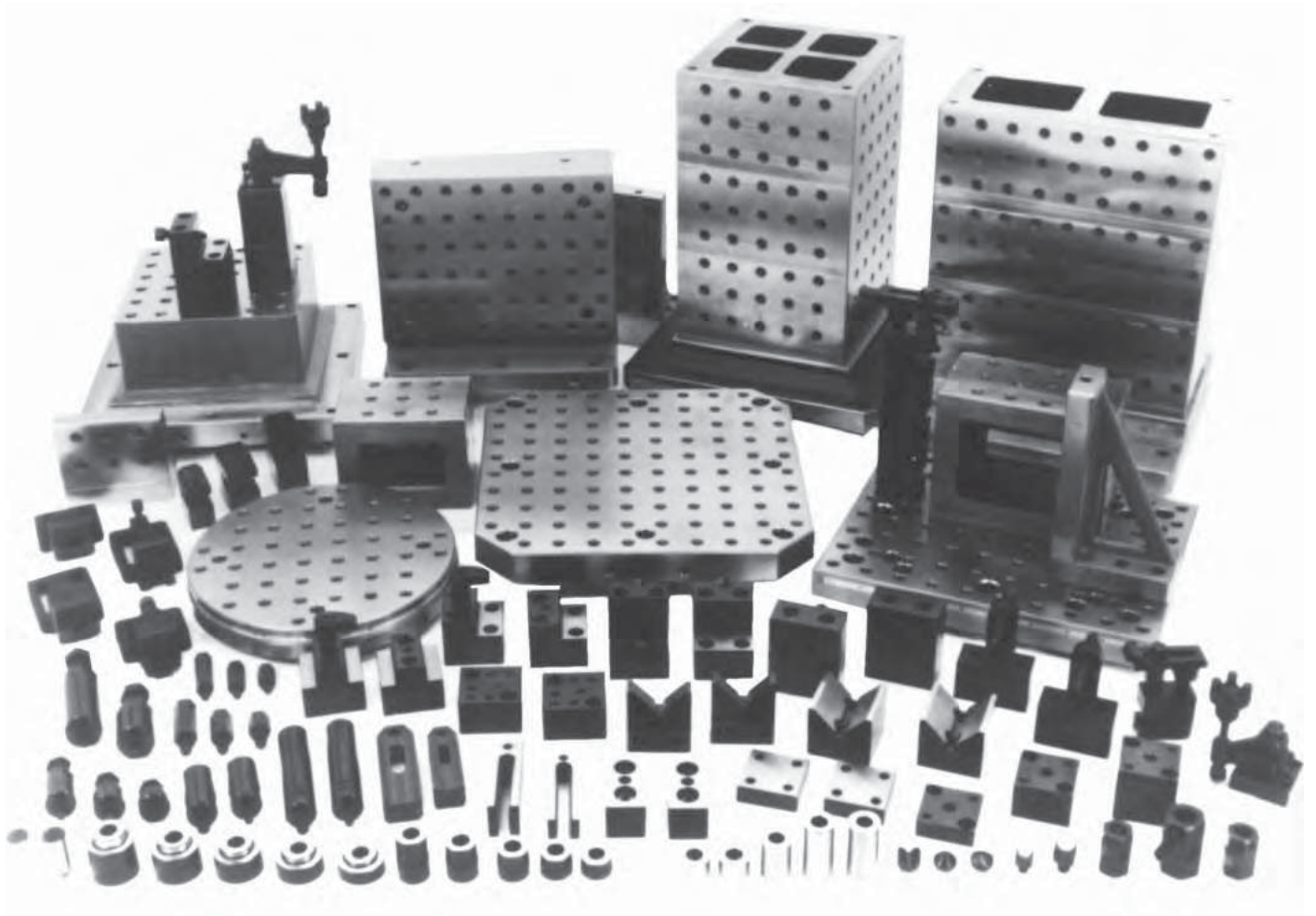
**Medium Duty—
 Thermoplastic
 Two Square Ends
 Inline
 (220° Adjustment)**



Economical-yet-rugged Locking Hub made of tough black thermoplastic. These Adjustable Locking Hubs are rotary bearings that provide positive locking at any 10° increment. Once locked, the hub becomes an absolutely rigid joint, able to withstand 33 ft.-lbs. of torque (5:1 safety factor). The square hub extensions fit 1-1/2" O.D. square tubing externally, or 3/4" O.D. square tubing or barstock internally. Hub extensions are sturdy, and can be easily modified to attach to flat surfaces. Applications include adjustable fixtures, rotating fixtures, trunnion mounting, adjustable and/or foldable handles, adjustable part trays and shelves, adjustable and/or flip-up work surfaces, positive positioning of spotlights or nozzles, and collapsible structures.

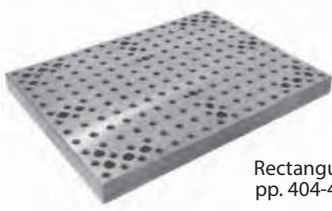
INLINE (220° ADJUSTMENT)

PART NO.	TOTAL ADJUSTMENT RANGE	ADJUSTMENT INCREMENTS	ALLOWABLE TORQUE (FT-LB)
CL-40-ALH-B	220°	10°	33

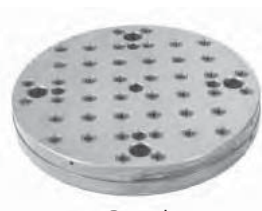


PICTORIAL INDEX

TOOLING PLATES & BLOCKS



Rectangular
pp. 404-405



Round
p. 406



Square Pallet
p. 407



Platform
p. 408



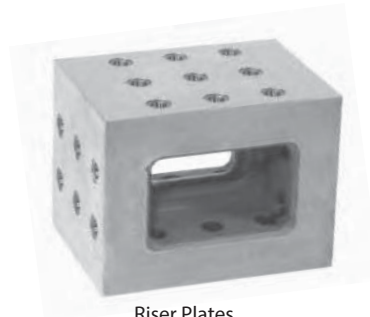
Angle
p. 409



Two-Sided Blocks
p. 410



Four-Sided
Blocks
p. 411



Riser Plates
p. 412



Angle Plates
p. 413

MOUNTING ACCESSORIES



Locating Screws
and Bushings
p. 414



Socket-Head
Cap Screws
p. 414



Locating
Gages
p. 415



Locating
Pins
p. 415



Hex-Head Cap
Screws
p. 415



Protection
Plugs
p. 415

SUPPORTS & LOCATORS



Support Riser Blocks
p. 416



Extension Supports
pp. 417-418



Height Shims
p. 419



Riser Cylinders
p. 419



Edge Supports
p. 422



Support Cylinders
pp. 420-421



Screw Rest Pads
p. 423



V Blocks
pp. 423-424



Screw Jacks
pp. 425-426



Manual Work Supports
p. 426



Stop-Spring-Button Adaptors
p. 427

CLAMPS



Slotted-Heel Clamp Straps
p. 428



Double-End Clamp Straps
p. 429



High-Rise Clamps
pp. 430-432



Contact Bolts
p. 433



Up-Thrust Clamps
p. 434



Swing Clamp Assemblies
p. 434



Hook Clamps
p. 435



Forged Adjustable Clamps
p. 436



Cam Edge Clamps
p. 436



Pivoting Edge Clamps
p. 437



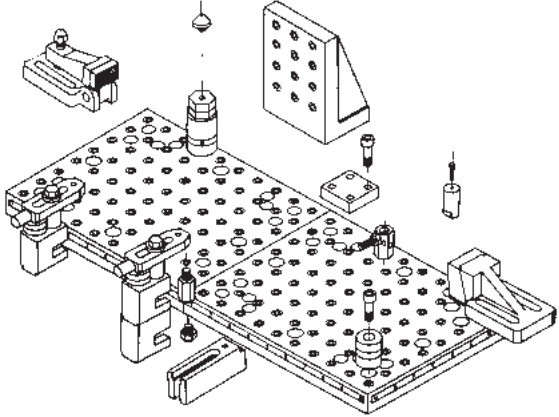
Serrated Adjustable Clamps
pp. 438-439



Screw Clamp Adaptors
p. 440

INTRODUCTION

What exactly is modular fixturing? In many ways modular fixturing is just like permanent fixturing, except for a few key differences. First, modular fixtures can be assembled entirely from reusable off-the-shelf components, without machining. Next, many modular components are adjustable and universal. Finally, specially designed tooling plates and blocks, with a standard grid pattern, are the foundation of a good modular system.



A VALUABLE TOOL FOR EVERY MACHINE SHOP:

Most metal-machining manufacturers have good applications for temporary fixturing every day! The leadtime and expense required to build a permanent fixture are often difficult to justify. This is especially true when production runs are small and do not repeat on a regular basis. General-purpose workholders — such as vises, chucks, and table mounted clamps — can be ready for production on short notice, but they are primarily suited for short runs of basic parts. Fortunately, there is now another alternative: modular fixturing. When a company adds modular fixturing to its options, even job-shop-type production can benefit from quality fixturing.

GOOD APPLICATIONS FOR MODULAR FIXTURING:

Modular fixturing is an ideal answer to many workholding problems. One-time jobs, found especially in job shops, are ideal for modular fixturing; with modular fixturing, a workholder can be economically built even for a one-part run. Jobs that do not repeat on a regular basis are well suited to modular fixturing; modular fixturing permits rapid setup of short-notice production runs. Modular fixturing is also ideal for prototype parts; since prototypes are often changed or redesigned, the cost of building a permanent fixture for each new variation would be prohibitive. Replacement parts are another perfect application; modular fixturing allows a company to respond to orders as they are received, instead of shipping parts from an inventory. Trial fixturing is also an excellent application; modular workholders allow a designer to fine tune tooling ideas before a final production workholder is built. Finally, modular fixturing is valuable while permanent fixtures are built or repaired.

THE WIDEST SELECTION OF TOOLING PLATES & BLOCKS:

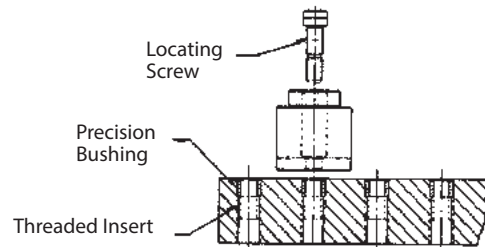
Tooling plates and blocks are the main structural elements of any modular-fixturing system. The type, style, and number of plates and blocks available determine the variety of fixtures that can be built, and also the number of machine tools that can be used. The Carr Lane Manufacturing modular system has the largest selection of tooling plates and blocks available anywhere.

GRID HOLES VS. EARLIER T-SLOT SYSTEMS:

The two primary forms of modular systems available today are those with grid-pattern holes and earlier types with T slots to mount components. Grid holes offer many advantages over T slots. Modular systems with grid holes have greater positional accuracy and strength than those with T slots. T-slot systems permit movement along the slot, so nothing but friction holds components in place. Wherever T slots cross each other, a weak point exists.

MULTIPURPOSE GRID HOLES OFFER MAXIMUM FLEXIBILITY:

Grid-pattern modular-fixturing systems come in two styles: those with alternating dowel holes and tapped holes and those with multipurpose holes. The alternating-hole style does not offer as many advantages as the Carr Lane Manufacturing multipurpose-hole style. Multipurpose holes have both an alignment bushing and threaded insert in the same hole. This arrangement permits each hole to serve as an alignment hole, mounting hole, or both. Multipurpose holes are laid out in a standard 1" or 2" grid pattern (depending on the size) to allow the maximum number of mounting locations.

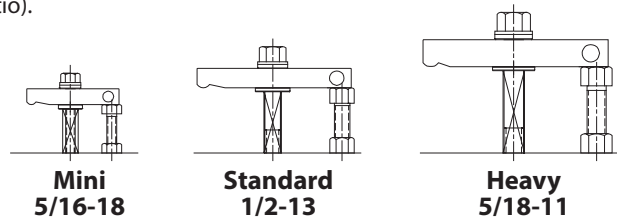


POWER WORKHOLDING CAPABILITY:

The ability to use hydraulic power workholding is another consideration in the selection of a modular-workholding system. A modular system should treat power workholding as an integral part of the complete fixturing plan. Instead of requiring special power components, a good modular system uses standard, off-the-shelf power workholding components. Adapting standard power components to modular workholders both reduces cost and expands design options. ROEMHELD power clamps and work supports are the finest available, and work hand-in-hand with the Carr Lane Manufacturing modular system. Also, our HILMA precision hydraulic vises work perfectly with modular tooling plates and blocks.

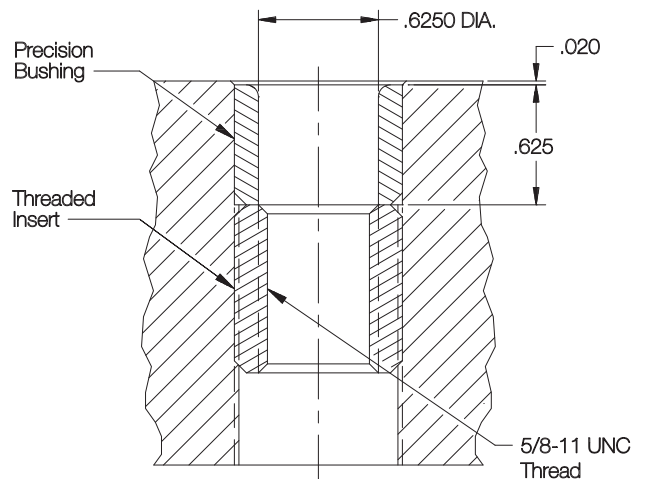
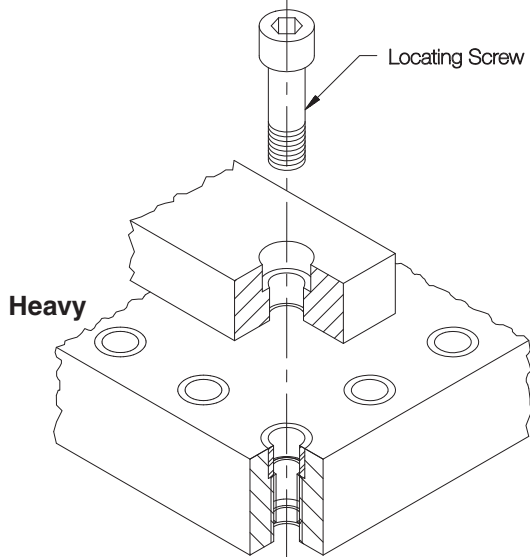
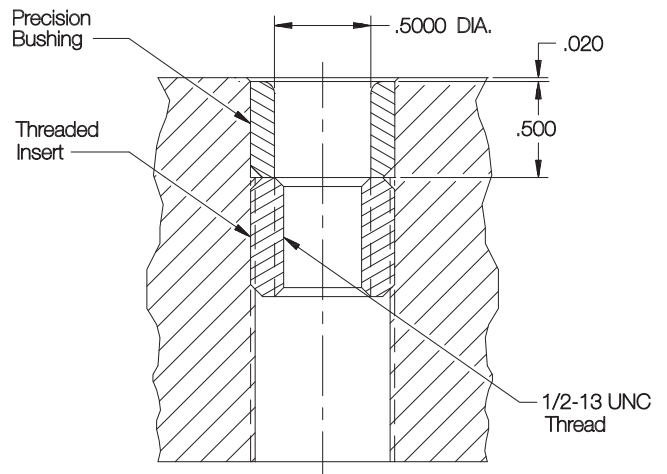
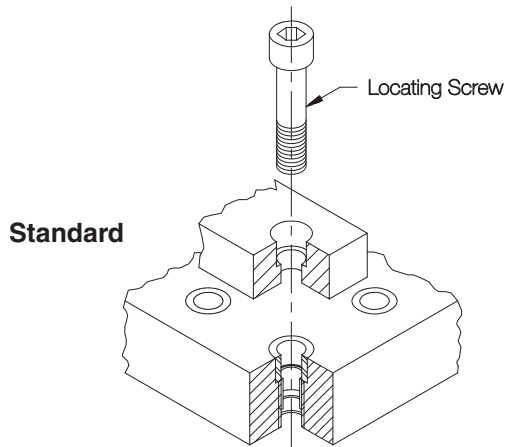
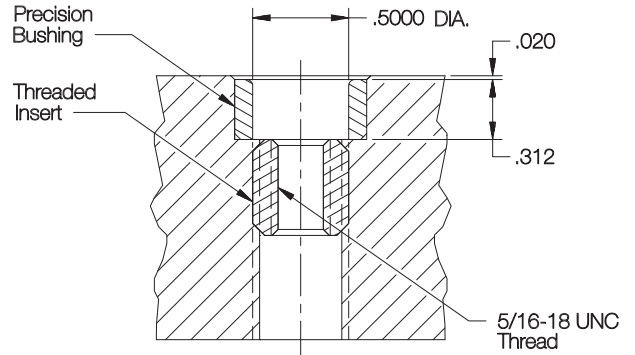
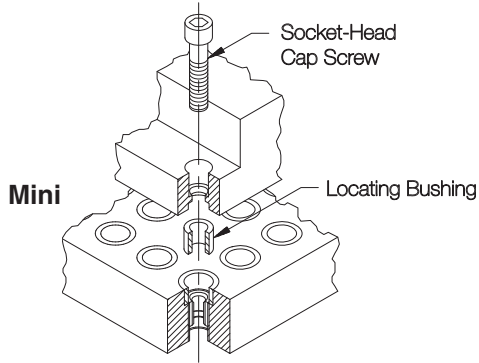
CHOICE OF THREE SYSTEM SIZES:

A good modular-fixturing system needs to accommodate a wide range of workpiece sizes. Only Carr Lane Manufacturing offers a full line of modular components in three system sizes. As a comparison to choose the proper system size, the table below shows typical clamping force exerted by clamp straps in each size (2-to-1 lever ratio).



SIZE	STUD SIZE	RECOMMENDED TORQUE (FT-LBS)	CLAMPING FORCE (LBS)
MINI	5/16-18	9	900
STANDARD	1/2-13	38	2300
HEAVY	5/8-11	77	3700

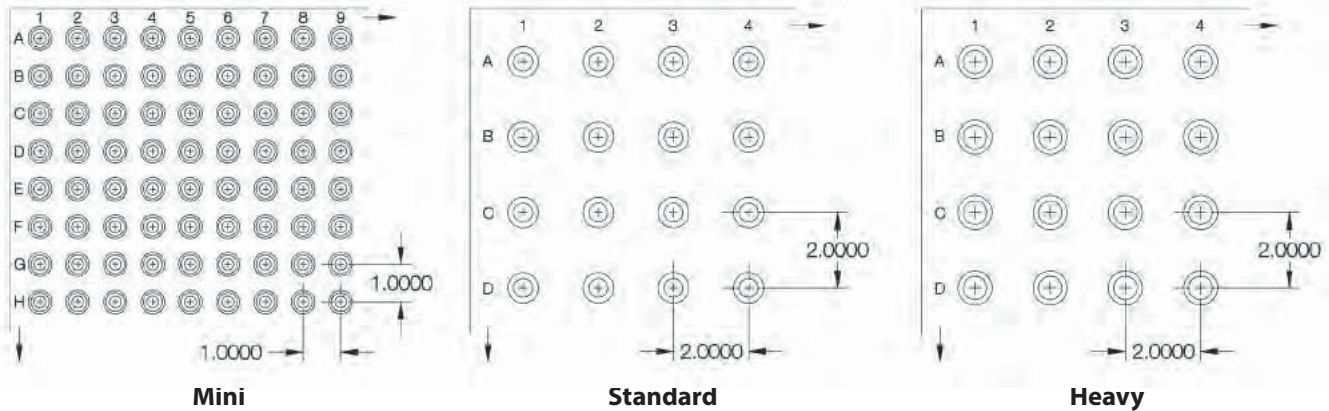
MULTIPURPOSE HOLES



Every multipurpose hole on a tooling plate or block has a precision alignment bushing on top, with a threaded insert below it. Multipurpose holes will accept Locating Screws, Socket-Head Cap Screws, studs, and many other threaded components. The proper mounting screw for each component is listed in its table of dimensions. Locating Screws are used to locate and fasten at the same time. Note: mini-size systems use a Locating Bushing together with a Socket-Head Cap Screw for extra strength, instead of a Locating Screw.

TECHNICAL INFORMATION

GRID ADDRESS SYSTEM



The grid pattern of multipurpose holes on every tooling plate and tooling block face is labelled with letters in one direction and numbers in the perpendicular direction. Tooling-block faces are numbered (counterclockwise) with Roman numerals. This allows recording the mounting-hole location of each component (e.g., A2, B3, D7, etc.) as part of permanent documentation.

Multipurpose holes are spaced within $\pm.0008$ inches of true position on all tooling plates and blocks. The mini system is even more accurate, with all holes spaced within $\pm.0004$ inches.

CUSTOM TOOLING PLATES

To build your own custom tooling plates with multipurpose mounting holes, we offer precision bushings and threaded inserts separately. See hole locations and tolerances above (holes must be jig bored), and **(INFO+)** page 395 for proper counterbore depth to install bushings. The threaded insert's locking keys can be driven down by the bushing as it is pressed into the tooling plate.



Precision Bushing



Key Insert

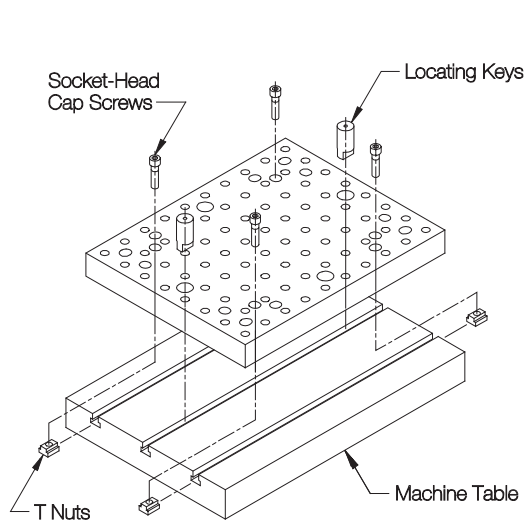
PRECISION BUSHINGS

SIZE	PART NO.	ID	OD	LENGTH
MINI	CL-MF25-0101-02	.5003/.5005	.6247/.6244	.312
STANDARD	CL-MF40-0101-02	.5006/.5013	.8122/.8119	.500
HEAVY	CL-MF50-0101-02	.6256/.6263	.9060/.9056	.625

KEY INSERTS

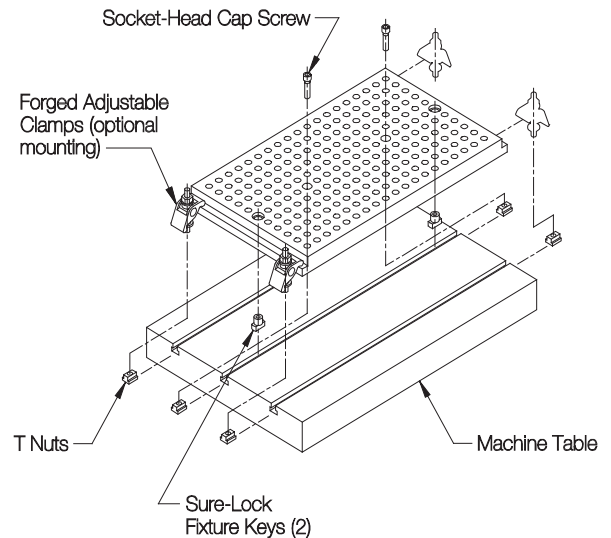
SIZE	PART NO.	ID	OD	LENGTH
MINI	CL-51618-KS	5/16-18	1/2-13	7/16
STANDARD	CL-1213-KS	1/2-13	3/4-16	5/8
HEAVY	CL-5811-KS	5/8-11	7/8-14	7/8

MOUNTING TOOLING PLATES ON T-SLOTTED TABLES



Standard and Heavy

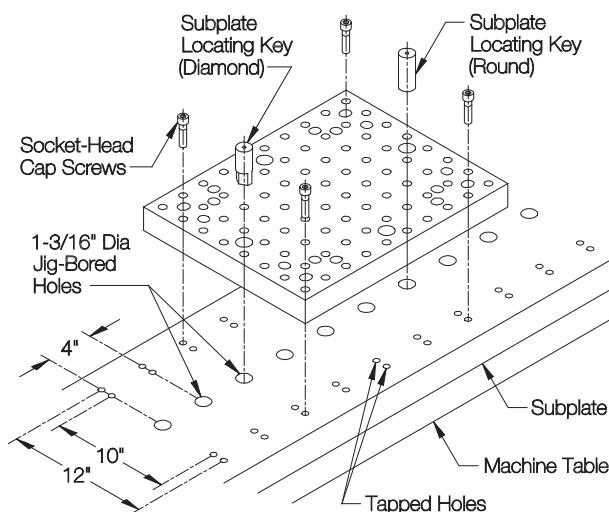
Standard and heavy Rectangular Tooling Plates are accurately located on T-slotted tables using two Locating Keys (INFO+ page 231) in the center table slot. These plates are fastened to the machine table using four or six Socket-Head Cap Screws (INFO+ page 414) and T Nuts (INFO+ page 291). Swivel Hoist Rings are recommended for lifting large tooling plates (INFO+ page 67).



Mini Only

Mini-size Rectangular Tooling Plates are accurately located on T-slotted tables using two Sure-Lock™ Fixture Keys (INFO+ page 230) in the center table slot. These plates are normally fastened to the machine table using two or three Socket-Head Cap Screws (INFO+ page 414) and T Nuts (INFO+ page 291). Alternatively, four Forged Adjustable Clamps (INFO+ page 236) can be used for greater holding force.

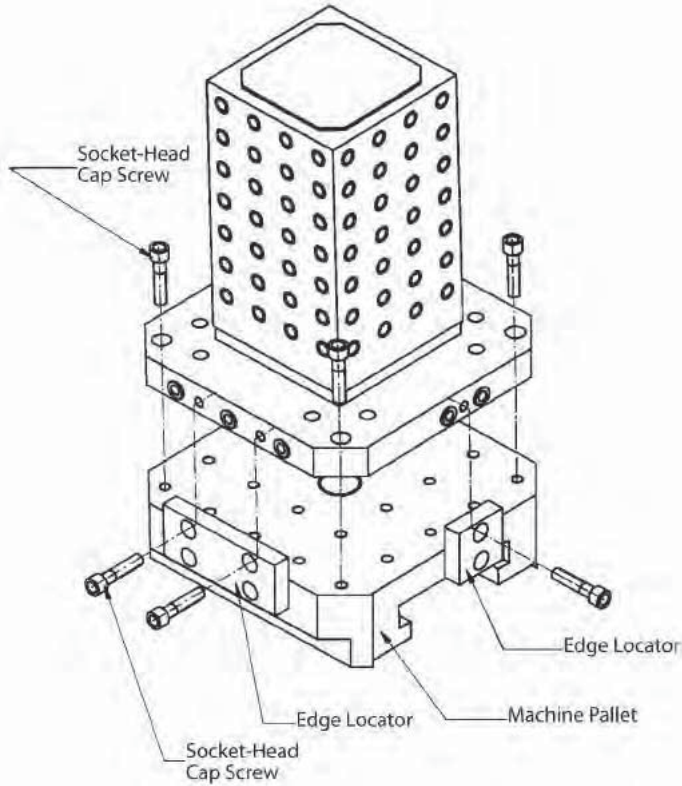
MOUNTING TOOLING PLATES ON SUBPLATES



Mini, Standard, and Heavy

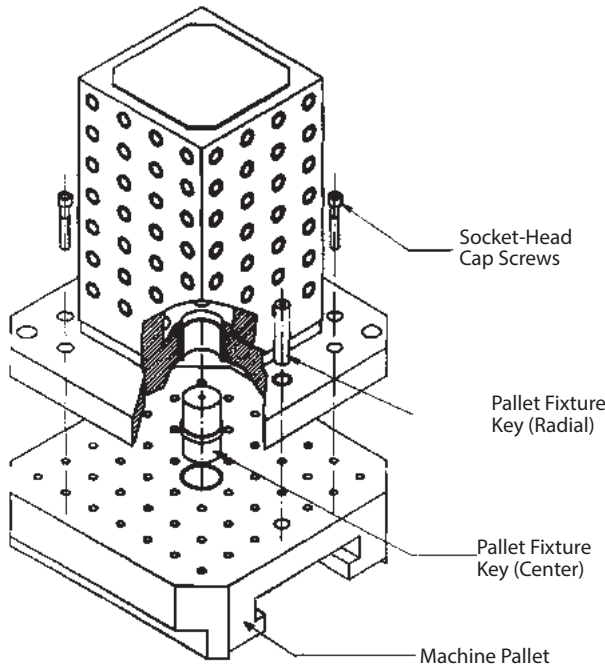
All Rectangular Tooling Plates can be mounted as quick-change fixture plates on a subplate, as well as directly on a T-slotted machine table. Instead of the Locating Keys and Sure-Lock™ Fixture Keys used above for two-axis location, Subplate Locating Keys (INFO+ page 231) are used for three-axis location. A Round Key and a Diamond (relieved) Key are used together for precise location without binding. The subplate hole pattern shown here allows mounting any size and combination of standard or heavy Rectangular Tooling Plates, either lengthwise or widthwise.

MOUNTING TOOLING PLATES & BLOCKS ON PALLETS



JIS Mounting

JIS-type mounting is the most common way to mount tooling plates and blocks on a machining-center pallet. Here the plate or block is located from two precisely ground reference edges at 90° to each other. The plate or block is pulled against the pallet's edge locators using three Socket-Head Cap Screws (**INFO+** page 414) and also fastened down with four to eight Socket-Head Cap Screws, depending on the size. Swivel Hoist Rings are recommended for lifting tooling blocks and large tooling plates (**INFO+** page 67).

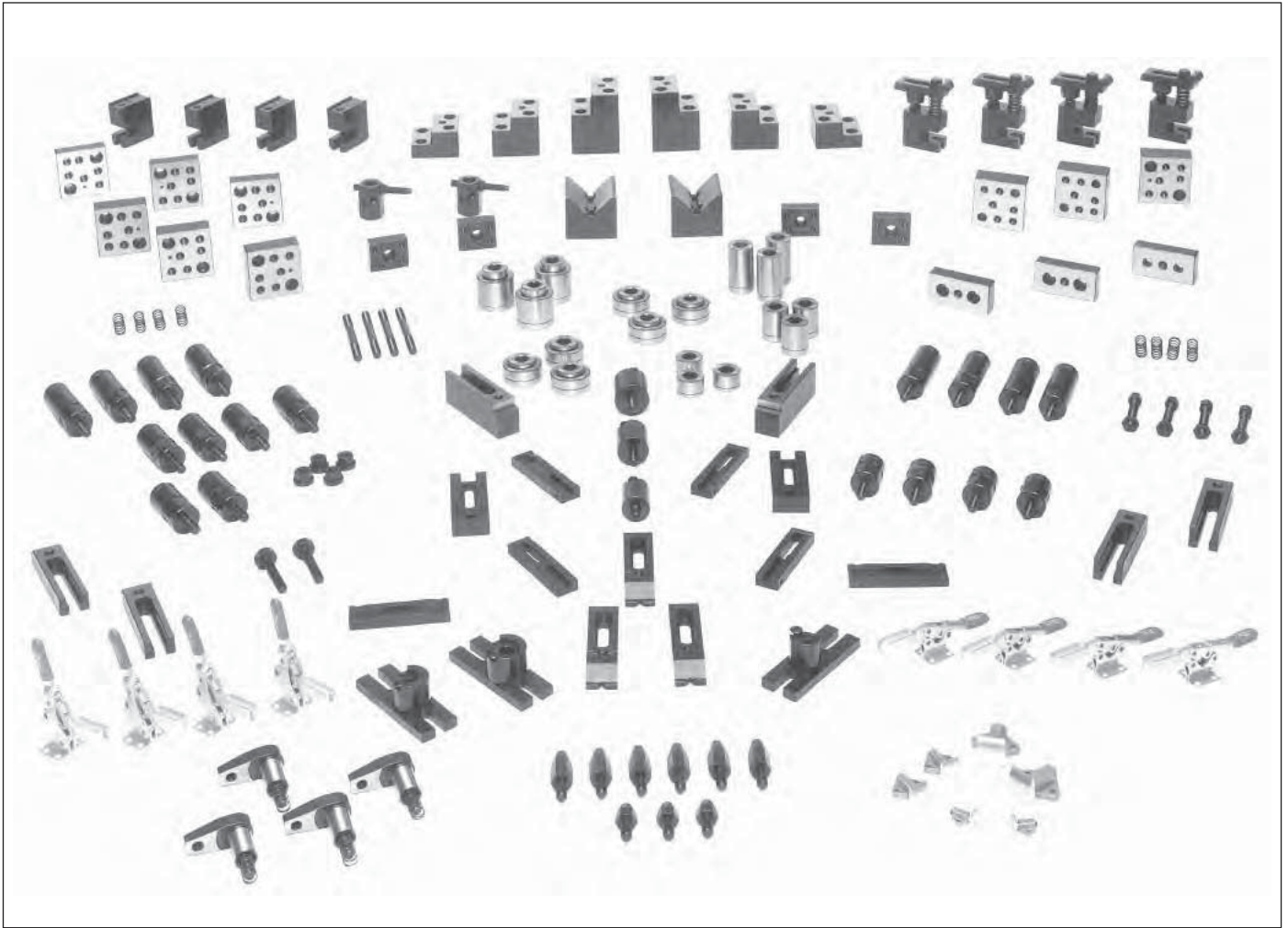


DIN Mounting

Most of our modular tooling plates and blocks also incorporate DIN-mounting capability. Here the plate or block is located using a center hole, and oriented using a radial hole. Two Pallet Fixture Keys, a center pin and a radial pin, are required (**INFO+** page 232). The plate or block is fastened down with four to eight Socket-Head Cap Screws, depending on the size.

PALLET SIZE	PALLET CENTER-HOLE DIA	PALLET RADIAL-HOLE DIA	DISTANCE BETWEEN CENTER AND RADIAL HOLES
320mm	50mm	20mm	100mm
400mm			150mm
500mm			200mm
630mm		25mm	200mm
800mm	300mm		

TOOLROOM STARTER SETS



BASIC STARTER SET

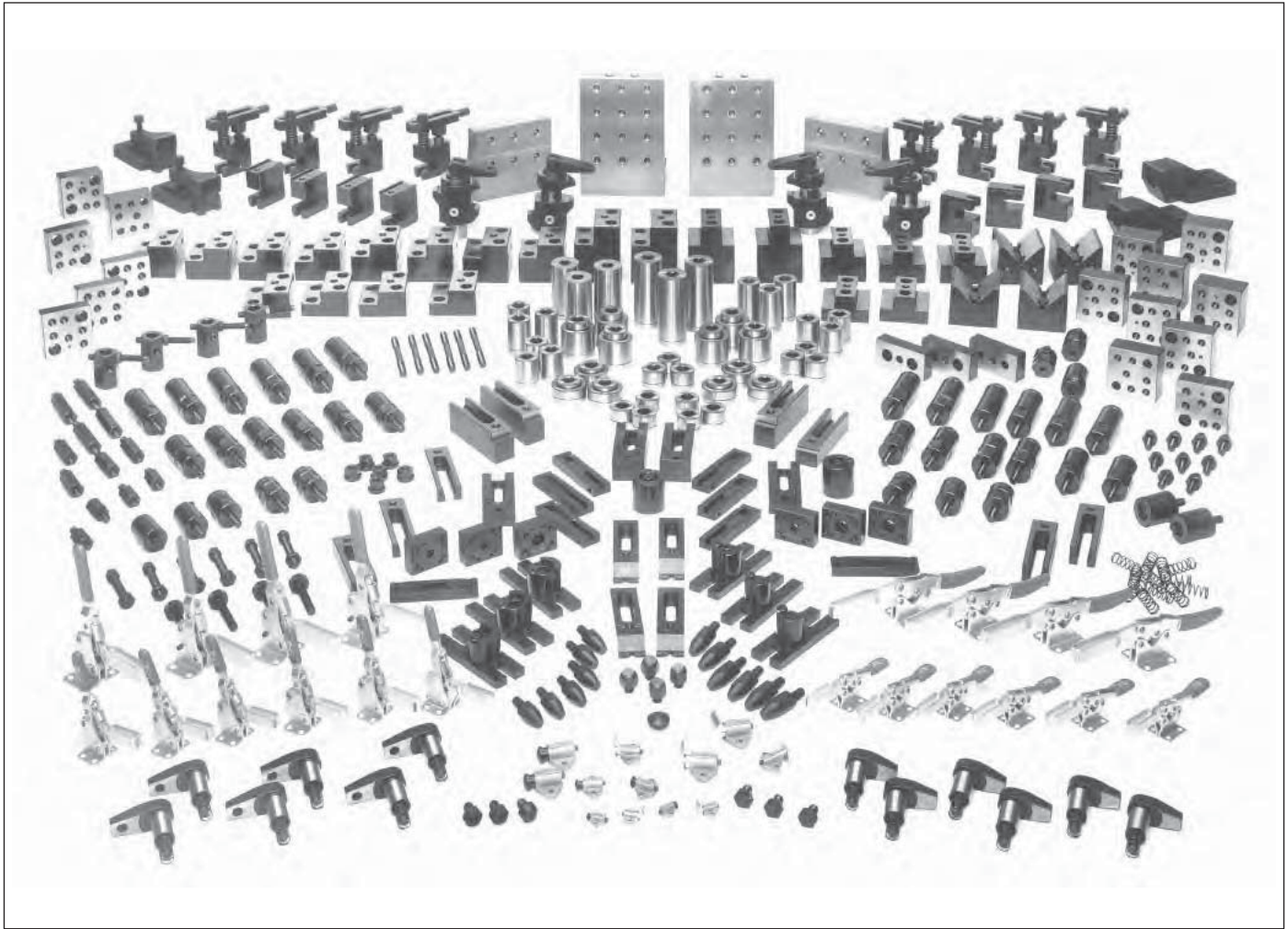
Economical starter sets to build one fixture at a time on a typical milling machine. This set includes matching sizes of our most-popular components, plus all necessary mounting screws. Order a tooling plate and Locating Keys separately to fit specific machines. **INFO+:** For a complete listing of components, see pages 401-403.

**10% OFF INDIVIDUAL
PRICES WHEN ORDERED
IN THESE SETS!**

ONE-FIXTURE SETS

SIZE	NUMBER OF PART NO.	PIECES
MINI	CL-MF25-SS1B	533
STANDARD	CL-MF40-SS1B	481
HEAVY	CL-MF50-SS1B	411

TOOLROOM STARTER SETS



COMPLETE STARTER SET

Comprehensive starter sets that allow fixturing almost any part. The one-fixture set (shown above) is ideal for building any one fixture at a time on most milling machines and machining centers. The four-fixture set (not shown) contains enough of most components to build four identical fixtures, ideal for tooling blocks on horizontal machining centers. Order tooling plates, tooling blocks, and Locating Keys separately to fit specific machines. **INFO+** For a complete listing of components, see pages 401-403.

10

**10% OFF INDIVIDUAL
PRICES WHEN ORDERED
IN THESE SETS!**














ONE-FIXTURE SETS

SIZE	NUMBER OF PART NO.	PIECES
MINI	CL-MF25-SS1C	1196
STANDARD	CL-MF40-SS1C	1161
HEAVY	CL-MF50-SS1C	892






FOUR-FIXTURE SETS

MINI	CL-MF25-SS4C	3275
STANDARD	CL-MF40-SS4C	3076
HEAVY	CL-MF50-SS4C	2428

TOOLROOM STARTER SETS

COMPONENTS IN STARTER SET			QTY. IN SET*		
			SS1B	SS1C	SS4C
 Angle Plates	MINI		—	—	—
	STANDARD	CL-MF40-0511	—	2	4
		CL-MF40-0512	—	2	2
	HEAVY	CL-MF50-0501	—	2	4
		CL-MF50-0502	—	2	2
 Riser Plates	MINI	CL-MF25-0900	—	1	1
	STANDARD	—	—	—	—
	HEAVY	—	—	—	—
 Pivoting Edge Clamps	MINI	—	—	—	—
	STANDARD	CL-MF40-1001	—	2	8
	HEAVY	CL-MF50-1001	—	2	8
 Downthrust Backstops	MINI	—	—	—	—
	STANDARD	CL-MF40-1101	—	2	8
	HEAVY	CL-MF50-1101	—	2	8
 Screw-Clamp Adaptors	MINI	CL-MF25-1251	3	3	12
	STANDARD	CL-MF40-1251	3	3	12
	HEAVY	CL-MF50-1251	3	3	12
 Support Riser Blocks	STANDARD	CL-MF40-1411	3	4	12
		CL-MF40-1412	3	4	12
		CL-MF40-1413	3	4	12
	HEAVY	CL-MF50-1412	3	4	12
		CL-MF50-1413	3	4	12
 Multipurpose Riser Blocks	MINI	CL-MF25-1461	4	8	16
	STANDARD	CL-MF40-1462	4	8	16
		CL-MF40-1463	4	8	16
 High-Rise Clamps, Tapped-Nose	MINI	CL-MF25-2001	—	4	8
	STANDARD	CL-MF40-2001	—	4	8
	HEAVY	CL-MF50-2001	—	4	8
 High-Rise Clamps, Standard-Nose	MINI	CL-MF25-2051 CL-MF25-2052	4	4	8
	STANDARD	—	—	—	—
	HEAVY	—	—	—	—
 High-Rise Clamps, Gooseneck	MINI	—	—	—	—
	STANDARD	CL-MF40-2101	4	4	8
	HEAVY	CL-MF50-2101	4	4	8
 Narrow Riser Blocks	MINI	CL-MF25-2301	4	8	8
	STANDARD	CL-MF40-2301	4	8	8
	HEAVY	CL-MF50-2301	4	8	16
 Spacer Blocks	MINI	CL-MF25-2351	4	8	16
	STANDARD	CL-MF40-2351	4	8	16
	HEAVY	CL-MF50-2351	4	8	16
 Swivel Contact Bolts	MINI	CL-MF25-2502	—	4	8
	STANDARD	CL-MF40-2501	—	4	8
	HEAVY	CL-MF50-2501	—	4	8










* No substitutes please.








 Contact-Bolt Extensions	MINI	CL-MF25-2601 CL-MF25-2602 CL-MF25-2603	— — —	4 4 4	8 8 8			
	STANDARD	CL-MF40-2601 CL-MF40-2602 CL-MF40-2603	— — —	4 4 4	8 8 8			
		HEAVY	CL-MF50-2601 CL-MF50-2602 CL-MF50-2603	— — —	4 4 4	8 8 8		
MINI			CL-MF25-3101 CL-MF25-3102 CL-MF25-3103 CL-MF25-3105 CL-MF25-3107	6 — 6 — 3	12 3 12 3 6	24 12 24 12 12		
	STANDARD		CL-MF40-3101 CL-MF40-3102 CL-MF40-3103 CL-MF40-3104 CL-MF40-3105 CL-MF40-3112 CL-MF40-3113	3 3 3 — — — —	6 6 3 3 3 3 3	12 12 12 12 12 12 12		
		HEAVY	CL-MF50-3101 CL-MF50-3102 CL-MF50-3104 CL-MF50-3112 CL-MF50-3114	3 3 — 3 —	6 3 3 6 3	24 12 12 24 12		
			MINI	CL-MF25-3200 CL-MF25-3202 CL-MF25-3204 CL-MF25-3206	6 — — 3	12 6 6 6	24 12 12 12	
				STANDARD	CL-MF40-3202 CL-MF40-3204 CL-MF40-3205	3 3 3	6 6 6	12 12 12
					HEAVY	CL-MF50-3202 CL-MF50-3204	3 3	6 6
MINI						CL-MF25-3301 CL-MF25-3302 CL-MF25-3303 CL-MF25-3305	2 — 2 2	3 3 3 3
	STANDARD		CL-MF40-3300 CL-MF40-3301 CL-MF40-3302	2 2 2	3 3 3	12 12 12		
		HEAVY	CL-MF50-3301 CL-MF50-3302	2 2	3 3	12 12		
			MINI	—	—	—	—	
 Heavy-Duty Screw Jacks	STANDARD	CL-MF40-3401 CL-MF40-3402 CL-MF40-3403	— — —	1 1 1	1 1 1			
	HEAVY	CL-MF50-3401 CL-MF50-3402 CL-MF50-3403	— — —	1 1 1	1 1 1			
		MINI	—	—	—	—		
 Screw-Jack Tips	STANDARD	CL-MF10-3501	—	1	1			
	HEAVY	CL-MF10-3501	—	1	1			
	MINI	—	—	—	—			
 Halfway Extension Supports	MINI	CL-MF25-3601 CL-MF25-3603 CL-MF25-3605	4 — —	4 4 4	16 16 16			
	STANDARD	CL-MF40-3601	3	3	12			
	HEAVY	CL-MF50-3602	4	4	16			
 Edge Supports, Single	MINI	CL-MF25-3700 CL-MF25-3702	4 —	4 4	16 16			
		STANDARD	CL-MF40-3702 CL-MF40-3704 CL-MF40-3705	2 — 2	4 4 4	8 8 8		
	HEAVY		CL-MF50-3702 CL-MF50-3704	2 2	4 4	8 8		

CONTINUED ON NEXT PAGE

TOOLROOM STARTER SETS

CONTINUED FROM PRECEDING PAGE





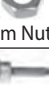
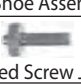



 Edge Supports, Double	MINI	CL-MF25-3800	2	3	12
		CL-MF25-3802	—	3	12
	STANDARD	CL-MF40-3802	—	2	4
		CL-MF40-3804	—	2	4
		CL-MF40-3805	—	2	4
	HEAVY	CL-MF50-3802	—	2	4
CL-MF50-3804		—	2	4	
CL-MF50-3808		—	—	—	
 Spring-Stop-Button Adaptors	MINI	CL-MF25-3901	2	4	16
	STANDARD	CL-MF40-3902	2	2	8
	HEAVY	CL-MF50-3902	2	2	8
 Locating Bushings	MINI	CL-MF25-4300	36	78	242
	STANDARD	—	—	—	—
	HEAVY	—	—	—	—
 Locating Screws	MINI	CL-MF40-4301	34	74	140
		CL-MF40-4302	12	58	172
		CL-MF40-4303	8	16	32
	HEAVY	CL-MF50-4301	20	43	116
		CL-MF50-4302	15	52	124
		CL-MF50-4303	—	3	12
 Hex-Head Cap Screws	MINI	CL-MF25-4311	4	12	24
		CL-MF25-4312	8	20	32
		CL-MF25-4313	4	8	8
	STANDARD	CL-MF40-4311	8	16	24
		CL-MF40-4312	4	8	8
		CL-MF40-4313	4	8	8
HEAVY	CL-MF50-4311	8	12	24	
	CL-MF50-4312	4	4	8	
	CL-MF50-4313	4	4	8	
 Multipurpose Extension Supports	MINI	CL-MF25-4751	2	2	8
	STANDARD	CL-MF40-4751	2	2	8
	HEAVY	CL-MF50-4751	2	2	8
 Screw Rest Pads	MINI	CL-MF25-4801	—	6	24
		CL-MF25-4803	6	12	24
		CL-MF25-4804	—	6	24
		CL-MF25-4805	6	12	24
		CL-MF25-4806	—	6	24
		CL-MF25-4807	6	12	24
	STANDARD	CL-MF40-4801	—	3	12
		CL-MF40-4803	—	3	12
		CL-MF40-4804	—	3	12
		CL-MF40-4805	3	6	12
		CL-MF40-4807	—	6	12
		CL-MF40-4808	3	6	12
	HEAVY	CL-MF50-4803	—	3	12
		CL-MF50-4804	—	3	12
		CL-MF50-4805	—	3	12
HEAVY	CL-MF50-4806	3	6	24	
	CL-MF50-4807	—	3	12	
	CL-MF50-4808	3	6	24	
	CL-MF50-5002	6	8	24	
	CL-MF25-5013	6	8	24	
	CL-MF40-5002	—	6	24	
 Hook Clamps	STANDARD	CL-MF40-5013	4	6	24
	HEAVY	CL-MF50-5002	—	6	24
		CL-MF50-5014	4	6	24
 Hook-Clamp Holders	MINI	CL-MF25-5101	6	8	24
	STANDARD	CL-MF40-5101	4	6	24
		CL-MF40-5102	4	6	24
	HEAVY	CL-MF50-5101	4	6	24
		CL-MF50-5102	4	6	24


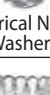


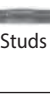
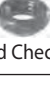
 Riser Cylinders	MINI	CL-MF25-5201	4	6	16
		CL-MF25-5203	4	6	16
	STANDARD	CL-MF40-5201	4	6	16
		CL-MF40-5203	—	6	6
		CL-MF40-5204	4	6	6
	HEAVY	CL-MF50-5201	4	6	16
CL-MF50-5203		—	6	6	
CL-MF50-5204		4	6	6	
 Up-Thrust Clamps	MINI	—	—	—	—
	STANDARD	CL-MF40-5301	—	4	12
	HEAVY	—	—	—	—
 Cam Edge Clamps	MINI	CL-MF25-5611	3	3	12
	STANDARD	CL-MF40-5611	3	3	12
	HEAVY	—	—	—	—
 Manual Work Supports	MINI	CL-MF25-5701	2	4	8
	STANDARD	CL-MF40-5701	1	2	8
	HEAVY	CL-MF50-5701	1	2	8
 Horizontal V Blocks	MINI	CL-MF25-6001	2	4	16
		CL-MF25-6002	2	4	16
	STANDARD	CL-MF40-6002	2	4	16
	HEAVY	CL-MF50-6002	2	4	8
 Height Shims	MINI	CL-MF25-7002	—	10	10
		CL-MF25-7003	—	10	10
		CL-MF25-7004	—	10	10
		CL-MF25-7005	—	10	10
		CL-MF25-7010	—	10	10
		CL-MF25-7020	—	10	10
	STANDARD	CL-MF40-7002	—	10	10
		CL-MF40-7003	—	10	10
		CL-MF40-7004	—	10	10
		CL-MF40-7005	—	10	10
		CL-MF40-7010	—	10	10
		CL-MF40-7020	—	10	10
	HEAVY	CL-MF50-7002	—	10	10
		CL-MF50-7003	—	10	10
		CL-MF50-7004	—	10	10
		CL-MF50-7005	—	10	10
		CL-MF50-7010	—	10	10
		CL-MF50-7020	—	10	10
 Clamp Rests	MINI	CL-1A-CR	8	12	32
		CL-1B-CR	8	12	32
	STANDARD	CL-4-CR	4	6	16
		CL-5-CR	4	6	16
HEAVY	CL-6-CR	4	6	16	
	CL-7-CR	4	6	16	

CONTINUED ON NEXT PAGE

TOOLROOM STARTER SETS

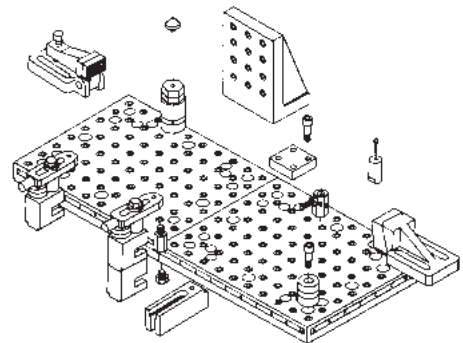
CONTINUED FROM PRECEDING PAGE

	MINI	CL-1A-CR	8	12	32
		CL-1B-CR	8	12	32
	STANDARD	CL-4-CR	4	6	16
CL-5-CR		4	6	16	
	MINI	CL-1A-CS	8	12	32
		CL-1B-CS	8	12	32
	CL-23D-CS	2	4	8	
STANDARD	CL-8-CS	4	6	16	
	CL-10-CS	4	6	16	
	CL-30-CS	2	2	8	
HEAVY	CL-16-CS	4	6	16	
	CL-18-CS	4	6	16	
	CL-33-CS	2	2	8	
	MINI	—	—	—	
	STANDARD	CL-8-FAC	4	4	16
	HEAVY	CL-10-FAC	4	4	16
	MINI	CL-14-FW	8	12	32
	STANDARD	CL-2-FW	4	6	16
	HEAVY	CL-3-FW	4	6	16
	MINI	CL-5-JN	8	12	32
	STANDARD	CL-8-JN	4	6	16
	HEAVY	CL-10-JN	4	6	16
	MINI	CL-4-KSA	3	3	12
	STANDARD	CL-9-KSA	3	3	12
	HEAVY	CL-11-KSA	3	3	12
	MINI	CL-0-KSJ	2	4	8
	STANDARD	CL-7-KSJ	2	2	8
	HEAVY	CL-10-KSJ	2	2	8
	MINI	CL-516212-SA	8	12	32
	STANDARD	CL-12314-SA	4	6	24
	HEAVY	CL-58438-SA	4	6	24
	MINI	CL-00-SAC	—	4	12
	STANDARD	CL-5-SAC	3	4	12
	HEAVY	CL-90-SAC	—	4	12
	MINI	CL-6-32X.50-SHCS	8	16	64
		CL-1/4-20X.62-SHCS	16	24	64
		CL-5/16-18X.62-SHCS	23	30	104
CL-5/16-18X.75-SHCS		25	60	200	
CL-5/16-18X1.00-SHCS		33	58	192	
CL-5/16-18X1.12-SHCS		57	139	388	
CL-5/16-18X1.38-SHCS		34	72	216	
CL-5/16-18X1.50-SHCS		20	37	148	
CL-5/16-18X1.75-SHCS		—	4	4	
CL-5/16-18X2.00-SHCS		—	8	24	
CL-5/16-18X2.50-SHCS		4	16	40	
STANDARD		CL-6-32X.50-SHCS	4	8	32
	CL-10-32X.50-SHCS	28	90	204	
	CL-1/4-20X.62-SHCS	16	24	64	
	CL-1/4-20X.75-SHCS	4	8	32	
	CL-5/16-18X.62-SHCS	—	16	64	
	CL-5/16-18X.75-SHCS	—	12	32	
	CL-1/2-13X1.00-SHCS	8	8	32	
	CL-1/2-13X1.25-SHCS	43	66	208	
	CL-1/2-13X1.50-SHCS	43	62	208	
	CL-1/2-13X1.75-SHCS	34	62	160	
	CL-1/2-13X2.00-SHCS	6	38	120	
	CL-1/2-13X2.25-SHCS	8	37	130	
CL-1/2-13X2.75-SHCS	8	17	60		
CL-1/2-13X4.50-SHCS	4	8	16		
HEAVY	CL-6-32X.50-SHCS	4	8	32	
	CL-10-32X.50-SHCS	26	68	156	
	CL-1/4-20X.75-SHCS	4	8	32	
	CL-5/8-11X1.25-SHCS	26	35	108	
	CL-5/8-11X1.50-SHCS	40	59	188	
	CL-5/8-11X2.00-SHCS	63	96	288	
	CL-5/8-11X2.25-SHCS	6	16	48	
	CL-5/8-11X2.50-SHCS	10	27	92	
	CL-5/8-11X3.00-SHCS	6	26	86	
	CL-5/8-11X5.00-SHCS	4	8	16	

	MINI	CL-7A-SLP-1	—	4	16
	STANDARD	—	—	—	—
	HEAVY	—	—	—	—
	MINI	CL-9-SNW	8	12	32
	STANDARD	CL-3-SNW	4	6	16
	HEAVY	CL-4-SNW	4	6	16
	MINI	CL-6-SPG	16	24	64
	STANDARD	CL-9-SPG	8	12	32
	HEAVY	CL-11-SPG	8	12	32
	MINI	CL-10A-SSB	2	4	16
		CL-10C-SSB	2	4	16
		CL-10A-SSB	—	2	8
	STANDARD	CL-20A-SSB	—	2	8
		CL-30A-SSB	—	2	8
		CL-10C-SSB	2	2	8
	HEAVY	CL-20C-SSB	2	2	8
		CL-30C-SSB	2	2	8
		CL-10A-SSB	—	2	8
		CL-20A-SSB	—	2	8
		CL-30A-SSB	—	2	8
		CL-10C-SSB	2	2	8
MINI	CL-5/16-18X3.00-STUD	8	12	32	
	CL-5/16-18X3.50-STUD	8	12	32	
	STANDARD	CL-1/2-13X4.00-STUD	4	6	16
CL-1/2-13X5.50-STUD		4	6	16	
HEAVY		CL-5/8-11X4.50-STUD	4	6	16
	CL-5/8-11X5.50-STUD	4	6	16	
	MINI	CL-51618-TSJNI	2	4	8
	STANDARD	CL-1213-TSJNI	2	2	8
		HEAVY	CL-5811-TSJNI	2	2
	MINI	CL-51618-TSJNI	2	4	8
	STANDARD	CL-1213-TSJNI	2	2	8
	HEAVY	CL-5811-TSJNI	2	2	8

Modular Fixturing

A Versatile Solution To Your Workholding Needs

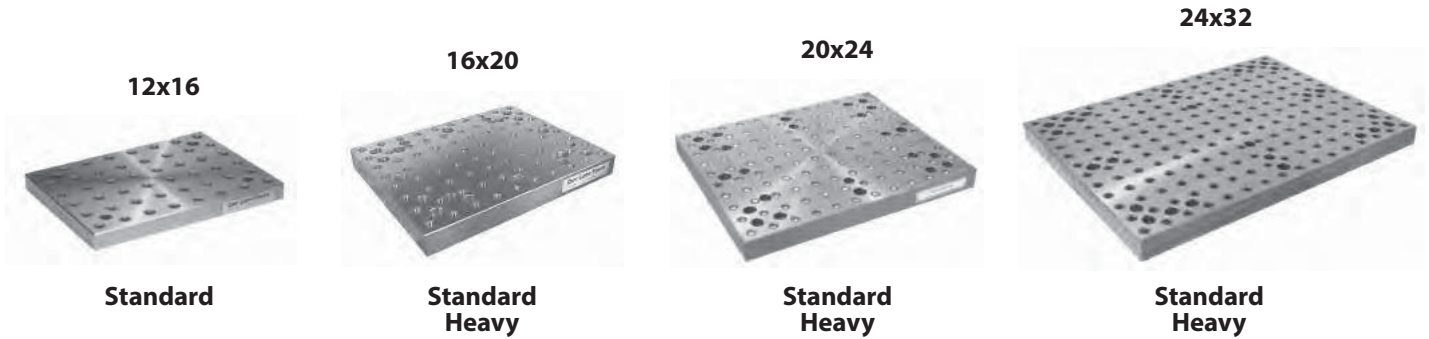


- Great for temporary fixturing: one-time jobs, short or prototype production runs, trial fixturing or while permanent fixtures are built or repaired.
- Order as components, or in handy starter sets.

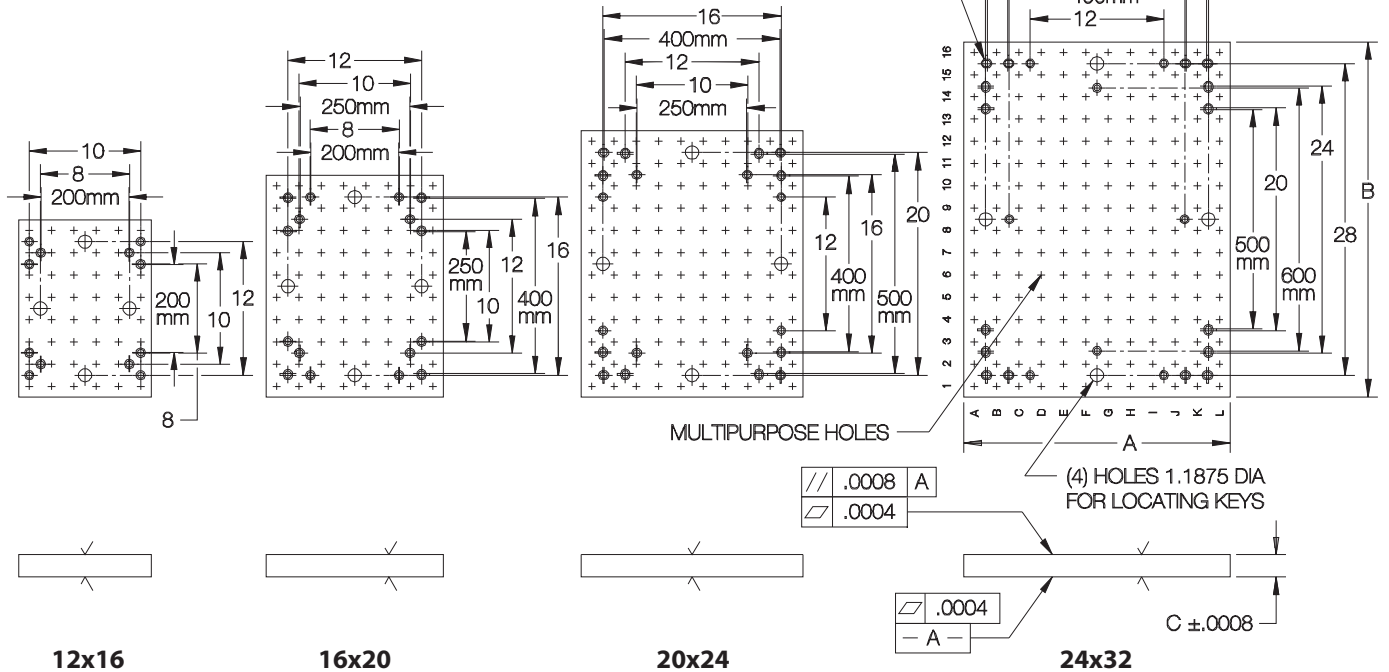
See Pages 391-440

RECTANGULAR TOOLING PLATES

GRAY CAST IRON, ASTM CLASS 40



Ideal tooling plate for most milling machines. Finish ground to tight tolerances, with all multipurpose holes located within .0008 inches of true position. Available in a full range of standard fixture sizes, with mounting holes to fit almost any inch or metric slot spacing. **INFO+** See page 397 for mounting information. Plates can be accurately connected to create many length and width combinations. **INFO+** Also available as blanks, without multipurpose holes (page 364).

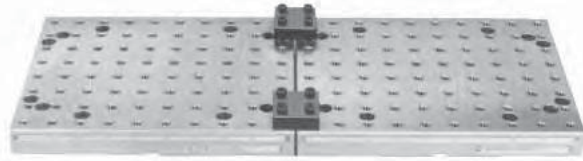


REGULAR

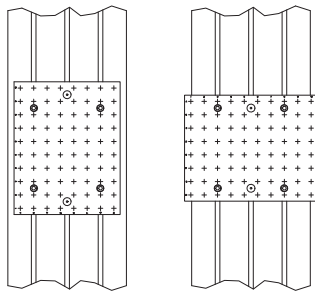
SIZE	PART NO.	MULTIPURPOSE HOLES				A		B		C	K	NO. OF MOUNTING SCREWS REQUIRED	APPROX WEIGHT (LBS)
		THREAD	ID	SPACING	PATTERN	NOMINAL	ACTUAL	NOMINAL	ACTUAL				
STANDARD	CL-MF40-0110	1/2-13	.5000	2.0000	6x8	12	11.875	16	15.875	2.0000	1/2-13 or M12	4	88
	CL-MF40-0111				8x10	16	15.875	20	19.875				145
	CL-MF40-0112				10x12	20	19.875	24	23.875				220
	CL-MF40-0113				12x16	24	23.875	32	31.875				360
HEAVY	CL-MF50-0111	5/8-11	.6250	2.0000	8x10	16	15.875	20	19.875	2.0000	5/8-11 or M16	4	140
	CL-MF50-0112				10x12	20	19.875	24	23.875				215
	CL-MF50-0113				12x16	24	23.875	32	31.875				345

RECTANGULAR TOOLING PLATES

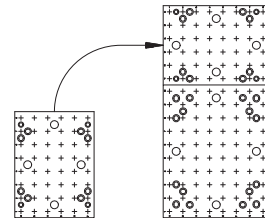
GRAY CAST IRON, ASTM CLASS 40



For large machine tables, connect two or more plates to form a single baseplate, using Locating Gages (**INFO+** page 415) as shown above to maintain accuracy. Gages are removed once plates are fastened to the machine table.

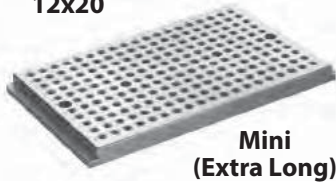


Two sets of Locating-Key holes allow mounting plates either lengthwise or widthwise on a machine table.



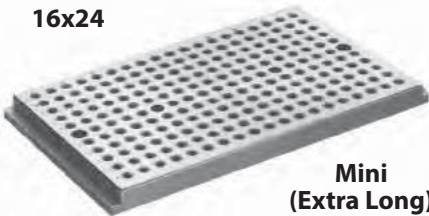
The length of each Rectangular Tooling Plate is the same as the width of the next-larger size, allowing many possible combinations by turning plates 90°.

12x20

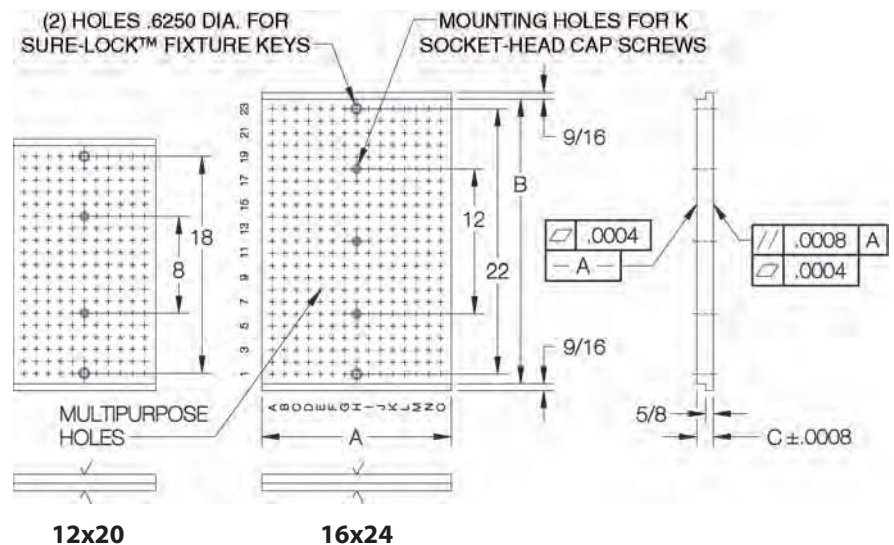


Mini
(Extra Long)

16x24



Mini
(Extra Long)



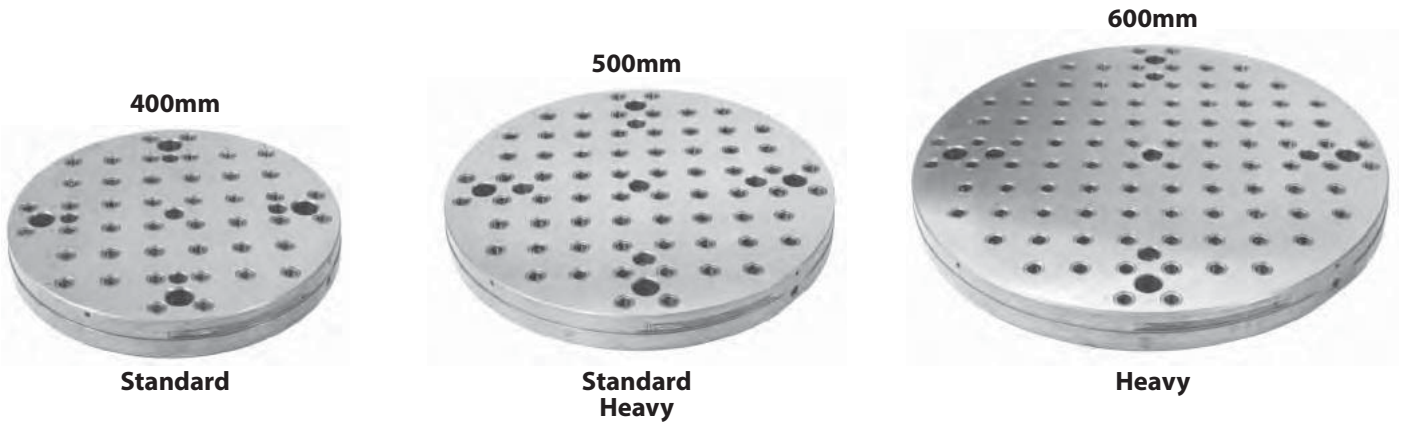
Extra-long Rectangular Tooling Plate that mounts lengthwise on a machine table (mini size only). Finish ground to tight tolerances, with all multipurpose holes spaced within .0004 inches of true position. **INFO+**: See page 397 for mounting information.

EXTRA LONG

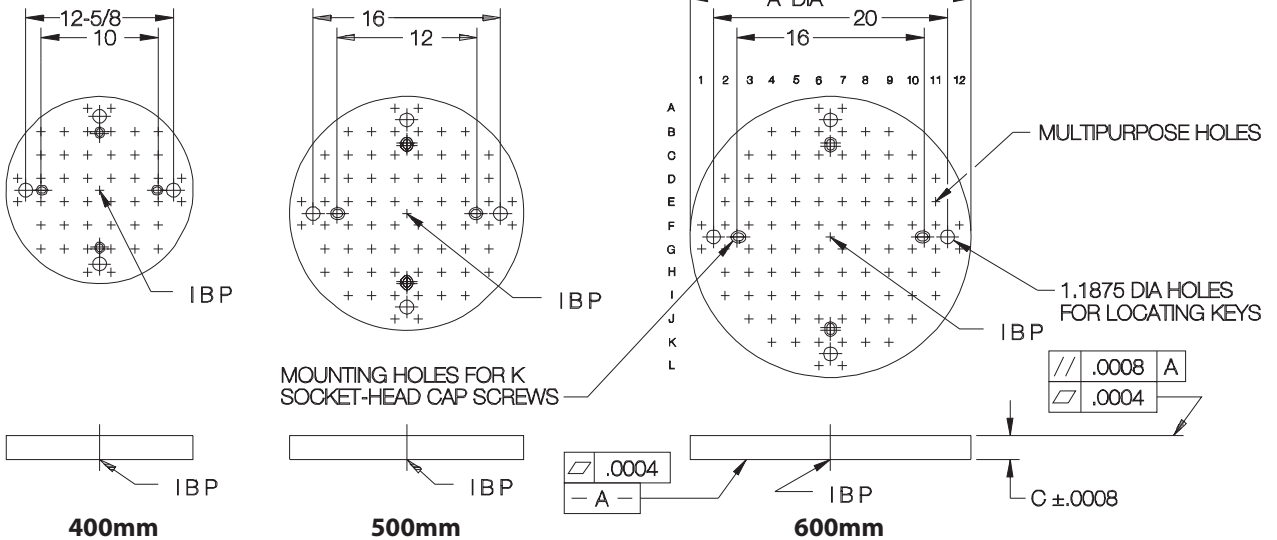
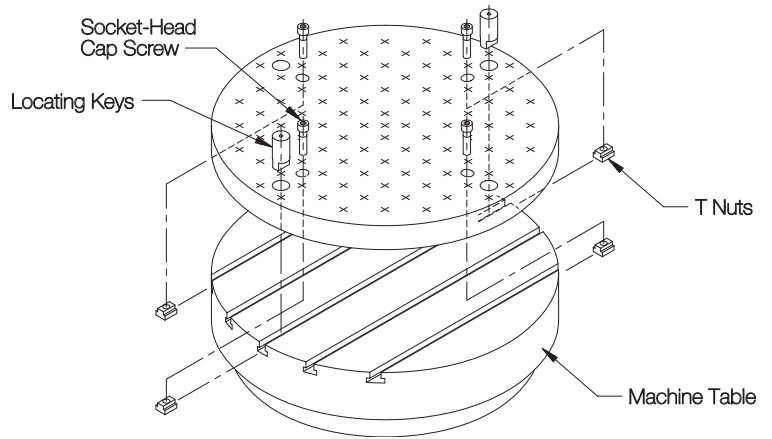
SIZE	PART NO.	MULTIPURPOSE HOLES				A		B		C	K	NO. OF MOUNTING SCREWS REQUIRED	APPROX WEIGHT (LBS)
		THREAD	ID	SPACING	PATTERN	NOMINAL	ACTUAL	NOMINAL	ACTUAL				
MINI	CL-MF25-0151	5/16-18	.5000	1.0000	11x19	12	11.875	20	19.750	1.3750	3/8-16 or M10	2	79
	CL-MF25-0152				15x23	16	15.750	24	23.625			1.5000	3

ROUND TOOLING PLATES

GRAY CAST IRON, ASTM CLASS 40



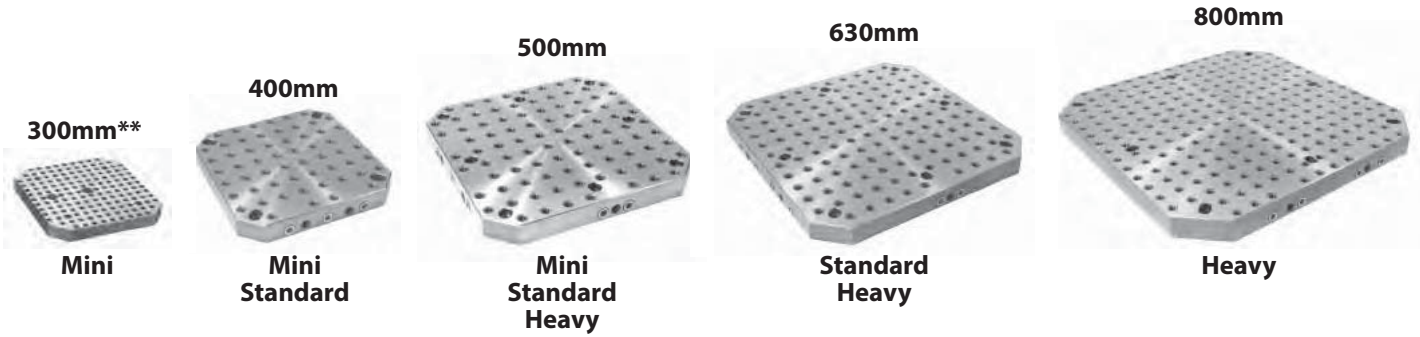
Round tooling plates are perfect for rotary or indexing machine tables. Finish ground to tight tolerances, with all multipurpose holes spaced within .0008 inches of true position. Locate on machine table using Locating Keys, like a Rectangular Tooling Plate.



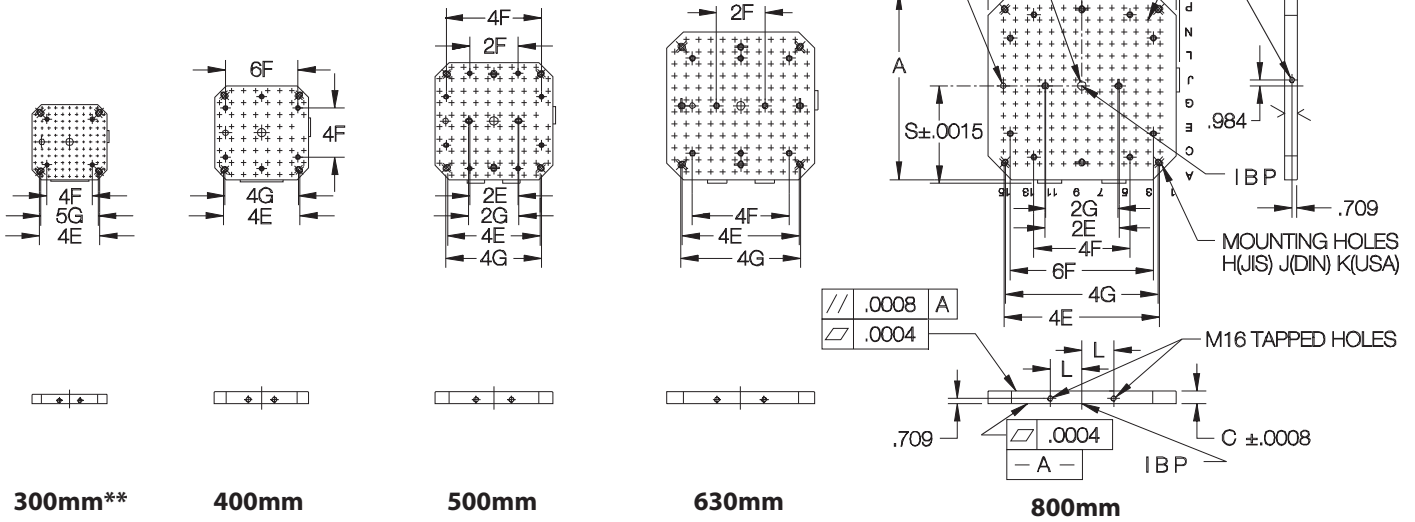
SIZE	PART NO.	MULTIPURPOSE HOLES				A DIA		C	K	APPROX WEIGHT (LBS)
		THREAD	ID	SPACING	PATTERN	NOMINAL	ACTUAL			
STANDARD	CL-MF40-0311	1/2-13	.5000	2.0000	8x8	400mm	15.75	2.0000	1/2-13 or M12	92
	CL-MF40-0312				10x10	500mm	19.69		5/8-11 or M16	145
HEAVY	CL-MF50-0312	5/8-11	.6250	2.0000	10x10	500mm	19.69	2.0000	5/8-11 or M16	141
	CL-MF50-0313				12x12	600mm	23.62			205

SQUARE PALLET TOOLING PLATES

GRAY CAST IRON, ASTM CLASS 40



Ideal tooling plate for machining-center pallets. Finish ground to tight tolerances. Available in a full range of standard pallet sizes, with mounting holes to fit almost any inch or metric slot spacing. Dual mounting capability allows both JIS mounting (locating from two reference edges) and DIN mounting (locating from center and radial holes) with excellent accuracy. **INFO+**: See page 397 for mounting information. **INFO+**: Also available as blanks, without multipurpose holes (page 365).

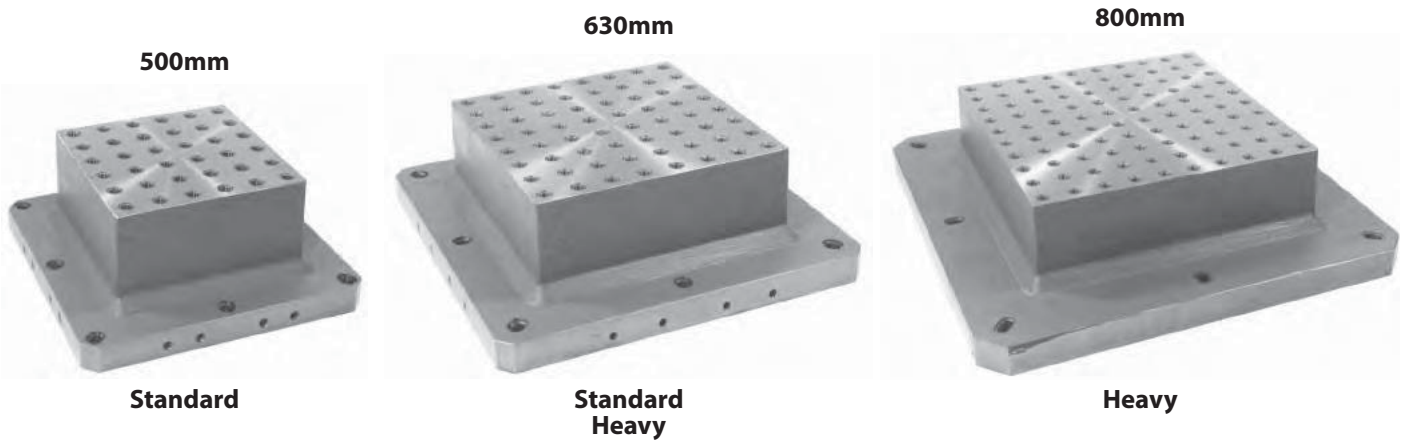


SIZE	PART NO.	MULTIPURPOSE HOLES				A		C	E (JIS)	F (DIN)	G (USA)	H (JIS)	J (DIN)	K (USA)	L	N DIA	P DIA	S	APPROX. WEIGHT (LBS)
		THREAD	ID	SPACING	PATTERN	NOMINAL	ACTUAL												
MINI	CL-MF25-0800	5/16-18	.5000	1.0000	11x11	300mm	11.81	1.3750	63mm	50mm	50mm	M16	M10	5/8-11	1.969	25mm	20mm	6.2992	51
	CL-MF25-0801				15x15	400mm	15.20	1.5000	80mm	50mm	3.000		2.165	7.8740	79				
	CL-MF25-0802				19x19	500mm	19.13		100mm	100mm	4.000		2.953	9.8425	130				
STANDARD	CL-MF40-0801	1/2-13	.5000	2.0000	8x8	400mm	15.20	2.0000	80mm	50mm	3.000	M16	M12	5/8-11	1.265	30mm	20mm	7.8740	115
	CL-MF40-0802				10x10	500mm	19.13		100mm	4.000	2.953		9.8425	180					
	CL-MF40-0803				12x12	630mm	24.25	2.0000	125mm	5.000	3.937		12.4016	290					
HEAVY	CL-MF50-0822	5/8-11	.6250	2.0000	10x10	500mm	19.13	2.0000	100mm	100mm	4.000	M16	M12	5/8-11	2.953	30mm	20mm	9.8425	175
	CL-MF50-0823				12x12	630mm	24.25		2.0000	125mm	5.000		3.937	12.4016	280				
	CL-MF50-0824				14x14	800mm	30.94	2.3750	160mm	6.000	5.315		15.7480	540					

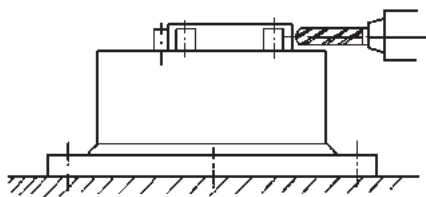
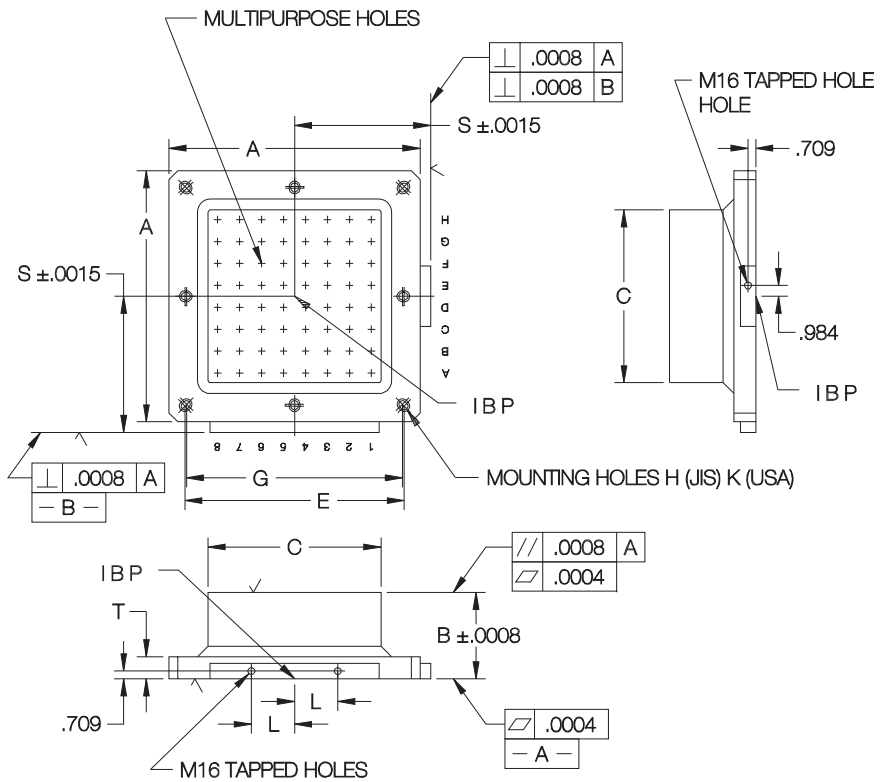
** 300mm size also fits 320mm pallets with the 10mm-thick edge pads furnished.

PLATFORM TOOLING PLATES

GRAY CAST IRON, ASTM CLASS 45



Raised tooling plate for machining-center pallets. Allows tool access to low workpieces below minimum spindle height on horizontal machining centers. Top and bottom surfaces are finish ground to tight tolerances. All multipurpose holes are spaced within .0008 inches of true position. Available in the three largest pallet sizes, with mounting holes to fit almost any inch or metric slot spacing. Incorporates JIS mounting (locating from two reference edges). **INFO+**: See page 397 for mounting information.



SIZE	PART NO.	MULTIPURPOSE HOLES				A		B	C	E (JIS)	G (USA)	H (JIS)	K (USA)	L	S	T	APPROX WEIGHT (LBS)
		THREAD	ID	SPACING	PATTERN	NOMINAL	ACTUAL										
STANDARD	CL-MF40-0832	1/2-13	.5000	2.0000	6x6	500mm	17.75	7.8750	11.81	400mm	16	M16	5/8-11 or M16	2.953	9.8425	1.75	265
	8x8				630mm	22.88	15.75										
HEAVY	CL-MF50-0833	5/8-11	.6250	2.0000	8x8	630mm	22.88	7.8750	15.75	500mm	20	M16	5/8-11 or M16	3.937	12.4016	2.00	360
	10x10				800mm	29.12	19.69										

ANGLE TOOLING PLATES

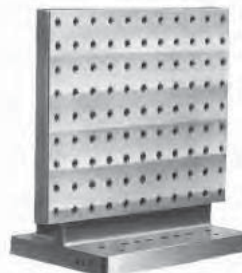
GRAY CAST IRON, ASTM CLASS 45

800mm



Heavy

630mm



Standard Heavy

500mm



Standard

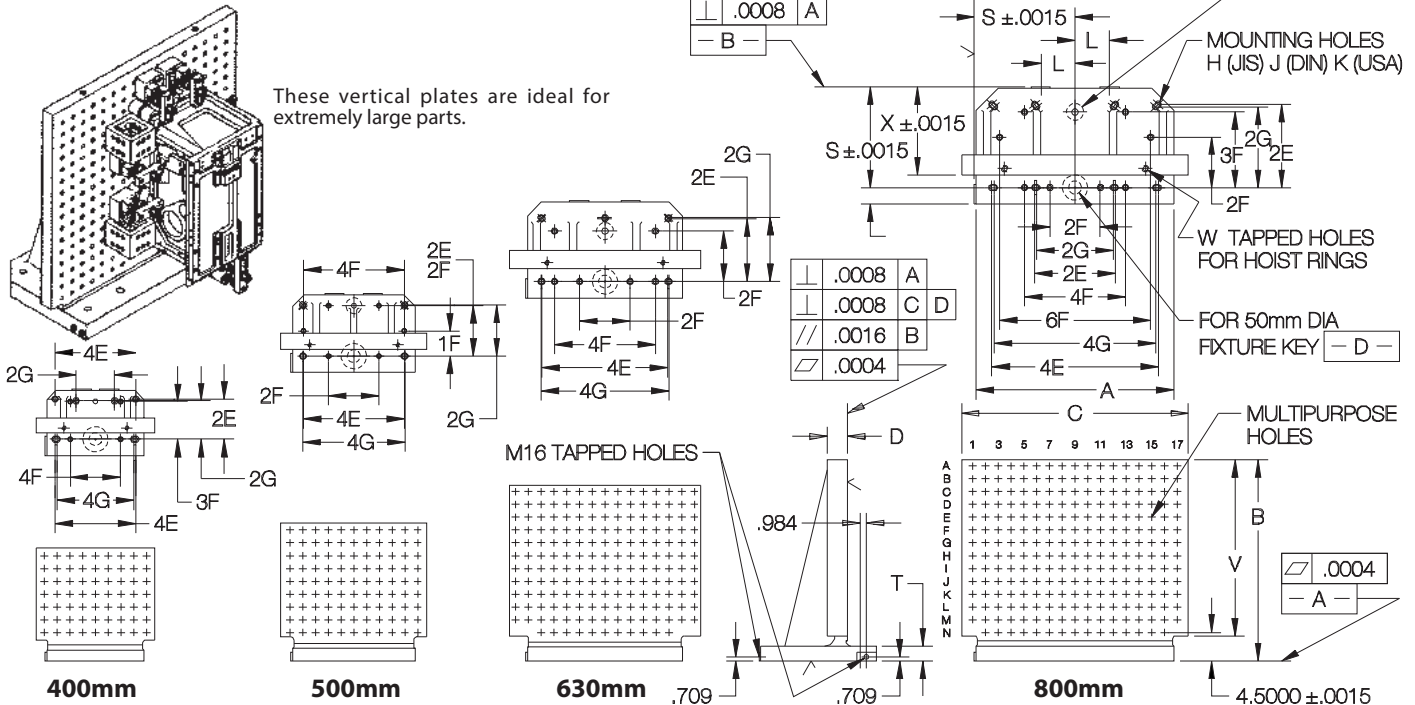
400mm



Standard

Precision angle plate for machining-center pallets. Large working face is accurately finish ground to tight tolerances, and qualified to the base. All multipurpose holes are spaced within .0008 inches of true position. Gussetted back provides excellent strength and rigidity while keeping weight to a minimum. One-piece cast construction provides superior accuracy, dimensional stability, and vibration dampening. Available in a full range of standard pallet sizes, with mounting holes to fit almost any inch or metric slot spacing. Dual mounting capability allows both JIS mounting (locating from two reference edges) and DIN mounting (locating from center and radial holes) with excellent accuracy. **INFO+**: See page 397 for mounting information.

These vertical plates are ideal for extremely large parts.

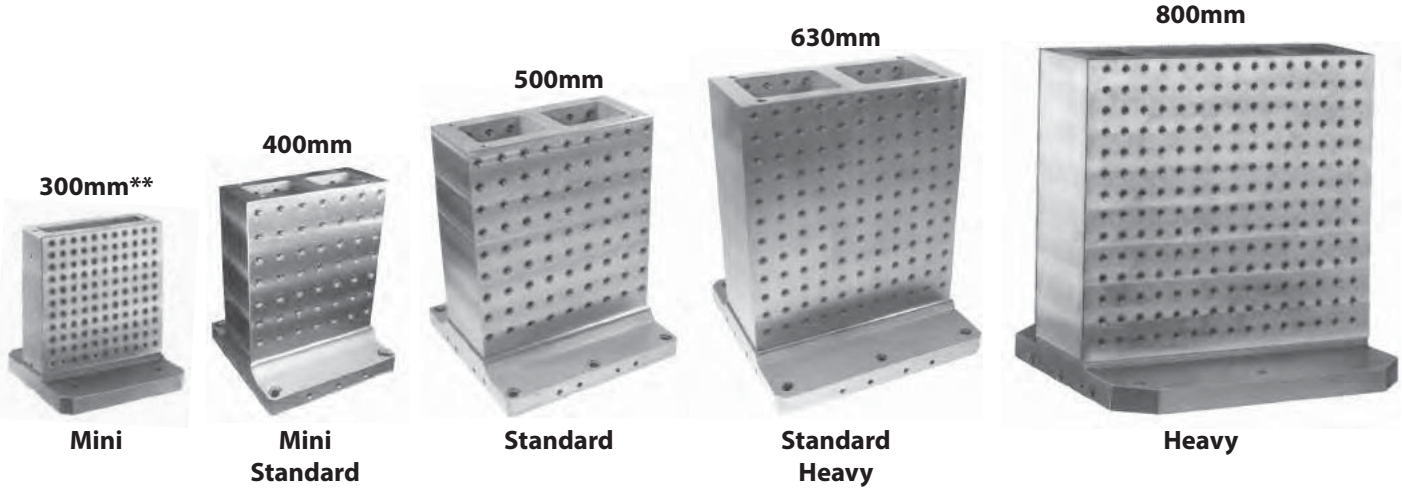


10

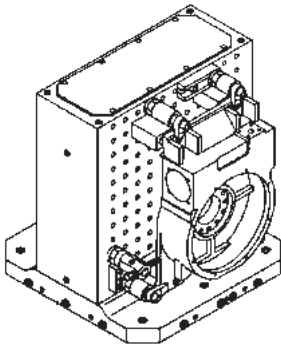
SIZE	PART NO.	MULTIPURPOSE HOLES				A													APPROX WEIGHT (LBS)					
		THREAD	ID	SPACING	PATTERN	NOMINAL	ACTUAL	B	C	D	E (JIS)	F (DIN)	G (USA)	H (JIS)	J (DIN)	K (USA)	L	P DIA		S	T	V	W	X
STANDARD	CL-MF40-0451	1/2-13	.5000	2.0000	9x7	400mm	15.20	17.72	18.50	2.36	80mm	50mm	3.000	M16	M12	5/8-11 or M16	2.165	20mm	7.8740	1.77	14.39	5/8-11	6.8898	210
	11x9				500mm	19.13	21.65	22.83	2.56	100mm	100mm	4.000	8.8583		345									
	15x12				630mm	24.25	27.56	29.92	2.95	125mm	100mm	5.000	10.4331		665									
HEAVY	CL-MF50-0453	5/8-11	.6250	2.0000	15x12	630mm	24.25	27.56	29.92	2.95	125mm	100mm	5.000	M16	M16	5/8-11 or M16	3.937	25mm	12.4016	2.17	23.60	3/4-10	10.4331	655
	17x14				800mm	30.94	31.50	35.43	3.15	160mm	6.000		5.315		25mm	15.7480	2.36	27.55	1-8	13.7795	990			

TWO-SIDED TOOLING BLOCKS

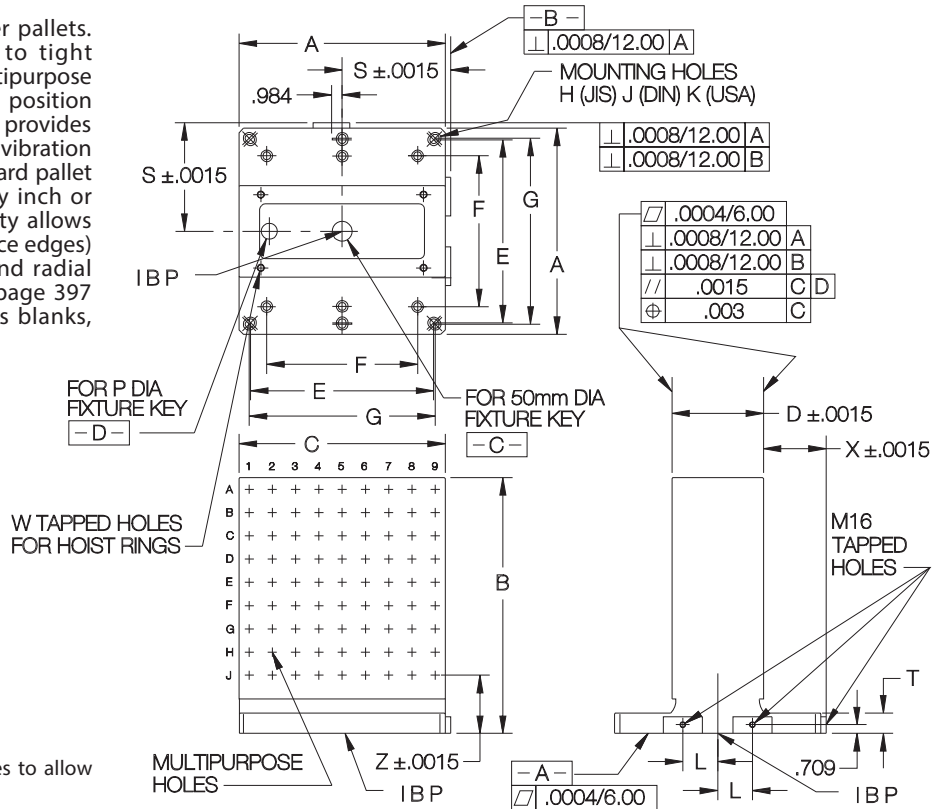
GRAY CAST IRON, ASTM CLASS 45



Precision tooling block for machining-center pallets. Both faces are accurately finish ground to tight tolerances, and qualified to the base. All multipurpose holes are spaced within .0008 inches of true position (.0004 for mini). One-piece cast construction provides superior accuracy, dimensional stability, and vibration dampening. Available in a full range of standard pallet sizes, with mounting holes to fit almost any inch or metric slot spacing. Dual mounting capability allows both JIS mounting (locating from two reference edges) and DIN mounting (locating from center and radial holes) with excellent accuracy. **INFO+**: See page 397 for mounting information. Also available as blanks, without multipurpose holes.



These tooling blocks have two identical wide faces to allow fixturing large parts.

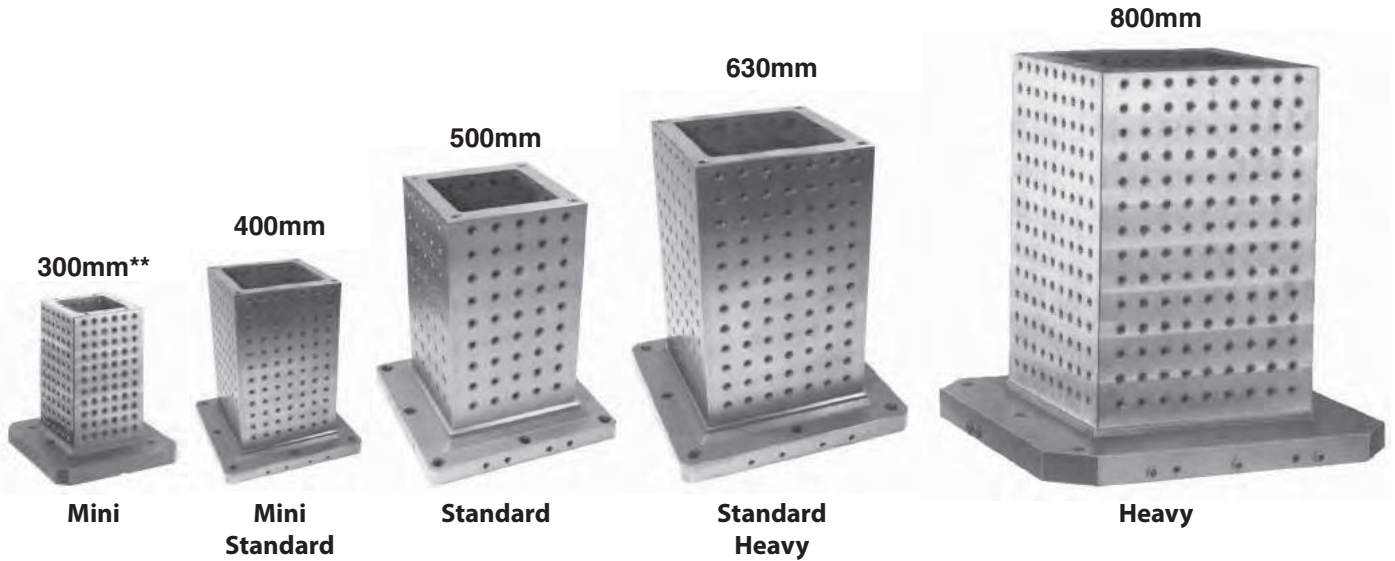


SIZE	PART NO.	MULTIPURPOSE HOLES				A		B	C	D	E (JIS)	F (DIN)	G (USA)	H (JIS)	J (DIN)	K (USA)	L	P DIA	S	T	W	X	Z	APPROX WEIGHT (LBS)
		THREAD	ID	SPACING	PATTERN	NOMINAL	ACTUAL																	
MINI	CL-MF25-0600	5/16-18	.5000	1.0000	11x11	300mm	11.81	13.19	11.81	3.9370	252mm	200mm	250mm	M16	M10	5/8-11 or M16	1.969	20mm	6.2992	1.38	3/8-16	4.3307	2.7500	120
	CL-MF25-0601				15x14	400mm	15.20	17.72	15.75	5.9055	320mm	200&300mm	12		M12	2.165	7.8740		1.97	5/8-11	4.9213	4.0000	290	
STANDARD	CL-MF40-0611	1/2-13	.5000	2.0000	7x7	400mm	15.20	17.72	15.75	5.8750	320mm	200&300mm	12	M16	M12	5/8-11 or M16	2.165	20mm	7.8740	1.97	5/8-11	4.9365	5.0000	340
	CL-MF40-0612				9x9	500mm	19.13	21.65	19.69	7.8750	400mm	200&400mm	16		M16	2.953	9.8425		1.97	5/8-11	5.9050			
	CL-MF40-0613				11x11	630mm	24.25	27.56	24.80	9.8750	500mm	400mm	20		M16	3.937	25mm		12.4016	2.17	3/4-10	7.4641	5.0000	1040
HEAVY	CL-MF50-0603	5/8-11	.6250	2.0000	11x11	630mm	24.25	27.56	24.80	9.8425	500mm	400mm	20	M16	M16	5/8-11 or M16	3.937	25mm	12.4016	2.17	3/4-10	7.4803	5.0000	1020
	CL-MF50-0604				15x14	800mm	30.94	31.50	31.50	11.8110	640mm	400&600mm	24		M16	5.315	15.7480		2.36	1-8	9.8425	4.5000	1480	

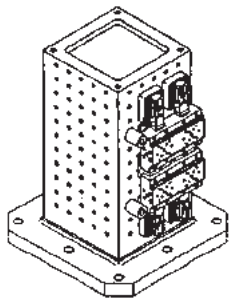
** 300mm size also fits 320mm pallets with the 10mm-thick edge pads furnished.

FOUR-SIDED TOOLING BLOCKS

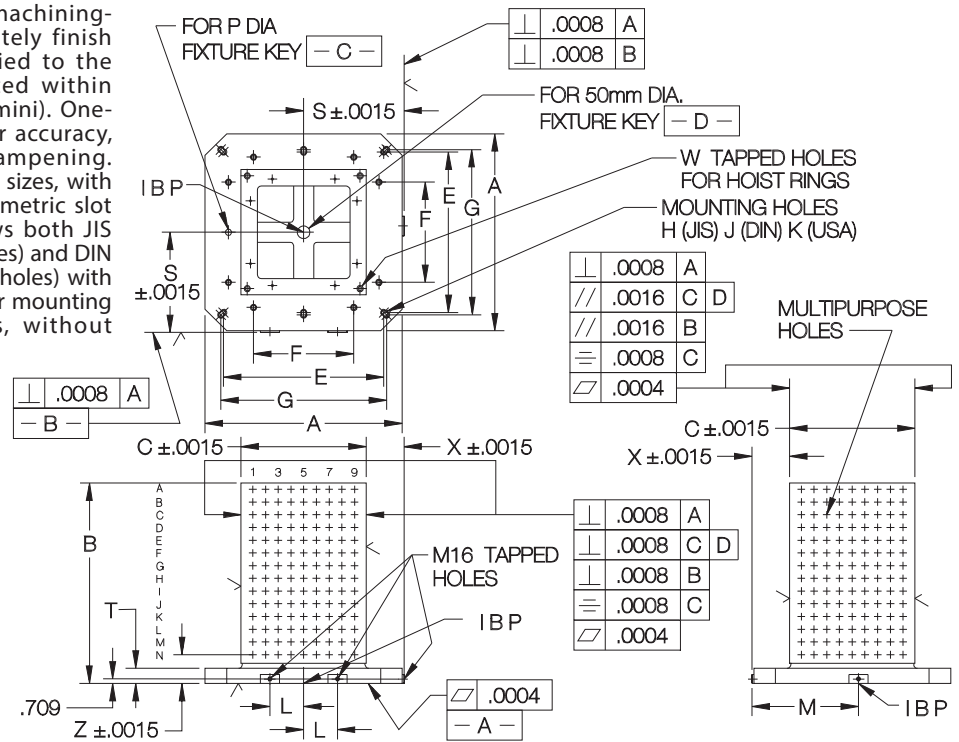
FOUR-SIDED TOOLING BLOCKS



Precision four-sided tooling block for machining-center pallets. All four faces are accurately finish ground to tight tolerances, and qualified to the base. All multipurpose holes are spaced within .0008 inches of true position (.0004 for mini). One-piece cast construction provides superior accuracy, dimensional stability, and vibration dampening. Available in a full range of standard pallet sizes, with mounting holes to fit almost any inch or metric slot spacing. Dual mounting capability allows both JIS mounting (locating from two reference edges) and DIN mounting (locating from center and radial holes) with excellent accuracy. **INFO+**: See page 397 for mounting information. Also available as blanks, without multipurpose holes.



With four identical faces, these tooling blocks are ideal for loading a large number of medium-size parts on a pallet.



SIZE	PART NO.	MULTIPURPOSE HOLES				A		B	C	E (JIS)	F (DIN)	G (USA)	H (JIS)	J (DIN)	K (USA)	L	P DIA	S	T	W	X	Z	APPROX WEIGHT (LBS)
		THREAD	ID	SPACING	PATTERN	NOMINAL	ACTUAL																
MINI	CL-MF25-0700				5x11	300mm	11.81	13.19	6.8898	252mm	200mm	250mm	M10	5/8-11 or M16	1.969	20mm	6.2992	1.38	3/8-16	2.8543	2.7500	120	
	CL-MF25-0711	5/16-18	.5000	1.0000	8x14	400mm	15.20	17.72	9.8425	320mm	200&300mm	12	M16	M12	2.165	20mm	7.8740	1.97	5/8-11	2.9528	4.0000	265	
STANDARD	CL-MF40-0711				4x7	400mm	15.20	17.72	9.8425	320mm	200&300mm	12	M16	M12	2.165	20mm	7.8740	1.97	5/8-11	2.9528	5.0000	325	
	CL-MF40-0712	1/2-13	.5000	2.0000	5x9	500mm	19.13	21.65	11.8125	400mm	200&400mm	16		M16	M12	2.953	20mm		9.8425	3.9363		515	
	CL-MF40-0713				7x11	630mm	24.25	27.56	15.7500	500mm	400&600mm	20		M16	M16	3.937	25mm		12.4016	2.17		3/4-10	4.5266
HEAVY	CL-MF50-0703				7x11	630mm	24.25	27.56	15.7480	500mm	400&600mm	20	M16	M16	3.937	25mm	12.4016	2.17	3/4-10	4.5276	5.0000	870	
	CL-MF50-0704	5/8-11	.6250	2.0000	9x14	800mm	30.94	31.50	19.6850	640mm	400&600mm	24		M16	M16	5.315	25mm	15.7480	2.36	1-8	5.9055	4.5000	1350

** 300mm size also fits 320mm pallets with the 10mm-thick edge pads furnished.

RISER PLATES

GRAY CAST IRON, ASTM CLASS 45



Mini

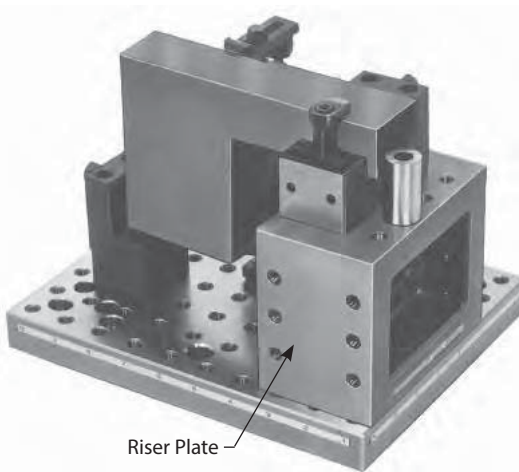
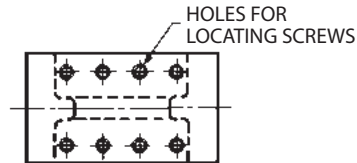
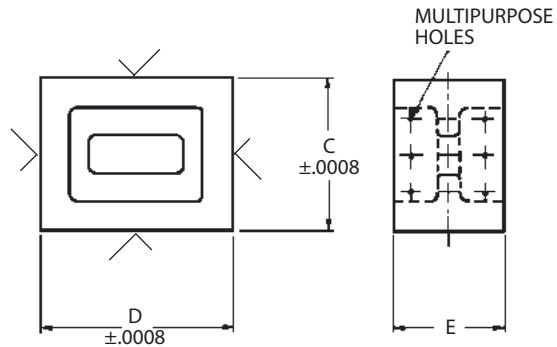
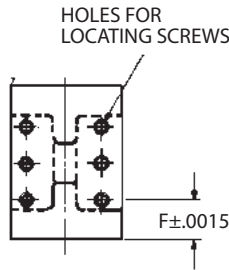
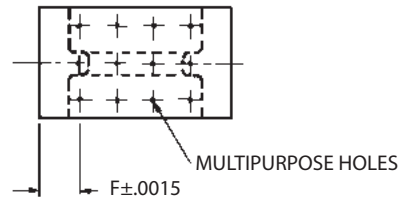


Standard Heavy



Standard Heavy

Use for raising clamps and locators up to reach a workpiece, parallel to the tooling plate. Riser Plates can be mounted either the short way or the tall way. Two sides have bushed locating-screw holes for accurately mounting the riser plate to the tooling plate. The other two sides have multipurpose holes for mounting clamps and locators.

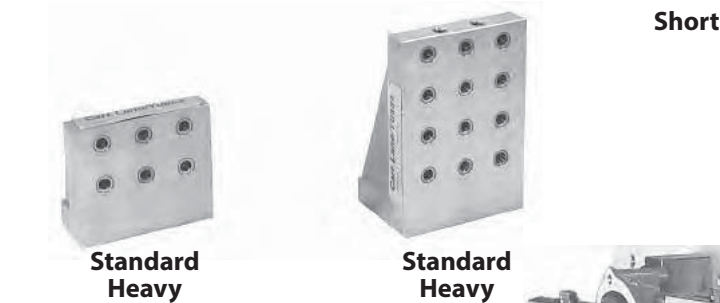
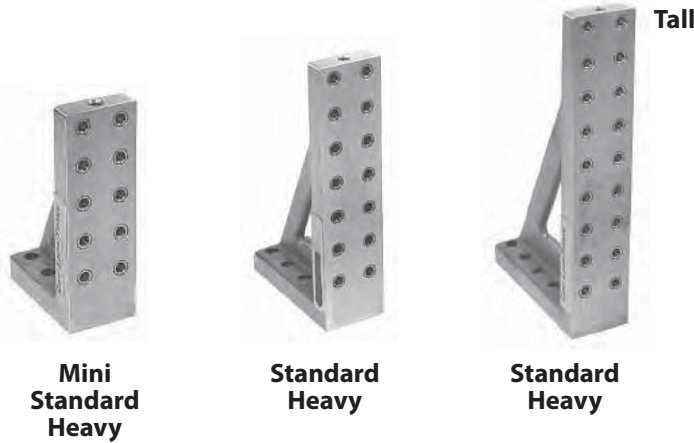


10

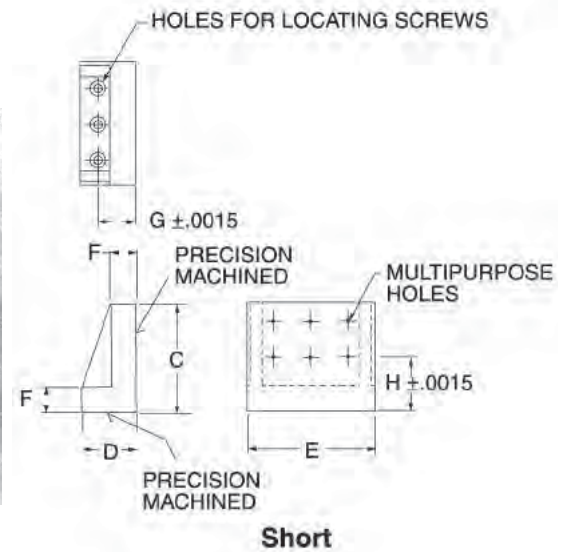
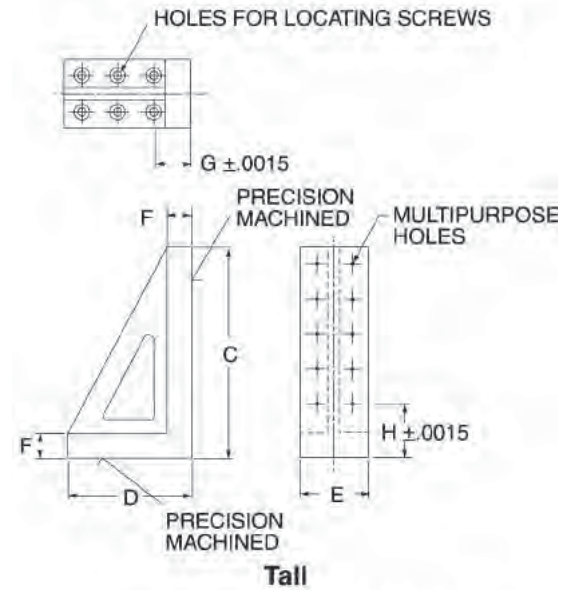
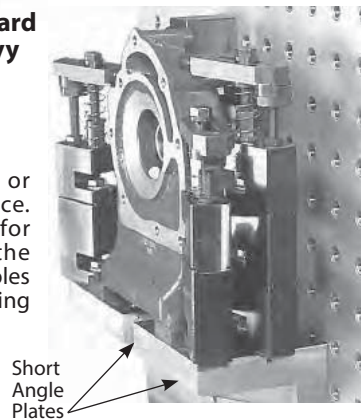
SIZE	PART NO.	MULTIPURPOSE HOLES				C	D	E	F	APPROX WEIGHT (LBS)	LOCATING SCREWS (2 REQD)	SOCKET-HEAD CAP SCREWS (2 REQD)
		THREAD	ID	SPACING	PATTERN							
MINI	CL-MF25-0900	5/16-18	.5000	1.0000	5x5 and 5x3	5.1250	6.1250	5-1/2	1.5625	26	CL-MF25-4300 + CL-5/16-18x1.75-SHCS	CL-5/16-18x1.75-SHCS
STANDARD	CL-MF40-0911	1/2-13	.5000	2.0000	3x3 and 3x2	6.2500	8.2500	5-7/8	2.1250	57	CL-MF40-4302	CL-1/2-13x2.25-SHCS
	CL-MF40-0912				3x4 and 3x3	8.2500	10.2500			81		
HEAVY	CL-MF50-0901	5/8-11	.6250	2.0000	3x3 and 3x2	6.2500	8.2500	5-7/8	2.1250	55	CL-MF50-4302	CL-5/8-11x3.00-SHCS
	CL-MF50-0902				3x4 and 3x3	8.2500	10.2500			79		

ANGLE PLATES

GRAY CAST IRON, ASTM CLASS 45



Versatile way to hold workpieces, clamps or locators perpendicular to the tooling surface. Bottom has bushed locating-screw holes for accurately mounting the angle plate to the tooling plate. Vertical side has multipurpose holes for mounting clamps, locators or vertical tooling plates.



TALL

SIZE	PART NO.	MULTIPURPOSE HOLES				C	D	E	F	G	H	APPROX WEIGHT (LBS)	LOCATING SCREWS (2 REQD)	SOCKET-HEAD CAP SCREWS (1 TO 2 REQD)
		THREAD	ID	SPACING	PATTERN									
MINI	CL-MF25-0401	5/16-18	.5000	1.000	3x10	11-13/16	5-7/8	3-1/8	1	1.5000	1.5000	22	CL-MF25-4300 + CL-5/16-18x1.75-SHCS	CL-5/16-18x1.75-SHCS
STANDARD	CL-MF40-0411	1/2-13	.5000	2.0000	2x5	11-13/16	6-7/8	3-7/8	1-3/8	2.0000	3.0000	26	CL-MF40-4302	CL-1/2-13x2.25-SHCS
	2x7				15-3/4	8-13/16	37							
	2x9				19-11/16	10-13/16	51							
HEAVY	CL-MF50-0401	5/8-11	.6250	2.0000	2x5	11-13/16	7-1/16	3-7/8	1-9/16	2.1875	3.0000	29	CL-MF50-4302	CL-5/8-11x3.00-SHCS
	2x7				15-3/4	9	41							
	2x9				19-11/16	11	55							

SHORT

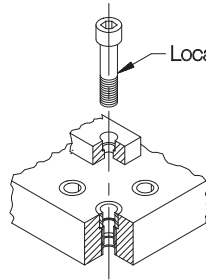
STANDARD	CL-MF40-0511	1/2-13	.5000	2.0000	3x2	5-7/8	2-15/16	6-11/16	1-3/8	2.0000	3.0000	18	CL-MF40-4302	CL-1/2-13x2.25-SHCS
	CL-MF40-0512				3x4	9-13/16	4-7/8					30		
HEAVY	CL-MF50-0501	5/8-11	.6250	2.0000	3x2	5-7/8	3-1/8	6-11/16	1-9/16	2.1875	3.0000	19	CL-MF50-4302	CL-1/2-13x2.25-SHCS
	CL-MF50-0502				3x4	9-13/16	5-1/16					35		

LOCATING SCREWS

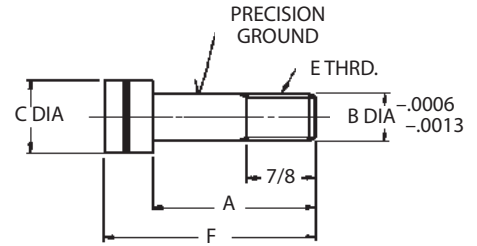
4130 STEEL, HEAT TREATED RC 33-39, BLACK OXIDE FINISH



Standard
Heavy



Locating Screw



Locating Screws are used to mount all locators in multipurpose grid holes (standard and heavy sizes). These specially designed, precision shoulder screws accurately locate and fasten at the same time.

SIZE	PART NO.	A	B DIA	C DIA	E	F	G
STANDARD	CL-MF40-4301	1-3/4	.5000	3/4	1/2-13	2-1/4	3/8
	CL-MF40-4302	2-1/4				2-3/4	
	CL-MF40-4303	2-3/4				3-1/4	
HEAVY	CL-MF50-4301	2	.6250	15/16	5/8-11	2-5/8	1/2
	CL-MF50-4302	2-1/2				3-1/8	
	CL-MF50-4303	3				3-5/8	

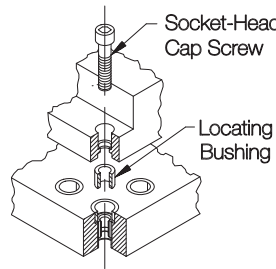
LOCATING BUSHINGS

1144 STEEL, HEAT TREATED RC 58-64, BLACK OXIDE FINISH



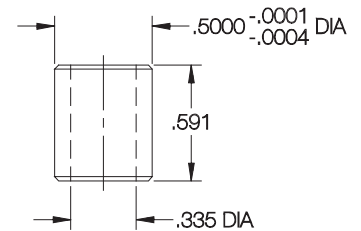
Mini

Used in mini-sized systems only. A Locating Bushing used together with a Socket-Head Cap Screw works similarly to a Locating Screw. This construction adds extra strength to mini components despite their small size.



Socket-Head Cap Screw

Locating Bushing



SIZE	PART NO.	FITS SOCKET-HEAD CAP SCREWS
MINI	CL-MF25-4300	5/16-18

SOCKET-HEAD CAP SCREWS

GRADE 8, BLACK OXIDE FINISH



Mini
Standard
Heavy

Socket-Head Cap Screws (grade 8) are used for fastening components whenever precise location is not needed. **INFO+**: The starter-set listings on pages 401-403 show part numbers and quantities of screws typically used with mini, standard, and heavy systems. Metric sizes are used to fasten plates and blocks to machine pallets.

INCH

PART NO.	THREAD SIZE	LENGTH UNDER HEAD
CL-6-32x.50-SHCS	#6-32	.50
CL-10-32x.50-SHCS	#10-32	.50
CL-10-32x1.50-SHCS		1.50
CL-1/4-20x.62-SHCS		.62
CL-1/4-20x.75-SHCS	1/4-20	.75
CL-1/4-20x1.50-SHCS		1.50
CL-1/4-20x2.00-SHCS		2.00
CL-1/4-20x2.50-SHCS		2.50
CL-5/16-18x.62-SHCS		.62
CL-5/16-18x.75-SHCS	5/16-18	.75
CL-5/16-18x1.00-SHCS		1.00
CL-5/16-18x1.12-SHCS		1.12
CL-5/16-18x1.38-SHCS		1.38
CL-5/16-18x1.50-SHCS		1.50
CL-5/16-18x1.75-SHCS		1.75
CL-5/16-18x2.00-SHCS		2.00
CL-5/16-18x2.50-SHCS		2.50
CL-5/16-18x3.50-SHCS		3.50
CL-3/8-16x4.00-SHCS		3/8-16

CL-1/2-13x1.00-SHCS	1/2-13	1.00
CL-1/2-13x1.25-SHCS		1.25
CL-1/2-13x1.50-SHCS		1.50
CL-1/2-13x1.75-SHCS		1.75
CL-1/2-13x2.00-SHCS		2.00
CL-1/2-13x2.25-SHCS	5/8-11	2.25
CL-1/2-13x2.75-SHCS		2.75
CL-1/2-13x4.50-SHCS		4.50
CL-5/8-11x1.00-SHCS		1.00
CL-5/8-11x1.25-SHCS		1.25
CL-5/8-11x1.50-SHCS		1.50
CL-5/8-11x2.00-SHCS		2.00
CL-5/8-11x2.25-SHCS		2.25
CL-5/8-11x2.50-SHCS		2.50
CL-5/8-11x3.00-SHCS		3.00
CL-5/8-11x5.00-SHCS	5.00	
CL-3/4-10x1.50-SHCS	3/4-10	1.50
CL-1-8x1.50-SHCS	1-8	1.50

METRIC

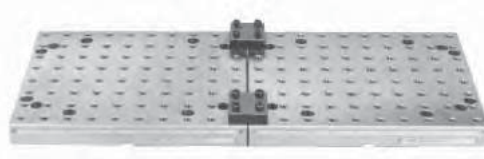
CLM-16x40-SHCS	M16	1.57
CLM-16x50-SHCS		1.97
CLM-16x65-SHCS		2.56

LOCATING GAGES

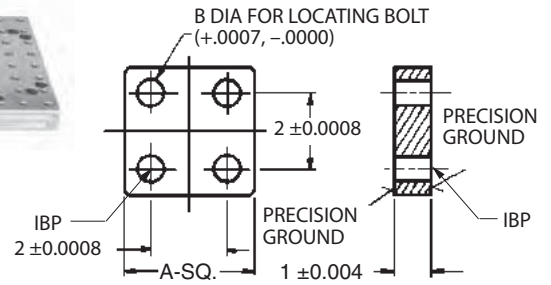
1045 STEEL, BLACK OXIDE FINISH



Standard Heavy



Use when connecting two tooling plates, to hold tolerances. Remove after fastening plates to machine.



SIZE	PART NO.	A	B DIA	LOCATING SCREW (4 REQD)
STANDARD	CL-MF40-4001	3-1/8	.5000	CL-MF40-4302
HEAVY	CL-MF50-4001	3-3/8	.6250	CL-MF50-4302

LOCATING PINS

1144 STEEL, HEAT TREATED RC 50-55, BLACK OXIDE FINISH



Round



Diamond

Round and Diamond Locating Pins are used together to align Quick-Change Tooling Plates or vises on a modular plate or block.

ROUND

SIZE	PART NO.	HEAD DIA	SHANK DIA
STANDARD	CL-MF40-4501	.6250	.5000
HEAVY	CL-MF50-4501	.6250	.6250

DIAMOND

SIZE	PART NO.	HEAD DIA	SHANK DIA
STANDARD	CL-MF40-4601	.6250	.5000
HEAVY	CL-MF50-4601	.6250	.6250

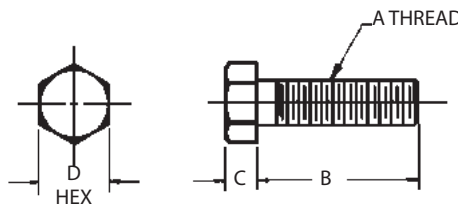
Standard Heavy

HEX-HEAD CAP SCREWS

GRADE 8, BLACK OXIDE FINISH



Mini Standard Heavy



Mounting screws for high-rise clamps, where access to a socket-head screw is difficult.

SIZE	PART NO.	A	B	C	D
MINI	CL-MF25-4311	5/16-18	.75	13/64	1/2
	CL-MF25-4312		1.25		
	CL-MF25-4313		1.50		
STANDARD	CL-MF40-4311	1/2-13	1.75	5/16	3/4
	CL-MF40-4312		2.75		
	CL-MF40-4313		3.00		
HEAVY	CL-MF50-4311	5/8-11	2.00	25/64	15/16
	CL-MF50-4312		3.00		
	CL-MF50-4313		3.50		

SPARE PROTECTION PLUGS

PLASTIC



Mini Standard Heavy

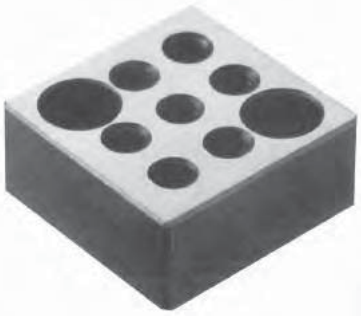
Durable screw-in plugs to keep dirt and chips out of holes that are not used for a particular setup. Note: a complete set of protection plugs is furnished with each tooling plate and block.



SIZE	PART NO.
MINI	CL-MF25-0001
STANDARD	CL-MF40-0001
HEAVY	CL-MF50-0001

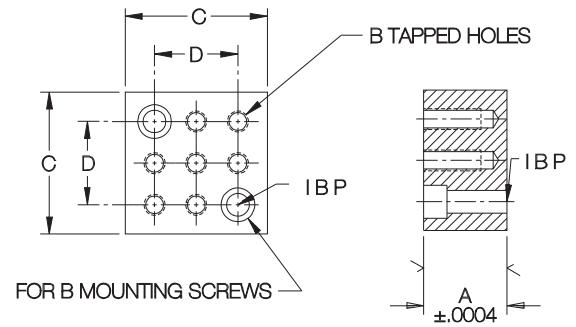
SUPPORT RISER BLOCKS

1045 STEEL, BLACK OXIDE FINISH



Mini
Standard
Heavy

Stackable block with precision ground top and bottom surfaces for accurate height location. Ideal for raising supports up to a workpiece. A choice of seven tapped holes allows mounting the support at any position between grid points.



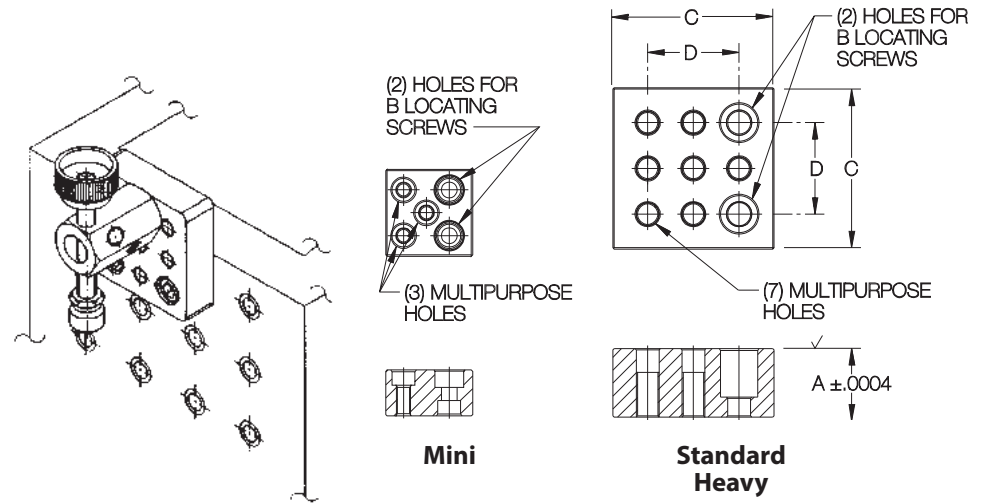
SIZE	PART NO.	A	B	C	D	SOCKET-HEAD CAP SCREW (2 REQD)
STANDARD	CL-MF40-1411	1.0000	1/2-13	3-3/8	2	CL-1/2-13x1.50-SHCS
	CL-MF40-1412	1.2500				CL-1/2-13x1.75-SHCS
	CL-MF40-1413	1.5000				CL-1/2-13x2.00-SHCS
HEAVY	CL-MF50-1412	1.2500	5/8-11	3-3/8	2	CL-5/8-11x2.00-SHCS
	CL-MF50-1413	1.5000				CL-5/8-11x2.25-SHCS
	CL-MF50-1414	2.0000				CL-5/8-11x3.00-SHCS

MULTIPURPOSE RISER BLOCKS

1045 STEEL, BLACK OXIDE FINISH



Mini
Standard
Heavy



A stackable, precision riser block with multipurpose holes instead of plain tapped holes. This unique feature allows raising any locator that mounts with Locating Screws, including Edge Supports (INFO+ page 422, Support Cylinders (INFO+ pages 420-421), and V Blocks (INFO+ pages 423-424). These blocks can also be used to extend some components beyond the edge of a tooling plate, as shown in the example.

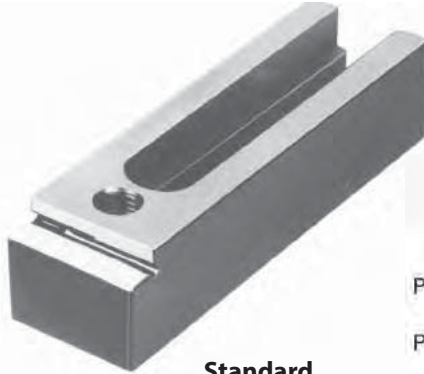
SIZE	PART NO.	MULTIPURPOSE HOLES		A	B	C	D	LOCATING SCREWS (2 REQD)
		THREAD	ID					
MINI	CL-MF25-1461	5/16-18	.5000	1.0000	5/16-18	1.98	1.0000	CL-MF25-4300+ CL-5/16-18x1.38-SHCS
	CL-MF25-1462		1.5000	CL-MF25-4300+ CL-5/16-18x1.38-SHCS				
STANDARD	CL-MF40-1462	1/2-13	.5000	1.5000	1/2-13	3.46	2.0000	CL-MF40-4301
	CL-MF40-1463		2.0000					
HEAVY	CL-MF50-1463	5/8-11	.6250	2.0000	5/8-11	3.46	2.0000	CL-MF50-4301

EXTENSION SUPPORTS

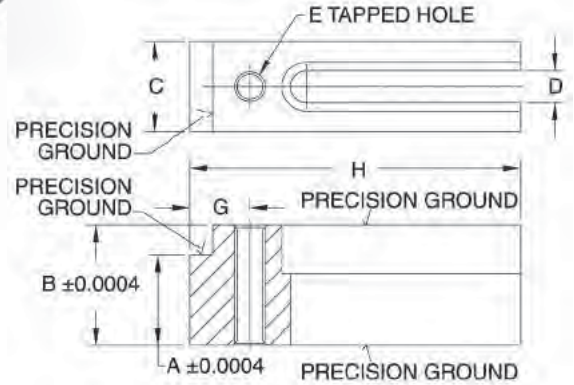
1045 STEEL, HEAT TREATED, BLACK OXIDE FINISH



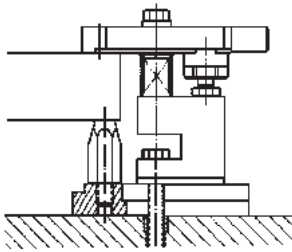
Mini



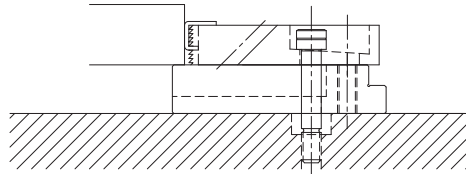
Standard Heavy



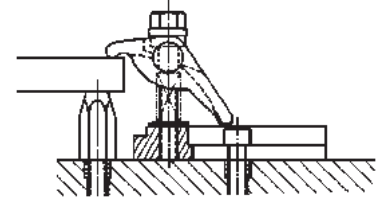
Extension Supports have a precision ground top and bottom surface for accurate height location. Standard and heavy sizes also have a precision ground step, for simultaneous height and edge location. Available in many support heights to match other types of height locators. The tapped hole is ideal for positioning components between grid points.



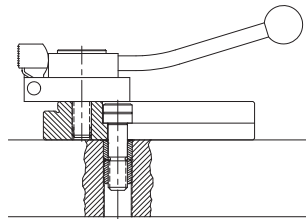
Screw Rest Pads (**INFO+** page 423) can be positioned anywhere between grid points when mounted on an Extension Support.



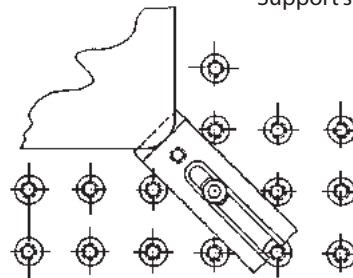
Extension Supports are a perfect height locator to mount underneath Serrated Edge Clamps (**INFO+** page 438).



Forged Adjustable Clamps (**INFO+** page 436) can be placed anywhere between grid points when mounted in an Extension Support's tapped hole.



Cam Edge Clamps (**INFO+** page 436) can be placed anywhere between grid points when mounted in an Extension Support's tapped hole.



Extension Supports allow precise edge location anywhere between grid points.

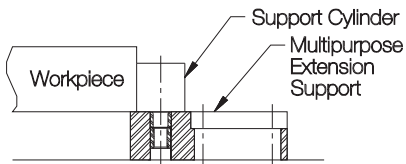
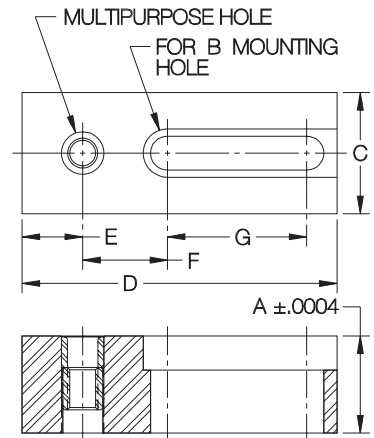
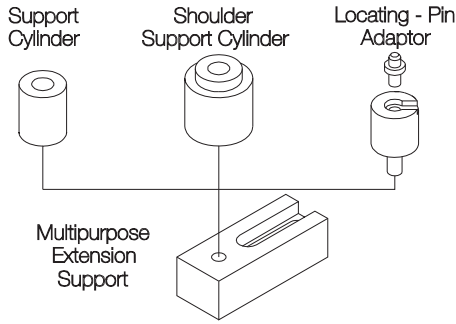
SIZE	PART NO.	A	B	C	D	E	F	G	H	SOCKET-HEAD CAP SCREW (1 REQD)
MINI	CL-MF25-3301	—	.5000	7/8	11/32	5/16-18	—	5/16	2-1/2	CL-5/16-18x1.00-SHCS
	CL-MF25-3302		.7500							
	CL-MF25-3303		1.0000							
	CL-MF25-3304		1.2500							
	CL-MF25-3305		1.5000							
	CL-MF25-3306		2.0000							
STANDARD	CL-MF40-3300	.7500	1.0000	1-1/2	17/32	1/2-13	3/8	1	5-1/2	CL-1/2-13x1.50-SHCS
	CL-MF40-3301	1.0000	1.2500							CL-1/2-13x2.75-SHCS
	CL-MF40-3302	1.5000	2.0000							CL-5/8-11x2.00-SHCS
HEAVY	CL-MF50-3301	1.0000	1.2500	2	21/32	5/8-11	1/2	1-1/8	5-1/2	CL-5/8-11x2.50-SHCS
	CL-MF50-3302	1.5000	2.0000							CL-5/8-11x2.50-SHCS

MULTIPURPOSE EXTENSION SUPPORTS

1018 STEEL, CASE HARDENED, BLACK OXIDE FINISH



**Mini
Standard
Heavy**



INFO+: Similar to the Extension Supports on page 417, but with a multipurpose hole instead of a plain tapped hole (and slightly larger). This allows attaching any fixed-position locator that mounts with a Locating Screw, enabling that locator to be used between grid points. Such locators include Support Cylinders (**INFO+** page 420) and Shoulder Support Cylinders (**INFO+** page 421). Top and bottom surfaces are precision ground for accurate height location.

Can be used with a Support Cylinder for simultaneous horizontal and vertical location, using the top surface of the Multipurpose Extension Support as a height locator.

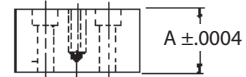
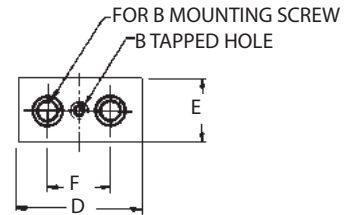
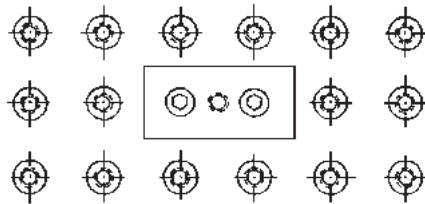
SIZE	PART NO.	MULTIPURPOSE HOLE		A	B	C	D	E	F	G	SOCKET-HEAD CAP SCREW (1 REQD)
		THREAD	ID								
MINI	CL-MF25-4751	5/16-18	.5000	1.0000	5/16-18	1-1/2	3-5/8	3/4	1	1-1/2	CL-5/16-18x1.00-SHCS
STANDARD	CL-MF40-4751	1/2-13	.5000	1.5000	1/2-13	2-1/4	6	1-1/4	1-3/8	2-7/8	CL-1/2-13x2.00-SHCS
HEAVY	CL-MF50-4751	5/8-11	.6250	2.0000	5/8-11	2-1/2	6-1/2	1-1/4	1-3/4	2-7/8	CL-5/8-11x2.50-SHCS

HALFWAY EXTENSION SUPPORTS

1045 STEEL, HEAT TREATED, BLACK OXIDE FINISH



**Mini
Standard
Heavy**



Precision ground top and bottom surface for accurate height location. Ideal for positioning components exactly halfway between two multipurpose holes. Also useful as a large rest pad.

SIZE	PART NO.	A	B	D	E	F	SOCKET-HEAD CAP SCREWS (2 REQD)
MINI	CL-MF25-3601	.5000	5/16-18	2	7/8	1	CL-5/16-18x1.00-SHCS
	CL-MF25-3602	.7500					
	CL-MF25-3603	1.0000					
	CL-MF25-3604	1.2500					CL-5/16-18x1.38-SHCS
	CL-MF25-3605	1.5000					
	CL-MF25-3606	2.0000					
STANDARD	CL-MF40-3601	1.0000	1/2-13	4	2	2	CL-1/2-13x1.50-SHCS
	CL-MF40-3602	1.2500					
	CL-MF40-3603	1.5000					
HEAVY	CL-MF50-3601	1.0000	5/8-11	4	2	2	CL-5/8-11x2.00-SHCS
	CL-MF50-3602	1.2500					
	CL-MF50-3603	1.5000					

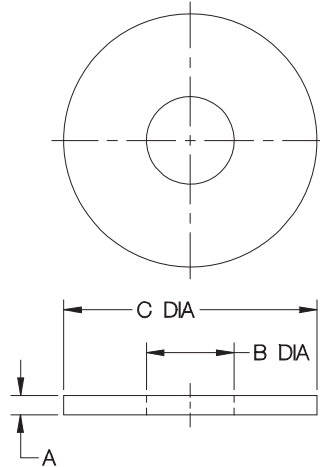
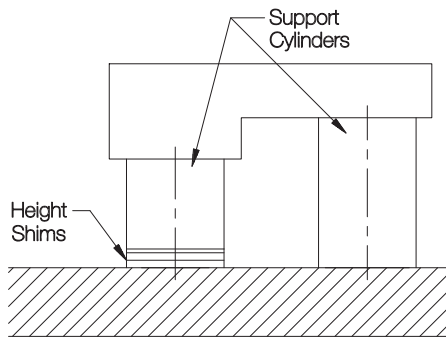
HEIGHT SHIMS

1010 STEEL



**Mini
Standard
Heavy**

Precision shims that allow raising a height locator by a small, exact amount. Ideal when supporting at different levels underneath a workpiece, as in the example shown using Support Cylinders. Shims are stackable to obtain any height in .001-inch increments. Thickness tolerance is $\pm .0003$ on .062 and .125 sizes, $\pm 10\%$ on smaller sizes.



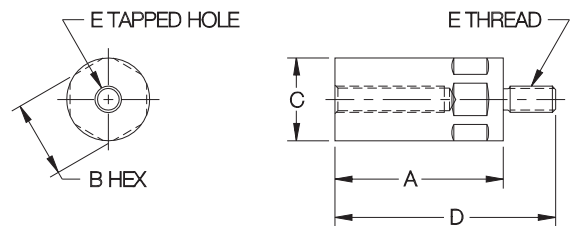
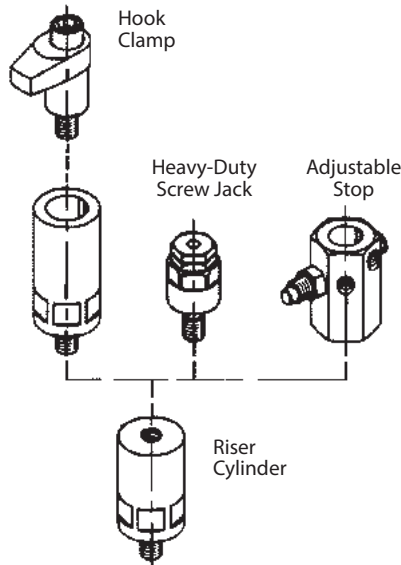
SIZE	PART NO.	A	B DIA	C DIA
MINI	CL-MF25-7002	.002	9/16	15/16
	CL-MF25-7003	.003		
	CL-MF25-7004	.004		
	CL-MF25-7005	.005		
	CL-MF25-7010	.010		
	CL-MF25-7020	.020		
	CL-MF25-7062	.062		
STANDARD	CL-MF40-7002	.002	9/16	1-5/8
	CL-MF40-7003	.003		
	CL-MF40-7004	.004		
	CL-MF40-7005	.005		
	CL-MF40-7010	.010		
	CL-MF40-7020	.020		
	CL-MF40-7062	.062		
HEAVY	CL-MF50-7002	.002	11/16	1-7/8
	CL-MF50-7003	.003		
	CL-MF50-7004	.004		
	CL-MF50-7005	.005		
	CL-MF50-7010	.010		
	CL-MF50-7020	.020		
	CL-MF50-7062	.062		
	CL-MF50-7125	.125		

RISER CYLINDERS

1045 STEEL, BLACK OXIDE FINISH



**Mini
Standard
Heavy**



SIZE	PART NO.	A	B	C DIA	D	E
MINI	CL-MF25-5201	1-1/4	7/8	1	2	5/16-18
	CL-MF25-5202	1-1/2			2-1/4	
	CL-MF25-5203	2			2-3/4	
STANDARD	CL-MF40-5201	2	1-7/16	1-9/16	3-1/4	1/2-13
	CL-MF40-5203	3-1/8			4-3/8	
	CL-MF40-5204	4			5-1/4	
HEAVY	CL-MF50-5201	2	1-13/16	2	3-1/4	5/8-11
	CL-MF50-5203	3-1/8			4-3/8	
	CL-MF50-5204	4			5-1/4	

Provides additional height without taking up much space. Useful with Hook Clamps (INFO+ page 435), and Heavy-Duty Screw Jacks (INFO+ page 425).

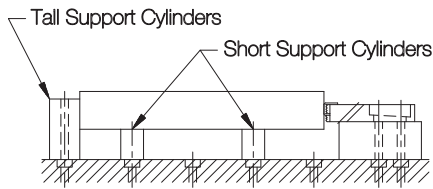
SUPPORT CYLINDERS

1045 OR 1144 STEEL, HEAT TREATED, BLACK OXIDE FINISH

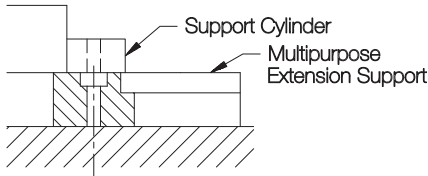


**Mini
Standard
Heavy**

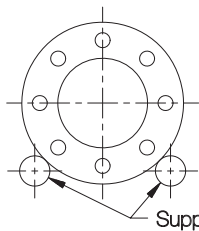
Extremely versatile precision locator that can be used either as a support or for side location. Ground on top, bottom, and outside diameter. Available in many support heights to match other types of height locators. **INFO+**: For additional height, use Multipurpose Riser Blocks (page 416). **INFO+**: To position between grid points, use a Multipurpose Extension Support (page 418).



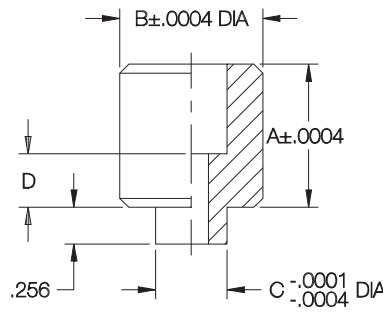
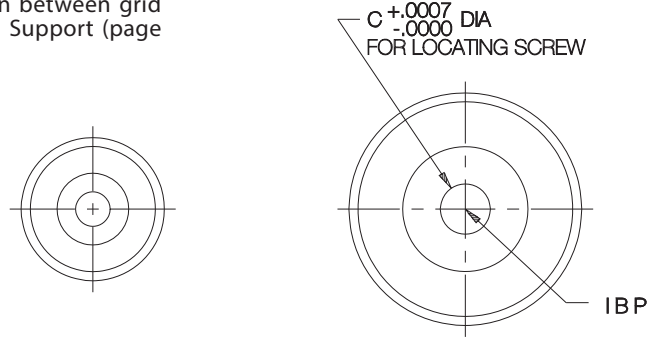
With the wide range of available heights, Support Cylinders can be used as both side locators and supports.



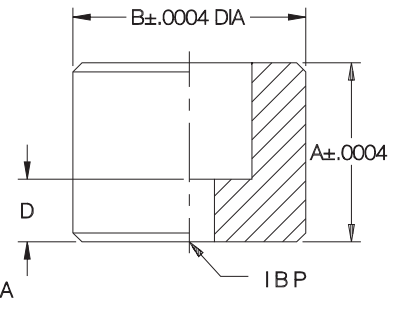
A Multipurpose Extension Support (**INFO+** page 418) can be used to mount a Support Cylinder anywhere between grid points.



Two Support Cylinders can accurately locate a large diameter, similar to using a V Block.



Mini



**Standard
Heavy**

SIZE	PART NO.	A	B DIA	C DIA	D	LOCATING SCREW (1 REQD)	
MINI	CL-MF25-3101	.5000	1.0000	.5000	5/32	CL-5/16-18x1.00-SHCS	
	CL-MF25-3102	.7500			3/8		
	CL-MF25-3103	1.0000					
	CL-MF25-3104	1.2500					
	CL-MF25-3105	1.5000					
	CL-MF25-3106	2.0000					
CL-MF25-3107	2.5000						
STANDARD	CL-MF40-3101	1.0000	1.6250	.5000	7/16	CL-MF40-4301	
	CL-MF40-3112	1.2500					
	CL-MF40-3113	1.5000					
	CL-MF40-3102	2.0000					
	CL-MF40-3114	2.5000			2.0000		15/16
	CL-MF40-3103	3.0000					
	CL-MF40-3104	4.0000					
	CL-MF40-3115	4.5000					
CL-MF40-3105	5.0000						
HEAVY	CL-MF50-3112	1.2500	2.0000	.6250	9/16	CL-MF50-4301	
	CL-MF50-3113	1.5000					
	CL-MF50-3101	2.0000					
	CL-MF50-3114	2.5000					
	CL-MF50-3102	3.0000			1-1/16		
	CL-MF50-3103	4.0000					
	CL-MF50-3115	4.5000					
	CL-MF50-3104	5.0000					

SHOULDER SUPPORT CYLINDERS

1045 OR 1144 STEEL, HEAT TREATED, BLACK OXIDE FINISH



Mini

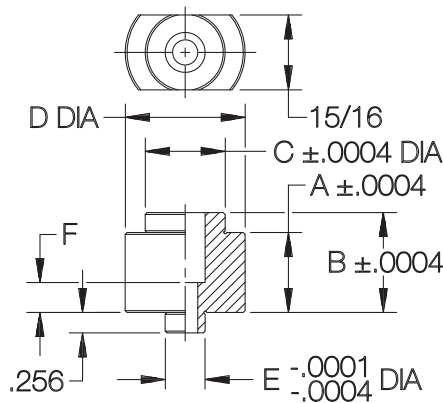


Standard Heavy

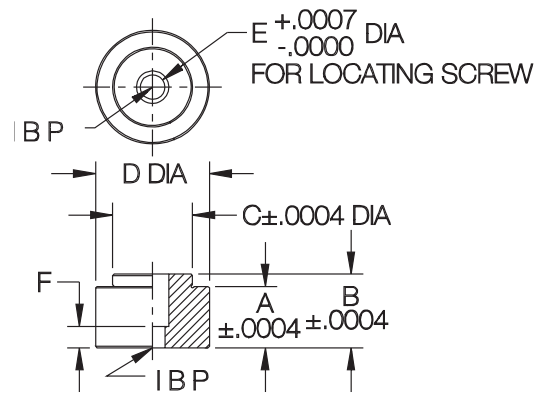
Precision edge locator with a ground shoulder for simultaneous horizontal and vertical location. Available in many support heights to match other types of height locators. **INFO+**: For additional height, use Multipurpose Riser Blocks (page 416). **INFO+**: To position between grid points, use a Multipurpose Extension Support (page 418).

The mini (5/16") version has a locating extension underneath the Shoulder Support Cylinder that fits directly into a multipurpose grid hole, taking the place of a Locating Bushing. Fasten with a Socket-Head Cap Screw (order separately).

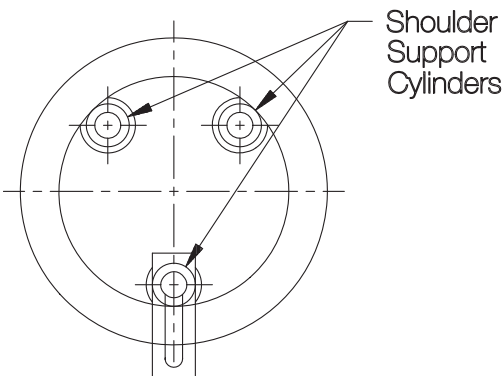
The standard (1/2") and heavy (5/8") versions are fastened with a Locating Screw (order separately).



Mini



Standard and Heavy

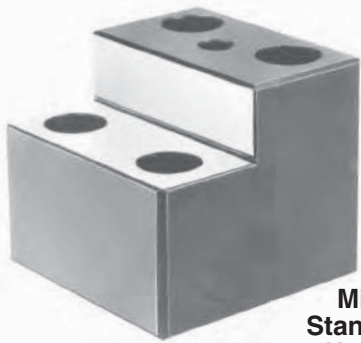


Shoulder Support Cylinders can be used to locate from internal edges, as well as external edges. Shown here, three of them locate a large bored diameter, one mounted on a Multipurpose Extension Support.

SIZE	PART NO.	A	B	C DIA	D DIA	E DIA	F	LOCATING SCREW (1 REQD)
MINI	CL-MF25-3200	.5000	.7500	1.0000	1-1/2	.5000	3/8	CL-5/16-18x1.12-SHCS
	CL-MF25-3201	.7500	1.0000					
	CL-MF25-3202	1.0000	1.2500					
	CL-MF25-3203	1.2500	1.5000					
	CL-MF25-3204	1.5000	2.0000					
	CL-MF25-3205	2.0000	2.5000					
	CL-MF25-3206	2.5000	3.0000					
STANDARD	CL-MF40-3201	.7500	1.0000	1.6250	2-5/16	.5000	7/16	CL-MF40-4301
	CL-MF40-3202	1.0000	1.2500					
	CL-MF40-3203	1.2500	1.5000					
	CL-MF40-3204	1.5000	2.0000					
	CL-MF40-3205	2.0000	2.5000					
	CL-MF40-3206	2.5000	3.0000					
	CL-MF40-3207	3.0000	4.0000					
	CL-MF40-3208	4.0000	5.0000				15/16	CL-MF40-4302
HEAVY	CL-MF50-3201	1.0000	1.2500	2.0000	2-7/8	.6250	9/16	CL-MF50-4301
	CL-MF50-3202	1.2500	1.5000					
	CL-MF50-3203	1.5000	2.0000					
	CL-MF50-3204	2.0000	2.5000					
	CL-MF50-3205	2.5000	3.0000					
	CL-MF50-3206	3.0000	4.0000					
	CL-MF50-3207	4.0000	5.0000				1-1/16	CL-MF50-4302

EDGE SUPPORTS

1045 STEEL, HEAT TREATED, BLACK OXIDE FINISH

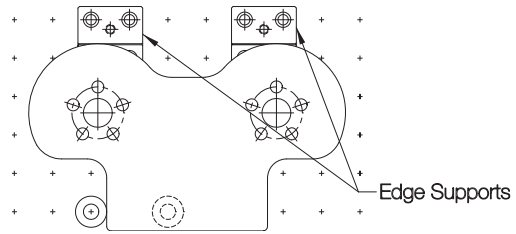


Single

Mini
Standard
Heavy



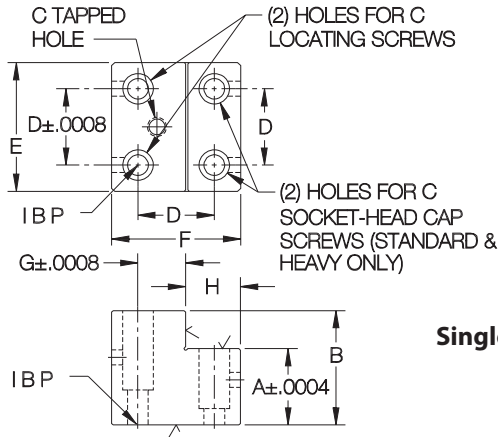
Double



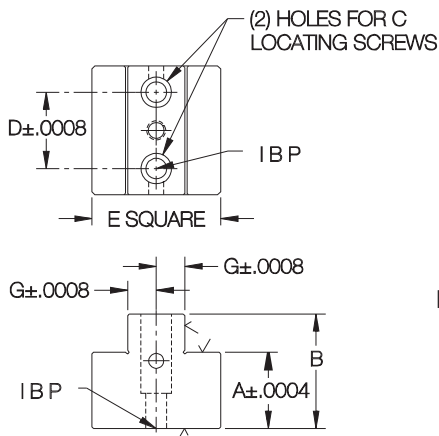
Precision edge locator with a ground step for simultaneous horizontal and vertical location. Large contact area is ideal for supporting heavy workpieces and locating curved surfaces. Available in many support heights to match other types of height locators. For additional height, use Multipurpose Riser Blocks (**INFO+**: page 416).

SINGLE

SIZE	PART NO.	A	B	C	D	E	F	G	H	LOCATING SCREWS (2 REQD)	SOCKET-HEAD CAP SCREWS (0 OR 2 REQD)	
MINI	CL-MF25-3700	.5000	1	5/16-18	1.0000	1-3/4	1-3/8	.5000	3/8	CL-MF25-4300+ CL-5/16-18x1.50-SHCS	—	
	CL-MF25-3701	.7500	1-1/4									
	CL-MF25-3702	1.0000	1-1/2									
	CL-MF25-3703	1.2500	2									
STANDARD	CL-MF40-3701	.7500	1-3/4	1/2-13	2.0000	3-3/8	3-3/8	1.2500	1-7/16	CL-MF40-4302	CL-1/2-13x1.50-SHCS	
	CL-MF40-3702	1.0000	2								CL-1/2-13x2.00-SHCS	
	CL-MF40-3703	1.2500	2-1/4								CL-MF40-4303	CL-1/2-13x2.25-SHCS
	CL-MF40-3704	1.5000	2-1/2									
	CL-MF40-3705	2.0000	3							CL-MF40-4303	CL-1/2-13x2.25-SHCS	
	CL-MF40-3706	2.5000	3-1/2									
	CL-MF40-3707	3.0000	4-1/2									
	CL-MF40-3708	4.0000	5-1/2									
HEAVY	CL-MF40-3709	5.0000	6-1/2	5/8-11	2.0000	3-3/8	3-3/8	1.2500	1-7/16	CL-MF50-4302	CL-5/8-11x2.00-SHCS	
	CL-MF50-3701	1.0000	2								CL-MF50-4303	CL-5/8-11x2.00-SHCS
	CL-MF50-3702	1.2500	2-1/4									
	CL-MF50-3703	1.5000	2-1/2									
	CL-MF50-3704	2.0000	3							CL-MF50-4303	CL-5/8-11x2.00-SHCS	
	CL-MF50-3705	2.5000	3-1/2									
	CL-MF50-3706	3.0000	4-1/2									
	CL-MF50-3707	4.0000	5-1/2									
CL-MF50-3708	5.0000	6-1/2										



Single



Double

DOUBLE

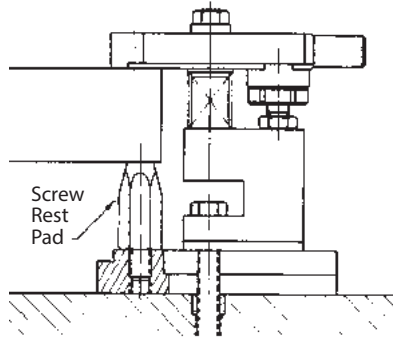
SIZE	PART NO.	A	B	C	D	E	G	LOCATING SCREWS (2 REQD)	
MINI	CL-MF25-3800	.5000	1	5/16-18	1.0000	1-3/4	.5000	CL-MF25-4300+ CL-5/16-18x1.50-SHCS	
	CL-MF25-3801	.7500	1-1/4						
	CL-MF25-3802	1.0000	1-1/2						
	CL-MF25-3803	1.2500	2						
STANDARD	CL-MF40-3801	.7500	1-3/4	1/2-13	2.0000	3-3/8	.7500	CL-MF40-4302	
	CL-MF40-3802	1.0000	2						CL-MF40-4303
	CL-MF40-3803	1.2500	2-1/4						
	CL-MF40-3804	1.5000	2-1/2						
	CL-MF40-3805	2.0000	3					CL-MF40-4303	CL-1/2-13x2.25-SHCS
	CL-MF40-3806	2.5000	3-1/2						
	CL-MF40-3807	3.0000	4-1/2						
	CL-MF40-3808	4.0000	5-1/2						
CL-MF40-3809	5.0000	6-1/2							
HEAVY	CL-MF50-3801	1.0000	2	5/8-11	2.0000	3-3/8	.7500	CL-MF50-4302	
	CL-MF50-3802	1.2500	2-1/4						CL-MF50-4303
	CL-MF50-3803	1.5000	2-1/2						
	CL-MF50-3804	2.0000	3						
	CL-MF50-3805	2.5000	3-1/2					CL-MF50-4303	CL-5/8-11x2.00-SHCS
	CL-MF50-3806	3.0000	4-1/2						
	CL-MF50-3807	4.0000	5-1/2						
	CL-MF50-3808	5.0000	6-1/2						

SCREW REST PADS

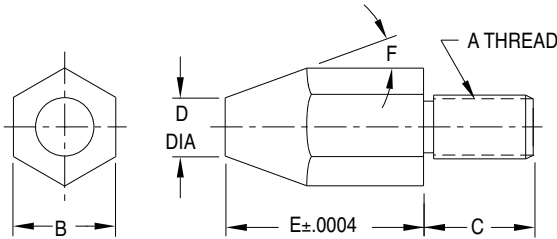
12L14 STEEL, CARBURIZED-HARDENED, BLACK OXIDE FINISH



**Mini
Standard
Heavy**



Precision height locator with a small contact area. Available in a wide range of heights, including very short sizes. This support can be installed in either a plain tapped hole or a multipurpose hole. **INFO+**: For metric sizes, see page 204.



SIZE	PART NO.	A	B	C	D DIA	E	F
MINI	CL-MF25-4801	5/16-18	3/4	5/8	5/16	.2500	75°
	CL-MF25-4802					.3750	60°
	CL-MF25-4803					.5000	35°
	CL-MF25-4804					.7500	25°
	CL-MF25-4805					1.0000	20°
	CL-MF25-4806					1.2500	15°
	CL-MF25-4807					1.5000	
STANDARD	CL-MF40-4801	1/2-13	7/8	15/16	1/2	.2500	75°
	CL-MF40-4802					.3750	60°
	CL-MF40-4803					.5000	35°
	CL-MF40-4804					.7500	25°
	CL-MF40-4805					1.0000	20°
	CL-MF40-4806					1.2500	
	CL-MF40-4807					1.5000	15°
	CL-MF40-4808					2.0000	
HEAVY	CL-MF50-4801	5/8-11	1	1-1/4	5/8	.2500	75°
	CL-MF50-4802					.3750	60°
	CL-MF50-4803					.5000	35°
	CL-MF50-4804					.7500	25°
	CL-MF50-4805					1.0000	20°
	CL-MF50-4806					1.2500	
	CL-MF50-4807					1.5000	15°
	CL-MF50-4808					2.0000	

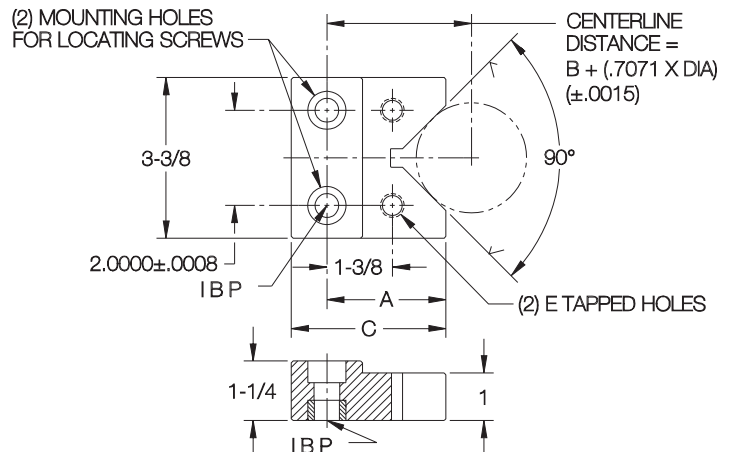
VERTICAL V BLOCKS

1045 STEEL, HEAT TREATED, BLACK OXIDE FINISH



**Standard
Heavy**

Ideal for mounting a cylindrical workpiece with its axis perpendicular to the tooling surface. Locating surfaces are precision ground and accurately qualified with respect to the mounting holes.



SIZE	PART NO.	WORKPIECE DIAMETER RANGE	A	B	C	E	LOCATING SCREWS (2 REQD)
STANDARD	CL-MF40-6101	9/16 to 3-1/8	2-1/2	1.3951	3-1/4	1/2-13	CL-MF40-4302
HEAVY	CL-MF50-6101	9/16 to 3-1/8	2-1/2	1.3951	3-1/4	5/8-11	CL-MF50-4302

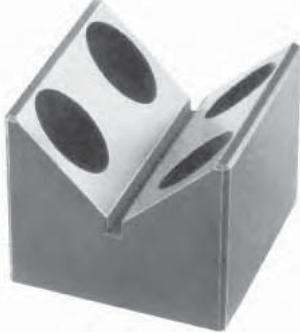
HORIZONTAL V BLOCKS

1045 STEEL, HEAT TREATED, BLACK OXIDE FINISH

Small V

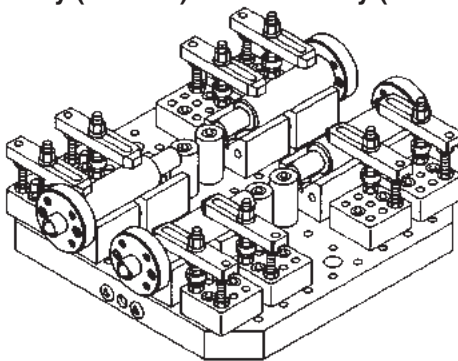


Large V

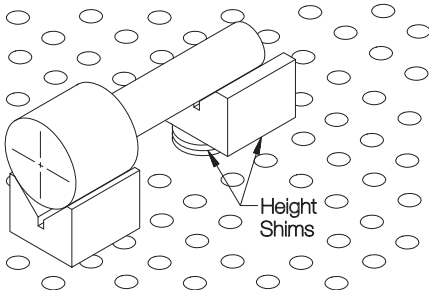


**Mini (2 Holes)
Standard (2 Holes)
Heavy (2 Holes)**

**Mini (4 Holes)
Standard (2 Holes)
Heavy (2 Holes)**

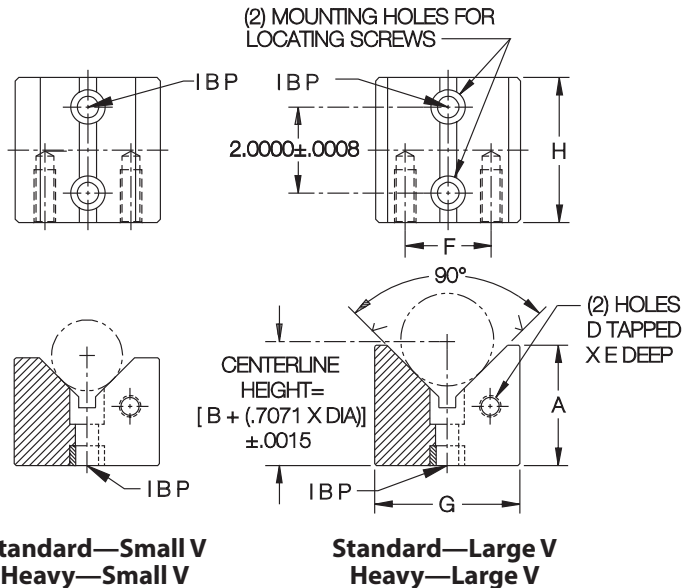
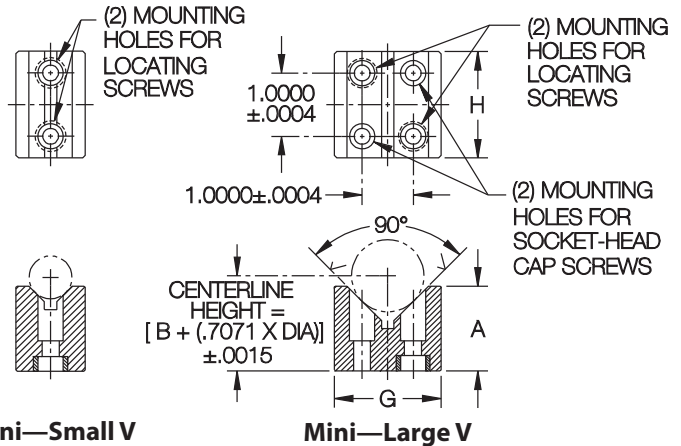


In the above example, Support Cylinders are used as end stops for shafts located in Horizontal V Blocks.



To locate a workpiece from two different diameters simultaneously, use Height Shims (INFO+ page 419) and/or Multipurpose Riser Blocks (INFO+ page 416) to raise one V block to the proper level.

Extremely versatile locator for cylindrical workpieces. Locating surface is precision ground and accurately qualified with respect to the mounting holes. Two tapped holes in the side (standard and heavy sizes only) can be used to mount end stops or clamps. Available in two types: one for small diameters, and one for larger diameters.



SMALL V

SIZE	PART NO.	WORKPIECE DIAMETER RANGE	A	B	D	E	F	G	H	LOCATING SCREWS (2 REQD)	SOCKET-HEAD CAP SCREWS (0 OR 2 REQD)
MINI	CL-MF25-6001	3/8 to 1	1-1/4	.8750	—	—	—	1	1-3/4	CL-MF25-4300 + CL-5/16-18x1.38-SHCS	—
STANDARD	CL-MF40-6001	9/16 to 3-1/8	2-1/2	1.3951	1/2-13	1-1/8	2	3-3/8	3-3/8	CL-MF40-4302	—
HEAVY	CL-MF50-6001	9/16 to 3-1/8	2-1/2	1.3951	5/8-11	1-3/8	2	3-3/8	3-3/8	CL-MF50-4302	—

LARGE V

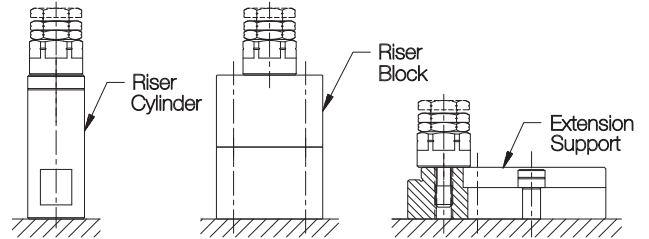
MINI	CL-MF25-6002	9/16 to 2	1-1/2	.7500	—	—	—	1-3/4	1-3/4	CL-MF25-4300 + CL-5/16-18x1.38-SHCS	CL-5/16-18x1.38-SHCS
STANDARD	CL-MF40-6002	9/16 to 4	3	1.5858	1/2-13	1-1/8	2	3-3/8	3-3/8	CL-MF40-4302	—
HEAVY	CL-MF50-6002	9/16 to 4	3	1.5858	5/8-11	1-3/8	2	3-3/8	3-3/8	CL-MF50-4302	—

HEAVY-DUTY SCREW JACKS

JACK SCREW: 4135 STEEL, HEAT TREATED, BLACK OXIDE FINISH
 TIP: 1144 OR 1045 STEEL, HEAT TREATED, BLACK OXIDE FINISH
 BODY: 1045 STEEL, BLACK OXIDE FINISH



Standard Heavy

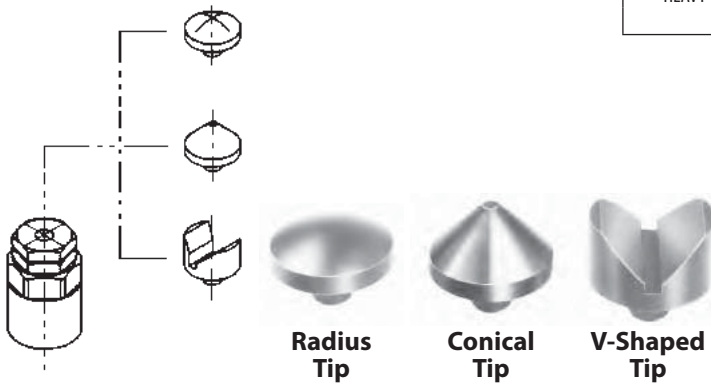


For additional height and/or mounting between grid points, use Riser Cylinders (**INFO+** page 419), Support Riser Blocks (**INFO+** page 416), or Extension Supports (**INFO+** page 417).

SCREW JACKS

SIZE	PART NO.	MOUNTING SCREW SIZE	OUTSIDE DIAMETER	RETRACTED HEIGHT	MAX SCREW TRAVEL
STANDARD	CL-MF40-3401	1/2-13	1-9/16	1-5/8	3/8
	CL-MF40-3402			2	3/4
	CL-MF40-3403			2-3/4	1-1/2
HEAVY	CL-MF50-3401	5/8-11	1-9/16	1-5/8	3/8
	CL-MF50-3402			2	3/4
	CL-MF50-3403			2-3/4	1-1/2

Heavy-duty adjustable support that accepts any of the three tips shown below. Choice of three heights in each size cover the full range of height possibilities. **INFO+**: See page 211 for additional dimensions and additional sizes.



SCREW-JACK TIPS

SIZE	PART NO.	TYPE	OUTSIDE DIAMETER	OVERALL TIP HEIGHT
ALL	CL-MF10-3501	RADIUS	1-3/16	3/8
	CL-MF10-3502	CONICAL		11/16
	CL-MF10-3503	V-SHAPED		11/16

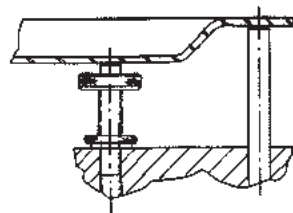
10

KNURLED SCREW JACKS

12L14 STEEL, CARBURIZED-HARDENED, BLACK OXIDE FINISH



Mini Standard Heavy



Knurled head allows quick, easy finger adjustment. Order Check Nut separately. **INFO+**: See page 282 for additional dimensions and sizes.

SIZE	KNURLED SCREW JACK PART NO.	CHECK NUT PART NO.	THREAD SIZE	LENGTH UNDER HEAD
MINI	CL-0-KSJ	CL-51618-TSJN	5/16-18	1-5/8
STANDARD	CL-7-KSJ	CL-1213-TSJN	1/2-13	2-1/2
HEAVY	CL-10-KSJ	CL-5811-TSJN	5/8-11	2-1/2

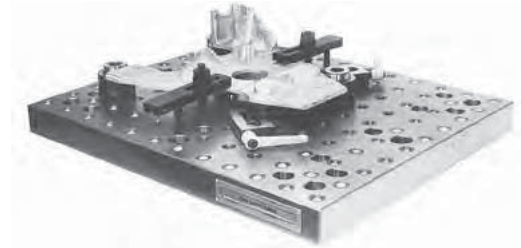
MANUAL WORK SUPPORTS

BODY & PLUNGER: CARBON STEEL, CASE HARDENED, BLACK OXIDE FINISH
HANDLE: ZINC DIE CASTING, ENAMEL PAINT

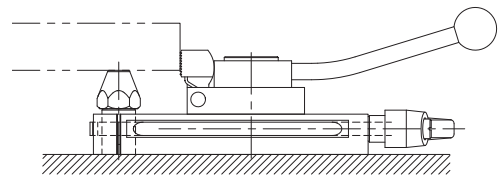


**Mini
Standard
Heavy**

Spring-extended manual work support with an extremely low profile. Plunger is locked at proper height by tightening handle. If desired, lock plunger in retracted position for easier loading of light parts, then release and retighten to extend and support. Adjustable handle can be reset to any convenient angle. **INFO+**: See page 209 for complete dimensions.



Ideal for supporting in hard-to-reach places, such as underneath this casting. Work supports can be positioned to allow convenient handle access.



A Screw Rest Pad (**INFO+** page 423), available from 1/4" to 2" tall, is an ideal contact bolt to use in the support plunger. For an adjustable contact screw, use a Knurled Screw Jack (**INFO+** page 425). The mounting slot allows stacking other components, such as this Cam Edge Clamp, on top of the support.

SIZE	PART NO.	TAPPED HOLE IN PLUNGER	HEIGHT WITH PLUNGER FULLY RETRACTED	MAX PLUNGER STROKE	DISTANCE FROM PLUNGER TO SLOT	SLOT LENGTH	SOCKET-HEAD CAP SCREW (1 REQ.)
MINI	CL-MF25-5701	5/16-18	.709	.118	1-1/16	1-3/8	CL-5/16-18x1.12-SHCS
STANDARD	CL-MF40-5701	1/2-13	.945	.236	1-9/16	3-9/16	CL-1/2-13x1.50-SHCS
HEAVY	CL-MF50-5701	5/8-11	1.339	.433	1-3/4	3-15/16	CL-5/8-11x2.00-SHCS

10

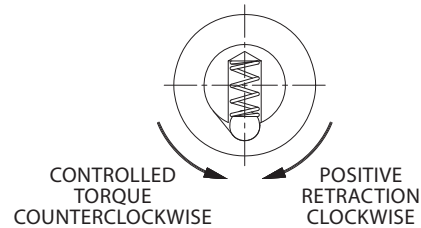
TORQUE SCREW JACKS

12L14 STEEL, BLACK OXIDE FINISH



**Mini
Standard
Heavy**

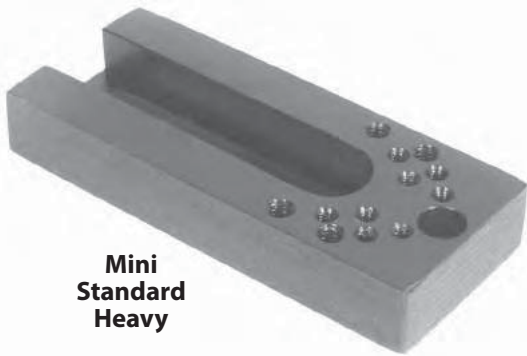
A knurled-head screw jack that declutches at a preset torque. When the indicated end force is reached, the head disengages and turns freely. This eliminates the possibility of exerting excess force on thinwall parts. Knurled Check Nut is furnished. **INFO+**: See page 282 for complete dimensions and additional sizes.



SIZE	PART NO.	THREAD SIZE	END FORCE (LBS)	LENGTH UNDER HEAD
MINI	CL-4A-TSJ	5/16-18	14-16	1-3/4
STANDARD	CL-6-TSJ	1/2-13	18-20	1-3/4
HEAVY	CL-8-TSJ	5/8-11	20-22	1-3/4

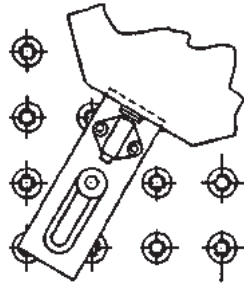
SPRING-STOP-BUTTON ADAPTORS

CARBON STEEL, HEAT TREATED, BLACK OXIDE FINISH
PATENT NO. 4,832,325

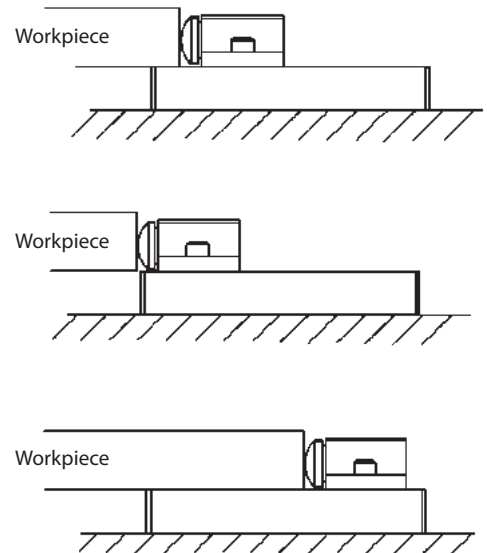


**Mini
Standard
Heavy**

Versatile adaptor for standard Spring Stop Buttons and Spring Locating Pins. Applies spring pressure to the workpiece to hold it against its locators. Fits three sizes of Spring Stop Buttons (one in mini size), both round and flat face, and two sizes of Spring Locating Pins.



MOUNTING OPTIONS



- The adaptor can be used three ways:
1. As a height-locating point. Use rear mounting holes.
 2. Without height locating. Use front mounting holes.
 3. Reverse mounting. Use as a height-locating point with most of adaptor under workpiece.



**Round-Face
Spring Stop Buttons**



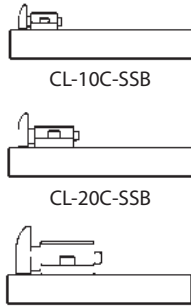
**Flat-Face
Spring Stop Buttons**



**Spring
Locating Pins**



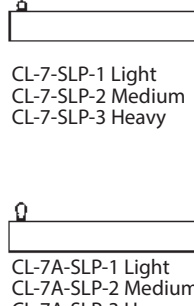
CL-30A-SSB



CL-10C-SSB

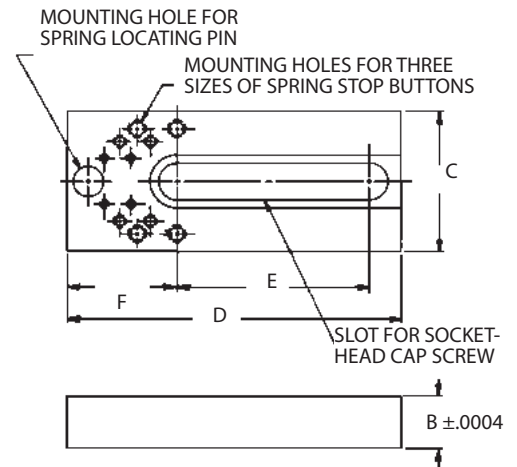
CL-20C-SSB

CL-30C-SSB



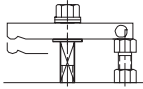
CL-7-SLP-1 Light
CL-7-SLP-2 Medium
CL-7-SLP-3 Heavy

CL-7A-SLP-1 Light
CL-7A-SLP-2 Medium
CL-7A-SLP-3 Heavy

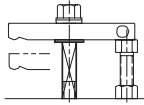


SIZE	PART NO.	FITS ROUND FACE STOP BUTTONS	FITS FLAT FACE STOP BUTTONS	FITS SPRING LOCATING PINS	B	C	D	E	F	SOCKET-HEAD CAP SCREW (1 REQD)	SOCKET-HEAD CAP SCREWS FOR SPRING STOP BUTTONS (2 REQD)		
											SMALL	MEDIUM	LARGE
MINI	CL-MF25-3901	CL-10A-SSB	CL-10C-SSB		.5000	1	3	1-7/16	1-5/16	CL-5/16-18x1.00-SHCS	CL-6-32x.50-SHCS	—	—
STANDARD	CL-MF40-3901	CL-10A-SSB	CL-10C-SSB	CL-7-SLP-1	.7500	2	4-3/4	2-3/4	1-9/16	CL-1/2-13x1.25-SHCS	CL-6-32x.50-SHCS	CL-10-32x.50-SHCS	CL-1/4-20x.75-SHCS
	CL-MF40-3902	CL-20A-SSB	CL-20C-SSB	CL-7-SLP-2	1.0000					CL-1/2-13x1.50-SHCS			
	CL-MF40-3903	CL-30A-SSB	CL-30C-SSB	CL-7-SLP-3	1.2500					CL-1/2-13x1.75-SHCS			
	CL-MF40-3904			CL-7A-SLP-1	1.5000					CL-1/2-13x2.00-SHCS			
HEAVY	CL-MF50-3901	CL-10A-SSB	CL-10C-SSB	CL-7A-SLP-2	.7500	2	4-3/4	2-3/4	1-9/16	CL-5/8-11x1.50-SHCS	CL-6-32x.50-SHCS	CL-10-32x.50-SHCS	CL-1/4-20x.75-SHCS
	CL-MF50-3902	CL-20A-SSB	CL-20C-SSB	CL-7A-SLP-3	1.0000					CL-5/8-11x2.00-SHCS			
	CL-MF50-3903	CL-30A-SSB	CL-30C-SSB		1.2500					CL-5/8-11x2.25-SHCS			
	CL-MF50-3904				1.5000								

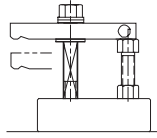
SLOTTED-HEEL CLAMP STRAPS



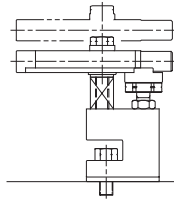
Short Clamp-Strap Assembly (see below)



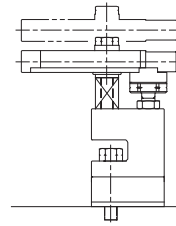
Tall Clamp-Strap Assembly (see below)



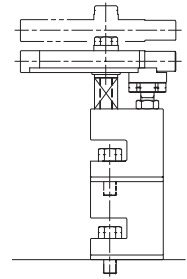
Tall Clamp-Strap Assembly - **INFO+** on Riser Block (p. 416) or Riser Cylinders (p. 419)



High-Rise Clamp (**INFO+**: p. 430)



High-Rise Clamp on Spacer Block (**INFO+**: p. 432)

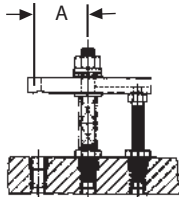


High-Rise Clamp on Narrow Riser Block (**INFO+**: p. 432)

Our most-popular clamp strap, with a slot underneath to allow sliding it straight back for clear loading. Choose from three different fastening devices, each available in a short or tall version, and two clamp-strap lengths. Order components individually (page numbers listed are in the tooling-component catalog section).



Spherical Nut & Washer



Mini
Standard
Heavy

SPHERICAL NUT & WASHER (SHORT)

SIZE	CLAMPING HEIGHT RANGE	CLAMP STRAP (INFO+ : p. 237)			CLAMP REST (p. 299)	CLAMP SPRINGS (p. 300)	FLAT WASHER (p. 286)	JAM NUT (p. 283)	STUD (p. 289)	SPHER. NUT & WASHER (p. 285)
		PART NO.	LENGTH	A						
MINI	0 to 1-1/16	CL-1A-CS	2-1/2	27/32	CL-1A-CR	CL-6-SPG	CL-14-FW	CL-5-JN	CL-5/16-18x3.00	CL-9-SNW
		CL-1B-CS	3	1-11/32						
STANDARD	0 to 1-3/8	CL-8-CS	5	2-1/4	CL-4-CR	CL-9-SPG	CL-2-FW	CL-8-JN	CL-1/2-13x4.00	CL-3-SNW
		CL-10-CS	6	2-3/4						
HEAVY	0 to 1-3/8	CL-16-CS	5	2-3/16	CL-6-CR	CL-11-SPG	CL-3-FW	CL-10-JN	CL-5/8-11x4.50	CL-4-SNW
		CL-18-CS	6	2-11/16						

SPHERICAL NUT & WASHER (TALL)

SIZE	CLAMPING HEIGHT RANGE	CLAMP STRAP (INFO+ : p. 237)			CLAMP REST (p. 299)	CLAMP SPRINGS (p. 300)	FLAT WASHER (p. 286)	JAM NUT (p. 283)	STUD (p. 289)	HAND KNOB (p. 90)	SPHERICAL WASHER (p. 285)
		PART NO.	LENGTH	A							
MINI	1 to 1-3/4	CL-1A-CS	2-1/2	27/32	CL-1B-CR	(2) CL-6-SPG	CL-14-FW	CL-5-JN	CL-5/16-18x3.50	CL-9-SNW	
		CL-1B-CS	3	1-11/32							
STANDARD	1-3/8 to 2-3/4	CL-8-CS	5	2-1/4	CL-5-CR	(2) CL-9-SPG	CL-2-FW	CL-8-JN	CL-1/2-13x5.50	CL-3-SNW	
		CL-10-CS	6	2-3/4							
HEAVY	1-3/8 to 2-1/2	CL-16-CS	5	2-3/16	CL-7-CR	(2) CL-11-SPG	CL-3-FW	CL-10-JN	CL-5/8-11x5.50	CL-4-SNW	
		CL-18-CS	6	2-11/16							

HAND KNOB (SHORT)

SIZE	CLAMPING HEIGHT RANGE	CLAMP STRAP (INFO+ : p. 237)			CLAMP REST (p. 299)	CLAMP SPRINGS (p. 300)	FLAT WASHER (p. 286)	JAM NUT (p. 283)	STUD (p. 289)	HAND KNOB (p. 90)	SPHERICAL WASHER (p. 285)
		PART NO.	LENGTH	A							
MINI	0 to 1-1/16	CL-1A-CS	2-1/2	27/32	CL-1A-CR	CL-6-SPG	CL-14-FW	CL-5-JN	CL-5/16-18x3.00	CL-2-HK-2	CL-11-SW
		CL-1B-CS	3	1-11/32							
STANDARD	0 to 1-3/8	CL-8-CS	5	2-1/4	CL-4-CR	CL-9-SPG	CL-2-FW	CL-8-JN	CL-1/2-13x4.00	CL-4-HK-4	CL-3-SW
		CL-10-CS	6	2-3/4							
HEAVY	0 to 1-3/8	CL-16-CS	5	2-3/16	CL-6-CR	CL-11-SPG	CL-3-FW	CL-10-JN	CL-5/8-11x4.50	CL-10-HK-10	CL-4-SW
		CL-18-CS	6	2-11/16							

HAND KNOB (TALL)

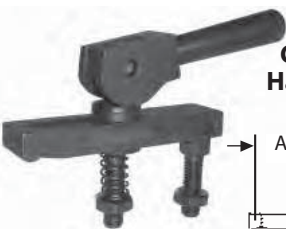
SIZE	CLAMPING HEIGHT RANGE	CLAMP STRAP (INFO+ : p. 237)			CLAMP REST (p. 299)	CLAMP SPRINGS (p. 300)	FLAT WASHER (p. 286)	JAM NUT (p. 283)	STUD (p. 289)	HAND KNOB (p. 90)	SPHERICAL WASHER (p. 285)
		PART NO.	LENGTH	A							
MINI	1 to 1-3/4	CL-1A-CS	2-1/2	27/32	CL-1B-CR	(2) CL-6-SPG	CL-14-FW	CL-5-JN	CL-5/16-18x3.50	CL-2-HK-2	CL-11-SW
		CL-1B-CS	3	1-11/32							
STANDARD	1-3/8 to 2-3/4	CL-8-CS	5	2-1/4	CL-5-CR	(2) CL-9-SPG	CL-2-FW	CL-8-JN	CL-1/2-13x5.50	CL-4-HK-4	CL-3-SW
		CL-10-CS	6	2-3/4							
HEAVY	1-3/8 to 2-1/2	CL-16-CS	5	2-3/16	CL-7-CR	(2) CL-11-SPG	CL-3-FW	CL-10-JN	CL-5/8-11x5.50	CL-10-HK-10	CL-4-SW
		CL-18-CS	6	2-11/16							

CAM HANDLE (SHORT)

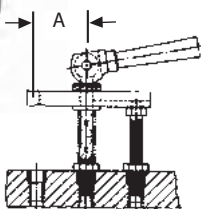
SIZE	CLAMPING HEIGHT RANGE	CLAMP STRAP (INFO+ : p. 237)			CLAMP REST (p. 299)	CLAMP SPRINGS (p. 300)	FLAT WASHER (p. 286)	JAM NUT (p. 283)	SPHERICAL WASHER (p. 285)	CAM HANDLE (p. 298)	EYE BOLT (p. 296)	CLEVIS PIN (p. 298)
		PART NO.	LENGTH	A								
MINI	0 to 1-1/16	CL-1A-CS	2-1/2	27/32	CL-1A-CR	CL-6-SPG	CL-14-FW	CL-5-JN	CL-11-SW	CL-11A-CH	CL-31-EB	CL-810-CLVP
		CL-1B-CS	3	1-11/32								
STANDARD	0 to 1-3/8	CL-8-CS	5	2-1/4	CL-4-CR	CL-9-SPG	CL-2-FW	CL-8-JN	CL-3-SW	CL-13-CH	CL-50-EB	CL-1218-CLVP
		CL-10-CS	6	2-3/4								
HEAVY	0 to 1-3/8	CL-16-CS	5	2-3/16	CL-6-CR	CL-11-SPG	CL-3-FW	CL-10-JN	CL-4-SW	CL-14-CH	CL-62-EB	CL-2020-CLVP
		CL-18-CS	6	2-11/16								

CAM HANDLE (TALL)

SIZE	CLAMPING HEIGHT RANGE	CLAMP STRAP (INFO+ : p. 237)			CLAMP REST (p. 299)	CLAMP SPRINGS (p. 300)	FLAT WASHER (p. 286)	JAM NUT (p. 283)	SPHERICAL WASHER (p. 285)	CAM HANDLE (p. 298)	EYE BOLT (p. 296)	CLEVIS PIN (p. 298)
		PART NO.	LENGTH	A								
MINI	1 to 1-3/4	CL-1A-CS	2-1/2	27/32	CL-1B-CR	(2) CL-6-SPG	CL-14-FW	CL-5-JN	CL-11-SW	CL-11A-CH	CL-32-EB	CL-810-CLVP
		CL-1B-CS	3	1-11/32								
STANDARD	1-3/8 to 2-3/4	CL-8-CS	5	2-1/4	CL-5-CR	(2) CL-9-SPG	CL-2-FW	CL-8-JN	CL-3-SW	CL-13-CH	CL-51-EB	CL-1218-CLVP
		CL-10-CS	6	2-3/4								
HEAVY	1-3/8 to 2-1/2	CL-16-CS	5	2-3/16	CL-7-CR	(2) CL-11-SPG	CL-3-FW	CL-10-JN	CL-4-SW	CL-14-CH	CL-63-EB	CL-2020-CLVP
		CL-18-CS	6	2-11/16								



Cam Handle



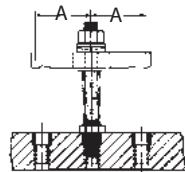
Mini
Standard
Heavy

DOUBLE-END CLAMP STRAPS

A clamp-strap assembly with two clamping ends, for holding two workpieces simultaneously. Choose from three different fastening devices, each available in a short or tall version, and two clamp-strap lengths. Order components individually.



Spherical Nut & Washer



Mini
Standard
Heavy

SPHERICAL NUT & WASHER (SHORT)

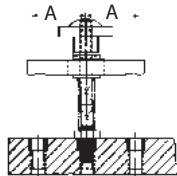
SIZE	CLAMPING-HEIGHT RANGE	CLAMP STRAP (INFO++: p. 252)			CLAMP SPRINGS (p. 300)	FLAT WASHER (p. 286)	JAM NUT (p. 283)	STUD (p. 289)	SPHERICAL NUT & WASHER (p. 285)
		PART NO.	LENGTH	A					
MINI	0 to 1-1/16	CL-23C-CS	2	27/32	CL-6-SPG	CL-14-FW	CL-5-JN	CL-5/16-18x3.00	CL-9-SNW
		CL-23D-CS	3	1-11/32					
STANDARD	0 to 1-3/8	CL-28-CS	5	2-19/64	CL-9-SPG	CL-2-FW	CL-8-JN	CL-1/2-13x4.00	CL-3-SNW
		CL-30-CS	6	2-51/64					
HEAVY	0 to 1-3/8	CL-32A-CS	5	2-1/4	CL-11-SPG	CL-3-FW	CL-10-JN	CL-5/8-11x4.50	CL-4-SNW
		CL-33-CS	6	2-3/4					

SPHERICAL NUT & WASHER (TALL)

MINI	1 to 1-3/4	CL-23C-CS	2	27/32	(2) CL-6-SPG	CL-14-FW	CL-5-JN	CL-5/16-18x3.50	CL-9-SNW
		CL-23D-CS	3	1-11/32					
STANDARD	1-3/8 to 2-3/4	CL-28-CS	5	2-19/64	(2) CL-9-SPG	CL-2-FW	CL-8-JN	CL-1/2-13x5.50	CL-3-SNW
		CL-30-CS	6	2-51/64					
HEAVY	1-3/8 to 2-1/2	CL-32A-CS	5	2-1/4	(2) CL-11-SPG	CL-3-FW	CL-10-JN	CL-5/8-11x5.50	CL-4-SNW
		CL-33-CS	6	2-3/4					



Hand Knob



Mini
Standard
Heavy

HAND KNOB (SHORT)

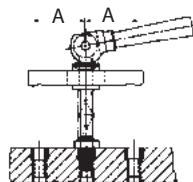
SIZE	CLAMPING-HEIGHT RANGE	CLAMP STRAP (INFO++: p. 252)			CLAMP SPRINGS (p. 300)	FLAT WASHER (p. 286)	JAM NUT (p. 283)	STUD (p. 289)	HAND KNOB (p. 90)	SPHERICAL NUT & WASHER (p. 285)
		PART NO.	LENGTH	A						
MINI	0 to 1-1/16	CL-23C-CS	2	27/32	CL-6-SPG	CL-14-FW	CL-5-JN	CL-5/16-18x3.00	CL-2-HK-2	CL-11-SW
		CL-23D-CS	3	1-11/32						
STANDARD	0 to 1-3/8	CL-28-CS	5	2-19/64	CL-9-SPG	CL-2-FW	CL-8-JN	CL-1/2-13x4.00	CL-4-HK-4	CL-3-SW
		CL-30-CS	6	2-51/64						
HEAVY	0 to 1-3/8	CL-32A-CS	5	2-1/4	CL-11-SPG	CL-3-FW	CL-10-JN	CL-5/8-11x4.50	CL-10-HK-10	CL-4-SW
		CL-33-CS	6	2-3/4						

HAND KNOB (TALL)

MINI	1 to 1-3/4	CL-23C-CS	2	27/32	(2) CL-6-SPG	CL-14-FW	CL-5-JN	CL-5/16-18x3.50	CL-2-HK-2	CL-11-SW
		CL-23D-CS	3	1-11/32						
STANDARD	1-3/8 to 2-3/4	CL-28-CS	5	2-19/64	(2) CL-9-SPG	CL-2-FW	CL-8-JN	CL-1/2-13x5.50	CL-4-HK-4	CL-3-SW
		CL-30-CS	6	2-51/64						
HEAVY	1-3/8 to 2-1/2	CL-32A-CS	5	2-1/4	(2) CL-11-SPG	CL-3-FW	CL-10-JN	CL-5/8-11x5.50	CL-10-HK-10	CL-4-SW
		CL-33-CS	6	2-3/4						



Cam Handle



Mini
Standard
Heavy

CAM HANDLE (SHORT)

SIZE	CLAMPING-HEIGHT RANGE	CLAMP STRAP (INFO++: p. 252)			CLAMP SPRINGS (p. 300)	FLAT WASHER (p. 286)	JAM NUT (p. 283)	SPHERICAL NUT & WASHER (p. 285)	CAM HANDLE (p. 298)	EYE BOLT (p. 296)	DOWEL PIN (p. 223)
		PART NO.	LENGTH	A							
MINI	0 to 1-1/16	CL-23C-CS	2	27/32	CL-6-SPG	CL-14-FW	CL-5-JN	CL-11-SW	CL-11A-CH	CL-31-EB	CL-1/4x.62-CADP
		CL-23D-CS	3	1-11/32							
STANDARD	0 to 1-3/8	CL-28-CS	5	2-19/64	CL-9-SPG	CL-2-FW	CL-8-JN	CL-3-SW	CL-13-CH	CL-50-EB	CL-3/8x1.00-CADP
		CL-30-CS	6	2-51/64							
HEAVY	0 to 1-3/8	CL-32A-CS	5	2-1/4	CL-11-SPG	CL-3-FW	CL-10-JN	CL-4-SW	CL-14-CH	CL-62-EB	CL-5/8x1.25-CADP
		CL-33-CS	6	2-3/4							

SPHERICAL NUT & WASHER (TALL)

MINI	1 to 1-3/4	CL-23C-CS	2	27/32	(2) CL-6-SPG	CL-14-FW	CL-5-JN	CL-11-SW	CL-11A-CH	CL-32-EB	CL-1/4x.62-CADP
		CL-23D-CS	3	1-11/32							
STANDARD	1-3/8 to 2-3/4	CL-28-CS	5	2-19/64	(2) CL-9-SPG	CL-2-FW	CL-8-JN	CL-3-SW	CL-13-CH	CL-51-EB	CL-3/8x1.00-CADP
		CL-30-CS	6	2-51/64							
HEAVY	1-3/8 to 2-1/2	CL-32A-CS	5	2-1/4	(2) CL-11-SPG	CL-3-FW	CL-10-JN	CL-4-SW	CL-14-CH	CL-63-EB	CL-5/8x1.25-CADP
		CL-33-CS	6	2-3/4							

HIGH-RISE CLAMPS

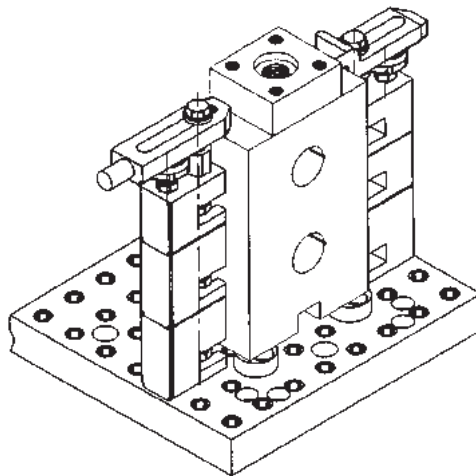
BLACK PHENOLIC PLASTIC OR THERMOPLASTIC WITH BRASS INSERT



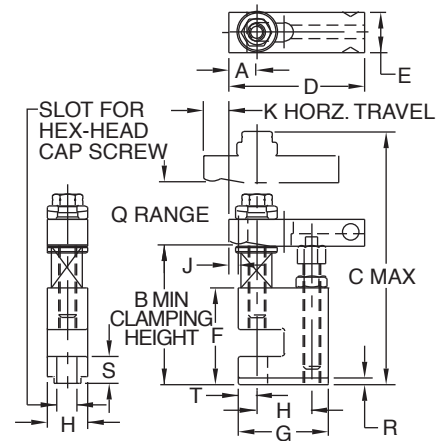
Mini
Standard
Heavy

Slotted
Heel

For clamping taller workpieces. All-in-one clamp construction for quick, safe setups. Modular design allows stacking for height flexibility. Clamp Straps slide back for loading clearance. Tapped-Nose and Gooseneck Clamp Straps can be reversed to use either end for clamping. The tapped-nose end accepts a contact bolt, while the cylindrical end is ideal for clamping in horizontal holes or narrow slots. The gooseneck strap provides a low clamp profile, and can also be reversed to use the plain end as a tapered-nose clamp.



High-Rise Clamps can be stacked on Narrow Riser Blocks and Spacer Blocks (INFO+ page 432) to reach tall workpieces.



SLOTTED HEEL HIGH-RISE CLAMPS

SIZE	PART NO.	A	B	C	D	E	F	G	H	J	K	Q	R	S	T	HEX-HEAD CAP SCREW (1 REQD)
MINI	CL-MF25-2051	1/2	1-7/8	3-3/8	2-1/2	3/4	1-7/16	1-5/8	1	5/32	1/2	1/2	3/32	3/8	1/2	CL-MF25-4312*
	3				1											
STANDARD	CL-MF40-2051	23/32	3-5/8	5-3/4	4	1-1/4	2-3/4	2-3/4	1-9/16	13/64	1-9/32	1	3/16	13/16	9/16	CL-MF40-4311
HEAVY	CL-MF50-2051	29/32		7-1/4	5	1-1/2	2-15/16	3-9/16	2	1/4	1-19/32					

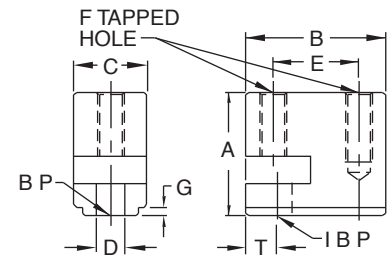
* Use CL-MF25-4311 when mounted on a Narrow Riser Block.



Mini
Standard
Heavy

Adaptor
Base

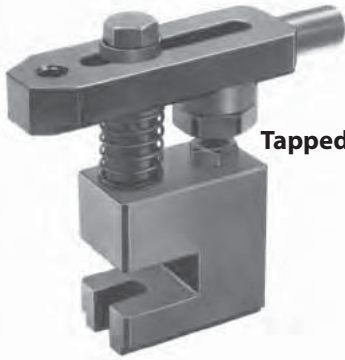
Adaptor used in the assembly above. Also allows using other types of clamp straps as high-rise clamps.



ADAPTOR BASES

SIZE	PART NO.	A	B	C	D	E	F	G	HEX-HEAD CAP SCREW (1 REQD)
MINI	CL-MF25-1902	1-7/16	1-5/8	1	11/32	1	5/16-18	3/32	CL-MF25-4312
STANDARD	CL-MF40-1901	2-3/4	2-3/4	1-9/16	9/16	1-9/16	1/2-13	3/16	CL-MF40-4311
HEAVY	CL-MF50-1901	2-15/16	3-9/16	2	11/16	2	5/8-11	3/16	CL-MF50-4311

HIGH-RISE CLAMPS



Tapped Nose

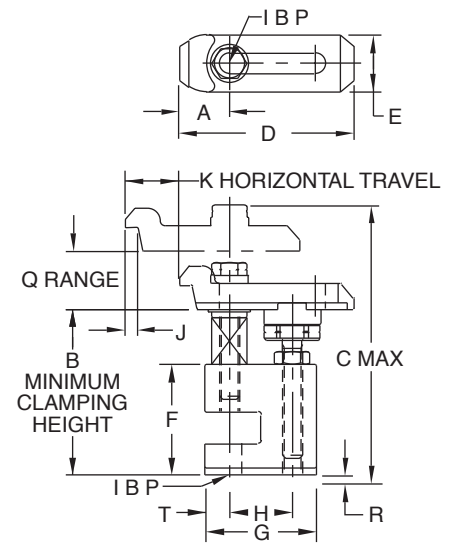
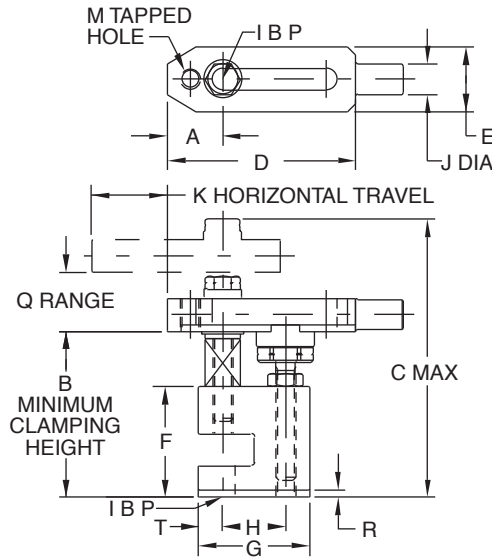
Mini
Standard
Heavy



Gooseneck

Standard
Heavy

Tapped-Nose and Gooseneck Clamp Straps can be reversed to use either end for clamping (except mini, which has no cylindrical end). The tapped-nose end accepts a contact bolt, while the cylindrical end is ideal for clamping in horizontal holes or narrow slots. The gooseneck strap provides a low clamp profile, and can also be reversed to use the plain end as a tapered-nose clamp.

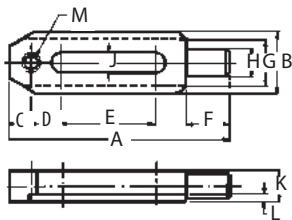


TAPPED-NOSE HIGH-RISE CLAMPS

SIZE	PART NO.	A	B	C	D	E	F	G	H	J	K	M	Q	R	S	T	HEX-HEAD CAP SCREW (1 REQ)
MINI	CL-MF25-2001	1	1-7/8	3-3/8	3-1/2	3/4	1-7/16	1-5/8	1	—	1	5/16-18	1/2	3/32	3/8	1/2	CL-MF25-4312
STANDARD	CL-MF40-2001	1-3/8	4-1/8	6-5/8	5-7/8	1-5/8	2-3/4	2-3/4	1-9/16	3/4	1-9/16	1/2-13	1-1/4	3/16	13/16	9/16	CL-MF40-4311
HEAVY	CL-MF50-2001	1-13/16	4-3/8	7-3/8	7-1/2	2	2-15/16	3-9/16	2	1	2	5/8-11	1-3/8	3/16	13/16	13/16	CL-MF50-4311

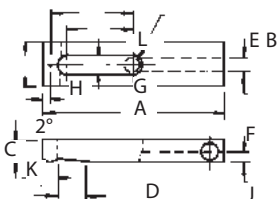
GOOSENECK HIGH-RISE CLAMPS

STANDARD	CL-MF40-2101	1-3/4	4-3/4	6-5/8	4-5/8	1-3/8	2-3/4	2-3/4	1-9/16	9/16	1-3/8	—	1-1/4	3/16	13/16	9/16	CL-MF40-4311
HEAVY	CL-MF50-2101	2-3/8	5-3/8	7-5/8	6-1/2	2	2-15/16	3-9/16	2	11/16	2	—	1-3/8	3/16	13/16	13/16	CL-MF50-4311



TAPPED-NOSE CLAMP STRAPS

SIZE	PART NO.	STUD SIZE	A	B	C	D	E	F	G	H DIA.	J	K	L	M
MINI	CL-MF25-2201	5/16-18	3-1/2	3/4	3/8	5/8	1	—	—	—	11/32	1/2	—	5/16-18
STANDARD	CL-MF40-2201	1/2-13	5-7/8	1-5/8	9/16	13/16	2-9/16	1-3/16	1-3/16	3/4	17/32	13/16	5/32	1/2-13
HEAVY	CL-MF50-2201	5/8-11	7-1/2	2	13/16	1	3-1/8	1-7/16	1-9/16	1	11/16	1-1/8	3/16	5/8-11



GOOSENECK CLAMP STRAPS

SIZE	PART NO.	STUD SIZE	A	B	C	D	E	F	G	H	J	K	L
STANDARD	CL-MF40-2201	1/2-13	4-5/16	1-7/16	1-1/16	4	1-3/16	5/8	2-1/8	1-9/16	5/32	19/32	17/32
HEAVY	CL-MF50-2201	5/8-11	6-5/16	2	2	5-11/16	1-9/16	1	2-3/4	2-3/16	3/16	1	11/16

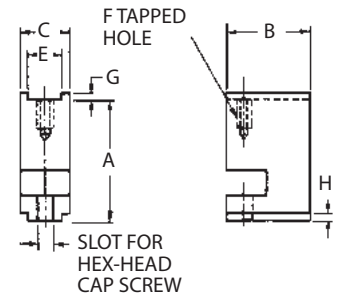
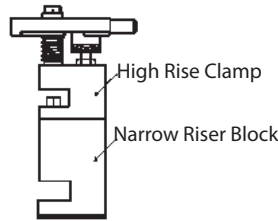
HIGH-RISE-CLAMP ACCESSORIES

CARBON STEEL, BLACK OXIDE FINISH



Narrow Riser Block

**Mini
Standard
Heavy**



These Narrow Riser Blocks are used to raise up High-Rise Clamps to reach tall workpieces. Interlocking channels ensure that clamps and risers remain properly aligned when stacked up. Clamps and risers are fastened to the tapped hole on top of the riser block.

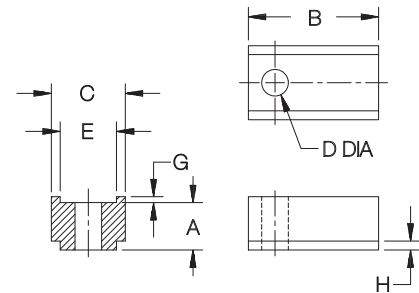
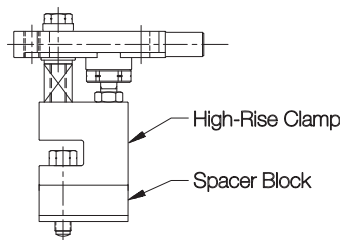
NARROW RISER BLOCKS

SIZE	PART NO.	A	B	C	E	F	G	H	HEX-HEAD CAP SCREW (1 REQD)
MINI	CL-MF25-2301	1	1-5/8	1	13/16	5/16-18	1/16	3/32	CL-MF25-4312
STANDARD	CL-MF40-2301	3	2-3/4	1-9/16	1-3/16	1/2-13	1/8	3/16	CL-MF40-4311
HEAVY	CL-MF50-2301	3	3-9/16	2	1-9/16	5/8-11	1/8	3/16	CL-MF50-4311



Spacer Block

**Mini
Standard
Heavy**



A shorter version of the Narrow Riser Block for raising height only slightly. These blocks also have interlocking channels and can be stacked. Note: A longer hex-head cap screw is required to mount the High-Rise Clamp when using a Spacer Block.

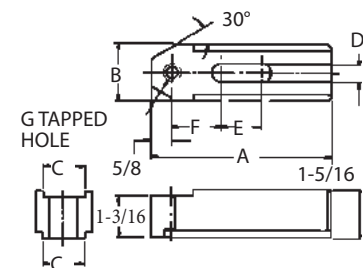
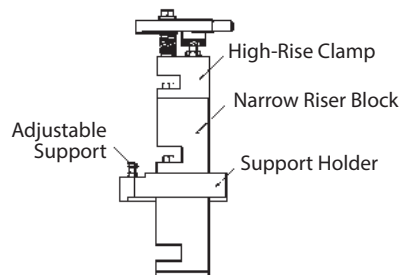
SPACER BLOCKS

SIZE	PART NO.	A	B	C	D DIA	E	G	H
MINI	CL-MF25-2351	1/2	1-5/8	1	11/32	13/16	1/16	3/32
STANDARD	CL-MF40-2351	1	2-3/4	1-9/16	17/32	1-3/16	1/8	3/16
HEAVY	CL-MF50-2351	1	3-9/16	2	11/16	1-9/16	1/8	3/16



Support Holder

**Standard
Heavy**



Support Holders allow using an adjustable support as part of a High-Rise-Clamp assembly. Slotted to allow positioning support anywhere within a range. **INFO+**: For precision height location, an Extension Support (page 417) can be used instead (always used on mini size). Note: The longest standard hex-head cap screw is required to mount High-Rise Clamps when using a Support Holder.

SUPPORT HOLDERS

SIZE	PART NO.	A	B	C	D	E	F	G
STANDARD	CL-MF40-2401	5-1/8	1-9/16	1-3/16	17/32	1-3/16	1-3/16	1/2-13
HEAVY	CL-MF50-2401	6-3/8	2	1-9/16	11/16	1-9/16	1-3/8	5/8-11

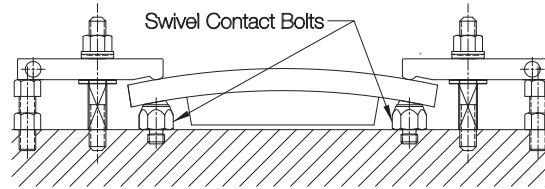
SWIVEL CONTACT BOLTS

BALL: CHROME STEEL, HEAT TREATED RC 60-67
 BODY: 1144 STEEL, HEAT TREATED RC 35-40, BLACK OXIDE FINISH

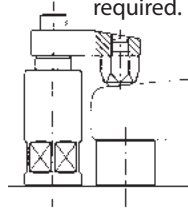
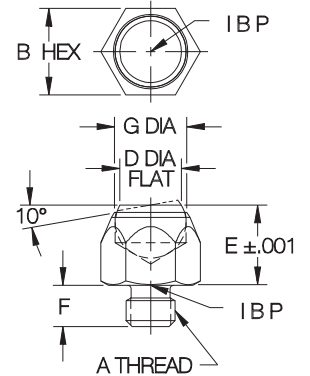


**Mini
Standard
Heavy**

Precision swivel ball that can be used as either a contact bolt or rest pad. Ideal for evenly distributing clamping pressure on sloped surfaces. **INFO+**: For additional thread sizes, see tooling-component catalog section (page 205).



Swivel Contact Bolts are precision ground for accurate height location, even on sloped surfaces. **INFO+**: See page 419 for Height Shims if additional heights are required.



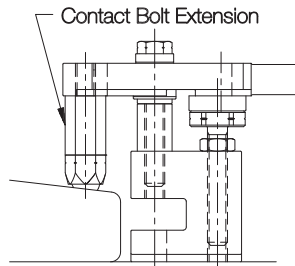
SIZE	PART NO.	A	B	D DIA	E	F	G DIA
MINI	CL-MF25-2502	5/16-18	9/16	13/32	.5000	.32	15/32
STANDARD	CL-MF40-2501	1/2-13	7/8	5/8	.8125	.41	23/32
HEAVY	CL-MF50-2501	5/8-11	1-1/16	13/16	1.0000	.61	29/32

CONTACT-BOLT EXTENSIONS

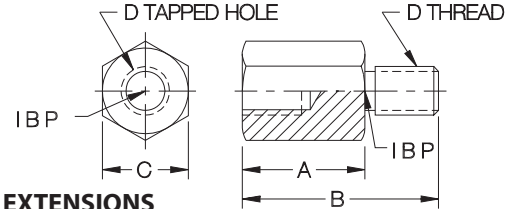


**Mini
Standard
Heavy**

Use with Swivel Contact Bolts to extend their length. Extensions can be stacked to increase length even further.



1045 OR 12L14 STEEL, BLACK OXIDE FINISH
 D TAPPED HOLE



CONTACT-BOLT EXTENSIONS

SIZE	PART NO.	A	B	C	D
MINI	CL-MF25-2601	1/2	13/16	9/16	5/16-18
	CL-MF25-2602	3/4	1-1/16		
	CL-MF25-2603	1	1-5/16		
STANDARD	CL-MF40-2601	1-1/4	2	7/8	1/2-13
	CL-MF40-2602	2	2-3/4		
	CL-MF40-2603	3	3-3/4		
HEAVY	CL-MF50-2601	1-1/4	2-1/4	1-1/16	5/8-11
	CL-MF50-2602	2	3		
	CL-MF50-2603	3	4		

10

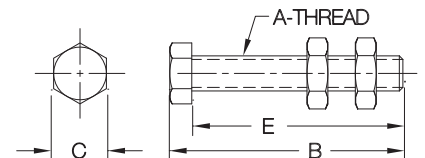
STANDARD-ADJUSTABLE SPINDLES



**Mini
Standard
Heavy**

Long hex-head contact bolt. Fully threaded for maximum adjustment range.

CARBON STEEL, ZINC PLATED CLEAR CHROMATE



STANDARD-ADJUSTABLE SPINDLES

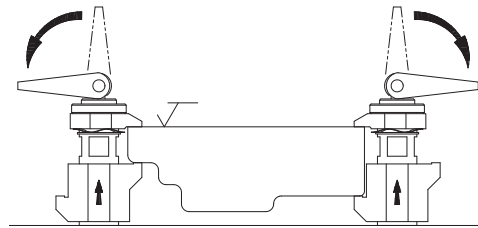
SIZE	PART NO.	A	B	C	E
MINI	CL-516212-SA	5/16-18	2-11/16	1/2	2-1/2
	CL-38314-SA	3/8-16	3-1/4	9/16	3
STANDARD	CL-12314-SA	1/2-13	3-5/16	3/4	3
HEAVY	CL-58438-SA	5/8-11	4-3/8	15/16	4

UP-THRUST CLAMPS

STEEL, WEAR SURFACES HARDENED, BLACK OXIDE FINISH



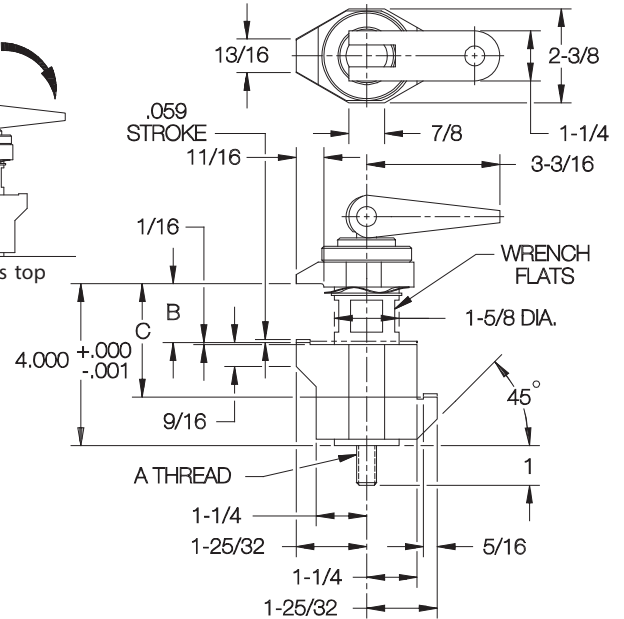
Standard



Up-Thrust Clamps locate off of the part's top surface and clamp up from below.

Combination clamp and locator with unique upward clamping action. Pushing down the cam handle pulls the lower jaw upward. This clamps the workpiece against the stationary upper jaw, whose bottom surface is a precision-ground locator.

The lower jaw has two clamping surfaces 180° apart, one for thinner parts, the other for thicker parts. The cam handle rotates to screw the lower jaw up or down for fine adjustment.



SIZE	PART NO.	A	B RANGE		C RANGE		MAX CLAMPING FORCE (LBS)
			MIN	MAX	MIN	MAX	
STANDARD	CL-MF40-5301	1/2-13	0	1-3/8	1-3/8	2-3/4	2200

SWING CLAMP ASSEMBLIES

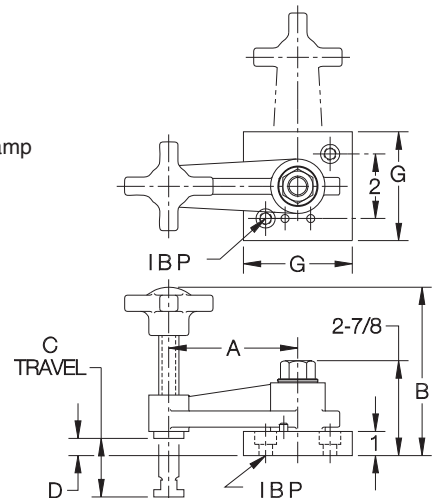
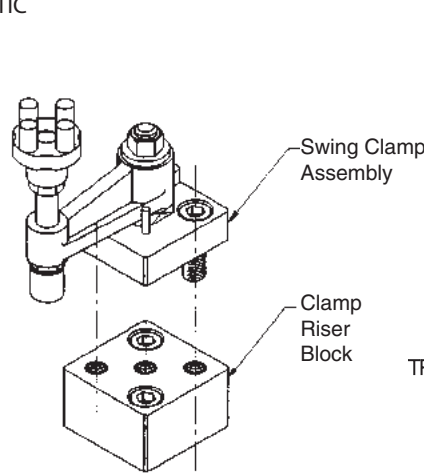
ARM: DUCTILE IRON ASTM CLASS 60-45-10, ZINC PLATED
 KNOB: CAST ALUMINUM, BALLS: BLACK PHENOLIC PLASTIC
 OTHER COMPONENTS: MILD STEEL, BLACK OXIDE FINISH



Ball Handle

Knob Handle

Standard Heavy



BALL HANDLE

SIZE	PART NO.	A	B	C	D	E	G	SOCKET-HEAD CAP SCREWS (2 REQD)
STANDARD	CL-MF40-1511	2-1/2	3-3/4	13/16	1/2	1/2-13	3	CL-1/2-13x1.50-SHCS
HEAVY	CL-MF50-1511	4	4-3/4	1-13/16	1/2	5/8-11	3-3/8	CL-5/8-11x2.00-SHCS

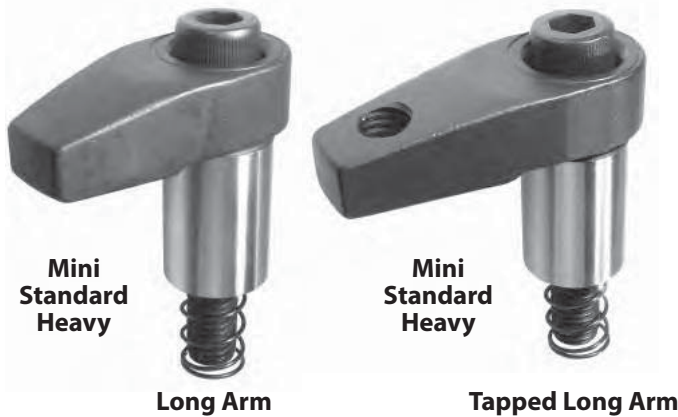
KNOB HANDLE

STANDARD	CL-MF40-1521	2-1/2	3-3/4	13/16	1/2	1/2-13	3	CL-1/2-13x1.50-SHCS
HEAVY	CL-MF50-1521	4	4-3/4	1-13/16	1/2	5/8-11	3-3/8	CL-5/8-11x2.00-SHCS

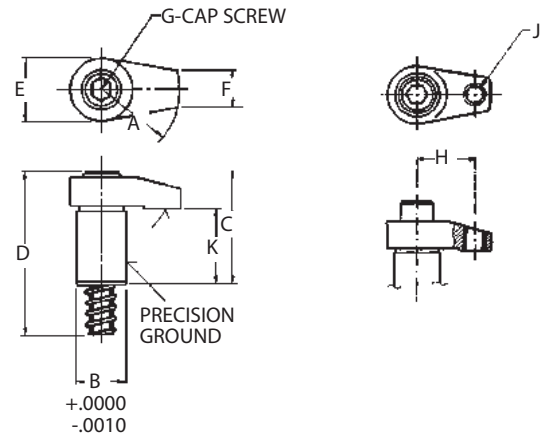
Long-reach swing clamp that can be hand tightened for medium clamping force. The stop pin furnished can be installed on either side for clockwise or counterclockwise rotation. **INFO+**: For additional height, use Clamp Riser Blocks (see website). **INFO+**: For additional, non-modular sizes and more complete dimensions, see pages 278-279.

HOOK CLAMPS

CLAMP BODY: 4135 STEEL, HEAT TREATED, BLACK OXIDE FINISH
 HOLDER: 1045 STEEL, BLACK OXIDE FINISH

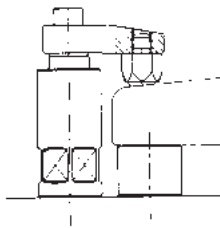


Versatile Hook Clamps available with either a plain or tapped arm. The tapped-arm version accepts a wide variety of contact bolts or adjustment spindles to increase clamping range (the tapped arm is also slightly longer). **INFO+**: For additional sizes and more complete dimensions, see pages 271-273 of tooling component catalog section.



LONG-ARM HOOK CLAMPS

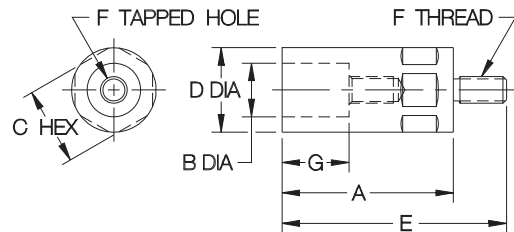
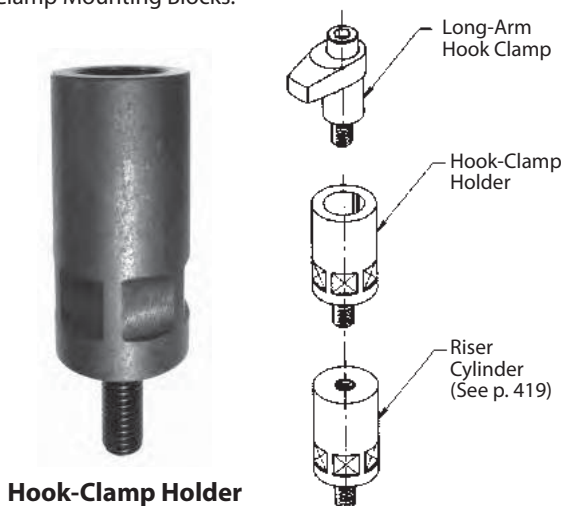
SIZE	PART NO.	A	B DIA	C	D	E	F	G	H	J	K
MINI	CL-MF25-5002	1	.7500	1-7/16	2-5/16	7/8	3/8	5/16-18x2.00	—	—	29/32
STANDARD	CL-MF40-5002	2	1.0000	2-1/2	3-1/2	1-1/4	11/16	1/2-13x3.00	—	—	1-17/32
HEAVY	CL-MF50-5002	2	1.2500	2-7/8	3-7/8	1-7/16	7/8	5/8-11x3.25	—	—	1-17/32



TAPPED LONG-ARM HOOK CLAMPS

SIZE	PART NO.	A	B DIA	C	D	E	F	G	H	J	K
MINI	CL-MF25-5013	1-3/16	.7500	1-7/16	2-5/16	7/8	3/8	5/16-18x2.00	15/16	5/16-18	29/32
STANDARD	CL-MF40-5013	2-3/8	1.0000	2-1/2	3-1/2	1-1/4	11/16	1/2-13x3.00	1-13/16	1/2-13	1-17/32
HEAVY	CL-MF50-5014	2-3/8	1.2500	2-7/8	3-7/8	1-7/16	7/8	5/8-11x3.25	1-13/16	5/8-11	1-17/32

Hook Clamps work well in conjunction with Support Cylinders (**INFO+** page 420) or Screw Rest Pads (**INFO+** page 423) to allow clamping directly over a supported point. **INFO+**: Also see page 271 for Hook-Clamp Mounting Blocks.



HOOK-CLAMP HOLDERS

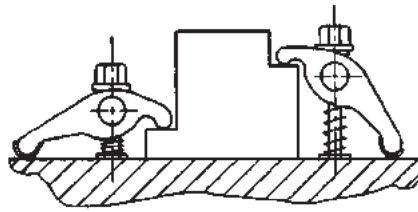
SIZE	PART NO.	F THREAD SIZE	A	B DIA	C	D DIA	E	G
MINI	CL-MF25-5101	5/16-18	2-1/4	.7500	7/8	1	3	15/16
STANDARD	CL-MF40-5101	1/2-13	3-1/8	1.0000	1-7/16	1-9/16	4-3/8	1-9/16
	CL-MF40-5102		4				5-1/4	
HEAVY	CL-MF50-5101	5/8-11	3-1/8	1.2500	1-3/4	2	4-3/8	1-9/16
	CL-MF50-5102		4				5-1/4	

FORGED ADJUSTABLE CLAMPS

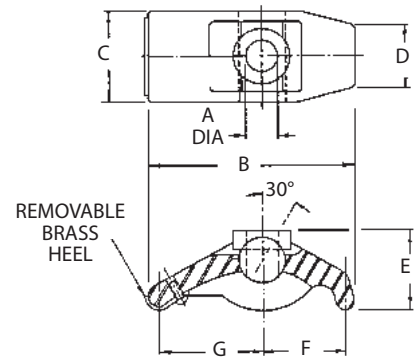
FORGED C1045 STEEL, BLACK OXIDE FINISH



**Mini
Standard
Heavy**



Rugged forged steel pivot clamp with an integral heel support. Order components individually. **INFO+**: For additional sizes, see page 236.



SIZE	PART NO.				CLAMPING-HEIGHT RANGE	A	B	C	D	E	F	G
	CLAMP (p. 211)	STUD (p. 258)	FLANGE NUT (p. 252)	JAM NUT (p. 251)								
MINI	CL-6-FAC	CL-5/16-18x3.00-FTS	CL-3-FN	CL-5-JN	0 to 1-3/4	7/16	3-1/4	1-1/4	7/8	1	1-1/8	1-7/8
STANDARD	CL-8-FAC	CL-1/2-13x4.00-FTS	CL-3-FN	CL-8-JN	0 to 2-1/16	9/16	4	1-5/8	1-1/8	1-7/16	1-7/16	2-5/16
HEAVY	CL-10-FAC	CL-5/8-11x5.00-FTS	CL-4-FN	CL-10-JN	0 to 3	11/16	5-1/2	1-7/8	1-3/8	1-7/8	2	3-1/4

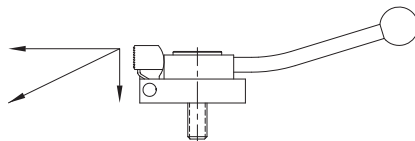
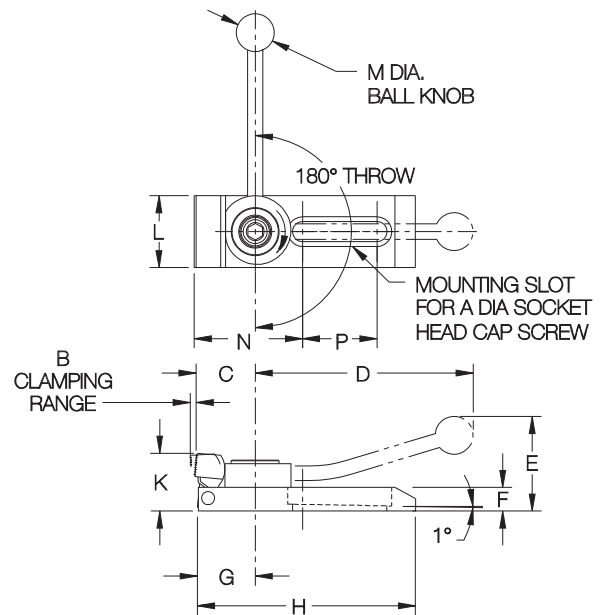
CAM EDGE CLAMPS

BODY: STEEL, WEAR SURFACES HARDENED, BLACK OXIDE FINISH
BALL HANDLE: BLACK PHENOLIC PLASTIC



**Mini
Standard**

Pivoting-nose edge clamp operated by a cam handle for fast action. Smooth spiral cam locks positively anywhere within its 180° throw. Choice of clockwise or counterclockwise handle rotation to clamp. **INFO+**: For additional models, see page 269.



Nose pivots to exert clamping force forward and downward at the same time.

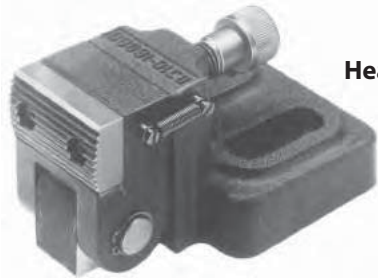
SIZE	PART NO.	CLAMPING DIRECTION	A	B	C	D	E	F	G	H	K		L	M	N	P	MAX CLAMPING FORCE (LBS)		SOCKET-HEAD CAP SCREW (1 REQD)
											MIN	MAX					HORIZ	VERT	
MINI	CL-MF25-5611	CLOCKWISE	5/16-18	5/32	1-1/8	3-15/16	1-5/8	7/16	15/16	3-1/2	7/8	1	1-1/4	3/4	2	1	750	50	CL-5/16-18x1.00-SHCS
	CL-MF25-5612	CCW																	
STANDARD	CL-MF40-5611	CLOCKWISE	1/2-13	7/32	1-9/16	5-3/4	2-1/2	5/8	1-1/2	6	1-5/16	1-1/2	1-7/8	1	2-15/16	2	1500	100	CL-1/2-13x1.25-SHCS
	CL-MF40-5612	CCW																	

PIVOTING EDGE CLAMPS

BODY: GRAY CAST IRON, ASTM CLASS 40, BLACK OXIDE FINISH
 JAW: 1045 STEEL, HEAT TREATED RC 40-45, BLACK OXIDE FINISH
 BOLT: 4135 STEEL, HEAT TREATED, BLACK OXIDE FINISH



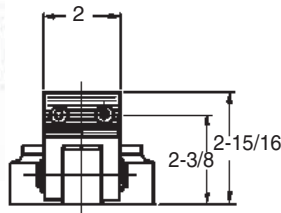
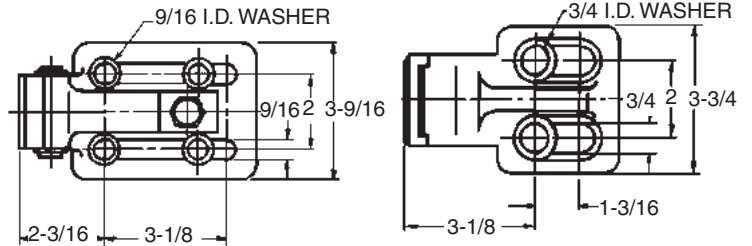
Standard



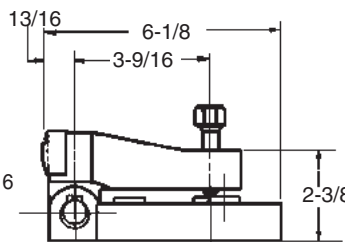
Heavy

Pivoting Edge Clamps

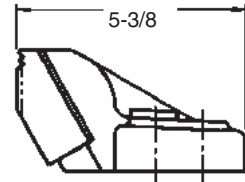
Large edge clamp that is ideal for tall workpieces. Pivoting nose pushes forward and downward simultaneously. Can be used to clamp against fixed locators, or against the Downthrust Backstops shown below. Replacement jaws are available.



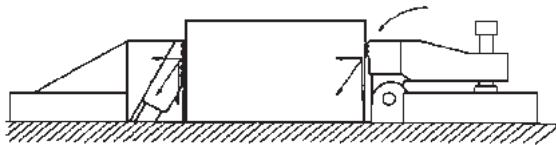
Standard



Heavy



PIVOTING EDGE CLAMPS



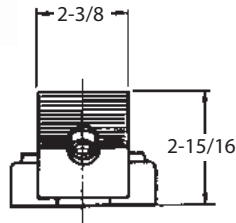
SIZE	PART NO.	MAX. CLAMPING FORCE (LBS)		SOCKET-HEAD CAP SCREWS (2 OR 4 REQD)	REPLACEMENT JAW
		HORIZ	VERT		
STANDARD	CL-MF40-1001	2000	220	(4) CL-1/2-13x2.25-SHCS	CL-MF40-1011
HEAVY	CL-MF50-1001	4200	730	(2) CL-5/8-11x3.00-SHCS	CL-MF40-1011



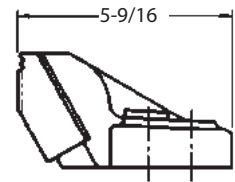
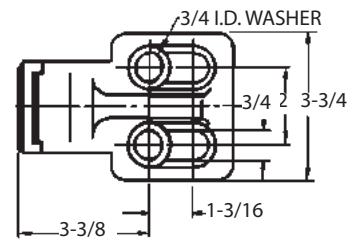
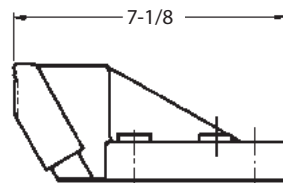
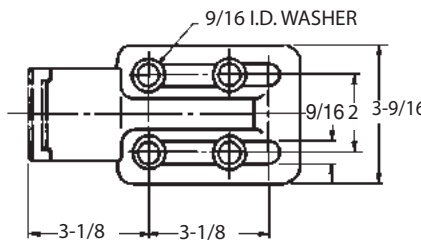
Standard



Heavy



Standard



Heavy

Downthrust Backstops

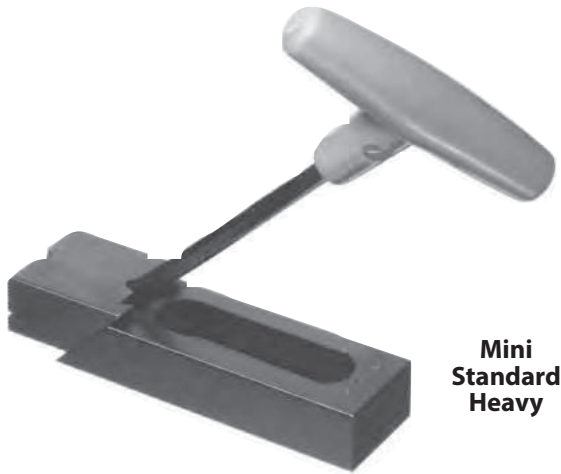
These backstops slide back and downward to provide downholding force on both sides of the workpiece when used with a matching edge clamp. Use when precise horizontal location is not necessary. Replacement jaws are available.

DOWNTHRUST BACKSTOPS

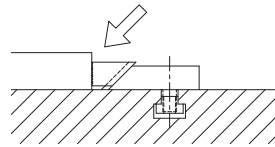
SIZE	PART NO.	SOCKET-HEAD CAP SCREWS (2 OR 4 REQD)	REPLACEMENT JAW
STANDARD	CL-MF40-1101	(4) CL-1/2-13x2.25-SHCS	CL-MF40-1111
HEAVY	CL-MF50-1101	(2) CL-5/8-11x3.00-SHCS	CL-MF40-1111

SERRATED EDGE CLAMPS

BODY AND NOSE: 1018 STEEL, CARBURIZED-HARDENED, BLACK OXIDE FINISH
 CLAMPING SCREW: 4140 STEEL, HEAT TREATED RC 43-45, BLACK OXIDE FINISH
 NOSE COVER: ALUMINUM

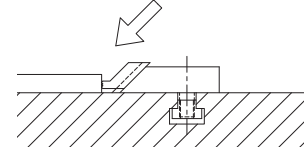


**Mini
Standard
Heavy**



High Nose

High-nose version is best for most applications. Gripping high up on the workpiece, close to the machining plane, provides maximum clamping rigidity. A removable aluminum nose cover is furnished for clamping soft or machined parts without damage.



Low Nose

Low-nose version is ideal for thin parts, with its extra machining clearance.

This low-profile clamp is ideal for gripping the side of a workpiece to keep the top clear for machining. Clamps both forward and down simultaneously, by tightening the socket-head screw in the sliding nose with a hex wrench. V-groove in nose is excellent for clamping round parts or corners.

ADJUSTABLE — HIGH NOSE

SIZE	PART NO.	A	B	C	D	E	F	G	H	J	K	L	M	N	P	Q	MOUNTING SCREWS (1 OR 2 REQD)
MINI	CL-1-SAC	2	5/8	1	—	—	—	1/4	9/32	7/16	1/4	1-1/2	5/32	—	—	1-3/8	(1) CL-5/16-18x1.12-SHCS
	CL-5-SAC	3						1-1/4				2-1/2					
STANDARD	CL-45-SAC	4	7/8	1-1/2	—	—	—	1-1/4	1/2	5/8	5/16	3-3/16	1/4	—	—	2-1/4	(1) CL-1/2-13x1.50-SHCS
	CL-55-SAC	5-1/2						2-1/8				4-11/16				2-1/2	
	CL-65-SAC	7-1/8						3				6-5/16				2-9/16	
HEAVY	CL-75-SAC	5-1/2	1-1/4	1-3/4	—	—	—	1-3/8	5/8	3/4	5/16	4-1/2	5/16	—	—	3-9/32	(1) CL-5/8-11x2.00-SHCS
	CL-95-SAC	8-1/4						4				7-1/4				3	(2) CL-5/8-11x2.00-SHCS

ADJUSTABLE — LOW NOSE

MINI	CL-0-SAC	2	5/8	1	—	—	—	1/4	9/32	—	1/4	1-1/2	5/32	1/8	1/8	1-3/8	(1) CL-5/16-18x1.12-SHCS
	CL-00-SAC	3						1-1/4				2-1/2					
STANDARD	CL-40-SAC	4	7/8	1-1/2	—	—	—	1-1/4	1/2	—	5/16	3-3/16	1/4	1/4	1/4	2-1/4	(1) CL-1/2-13x1.50-SHCS
	CL-50-SAC	5-1/2						2-1/8				4-11/16				2-1/2	
	CL-60-SAC	7-1/8						3				6-5/16				2-9/16	
HEAVY	CL-70-SAC	5-1/2	1-1/4	1-3/4	—	—	—	1-3/8	5/8	—	5/16	4-1/2	5/16	5/16	5/16	3-9/32	(1) CL-5/8-11x2.00-SHCS
	CL-90-SAC	8-1/4						4				7-1/4				3	(2) CL-5/8-11x2.00-SHCS

FIXED — HIGH NOSE

MINI	CL-5-SFC	1-13/16	5/8	1	1	1-3/4	11/16	—	—	7/16	1/4	1-5/16	5/32	—	—	1-15/32	(2) CL-5/16-18x1.00-FHSS
STANDARD	CL-45-SFC	2-11/16	7/8	1-1/2	2	3	1	—	—	5/8	5/16	1-7/8	1/4	—	—	2-3/16	(2) CL-1/2-13x1.38-FHSS
HEAVY	CL-75-SFC	3-1/2	1-1/4	1-3/4	2	3-1/4	1-1/4	—	—	3/4	5/16	2-1/2	5/16	—	—	2-7/8	(2) CL-5/8-11x2.00-FHSS

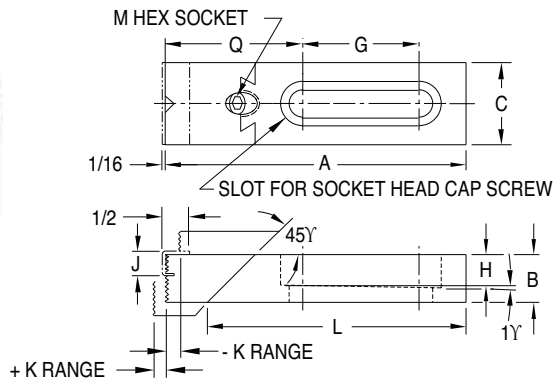
FIXED — LOW NOSE

MINI	CL-0-SFC	1-13/16	5/8	1	1	1-3/4	11/16	—	—	7/16	1/4	1-5/16	5/32	1/8	1/8	1-15/32	(2) CL-5/16-18x1.00-FHSS
STANDARD	CL-40-SFC	2-11/16	7/8	1-1/2	2	3	1	—	—	5/8	5/16	1-7/8	1/4	1/4	1/4	2-3/16	(2) CL-1/2-13x1.38-FHSS
HEAVY	CL-70-SFC	3-1/2	1-1/4	1-3/4	2	3-1/4	1-1/4	—	—	3/4	5/16	2-1/2	5/16	5/16	5/16	2-7/8	(2) CL-5/8-11x2.00-FHSS

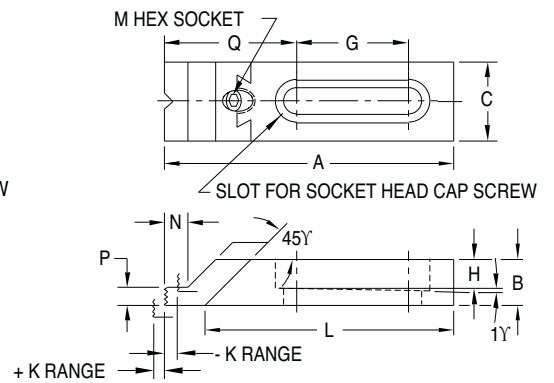
SERRATED EDGE CLAMPS



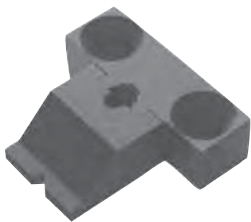
Serrated Adjustable Edge Clamp



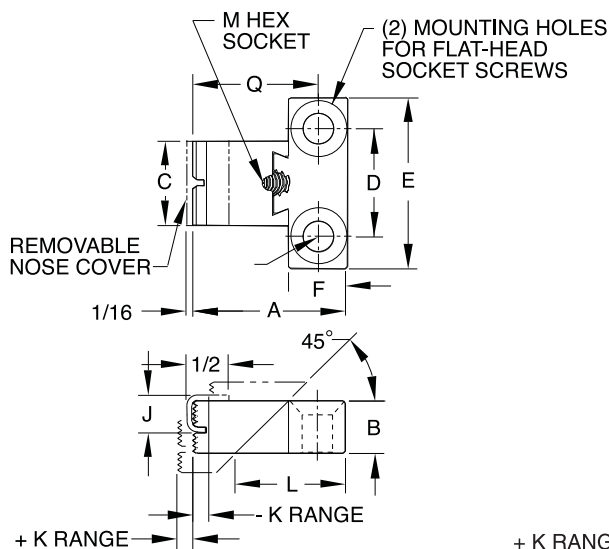
High Nose



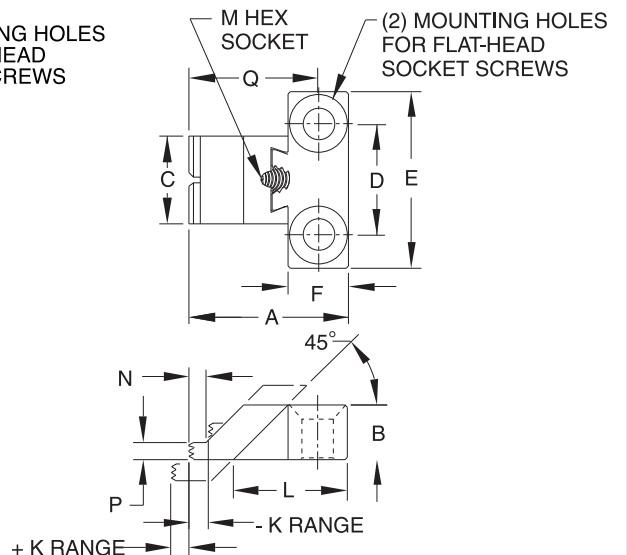
Low Nose



Serrated Fixed Edge Clamp



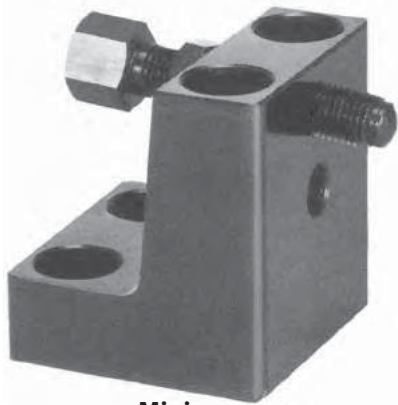
High Nose



Low Nose

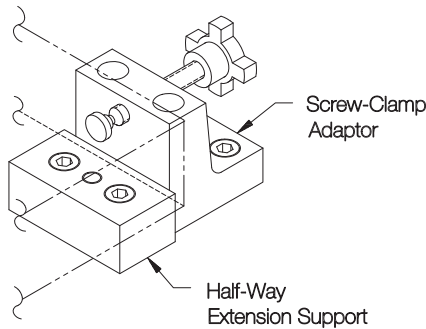
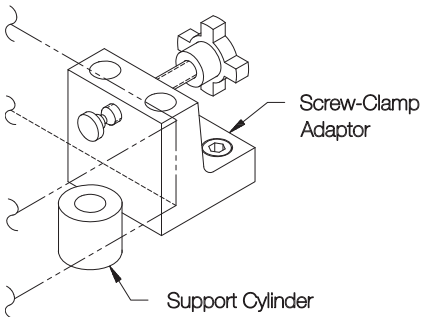
SCREW-CLAMP ADAPTORS

1018 STEEL, BLACK OXIDE FINISH



Screw-Clamp Adaptor

**Mini
Standard
Heavy**



Almost any support can be used together with a Screw Clamp Adaptor. For additional height, a Support Riser Block can be used underneath the adaptor.



Knob Shoe Assembly



Swivel Screw Clamp

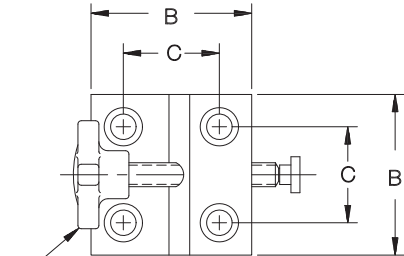


Swivel Head Screw

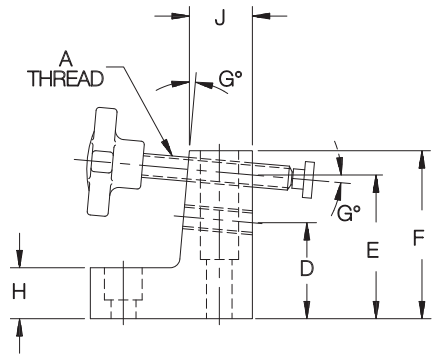


Adjustable-Torque Thumb Screw

Extremely useful mounting adaptor for screw clamps. Accepts any of the four types of screw clamp shown below (order separately). These screw clamps all use our patented left-hand-thread swivel feet (the ball end of the body screws into the foot for easy installation and removal). The adaptor has two tapped holes to allow installing a screw clamp at either of two heights. The tapped holes are angled slightly downward to provide some down thrust force. **INFO+**: See pages 100, 102, 103, 109 for complete dimensions and additional sizes of screw clamps.



ORDER SCREW CLAMP SEPARATELY



SCREW CLAMP ADAPTORS

SIZE	PART NO.	A	B	C	D	E	F	G	H	J	SOCKET-HEAD CAP SCREWS (2 EACH REQD)
MINI	CL-MF25-1251	5/16-18	1-3/4	1	1-1/4	1-3/4	2-1/4	3°	5/8	13/16	CL-5/16-18x1.12-SHCS CL-5/16-18x1.50-SHCS
STANDARD	CL-MF40-1251	1/2-13	3-3/8	2	2	3	3-5/8	5°	1-1/8	1-5/16	CL-1/2-13x1.75-SHCS CL-1/2-13x2.75-SHCS
HEAVY	CL-MF50-1251	5/8-11	3-3/8	2	2	3	3-5/8	5°	1-1/8	1-5/16	CL-5/8-11x2.00-SHCS CL-5/8-11x3.00-SHCS

KNOB SHOE ASSEMBLIES

SIZE	PART NO.	THREAD SIZE	LENGTH UNDER HEAD	HEAD HEIGHT	HEAD DIA	FOOT DIA
MINI	CL-4-KSA	5/16-18	2-1/4	3/4	1-3/4	1/2
STANDARD	CL-9-KSA	1/2-13	3-9/16	1-1/4	2-1/8	3/4
HEAVY	CL-11-KSA	5/8-11	3-5/16	1-1/2	2-3/4	15/16

SWIVEL SCREW CLAMPS

MINI	CL-27-SSC	5/16-18	2-3/32	—	—	1/2
STANDARD	CL-35-SSC	1/2-13	3-1/16	—	—	3/4
HEAVY	CL-38-SSC	5/8-11	3-3/64	—	—	15/16

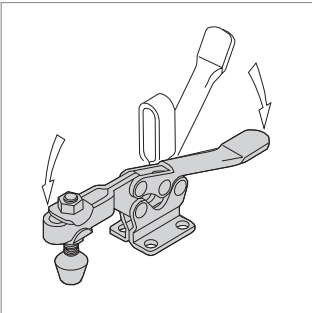
SWIVEL HEAD SCREWS

MINI	CL-22-SHS	5/16-18	2-3/32	3/8	1-1/8	1/2
STANDARD	CL-29-SHS	1/2-13	3-1/16	1/2	1-1/4	3/4
HEAVY	CL-32-SHS	5/8-11	3-3/64	1/2	1-1/4	15/16

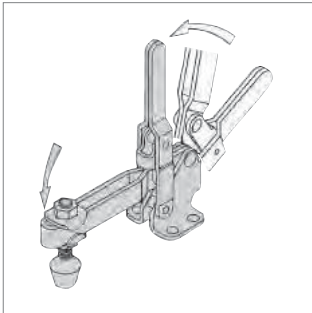
ADJUSTABLE-TORQUE THUMB SCREWS

MINI	CL-527-TSB	5/16-18	2-7/8	21/32	7/8	1/2
STANDARD	CL-830-TSB	1/2-13	3-1/8	21/32	1-3/16	3/4
HEAVY	CL-1030-TSB	5/8-11	3-1/8	21/32	1-3/16	15/16

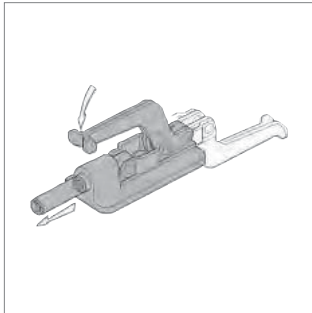
TOGGLE CLAMPS



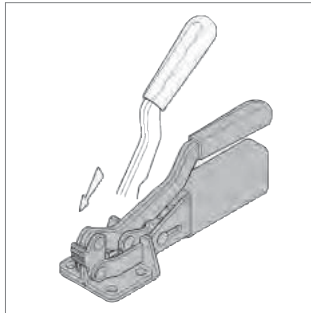
**Horizontal-Handle
Hold-Down Clamps**
pp. 445-454



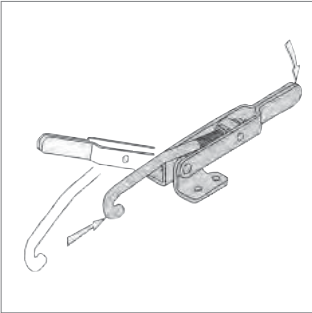
**Vertical-Handle
Hold-Down Clamps**
pp. 455-482



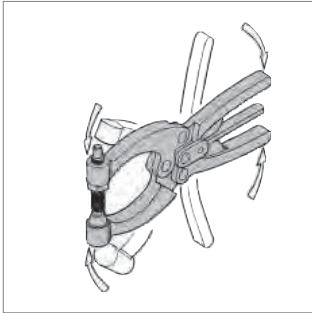
**Push/Pull
Clamps**
pp. 483-495



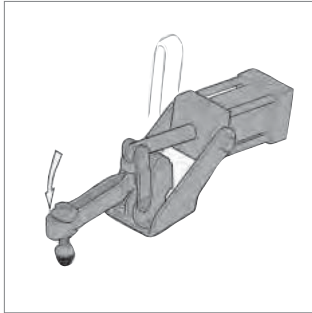
**Toggle Edge
Clamps**
pp. 496-497



**Latch-Action
Clamps**
pp. 498-505



Toggle Pliers
pp. 506-510



**Air-Powered
Clamps**
pp. 511-518

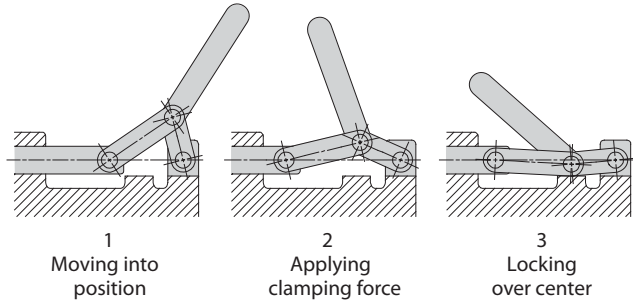


**Toggle Clamp
Accessories**
pp. 519-524

TOGGLE CLAMPS

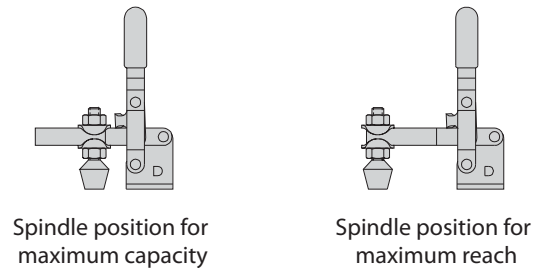
TOGGLE-ACTION PRINCIPLES

A toggle clamp is a quick-acting mechanical linkage where two of the elements make up a toggle action. Actuating the clamp first moves it into position, then applies clamping force by compressing or stretching the linkage elements after contacting the workpiece, then positively locks it by moving the toggle action's center pivot past the centerline of the other two pivots, against a stop.



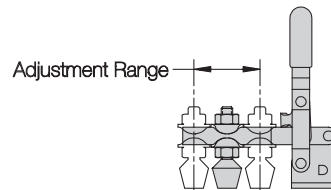
HOLDING CAPACITY

The "holding capacity" listed for each clamp refers to the maximum external force that clamp can safely resist in its locked position without incurring any permanent deformation. For hold-down clamps, holding capacity is measured with the spindle as close as possible to the handle, and will be less at the end of the clamping arm.

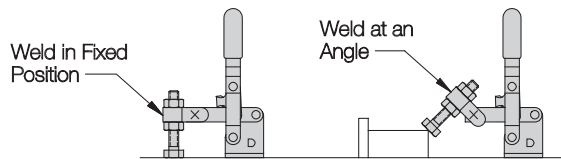


ARM TYPES

Open-arm hold-down clamps offer maximum flexibility and adjustability. Two flanged washers hold the spindle in place anywhere along the arm by tightening the jam nuts.



Solid-arm hold-down clamps are easily customized to a particular application. Using the weld-on bolt retainer, you can locate the spindle permanently in one place. The solid-arm version allows mounting the spindle at an angle, or shortening the clamping arm.



MATERIALS

STEEL

Steel clamps are made from various types including 1008, 1010, 1018, and other fine steels. Pivot pins on most clamp models are 400-series stainless steel for extra durability. Many pivot points have hardened steel bushes for long life. Forged steel components, such as those on toggle pliers and push/pull clamps, are made from high-carbon steel. Many push/pull clamp bases are made of nodular iron for wear resistance.

STAINLESS STEEL

Many toggle-clamp models are available in 300-series stainless steel. These corrosion-resistant clamps are useful in chemical environments, plating operations, food processing, salt-spray environments, medical equipment, electronics fixturing, EDM fixturing, and marine environments. Various stainless steel grades, including 303 and 304, are used. Clamps normally furnished with a flat-cushion spindle in the steel version are supplied with a stainless steel hex-head spindle. Other clamps are available in stainless steel as specials.

**ALL CARR LANE MANUFACTURING
TOGGLE CLAMPS
ARE PROUDLY
MADE IN USA**

TOGGLE CLAMPS

TYPES

All Carr Lane Manufacturing toggle clamps are DFARS and RoHS compliant.



HORIZONTAL-HANDLE

Most popular of all toggle clamps. Clamping weights from 100 to 1,000 lbs. Comfortable finger grip. Options include automatically adjusting, low arm, and extra wide opening. **See page 445.**



VERTICAL-HANDLE

Similar to clamps above, except this version has a vertical handle. Clamping weights from 100 to 1,200 lbs. and heavy duty versions offering clamping power from 750 to 6,000 lbs. **See page 455.**



PUSH/PULL

Push/pull clamps feature a plunger that advances and locks by moving the handle forward. Clamp can also be used for pulling instead of pushing. Clamping weights from 100 to 16,000 lbs. **See page 483.**



EDGE

Unique clamp applies force forward and downward at the same time. Automatically adjusts for different workpiece sizes. **See page 496.**



LATCH-ACTION

Latch action options include adjustable U Bolt, Right-Angle Adjustable U Bolt, Adjustable Hook, and fixed length. **See page 498.**



PLIERS

Forged steel provides strong clamping action. Clamping weights from 200 to 800 lbs. Includes permanently attached and Toggle Bar Clamps as options. **See page 506.**



AIR-POWERED

This clamp linkage is operated by a double-acting air cylinder instead of by hand. Provides high holding capacity and insures positive mechanical locking even if air pressure fails. **See page 511.**

SELECTION CHART

STYLE	CAPACITY									
	0-99	100-199	200-299	300-499	500-750	751-1000	1,000-1,499	1,500-1,999	2,000-5,000	5,001+
Horizontal Handle	X	X	X	X	X	X				
Heavy-Duty Horizontal Handle								X	X	X
Vertical Handle	X	X	X	X	X	X	X			
Heavy-Duty Vertical Handle						X	X	X	X	X
Vertical Handle, Cam Clamp							X			
Push/Pull		X	X	X	X	X		X	X	X
Latch				X	X		X		X	X
Pliers			X	X	X	X				
Air Powered		X	X		X	X	X		X	

TOGGLE CLAMP CONVERSION CHART

Reference Part No.	Carr Lane Part No.
AO-100*	CL-1000-PTC
AO-1200*	CL-3000-PTC
AO-200*	CL-1000-PTC
AO-2000(HD)*	CL-3000-PTC
AO-400*	CL-2000-PTC
AO-800*	CL-2000-PTC
C-800	CL-850-VTC
GLBU1*	CL-111-HVTC
GLBU1-AW-HW*	CL-101-HVTC
GLBU3*	CL-311-HVTC
GLBU3-AW-HW*	CL-301-HVTC
GLBU5*	CL-511-HVTC
GLBU5-AW-HW*	CL-501-HVTC
GLBU6*	CL-611-HVTC
GLBU6-AW-HW*	CL-601-HVTC
GU1*	CL-120-HVTC
GU1-B*	CL-110-HVTC
GU3*	CL-320-HVTC
GU3-B*	CL-310-HVTC
GU5*	CL-520-HVTC
GU5-B*	CL-510-HVTC
GU6*	CL-620-HVTC
GU6-B*	CL-610-HVTC
H-100	CL-250-HTC
H-200	CL-350-HTC
H-200(SS)	CL-350-HTC-S
H-400*	CL-450-HTC
H-400(B)	CL-450-HTC
H-400(SS)*	CL-450-HTC-S
H-600	CL-550-HTC
H-600(SS)	CL-550-HTC-S
LUP-1203	CL-450-PL
LUP-800	CL-254-PL
LUP-800-2S	CL-254-PL-2
P-1200	CL-250-PL
P-1203	CL-450-PL
P-400*	CL-50-PL
P-400-1*	CL-50-PL
P-400-2*	CL-50-PL-2
P-400-2S*	CL-50-PL-3
P-800	CL-254-PL
P-800-2S	CL-254-PL-2
PCH-101	CL-250-PA
PCH-101(SS)	CL-250-PA-S
PCH-200	CL-250-PA
PH & PL-1600	CL-250-PL
S-100	CL-251-VTC
S-200*	CL-451-VTC
S-400*	CL-651-VTC
T-100	CL-252-VTC
T-200	CL-452-VTC
T-400	CL-652-VTC
V-100	CL-250-VTC
V-100(SS)	CL-250-VTC-S
V-1200*	CL-1050-VTC
V-200*	CL-453-VTC
V-200(SS)*	CL-450-VTC-S
V-400*	CL-650-VTC
V-400(SS)*	CL-650-VTC-S
VC-200*	CL-350-VTC
VC-400*	CL-550-VTC
102111	CL-3166-TW
102208	CL-832208-FC
102911	CL-3166-TW-S
105106	CL-832-TW
105203	CL-832203-SA
105208*	CL-832208-FC
105906	CL-832-TW-S
110122	CL-511000-BR
201	CL-150-VTC
201-B	CL-151-VTC
201-SS	CL-150-VTC-S
201-T	CL-152-VTC
201208	CL-316112-FC
201943	CL-316100-SA-S
202	CL-250-VTC
202-B	CL-251-VTC
202-SS	CL-250-VTC-S
202-T	CL-252-VTC
202-U*	CL-253-VTC
202-USS	CL-253-VTC-S
202203*	CL-14200-SA
202208	CL-14112-FC

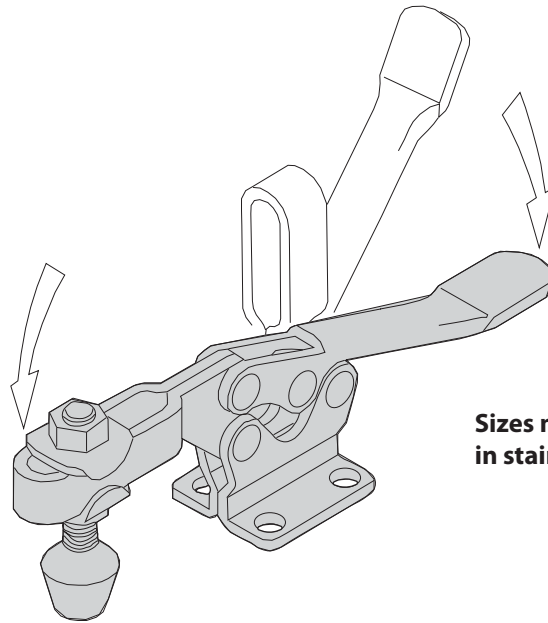
Reference Part No.	Carr Lane Part No.
202943*	CL-14112-SA-S
205-S	CL-150-HTC
205-SB	CL-151-HTC
205-SL	CL-153-HTC
205-SR	CL-152-HTC
205-SSS	CL-150-HTC-S
205-U	CL-250-HTC
205-UB	CL-251-HTC
205-UL	CL-253-HTC
205-UR	CL-252-HTC
205-USS	CL-250-HTC-S
205105	CL-142000-BR
205203	CL-14112-SA
205943*	CL-83234-SA-S
206-HSS*	CL-51-TC
206-SS*	CL-51-TC
207-L	CL-353-VTC
207-LB*	CL-351-VTC
207-LR*	CL-350-LVTC
207-S	CL-350-VTC
207-SB	CL-351-VTC
207-TL*	CL-352-VTC
207-TS	CL-352-VTC
207-TU	CL-452-VTC
207-TUL*	CL-452-VTC
207-U	CL-450-VTC
207-UB	CL-451-VTC
207-UL	CL-453-VTC
207-ULB*	CL-451-VTC
207-UR*	CL-450-LVTC
207105	CL-518000-BR
207203	CL-516212-SA
207206	CL-14200-SF
207943*	CL-516212-SA-S
210-S	CL-550-VTC
210-SB	CL-551-VTC
210-SR*	CL-550-LVTC
210-TS	CL-552-VTC
210-TU	CL-652-VTC
210-U	CL-650-VTC
210-UB	CL-651-VTC
210-UR*	CL-650-LVTC
210-USS	CL-650-VTC-S
210114	CL-316000-BR
210203*	CL-38314-SA
210206	CL-38314-SF
210208	CL-38314-CC
211208*	CL-14200-CC
213-U*	CL-260-HTC
213-USS*	CL-260-HTC-S
213208	CL-14200-CC
213943	CL-832203-SA-S
215-S	CL-300-HTC
215-U	CL-350-HTC
215-UB	CL-351-HTC
215-USS	CL-350-HTC-S
215105*	CL-148-TW
215208	CL-14200-FC
215905*	CL-148-TW-S
217-U*	CL-350-HTC
217-USS*	CL-350-HTC-S
220	CL-600-VTC
220203	CL-12314-SA
220208*	CL-38314-CC
225-U	CL-450-HTC
225-UB	CL-451-HTC
225-UR*	CL-451-HTC
225-USS	CL-450-HTC-S
225208	CL-518208-FC
227-U*	CL-450-HTC
227-USS*	CL-450-HTC-S
227943*	CL-516212-SA-S
228	CL-601-VTC
235-U	CL-550-HTC
235-UB	CL-551-HTC
235-UR*	CL-550-HTC
235-USS	CL-550-HTC-S
235106	CL-3811-TW
235906	CL-3811-TW-S
237-U*	CL-550-HTC
237-USS*	CL-550-HTC-S
237943*	CL-38314-SA-S
240203*	CL-38314-SA

Reference Part No.	Carr Lane Part No.
240208*	CL-38314-FC
245-S	CL-600-HTC
245-U	CL-650-HTC
245943*	CL-12234-SA-S
247-S	CL-750-VTC
247-SB	CL-751-VTC
247-U	CL-850-VTC
247-UB	CL-851-VTC
247109	CL-1213-TW
247110	CL-113000-BR
250*	CL-800-VTC
250-G	CL-800-VTC
250121*	CL-113000-BR
250203	CL-58438-SA
250206*	CL-44-SSC
258*	CL-801-VTC
258-G	CL-801-VTC
267	CL-950-VTC
267-U	CL-1050-VTC
267102	CL-5811-TW
301	CL-150-PA
301-SS	CL-150-PA-S
305-U	CL-200-VTC
305-UR*	CL-200-LVTC
305-USS	CL-200-VTC-S
305203*	CL-316112-SA
305208	CL-316112-CC
307-U	CL-300-VTC
307-UR*	CL-300-LVTC
307-USS	CL-300-VTC-S
309-U	CL-518000-BR
309-UR*	CL-500-LVTC
309-USS	CL-500-VTC-S
311	CL-170-PA
317	CL-375-HTC
317-U	CL-475-HTC
323*	CL-100-PA
323-MSS*	CL-100-PA-S
323-SS	CL-100-PA-S
324*	CL-110-PA
324-SS*	CL-110-PA-S
325	CL-325-PL-S
325-SS	CL-325-PL-S
325203*	CL-12314-SA
331*	CL-200-PA
331-R*	CL-200-LPA
331-R-SS*	CL-200-LPA-S
331-SS*	CL-200-PA-S
334*	CL-210-PA
334-SS*	CL-210-PA-S
341*	CL-300-PA
341-R*	CL-300-LPA
341-R-SS*	CL-300-LPA-S
341-SS*	CL-300-PA-S
344*	CL-310-PA
344-SS*	CL-310-PA-S
345	CL-345-PL
345100	CL-345-PLA
351	CL-250-PA
351-B	CL-251-PA
351-R*	CL-257-PA
351-SS	CL-250-PA-S
375	CL-400-PA
375-R	CL-400-LPA
381	CL-350-PA
385	CL-500-PA
385-R	CL-500-LPA
385102	CL-500-PAA
424	CL-50-PL
424-2	CL-50-PL-2
424208	CL-14208-SA
812208	CL-14100-SA
441	CL-150-PL
441203*	CL-516212-SA
462	CL-254-PL
462-2	CL-254-PL-2
463	CL-454-PL
468	CL-254-PL
468206*	CL-38314-SF
474	CL-454-PL
486*	CL-550-PL
501*	CL-120-HVTC
501-B*	CL-110-HVTC

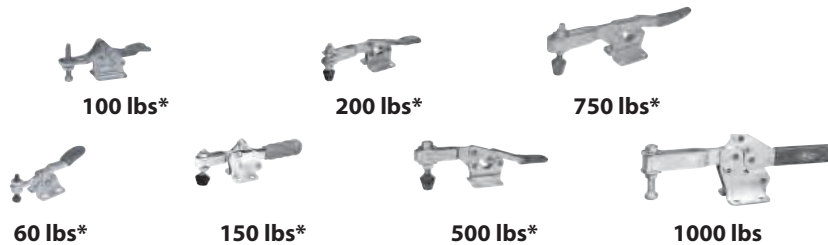
Reference Part No.	Carr Lane Part No.
503*	CL-320-HVTC
503-B*	CL-310-HVTC
503-LB*	CL-311-HVTC
505*	CL-520-HVTC
505-B*	CL-510-HVTC
505-LB*	CL-511-HVTC
506*	CL-620-HVTC
506-B*	CL-610-HVTC
506-LB*	CL-611-HVTC
507107	CL-51610-TW
507206*	CL-516212-SF
507208	CL-516212-FC
507907	CL-51610-TW-S
509208	CL-516212-CC
527208	CL-38314-FC
548*	CL-501-HVTC
578*	CL-601-HVTC
588*	CL-601-HVTC
6001-M	CLM-60-SPC
6001-MMS*	CLM-60-SPC
601*	CLM-50-SPC
601-0*	CLM-50-SPC
601-M*	CLM-50-SPC
601-SS*	CLM-50-SPC-S
6015	CLM-100-SPC
6015-M	CLM-100-SPC
6015-SS	CLM-100-LSPC
6015-MR5S*	CLM-100-LSPC-S
6015-R	CLM-100-LSPC
6015-RSS	CLM-100-LSPC-S
6015-SS	CLM-100-LSPC-S
602	CL-150-TPC
602-M	CLM-150-TPC
602-SS	CL-150-TPC-S
603*	CL-100-PC
603-M*	CLM-100-PC
603-MR	CL-100-LPC
603-R*	CL-100-LPC
604	CL-250-TPC
604-M	CLM-250-TPC
604-SS	CL-250-TPC-S
604106	CL-250-TPC-S
605	CL-150-SPC
605-M	CLM-150-SPC
607*	CL-350-SPC
608	CL-200-PC
610*	CL-250-SPC
610-M*	CLM-250-SPC
620*	CL-275-SPC
620-M*	CLM-275-SPC
624	CL-350-TPC
624-M	CLM-350-TPC
624-SS	CL-350-TPC-S
628*	CL-276-SPC
630	CL-350-SPC
630-M	CLM-350-SPC
630-MR*	CL-350-LPC
630-M	CL-350-LPC
640*	CL-450-SPC
640-M*	CLM-450-SPC
650	CL-650-SPC
650-M	CLM-650-SPC
7-59	CL-1000-VCC
802*	CL-500-PTC
803*	CL-1500-PPC
807-L*	CL-1001-PTC
807-LH/T*	CL-1001-PTCH
807-UL*	CL-1000-PTC
807-ULH/T*	CL-1000-PTCH
810-S*	CL-2001-PTC
810-U*	CL-2000-PTC
812*	CL-400-PTC
816*	CL-600-PPC
847-S*	CL-2001-PTC
847-U*	CL-2000-PTC
858*	CL-3000-PTC
870*	CL-1011-POC
871*	CL-1010-POC
902*	CL-516212-SL
904*	CL-38314-SL

* Functionally equivalent, but differs in some dimension and/or specification. Please check catalog before ordering.

HORIZONTAL-HANDLE TOGGLE CLAMPS



Sizes marked * are also available in stainless steel.



100 lbs*

200 lbs*

750 lbs*

60 lbs*

150 lbs*

500 lbs*

1000 lbs

Standard HTC Design pp. 446-451

Most-popular and widest-range series of horizontal-handle hold-down clamps. Available in seven sizes, the smaller ones with a comfortable finger grip. Most sizes are available with either a flanged base or a straight base. Choice of solid arm, or open arm for spindle adjustment.



750 lbs

Automatically Adjusting p. 452

Self-adjusting clamp automatically compensates for different workpiece heights without resetting the spindle. Clamping force is always consistent after setting once.



250 lbs



625 lbs



850 lbs

Low-Arm TC Design p. 453

Simple, classic-design horizontal-handle clamps. Available in three sizes, with either a flanged base or a straight base.



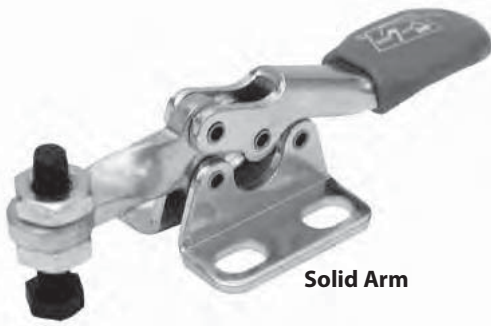
375 lbs

Extra-Wide Opening p. 454

Arm opens a full 185° for maximum loading clearance. Unique up-then-down handle motion. Handle locks at a 60° downward angle. Dual flanged bases allow mounting on either horizontal or vertical surfaces. Choice of solid arm, or open arm for spindle adjustment.

HORIZONTAL-HANDLE TOGGLE CLAMPS

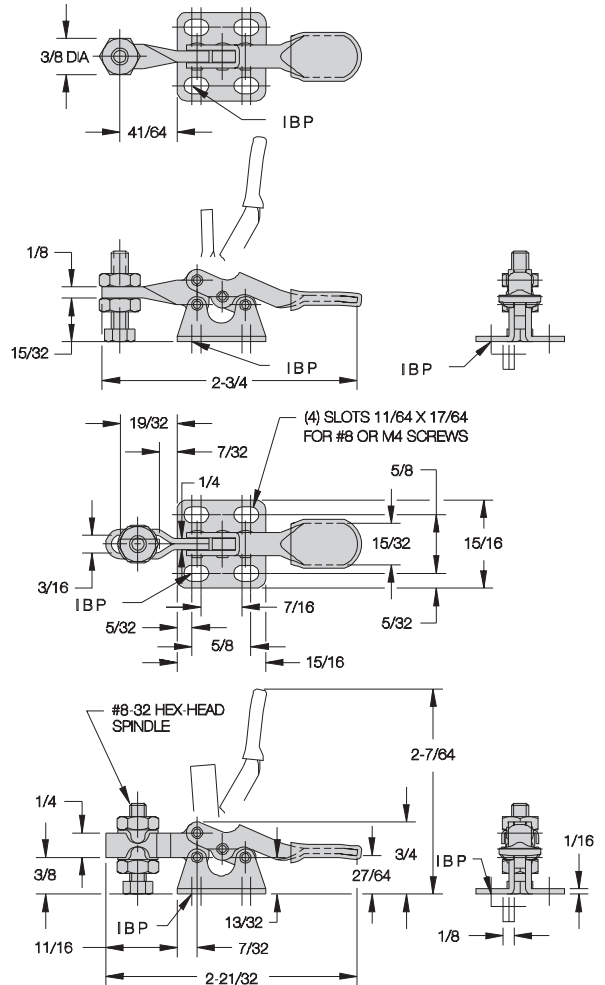
INFO+: SEE PAGE 442 FOR MATERIAL SPECIFICATIONS



Solid Arm



Open Arm

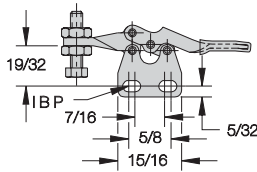


CL-150-HTC Solid Arm, Flanged Base CL-250-HTC Open Arm, Flanged Base

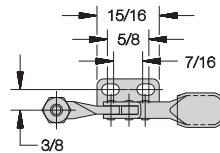
Smallest hold-down clamp available. Choose either a solid arm, or an open arm for spindle adjustment. Arm opens 90° while handle moves 80°. Supplied with #8-32 nylon hex-head spindle CL-832203-SA. Open-arm versions also include (2) CL-832-TW flanged washers. Shipping weight 0.1 lbs.

Holding capacity:

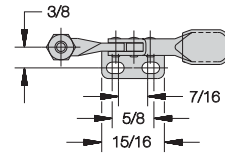
60 lbs



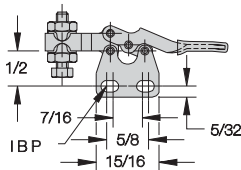
CL-151-HTC
Solid Arm
Straight Base



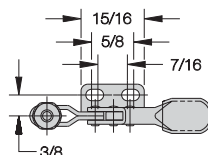
CL-152-HTC
Solid Arm
Right Flange



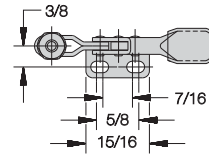
CL-153-HTC
Solid Arm
Left Flange



CL-251-HTC
Open Arm
Straight Base



CL-252-HTC
Open Arm
Right Flange



CL-253-HTC
Open Arm
Left Flange

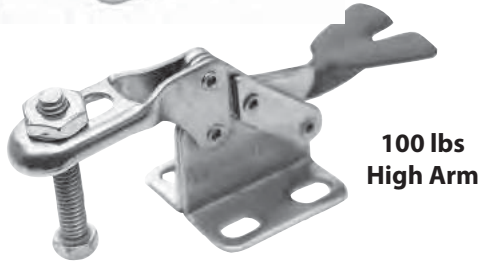
11

HORIZONTAL-HANDLE TOGGLE CLAMPS

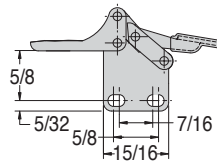
INFO+: SEE PAGE 442 FOR MATERIAL SPECIFICATIONS



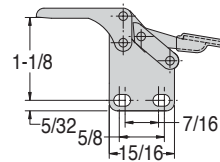
100 lbs
Low Arm



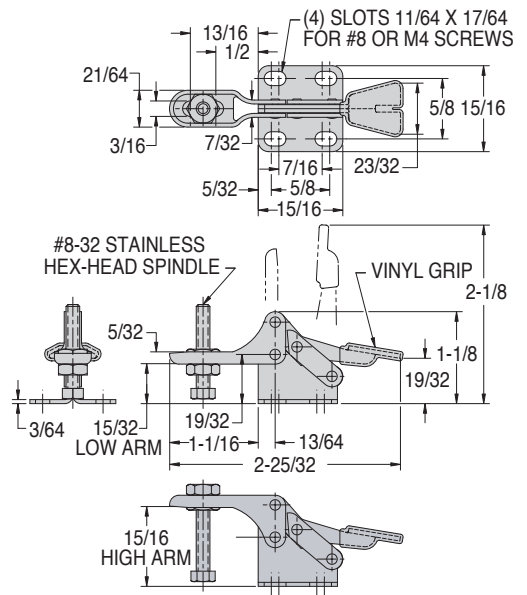
100 lbs
High Arm



CL-52-TC
Low Arm, Straight Base



CL-54-TC
High Arm, Straight Base



CL-51-TC CL-53-TC

Low Arm, Flanged Base
High Arm, Flanged Base

Miniature stainless steel clamp with open arm for spindle adjustment. Perfect for electronics fixturing and other light-duty application. Arm opens 90° while handle moves 90°. Supplied with #8-32 stainless hex-head spindle CL-832203-SA-S. Shipping weight 0.1 lbs.

Holding capacity:

100 lbs

HORIZONTAL-HANDLE TOGGLE CLAMPS

INFO+: SEE PAGE 442 FOR MATERIAL SPECIFICATIONS



150 lbs

CL-260-HTC Open Arm, Flanged Base

An extremely powerful clamp for its small size. Open arm allows spindle adjustment. Arm opens 90° while handle moves 75°. Supplied with #10-32 flat-cushion spindle CL-316112-FC and (2) CL-3166-TW flanged washers. Shipping weight 0.2 lbs.

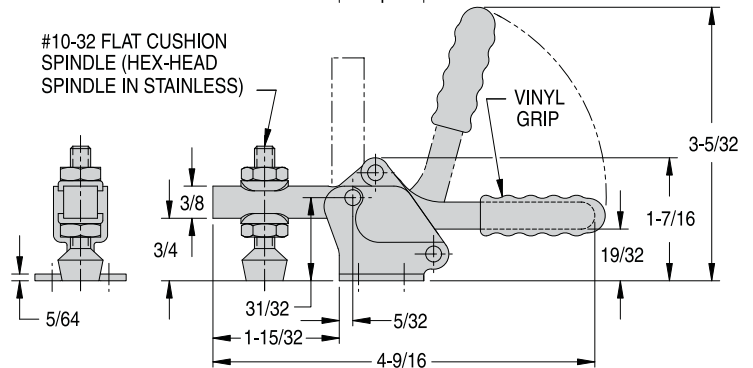
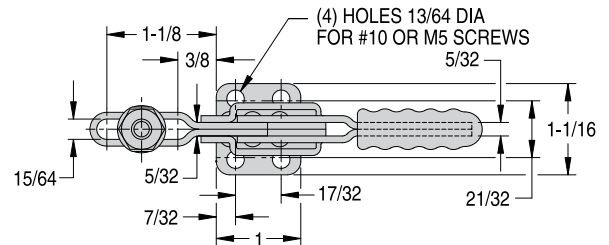
Holding capacity:

150 lbs

Also available in stainless steel . . .



CL-260-HTC-S



HORIZONTAL-HANDLE TOGGLE CLAMPS

INFO+: SEE PAGE 442 FOR MATERIAL SPECIFICATIONS



**200 lbs
Solid Arm**

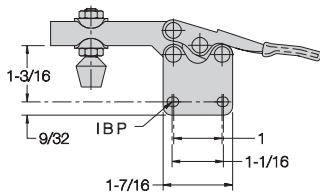
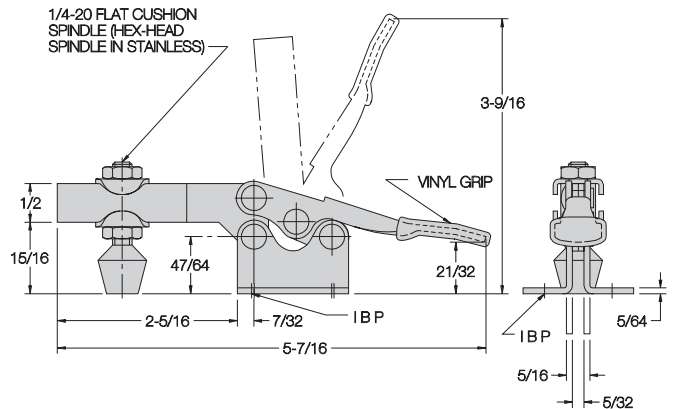
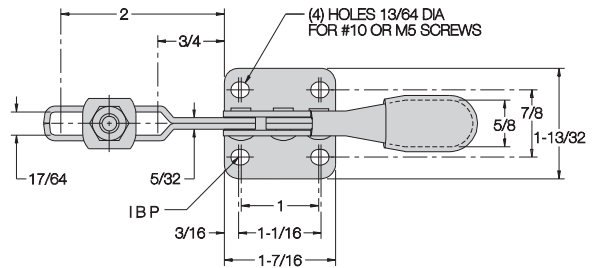
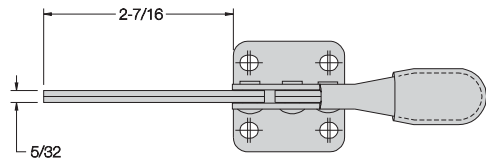
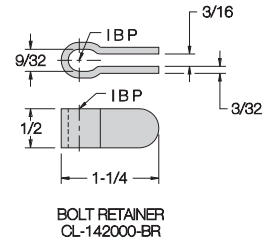


**200 lbs
Open Arm**

CL-300-HTC Solid Arm, Flanged Base CL-350-HTC Open Arm, Flanged Base

Popular medium-duty clamp. Choose either a solid arm, or an open arm for spindle adjustment. Arm opens 86° while handle moves 60°. Supplied with 1/4-20 short flat-cushion spindle CL-14112-FC. Solid-arm version supplied with CL-142000-BR bolt retainer. Open-arm version supplied with (2) CL-147-TW flanged washers. Shipping weight 0.3 lbs.

Holding capacity: 200 lbs



**CL-351-HTC
Open Arm
Straight Base**

Also available in stainless steel . . .



CL-350-HTC-S

HORIZONTAL-HANDLE TOGGLE CLAMPS

INFO+: SEE PAGE 442 FOR MATERIAL SPECIFICATIONS

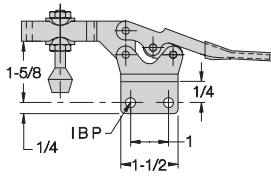


500 lbs

CL-450-HTC Open Arm, Flanged Base

Strong-yet-compact horizontal-handle clamp, with open arm for spindle adjustment. Arm opens 90° while handle moves 65°. Supplied with 5/16-18 short flat-cushion spindle CL-518208-FC and (2) CL-51610-TW flanged washers. Shipping weight 0.6 lbs.

Holding capacity: 500 lbs

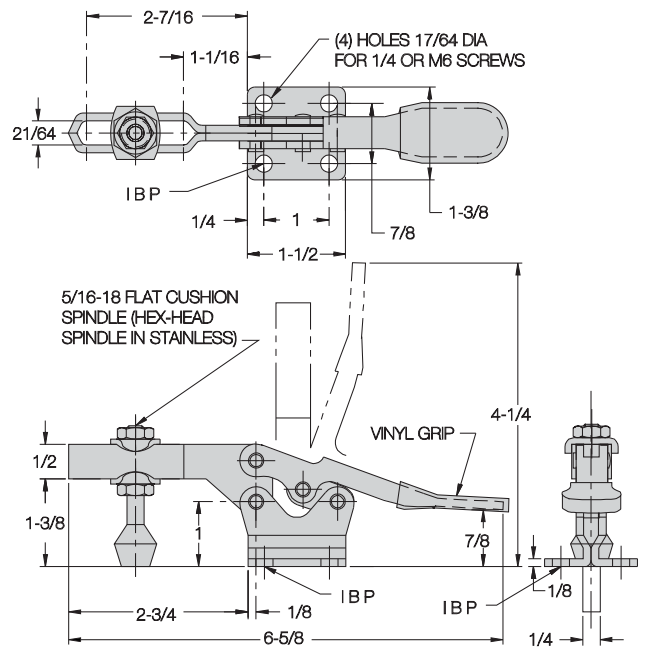


CL-451-HTC
Straight Base

Also available in stainless steel . . .

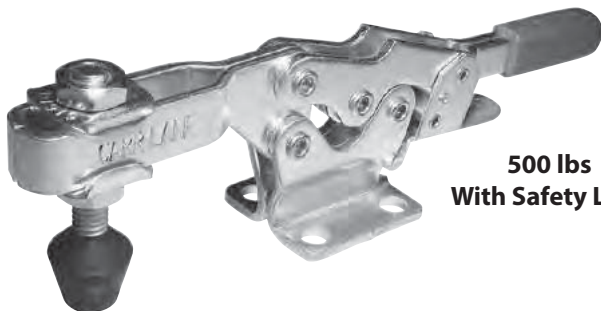


CL-450-HTC-S



HORIZONTAL-HANDLE TOGGLE CLAMPS

INFO+: SEE PAGE 442 FOR MATERIAL SPECIFICATIONS

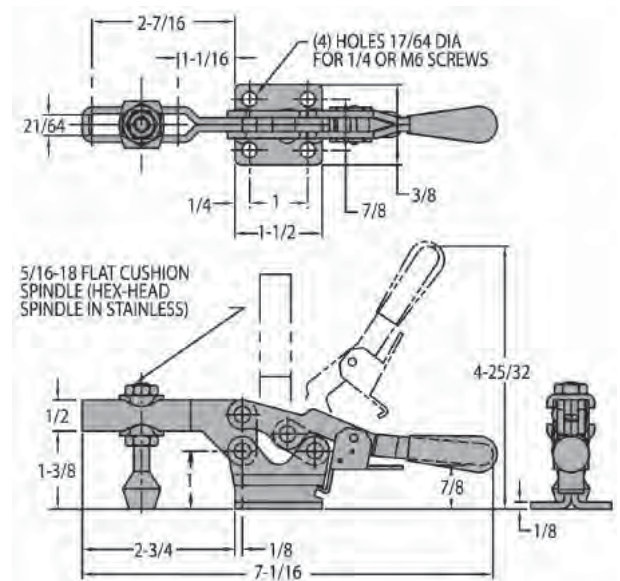
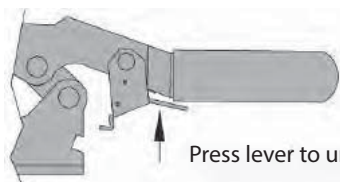


500 lbs
With Safety Lock

CL-450-LHTC Open Arm, Flanged Base

Same as the toggle clamp shown above, except with our unique safety-lock feature. This safety lock automatically engages when the clamp is closed, then remains locked until manually disengaged by pressing the lever before opening. This prevents the clamp from being accidentally opened by bumping the handle. Shipping weight 0.7 lbs.

Holding capacity: 500 lbs



HORIZONTAL-HANDLE TOGGLE CLAMPS

INFO+: SEE PAGE 442 FOR MATERIAL SPECIFICATIONS



750 lbs

CL-550-HTC Open Arm, Flanged Base

Heavy-duty clamp with open arm for spindle adjustment. Arm opens 90° while handle moves 55°. Supplied with 3/8-16 short flat-cushion spindle CL-38212-FC and (2) CL-3811-TW flanged washers. Shipping weight 1.5 lbs.

Holding capacity: 750 lbs

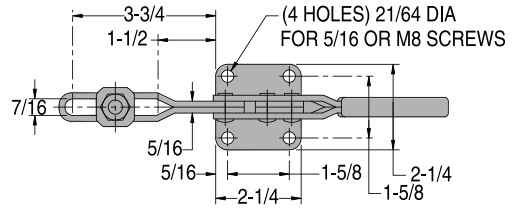
Also available in stainless steel . . .



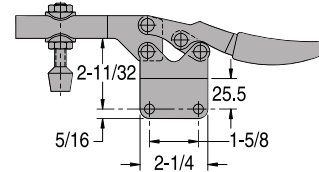
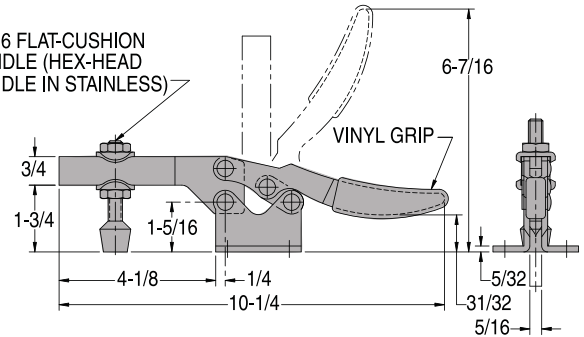
CL-550-HTC-S



CL-551-HTC-S



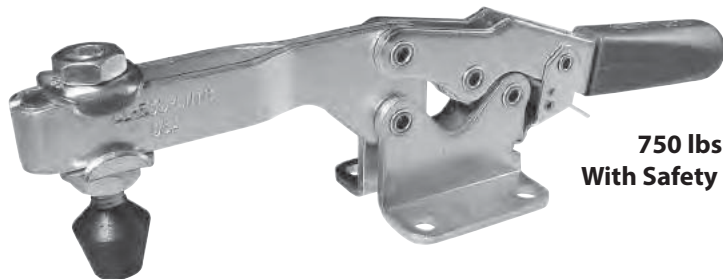
3/8-16 FLAT-CUSHION SPINDLE (HEX-HEAD SPINDLE IN STAINLESS)



CL-551-HTC
Straight Base

HORIZONTAL-HANDLE TOGGLE CLAMPS

INFO+: SEE PAGE 442 FOR MATERIAL SPECIFICATIONS

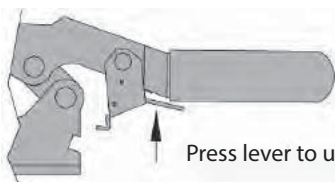


750 lbs
With Safety Lock

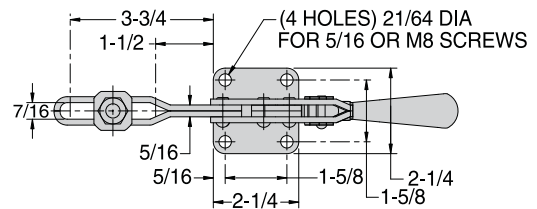
CL-550-LHTC Open Arm, Flanged Base

Same as the toggle clamp shown above, except with our unique safety-lock feature. This safety lock automatically engages when the clamp is closed, then remains locked until manually disengaged by pressing the lever before opening. This prevents the clamp from being accidentally opened by bumping the handle. Shipping weight 1.6 lbs.

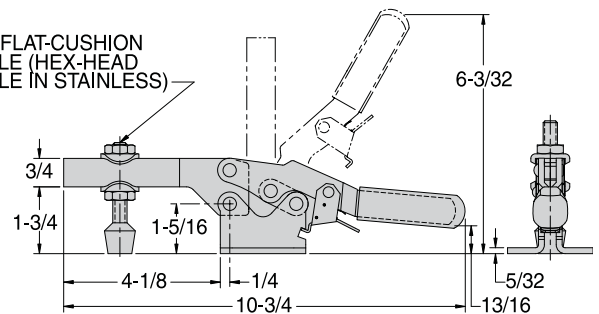
Holding capacity: 750 lbs



Press lever to unlock.

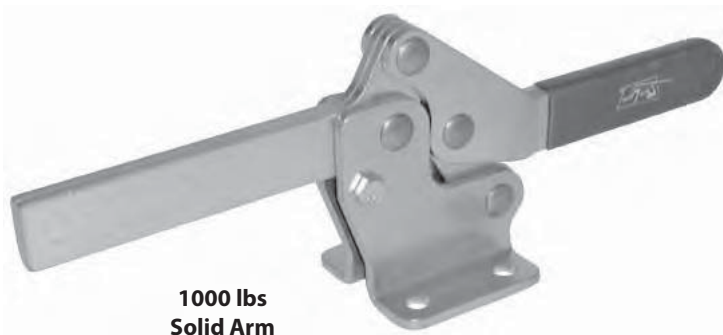


3/8-16 FLAT-CUSHION SPINDLE (HEX-HEAD SPINDLE IN STAINLESS)

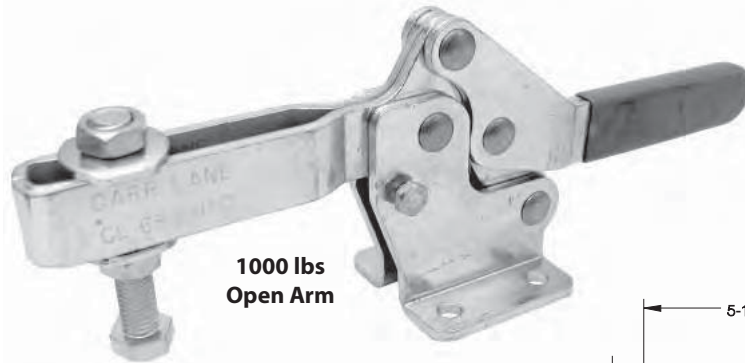


HORIZONTAL-HANDLE TOGGLE CLAMPS

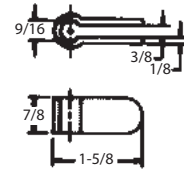
INFO+: SEE PAGE 442 FOR MATERIAL SPECIFICATIONS



**1000 lbs
Solid Arm**



**1000 lbs
Open Arm**



**BOLT RETAINER
CL-113000-BR**

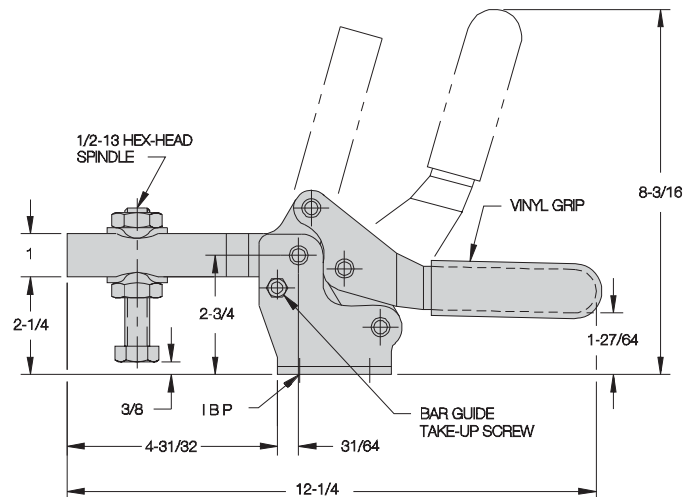
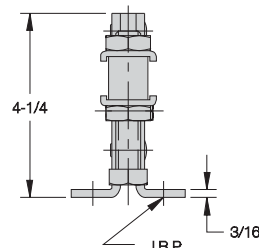
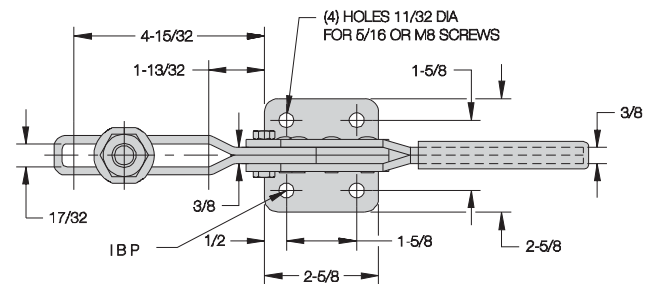
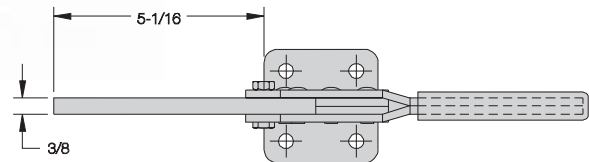
CL-600-HTC CL-650-HTC

**Solid Arm, Flanged Base
Open Arm, Flanged Base**

Largest and strongest horizontal-handle hold-down clamp. Choose either a solid arm, or an open arm for spindle adjustment. Arm opens a wide 105° while handle moves 75°. Supplied with 1/2-13 hex-head spindle CL-12314-SA. Solid-arm version supplied with a CL-113000-BR bolt retainer. Open-arm version supplied with (2) CL-1213-TW flanged washers. Shipping weight 3.3 lbs.

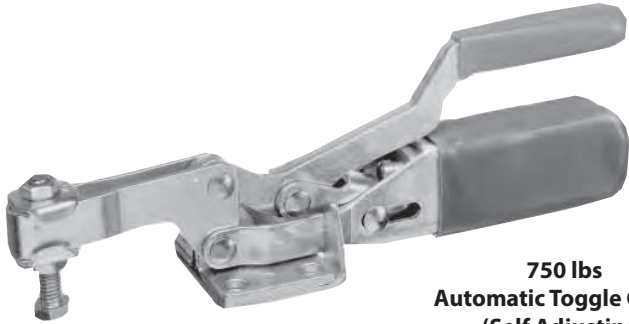
Holding capacity:

1000 lbs



HORIZONTAL-HANDLE TOGGLE CLAMPS

INFO+: SEE PAGE 442 FOR MATERIAL SPECIFICATIONS



**750 lbs
Automatic Toggle Clamp
(Self Adjusting)**

CL-550-AHTC

Automatically adjusts for different workpiece thicknesses! Clamps with the same, repeatable force anywhere within its 1/2" automatic-adjustment range. Perfect for welding fixtures, machining fixtures for castings, fixtures holding several part sizes within the same family, or any other application where part size can vary.

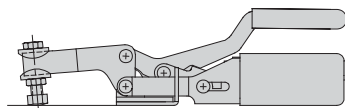
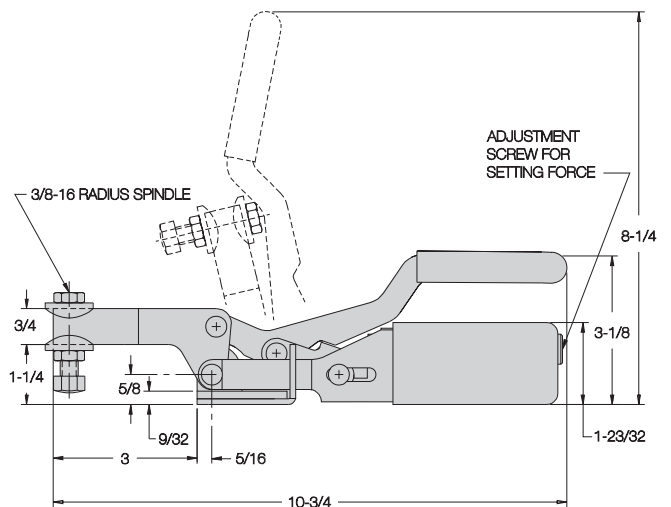
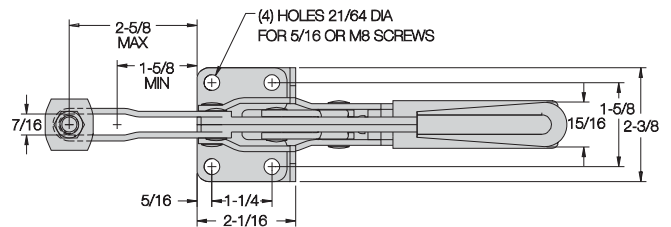
Easy to use. To set up, simply adjust the contact spindle to the average workpiece height, and set desired clamping force once. After that, operate just like a standard toggle clamp. The patented adjusting mechanism does the rest.

Clamping force is always consistent. The clamp's toggle action ensures that workpieces will remain clamped even under severe vibration. No additional spindle adjustment is ever needed. The clamp even compensates for wear in long production runs.

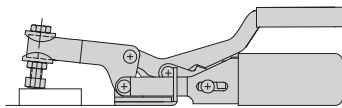
Fits in the same space, and provides the same clamping force as a standard toggle clamp. A maximum of 250 to 500 lbs clamping force (depending on spindle position) can be applied by hand. Arm opens 87° while handle moves 80°. Supplied with 3/8-16 radius spindle CL-38200-RS and (2) CL-3811-TW flanged washers. Patent no. 4,407,493. Other patents pending. Shipping weight 1.9 lbs.

Holding capacity:

750 lbs



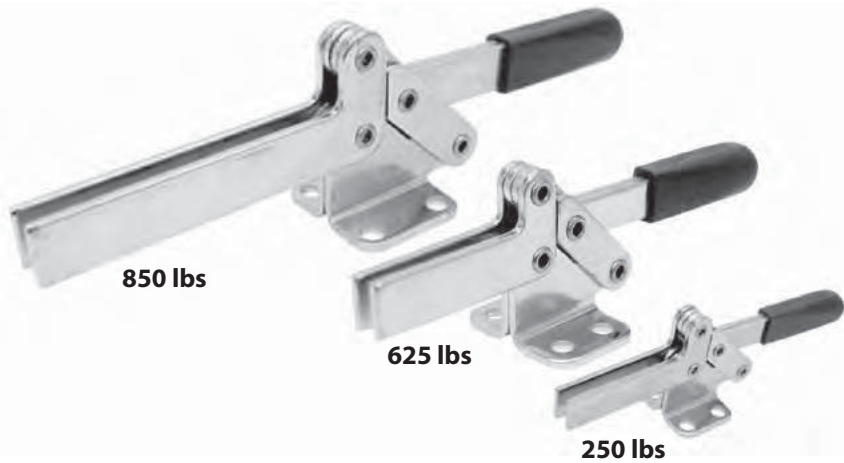
**Low Limit
-1/4"**



**High Limit
+1/4"**

HORIZONTAL-HANDLE TOGGLE CLAMPS

INFO+: SEE PAGE 442 FOR MATERIAL SPECIFICATIONS



Classic-design horizontal-handle clamps with open arm for spindle adjustment. Arm opens 90° while handle moves 90°. Available in three sizes.

CL-151-TC **Open Arm, Flanged Base**
 Smallest-size clamp. Accepts any #10-32 spindle and (2) CL-3166-TW flanged washers. For fixed spindle location, use a 1/4-20 spindle and a CL-1458-S bolt retainer. **INFO+**: See pages 520-524 to order. Shipping weight 0.4 lbs.

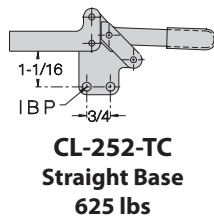
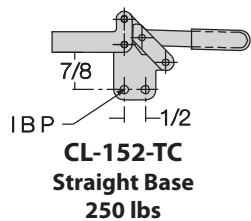
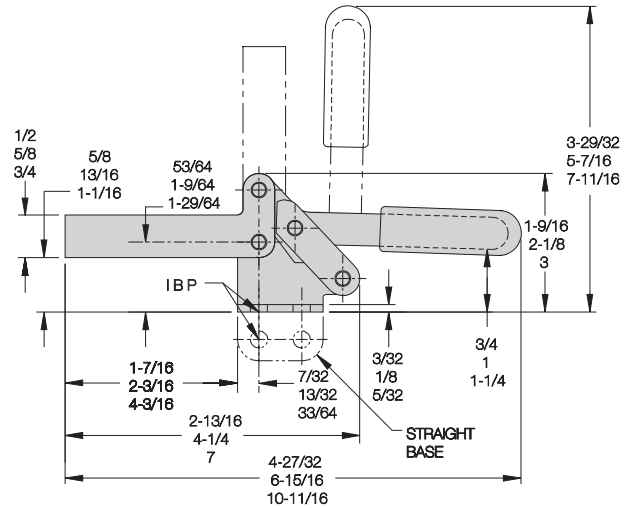
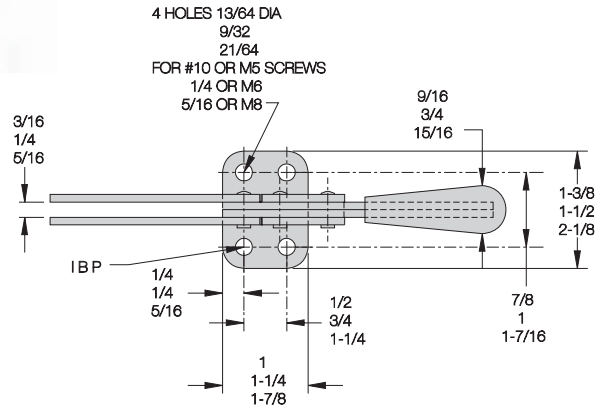
Holding capacity: **250 lbs**

CL-251-TC **Open Arm, Flanged Base**
 Medium-size clamp. Accepts any 1/4-20 spindle and (2) CL-148-TW flanged washers. For fixed spindle location, use a CL-1458-S bolt retainer. **INFO+**: See pages 520-524 to order. Shipping weight 0.5 lbs.

Holding capacity: **625 lbs**

CL-351-TC **Open Arm, Flanged Base**
 Largest-size clamp. Accepts any 5/16-18 spindle and (2) CL-51610-TW flanged washers. For fixed spindle location, use a CL-51658-S bolt retainer. **INFO+**: See pages 520-524 to order. Shipping weight 1.4 lbs.

Holding capacity: **850 lbs**



CL-151-TC (Top dimension)
CL-251-TC (Middle dimension)
CL-351-TC (Bottom dimension)

HORIZONTAL-HANDLE TOGGLE CLAMPS

INFO+: SEE PAGE 442 FOR MATERIAL SPECIFICATIONS



**375 lbs
Open Arm**



**375 lbs
Solid Arm**

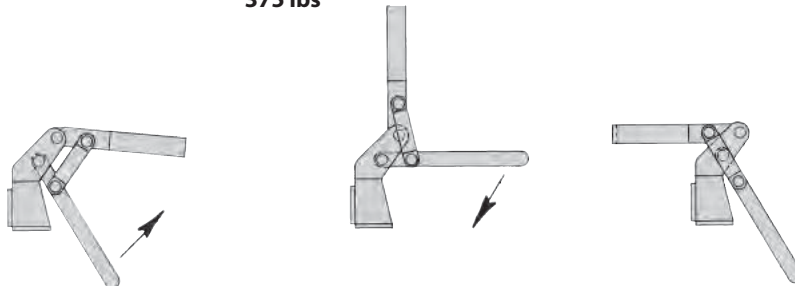
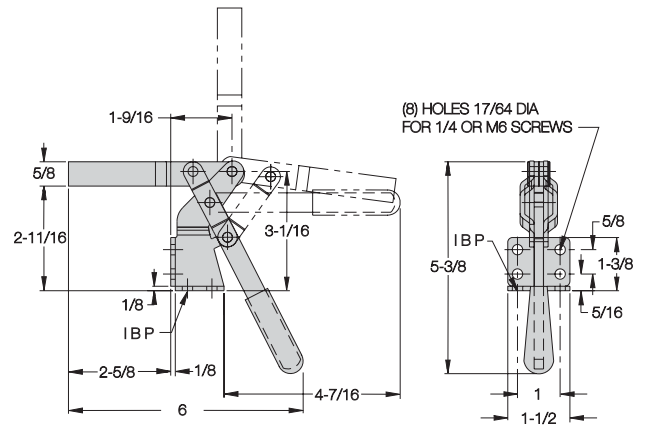
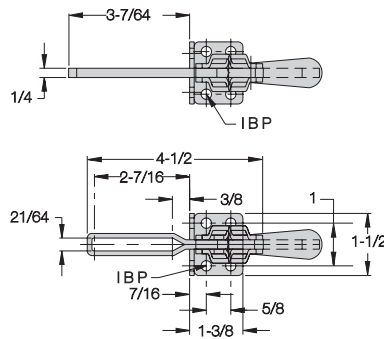
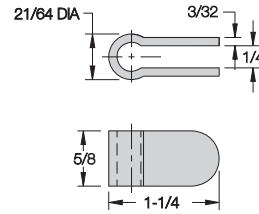
CL-375-HTC CL-475-HTC

**Solid Arm
Open Arm**

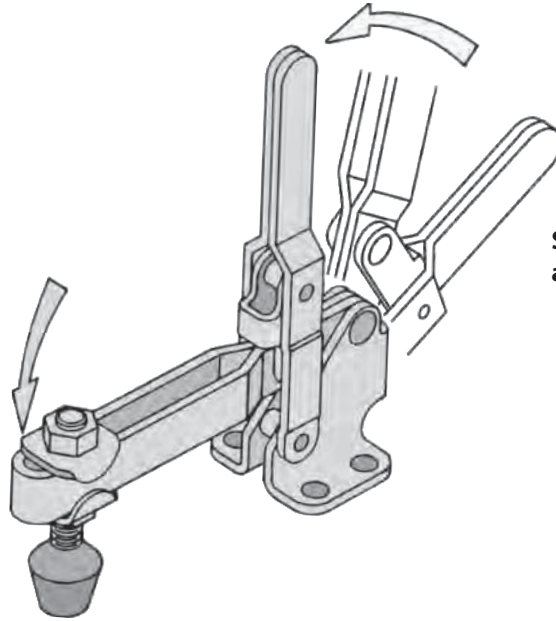
Extra-wide-opening clamp with handle that locks at a downward angle. Unique up-then-down handle motion opens arm a full 185°. Dual flanged bases allow mounting on either horizontal or vertical surfaces. Available with a solid arm, or an open arm for spindle adjustment. Accepts all 5/16-18 spindles. **INFO+**: See pages 518-521 to order. Solid-arm version supplied with a CL-518000-BR bolt retainer. Open-arm version supplied with (2) CL-51610-TW flanged washers. Shipping weight 0.8 lbs.

Holding capacity:

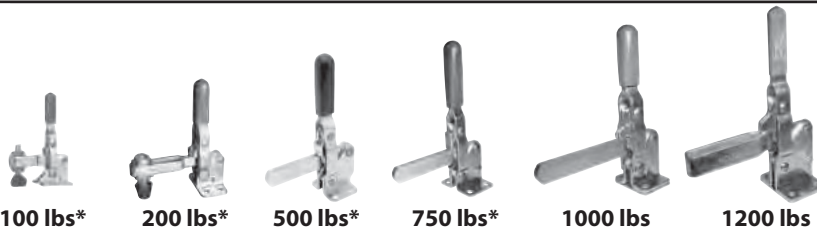
375 lbs



VERTICAL-HANDLE TOGGLE CLAMPS



Sizes marked * are also available in stainless steel



Wide Opening pp. 457-466

Clamping arm opens past 90° for excellent loading clearance. Most-popular and widest-range series of vertical-handle hold-down clamps. Choice of flanged or straight base, solid or open arm, and regular or T handle in most of the seven available sizes.



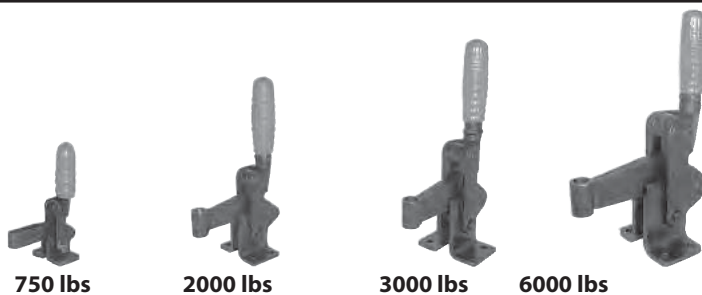
Wide Opening – Angle Arm p. 467

Clamps with arm tilted upward for increased clearance underneath. Also useful for applying clamping force at an angle. Wide-opening solid arm. Choice of flanged base or straight base. Available in two sizes.



Wide Opening Automatically Adjusting p. 469

Self-adjusting clamp automatically compensates for different workpiece heights without resetting the spindle. Clamping force is always consistent. Wide opening.



Wide Opening – Heavy-Duty pp. 470-473

Heavy-duty production clamps designed for extreme durability. Available either as complete clamps or as basic mechanisms for adding custom clamping arms or handles. Choice of four sizes.

CONTINUED ON NEXT PAGE

VERTICAL-HANDLE TOGGLE CLAMPS

CONTINUED FROM PREVIOUS PAGE



150 lbs*



350 lbs*



750 lbs*

Low Profile pp. 474-475

Extremely compact low-profile clamps with a unique finger-grip T handle. Available in three sizes.



100 lbs*



250 lbs



625 lbs



850 lbs

Low Arm pp. 476-477, 480

Simple, easy-opening clamps with excellent arm reach. Extends farther over workpiece than any clamp its size. Choice of flanged or straight base, and solid or open arm. Arm opens 83°. Available in seven sizes, the largest three forged.



1500 lbs



2500 lbs



5000 lbs



100 lbs*



250 lb



625 lbs



850 lbs

High Arm pp. 478-479, 481

Simple, easy-opening clamps with extra arm height. Choice of flanged or straight base, and solid or open arm. Arm opens 83°. Available in seven sizes, the largest three forged.



1500 lbs



2500 lbs



5000 lbs



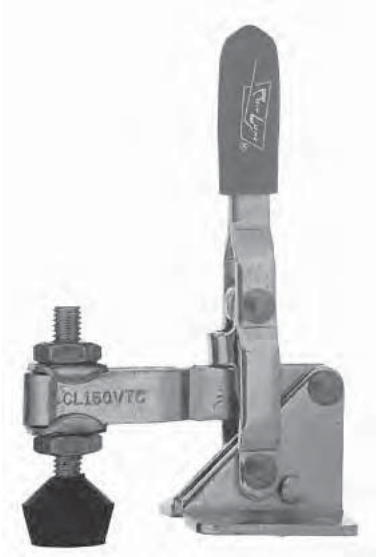
1000 lbs

Vertical Handle Cam Clamps p. 468

Wide-opening clamp that locks by spiral-cam action rather than toggle action. Solid arm, flanged base.

VERTICAL-HANDLE TOGGLE CLAMPS

INFO+: SEE PAGE 442 FOR MATERIAL SPECIFICATIONS

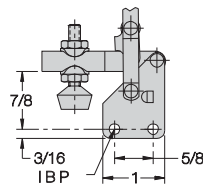
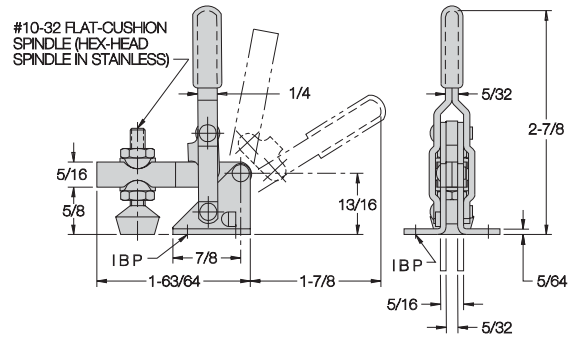
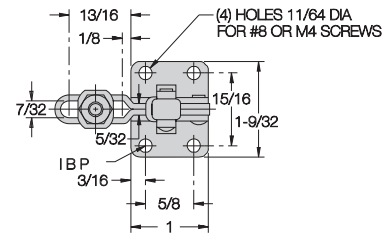


CL-150-VTC Open Arm, Flanged Base

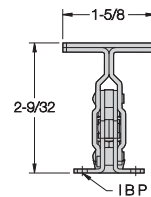
Smallest wide-opening hold-down clamp available. Open arm provides adjustable spindle location. Arm opens 100° while handle moves 56°. Supplied with #10-32 flat-cushion spindle (CL-316112-FC) and (2) CL-3166-TW flanged washers. Shipping weight 0.2 lbs.

Holding capacity:

100 lbs



CL-151-VTC Straight Base



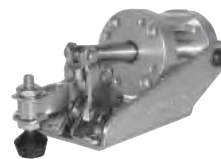
CL-152-VTC Flanged Base T Handle

Also available in stainless steel...



CL-150-VTC-S

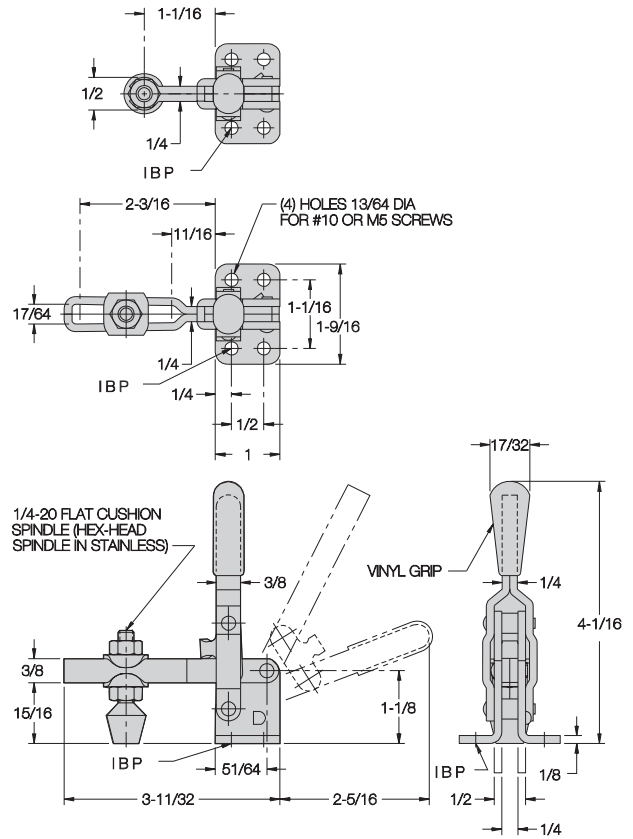
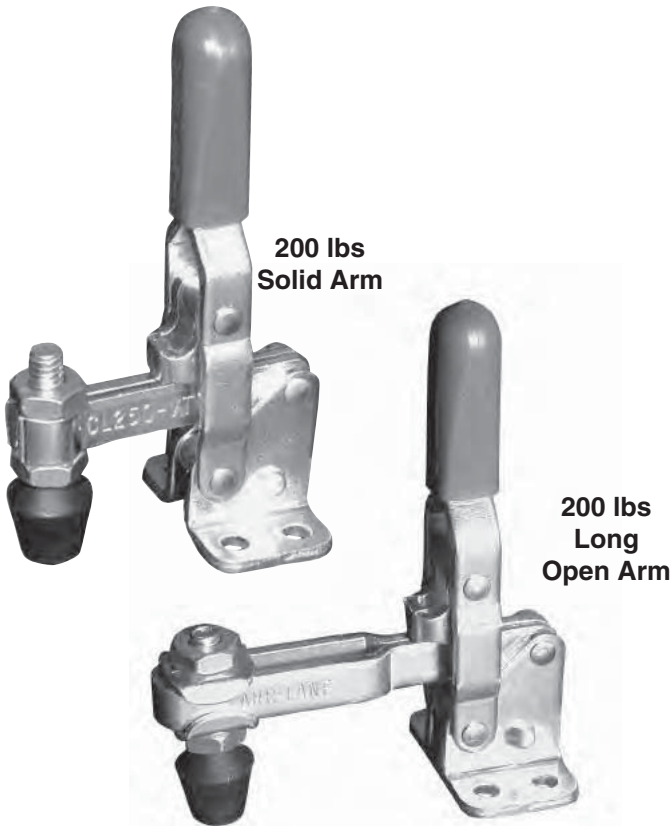
Also available air powered...



CL-400-PTC (INFO+ page 512)

VERTICAL-HANDLE TOGGLE CLAMPS

INFO+: SEE PAGE 442 FOR MATERIAL SPECIFICATIONS



CL-250-VTC Solid Arm, Flanged Base

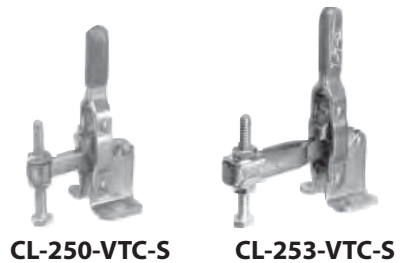
CL-253-VTC Open Arm, Flanged Base

Small-yet-powerful clamp available in several configurations. Choose either a solid arm, or a long open arm for spindle adjustment. Arm opens 117° while handle moves 69°. Supplied with 1/4-20 short flat-cushion spindle CL-14112-FC. Open-arm version supplied with (2) CL-148-TW flanged washers. Shipping weight 0.4 lbs.

Holding capacity:

200 lbs

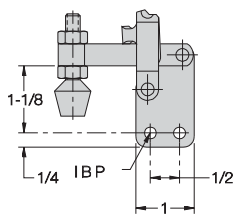
Also available in stainless steel ...



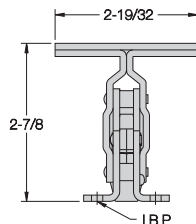
Also available air powered ...



CL-500-PTC
(INFO+ page 513)



CL-251-VTC
Solid Arm
Straight Base



CL-252-VTC
Solid Arm
Flanged Base
T Handle

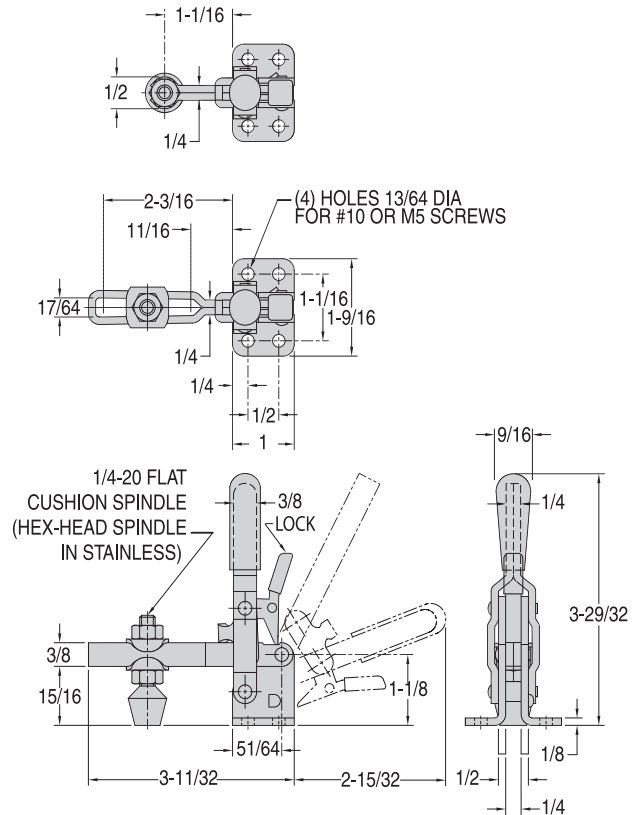
VERTICAL-HANDLE TOGGLE CLAMPS

INFO+: SEE PAGE 442 FOR MATERIAL SPECIFICATIONS

**200 lbs
Solid Arm
With Safety Lock**



**200 lbs
Long Open Arm
With Safety Lock**

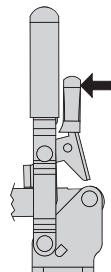


CL-250-LVTC Solid Arm, Flanged Base
CL-253-LVTC Long, Open Arm, Flanged Base

INFO+: Same as the wide-opening toggle clamps shown on page 458, except with our unique safety-lock feature. This safety lock automatically engages when the clamp is closed, then remains locked until manually disengaged by pressing the handle. This prevents the clamp from being accidentally opened by bumping the handle.

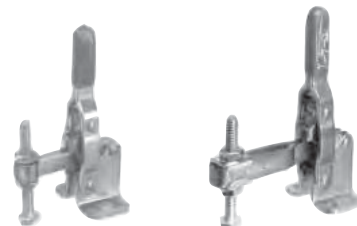
Choose either a solid arm, or a long open arm for spindle adjustment. Arm opens 117° while handle moves 69°. Supplied with 1/4-20 short flat-cushion spindle CL-14112-FC. Open-arm version supplied with (2) CL-148-TW flanged washers. Shipping weight 0.4 lbs.

Holding capacity: 200 lbs



Press Lever To Unlock

Also available in stainless steel . . .

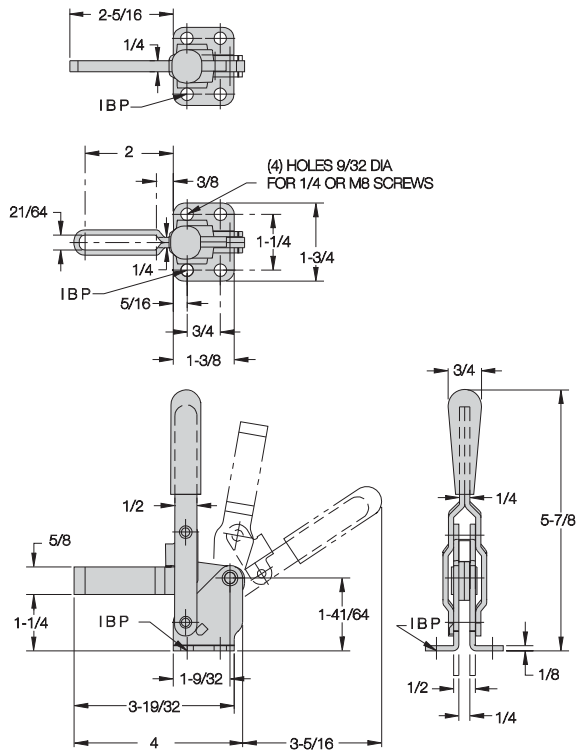


CL-250-LVTC-S

CL-253-LVTC-S

VERTICAL-HANDLE TOGGLE CLAMPS

INFO+: SEE PAGE 442 FOR MATERIAL SPECIFICATIONS



CL-350-VTC CL-450-VTC

Solid Arm, Flanged Base
Open Arm, Flanged Base

Most-popular wide-opening clamp available in many configurations. Choose either a solid arm, or an open arm for spindle adjustment (extra-long arms also available). Arm opens 100° while handle moves 60°. Accepts any 5/16-18 short spindle. **INFO+**: See pages 520-523 to order. Solid-arm versions supplied with a CL-518000-BR bolt retainer. Open-arm versions supplied with (2) CL-51610-TW flanged washers. Shipping weight 0.8 lbs.
Holding capacity: 500 lbs

Also available in stainless steel . . .



CL-450-VTC-S

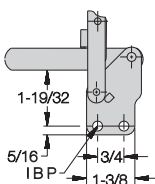
Also available air powered . . .



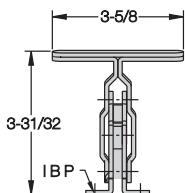
CL-1001-PTC
Solid Arm
(INFO+ page 514)



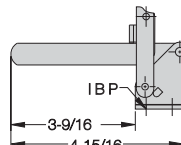
CL-1000-PTC
Open Arm
(INFO+ page 514)



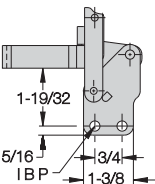
CL-351-VTC
Solid Arm
Straight Base



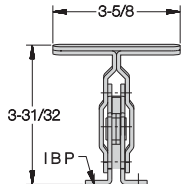
CL-352-VTC
Solid Arm
Flanged Base
T Handle



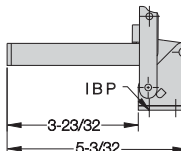
CL-353-VTC
Long Solid Arm
Flanged Base



CL-451-VTC
Open Arm
Straight Base



CL-452-VTC
Open Arm
Flanged Base
T Handle



CL-453-VTC
Long Open Arm
Flanged Base

VERTICAL-HANDLE TOGGLE CLAMPS

INFO+: SEE PAGE 442 FOR MATERIAL SPECIFICATIONS



CL-350-LVTC CL-450-LVTC

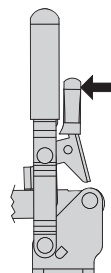
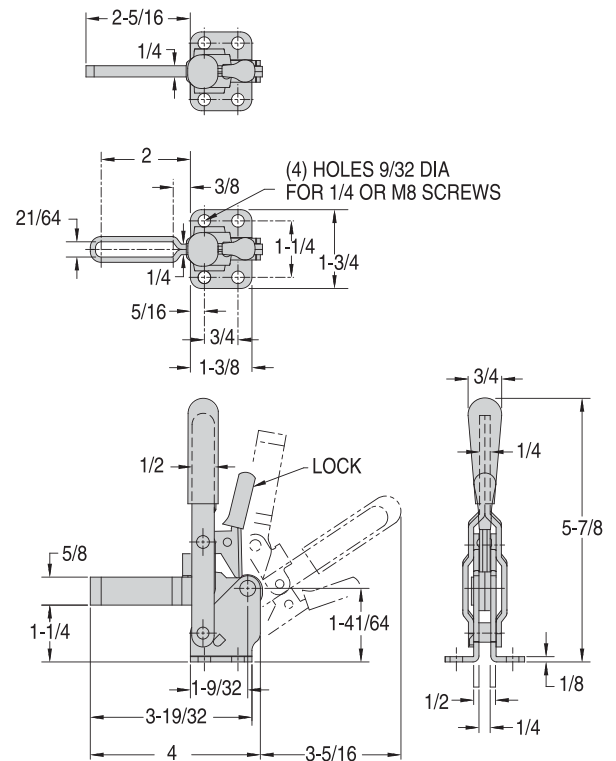
Solid Arm, Flanged Base
Open Arm, Flanged Base

INFO+: Same as the wide-opening toggle clamps shown on page 460, except with our unique safety-lock feature. This safety lock automatically engages when the clamp is closed, then remains locked until manually disengaged by pressing the handle. This prevents the clamp from being accidentally opened by bumping the handle.

Choose either a solid arm, or an open arm for spindle adjustment. Arm opens 100° while handle moves 60°. Accepts any 5/16-18 short spindle. INFO+: See pages 520-523 to order. Solid-arm version supplied with CL-518000-BR bolt retainer. Open-arm version supplied with (2) CL-51610-TW flanged washers. Shipping weight 0.9 lbs.

Holding capacity:

500 lbs



Press Lever To Unlock

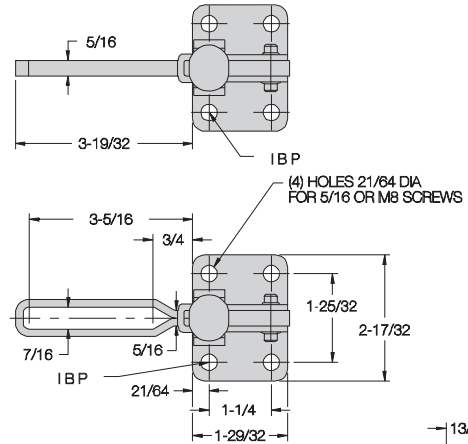
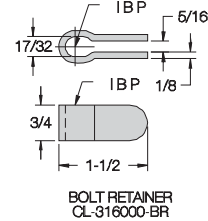
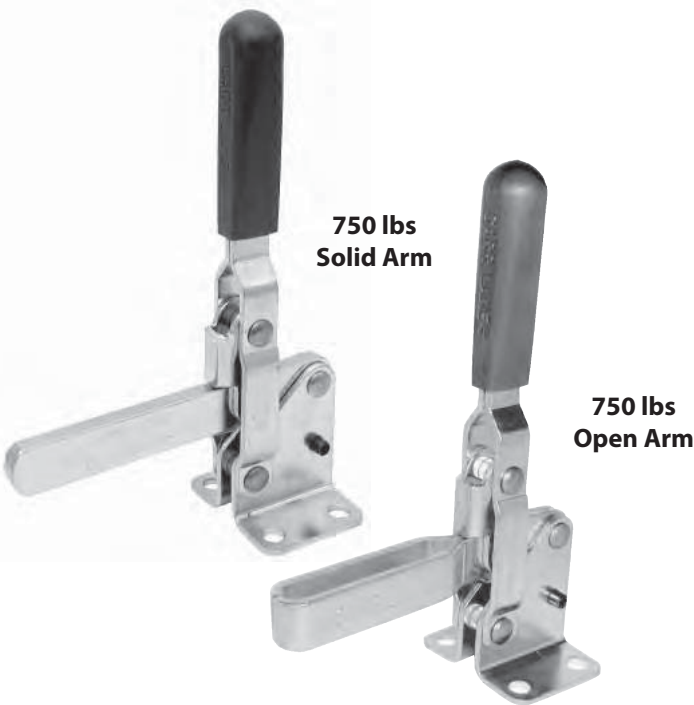
Also available
in stainless steel ...



CL-450-LVTC-S

VERTICAL-HANDLE TOGGLE CLAMPS

INFO+: SEE PAGE 442 FOR MATERIAL SPECIFICATIONS



CL-550-VTC CL-650-VTC

Solid Arm, Flanged Base
Open Arm, Flanged Base

Larger wide-opening clamp available in several configurations. Choose either a solid arm, or an open arm for spindle adjustment. Arm opens 106° while handle moves 58°. Accepts any 3/8-16 spindle. **INFO+**: See pages 520-523 to order. Solid-arm version supplied with a CL-316000-BR bolt retainer. Open-arm version supplied with (2) CL-3811-TW flanged washers. Shipping weight 1.3 lbs.

Holding capacity:

750 lbs

Also available with patented automatic adjustment!

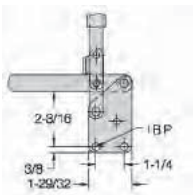
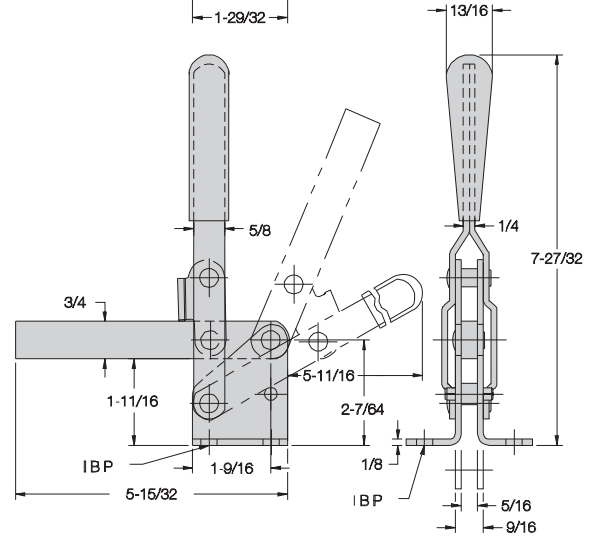


CL-650-ATC
(INFO+ page 469)

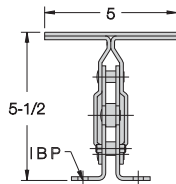
Also available in stainless steel ...



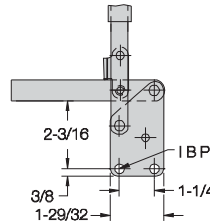
CL-650-VTC-S



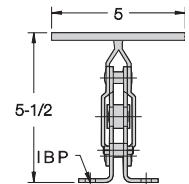
CL-551-VTC
Solid Arm
Straight Base



CL-552-VTC
Solid Arm
Flanged Base
T Handle



CL-651-VTC
Open Arm
Straight Base

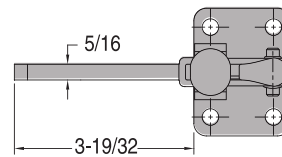
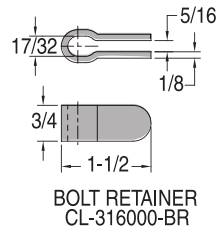
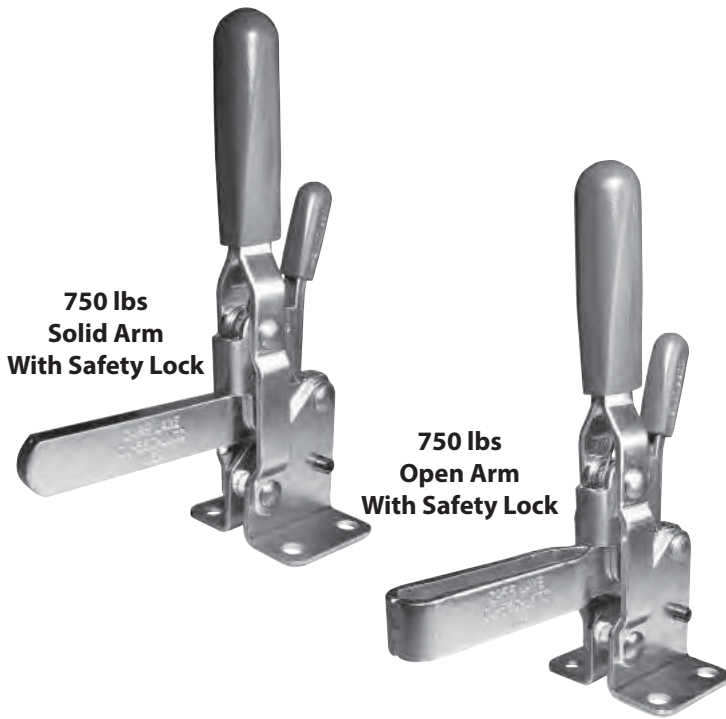


CL-652-VTC
Open Arm
Flanged Base
T Handle

11

VERTICAL-HANDLE TOGGLE CLAMPS

INFO+: SEE PAGE 442 FOR MATERIAL SPECIFICATIONS



CL-550-LVTC CL-650-LVTC

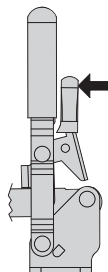
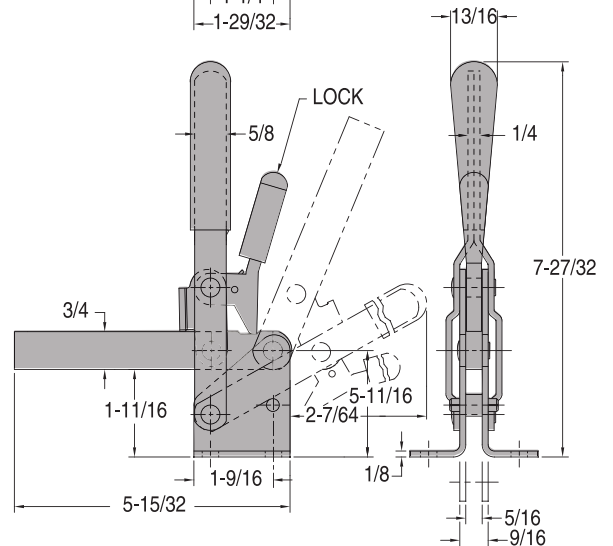
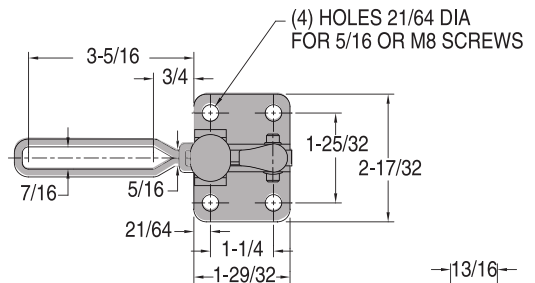
Solid Arm, Flanged Base
Open Arm, Flanged Base

INFO+: Same as the wide-opening toggle clamps shown on page 462, except with our unique safety-lock feature. This safety lock automatically engages when the clamp is closed, then remains locked until manually disengaged by pressing the handle. This prevents the clamp from being accidentally opened by bumping the handle.

Choose either a solid arm, or an open arm for spindle adjustment. Arm opens 106° while handle moves 58°. Accepts any 3/8-16 spindle. INFO+: See pages 520-523 to order. Solid-arm version supplied with CL-316000-BR bolt retainer. Open-arm version supplied with (2) CL-3811-TW flanged washers. Shipping weight 1.4 lbs.

Holding capacity:

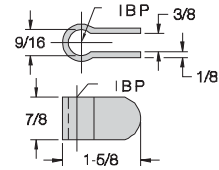
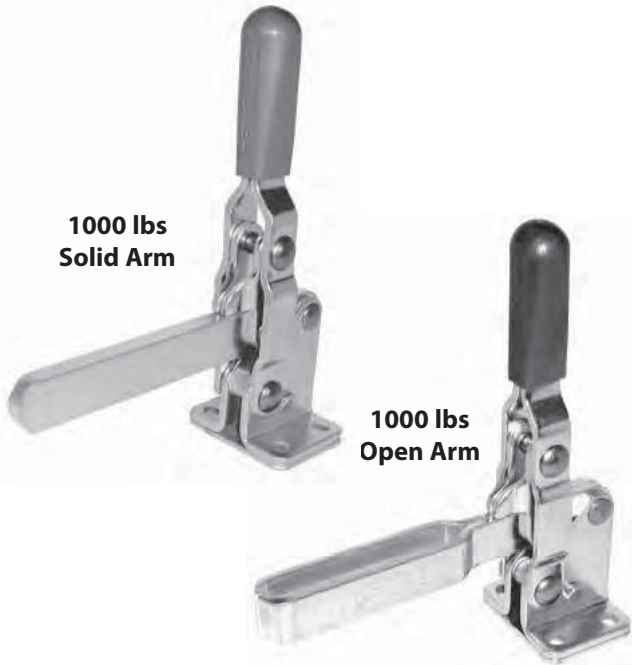
750 lbs



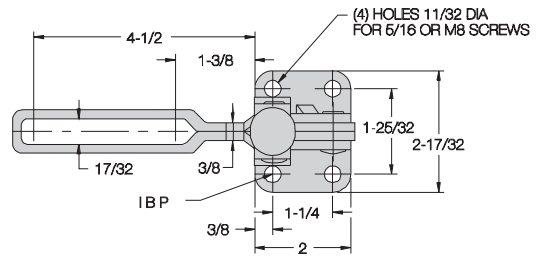
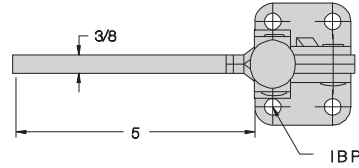
Press Lever To Unlock

VERTICAL-HANDLE TOGGLE CLAMPS

INFO+: SEE PAGE 442 FOR MATERIAL SPECIFICATIONS

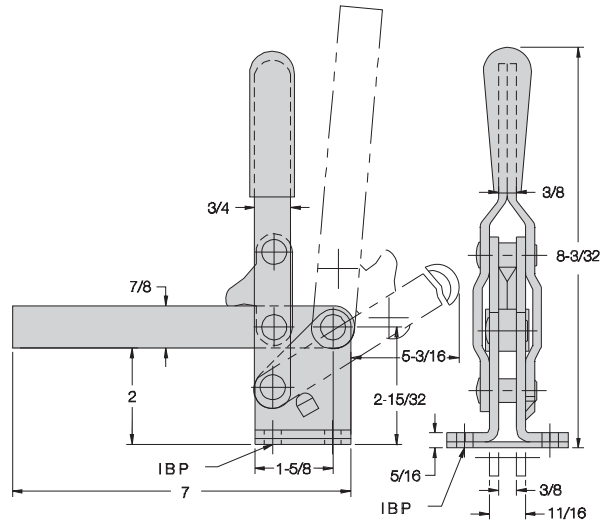


**BOLT RETAINER
CL-113000-BR**



CL-750-VTC Solid Arm, Flanged Base CL-850-VTC Open Arm, Flanged Base

Extra-large wide-opening clamp. Choose either a solid arm, or an open arm for spindle adjustment. Arm opens 120° while handle moves 67°. Accepts any 1/2-13 spindle. **INFO+**: See pages 520-523 to order. Solid-arm version supplied with a CL-113000-BR bolt retainer. Open-arm version supplied with (2) CL-1213-TW flanged washers. Shipping weight 2.5 lbs.
Holding capacity: **1000 lbs**



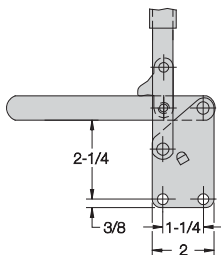
Also available air powered ...



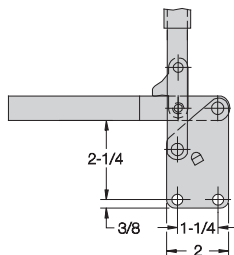
**CL-2001-PTC
Solid Arm
(INFO+ 515)**



**CL-2000-PTC
Open Arm
(INFO+ 515)**



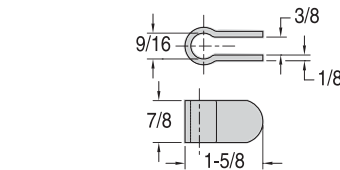
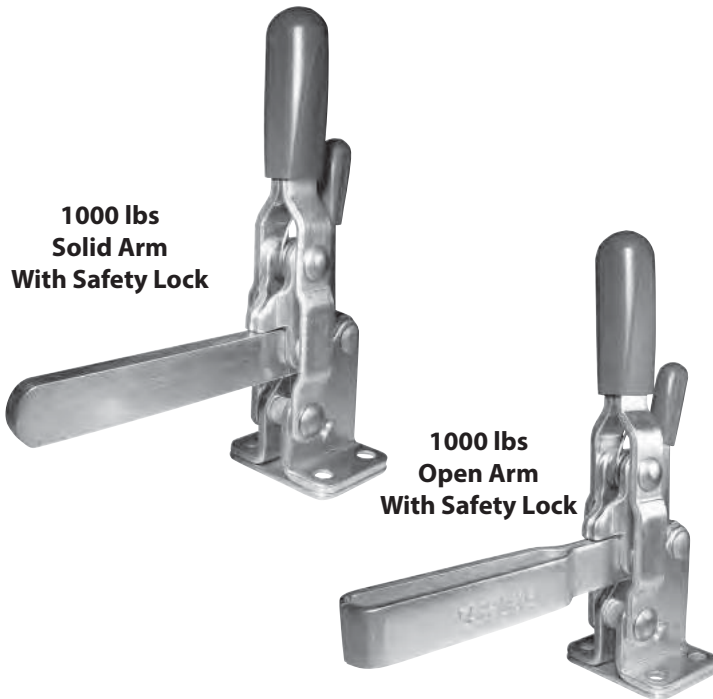
**CL-751-VTC
Solid Arm
Straight Base**



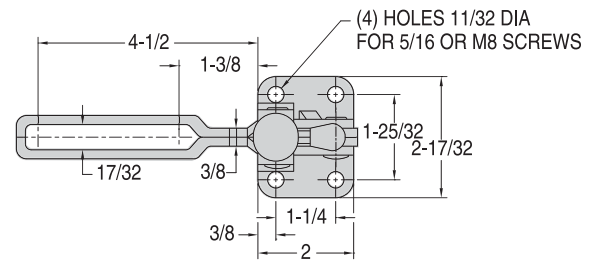
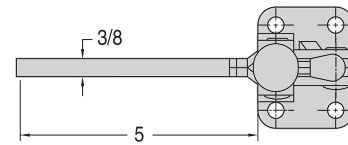
**CL-851-VTC
Open Arm
Straight Base**

VERTICAL-HANDLE TOGGLE CLAMPS

INFO+: SEE PAGE 442 FOR MATERIAL SPECIFICATIONS



CL-113000-BR



CL-750-LVTC CL-850-LVTC

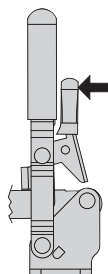
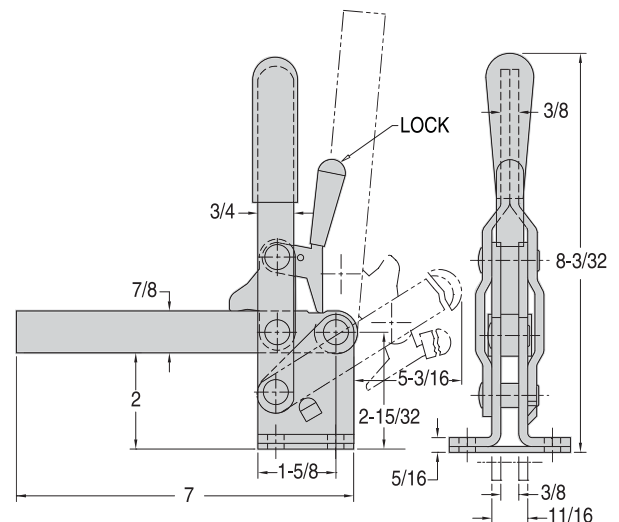
Solid Arm, Flanged Base
Open Arm, Flanged Base

INFO+: Same as the wide-opening toggle clamps shown on page 464, except with our unique safety-lock feature. This safety lock automatically engages when the clamp is closed, then remains locked until manually disengaged by pressing the handle. This prevents the clamp from being accidentally opened by bumping the handle.

Choose either a solid arm, or an open arm for spindle adjustment. Arm opens 120° while handle moves 67°. Accepts any 1/2-13 spindle.

INFO+: See pages 520-523 to order. Solid-arm version supplied with CL-113000-BR bolt retainer. Open-arm version supplied with (2) CL-1213-TW flanged washers. Shipping weight 2.5 lbs.

Holding capacity: 1000 lbs

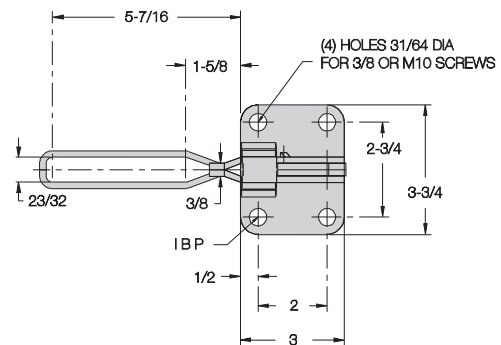
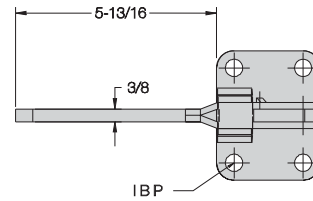
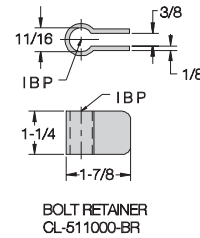
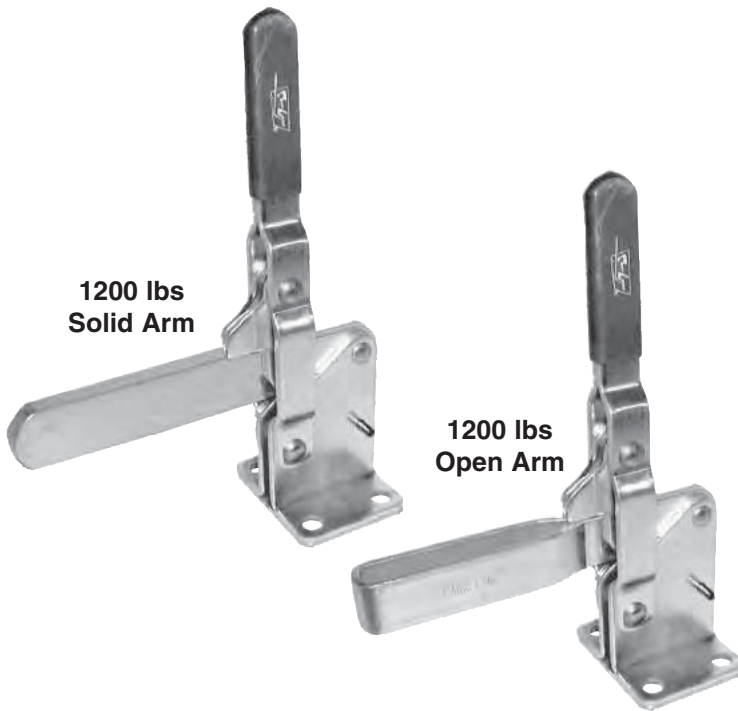


Press Lever To Unlock

11

VERTICAL-HANDLE TOGGLE CLAMPS

INFO+: SEE PAGE 442 FOR MATERIAL SPECIFICATIONS



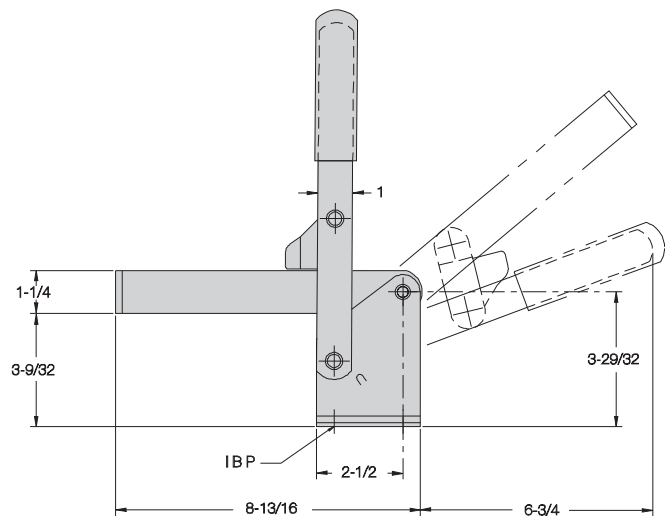
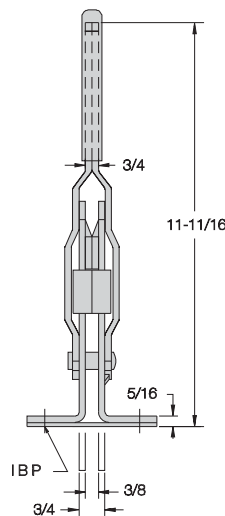
CL-950-VTC CL-1050-VTC

Solid Arm, Flanged Base
Open Arm, Flanged Base

Largest wide-opening clamp available. Choose either a solid arm, or an open arm for spindle adjustment. Arm opens 140° while handle moves 70°. Accepts any 5/8-11 spindle. **INFO+**: See pages 520-523 to order. Solid-arm version supplied with a CL-511000-BR bolt retainer. Open-arm version supplied with (2) CL-5811-TW flanged washers. Shipping weight 5.2 lbs.

Holding capacity:

1200 lbs



VERTICAL-HANDLE TOGGLE CLAMPS

INFO+: SEE PAGE 442 FOR MATERIAL SPECIFICATIONS



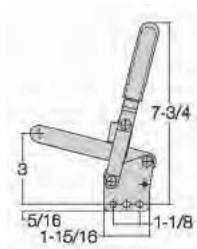
750 lbs
Angled Arm

CL-600-VTC Angled Arm, Flanged Base

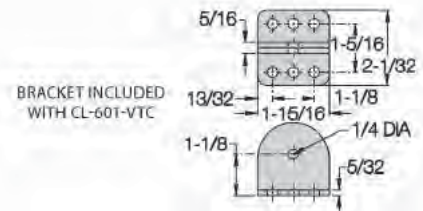
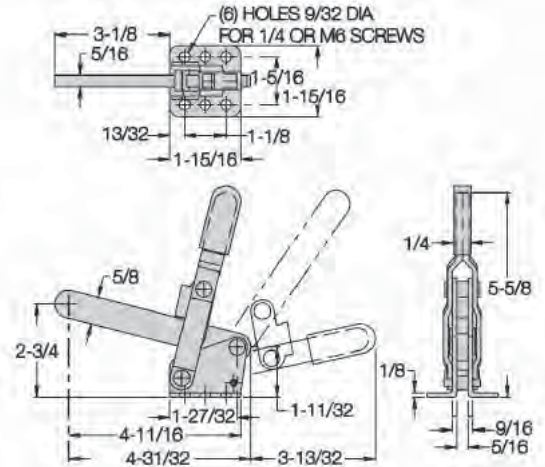
Angled-arm clamp provides increased clearance underneath arm. Also useful for applying clamping force at an angle. Solid arm opens 113° while handle moves 66°. Accepts any 3/8-16 spindle. **INFO+**: See pages 520-523 to order. Supplied with a CL-316000-BR bolt retainer. Straight-base version has a longer handle and includes a separate base to allow mounting at any angle. Shipping weight 1.0 to 1.5 lbs.

Holding capacity:

750 lbs

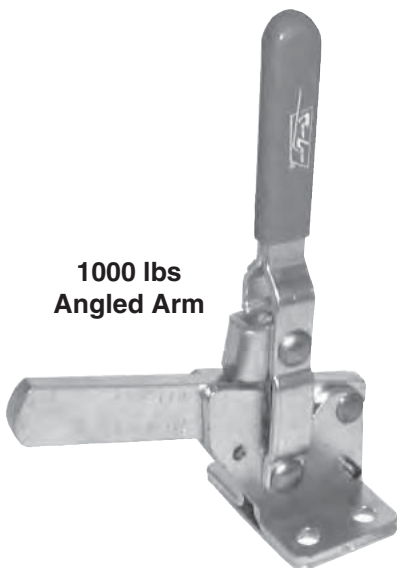


CL-601-VTC
Straight Base
with Bracket



VERTICAL-HANDLE TOGGLE CLAMPS

INFO+: SEE PAGE 442 FOR MATERIAL SPECIFICATIONS



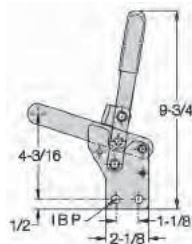
1000 lbs
Angled Arm

CL-800-VTC Angled Arm, Flanged Base

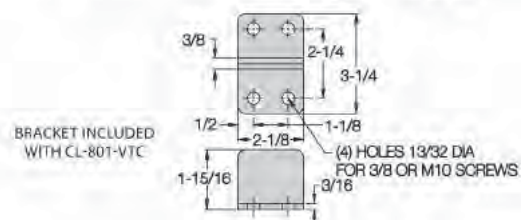
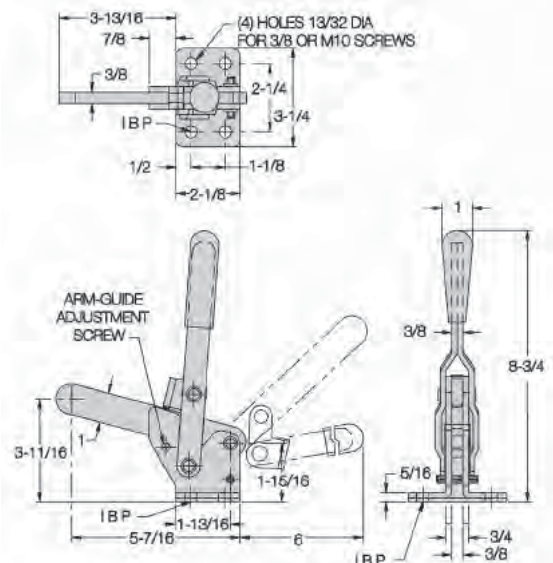
Larger-size angled-arm clamp. Solid arm opens 126° while handle moves 76°. Accepts any 5/8-11 spindle. **INFO+**: See pages 520-523 to order. Supplied with a CL-511000-BR bolt retainer. Straight-base version includes a separate base to allow mounting at any angle. Shipping weight 2.5 to 2.8 lbs.

Holding capacity:

1000 lbs



CL-801-VTC
Straight Base
with Bracket



VERTICAL-HANDLE TOGGLE CLAMPS

INFO+: SEE PAGE 442 FOR MATERIAL SPECIFICATIONS



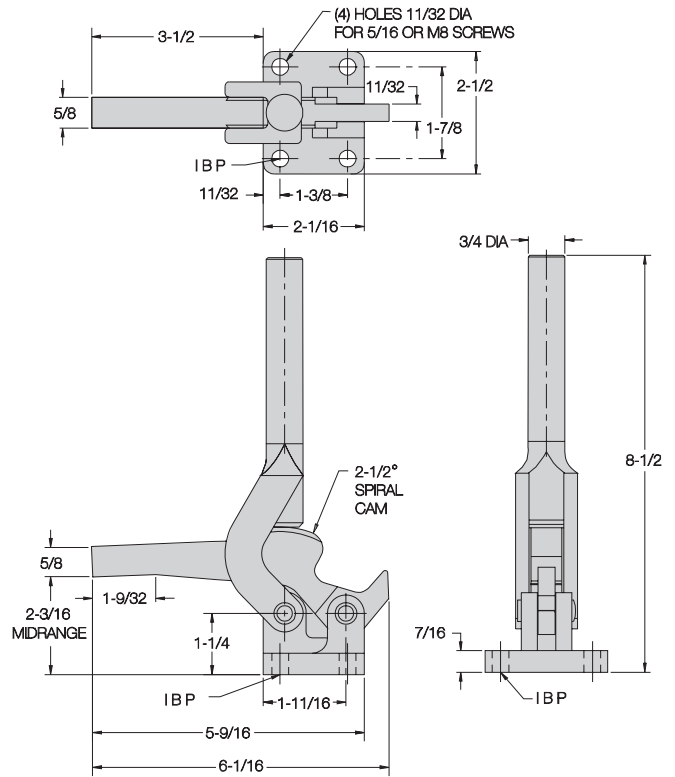
**1000 lbs
Cam Action**

CL-1000-VCC

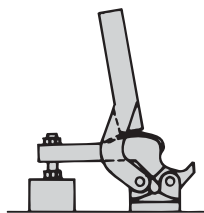
Wide-opening clamp that locks by cam action rather than toggle action. Smooth spiral cam locks securely anywhere within a 3/16-inch clamping range. Rugged cast-steel components are flame hardened at all wear points. Solid arm can be tapped to accept a spindle, or otherwise modified.

Shipping weight 2.5 lbs.

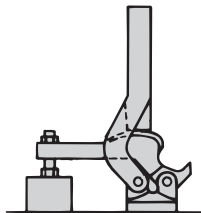
1000 lbs



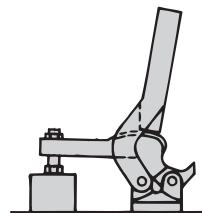
**Optional Vinyl Grip
CL-3-HVTC-G**



Low Limit



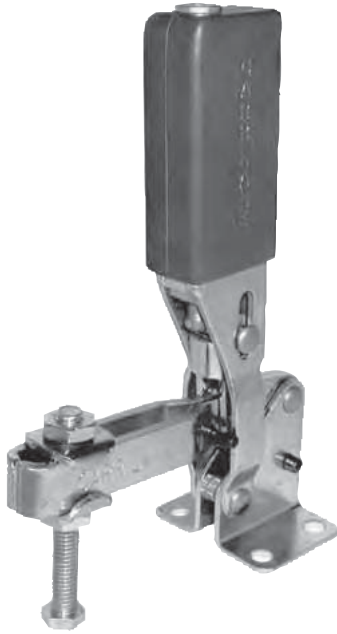
Average Setting



High Limit

VERTICAL-HANDLE TOGGLE CLAMPS

INFO+: SEE PAGE 442 FOR MATERIAL SPECIFICATIONS



**750 lbs
Automatic Toggle Clamp
(Self Adjusting)**

CL-650-ATC

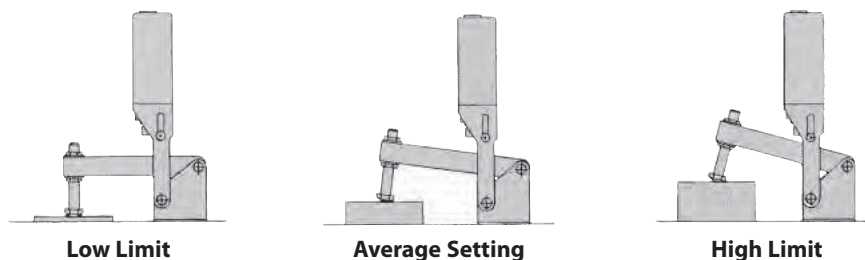
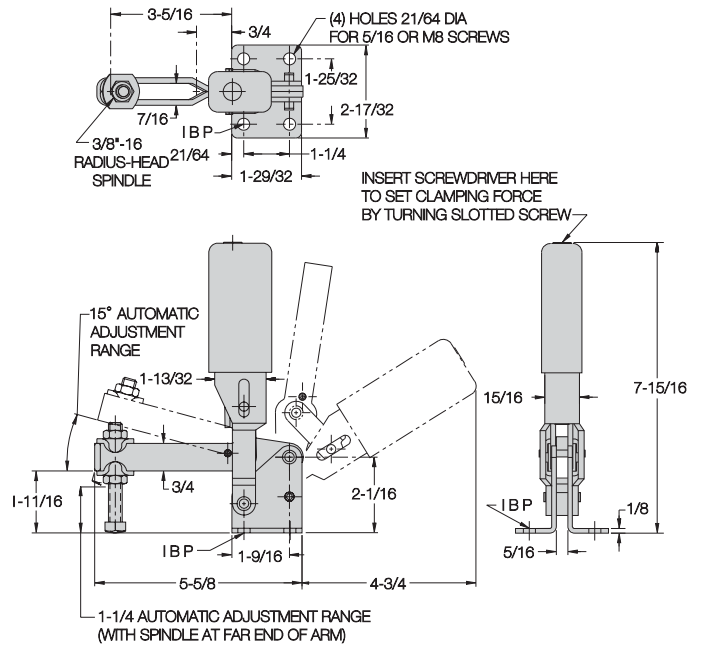
Automatically adjusts for different workpiece thicknesses! Clamps with the same force anywhere within its adjustment range (1-1/4"). Perfect for welding fixtures, machining fixtures for castings, fixtures holding several part sizes within the same family, or any other application where part size can vary.

Easy to use. To set up, simply adjust the contact spindle to the average workpiece height, and set desired clamping force. After that, operate just like a standard toggle clamp. The patented adjusting mechanism does the rest.

Clamping force is always consistent. The clamp's toggle action ensures that workpieces will remain clamped even under severe vibration. No additional spindle adjustment is ever needed. The clamp even compensates for wear in long production runs.

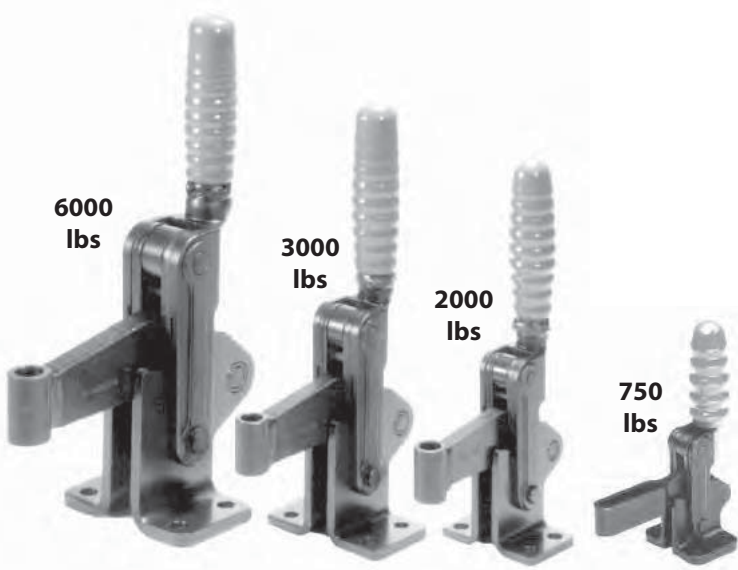
Fits in the same space, and provides the same clamping force as a standard toggle clamp. A maximum of 250 to 500 lbs clamping force (depending on spindle position) can be applied by hand. Arm opens 106° while handle moves 58°. Supplied with 3/8-16 radius spindle CL-38314-RS and (2) CL-3811-TW flanged washers. Patent no. 4,407,493. Other patents pending. Shipping weight 1.9 lbs.

Holding capacity: 750 lbs

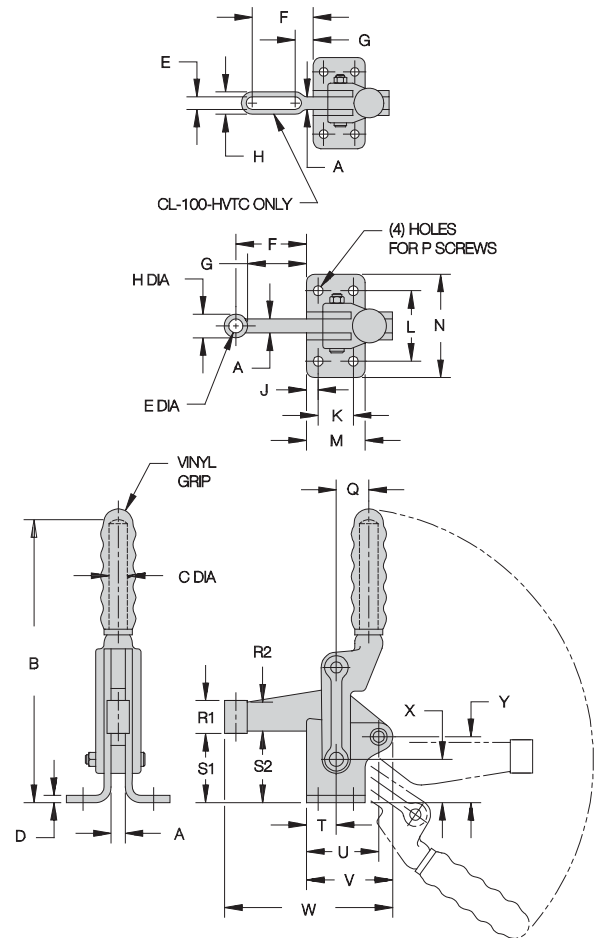


VERTICAL-HANDLE TOGGLE CLAMPS

INFO+: SEE PAGE 442 FOR MATERIAL SPECIFICATIONS



Heavy-duty automotive-type production clamps designed for extreme durability. The above configuration includes a long horizontal clamping arm with an attached bolt retainer, a vertical handle with vinyl grip, and an integral flanged base (INFO+: see pages 471-473 for other versions). Precision, close-tolerance steel components throughout provide exceptionally smooth operation. Rugged alloy steel handle fork. Guided-arm feature provides positive lateral arm support. All pivot pins are hardened and ground, running in either hardened bushings or the close-tolerance holes of hardened parts. The bottom pivot is a precision bolt which can be adjusted, if desired, to fine tune the amount of free play. These clamps are built to withstand abuse. With just occasional lubrication, they will provide extremely long service life. Black oxide finish. Available in four sizes.



CL-100-HVTC Complete Clamp, Flanged Base

Smallest of the four sizes, yet still quite powerful. Cast alloy steel base and slotted open clamping arm on this size only. Arm opens 130° while handle moves 90°. Accepts any 1/4-20 spindle. INFO+: See pages 520-523 to order. Supplied with (2) CL-148-TW flanged washers. Shipping weight 1.0 lbs.

Holding capacity: 750 lbs

CL-302-HVTC Complete Clamp, Flanged Base

Solid arm opens 180° while handle moves 120°. Accepts any 1/2-13 spindle. INFO+: See pages 520-523 to order. Shipping weight 2.8 lbs.

Holding capacity: 2000 lbs

CL-502-HVTC Complete Clamp, Flanged Base

Solid arm opens 180° while handle moves 125°. Accepts any 1/2-13 spindle. INFO+: See pages 520-523 to order. Shipping weight 4.3 lbs.

Holding capacity: 3000 lbs

CL-602-HVTC Complete Clamp, Flanged Base

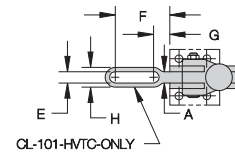
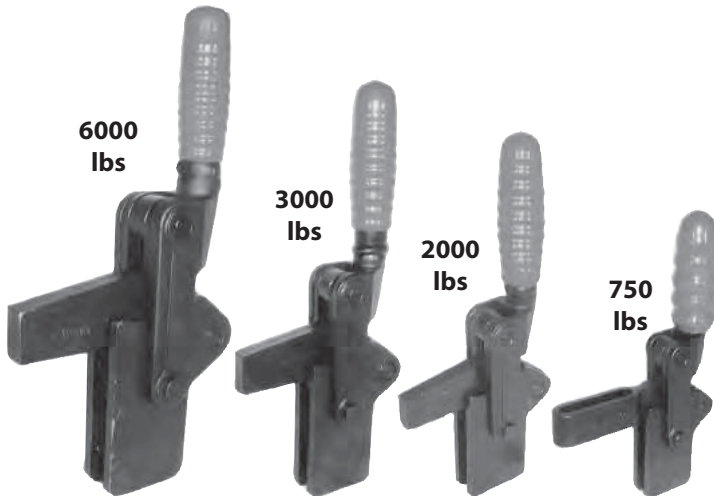
Our most-powerful hold-down toggle clamp. Solid arm opens 195° while handle moves 130°. Accepts any 5/8-11 spindle. INFO+: See pages 520-523 to order. Shipping weight 9.1 lbs.

Holding capacity: 6000 lbs

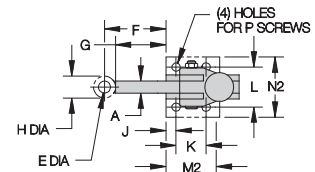
PART NO. COMPLETE CLAMP	A	B	C DIA	D	E	F	G	H	J	K	L	M	N	P	Q	R1	R2	S1	S2	T	U	V	W	X	Y
CL-100-HVTC	.236	4.45	.50	.197	.26	1.54	.35	.49	.236	.748	1.260	1.22	1.73	1/4 or M6	.55	.59	.59	.98	.98	.59	1.26	1.54	3.31	.51	.87
CL-302-HVTC	.394	8.46	.75	.197	.52	1.97	1.57	.75	.394	.984	1.969	1.77	2.64	5/16 or M8	.91	1.18	.87	1.89	1.89	.98	2.13	2.52	4.87	1.10	1.72
CL-502-HVTC	.472	9.84	.87	.236	.52	2.36	1.97	.75	.394	1.181	2.362	1.97	3.46	5/16 or M8	.98	1.18	1.02	2.28	2.32	.98	2.40	2.92	5.66	1.42	2.19
CL-602-HVTC	.630	11.61	.98	.315	.64	2.95	2.36	1.00	.472	1.575	2.953	2.48	4.13	3/8 or M10	1.38	1.50	1.26	2.76	2.95	1.57	3.31	3.98	7.43	1.81	2.76

VERTICAL-HANDLE TOGGLE CLAMPS

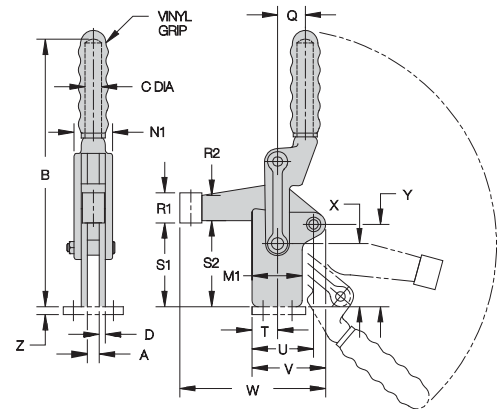
INFO+: SEE PAGE 442 FOR MATERIAL SPECIFICATIONS



CL-101-HVTC-ONLY



Heavy-duty automotive-type production clamps designed for extreme durability. The above configuration includes a long horizontal clamping arm furnished with a bolt retainer (not welded on), a vertical handle with vinyl grip, and a straight base for plate/tongue mounting at any angle (INFO+: see pages 470, 472-473 for other versions). Precision, close-tolerance steel components throughout provide exceptionally smooth operation. Rugged alloy steel handle fork. Guided-arm feature provides positive lateral arm support. All pivot pins are hardened and ground, running in either hardened bushings or the close-tolerance holes of hardened parts. The bottom pivot is a precision bolt which can be adjusted, if desired, to fine tune the amount of free play. These clamps are built to withstand abuse. With just occasional lubrication, they will provide extremely long service life. Black oxide finish. Available in four sizes.



CL-101-HVTC Complete Clamp, Straight Base

Smallest of the four sizes, yet still quite powerful. Cast alloy steel slotted open clamping arm on this size only. Arm opens 205° while handle moves 130°. Accepts any 1/4-20 spindle. INFO+: See pages 520-523 to order. Supplied with (2) CL-148-TW flanged washers. Shipping weight 0.9 lbs.

Holding capacity: 750 lbs

CL-301-HVTC Complete Clamp, Straight Base

Solid arm opens 205° while handle moves 130°. Accepts any 1/2-13 spindle. INFO+: See pages 520-523 to order. Shipping weight 2.5 lbs.

Holding capacity: 2000 lbs

CL-503-HVTC Complete Clamp, Straight Base

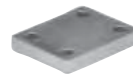
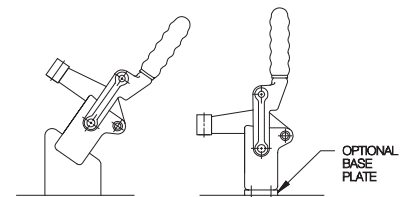
Solid arm opens 195° while handle moves 130°. Accepts any 1/2-13 spindle. INFO+: See pages 520-523 to order. Shipping weight 4.0 lbs.

Holding capacity: 3000 lbs

CL-601-HVTC Complete Clamp, Straight Base

Our most-powerful hold-down toggle clamp. Solid arm opens 195° while handle moves 130°. Accepts any 5/8-11 spindle. INFO+: See pages 520-523 to order. Shipping weight 8.3 lbs.

Holding capacity: 6000 lbs



Base Plate (order separately)

CL-1-HVTC-P (750 lbs)

CL-5-HVTC-P (3000 lbs)

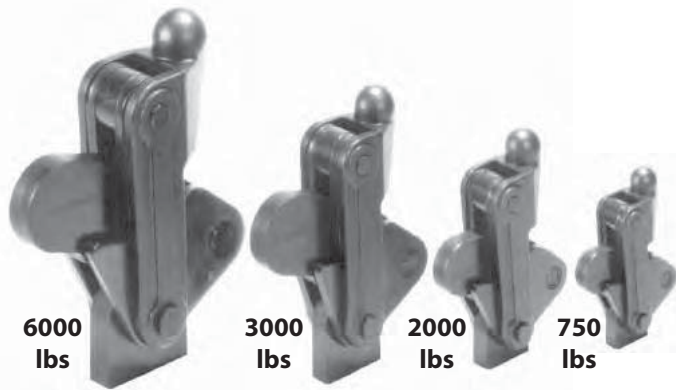
CL-3-HVTC-P (2000 lbs)

CL-6-HVTC-P (6000 lbs)

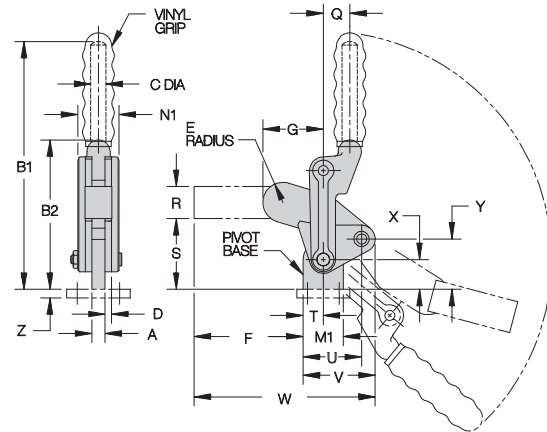
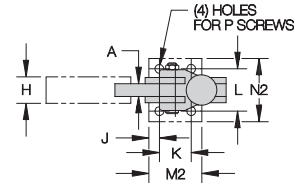
PART NO. COMPLETE CLAMP	A	B	C DIA	D	E	F	G	H	J	K	L	M1	M2	N1	N2	P	Q	R1	R2	S1	S2	T	U	V	W	X	Y	Z
CL-101-HVTC	.236	5.08	.50	.118	.26	1.54	.35	.49	.236	.748	1.260	1.06	1.10	.79	1.73	#10 or M5	.55	.59	.59	1.61	1.61	.59	1.26	1.54	3.31	1.14	1.50	.236
CL-301-HVTC	.394	9.25	.75	.197	.52	1.97	1.57	.75	.295	.984	1.378	1.77	1.57	1.26	1.97	1/4 or M6	.91	1.18	.87	2.76	2.76	.98	2.13	2.52	4.87	1.97	2.59	.315
CL-503-HVTC	.472	10.87	.87	.236	.52	2.36	1.97	.75	.394	1.181	1.575	1.97	1.97	1.50	2.36	5/16 or M8	.98	1.18	1.02	3.35	3.39	.98	2.40	2.92	5.66	2.48	3.25	.315
CL-601-HVTC	.630	12.60	.98	.315	.64	2.95	2.36	1.00	.394	1.772	1.969	2.48	2.56	1.97	2.76	5/16 or M8	1.38	1.50	1.26	3.94	4.13	1.57	3.31	3.98	7.43	2.99	3.94	.315

VERTICAL-HANDLE TOGGLE CLAMPS

INFO+: SEE PAGE 442 FOR MATERIAL SPECIFICATIONS



Heavy-duty automotive-type production clamps designed for extreme durability. The above configuration is a basic toggle mechanism onto which an arm and handle can be welded at any desired angle (INFO+: see pages 470-471, and 473 for other versions). The pivot base must be welded to both the clamp mechanism and the fixture, or the optional base plate, after setting the clamp at the proper angle. Precision, close-tolerance steel components throughout provide exceptionally smooth operation. Rugged alloy steel handle fork. Guided-arm feature provides positive lateral arm support. All pivot pins are hardened and ground, running in either hardened bushings or the close-tolerance holes of hardened parts. The bottom pivot is a precision bolt which can be adjusted, if desired, to fine tune the amount of free play. These clamps are built to withstand abuse. With just occasional lubrication, they will provide extremely long service life. Black oxide finish. Available in four sizes.



CL-110-HVTC

Basic Mechanism, Pivot Base

Smallest of the four sizes, yet still quite powerful. Arm opens 205° while handle moves 130°. Shipping weight 0.6 lbs. To order basic mechanism without the pivot base, specify part no. CL-120-HVTC.

Holding capacity:

750 lbs

CL-310-HVTC

Basic Mechanism, Pivot Base

Arm opens 205° while handle moves 130°. Shipping weight 1.6 lbs. To order basic mechanism without the pivot base, specify part no. CL-320-HVTC.

Holding capacity:

2000 lbs

CL-510-HVTC

Basic Mechanism, Pivot Base

Arm opens 195° while handle moves 130°. Shipping weight 2.9 lbs. To order basic mechanism without the pivot base, specify part no. CL-520-HVTC.

Holding capacity:

3000 lbs

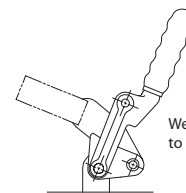
CL-610-HVTC

Basic Mechanism, Pivot Base

Our most-powerful hold-down toggle clamp. Arm opens 195° while handle moves 130°. Shipping weight 6.4 lbs. To order basic mechanism without the pivot base, specify part no. CL-620-HVTC.

Holding capacity:

6000 lbs



Weld clamp mechanism to pivot base at any desired angle.



Clamping Arm
(order separately)



Base Plate
(order separately)



Handle
(order separately)



Vinyl Grip
(order separately)

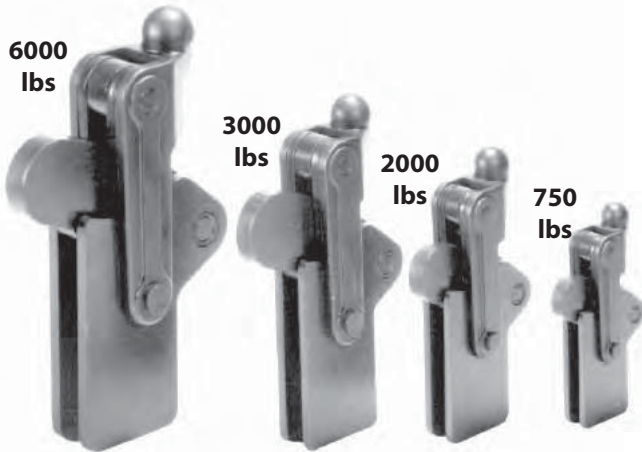
ACCESSORIES

CLAMP SIZE	PART NO. CLAMPING ARM	PART NO. BASE PLATE	PART NO. HANDLE	PART NO. VINYL GRIP
750 lbs	CL-1-HVTC-A	CL-1-HVTC-P	CL-1-HVTC-H	CL-1-HVTC-G
2000 lbs	CL-3-HVTC-A	CL-3-HVTC-P	CL-3-HVTC-H	CL-3-HVTC-G
3000 lbs	CL-5-HVTC-A	CL-5-HVTC-P	CL-5-HVTC-H	CL-5-HVTC-G
6000 lbs	CL-6-HVTC-A	CL-6-HVTC-P	CL-6-HVTC-H	CL-6-HVTC-G

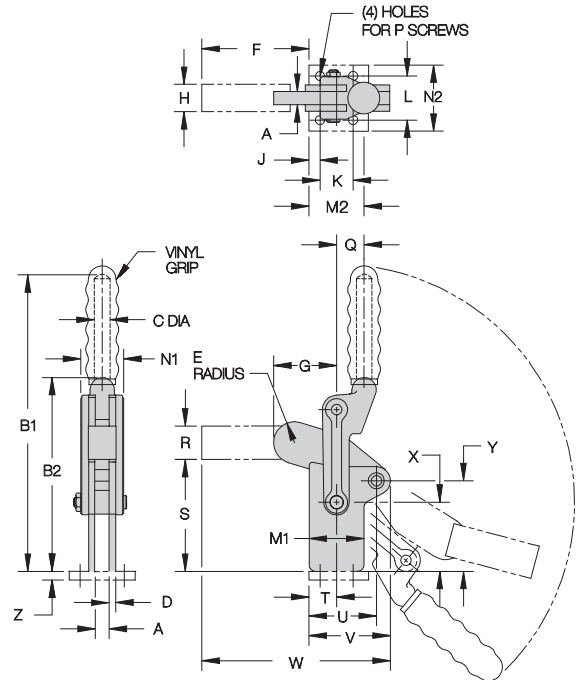
PART NO. BASIC MECHANISM	A	B1	B2	C DIA	D	E	F	G	H	J	K	L	M1	M2	N1	N2	P	Q	R	S	T	U	V	W	X	Y	Z
CL-110-HVTC	.236	4.33	2.60	.50	.118	.39	2.76	1.14	.472	.197	.709	.984	.71	1.10	.79	1.38	#10 or M5	.55	.630	.94	.35	1.02	1.30	4.06	.39	.75	.236
CL-310-HVTC	.394	8.07	4.49	.75	.197	.55	2.97	1.57	.787	.295	.984	1.378	1.14	1.57	1.26	1.97	1/4 or M6	.91	.984	1.79	.57	1.71	2.11	5.08	.79	1.41	.315
CL-510-HVTC	.472	9.49	5.47	.87	.236	.75	4.06	2.24	.984	.394	1.181	1.575	1.50	1.97	1.54	2.36	5/16 or M8	.98	1.181	2.64	.75	2.17	2.68	6.74	1.10	1.87	.315
CL-610-HVTC	.630	10.91	6.97	.98	.315	.87	5.16	2.83	1.181	.394	1.772	1.969	2.05	2.56	1.97	2.76	5/16 or M8	1.38	1.378	3.33	1.02	2.74	3.43	8.59	1.30	2.24	.315

VERTICAL-HANDLE TOGGLE CLAMPS

INFO+: SEE PAGE 442 FOR MATERIAL SPECIFICATIONS



Heavy-duty automotive-type production clamps designed for extreme durability. The above configuration is a basic toggle mechanism onto which an arm and handle can be welded at any desired angle (INFO+: see pages 470-472 for other versions). The straight base is ideal for plate/tongue mounting at any angle. Alternatively, the optional base plate can be attached to construct a tall flanged-base clamp. Precision, close-tolerance steel components throughout provide exceptionally smooth operation. Rugged alloy steel handle fork. Guided-arm feature provides positive lateral arm support. All pivot pins are hardened and ground, running in either hardened bushings or the close-tolerance holes of hardened parts. The bottom pivot is a precision bolt which can be adjusted, if desired, to fine tune the amount of free play. These clamps are built to withstand abuse. With just occasional lubrication, they will provide extremely long service life. Black oxide finish. Available in four sizes.



CL-111-HVTC Basic Mechanism, Straight Base

Smallest of the four sizes, yet still quite powerful. Arm opens 205° while handle moves 130°. Shipping weight 0.8 lbs.

Holding capacity: 750 lbs

CL-311-HVTC Basic Mechanism, Straight Base

Arm opens 205° while handle moves 130°. Shipping weight 1.8 lbs.

Holding capacity: 2000 lbs

CL-511-HVTC Basic Mechanism, Straight Base

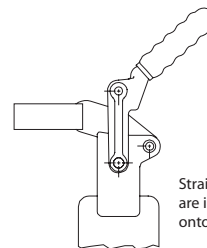
Arm opens 195° while handle moves 130°. Shipping weight 3.2 lbs.

Holding capacity: 3000 lbs

CL-611-HVTC Basic Mechanism, Straight Base

Our most-powerful hold-down toggle clamp. Arm opens 195° while handle moves 130°. Shipping weight 7.1 lbs.

Holding capacity: 6000 lbs



Straight-base clamps are ideal for welding onto plates.



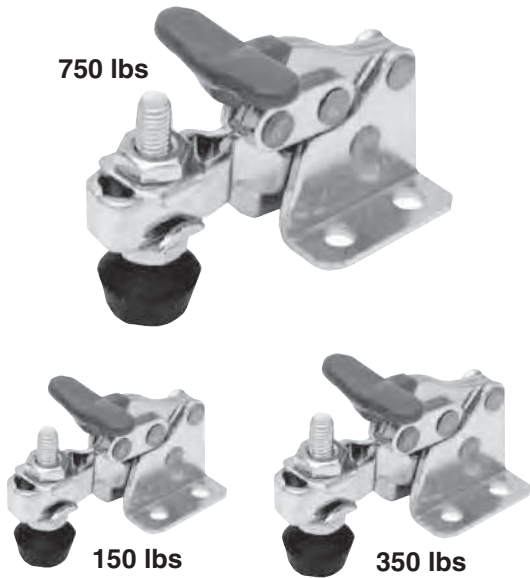
ACCESSORIES

CLAMP SIZE	PART NO. CLAMPING ARM	PART NO. BASE PLATE	PART NO. HANDLE	PART NO. VINYL GRIP
750 lbs	CL-1-HVTC-A	CL-1-HVTC-P	CL-1-HVTC-H	CL-1-HVTC-G
2000 lbs	CL-3-HVTC-A	CL-3-HVTC-P	CL-3-HVTC-H	CL-3-HVTC-G
3000 lbs	CL-5-HVTC-A	CL-5-HVTC-P	CL-5-HVTC-H	CL-5-HVTC-G
6000 lbs	CL-6-HVTC-A	CL-6-HVTC-P	CL-6-HVTC-H	CL-6-HVTC-G

PART NO. BASIC MECHANISM	A	B1	B2	C DIA	D	E	F	G	H	J	K	L	M1	M2	N1	N2	P	Q	R	S	T	U	V	W	X	Y	Z
CL-111-HVTC	.236	5.08	3.39	.50	.118	.39	2.52	1.14	.472	.197	.709	.984	1.06	1.10	.79	1.38	#10 or M5	.55	.630	1.73	.59	1.26	1.54	4.06	1.18	1.54	.236
CL-311-HVTC	.394	9.25	5.67	.75	.197	.55	2.56	1.57	.787	.295	.984	1.378	1.77	1.57	1.26	1.97	1/4 or M6	.91	.984	2.97	.98	2.13	2.52	5.08	1.97	2.59	.315
CL-511-HVTC	.472	10.87	6.97	.87	.236	.75	3.82	2.24	.984	.394	1.181	1.575	1.97	1.97	1.50	2.36	5/16 or M8	.98	1.181	4.02	.98	2.40	2.92	6.74	2.48	3.25	.315
CL-611-HVTC	.630	12.60	8.66	.98	.315	.87	4.61	2.83	1.181	.394	1.772	1.969	2.48	2.56	1.97	2.76	5/16 or M8	1.38	1.378	5.02	1.57	3.31	3.98	8.59	2.99	3.94	.315

VERTICAL-HANDLE TOGGLE CLAMPS

INFO+: SEE PAGE 442 FOR MATERIAL SPECIFICATIONS



Hold-down toggle clamp with a unique finger-grip T handle. Extremely compact design. Open arm provides adjustable spindle location. Arm opens 92° while handle moves 175°.

CL-200-VTC

Miniature-size T-handle clamp. Supplied with #10-32 flat-cushion spindle CL-316112-FC and (2) CL-3166-TW flanged washers. Shipping weight 0.2 lbs.

Holding capacity: 150 lbs

CL-300-VTC

Medium-size T-handle clamp. Supplied with 5/16-18 flat-cushion spindle CL-518208-FC and (2) CL-51610-TW flanged washers. Shipping weight 0.6 lbs.

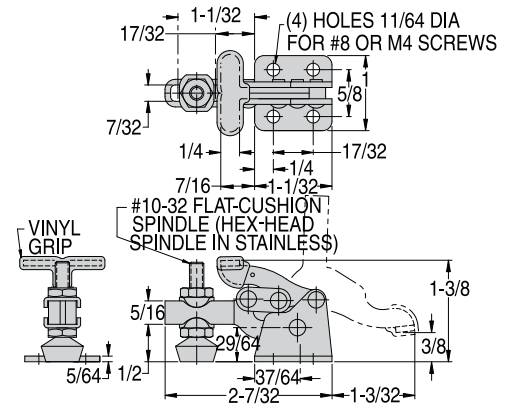
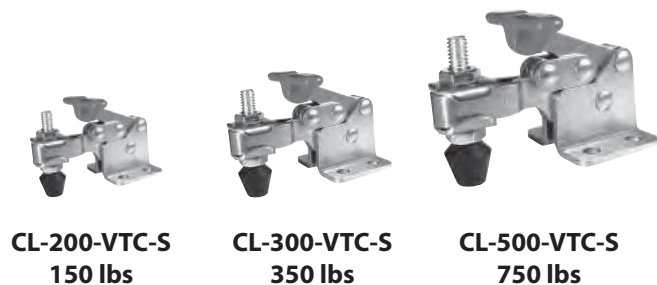
Holding capacity: 350 lbs

CL-500-VTC

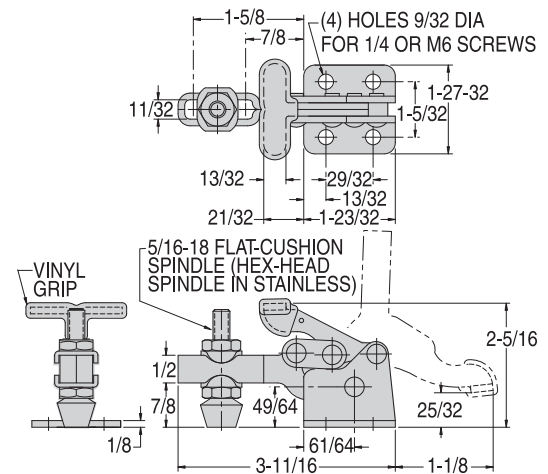
Large-size T-handle clamp. Supplied with 3/8-16 flat-cushion spindle CL-38212-FC and (2) CL-3811-TW flanged washers. Shipping weight 1.3 lbs.

Holding capacity: 750 lbs

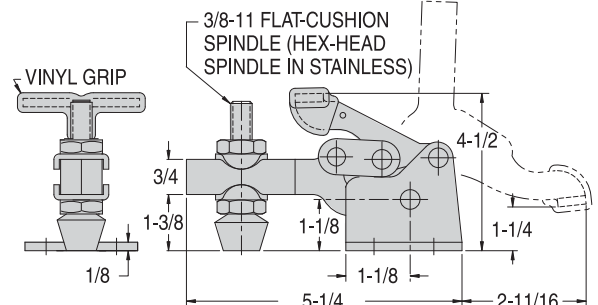
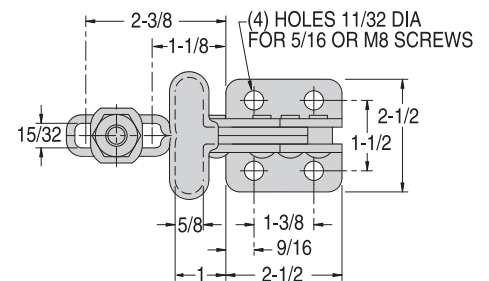
Also available in stainless steel...



CL-200-VTC



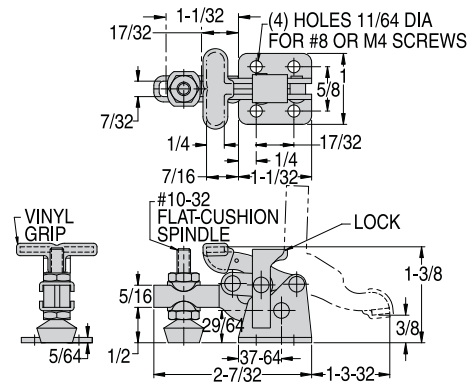
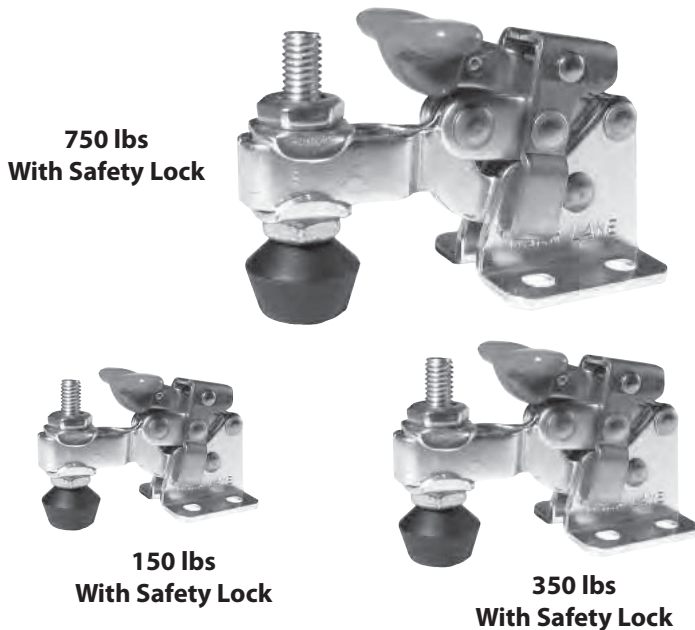
CL-300-VTC



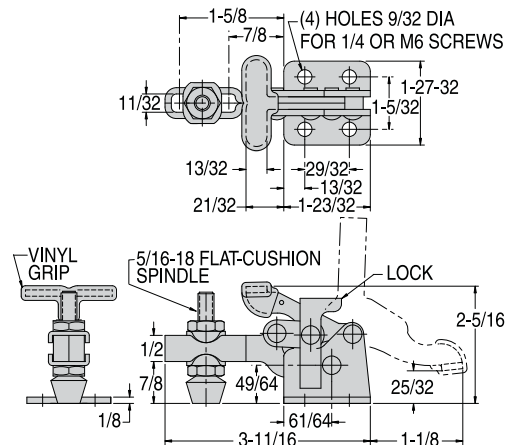
CL-500-VTC

VERTICAL-HANDLE TOGGLE CLAMPS

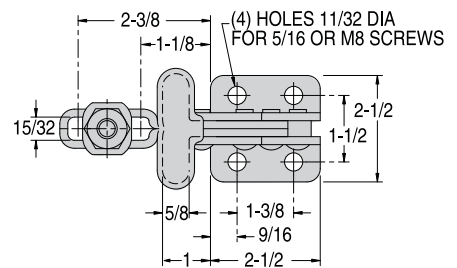
INFO+: SEE PAGE 442 FOR MATERIAL SPECIFICATIONS



CL-200-LVTC



CL-300-LVTC



CL-500-LVTC

INFO+: Same as our hold-down toggle clamps on page 474, except with our unique safety-lock feature. This safety lock automatically engages when the clamp is closed, then remains locked until manually disengaged by pressing the lever before opening. This prevents the clamp from being accidentally opened by bumping the handle. This clamp has a unique finger-grip T handle. Extremely compact design. Open arm provides adjustable spindle location. Arm opens 92° while handle moves 175°.

CL-200-LVTC

Miniature-size T-handle clamp. Supplied with #10-32 flat-cushion spindle CL-316112-FC and (2) CL-3166-TW flanged washers. Shipping weight 0.2 lbs.

Holding capacity: 150 lbs

CL-300-LVTC

Medium-size T-handle clamp. Supplied with 5/16-18 flat-cushion spindle CL-518208-FC and (2) CL-51610-TW flanged washers. Shipping weight 0.6 lbs.

Holding capacity: 350 lbs

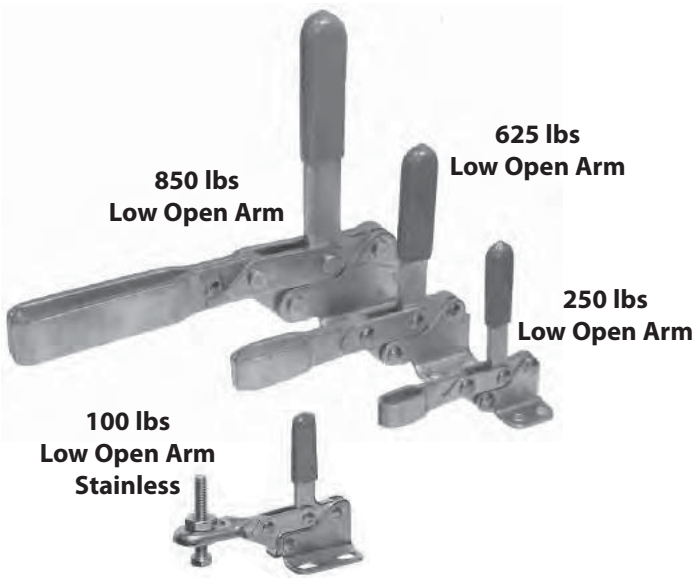
CL-500-LVTC

Large-size T-handle clamp. Supplied with 3/8-16 flat-cushion spindle CL-38212-FC and (2) CL-3811-TW flanged washers. Shipping weight 1.3 lbs.

Holding capacity: 750 lbs

VERTICAL-HANDLE TOGGLE CLAMPS

INFO+: SEE PAGE 442 FOR MATERIAL SPECIFICATIONS



Simple, easy-opening clamps with excellent arm reach, extending farther over workpiece than any other clamps their size. Open arm allows spindle adjustment (INFO+: see p. 477 for solid-arm version). Arm opens 83° while handle moves 83°. Available in four sizes.

CL-11-TC Low Open Arm, Flanged Base

Miniature clamp in stainless steel. Supplied with #8-32 hex-head spindle CL-832203-SA-S. Shipping weight 0.1 lbs.

Holding capacity: 100 lbs

CL-111-TC Low Open Arm, Flanged Base

Small-size clamp. Accepts any 1/4-20 spindle and (2) CL-147-TW flanged washers. INFO+: See pages 520-523 to order. Shipping weight 0.3 lbs.

Holding capacity: 250 lbs

CL-211-TC Low Open Arm, Flanged Base

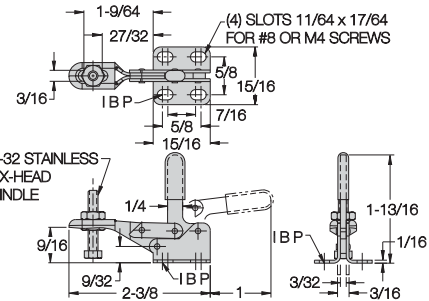
Medium-size clamp. Accepts any 5/16-18 spindle and (2) CL-51610-TW flanged washers. INFO+: See pages 520-523 to order. Shipping weight 0.5 lbs.

Holding capacity: 625 lbs

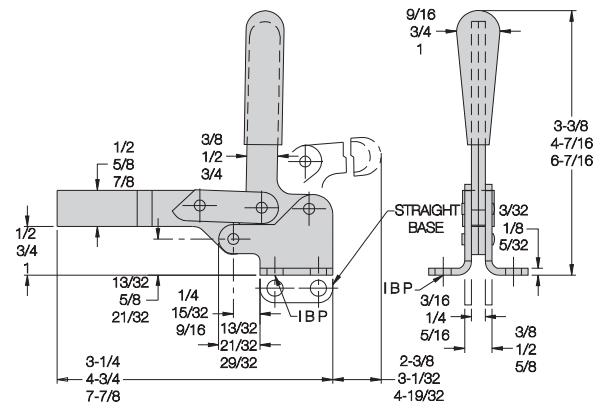
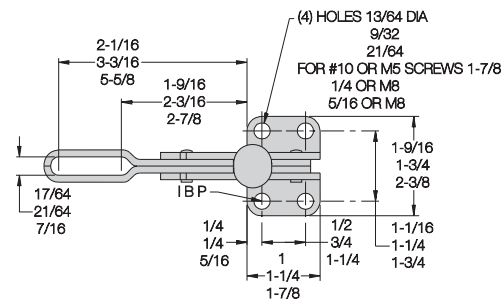
CL-311-TC Low Open Arm, Flanged Base

Large-size clamp. Arm extends a full 6 inches over workpiece. Accepts any 3/8-16 spindle and (2) CL-3811-TW flanged washers. INFO+: See pages 520-523 to order. Shipping weight 1.4 lbs.

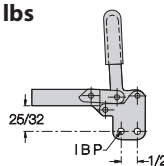
Holding capacity: 850 lbs



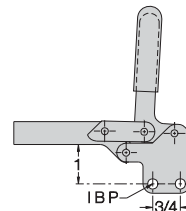
CL-11-TC



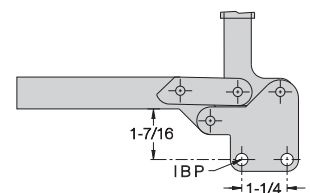
CL-111-TC (Top dimension)
CL-211-TC (Middle dimension)
CL-311-TC (Bottom dimension)



CL-112-TC
Low Open Arm
Straight Base
250 lbs



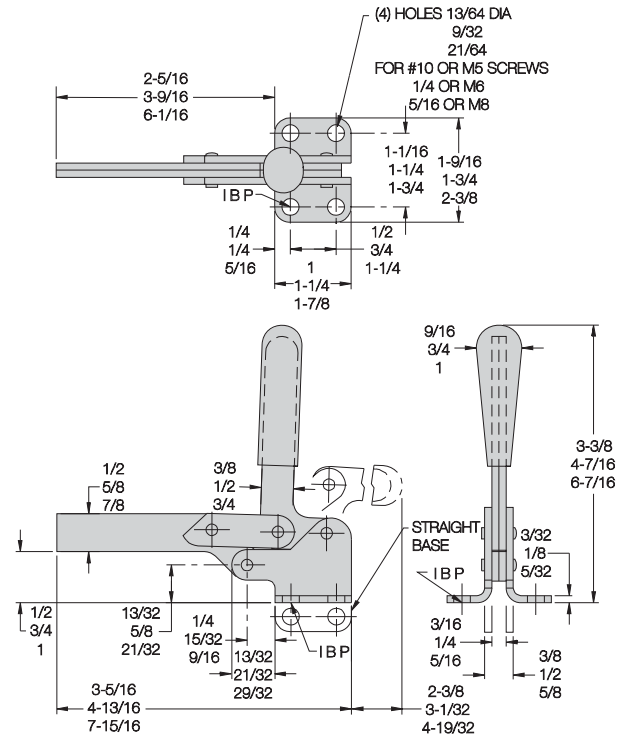
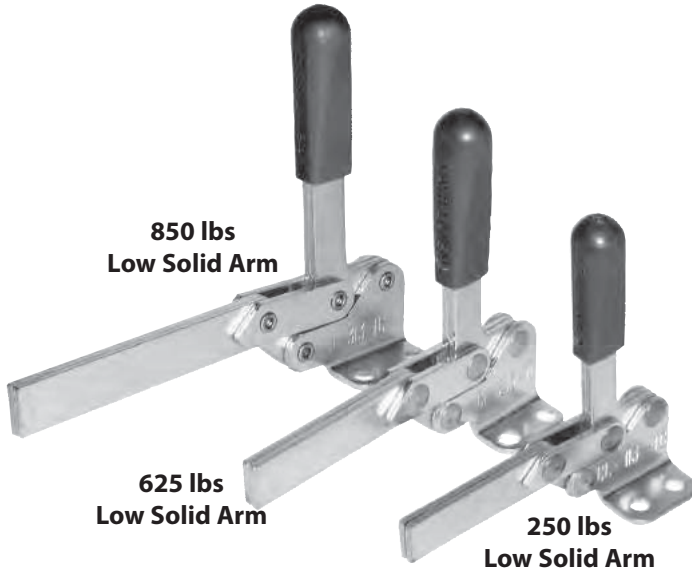
CL-212-TC
Low Open Arm
Straight Base
625 lbs



CL-312-TC
Low Open Arm
Straight Base
850 lbs

VERTICAL-HANDLE TOGGLE CLAMPS

INFO+: SEE PAGE 442 FOR MATERIAL SPECIFICATIONS



Simple, easy-opening clamps with excellent arm reach, extending farther over workpiece than any other clamps their size. Solid arm for weld-on bolt retainers (INFO+: see p. 476 for open-arm version). Arm opens 83° while handle moves 83°. Available in three sizes.

CL-113-TC **Low Solid Arm, Flanged Base**
 Small-size clamp. Accepts any 1/4-20 spindle and a CL-1458-S bolt retainer. INFO+: See pages 520-523 to order. Shipping weight 0.3 lbs.
Holding capacity: 250 lbs

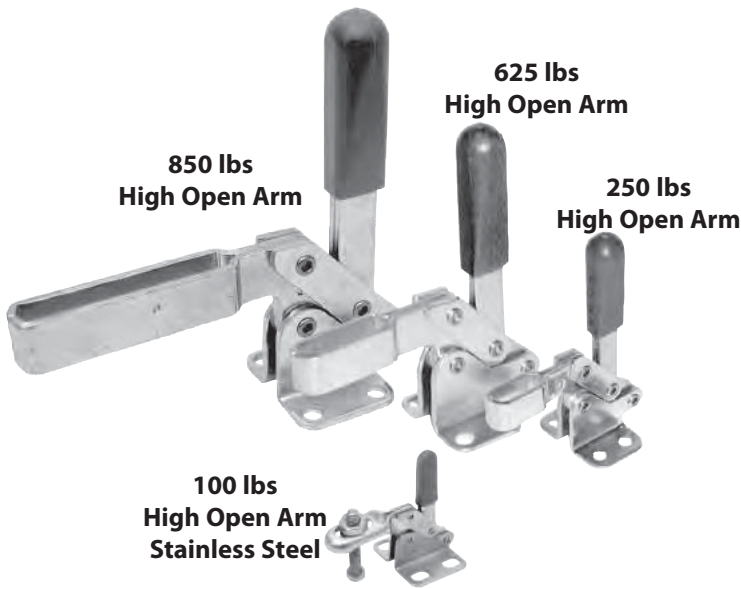
CL-213-TC **Low Solid Arm, Flanged Base**
 Medium-size clamp. Accepts any 5/16-18 spindle and a CL-51658-S or CL-518000-BR bolt retainer. INFO+: See pages 520-523 to order. Shipping weight 0.5 lbs.
Holding capacity: 625 lbs

CL-313-TC **Low Solid Arm, Flanged Base**
 Large-size clamp. Arm extends a full 6 inches over workpiece. Accepts any 3/8-16 spindle and a CL-3878-S or CL-316000-BR bolt retainer. INFO+: See pages 520-523 to order. Shipping weight 1.4 lbs.
Holding capacity: 850 lbs

CL-113-TC (Top dimension)
CL-213-TC (Middle dimension)
CL-313-TC (Bottom dimension)

VERTICAL-HANDLE TOGGLE CLAMPS

INFO+: SEE PAGE 442 FOR MATERIAL SPECIFICATIONS



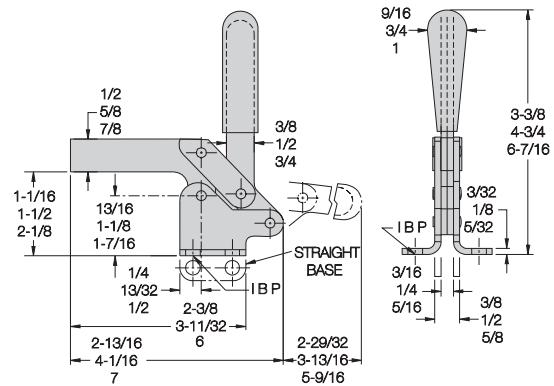
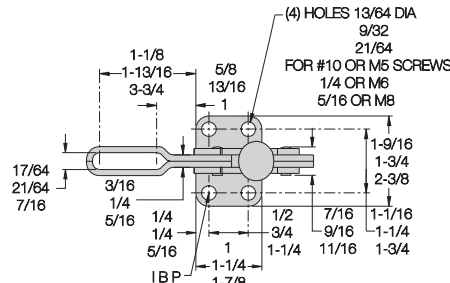
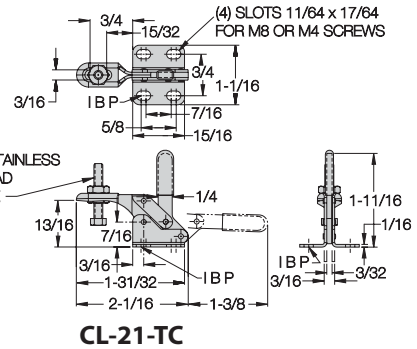
Simple, easy-opening clamps with extra arm height. Open arm allows spindle adjustment (INFO+: see p. 479 for solid-arm version). Arm opens 83° while handle moves 83°. Available in four sizes.

CL-21-TC High Open Arm, Flanged Base
 Miniature clamp in stainless steel. Supplied with #8-32 hex-head spindle CL-832203-SA-S. Shipping weight 0.1 lbs.
Holding capacity: 100 lbs

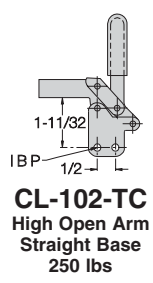
CL-101-TC High Open Arm, Flanged Base
 Small-size clamp. Accepts any 1/4-20 spindle and (2) CL-147-TW flanged washers. INFO+: See pages 520-523 to order. Shipping weight 0.3 lbs.
Holding capacity: 250 lbs

CL-201-TC High Open Arm, Flanged Base
 Medium-size clamp. Accepts any 5/16-18 spindle and (2) CL-51610-TW flanged washers. INFO+: See pages 520-523 to order. Shipping weight 0.5 lbs.
Holding capacity: 625 lbs

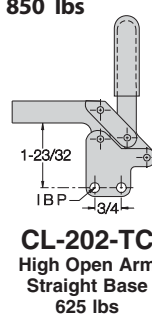
CL-301-TC High Open Arm, Flanged Base
 Large-size clamp. Accepts any 3/8-16 spindle and (2) CL-3811-TW flanged washers. INFO+: See pages 520-523 to order. Shipping weight 1.4 lbs.
Holding capacity: 850 lbs



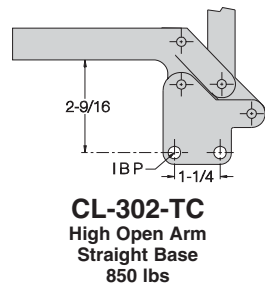
CL-101-TC (Top dimension)
 CL-201-TC (Middle dimension)
 CL-301-TC (Bottom dimension)



CL-102-TC
 High Open Arm
 Straight Base
 250 lbs



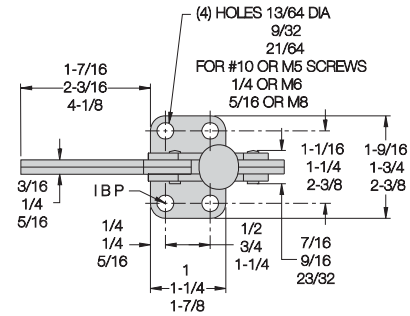
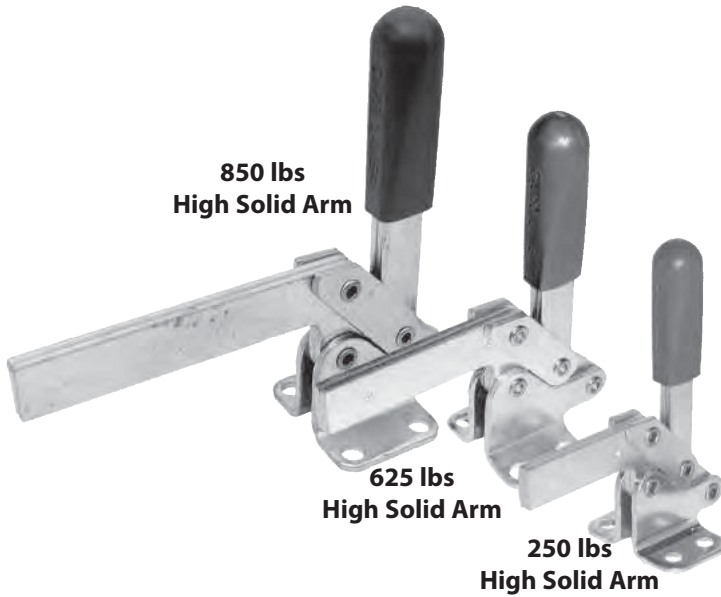
CL-202-TC
 High Open Arm
 Straight Base
 625 lbs



CL-302-TC
 High Open Arm
 Straight Base
 850 lbs

VERTICAL-HANDLE TOGGLE CLAMPS

INFO+: SEE PAGE 442 FOR MATERIAL SPECIFICATIONS

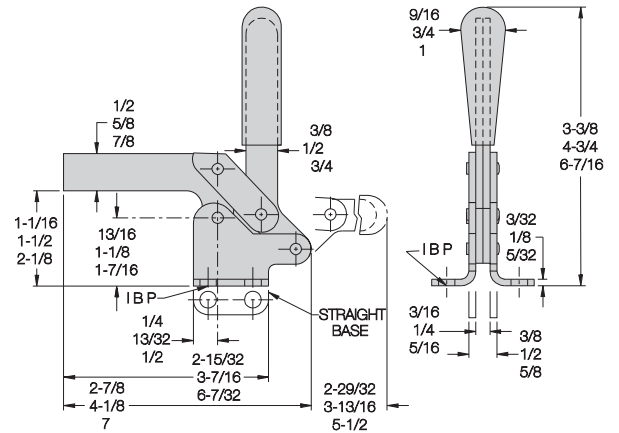


Simple, easy-opening clamps with extra arm height. Solid arm for weld-on bolt retainers (INFO+: see p. 478 for open-arm version). Arm opens 83° while handle moves 83°. Available in three sizes.

CL-103-TC High Solid Arm, Flanged Base
Small-size clamp. Accepts any 1/4-20 spindle and a CL-1458-S bolt retainer. INFO+: See pages 520-524 to order. Shipping weight 0.3 lbs.
Holding capacity: 250 lbs

CL-203-TC High Solid Arm, Flanged Base
Medium-size clamp. Accepts any 5/16-18 spindle and a CL-51658-S or CL-518000-BR bolt retainer. INFO+: See pages 520-524 to order. Shipping weight 0.5 lbs.
Holding capacity: 625 lbs

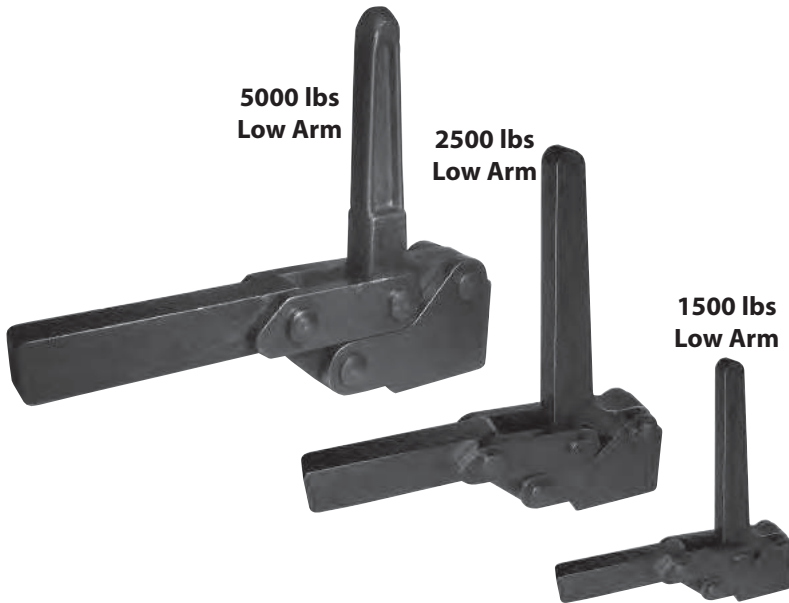
CL-303-TC High Solid Arm, Flanged Base
Large-size clamp. Accepts any 3/8-16 spindle and a CL-3878-S or CL-316000-BR bolt retainer. INFO+: See pages 520-524 to order. Shipping weight 1.4 lbs.
Holding capacity: 850 lbs



CL-103-TC (Top dimension)
CL-203-TC (Middle dimension)
CL-303-TC (Bottom dimension)

VERTICAL-HANDLE TOGGLE CLAMPS

INFO+: SEE PAGE 442 FOR MATERIAL SPECIFICATIONS



Compact heavy-duty clamps with forged steel handles and clamping arms, available in three sizes. Low clamping arm extends far over workpiece. Also available with other arm/handle configurations. **INFO+**: See pages 481-482. Simple, easy-opening linkage. Arm opens 83° while handle moves 83°. Weld-on flanged base is optional. To order clamp with flanged base attached, add "S" to part no. (example: CL-45-HDC-121S).

CL-45-HDC-121

Low Arm

Smallest of the three sizes, yet still quite powerful. Shipping weight 2.0 lbs.

Holding capacity:

1500 lbs

CL-50-HDC-121

Low Arm

Medium-size clamp with high strength. Shipping weight 2.5 lbs.

Holding capacity:

2500 lbs

CL-51-HDC-121

Low Arm

Largest of the three sizes. Shipping weight 5.0 lbs.

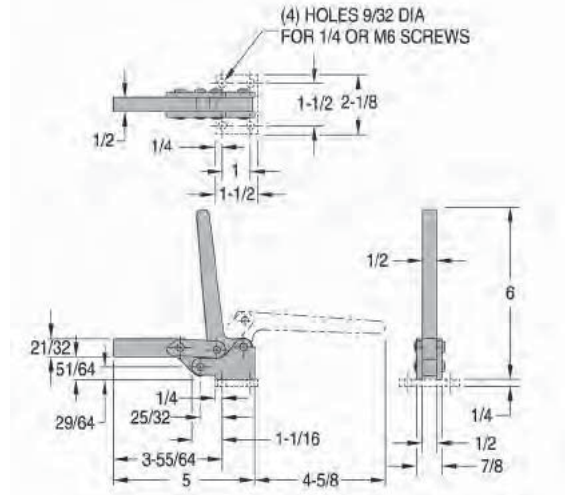
Holding capacity:

5000 lbs

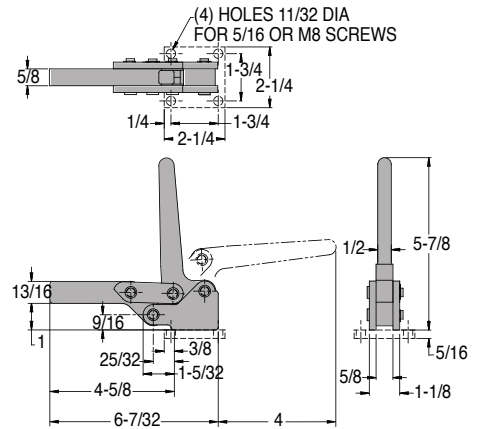
Available with
standard flanged
base attached...



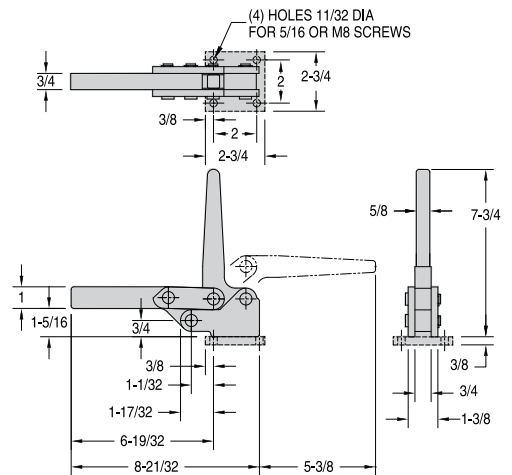
Add "S" to part no.



CL-45-HDC-121



CL-50-HDC-121



CL-51-HDC-121

11

VERTICAL-HANDLE TOGGLE CLAMPS

INFO+: SEE PAGE 442 FOR MATERIAL SPECIFICATIONS



Compact heavy-duty clamps with forged steel handles and clamping arms, available in three sizes. High clamping arm provides extra room for thick workpieces. Also available with other arm/handle configurations. **INFO+**: See pages 480 and 482. Simple, easy-opening linkage. Arm opens 83° while handle moves 83°. Weld-on flanged base is optional. To order clamp with flanged base attached, add "S" to part no. (example: CL-40-HDC-211S).

CL-40-HDC-211

High Arm

Smallest of the three sizes, yet still quite powerful. Shipping weight 2.0 lbs.

Holding capacity:

1500 lbs

CL-60-HDC-211

High Arm

Medium-size clamp with high strength. Shipping weight 2.5 lbs.

Holding capacity:

2500 lbs

CL-61-HDC-211

High Arm

Largest of the three sizes. Shipping weight 5.0 lbs.

Holding capacity:

5000 lbs

Available with standard flanged base attached . . .

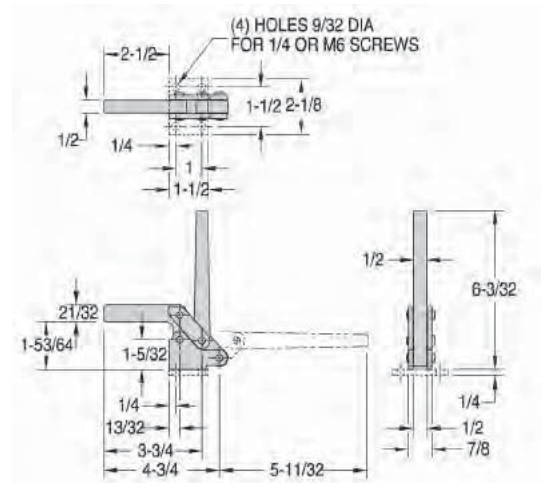


Add "S" to part no.

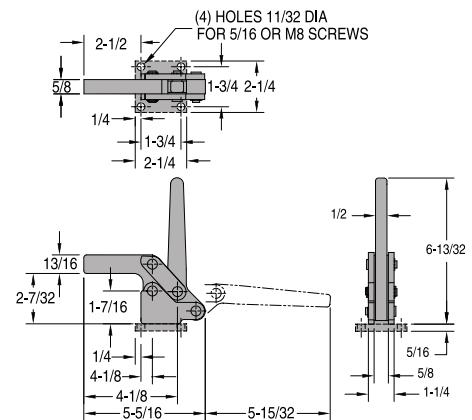
Also available air powered . . .



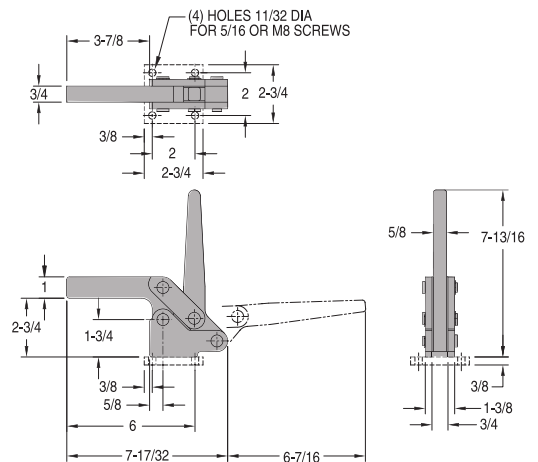
CL-3000-PTC
(INFO+:page 514)



CL-40-HDC-211



CL-60-HDC-211



CL-61-HDC-211

VERTICAL-HANDLE TOGGLE CLAMPS

INFO+: SEE PAGE 442 FOR MATERIAL SPECIFICATIONS

Custom heavy-duty forged clamps built to your specifications, with the same features as the clamps shown on pages 480-481 (INFO+). Available in three sizes. Choose from the 32 configurations shown below. (Top part no. is for 1500-lb clamp, middle part no. is for 2500-lb clamp, bottom part no. is for 5000-lb clamp). Simple, easy-opening linkage. Arm opens 83° while handle moves 83°. Weld-on flanged base is optional. To order clamp with flanged base attached, add "S" to part no. (example: CL-40-HDC-111S).

CL-40/45-HDC-XXX

Smallest of the three sizes, yet still quite powerful. Shipping weight 2.0 lbs.

Holding capacity: 1500 lbs

CL-50/60-HDC-XXX

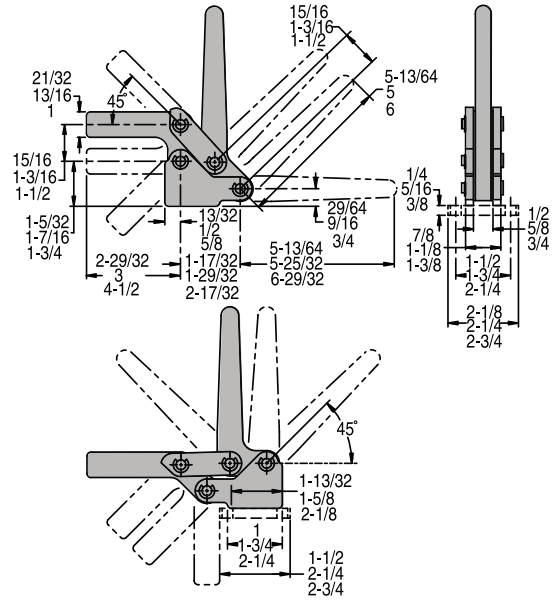
Medium-size clamp with high strength. Shipping weight 2.5 lbs.

Holding capacity: 2500 lbs

CL-51/61-HDC-XXX

Largest of the three sizes. Shipping weight 5.0 lbs.

Holding capacity: 5000 lbs



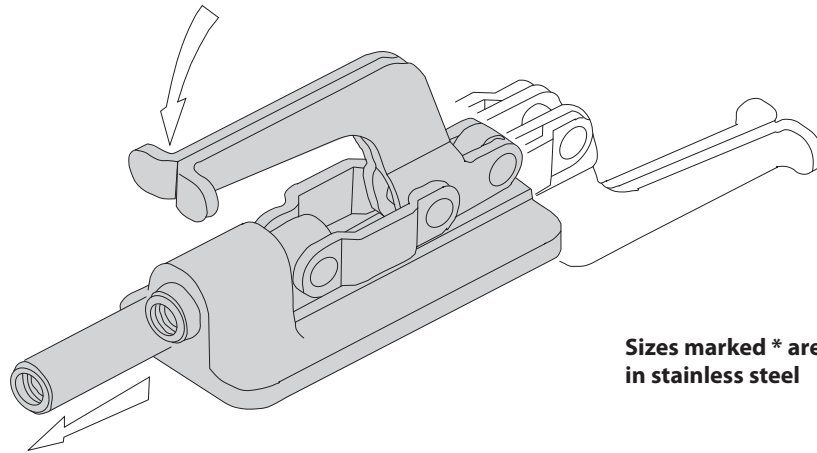
CL-40/45-HDC-XXX (Top dimension)

CL-50/60-HDC-XXX (Middle dimension)

CL-51/61-HDC-XXX (Bottom dimension)

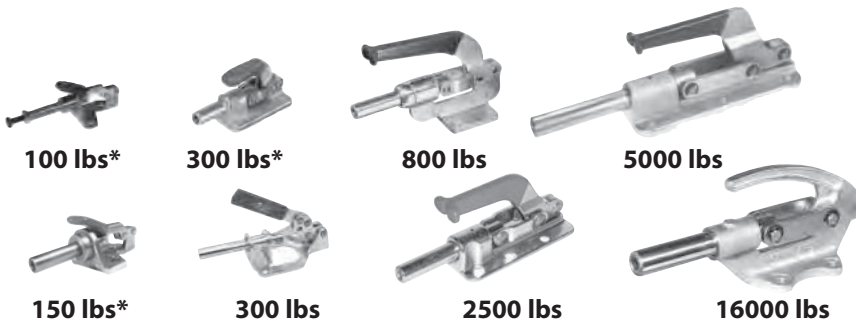
Low Arm		High Arm	
	CL-45-HDC-111 CL-50-HDC-111 CL-51-HDC-111		CL-45-HDC-311 CL-50-HDC-311 CL-51-HDC-311
			CL-40-HDC-111 CL-60-HDC-111 CL-61-HDC-111
	CL-45-HDC-121 CL-50-HDC-121 CL-51-HDC-121		CL-45-HDC-321 CL-50-HDC-321 CL-51-HDC-321
			CL-40-HDC-121 CL-60-HDC-121 CL-61-HDC-121
	CL-45-HDC-131 CL-50-HDC-131 CL-51-HDC-131		CL-45-HDC-331 CL-50-HDC-331 CL-51-HDC-331
			CL-40-HDC-131 CL-60-HDC-131 CL-61-HDC-131
	CL-45-HDC-141 CL-50-HDC-141 CL-51-HDC-141		CL-45-HDC-341 CL-50-HDC-341 CL-51-HDC-341
			CL-40-HDC-141 CL-60-HDC-141 CL-61-HDC-141
	CL-45-HDC-211 CL-50-HDC-211 CL-51-HDC-211		CL-45-HDC-411 CL-50-HDC-411 CL-51-HDC-411
			CL-40-HDC-211 CL-60-HDC-211 CL-61-HDC-211
	CL-45-HDC-221 CL-50-HDC-221 CL-51-HDC-221		CL-45-HDC-421 CL-50-HDC-421 CL-51-HDC-421
			CL-40-HDC-221 CL-60-HDC-221 CL-61-HDC-221
	CL-45-HDC-231 CL-50-HDC-231 CL-51-HDC-231		CL-45-HDC-431 CL-50-HDC-431 CL-51-HDC-431
			CL-40-HDC-231 CL-60-HDC-231 CL-61-HDC-231
	CL-45-HDC-241 CL-50-HDC-241 CL-51-HDC-241		CL-45-HDC-441 CL-50-HDC-441 CL-51-HDC-441
			CL-40-HDC-241 CL-60-HDC-241 CL-61-HDC-241

PUSH / PULL TOGGLE CLAMPS



Sizes marked * are also available in stainless steel

All Carr Lane Manufacturing toggle clamps are DFARS and RoHS compliant.



Standard SPC Design p. 484-489

Most popular series of push/pull clamps. Plunger advances and locks by moving the handle forward toward it. Clamp can also be used for pulling instead of pushing (handle locks back in downward position also). Choice of eight sizes.



Horizontal Handle p. 491

Reverse-action push clamp. Plunger advances and locks by moving the handle backward into horizontal position.



PC Design pp. 492-493

Durable push/pull clamps with nodular iron bases. Plunger advances and locks by moving the handle forward toward it. Clamp can also be used for pulling instead of pushing (handle locks back in downward position also). Choice of three sizes.

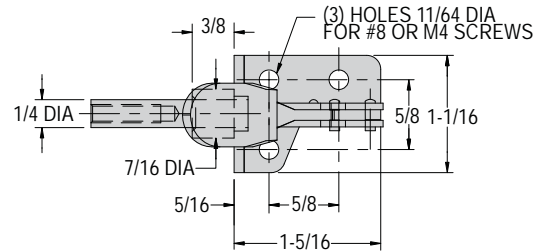
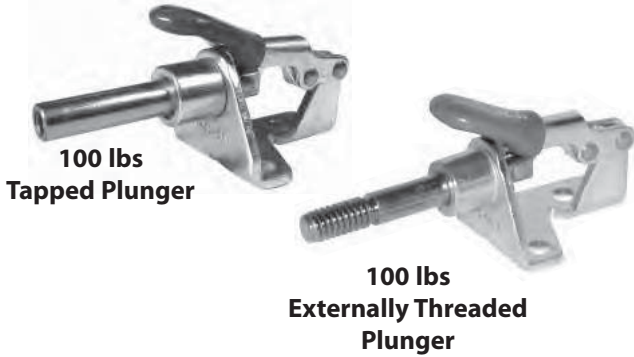


Threaded Body p. 494-495

Compact push/pull clamps for mounting through panels, plates, or angle brackets. Install in a drilled or tapped hole. Plunger locks in either extended or retracted position. Rotate clamp to position handle anywhere within 360°. Choice of three sizes.

PUSH/PULL TOGGLE CLAMPS

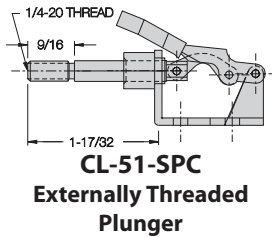
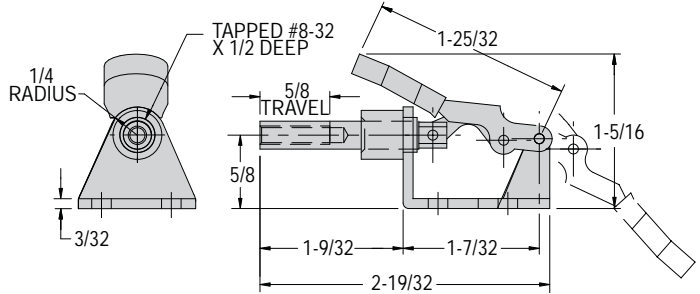
INFO+: SEE PAGE 442 FOR MATERIAL SPECIFICATIONS



CL-50-SPC (Metric No. CLM-50-SPC)

Miniature plunger clamp, perfect for electronics fixturing and other light-duty applications. Locks in extended or retracted position. 5/8" plunger travel. Tapped-plunger version supplied with #8-32 nylon hex-head spindle CL-832203-SA (M4 in metric). Also available with 1/4-20 externally threaded plunger. Shipping weight 0.2 lbs.

Holding capacity: 100 lbs



Also available in stainless steel ...



Also available air powered ...

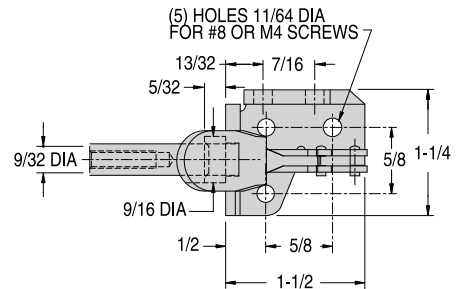


PUSH/PULL TOGGLE CLAMPS

INFO+: SEE PAGE 442 FOR MATERIAL SPECIFICATIONS



Also available in stainless steel ...

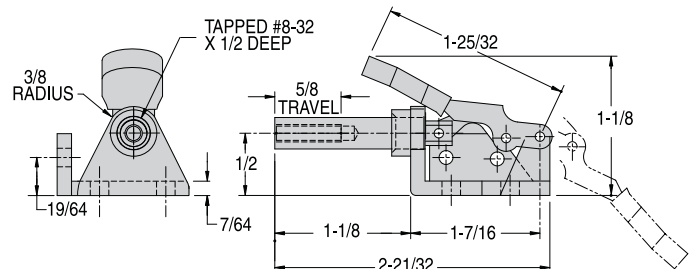


CL-60-SPC (Metric No. CLM-60-SPC)

Heavier-duty version of our smallest plunger clamp above. This is a powerful clamp in an extremely compact size. Unique base allows bottom or side mounting. Locks in extended or retracted position. 5/8" plunger travel. Plunger is tapped to accept any #8-32 spindle (M4 in metric).

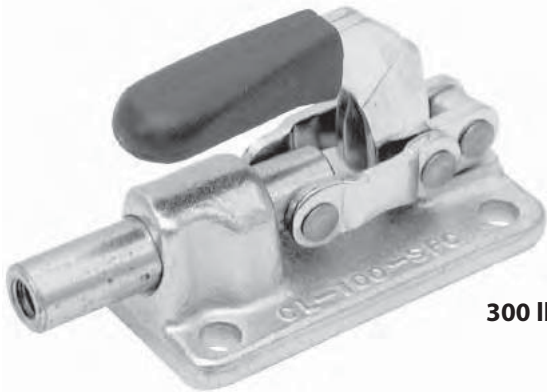
INFO+: See pages 520523 to order. Shipping weight 0.2 lbs.

Holding capacity: 150 lbs



PUSH/PULL TOGGLE CLAMPS

INFO+: SEE PAGE 442 FOR MATERIAL SPECIFICATIONS



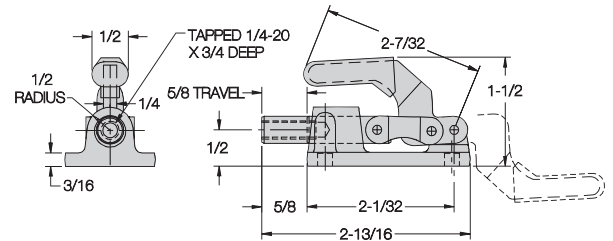
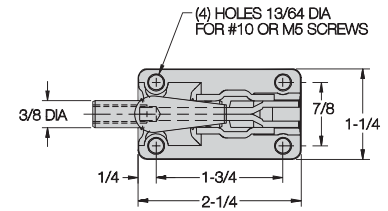
300 lbs

CL-100-SPC (Metric No. CLM-100-SPC)

Tiny, yet extremely powerful plunger clamp with a forged steel base. Requires very little mounting space due to its narrow base and compact low profile. Locks in extended or retracted position. 5/8" plunger travel. Plunger is tapped to accept any 1/4-20 spindle (M6 in metric). **INFO+**: See pages 520-523 to order. Shipping weight 0.5 lbs.

Holding capacity:

300 lbs



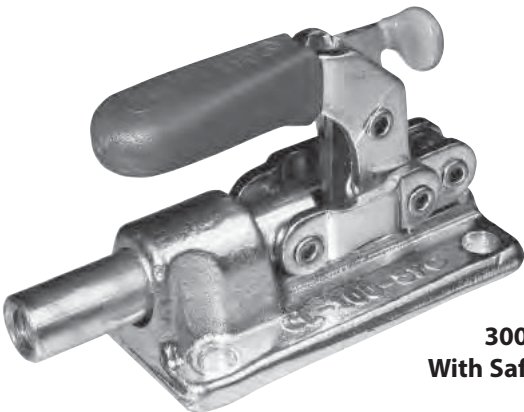
Also available
in stainless steel . . .



CL-100-SPC-S

PUSH/PULL TOGGLE CLAMPS

INFO+: SEE PAGE 442 FOR MATERIAL SPECIFICATIONS



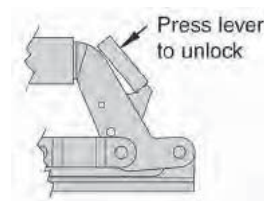
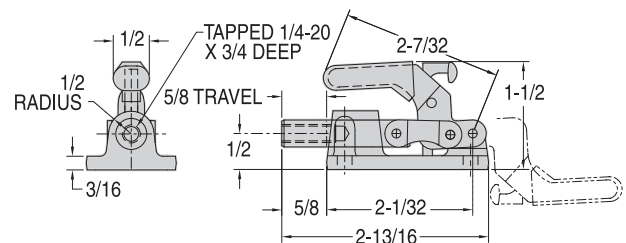
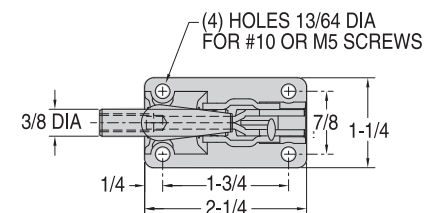
300 lbs
With Safety Lock

CL-100-LSPC (Metric No. CLM-100-LSPC)

Same as the toggle clamp shown above, except with our unique safety-lock feature. This safety lock automatically engages when the clamp is closed, then remains locked until manually disengaged by pressing the lever before opening. This prevents the clamp from being accidentally opened by bumping the handle. Shipping weight 0.6 lbs.

Holding capacity:

300 lbs



Press lever
to unlock

Also available
in stainless steel . . .



CL-100-LSPC-S

PUSH/PULL TOGGLE CLAMPS

INFO+: SEE PAGE 442 FOR MATERIAL SPECIFICATIONS

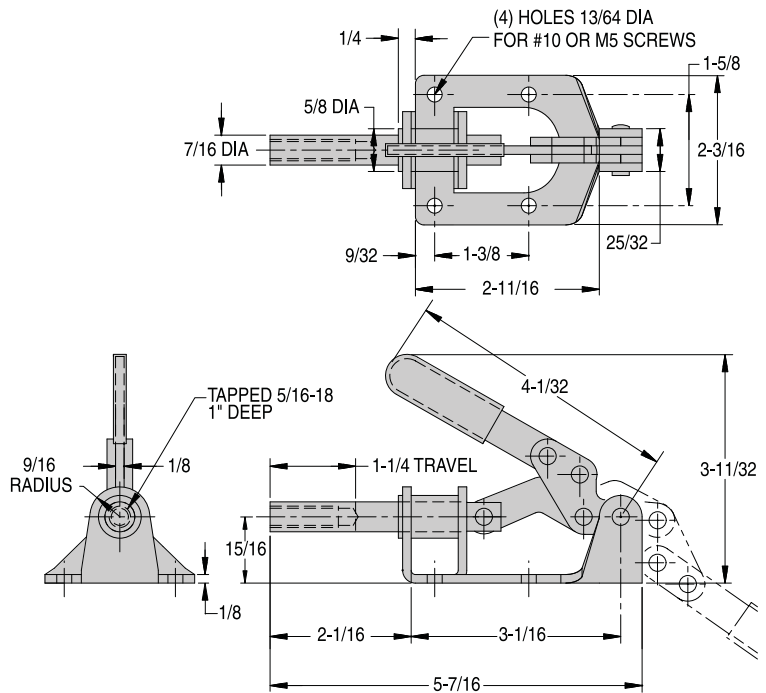


CL-150-SPC (Metric No. CLM-150-SPC)

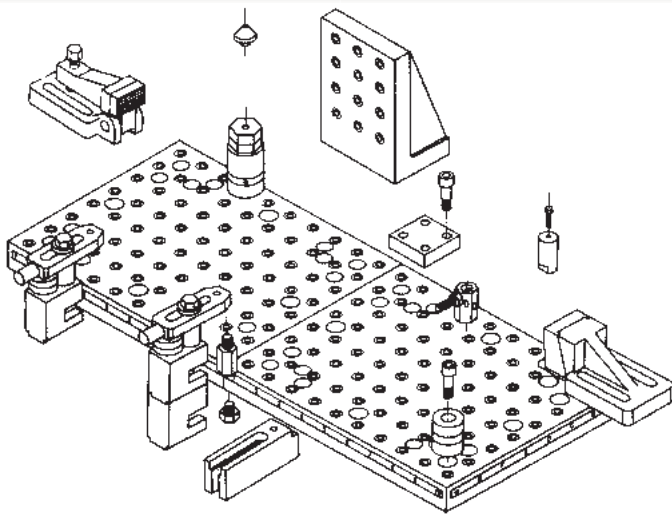
Medium-size plunger clamp that locks in extended or retracted position. 1-1/4" plunger travel. Plunger is tapped to accept any 5/16-18 spindle (M8 in metric). **INFO+**: See pages 520-523 to order. Shipping weight 0.7 lbs.

Holding capacity:

300 lbs



Modular Fixturing



- Ideal for temporary fixturing, for one-time jobs, short or prototype production runs, trial fixturing or while permanent fixtures are built or repaired
- Available in mini, standard and heavy sizes
- Wide range of tooling plates and blocks, finish ground, with multipurpose positioning holes
- Order as components, or in handy starter sets

See Modular Fixturing on pages 391-440

PUSH/PULL TOGGLE CLAMPS

INFO+: SEE PAGE 442 FOR MATERIAL SPECIFICATIONS



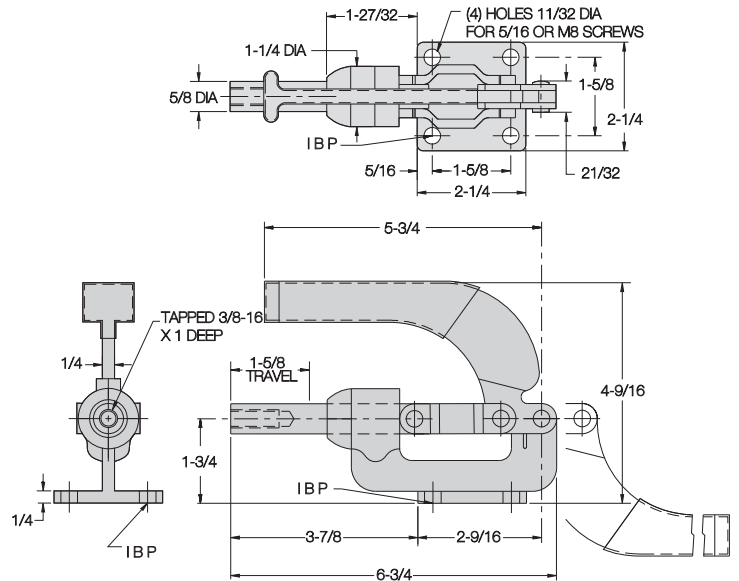
800 lbs

CL-250-SPC (Metric No. CLM-250-SPC)

Heavier clamp with extra plunger height. Locks in extended or retracted position. 1-5/8" plunger travel. Plunger is tapped to accept any 3/8-16 spindle (M10 in metric). INFO+: See pages 520-523 to order. Shipping weight 1.9 lbs.

Holding capacity:

800 lbs



PUSH/PULL TOGGLE CLAMPS

INFO+: SEE PAGE 442 FOR MATERIAL SPECIFICATIONS



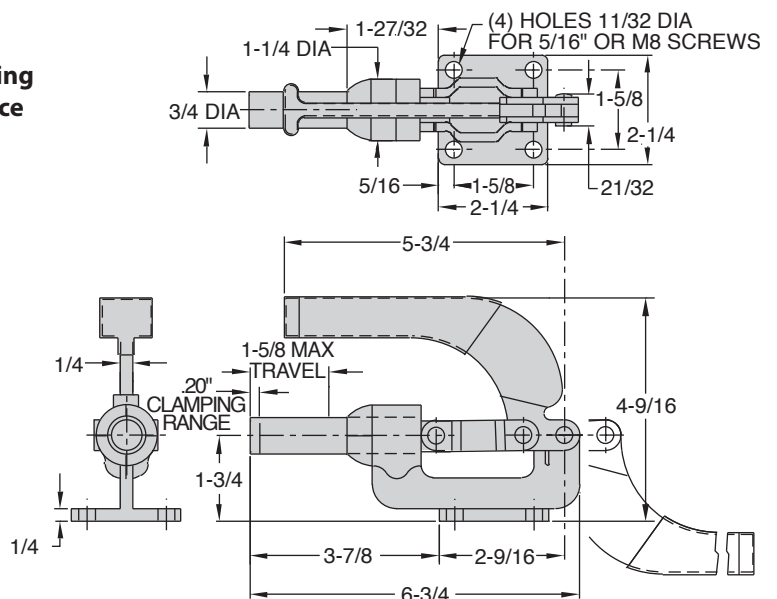
200 lbs
Self-Adjusting
Spring Force

CL-255-SPC

Spring-loaded version of CL-250-SPC above. Heavier clamp with extra plunger height. Locks in extended position only. 1-5/8" maximum plunger travel with a .20" clamping range. Patent number 6,905,116. Shipping weight 1.9 lbs.

Spring force (±10%):

200 lbs



PUSH/PULL TOGGLE CLAMPS

INFO+: SEE PAGE 442 FOR MATERIAL SPECIFICATIONS



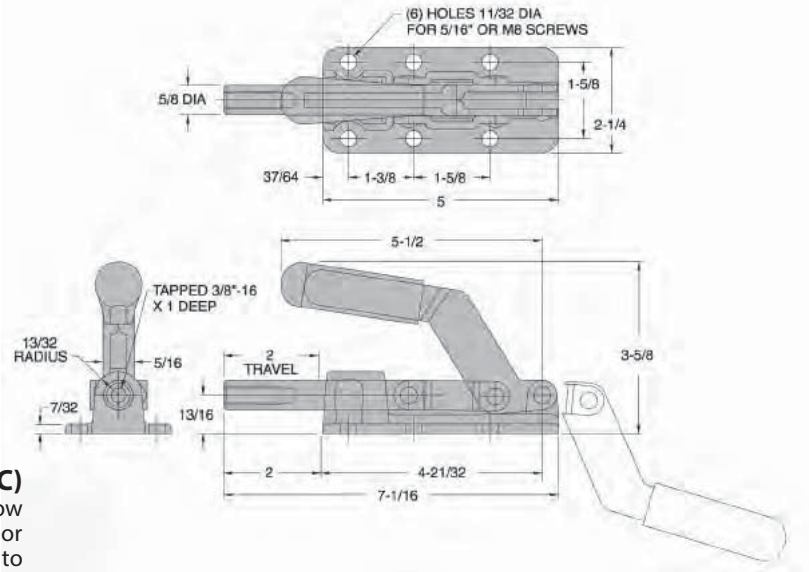
2500 lbs

CL-350-SPC (Metric No. CLM-350-SPC)

Compact heavy-duty plunger clamp with an extremely low profile. Rugged forged steel base. Locks in extended or retracted position. 2" plunger travel. Plunger is tapped to accept any 3/8-16 spindle (M10 in metric). INFO+: See pages 520-523 to order. Shipping weight 2.0 lbs.

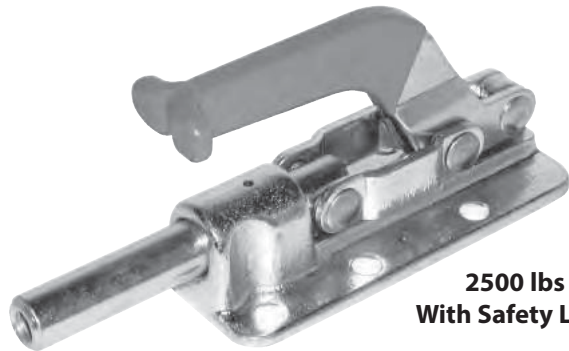
Holding capacity:

2500 lbs



PUSH/PULL TOGGLE CLAMPS

INFO+: SEE PAGE 442 FOR MATERIAL SPECIFICATIONS



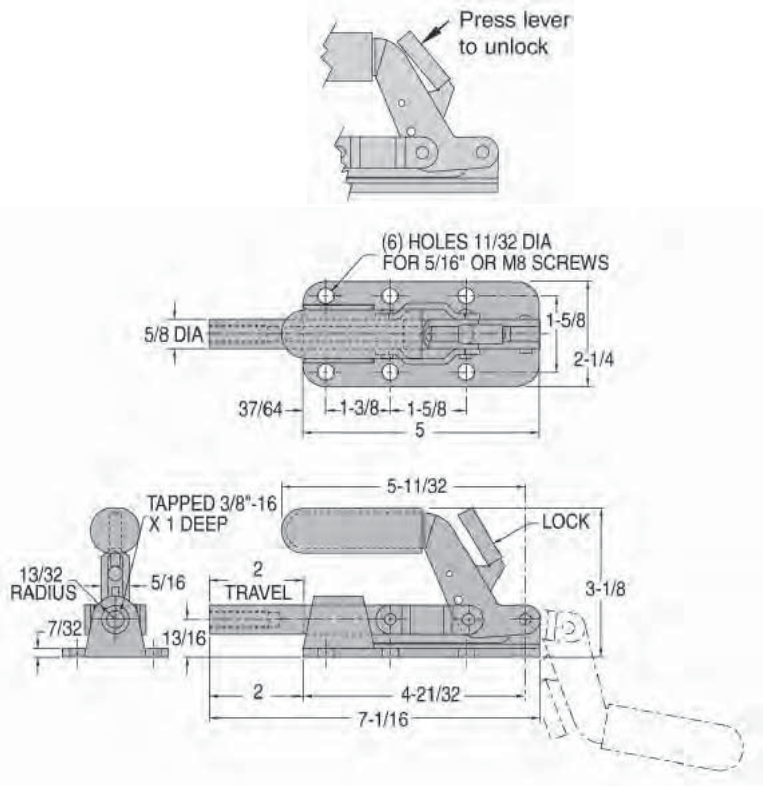
2500 lbs
With Safety Lock

CL-350-LSPC

Same as the toggle clamp shown above, except with our unique safety-lock feature. This safety lock automatically engages when the clamp is closed, then remains locked until manually disengaged by pressing the lever before opening. This prevents the clamp from being accidentally opened by bumping the handle. Shipping weight 2.0 lbs.

Holding capacity:

2500 lbs



PUSH/PULL TOGGLE CLAMPS

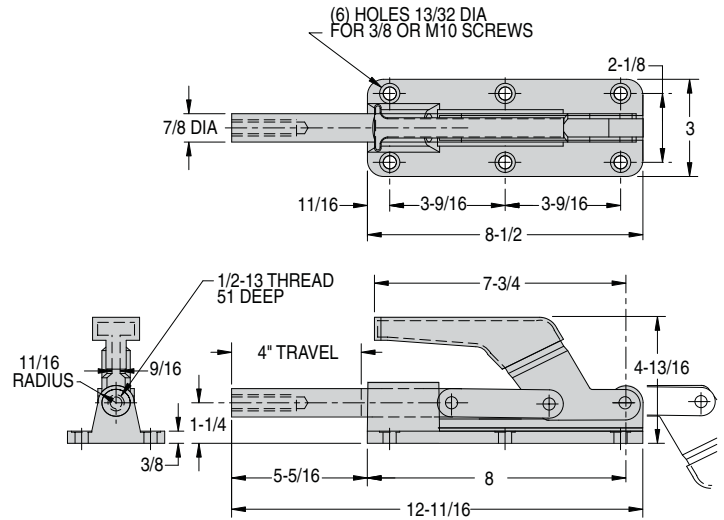
INFO+: SEE PAGE 442 FOR MATERIAL SPECIFICATIONS



5000 lbs

CL-450-SPC (Metric No. CLM-450-SPC)

Extra-heavy-duty clamp features a full 4" plunger travel! Rugged nodular iron base and a 7/8"-diameter plunger combine to handle the toughest clamping jobs. Locks in extended or retracted position. Plunger is tapped to accept any 1/2-13 spindle (M12 in metric). **INFO+**: See pages 520-523 to order. Shipping weight 7.0 lbs. **Holding capacity:** 5000 lbs



PUSH/PULL TOGGLE CLAMPS

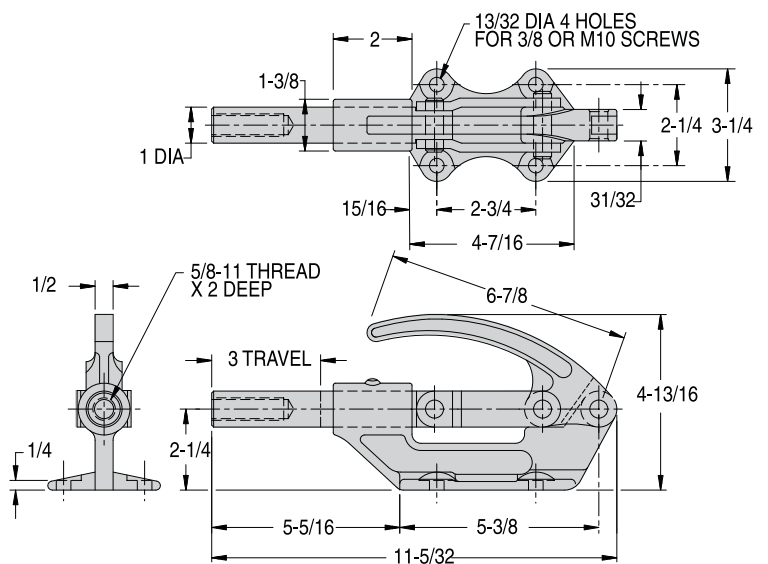
INFO+: SEE PAGE 442 FOR MATERIAL SPECIFICATIONS



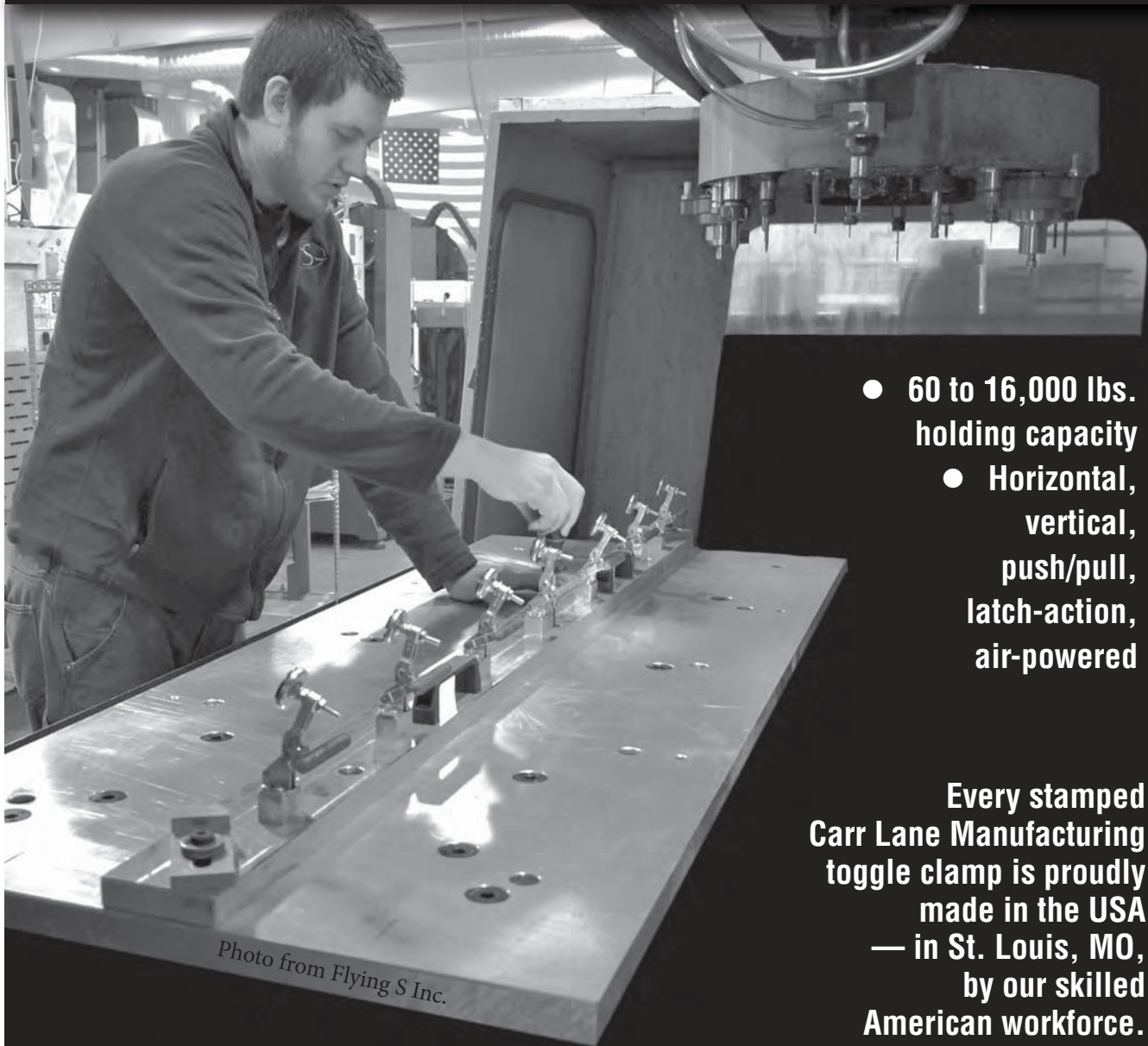
16000 lbs

CL-650-SPC (Metric No. CLM-650-SPC)

Strongest plunger clamp available. Handle and base are made of alloy steel. Precision unit with snap-ring pivot pins to allow removing the plunger even after the clamp is mounted. Locks in extended or retracted position. 3" plunger travel. Plunger is tapped to accept any 5/8-11 spindle (M16 in metric). **INFO+**: See pages 520-523 to order. Shipping weight 5.7 lbs. **Holding capacity:** 16000 lbs



The ONLY TOGGLE CLAMPS EXCLUSIVELY MADE IN THE USA



- 60 to 16,000 lbs. holding capacity
- Horizontal, vertical, push/pull, latch-action, air-powered

Every stamped Carr Lane Manufacturing toggle clamp is proudly made in the USA — in St. Louis, MO, by our skilled American workforce.

Photo from Flying S Inc.

Look for the green handle
and choose Carr Lane Manufacturing!

CarrLane
MANUFACTURING CO.

PUSH/PULL TOGGLE CLAMPS

INFO+: SEE PAGE 442 FOR MATERIAL SPECIFICATIONS

600 lbs

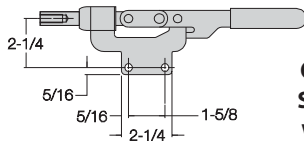
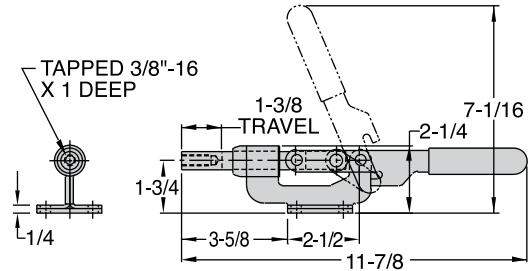
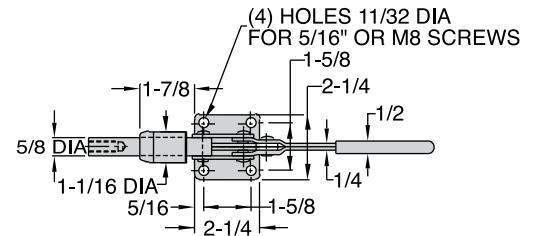


CL-275-SPC (Metric No. CLM-275-SPC)

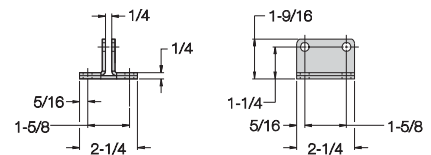
Similar to CL-250-SPC except with reverse handle action. Plunger advances and locks by moving handle backward into horizontal position. 1-3/16" plunger travel. Plunger is tapped to accept any 3/8-16 spindle (M10 in metric). INFO+: See pages 520-523 to order. Straight-base version supplied with separate base bracket to allow mounting clamp at an angle. Shipping weight 1.5 lbs.

Holding capacity:

600 lbs



CL-276-SPC
Straight Base
with Bracket



Bracket included with CL-276-SPC

PUSH/PULL TOGGLE CLAMPS

INFO+: SEE PAGE 442 FOR MATERIAL SPECIFICATIONS

200 lbs Spring Force
Self-Adjusting Plunger

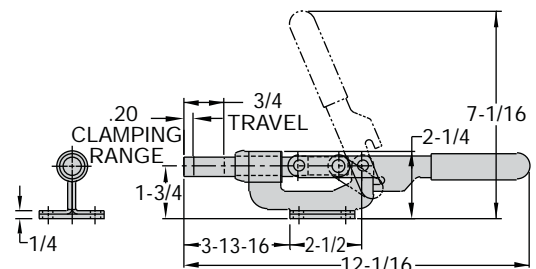
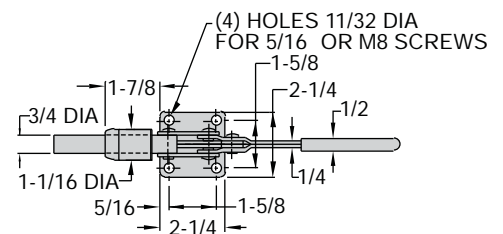


CL-285-SPC

Spring-loaded version of CL-275-SPC above. Plunger advances and locks by moving handle backward into horizontal position. 3/4" maximum plunger travel with a .20" clamping range. Patent number 6,905,116. Shipping weight 1.5 lbs.

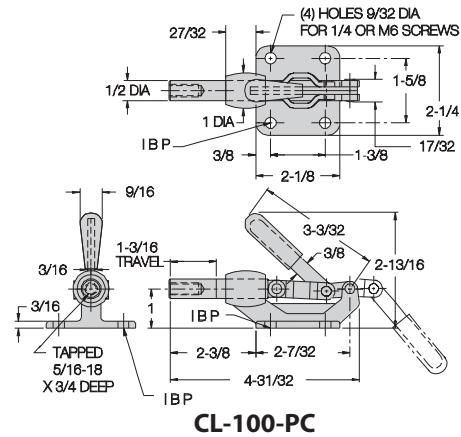
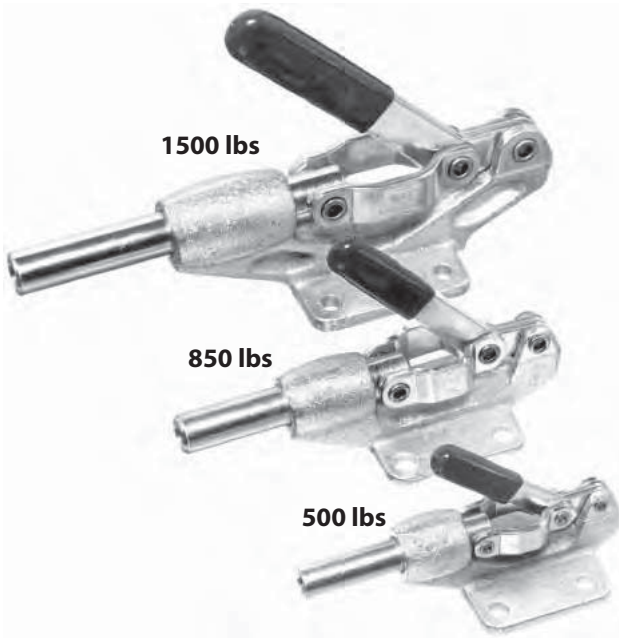
Spring force ($\pm 10\%$):

200 lbs



PUSH/PULL TOGGLE CLAMPS

INFO+: SEE PAGE 442 FOR MATERIAL SPECIFICATIONS

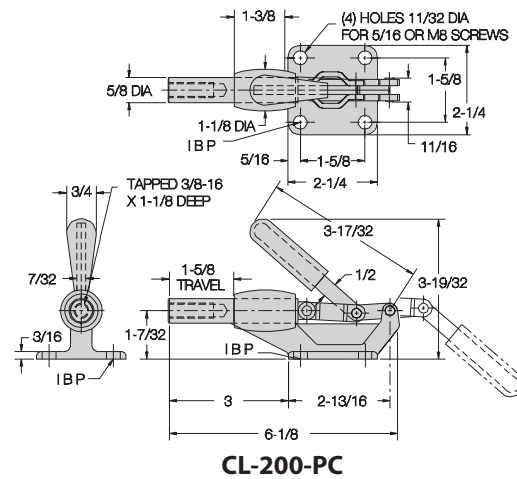


Durable plunger clamp with nodular iron base. Locks in either extended or retracted position. Choice of three sizes.

CL-100-PC (Metric No. CLM-100-PC)

Small-size clamp with 1-3/16" plunger travel. Accepts any 5/16-18 spindle (M8 in metric). INFO+: See pages 520-523 to order. Shipping weight 0.9 lbs.

Holding capacity: 500 lbs



CL-200-PC (Metric No. CLM-200-PC)

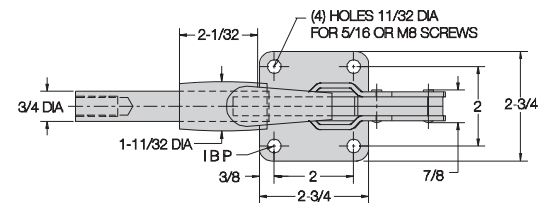
Medium-size clamp with 1-5/8" plunger travel. Accepts any 3/8-16 spindle (M10 in metric). INFO+: See pages 520-523 to order. Shipping weight 1.4 lbs.

Holding capacity: 850 lbs

CL-300-PC (Metric No. CLM-300-PC)

Large-size clamp with 2-11/32" plunger travel. Accepts any 1/2-13 spindle (M12 in metric). INFO+: See pages 520-523 to order. Shipping weight 3.2 lbs.

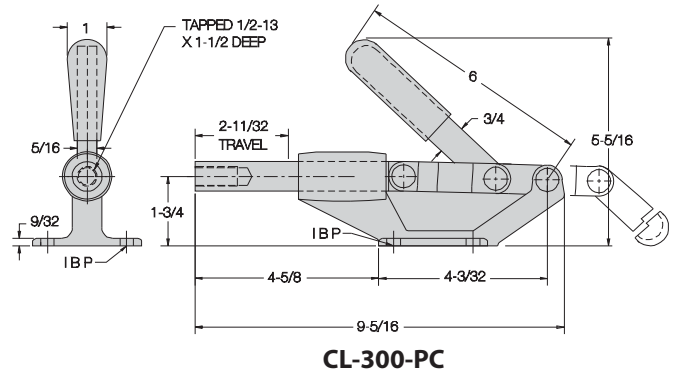
Holding capacity: 1500 lbs



Also available air powered . . .

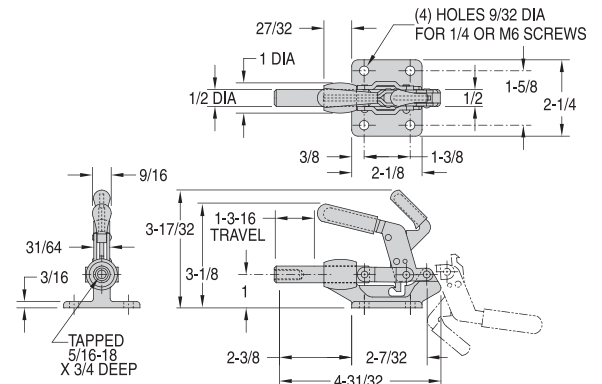
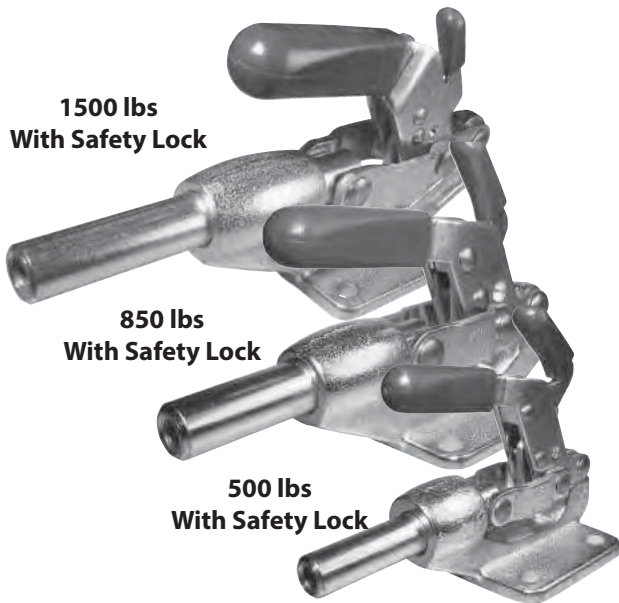


CL-1500-PPC
850 lbs
(INFO+ page 518)

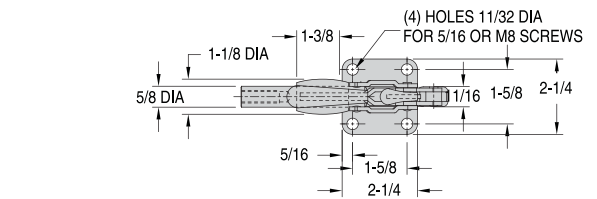


PUSH/PULL TOGGLE CLAMPS

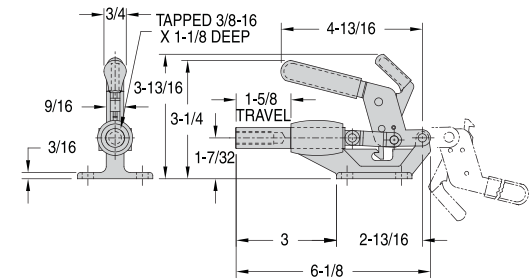
INFO+: SEE PAGE 442 FOR MATERIAL SPECIFICATIONS



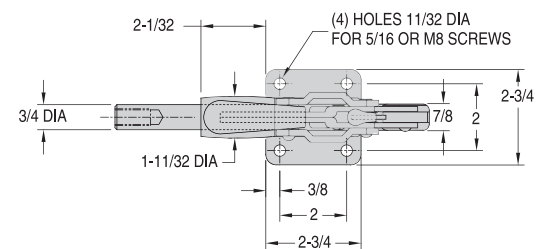
CL-100-LPC



CL-200-LPC



CL-200-LPC



CL-100-LPC

Small-size clamp with 1-3/16" plunger travel. Accepts any 5/16-18 spindle. **INFO+**: See pages 520-523 to order. Shipping weight 0.9 lbs.

Holding capacity: 500 lbs

CL-200-LPC

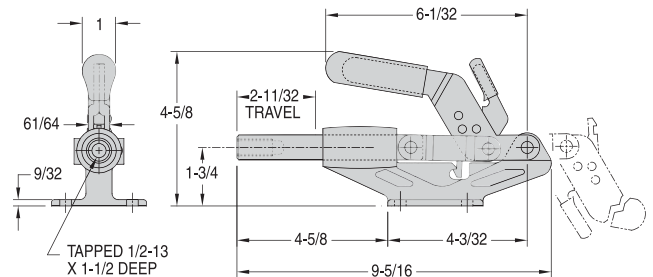
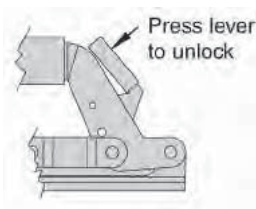
Medium-size clamp with 1-5/8" plunger travel. Accepts any 3/8-16 spindle. **INFO+**: See pages 520-523 to order. Shipping weight 1.4 lbs.

Holding capacity: 850 lbs

CL-200-LPC

Large-size clamp with 2-11/32" plunger travel. Accepts any 1/2-13 spindle. **INFO+**: See pages 520-523 to order. Shipping weight 3.2 lbs.

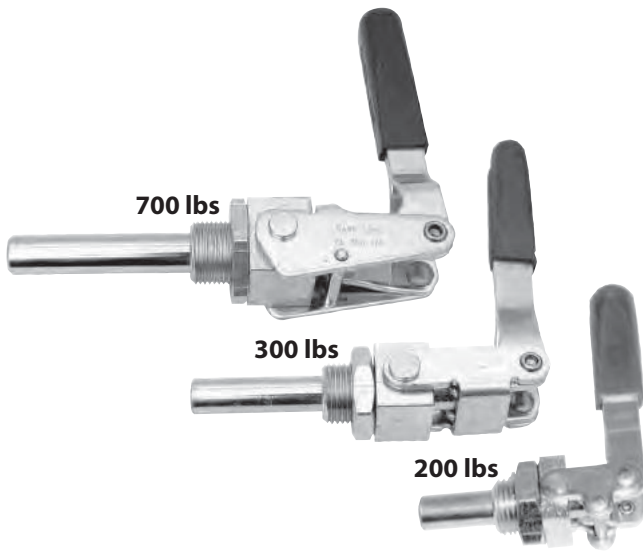
Holding capacity: 1500 lbs



CL-300-LPC

PUSH/PULL TOGGLE CLAMPS

INFO+: SEE PAGE 442 FOR MATERIAL SPECIFICATIONS



Compact plunger clamps for mounting through panels, plates, or angle brackets. Install in a drilled or tapped hole, securing with the locknut provided. Plunger locks in either extended or retracted position. Rotate clamp to position handle anywhere within 360°. Choice of three sizes.

CL-150-TPC (Metric No. CLM-150-TPC)

Small-size clamp with 3/4" plunger travel. Installs in a 5/8"-diameter drilled hole, or a 5/8-18 tapped hole (M16x1.5 in metric). Accepts any 1/4-20 spindle (M6 in metric). **INFO+**: See pages 520-523 to order. Shipping weight 0.4 lbs.

Holding capacity: 200 lbs

CL-250-TPC (Metric No. CLM-250-TPC)

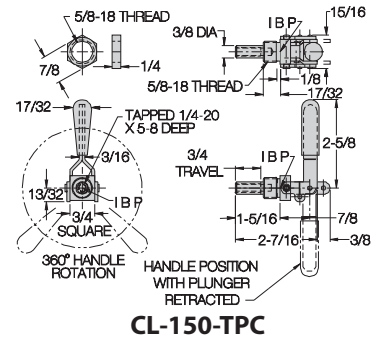
Medium-size clamp with 1-1/2" plunger travel. Installs in a 3/4"-diameter drilled hole, or a 3/4-16 tapped hole (M20x1.5 in metric). Accepts any 5/16-18 spindle (M8 in metric). **INFO+**: See pages 520-523 to order. Shipping weight 0.7 lbs.

Holding capacity: 300 lbs

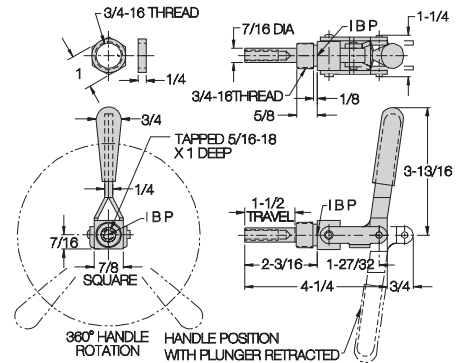
CL-350-TPC (Metric No. CLM-350-TPC)

Large-size clamp with 2-5/8" plunger travel. Installs in a 1"-diameter drilled hole, or a 1"-14 (M27x2 in metric) tapped hole. Accepts any 3/8-16 spindle (M10 in metric). **INFO+**: See pages 520-523 to order. Shipping weight 1.5 lbs.

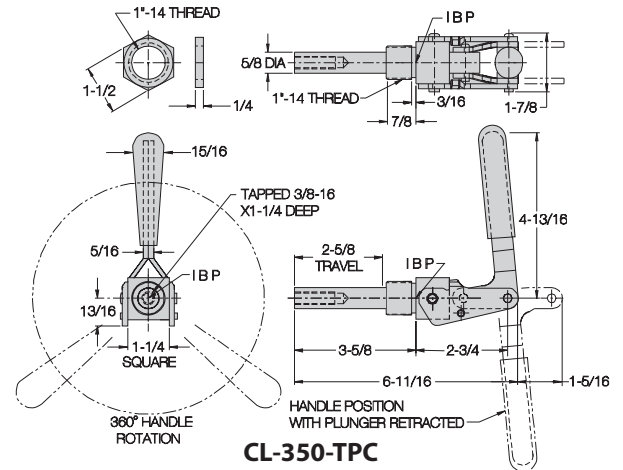
Holding capacity: 700 lbs



CL-150-TPC

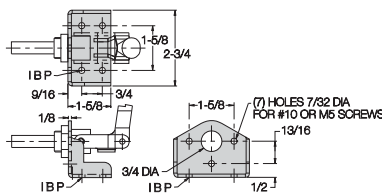


CL-250-TPC



CL-350-TPC

Mounting Bracket for CL-250-TPC:



CL-250-TPCA

Also available in stainless steel . . .



CL-150-TPC-S
200 lbs



CL-250-TPC-S
300 lbs



CL-350-TPC-S
700 lbs

PUSH/PULL TOGGLE CLAMPS

INFO+: SEE PAGE 442 FOR MATERIAL SPECIFICATIONS

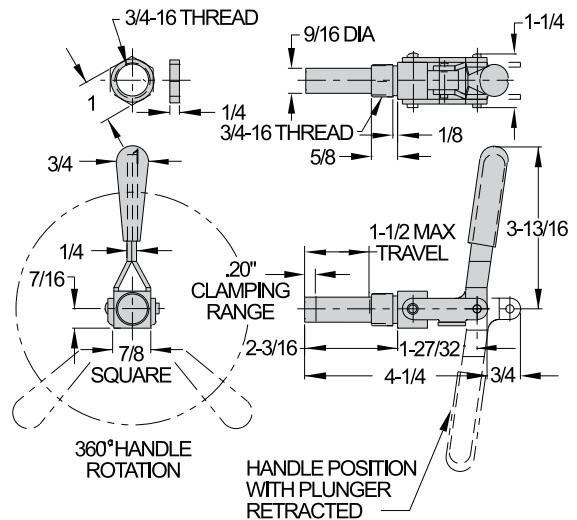
**200 lbs Spring Force
Self-Adjusting Plunger**



**100 lbs Spring Force
Self-Adjusting Plunger**



INFO+: Self-adjusting version of the clamps on page 494. These patented clamps automatically adjust to apply a consistent (+/- 10%) spring clamping force anywhere within their .20" range. Compact plunger clamps for mounting through panels, plates, or angle brackets. Install in a drilled or tapped hole, securing with the locknut provided. Plunger locks only in extended position. Rotate clamp to position handle anywhere within 360°. Patent number 6,905,116. Choice of two sizes.

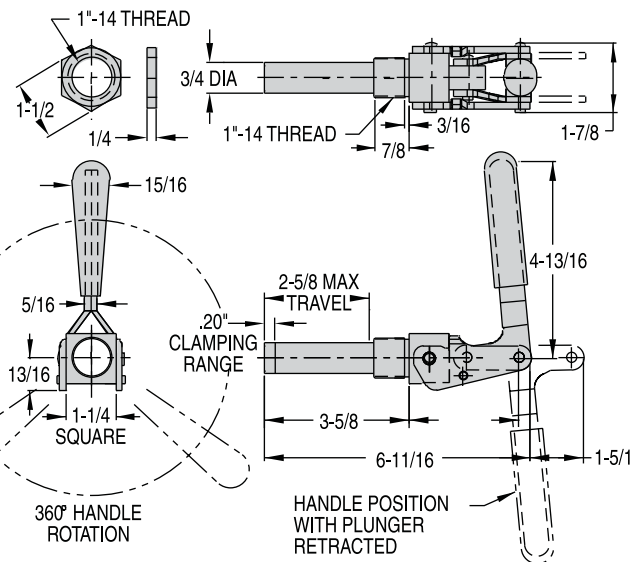


CL-255-TPC

CL-255-TPC

Medium-size clamp with 1-1/2" maximum plunger travel and a .20" clamping range. Installs in a 3/4"-diameter drilled hole, or a 3/4-16 tapped hole. Shipping weight 0.7 lbs.

Spring force (±10%): **100 lbs**



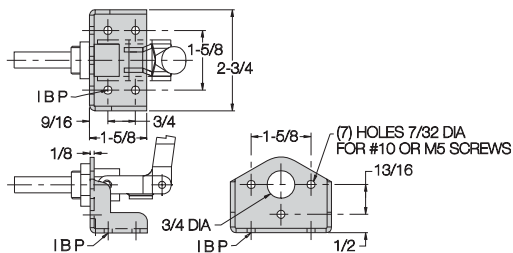
CL-355-TPC

CL-355-TPC

Large-size clamp with 2-5/8" maximum plunger travel and a .20" clamping range. Installs in a 1"-diameter drilled hole, or a 1"-14 tapped hole. Shipping weight 1.5 lbs.

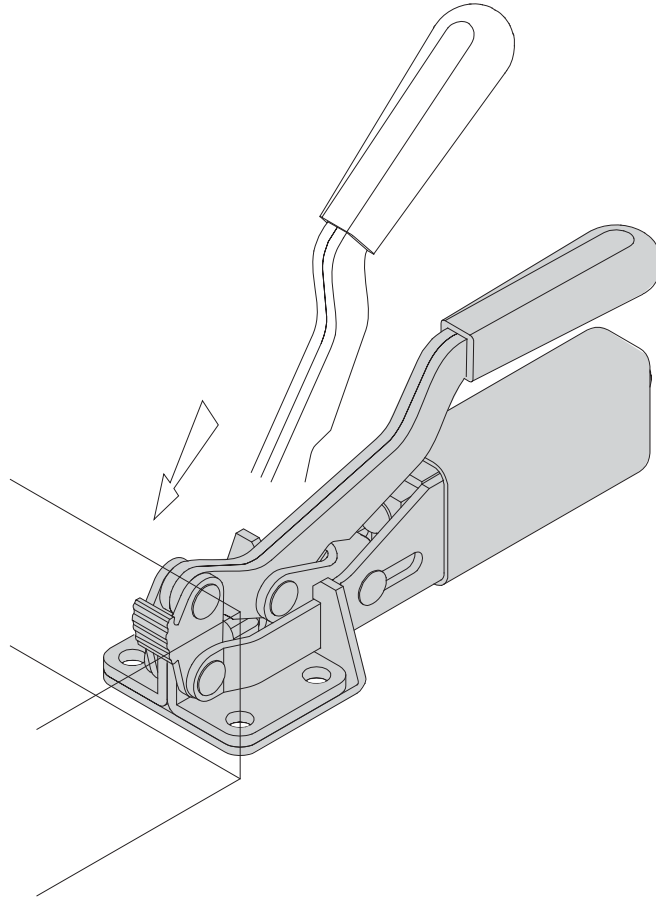
Spring force (±10%): **200 lbs**

Mounting Bracket for CL-255-TPC:

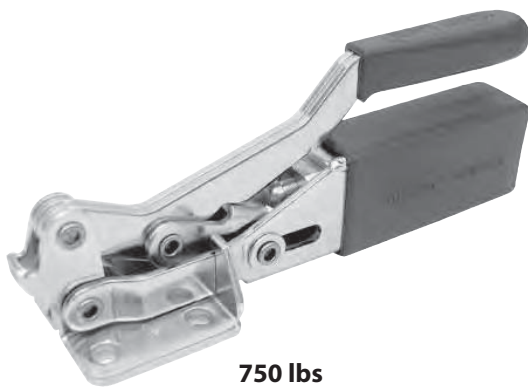


CL-250-TPCA

TOGGLE EDGE CLAMPS



All Carr Lane Manufacturing toggle clamps are DFARS and RoHS compliant.



750 lbs

Automatically Adjusting p. 497

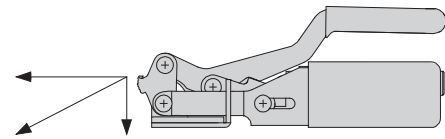
Unique Toggle Edge Clamp applies force forward and downward at the same time. This quick-acting, self-adjusting clamp automatically compensates for variations in workpiece size. Clamping force is always consistent after setting once.

TOGGLE EDGE CLAMPS

INFO+: SEE PAGE 442 FOR MATERIAL SPECIFICATIONS



**750 lbs
Automatic Toggle Clamp
(Self Adjusting)**



Toggle Edge Clamps apply force forward and downward at the same time.

CL-550-ATEC

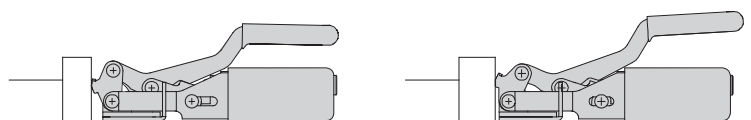
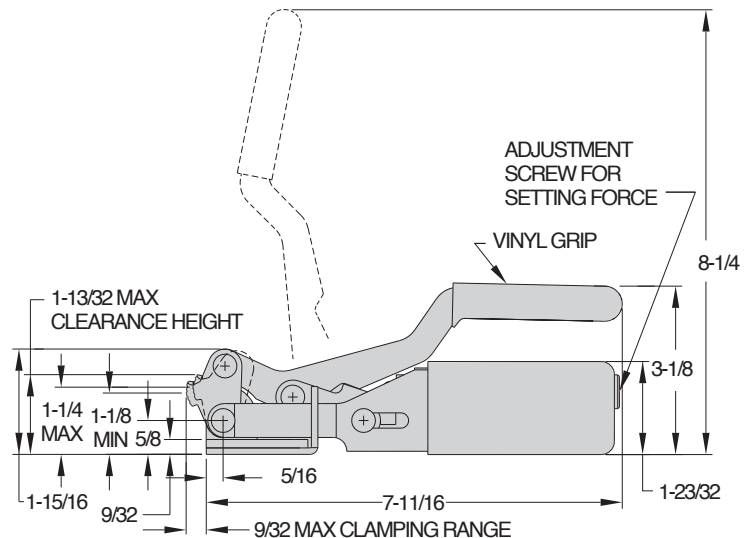
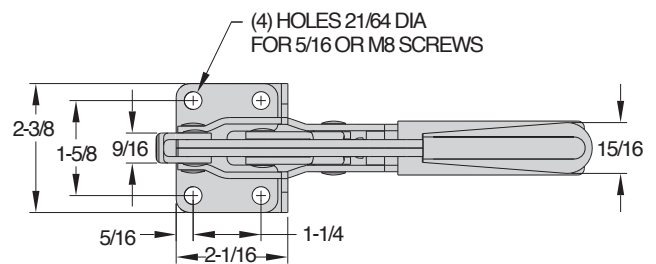
Unique Toggle Edge Clamp applies force forward and downward at the same time. Automatically adjusts for different workpiece sizes. Clamps with the same, repeatable force anywhere within its 9/32" automatic-adjustment range.

Easy to use. Simply set desired clamping force once, after mounting, then operate just like a standard toggle clamp. The patented adjusting mechanism does the rest. For mounting on T-slotted tables, see slotted adapters below.

Hardened clamping nose grips workpiece firmly to apply downthrust force. Handle moves 80° while nose pivots back for loading. Patent no. 4,407,493. Other patents pending. Shipping weight 1.8 lbs.

Holding capacity:

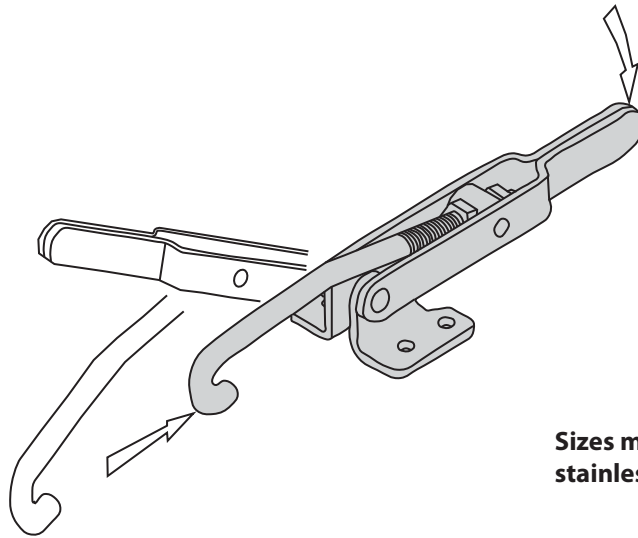
750 lbs



9/32" Automatic-Adjustment Range

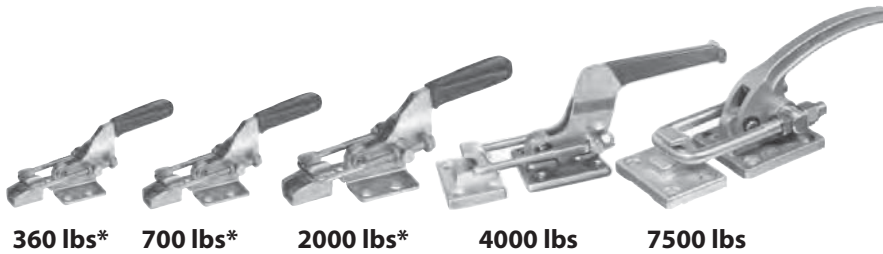
11

LATCH-ACTION TOGGLE CLAMPS



Sizes marked * are also available in stainless steel

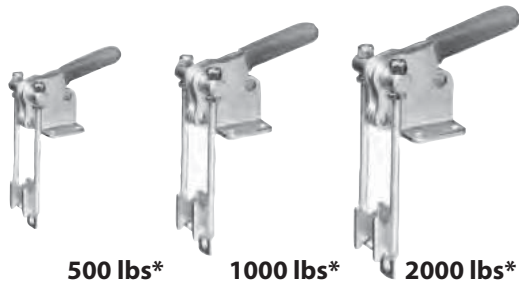
All Carr Lane Manufacturing toggle clamps are DFARS and RoHS compliant.



360 lbs* 700 lbs* 2000 lbs* 4000 lbs 7500 lbs

Adjustable U Bolt pp. 500-503

Latch-action clamp with a threaded U bolt for adjustability. Supplied with matching latch plate (smallest three sizes). Large, comfortable handle grip. Available in five sizes.



500 lbs* 1000 lbs* 2000 lbs*

Right-Angle Adjustable U Bolt p. 504

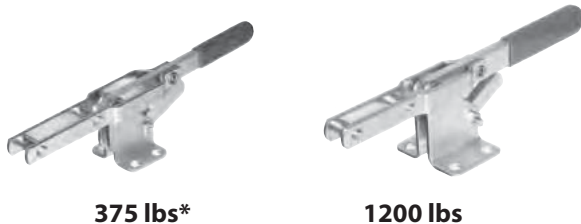
Similar to the latch clamp above, except with its pulling direction perpendicular to the base. Supplied with matching latch plate. Large, comfortable handle grip. Available in three sizes.



375 lbs* 1000 lbs

Adjustable Hook p. 499

Popular hook-type latch clamp. Hook is threaded at one end for easy adjustment. Base rotates 90° to allow horizontal or vertical latching. Available in two sizes.



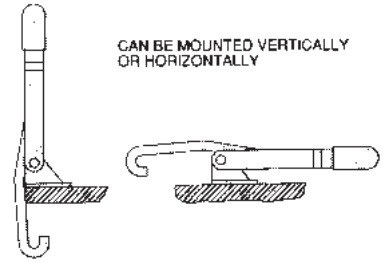
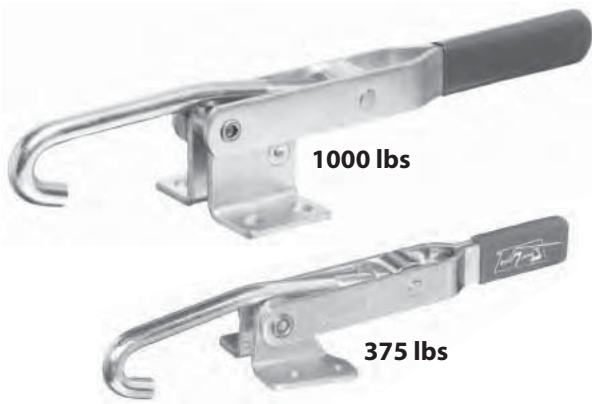
375 lbs* 1200 lbs

Fixed Length p. 505

Latch clamp with fixed reach for installation where no length adjustment is required. Adjustable stop allows latching at different heights. Available in two sizes.

LATCH-ACTION TOGGLE CLAMPS

INFO+: SEE PAGE 442 FOR MATERIAL SPECIFICATIONS



Latch clamp with a versatile hook for grasping a rod or rim. Hook is threaded at one end to allow adjustment after mounting. Base pivots to allow horizontal or vertical latching. Choice of two sizes. Optional latch plate can be mounted as shown in the drawings, or reversed, for mounting flexibility.

CL-250-PA

Medium-size latch clamp with a 4-inch drawing movement. Threaded hook allows a 5/16-inch adjustment range. Shipping weight 0.8 lbs. Order matching latch plate CL-250-PA-L separately (CL-250-PA-S-L in stainless).

Holding capacity: 375 lbs

CL-350-PA

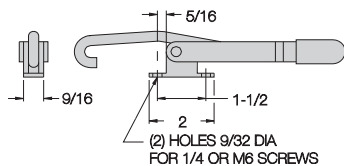
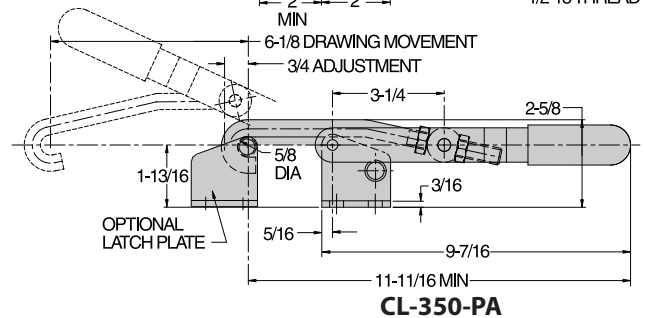
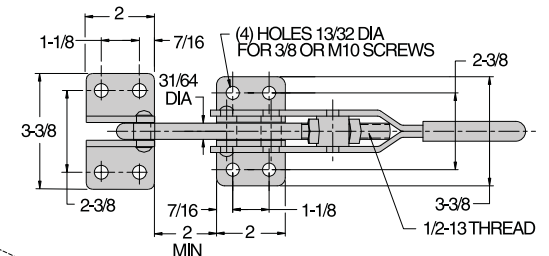
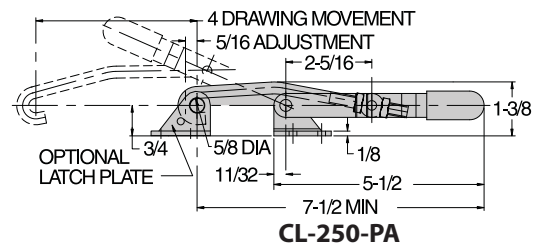
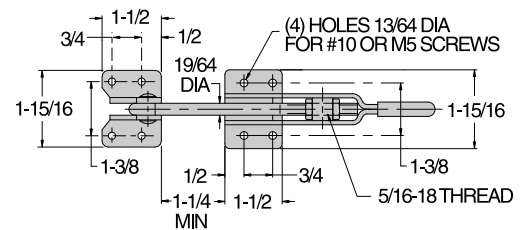
Large-capacity latch clamp with 6-1/8-inch drawing movement. Threaded hook allows a 3/4-inch adjustment range. Shipping weight 2.5 lbs. Order matching latch plate CL-350-PA-L separately.

Holding capacity: 1000 lbs

CL-257-PA

Same as CL-250-PA except with a manual safety lock. Push knob in to lock, pull knob out to unlock.

Holding capacity: 375 lbs



CL-251-PA
Narrow Base
375 lbs

Also available in stainless steel ...



CL-250-PA-S

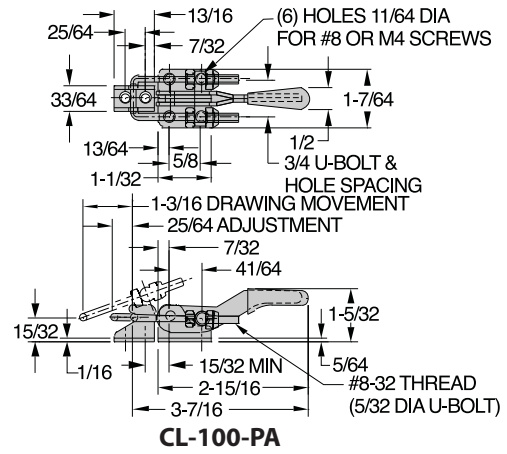
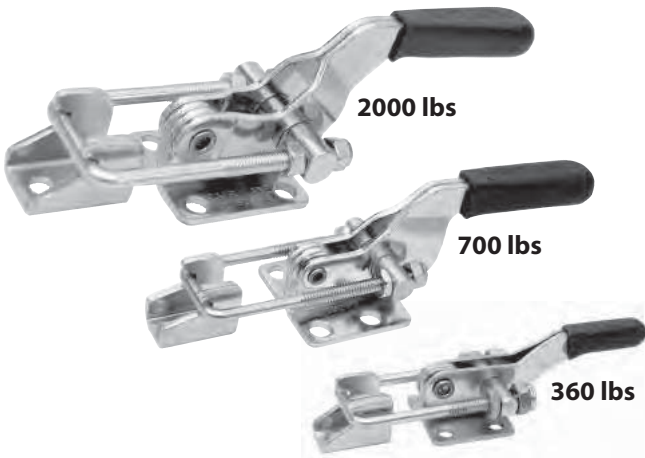
Extra hooks available ...



CL-250-PA-HOOK
CL-250-PA-S-HOOK
CL-350-PA-HOOK

LATCH-ACTION TOGGLE CLAMPS

INFO+: SEE PAGE 442 FOR MATERIAL SPECIFICATIONS



Versatile latch clamp with a threaded U bolt for adjustability. Supplied with matching latch plate. Large, comfortable handle grip. Available in three sizes (INFO+: See page 501 for two larger sizes).

CL-100-PA

Miniature latch clamp with high holding capacity. 1-3/16-inch drawing movement. Threaded U bolt allows a 25/64-inch adjustment range. Shipping weight 0.2 lbs.

Holding capacity: 360 lbs

CL-200-PA

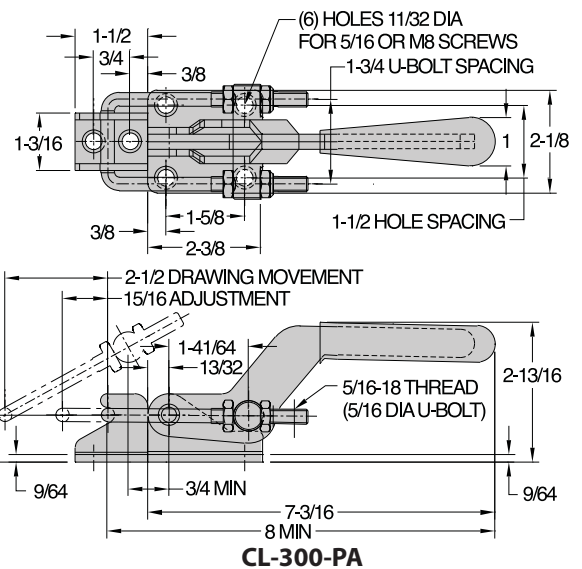
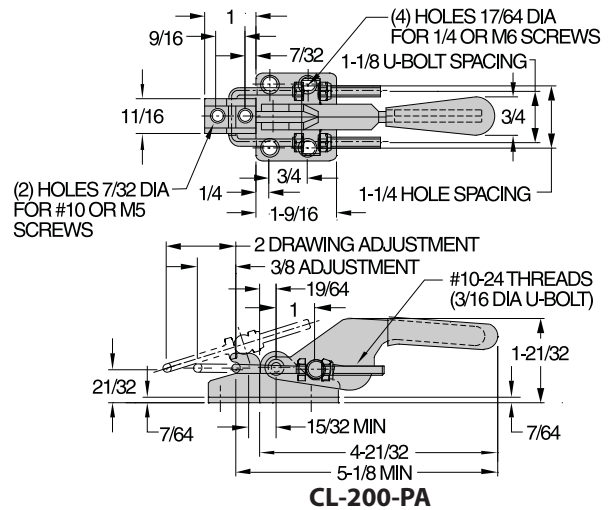
Medium-size latch clamp with 2-inch drawing movement. Threaded U bolt allows a 3/8-inch adjustment range. Shipping weight 0.4 lbs.

Holding capacity: 700 lbs

CL-300-PA

Heavy-duty latch clamp. Well-suited for applications such as plastic molding. 2-1/2-inch drawing movement. Threaded U bolt allows a 15/16-inch adjustment range. Shipping weight 1.5 lbs.

Holding capacity: 2000 lbs



Also available in stainless steel...



CL-100-PA-S
360 lbs



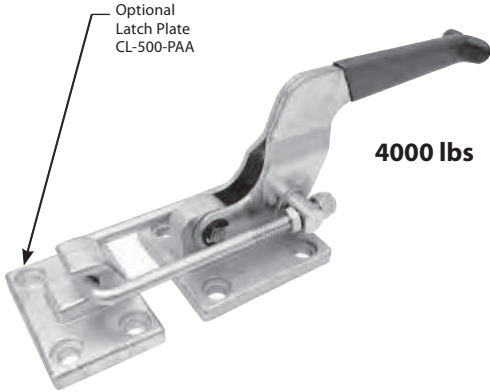
CL-200-PA-S
700 lbs



CL-300-PA-S
2000 lbs

LATCH-ACTION TOGGLE CLAMPS

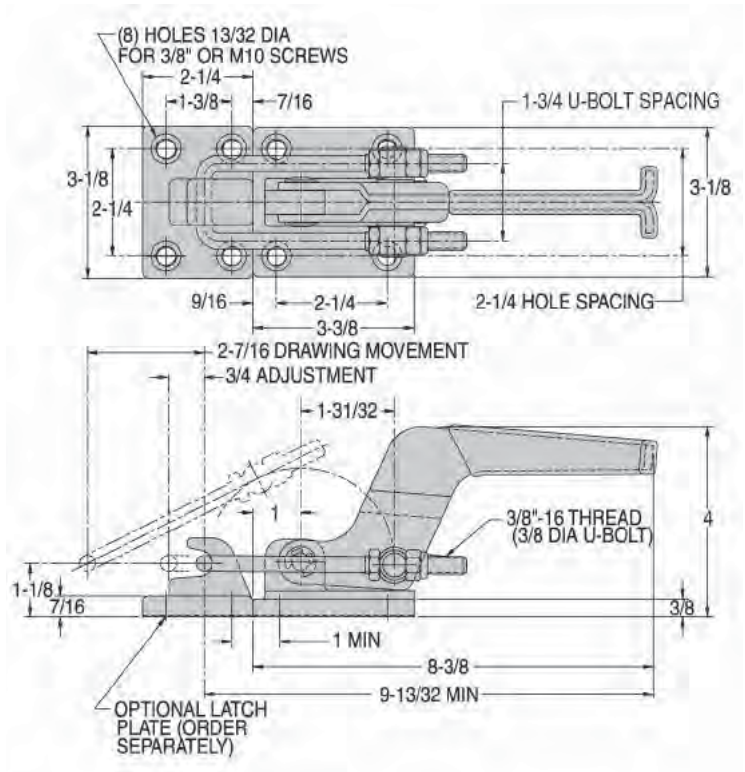
INFO+: SEE PAGE 442 FOR MATERIAL SPECIFICATIONS



CL-400-PA

INFO+: Heavier-duty version of the latch clamps on page 500. Strong enough to resist the high expansion forces generated in polyurethane molds. Rugged alloy steel base and latch plate (order latch plate separately). Threaded U bolt allows a 3/4-inch adjustment range. 2-7/16" drawing movement. Shipping weight 2.8 lbs.

Holding capacity: 4000 lbs



LATCH-ACTION TOGGLE CLAMPS

INFO+: SEE PAGE 442 FOR MATERIAL SPECIFICATIONS

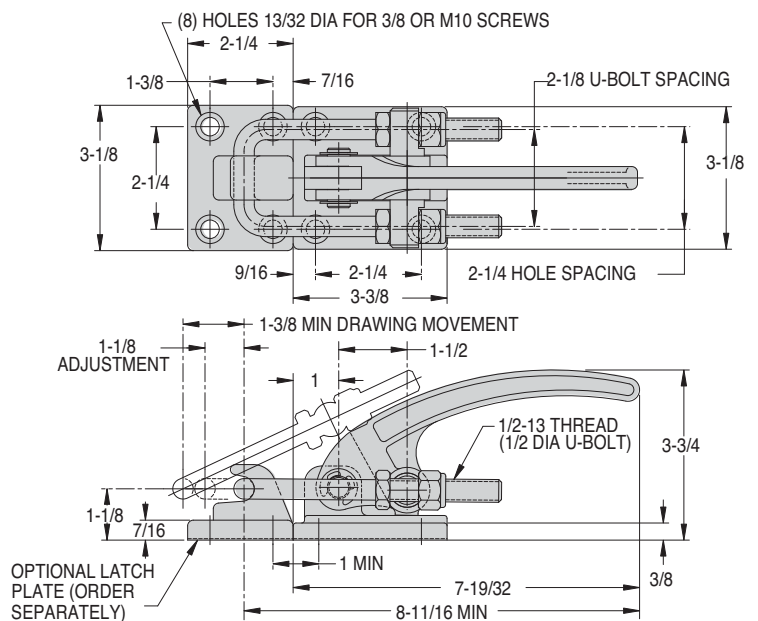
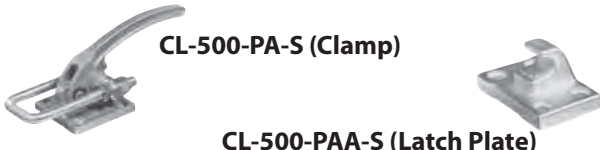


CL-500-PA

Strongest latch clamp available. Alloy steel handle provides even greater strength than the CL-400-PA above, yet with a more-compact overall size. Rugged alloy steel base and latch plate (order latch plate separately). Threaded U bolt allows a 1-1/8-inch adjustment range. 1-3/8" drawing movement. Shipping weight 3.3 lbs.

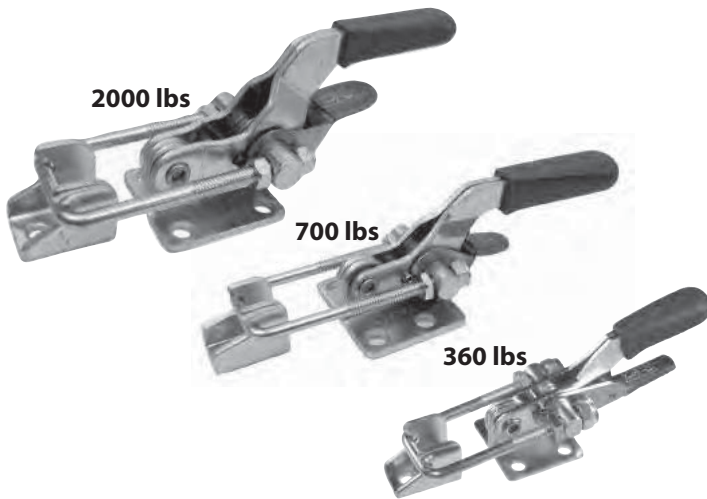
Holding capacity: 7500 lbs

Also available in stainless steel...



LATCH-ACTION TOGGLE CLAMPS

INFO+: SEE PAGE 442 FOR MATERIAL SPECIFICATIONS



INFO+: Same as our latch clamps on page 498 except with safety-lock feature. This safety lock automatically engages when the clamp is closed, then remains locked until manually disengaged by pressing the lever before opening. This prevents the latch clamp from being accidentally opened by bumping the handle.

Versatile latch clamp with a threaded U bolt for adjustability. Supplied with matching latch plate. Large, comfortable handle grip. Available in two sizes (INFO+: also see page 501 for two larger sizes).

CL-100-LPA

Miniature latch action clamp with high holding capacity. 1-3/16-inch drawing movement. Threaded U bolt allows a 25/64-inch adjustment range. Shipping weight 0.2 lbs.

Holding capacity:

360 lbs

CL-200-LPA

Medium-size latch clamp with 2-inch drawing movement. Threaded U bolt allows a 3/8-inch adjustment range. Shipping weight 0.4 lbs.

Holding capacity:

700 lbs

CL-300-LPA

Heavy-duty latch clamp. Well-suited for applications such as plastic molding. 2-1/2-inch drawing movement. Threaded U bolt allows a 15/16-inch adjustment range. Shipping weight 1.5 lbs.

Holding capacity:

2000 lbs

Also available in stainless steel...



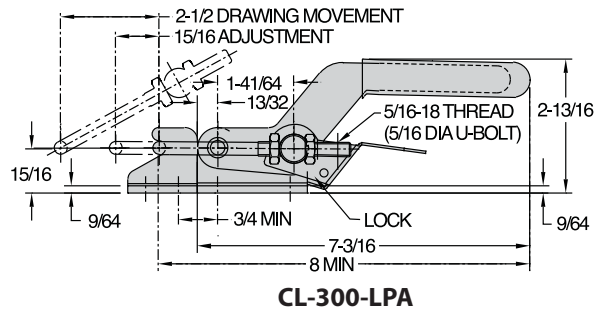
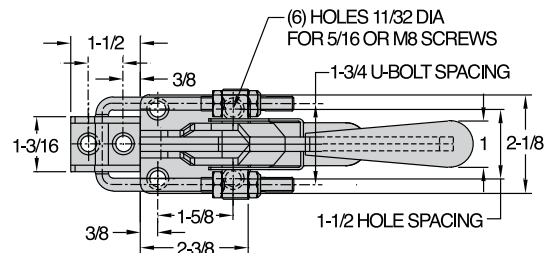
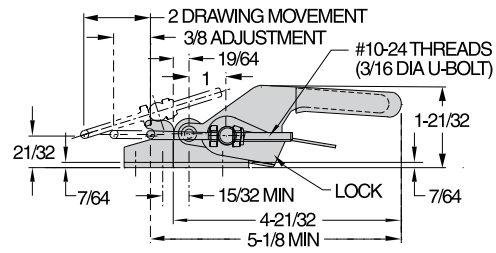
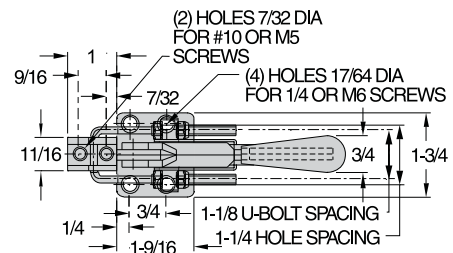
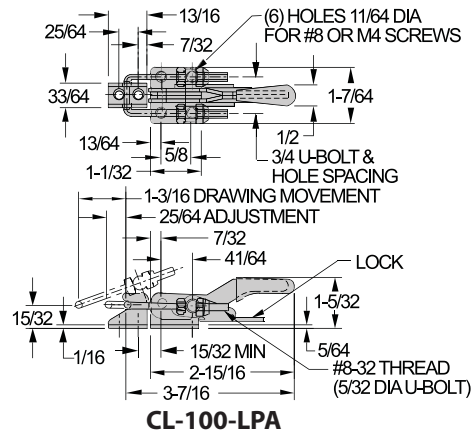
CL-100-LPA-S
360 lbs



CL-200-LPA-S
700 lbs

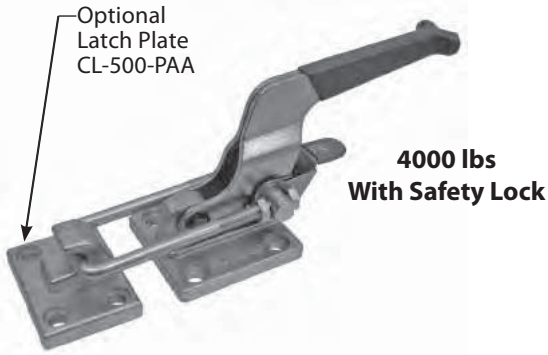


CL-300-LPA-S
2000 lbs



LATCH-ACTION TOGGLE CLAMPS

INFO+: SEE PAGE 442 FOR MATERIAL SPECIFICATIONS

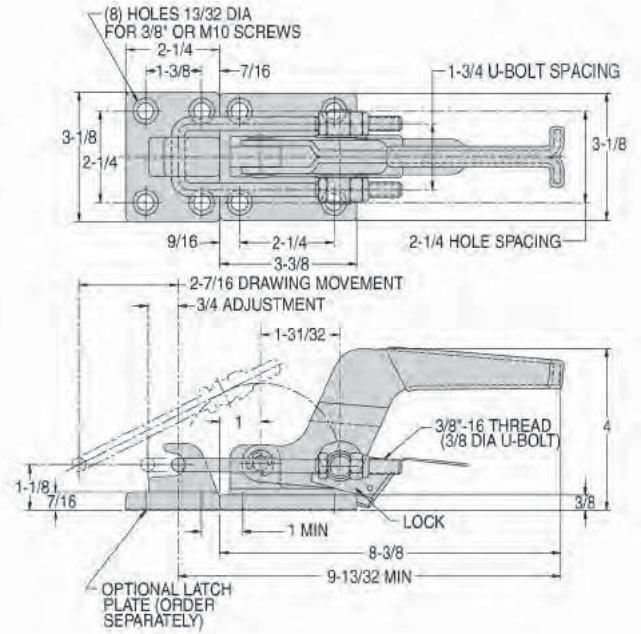
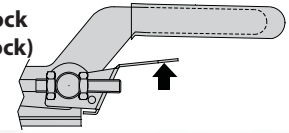


CL-400-LPA

INFO+: Same as our latch clamps on page 501 except with our unique safety-lock feature. This safety lock automatically engages when the clamp is closed, then remains locked until manually disengaged by pressing the lever before opening. This prevents the latch clamp from being accidentally opened by bumping the handle. Rugged alloy steel base and latch plate (order latch plate separately). Threaded U bolt allows a 3/4-inch adjustment range. 2-7/16" drawing movement. Shipping weight 2.8 lbs.

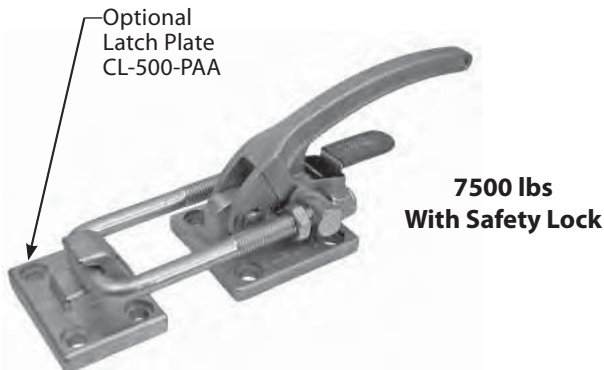
Holding capacity: **4000 lbs**

Optional Safety Lock
(Press lever to unlock)



LATCH-ACTION TOGGLE CLAMPS

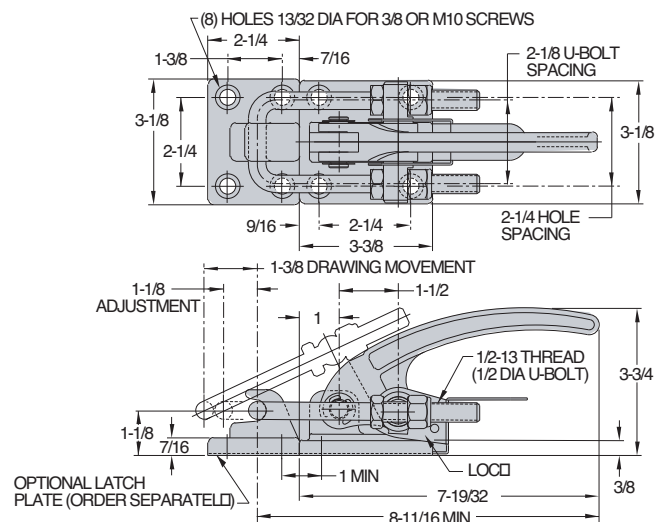
INFO+: SEE PAGE 442 FOR MATERIAL SPECIFICATIONS



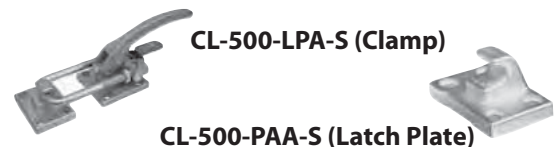
CL-500-LPA

INFO+: Same as our latch clamps on page 501 except with our unique safety-lock feature. This safety lock automatically engages when the clamp is closed, then remains locked until manually disengaged by pressing the lever before opening. This prevents the latch clamp from being accidentally opened by bumping the handle. Rugged alloy steel base and latch plate (order latch plate separately). Threaded U bolt allows a 1-1/8-inch adjustment range. 1-3/8" drawing movement. Shipping weight 3.3 lbs.

Holding capacity: **7500 lbs**

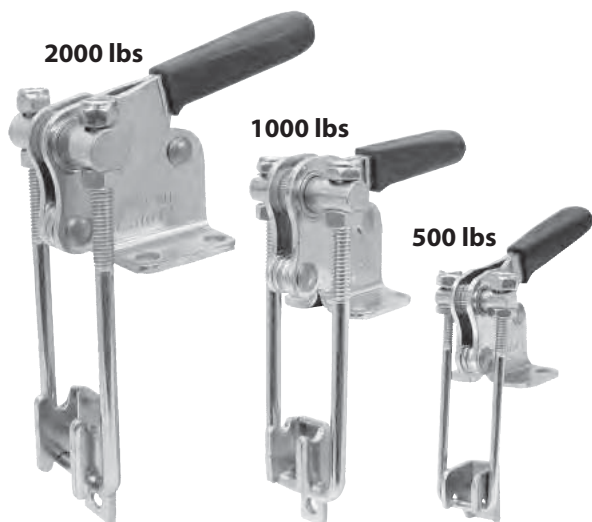


Also available in stainless steel...



LATCH-ACTION TOGGLE CLAMPS

INFO+: SEE PAGE 442 FOR MATERIAL SPECIFICATIONS



INFO+: Similar to the adjustable-U-bolt latch clamps on page 500, except with their pulling direction perpendicular to the base. Supplied with matching latch plate. Large, comfortable handle grip. Available in three sizes.

CL-110-PA

Miniature latch clamp with high holding capacity. 1-1/2-inch drawing movement. Threaded U bolt allows a 7/16-inch adjustment range. Shipping weight 0.3 lbs.

Holding capacity: 500 lbs

CL-210-PA

Medium-size latch clamp with 2-1/16-inch drawing movement. Threaded U bolt allows an 11/16-inch adjustment range. Shipping weight 0.6 lbs.

Holding capacity: 1000 lbs

CL-310-PA

Heavy-duty latch clamp. Well-suited for applications such as plastic molding. 2-1/2-inch drawing movement. Threaded U bolt allows an 1-1/8-inch adjustment range. Shipping weight 1.4 lbs.

Holding capacity: 2000 lbs

Also available in stainless steel...



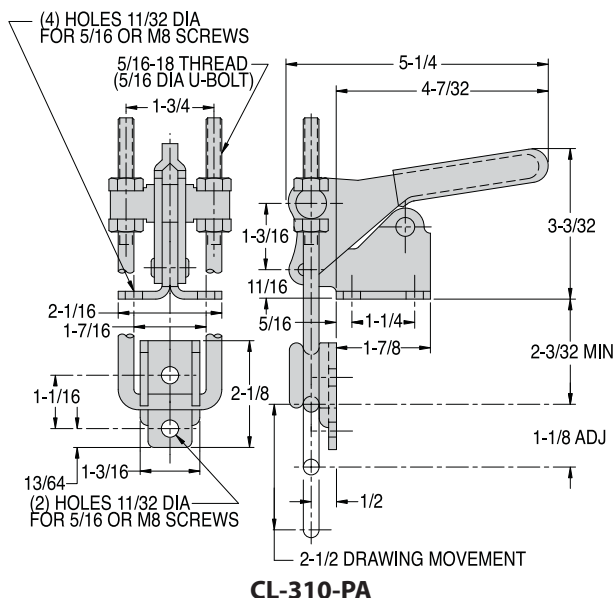
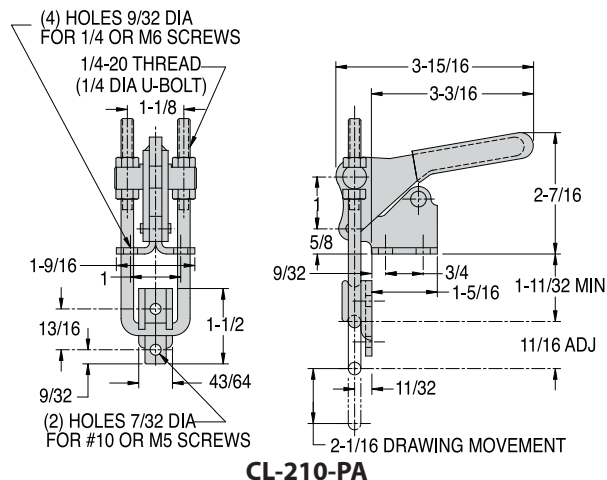
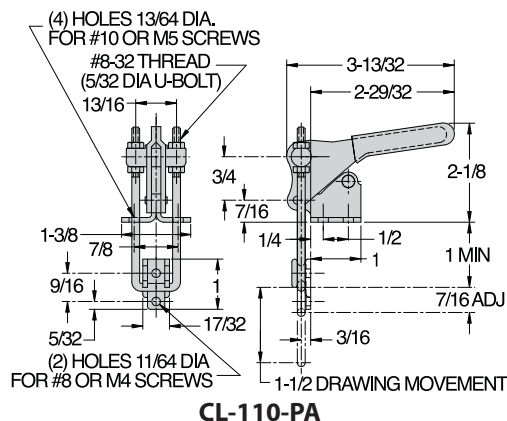
CL-110-PA-S
500 lbs



CL-210-PA-S
1000 lbs

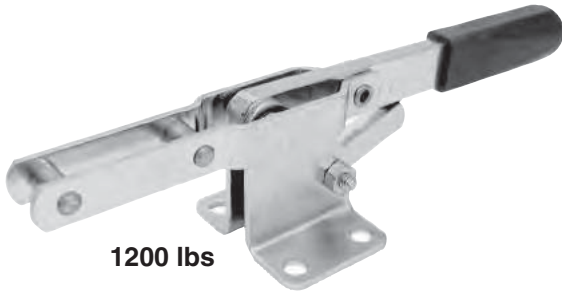


CL-310-PA-S
2000 lbs



LATCH-ACTION TOGGLE CLAMPS

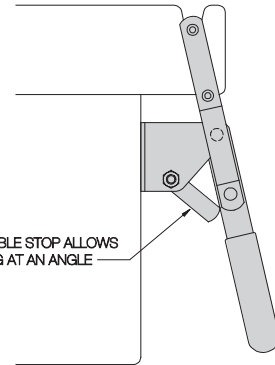
INFO+: SEE PAGE 442 FOR MATERIAL SPECIFICATIONS



1200 lbs



375 lbs



ADJUSTABLE STOP ALLOWS LATCHING AT AN ANGLE

Latch clamp with fixed reach for installation where no length adjustment is required. An adjustable stop allows latching at different angles. Available in two sizes.

CL-150-PA

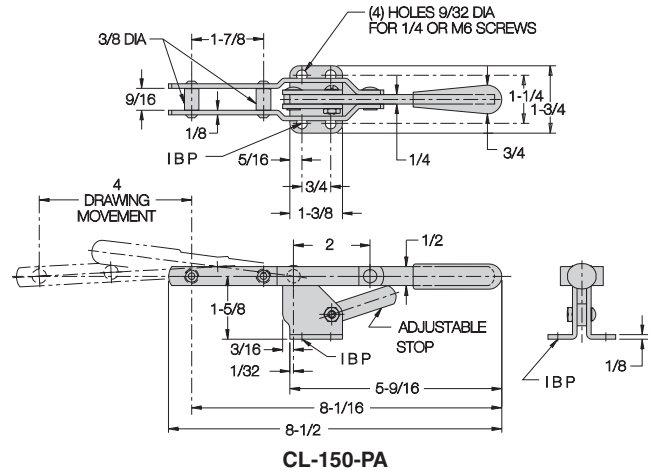
Medium-size clamp with 4-inch drawing movement. Shipping weight 0.8 lbs.

Holding capacity: 375 lbs

CL-170-PA

Larger clamp with 3-3/8-inch drawing movement. Shipping weight 1.2 lbs.

Holding capacity: 1200 lbs

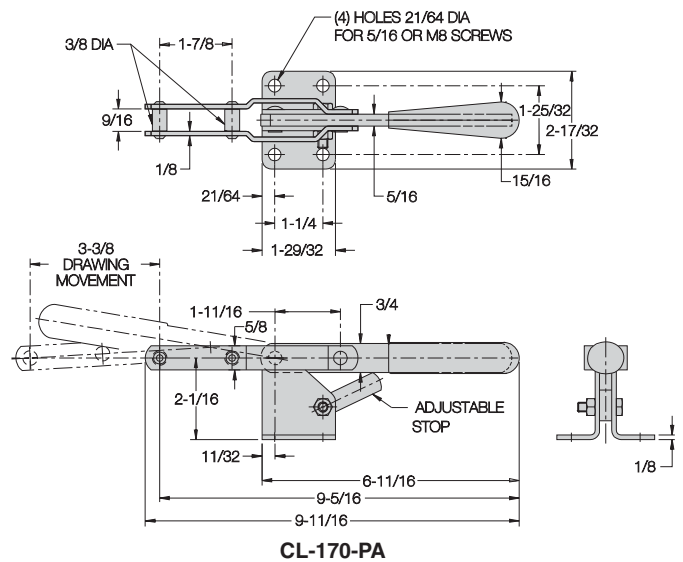


CL-150-PA

Also available in stainless steel...

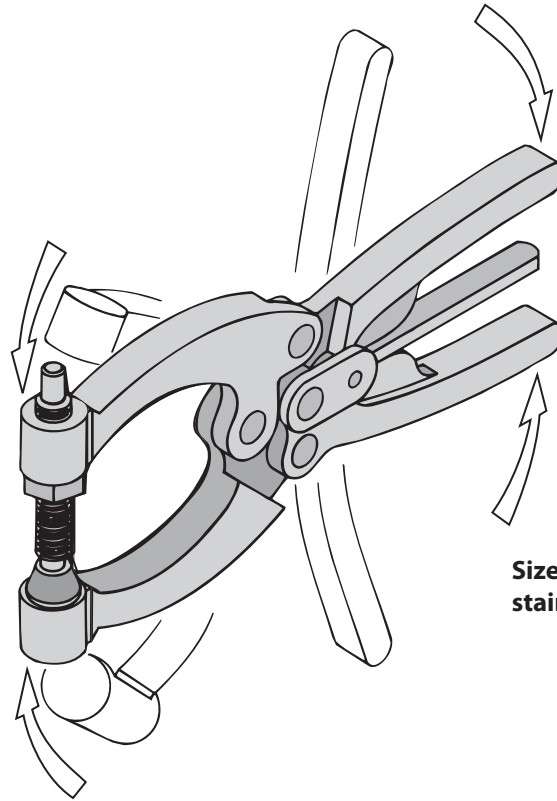


CL-150-PA-S



CL-170-PA

TOGGLE PLIERS



Sizes marked * are also available in stainless steel

All Carr Lane Manufacturing toggle clamps are DFARS and RoHS compliant.



200 lbs

350 lbs

700 lbs

700 lbs

700 lbs

Forged Toggle Pliers pp. 507-509

Powerful forged steel toggle pliers. Available in five sizes. Larger sizes feature a quick-release lever for easy opening.



800 lbs*

Permanently Attached p. 510

Handy weld-on/bolt-on clamp for holding down lids, covers etc. Clamping jaw opens a full 90° for extra clearance.



800 lbs

Toggle Bar Clamps p. 510

Multi-purpose bar clamp, with forged steel clamping jaw. Order with optional lower jaw, or attach bar by welding.

TOGGLE PLIERS

INFO+: SEE PAGE 442 FOR MATERIAL SPECIFICATIONS

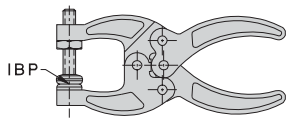
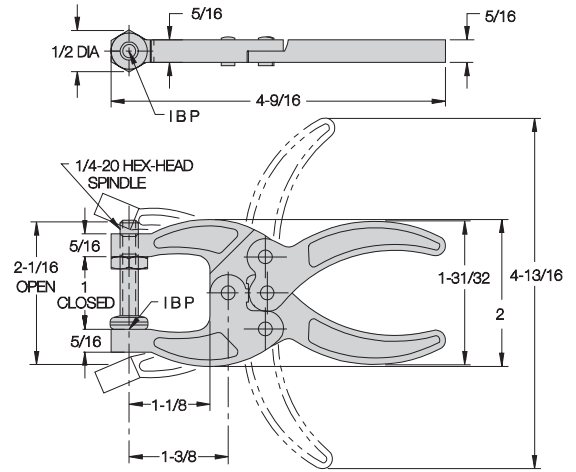


200 lbs

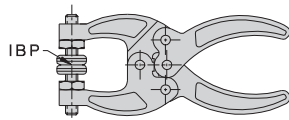
CL-50-PL

Tiny-yet-powerful toggle pliers made of forged steel. 1-inch jaw width. Supplied with 1/4-20 vinyl-coated hex-head spindle CL-14208-SA. Optionally available as CL-50-PL-2 with a bottom-jaw cushion, or as CL-50-PL-3 with (2) vinyl-coated hex-head spindles, CL-14100-SA. Shipping weight 0.4 lbs.

Holding capacity: 200 lbs



CL-50-PL-2
Hex-Head Spindle
and Bottom Cushion



CL-50-PL-3
Dual Hex-Head Spindle

TOGGLE PLIERS

INFO+: SEE PAGE 442 FOR MATERIAL SPECIFICATIONS

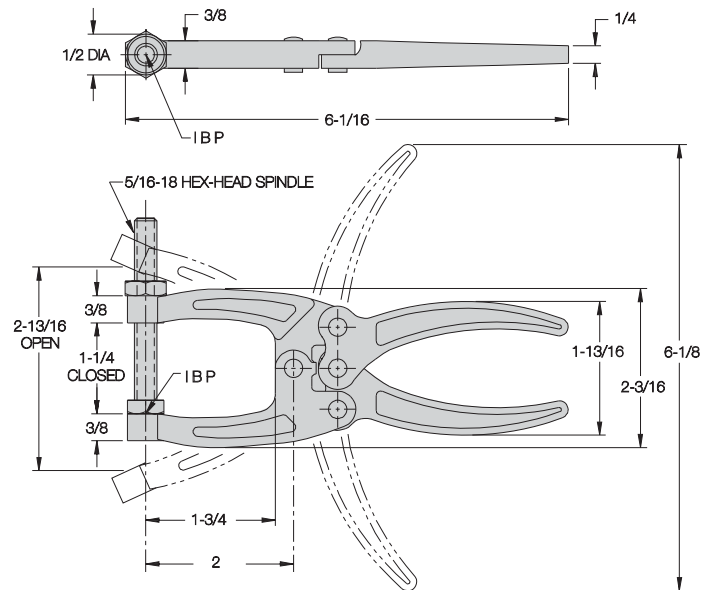


350 lbs

CL-150-PL

Medium-size toggle pliers made of forged steel. 1-1/4-inch jaw width. Supplied with 5/16-18 hex-head spindle CL-516212-SA. Shipping weight 0.5 lbs.

Holding capacity: 350 lbs



TOGGLE PLIERS

INFO+: SEE PAGE 442 FOR MATERIAL SPECIFICATIONS



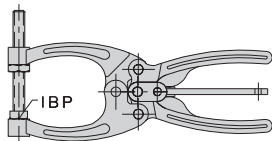
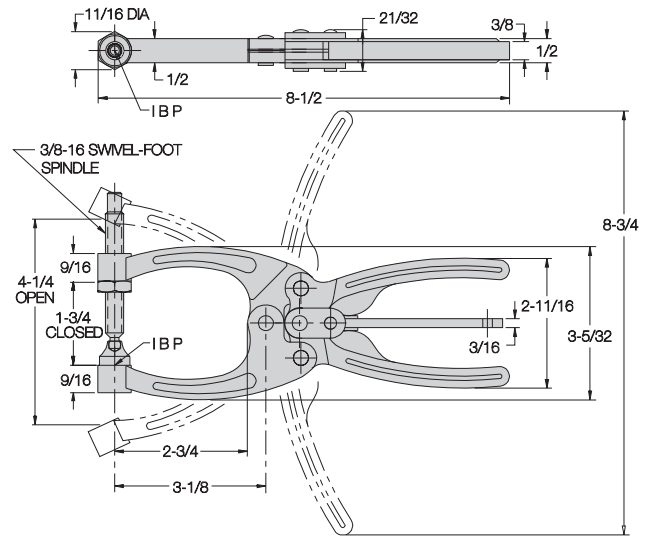
700 lbs

CL-254-PL

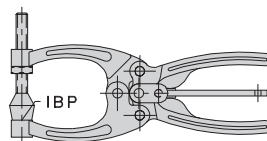
Heavy-duty toggle pliers made of forged steel. 1-3/4 inch jaw width. Two-way quick-release lever for easy opening. Supplied with 3/8-16 swivel-foot spindle CL-38314-SF. Optionally available as CL-250-PL with hex-head spindle CL-38314-SA, as CL-254-PL-2 with (2) hex-head spindles CL-38314-SA, or as CL-252-PL with flat-cushion spindle CL-38314-FC. Shipping weight 1.3 lbs.

Holding capacity:

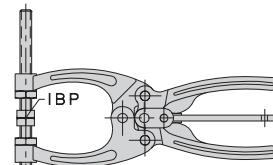
700 Lbs



CL-250-PL
Hex-Head Spindle



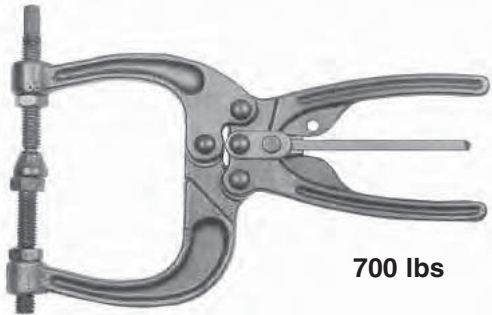
CL-252-PL
Flat Cushion Spindle



CL-254-PL-2
Dual Hex-Head Spindle

TOGGLE PLIERS

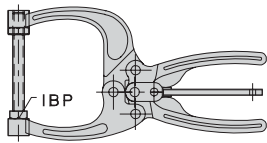
INFO+: SEE PAGE 442 FOR MATERIAL SPECIFICATIONS



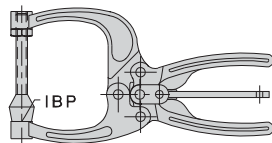
CL-454-PL

Wide-jaw heavy-duty toggle pliers made of forged steel. 3-inch jaw width. Two-way quick-release lever for easy opening. Supplied with 3/8-16 swivel-foot spindle CL-38314-SF and hex-head spindle CL-38314-SA. Optionally available as CL-450-PL with single hex-head spindle CL-38314-SA, or as CL-452-PL with a single flat-cushion spindle CL-38314-FC. Shipping weight 1.4 lbs.

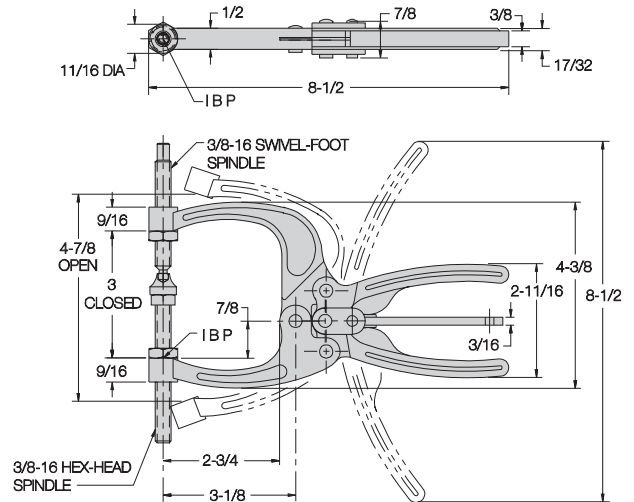
Holding capacity: 700 lbs



CL-450-PL
Hex-Head Spindle

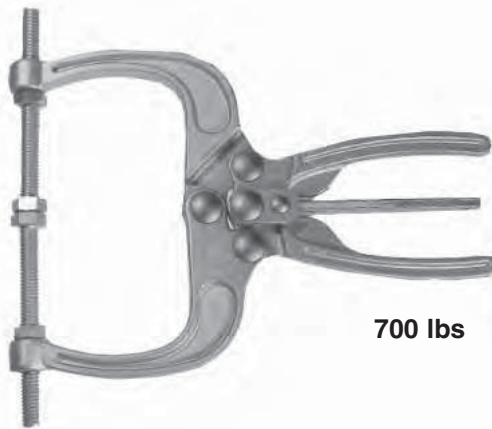


CL-452-PL
Flat-Cushion Spindle



TOGGLE PLIERS

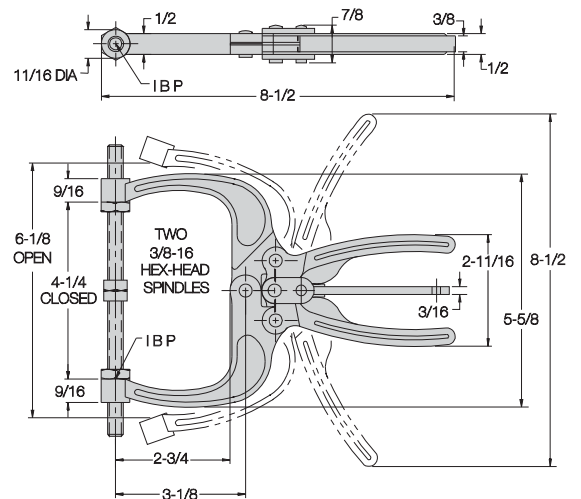
INFO+: SEE PAGE 442 FOR MATERIAL SPECIFICATIONS



CL-550-PL

Extra-wide-jaw heavy-duty toggle pliers made of forged steel. 4-1/4-inch jaw width. Two-way quick-release lever for easy opening. Supplied with (2) 3/8-16 hex-head spindles CL-38314-SA. Shipping weight 1.6 lbs.

Holding capacity: 700 lbs



11

TOGGLE PLIERS

INFO+: SEE PAGE 442 FOR MATERIAL SPECIFICATIONS



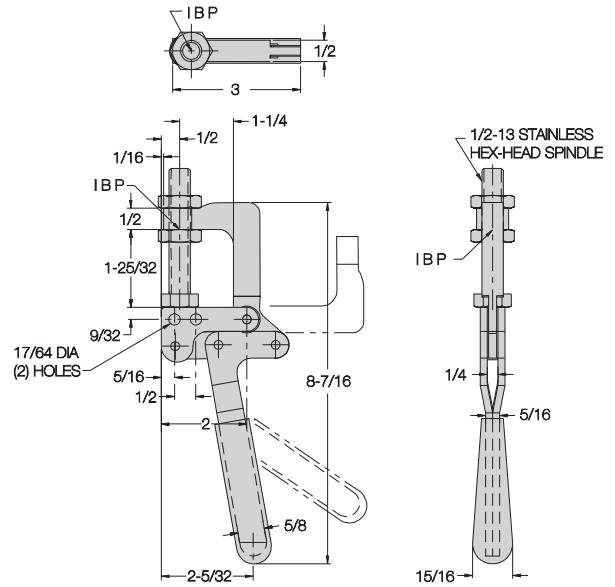
800 lbs
Stainless

CL-325-PL-S

Handy weld-on/bolt-on stainless steel clamp for holding down lids, covers, etc. Clamping jaw opens a full 90° for extra clearance, while handle moves 50°. Supplied with 1/2-13 stainless hex-head spindle CL-12234-SA-S. Shipping weight 1.0 lbs.

Holding capacity:

800 lbs



TOGGLE PLIERS

INFO+: SEE PAGE 442 FOR MATERIAL SPECIFICATIONS



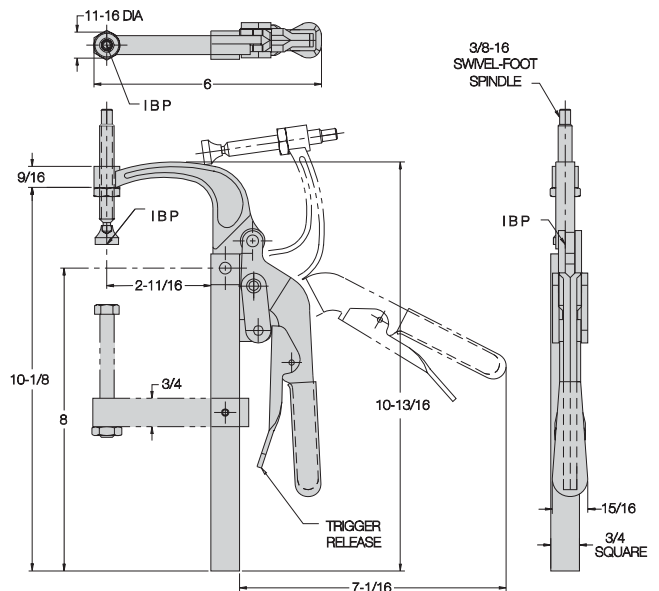
800 lbs

CL-345-PL

Multi-purpose bar clamp with forged steel clamping jaw. Order with optional lower jaw CL-345-PLA, or attach bar by welding. Jaw opens 84° while handle moves 60°. Supplied with 3/8-16 swivel-foot spindle CL-38314-SF. Shipping weight 2.7 lbs.

Holding capacity:

800 lbs

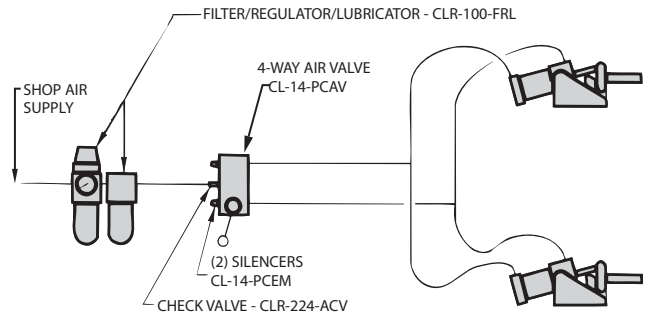
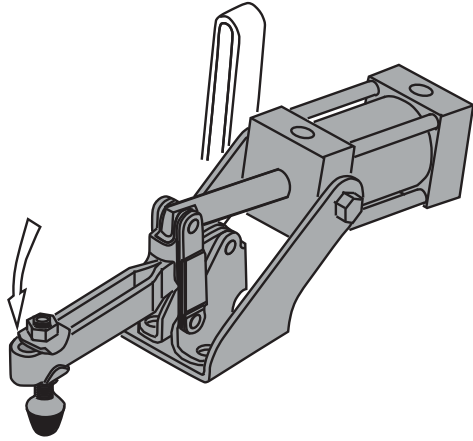


Optional lower jaw . . .



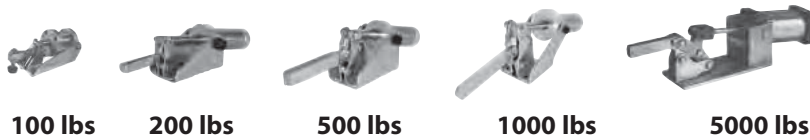
CL-345-PLA

AIR-POWERED CLAMPS



All Carr Lane Manufacturing toggle clamps are DFARS and RoHS compliant.

Toggle Hold-Down Clamps pp. 512-516



100 lbs

200 lbs

500 lbs

1000 lbs

5000 lbs

Similar to a vertical-handle hold-down clamp, except linkage is operated by a double-acting air cylinder instead of by hand. Toggle linkage provides high holding capacity and insures positive mechanical locking even if air pressure fails.

Toggle Push Clamps pp. 517-518



100 lbs

850 lbs

Similar to a manual plunger clamp, except linkage is operated by a double-acting air cylinder instead of by hand. Toggle linkage provides high holding capacity and insures positive mechanical locking even if air pressure fails.

Swing Clamps pp. 619-620



14 lbs

25 lbs

66 lbs

100 lbs

165 lbs

277 lbs

Hold-down clamp with a clamping arm that rotates 90° for clear loading. Sturdy helical-cam mechanism first rotates arm, then clamps down. Double acting.



Clamping Valves



Check Valves



Exhaust Mufflers



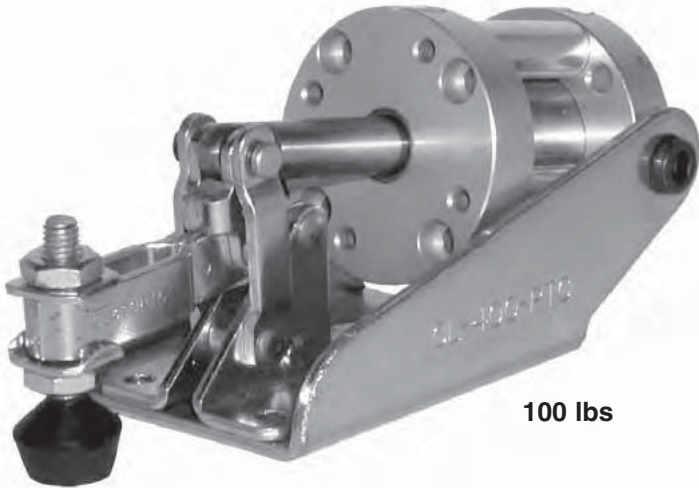
Air Fittings

Air Accessories p. 519

Complete selection of accessories including clamping valves, check valves, exhaust mufflers, and air fittings.

AIR-POWERED TOGGLE CLAMPS

INFO+: SEE PAGE 442 FOR MATERIAL SPECIFICATIONS



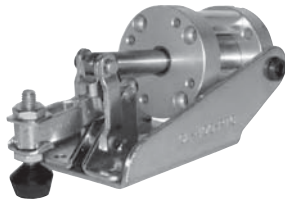
100 lbs

CL-400-PTC

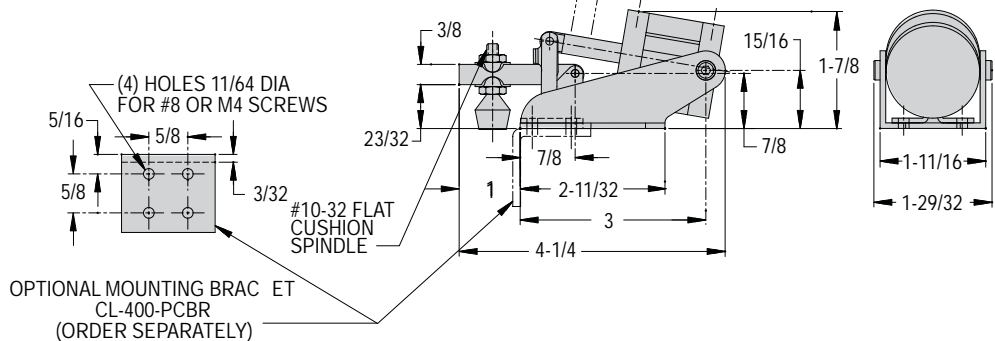
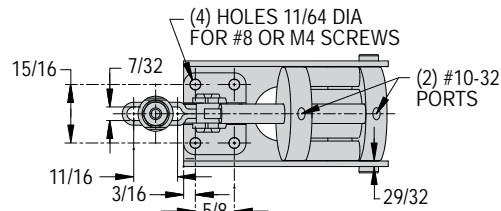
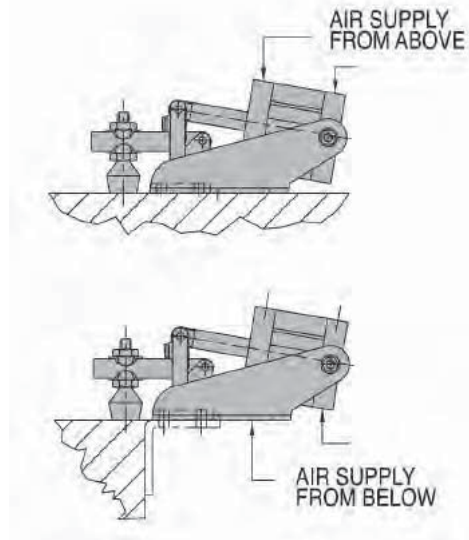
Super-compact hold-down clamp for applications where space is at a premium. Open arm allows spindle adjustment. Toggle linkage provides high holding capacity and insures positive mechanical locking even if air pressure fails. Arm opens 100°. 3/4"-bore double-acting air cylinder with #10-32 ports (INFO+: see page 519 to order fittings). Supplied with #10-32 flat-cushion spindle CL-316112-FC and (2) CL-3166-TW flanged washers. 100-psi maximum input air pressure. Shipping weight 0.8 lbs. An optional bracket for side mounting is also available (CL-400-PCBR).

Holding capacity: 100 lbs
Clamping force at 100 psi, at center of arm: 100 lbs

Also available with position sensing...

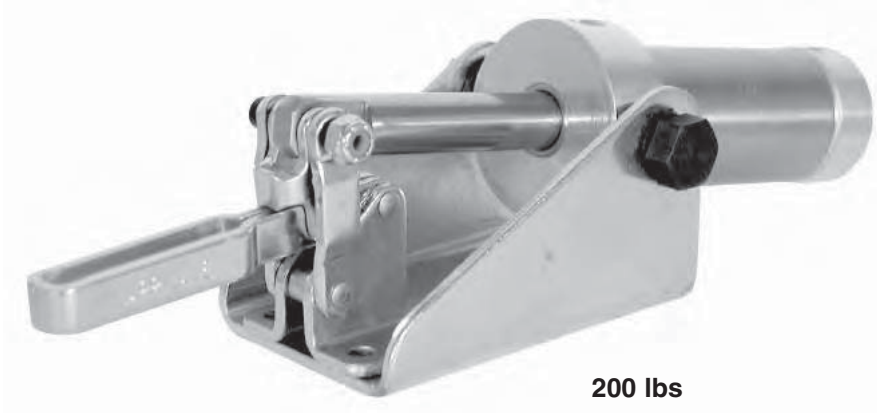


Please see our web catalog for more information.



AIR-POWERED TOGGLE CLAMPS

INFO+: SEE PAGE 442 FOR MATERIAL SPECIFICATIONS



200 lbs

CL-500-PTC

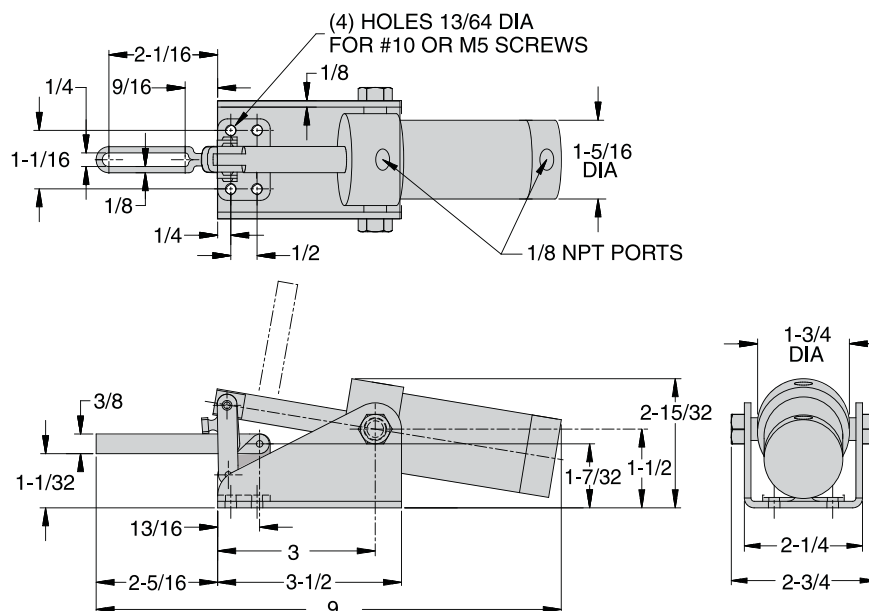
Small-yet-powerful hold-down clamp with a long open arm. Toggle linkage provides high holding capacity and insures positive mechanical locking even if air pressure fails. Arm opens 100°. 1-1/4"-bore double-acting air cylinder with 1/8"-NPT ports. Accepts any 1/4"-20 short spindle and (2) CL-148-TW flanged washers. **INFO+**: See pages 520-524 to order. 100-psi maximum input air pressure. Shipping weight 2.5 lbs.

Holding capacity: 200 lbs
Clamping force at 100 psi, at center of arm: 200 lbs

Also available with position sensing:

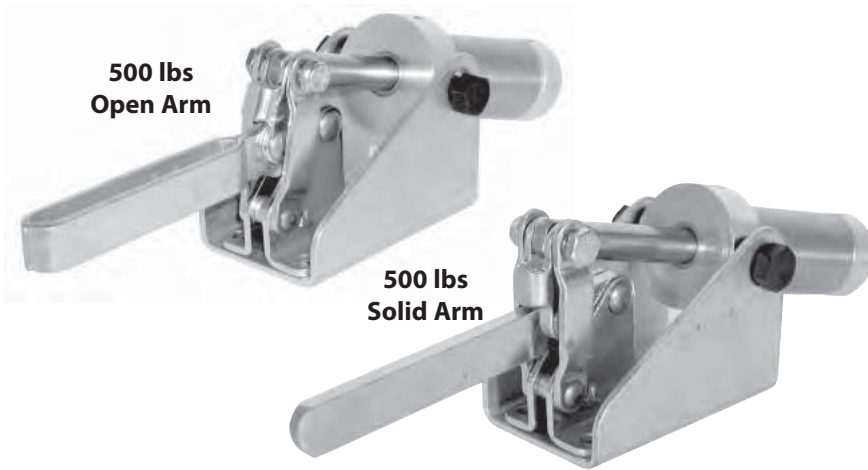


Please see our web catalog for more information.



AIR-POWERED TOGGLE CLAMPS

INFO+: SEE PAGE 442 FOR MATERIAL SPECIFICATIONS



CL-1000-PTC CL-1001-PTC

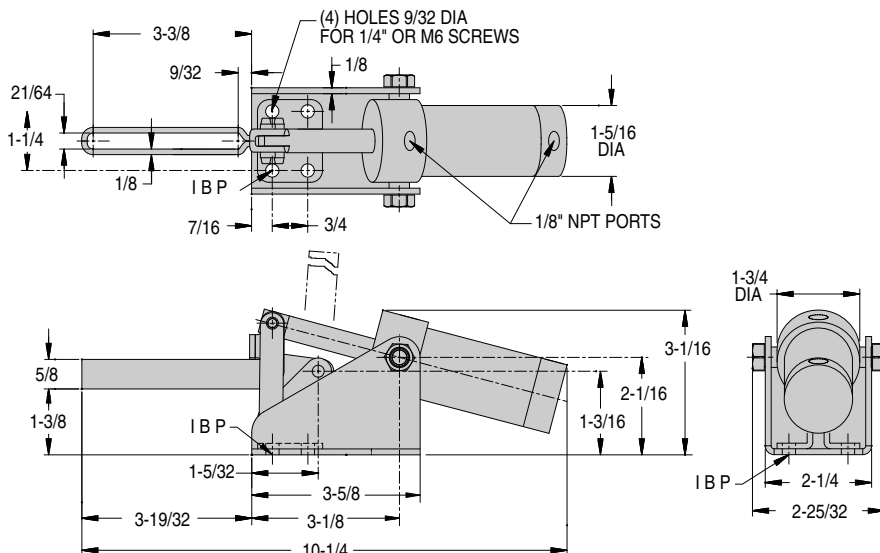
Popular medium-size hold-down clamp available with a solid arm, or an open arm for spindle adjustment. Toggle linkage provides high holding capacity and insures positive mechanical locking even if air pressure fails. Arm opens 92°. 1-1/4"-bore double-acting air cylinder with 1/8"-NPT ports. Accepts any 5/16-18 short spindle and (2) CL-51610-TW flanged washers. **INFO+**: See pages 520-524 to order. Solid-arm version accepts a CL-518000-BR bolt retainer. 100-psi maximum input air pressure. Shipping weight 3.0 lbs.

Holding capacity: 500 lbs
Clamping force at 100 psi, at center of arm: 390 lbs

Also available with position sensing:

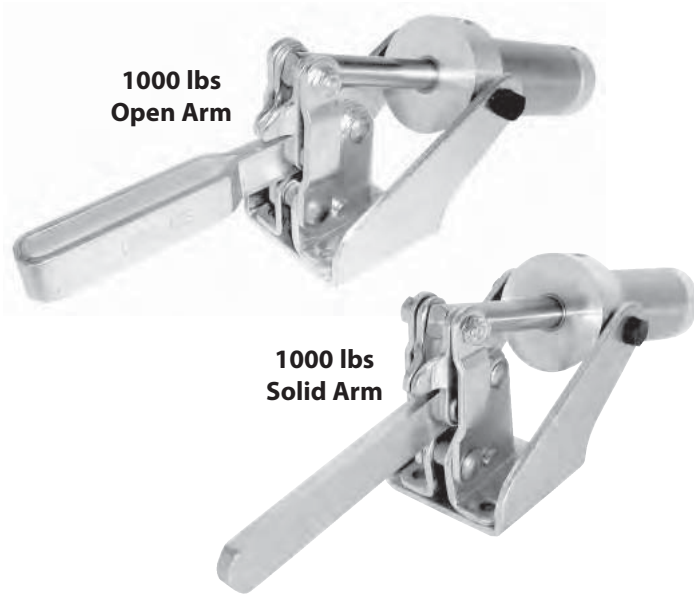


Please see our web catalog for more information.



AIR-POWERED TOGGLE CLAMPS

INFO+: SEE PAGE 442 FOR MATERIAL SPECIFICATIONS



CL-2000-PTC CL-2001-PTC

Open Arm

Solid Arm

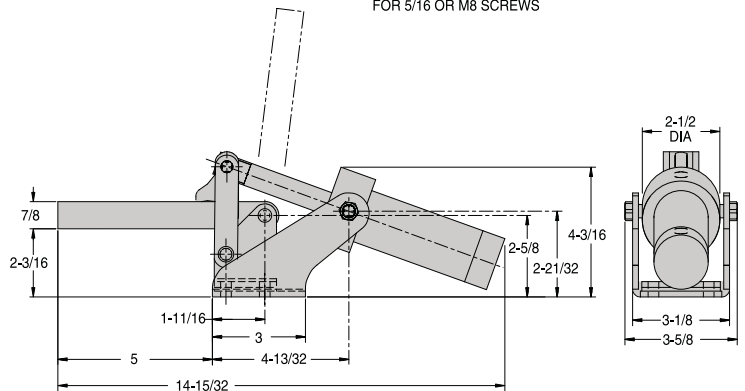
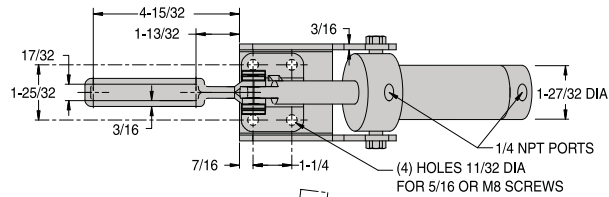
Extra-large hold-down clamp available with a solid arm, or an open arm for spindle adjustment. Toggle linkage provides high holding capacity and insures positive mechanical locking even if air pressure fails. Arm opens 83°. 1-3/4" bore double-acting air cylinder with 1/4-NPT ports. Accepts any 1/2-13 spindle and (2) CL-1213-TW flanged washers. **INFO+**: See pages 520-524 to order. Solid-arm version accepts a CL-113000-BR bolt retainer. 100 psi maximum input air pressure. Shipping weight 6.0 lbs.

Holding capacity: 1000 lbs
Clamping force at 100 psi, at center of arm: 680 lbs

Also available with position sensing:

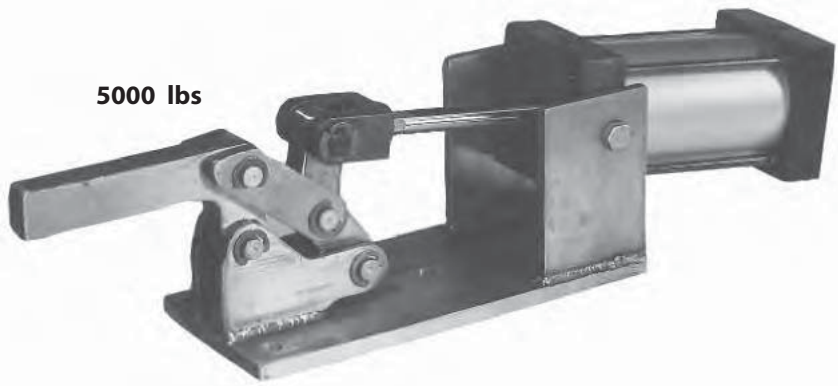


Please see our web catalog for more information.



AIR-POWERED TOGGLE CLAMPS

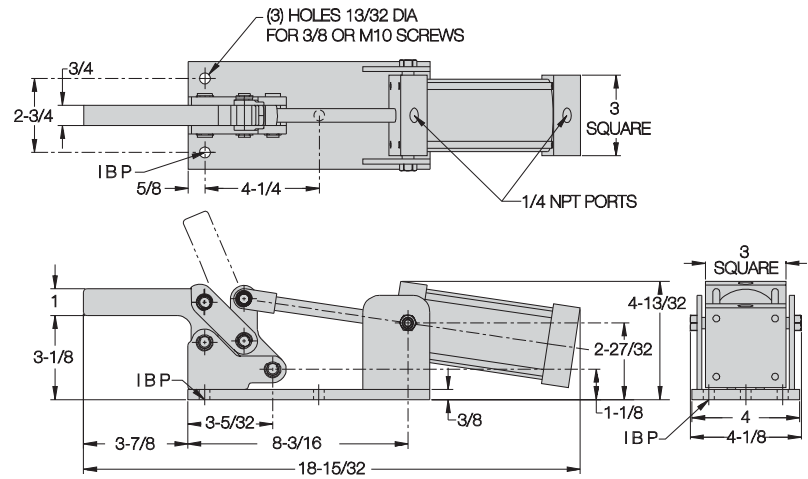
INFO+: SEE PAGE 442 FOR MATERIAL SPECIFICATIONS



CL-3000-PTC

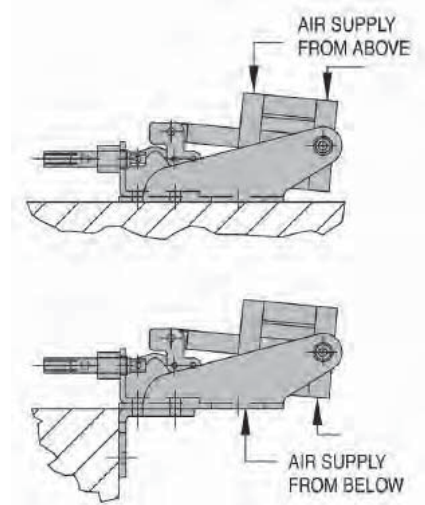
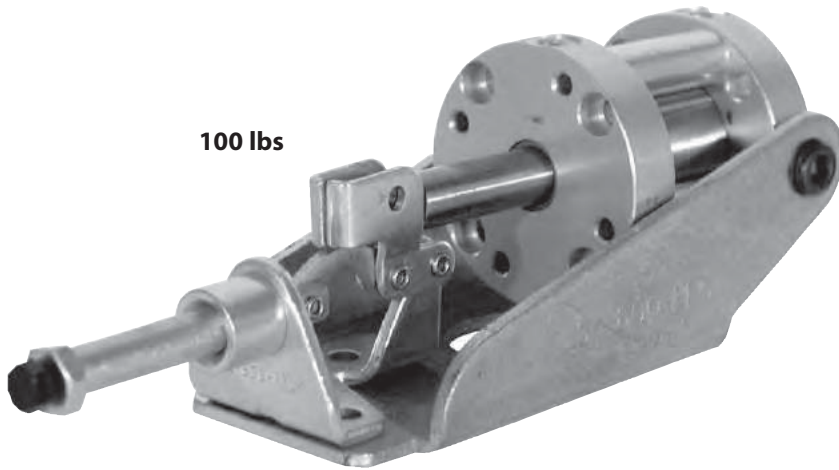
Heavy-duty hold-down clamp with a solid forged steel clamping arm. Toggle linkage provides high holding capacity and insures positive mechanical locking even if air pressure fails. Arm opens 83°. 2-1/2"-bore double-acting air cylinder with 1/4-NPT ports. 150-psi maximum input air pressure. Shipping weight 15.0 lbs.

Holding capacity: 5000 lbs
Clamping force at 100 psi, at center of arm: 1600 lbs



AIR-POWERED TOGGLE CLAMPS

INFO+: SEE PAGE 442 FOR MATERIAL SPECIFICATIONS



CL-600-PPC

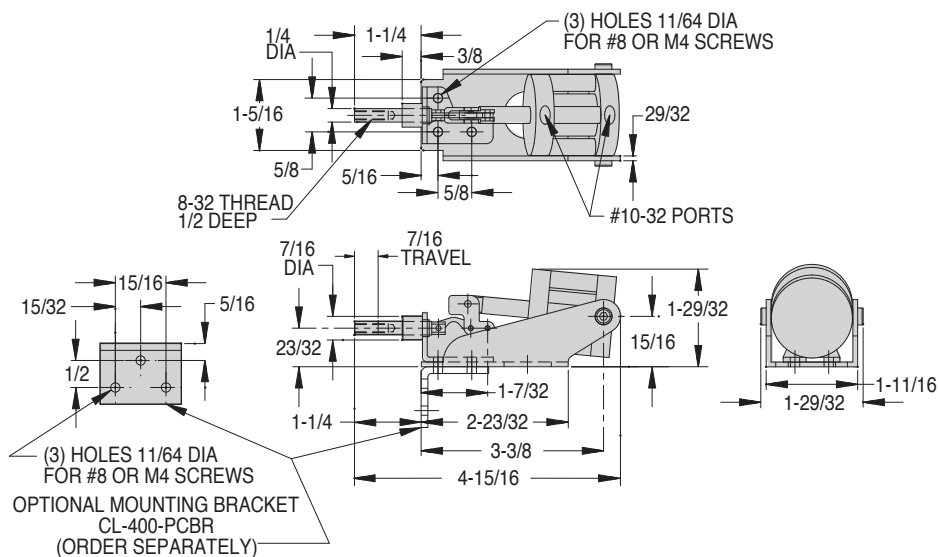
Super-compact plunger clamp. Toggle linkage provides high holding capacity and insures positive mechanical locking even if air pressure fails. 7/16" plunger travel. 3/4"-bore double-acting air cylinder with #10-32 ports (see page 501 to order fittings). Supplied with #8-32 nylon hex-head spindle CL-832203-SA. 100-psi maximum input air pressure. Shipping weight 0.8 lbs. An optional bracket for side mounting is also available (CL-400-PCBR).

Holding capacity: 100 lbs
Clamping force at 100 psi: 100 lbs

Also available with position sensing...



Please see our web catalog for more information.



11

AIR-POWERED TOGGLE CLAMPS

INFO+: SEE PAGE 442 FOR MATERIAL SPECIFICATIONS



850 lbs

CL-1500-PPC

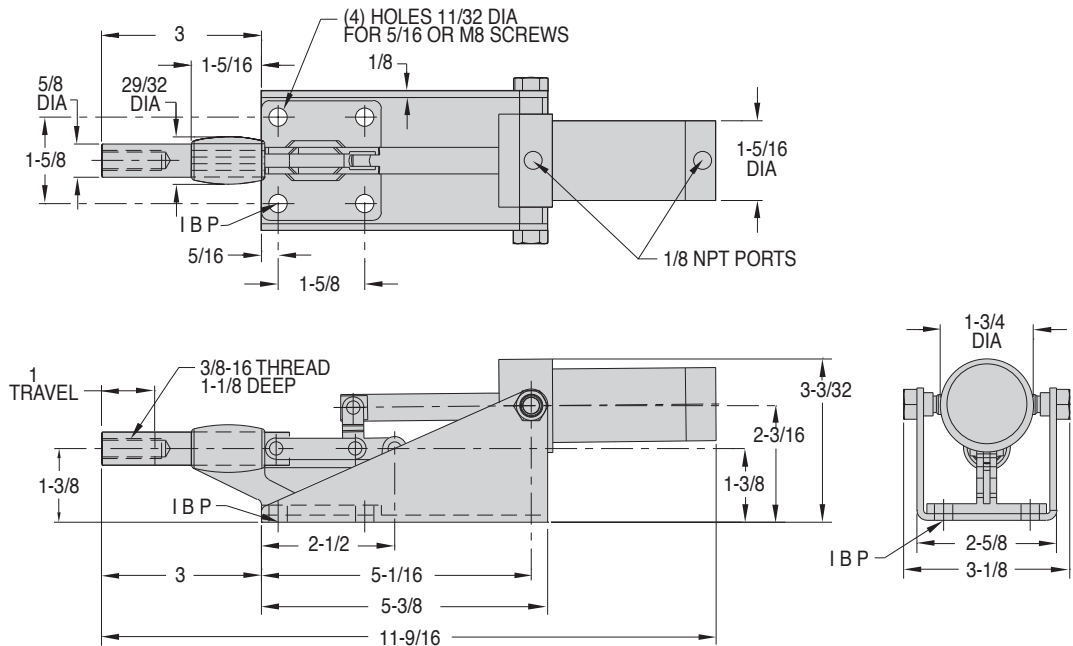
Larger-size plunger clamp. Toggle linkage provides high holding capacity and insures positive mechanical locking even if air pressure fails. 1" plunger travel. 1-1/4"-bore double-acting air cylinder with 1/8-NPT ports. Accepts any 3/8-16 spindle. **INFO+**: See pages 520-523 to order. 100-psi maximum input air pressure. Shipping weight 3.2 lbs.

Holding capacity: 850 lbs
Clamping force at 100 psi: 430 lbs

Also available with position sensing:



Please see our web catalog for more information.



11

CLAMPING VALVES*

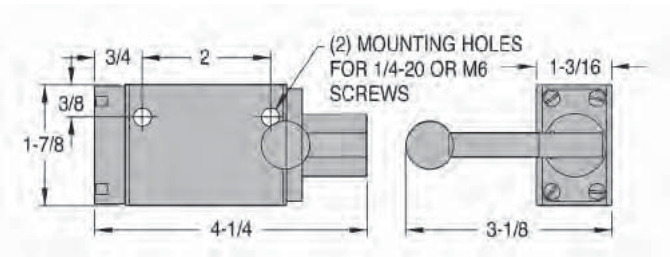


CHECK VALVES*



CLR-224-ACV

Allows air to flow in one direction only. 1/4-NPT male x 2.



CL-14-PCAV

Versatile two-position, four-way valve for simple and convenient clamp control. Five 1/4-NPT ports. 150 psi maximum pressure.

EXHAUST MUFFLERS*



CL-14-PCEM

Durable, compact, sintered-bronze exhaust muffler. 1/4-NPT male.

AIR FITTINGS*

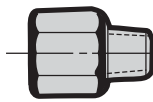
Quick-Disconnect Coupler



CL-14-PCQD

Both halves, 1/4-NPT female
CL-14-PCQDS
 Female socket, 1/4-NPT female
CL-14-PCQDP
 Male plug, 1/4-NPT female
 (Industrial Interchange)

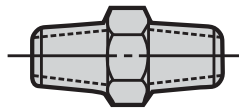
Adapter



CL-1014-PCA

#10-32 female x 1/4-NPT male
CL-1418-PCA
 1/4-NPT female x 1/8-NPT male
CL-3814-PCA
 3/8-NPT female x 1/4-NPT male

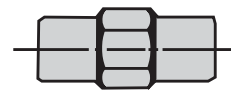
Hex Nipple



CL-10-PCHN

#10-32 male x 2
CL-14-PCHN
 1/4-NPT male x 2
CL-38-PCHN
 3/8-NPT male x 2
CL-3814-PCHN
 3/8-NPT male x 1/4-NPT male

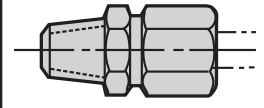
Coupling



CL-10-PCCP

#10-32 female x 2
CL-14-PCCP
 1/4-NPT female x 2

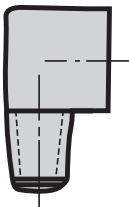
Tubing Connector



CL-1810-PCTC

1/8-OD tube x #10-32 male
CL-14-PCTC
 1/4-OD tube x 1/4-NPT male
 (Includes compression sleeve and nut)

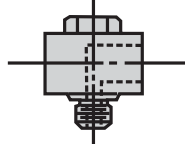
Street Elbow



CL-14-PCSE

1/4-NPT
 Female x 1/4-NPT male

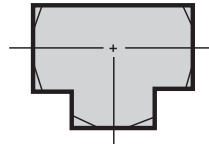
Banjo Elbow



CL-10-PCBE

#10-32 female x #10-32 male

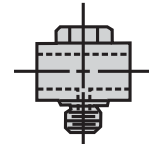
Tee



CL-10-PCTE

#10-32 female x 3
CL-14-PCTE
 1/4-NPT female x 3

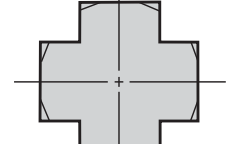
Branch Tee



CL-10-PCBT

#10-32 female x 2,
 #10-32 male

Cross



CL-14-PCCR

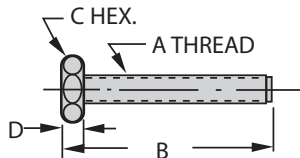
1/4-NPT female x 4

* Do not use in high-pressure hydraulic lines.

HEX-HEAD SPINDLES



Simple spindle design provides maximum clamping force. Fully threaded for maximum adjustment range. Assembly includes two jam nuts. Available in thread sizes from #8-32 to 5/8-11 (M4 to M16 in metric).



STEEL (INCH)

PART NO.	A	B	C	D
CL-316112-SA	#10-32	1-3/8	5/16	1/8
CL-14112-SA	1/4-20	1-11/16	7/16	3/16
CL-14200-SA		2-3/16		
CL-516212-SA	5/16-18	2-11/16	1/2	3/16
CL-38314-SA	3/8-16	3-1/4	9/16	1/4
CL-12314-SA	1/2-13	3-5/16	3/4	5/16
CL-58438-SA	5/8-11	4-3/8	15/16	3/8

VINYL-DIPPED STEEL (INCH)

CL-832208-FC	#8-32	1-3/16	1/4	1/8
CL-14100-SA	1/4-20	1	7/16	3/16
CL-14208-SA		1-1/2		

STAINLESS STEEL (INCH)

CL-83234-SA-S	#8-32	7/8	1/4	1/8
CL-832203-SA-S		1-1/8		
CL-316100-SA-S	#10-32	1-1/8	5/16	1/8
CL-14112-SA-S	1/4-20	1-11/16	7/16	3/16
CL-516200-SA-S	5/16-18	1-15/16	1/2	3/16
CL-516212-SA-S		2-11/16		
CL-38212-SA-S	3/8-16	2-1/2	9/16	1/4
CL-38314-SA-S		3-1/4		
CL-12234-SA-S	1/2-13	2-13/16	3/4	5/16

NYLON (INCH)

CL-832203-SA	#8-32	7/8	1/4	1/8
--------------	-------	-----	-----	-----

STEEL (METRIC)

PART NO.	A	B	C	D
CLM-530-SA	M5	1.32	8mm	.14
CLM-640-SA	M6	1.75	10mm	.18
CLM-650-SA		2.15		
CLM-850-SA	M8	2.19	13mm	.22
CLM-865-SA		2.78		
CLM-1070-SA	M10	3.03	17mm	.28
CLM-1275-SA	M12	3.27	19mm	.31
CLM-16100-SA	M16	4.33	24mm	.39

STAINLESS STEEL (METRIC)

CLM-416-SA-S	M4	.75	7mm	.12
CLM-425-SA-S		1.10		
CLM-530-SA-S	M5	1.32	8mm	.14
CLM-640-SA-S	M6	1.75	10mm	.18
CLM-650-SA-S		2.15		
CLM-850-SA-S	M8	2.19	13mm	.22
CLM-865-SA-S		2.78		
CLM-1070-SA-S	M10	3.03	17mm	.28

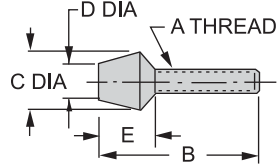
NYLON (METRIC)

CLM-416-SA	M4	.75	7mm	.12
------------	----	-----	-----	-----

FLAT-CUSHION SPINDLES



This is the standard spindle supplied with most clamps. Molded neoprene tip provides medium clamping force with some compensation for part-size variation. Also provides scratchfree clamping. Neoprene cushion has a durometer hardness of 70 shore A, and an operating temperature range of -40°F to 220°F. Spindle is fully threaded for maximum adjustment range. Assembly includes two jam nuts.



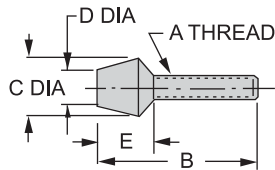
STEEL (INCH)

PART NO.	A	B	C DIA	D	E
CL-316112-FC	#10-32	1-3/8	9/16	7/16	7/16
CL-14112-FC	1/4-20	1-5/8	5/8	13/32	5/8
CL-14200-FC		2-1/8			
CL-518208-FC	5/16-18	2-1/4	3/4	1/2	3/4
CL-516212-FC		3			
CL-38212-FC	3/8-16	2-1/2	13/16	5/8	7/8
CL-38314-FC		3-1/2			

FLAT-CUSHION SPINDLES, QUICK ADJUSTING



Same as the Flat-Cushion Spindles above, except with two knurled nuts, instead of hex jam nuts, for convenient hand tightening. Use for quick spindle adjustment in applications where high-torque tightening with a wrench is not required.



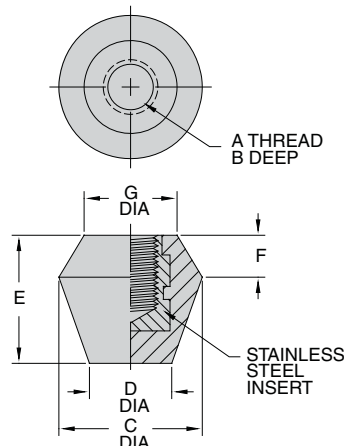
STEEL (INCH)

PART NO.	A	B	C DIA	D	E
CL-316112-FCQA	#10-32	1-3/8	9/16	7/16	7/16
CL-14112-FCQA	1/4-20	1-5/8	5/8	13/32	5/8
CL-14200-FCQA		2-1/8			
CL-518208-FCQA	5/16-18	2-1/4	3/4	1/2	3/4
CL-516212-FCQA		3			
CL-38212-FCQA	3/8-16	2-1/2	13/16	5/8	7/8
CL-38314-FCQA		3-1/2			

POLYURETHANE FLAT CUSHIONS



Polyurethane cushions are tougher and slightly harder than standard neoprene cushions. Ideal when greater clamping force is required while still providing scratchfree clamping and some compensation for part-size variation. Molded-in stainless steel insert provides superior thread strength. Ideal for making custom-length Flat Cushion Spindles by inserting a threaded stud. Polyurethane cushion has a hardness 85 Shore A, operating temperature range -90°F to 200°F.



STAINLESS (INCH)

PART NO.	A	B	C DIA	D	E	F	G DIA
CLM-5-FCP	#10-32	.19	.56	.44	.53	.14	.32
CL-1420-FCP	1/4-20	.30	.63	.47	.63	.22	.38
CL-51618-FCP	5/16-18	.33	.75	.50	.75	.21	.46
CL-3816-FCP	3/8-16	.38	.81	.63	.88	.21	.52

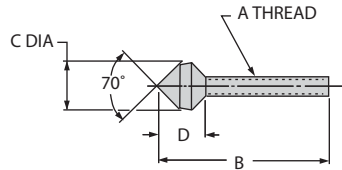
STAINLESS (METRIC)

PART NO.	A	B	C DIA	D	E	F	G DIA
CLM-5-FCP	M5	.19	.56	.44	.53	.14	.32
CLM-6-FCP	M6	.24	.63	.47	.63	.22	.38
CLM-8-FCP	M8	.30	.75	.50	.75	.21	.46
CLM-10-FCP	M10	.35	.81	.63	.88	.21	.52

CONE-CUSHION SPINDLES



Excellent for clamping into drilled holes, slots, or corners. Molded neoprene tip provides medium clamping force with some compensation for part-size variation. Also provides scratchfree clamping. Neoprene cushion has a durometer hardness of 70 shore A, and an operating temperature range of -40°F to 220°F. Spindle is fully threaded for maximum adjustment range. Assembly includes two jam nuts.



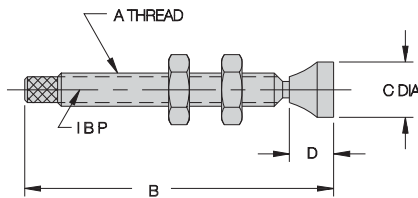
STEEL (INCH)

PART NO.	A	B	C DIA	D
CL-316112-CC	#10-32	1-3/8	9/16	7/16
CL-14112-CC	1/4-20	1-5/8	5/8	5/8
CL-14200-CC		2-1/8		5/8
CL-516212-CC	5/16-18	3	3/4	3/4
CL-38314-CC	3/8-16	3-1/2	13/16	7/8

SWIVEL-FOOT SPINDLES



Swivel foot provides full contact on uneven or sloped surfaces. Assembly includes two jam nuts.



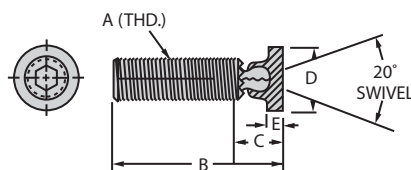
STEEL (INCH)

PART NO.	A	B	C DIA	D
CL-14112-SF	1/4-20	1-3/4	1/2	3/8
CL-14200-SF		2-1/4		
CL-516212-SF	5/16-18	2-3/4	9/16	7/16
CL-38314-SF	3/8-16	3-1/2	5/8	1/2

SWIVEL SCREW CLAMPS



Screw clamp with patented removable, interchangeable swivel foot, available in many sizes and varieties. Add "N" to part no. for Delrin foot, e.g. CL-23-SSCN. **INFO+**: See pages 106 and 113 for additional lengths and foot options. Order two jam nuts separately.



STEEL (INCH)

PART NO.	JAM NUT PART NO. (2 REQD)	A	B	C	D DIA	E
CL-23-SSC	CL-4-JN	1/4-20	1-19/32	23/64	3/8	1/8
CL-27-SSC	CL-5-JN	5/16-18	2-3/32	27/64	1/2	5/32
CL-43-SSC	CL-6-JN	3/8-16	3-1/8	1/2	9/16	3/16
CL-44-SSC	CL-8-JN	1/2-13	4-1/16	17/32	3/4	3/16
CL-46-SSC	CL-10-JN	5/8-11	5-3/64	21/32	15/16	7/32

STEEL (METRIC)

CLM-23-SSC	CLM-6-JN	M6	1.67	.36	3/8	1/8
CLM-27-SSC	CLM-8-JN	M8	2.06	.42	1/2	5/32
CLM-32-SSC	CLM-10-JN	M10	3.08	.62	9/16	3/16
CLM-36-SSC	CLM-12-JN	M12	4.00	.53	3/4	3/16
CLM-40-SSC	CLM-16-JN	M16	4.97	.66	15/16	7/32

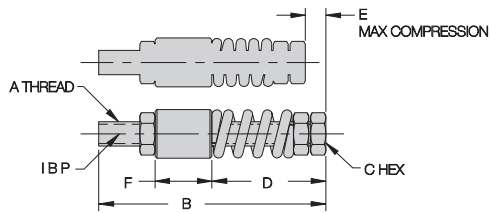
STAINLESS STEEL (INCH)

CL-23-SSC-S	CL-4-JN-S	1/4-20	1-19/32	23/64	3/8	1/8
CL-27-SSC-S	CL-5-JN-S	5/16-18	2-3/32	27/64	1/2	5/32
CL-43-SSC-S	CL-6-JN-S	3/8-16	3-1/8	1/2	9/16	3/16

SPRING-LOADED SPINDLES



Clamps with strong spring force to compensate for varying part thicknesses. Excellent for clamping castings that vary slightly in size. To install, weld bolt retainer to clamping arm. Assembly includes two jam nuts, a die spring, and a bolt retainer.



STEEL (INCH)

PART NO.	A	B	C	D		E	FORCE AT "E" (lbs)	F
				MIN	MAX			
CL-14200-SL	1/4-20	2-1/4	7/16	1-9/32	1-3/8	1/4	50	5/8
CL-516212-SL	5/16-18	2-3/4	1/2	1-11/16	1-7/8	1/4	100	5/8
CL-38314-SL	3/8-16	3-1/2	9/16	1-3/4	2-9/32	5/16	200	7/8

One-Touch Swing Clamps

Quick Acting, Simple And Cost Effective



- Simply rotate the clamp into position, then clamp down in one continuous motion
- Available in four sizes each of three styles: horizontal cam, vertical cam, or hex drive



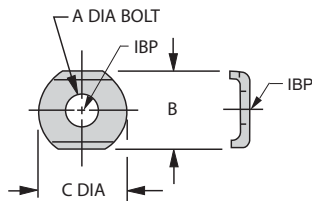
See Pages 274-276

FLANGED WASHERS



Two flanged washers required per clamp

For open-arm clamps. Use two flanged washers to mount spindle, one above the arm and one below.



STEEL

PART NO.	A	B	C DIA
CL-832-TW	#8-32 or M4	7/16	15/32
CL-3166-TW	#10-32 or M5	1/2	9/16
CL-147-TW	1/4-20 or M6	9/16	5/8
CL-148-TW		19/32	11/16
CL-51610-TW	5/16-18 or M8	3/4	7/8
CL-3811-TW	3/8-16 or M10	15/16	1
CL-1213-TW	1/2-13 or M12	1-5/32	1-1/4
CL-5811-TW	5/8-11 or M16	1-3/8	1-15/32

STAINLESS STEEL

PART NO.	A	B	C DIA
CL-832-TW-S	#8-32 or M4	7/16	15/32
CL-3166-TW-S	#10-32 or M5	1/2	9/16
CL-147-TW-S	1/4-20 or M6	9/16	5/8
CL-148-TW-S		19/32	11/16
CL-51610-TW-S	5/16-18 or M8	3/4	7/8
CL-3811-TW-S	3/8-16 or M10	15/16	1

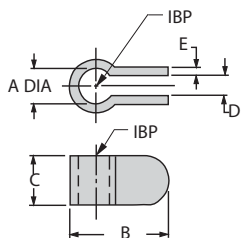
BOLT RETAINERS



BR
For VTC clamps



S
For TC clamps



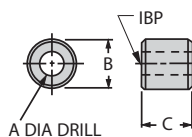
BR (FOR HTC & VTC CLAMPS)

PART NO.	SPINDLE SIZE	A DIA	B	C	D	E
CL-142000-BR	1/4-20 or M6	9/32	1-1/4	1/2	3/16	3/32
CL-518000-BR	5/16-18 or M8	21/64	1-1/4	5/8	1/4	3/32
CL-316000-BR	3/8-16 or M10	17/32	1-1/2	3/4	5/16	1/8
CL-113000-BR	1/2-13 or M12	9/16	1-5/8	7/8	3/8	1/8
CL-511000-BR	5/8-11 or M16	11/16	1-7/8	1-1/4	3/8	1/8

S (FOR TC CLAMPS)

PART NO.	SPINDLE SIZE	A DIA	B DIA	C
CL-1458-S	1/4-20 or M6	.257	5/8	5/8
CL-51658-S	5/16-18 or M8	.316	5/8	5/8
CL-3878-S	3/8-16 or M10	.397	3/4	7/8

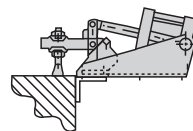
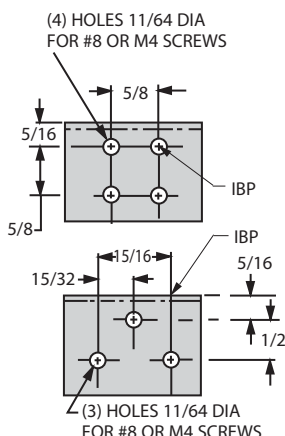
For solid-arm clamps. Weld on bolt retainer at desired arm length and spindle angle.



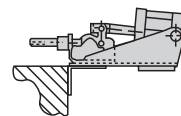
MOUNTING BRACKETS



Handy bracket for side-mounting small clamps. One reversible bracket fits several clamps.



Downholding



Push/Pull

PART NO.	FITS DOWNHOLDING CLAMPS	FITS PUSH CLAMPS
CL-400-PCBR	CL-150-VTC	CL-50-SPC
	CL-400-PTC	CL-600-PPC



Glow Wagon Brakes
p. 526



Push/Pull Toggle Clamps
pp. 483-495



Lifting Pins
pp. 52-53



Ball Lock Pins
pp. 42-53



Hoist Rings
pp. 65-82



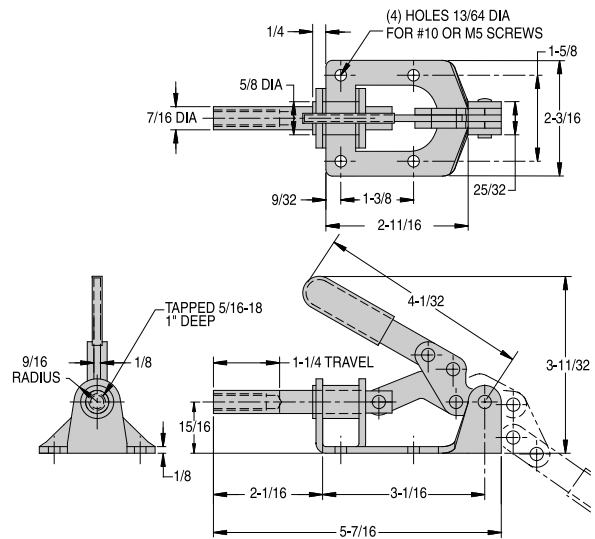
Threaded Inserts
pp. 315-321

GLow WAGON BRAKES

CLAMP BODY: 12L14, 1008, 1010, AND/OR 1018 STEEL, ZINC PLATED BLACK CHROMATE
 RIVETS: 400-SERIES STAINLESS
 HANDLE: GLOW-IN-THE DARK VINYL



Medium-sized clamp locks in extended or retracted position.

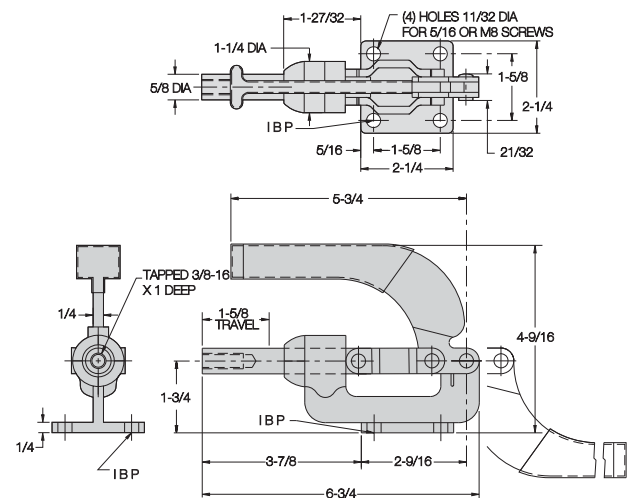


CL-150-SPC-BZ

Wagon Brakes with a black finish and glow-in-the-dark handles are specifically designed for use on stage-set designs, but can be used with other mobile jigs and carts. Wagon Brakes provide secure stabilization of your set designs, the ability to effortlessly re-arrange sets in an instant, and safety for your crew with special handles that glow in the dark for at least 8 hours. Glow-in-the-dark handles reduce the worry of trip hazards for stagehands as they work to set the scene.

Wagon Brakes literally lift your scenery off its movable casters, securing it in place and preventing any movement until you are ready to change the scene. A rugged toggle action provides the mechanical advantage to make lifting easy, and locks "over center" for safety. No drilling is ever required on your stage floor – just lock these Wagon Brakes in place to secure your stage set underneath the actors' feet.

The medium-size plunger clamp shown here (CL-150-SPC-BZ) has a 1-1/4" plunger travel, is tapped to accept any 5/16-18 threaded foot and has a 300 lbs holding capacity. CL-250-SPC-BZ has a 1-5/8" plunger travel, is tapped to accept any 3/8-16 threaded foot and has an 800 pound holding capacity. Both lock in extended and retracted position. Made in USA.



CL-250-SPC-BZ

PART NO.	DESCRIPTION	TAPPED HOLE IN PLUNGER	HOLDING CAPACITY	SHIPPING WEIGHT
CL-150-SPC-BZ	Tapped Plunger, Flanged Base	5/16-18	300 lbs.	.7 lbs.
CL-250-SPC-BZ	Tapped Plunger, Flanged Base	3/8-16	800 lbs.	1.9 lbs.

PRECISION DRILL JIG BUSHINGS



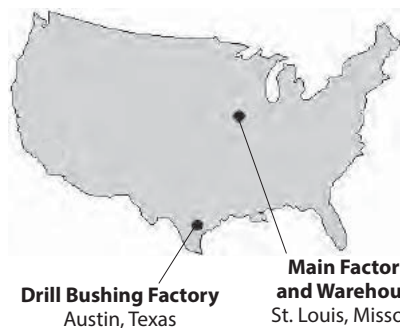
WHAT MAKES A CARR LANE MANUFACTURING DRILL BUSHING BETTER?

1 TOP QUALITY



Carr Lane Manufacturing drill bushings are all precision honed and ground, the finest quality available. They exceed all ANSI drill-bushing standards. Unlike some of our competitors, we manufacture only first-quality drill bushings, never "economy grade."

2 FAST DELIVERY




















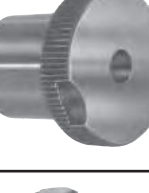

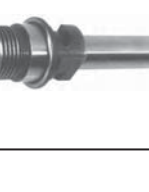

Our nationwide network of stocking distributors, plus huge inventories at two warehouse locations, guarantees same-day shipment for standard bushings. In addition, our quick-response manufacturing capabilities allow us to ship almost all special and modified bushings in less than 10 days.

3 ECONOMICAL PRICES



As you expect with all Carr Lane Manufacturing products, our drill-bushing prices are the most competitive around. Our production volumes and advanced manufacturing techniques mean excellent value for you.

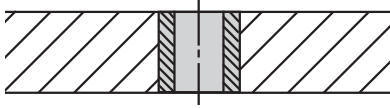
Quick-Ship Drill Bushings pp. 535-536
 Bushing Selection pp. 530-531
 Installation and Technical Data pp. 532-533
 Counterbore Data p. 534

	P Press Fit pp. 537-548		H Head Press Fit pp. 542-546		SP Serrated Press Fit pp. 547-548
	SF Slip/Fixed Renewable pp. 549-553		FM Flat Milled Renewable pp. 554-555		L Liner pp. 556-558
	HL Head Liner pp. 559-560		UL Locking Liner p. 561		Lockscrews and Clamps pp. 562-563
	CH Chip Breaker pp. 564-565		DC Directed Coolant pp. 566-567		Oil Groove pp. 568-570
	DG Diamond Groove pp. 571-572		SG Serrata Groove p. 573		ULD Diamond Knurl Locking Liner p. 574
	EZ EZ Cast p. 575		TB Template pp. 576-579		GD Gun Drill pp. 580-582
	CB Circuit Board (Please see our web catalog)		A Air Feed pp. 583-593		Air-Feed Accessories pp. 594-597

BUSHING SELECTION

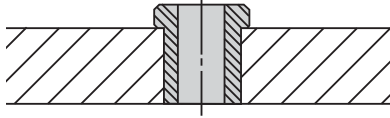
INCH				METRIC			
P	20	8	.1250	PM	8	12	4.50
Type	OD in 64ths of an inch	Length in 16ths of an inch	ID as 4-place decimal inch	Type	OD in mm	Length in mm	ID as 2-place decimal mm

PRESS FIT:



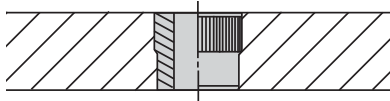
Types **P**, **PC** (carbide), and **PM** (metric). This is the most-popular and least-expensive drill bushing. P bushings are permanently pressed into the jig plate, usually flush with the top surface. They are generally used for single-step drilling or reaming operations when you do not expect to replace bushings during the tooling's lifetime. P bushings can be mounted closer together than headed bushings, but offer less resistance to heavy axial loads.

HEAD PRESS FIT:



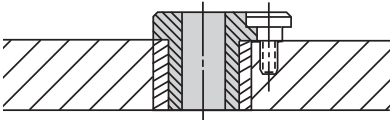
Types **H**, **HC** (carbide), and **HM** (metric). Similar to a P bushing, but with a head to resist heavy axial loads. H bushings are permanently pressed into the jig plate. They are generally used for single-step drilling or reaming operations when you do not expect to replace bushings during the tooling's lifetime. The head can be left exposed, or recessed by counterboring the installation hole. Note: The "length" listed for an inch head-press-fit bushing refers to its length under the head, while the metric version's "length" is its overall length.

SERRATED PRESS FIT:



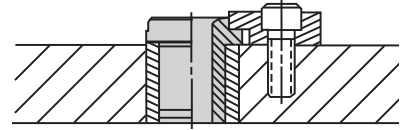
Types **SP** and **SPM** (metric). Similar to a P bushing, but with top serrations to prevent rotation in soft materials. Recommended in high-torque situations for materials such as magnesium, aluminum, masonite, or wood. Finish-ground OD ensures accurate ID location. Serrations also resist axial force to prevent pushing the bushing through the jig plate.

SLIP/FIXED RENEWABLE:



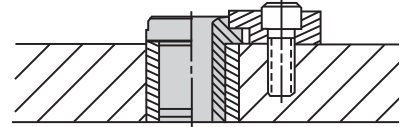
Types **SF**, **SFC** (carbide), and **SFM** (metric). Replaceable bushing generally used with a liner bushing and lockscrew. Use when you expect to replace bushings during the tooling's lifetime, or when you want to switch bushings to perform multi-step operations with the same tooling. SF bushings combine the benefits of older S-type slip-renewable and F-type fixed-renewable bushings: One side has a small recess for fixed mounting; the other has a locking recess that allows the bushing to slip down, then lock in place by rotating it. S and F types are now obsolete and combination SF bushings will be furnished at no extra charge.

FLAT MILLED RENEWABLE:



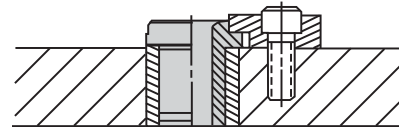
Types **FM** and **FMC** (carbide). Replaceable bushing used for extra resistance to rotational forces under harsh conditions. This bushing, generally used with a liner, has a milled locking flat to allow fastening securely with a flat clamp. FM bushings also have a standard recess on the other side to allow using a lockscrew instead.

LINER:



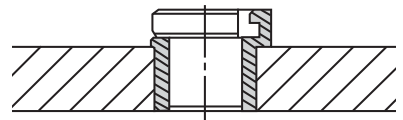
Types **L** and **PM** (metric). Liners are permanent bushings used to hold renewable drill bushings. The liner's ID has a precise sliding fit with the renewable bushing's OD. The hardened liner accurately locates the renewable bushing and protects the jig plate from wear caused by frequent bushing replacement. Note: Metric liner bushings are the same as metric press-fit bushings.

HEAD LINER:



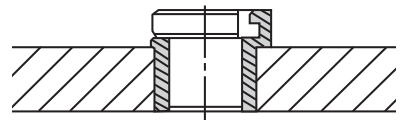
Types **HL** and **HM** (metric). Similar to an L bushing, but with a head to resist heavy axial loads. Head liners are permanent bushings used to hold renewable drill bushings. The head liner's ID has a precise sliding fit with the renewable bushing's OD. The hardened head liner accurately locates the renewable bushing and protects the jig plate from wear caused by frequent bushing replacement. Note: The "length" listed for a head liner refers to its overall length, not its length under the head. Metric head-liner bushings are the same as metric head-press-fit bushings.

UN-A-LOK™ LINER:



Types **UL** and **ULM** (metric). Similar to an HL head liner, but incorporating a special locking tab that eliminates the need for a lockscrew. Un-A-Lok liners are permanent bushings used to hold SF renewable drill bushings (on the "slip" side only, not the "fixed" side). Although slightly more expensive than a head liner plus a lock screw, installation time is dramatically reduced.

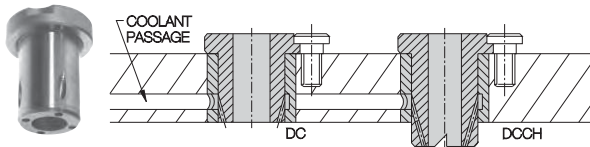
CHIP BREAKER:



Types **CH** and **CHM** (metric). Similar to an SF renewable bushing, but with specially designed chip-breaking notches on the drill-exit end. Use to break up chips from tough, stringy materials, to reduce friction and heat buildup. Reduces bushing wear at the drill-exit end and reduces the chance of tool or workpiece damage. A chip-breaker bushing should extend beyond its liner to allow chips to escape. Chip breakers are also available on other bushing types such as P, H, and DC.

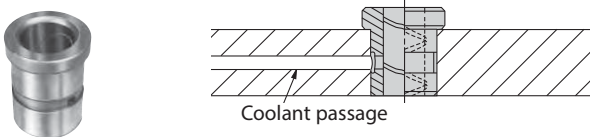
BUSHING SELECTION

DIRECTED COOLANT:



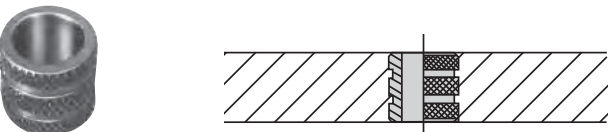
Types **DC**, **DCCH** (chip breaker), **DCL** (liner), and **DCHL** (head liner). Similar to an SF renewable bushing, but with passages to direct coolant to the cutting area. This design is particularly good for washing away chips, especially when ordered as the combination Directed Coolant Chip Breaker (DCCH). DC bushings require special liners, DCL or DCHL, to direct coolant from a drilled manifold passage to the holes in the bushing's OD wall.

OIL GROOVE:



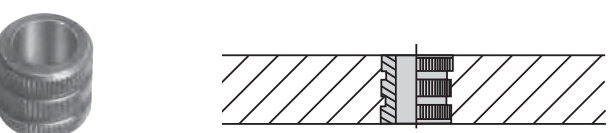
Oil grooves are available on most drill-bushing types, including P, H, and SF. Use when you need complete drill lubrication and cooling, such as when drilling hardened steel. Oil grooves are specially designed coolant passageways in the bushing's ID wall. Choose from 25 different groove styles. End wipers are also available, to keep out dirt and chips.

DIAMOND GROOVE:



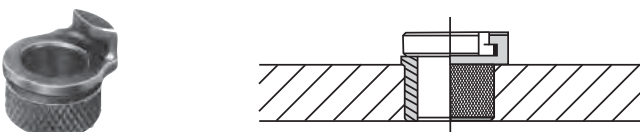
Types **DG** and **DGM** (metric). A bushing for cast-in-place or potted installation. Diamond-knurled OD provides superior holding strength against both rotational and axial forces. Since the bushing's OD is not ground, keep the ID accurately located during casting or potting to ensure accuracy in the finished tool.

SERRATA GROOVE:



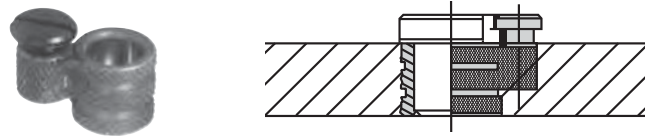
Type **SG**. Can be cast in place or potted, just as a diamond-groove bushing, or can also be pressed into an installation hole. Straight knurl provides less resistance to axial loads than the diamond knurl on a DG bushing. Since the bushing's OD is not ground, keep the ID accurately located during casting or potting to ensure accuracy in the finished tool.

DIAMOND-KNURL UN-A-LOK™ LINER:



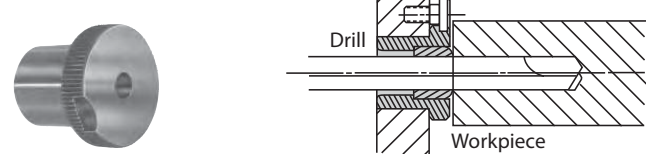
Types **ULD** and **ULDM** (metric). A liner for cast-in-place or potted installation, used to hold SF renewable drill bushings. Un-A-Lok™ liners incorporate a special locking tab that eliminates the need for a lockscrew. Holds only the "slip" side of an SF bushing, not the "fixed" side. Diamond-knurled OD provides superior holding strength against both rotational and axial forces. Since the bushing's OD is not ground, keep the ID accurately located during casting or potting to ensure accuracy in the finished tool.

EZ CAST LINER:



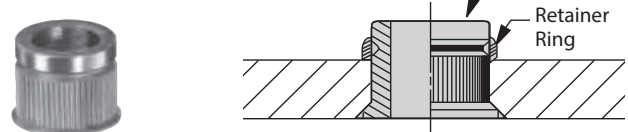
Type **EZ**. Another liner for cast-in-place or potted installation, used to hold SF renewable drill bushings. Unlike diamond-knurl unilock liners, EZ-cast liners hold either the "slip" or "fixed" side of an SF bushing, since they include an integral lockscrew holder. Diamond-knurled OD provides superior holding strength against both rotational and axial forces. Since the bushing's OD is not ground, keep the ID accurately located during casting or potting to ensure accuracy in the finished tool.

GUN DRILL:



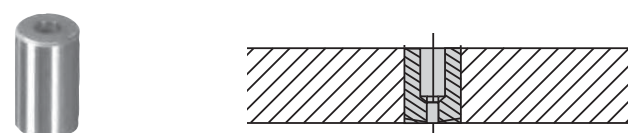
Types **GD**, **GDL** (liner), and **GDI** (insert). Drill bushings for gun-drilling machines, such as Eldorado, Drillmation, DeHoff, and Lahr. Gun drill bushings are similar to SF renewable bushings, but with the drill bearing at the bushing's head end. Depending on the gun-drilling machine, bushings are either one-piece or two-piece (a liner and an insert).

TEMPLATE:



Type **TB**. An economical bushing designed for thin template jig plates from 1/16- to 3/8-inch thick. Bushings are held in place by a retainer ring. The OD serrations prevent the bushing from spinning. Bushings can be removed and reused by breaking the aluminum retainer ring (extra retainer rings available).

CIRCUIT BOARD:



Types **CB** and **CB** (carbide). Headless and head-type bushings made especially for circuit-board drilling machines. Available for Electro-Mechano, Excellon, Waco, Digital, Nationwide, Edlund, Tektronix, Leland-Gifford, Palomar, Hughes, Rapidrill, and Reliable drilling machines.

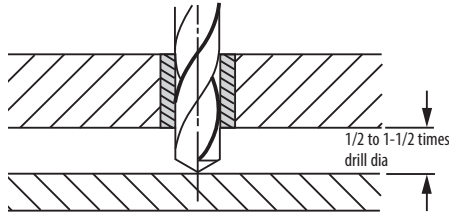
AIR-FEED DRILL:



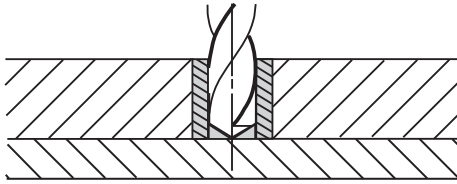
Type **A**. Drill-bushing shanks, collars, adaptors, and locking accessories for air-feed drills, tappers, and back-spotfacers. Available for all standard drill motors, including Gardner-Denver, Keller, Aro, Buckeye, Quackenbush, Desoutter, and Ingersoll-Rand.

INSTALLATION AND TECHNICAL DATA

RECOMMENDED CHIP CLEARANCE:

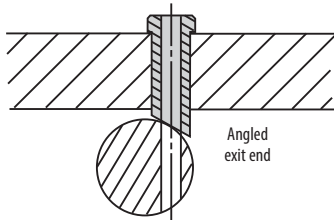


To minimize drill bending and maximize hole accuracy, mount drill bushings as close to the workpiece as possible while still allowing adequate chip clearance. The necessary clearance depends on workpiece material and chip stringiness. For example, cast iron, with fine chips requires about 1/2 times drill diameter for chip clearance. Materials that produce long, stringy chips, such as cold-rolled steel and aluminum, require at least one-drill-diameter clearance. To reduce clearance even with long, stringy chips, exit-end chip breakers are available. **INFO+**: See pages 564-565.



Direct workpiece contact is usually not recommended. Chips can escape only up through the drill's flutes, drill-bearing length is shortened by the drill point's length, and drill-withdrawal burrs can raise the jig plate. Direct contact may be necessary, though, for maximum bearing length when drilling sloped surfaces (see below). Also, reamer bushings can be mounted much closer than drill bushings, due to much finer chips, for more-accurate hole finishing.

SLOPED WORKPIECE SURFACES:

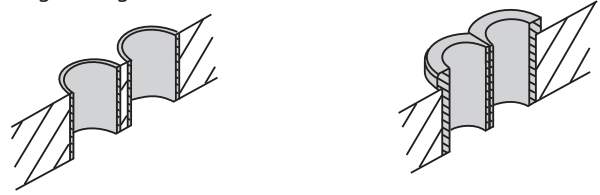


Whenever the drilling axis is not perpendicular to the workpiece surface, locate the exit end as close to the part as possible. Otherwise the drill will tend to wander. For maximum drill guiding, we recommend specifying bushings with an angle milled on the exit end, tangent to the workpiece surface at point of entry.

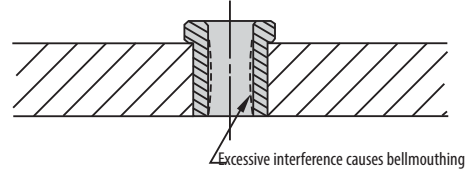
SPECIAL BUSHINGS FOR CLOSE HOLE SPACING:

When holes are located close together, special bushings are sometimes required. Thinwall bushings, where the bushing ID is larger than the normal ID range for a given OD, are often a good solution. Holes for thinwall bushings must be very accurate and round, because these bushings are more easily distorted. For

very-close hole spacing, especially with headed bushings, specify bushings with ground flats.



INSTALLATION-HOLE PREPARATION:



To avoid jig-plate or bushing distortion, do not use excessive interference fits on press-fit bushings. See table below for recommended hole sizes in unhardened steel or cast iron jig plates. Always prepare installation holes using a jig borer or reamer. Standard chucking reamers (with a plus tolerance) usually produce installation holes to the tolerances shown in the table. Other factors to consider are: (1) headed bushings require less interference to resist drilling thrust; (2) longer bushings in thick plates require less interference; (3) bushings with thinner walls are more prone to distortion; (4) less-ductile jig-plate materials require less interference.

INCH

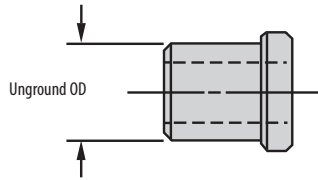
PRESS-FIT BUSHING OD		RECOMMENDED HOLE SIZE
NOM.	ACTUAL	
5/32	.1578-.1575	.1565-.1570
3/16	.1891-.1888	.1880-.1883
13/64	.2046-.2043	.2037-.2040
1/4	.2516-.2513	.2507-.2510
5/16	.3141-.3138	.3132-.3135
3/8	.3766-.3763	.3757-.3760
13/32	.4078-.4075	.4069-.4072
7/16	.4392-.4389	.4382-.4385
1/2	.5017-.5014	.5007-.5010
9/16	.5642-.5639	.5632-.5635
5/8	.6267-.6264	.6257-.6260
3/4	.7518-.7515	.7507-.7510
7/8	.8768-.8765	.8757-.8760
1	1.0018-1.0015	1.0007-1.0010
1-1/8	1.1270-1.1267	1.1257-1.1260
1-1/4	1.2520-1.2517	1.2507-1.2510
1-3/8	1.3772-1.3768	1.3757-1.3760
1-1/2	1.5021-1.5018	1.5007-1.5010
1-3/4	1.7523-1.7519	1.7507-1.7510
2-1/4	2.2525-2.2521	2.2507-2.2510
2-3/4	2.7526-2.7522	2.7507-2.7510

METRIC

PRESS-FIT BUSHING OD		RECOMMENDED HOLE SIZE (H7)
NOM.	ACTUAL (s6)	
3mm	3.020-3.014mm	3.000-3.010mm
4mm	4.027-4.019mm	4.000-4.012mm
5mm	5.027-5.019mm	5.000-5.012mm
6mm	6.027-6.019mm	6.000-6.012mm
7mm	7.032-7.023mm	7.000-7.015mm
8mm	8.032-8.023mm	8.000-8.015mm
10mm	10.032-10.023mm	10.000-10.015mm
12mm	12.039-12.028mm	12.000-12.018mm
15mm	15.039-15.028mm	15.000-15.018mm
18mm	18.039-18.028mm	18.000-18.018mm
22mm	22.048-22.035mm	22.000-22.021mm
26mm	26.048-26.035mm	26.000-26.021mm
30mm	30.048-30.035mm	30.000-30.021mm
35mm	35.059-35.043mm	35.000-35.025mm
42mm	42.059-42.043mm	42.000-42.025mm
48mm	48.059-48.043mm	48.000-48.025mm
55mm	55.072-55.053mm	55.000-55.030mm
62mm	62.072-62.053mm	62.000-62.030mm
70mm	70.078-70.059mm	70.000-70.030mm
78mm	78.078-78.059mm	78.000-78.030mm
85mm	85.093-85.071mm	85.000-85.035mm
95mm	95.093-95.071mm	95.000-95.035mm
105mm	105.101-105.079mm	105.000-105.035mm
115mm	115.101-115.079mm	115.000-115.035mm
125mm	125.117-125.092mm	125.000-125.040mm

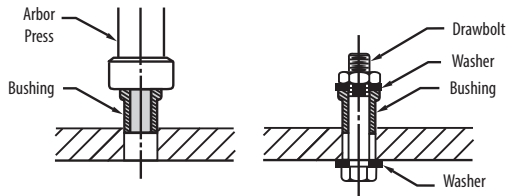
INSTALLATION AND TECHNICAL DATA

UNGROUND BUSHINGS AVAILABLE FOR OVERSIZE HOLES:



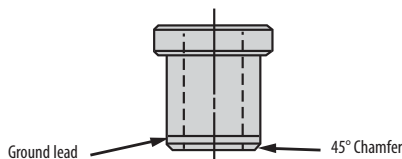
We offer bushings with unfinished ODs for custom-fitting to oversize holes. They are slightly larger than nominal diameter to provide grinding stock, .005-.020 extra, depending on the OD size (see charts under each specific bushing type). We recommend grinding on a mandrel to hold ID/OD concentricity.

INSTALLATION PROCEDURE:



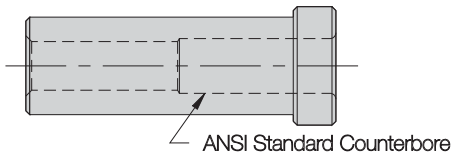
We recommend installing bushings with an arbor press whenever possible. If the bushing's OD is large enough, you can also use a drawbolt with two washers as shown above. If a hammer is the only tool available, do not strike the bushing directly or it could fracture. Use a soft-metal punch to cushion the blows. Before installing a press-fit bushing, lubricate the inside of the mounting hole and outside of the bushing with a lubricant such as lithium grease. Otherwise the bushing may score the mounting hole, and may be difficult to replace later.

GROUND LEAD FOR EASY INSTALLATION:



All bushings feature a concentric ground lead and a 45° chamfer on the exit end to ensure perfect alignment during installation.

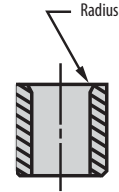
COUNTERBORES ON LONG BUSHINGS:



Long bushings with small IDs are slightly counterbored for proper drill-bearing length and chip clearance, as specified by ANSI standards. Counterbores prevent binding and heat buildup due to excessive bearing length. See chart on page 514 for ANSI counterbore depths. Counterbore diameters are generally 1/32

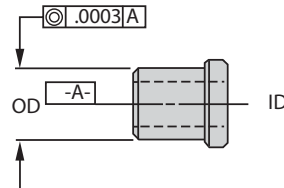
inch larger than the inside diameter, and are angled at the bottom for smooth entrance. No-counterbore bushings are available on request as specials.

DRILL ENTRANCE RADIUS:



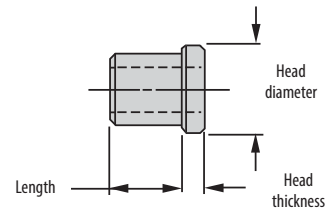
Bushings feature a blended and polished radius at the drill-entrance end for smooth drill entry and proper alignment, preventing drill wear and breakage. Radius size varies in proportion to drill size.

CONCENTRICITY:



Bushing OD is ground concentric to the ID to within .0003 TIR for ID sizes from 1/8 inch to 1/2 inch (3mm to 12mm), unless otherwise indicated. For larger or smaller sizes, concentricity is within .0005 TIR. Unground bushings are concentric to within .006 TIR. On counterbored bushings, concentricity applies only over the drill-bearing length.

OTHER TOLERANCES:



Any dimensions where tolerances are not specifically listed are held to +/- .010 inches on standard ANSI sizes, and +/- .015 inches on larger sizes (extended range). Special tolerances for any dimension are available on request as specials.

MATERIAL:

Standard drill-bushing material is 1144 or 52100 steel, heat treated to achieve RC 62-64 ID hardness, and other high-carbon steels. Optional materials such as tungsten carbide (Grade C2 carbide with steel head), 52100 steel, A2 tool steel, D2 tool steel, M2 tool steel, 416 stainless, 440C stainless, 17-4PH stainless, 303 stainless, 660 bronze, Ampco 18 bronze, Ampco 21 bronze, Oilite, and brass are available as specials. **INFO+**: See pages 540, 545, and 552 for carbide bushings.

COUNTERBORE DATA

DRILL BEARING LENGTH



TYPE P

DRILL SIZE (ID)	OD	BUSHING LENGTH											
		1/4	5/16	3/8	1/2	3/4	1	1-3/8	1-1/2	1-3/4	2-1/8	2-1/2	3
.0135 - .0291	5/32	FULL	FULL	FULL	5/16	5/16	5/16	5/16	5/16	5/16	5/16	5/16	5/16
.0292 - .0519													
.0520 - .0625													
.0135 - .0291	3/16	FULL	FULL	FULL	5/16	5/16	5/16	5/16	5/16	5/16	5/16	5/16	5/16
.0292 - .0519													
.0520 - .0634													
.0635 - .0995					FULL	7/16	7/16	7/16	7/16	7/16	7/16	7/16	7/16
.0135 - .0291	13/64	FULL	FULL	FULL	5/16	5/16	5/16	5/16	5/16	5/16	5/16	5/16	5/16
.0292 - .0519													
.0520 - .0634													
.0635 - .0995					FULL	7/16	7/16	7/16	7/16	7/16	7/16	7/16	7/16
.0980 - .1406	1/4	FULL	FULL	FULL	FULL	7/16	5/8	5/8	5/8	5/8	5/8	5/8	5/8
.1250 - .1935	5/16	FULL	FULL	FULL	FULL	FULL	5/8	5/8	5/8	5/8	5/8	5/8	5/8
.1935 - .2880	3/8	FULL	FULL	FULL	FULL	FULL	5/8	5/8	5/8	5/8	5/8	5/8	5/8
.1875 - .2570	13/32	FULL	FULL	FULL	FULL	FULL	5/8	5/8	5/8	5/8	5/8	5/8	5/8
.2340 - .2900	7/16	FULL	FULL	FULL	FULL	FULL	5/8	5/8	5/8	5/8	5/8	5/8	5/8
.1875 - .3160	1/2	FULL	FULL	FULL	FULL	FULL	5/8	3/4	3/4	3/4	3/4	3/4	3/4
.3125 - .4375	5/8	FULL	FULL	FULL	FULL	FULL	FULL	FULL	FULL	FULL	FULL	FULL	1-1/2
.3125 - .5313	3/4	FULL	FULL	FULL	FULL	FULL	FULL	FULL	FULL	FULL	FULL	FULL	1-1/2



TYPE H

RANGE (ID)	OD	BUSHING LENGTH (UNDER HEAD)											
		1/4	5/16	3/8	1/2	3/4	1	1-3/8	1-1/2	1-3/4	2-1/8	2-1/2	3
.0135 - .0291	5/32	FULL	FULL	5/16	5/16	5/16	5/16	5/16	5/16	5/16	5/16	5/16	5/16
.0292 - .0519				FULL									
.0520 - .0625				FULL									
.0135 - .0291	13/64	FULL	FULL	5/16	5/16	5/16	5/16	5/16	5/16	5/16	5/16	5/16	5/16
.0292 - .0519				FULL									
.0520 - .0634				FULL									
.0635 - .0995				FULL									
.0980 - .1406	1/4	FULL	FULL	FULL	7/16	7/16	5/8	5/8	5/8	5/8	5/8	5/8	5/8
.1250 - .1935	5/16	FULL	FULL	FULL	FULL	FULL	5/8	5/8	5/8	5/8	5/8	5/8	5/8
.1935 - .2280	3/8	FULL	FULL	FULL	FULL	FULL	5/8	5/8	5/8	5/8	5/8	5/8	5/8
.1875 - .2570	13/32	FULL	FULL	FULL	FULL	FULL	5/8	5/8	5/8	5/8	5/8	5/8	5/8
.2340 - .2900	7/16	FULL	FULL	FULL	FULL	FULL	5/8	5/8	5/8	5/8	5/8	5/8	5/8
.1875 - .3160	1/2	FULL	FULL	FULL	FULL	FULL	3/4	3/4	3/4	3/4	3/4	3/4	3/4
.3125 - .4375	5/8	FULL	FULL	FULL	FULL	FULL	FULL	FULL	FULL	FULL	FULL	FULL	1-1/2
.3125 - .5313	3/4	FULL	FULL	FULL	FULL	FULL	FULL	FULL	FULL	FULL	FULL	FULL	1-1/2



TYPE SF & FM

DRILL SIZE (ID)	OD	BUSHING LENGTH (UNDER HEAD)																					
		1/4	5/16	3/8	1/2	3/4	1	1-3/8	1-1/2	1-3/4	2-1/8	2-1/2	3										
.0135 - .0291	3/16	1/4	5/16	5/16	5/16	5/16	5/16	5/16	5/16	5/16	5/16	5/16	5/16										
.0292 - .0519		FULL																					
.0520 - .0634				3/8										7/16	7/16	7/16	7/16	7/16	7/16	7/16	7/16		
.0635 - .0980	1/4	FULL	FULL	3/8	7/16	7/16	7/16	7/16	7/16	7/16	7/16	7/16	7/16										
.0135 - .0291	5/16	1/4	FULL	5/16	5/16	5/16	5/16	5/16	5/16	5/16	5/16	5/16	5/16										
.0292 - .0519																							
.0520 - .0634																							
.0635 - .0934		FULL		3/8										7/16	7/16	7/16	7/16	7/16	7/16	7/16	7/16	7/16	7/16
.0935 - .1249				FULL																			
.1250 - .1935				FULL																			
.1935 - .2280	3/8	FULL	FULL	FULL	FULL	FULL	5/8	5/8	5/8	5/8	5/8	5/8	5/8										
.2340 - .2900	7/16	FULL	FULL	FULL	FULL	FULL	5/8	5/8	5/8	5/8	5/8	5/8	5/8										
.1405 - .1889	1/2	FULL	FULL	FULL	FULL	FULL	5/7	5/8	5/8	5/8	5/8	5/8	5/8										
.1890 - .3438							7/8	1	1	1	1	1	1										
.2950 - .5625							3/4	FULL	FULL	FULL	FULL	FULL	FULL	FULL	FULL	FULL	FULL	1-1/2					

QUICK SHIP DRILL BUSHINGS



Quick-Ship Drill Bushings are popular bushing sizes that we do our best to keep in stock and ready for same-day shipment 100% of the time. These bushings include most common ID drill sizes.

PRESS-FIT BUSHINGS (P)

PART NO.	ID	OD	LENGTH
P-13-8-.0980	#40 (.0980)	13/64	1/2
P-16-4-.0980	#40 (.0980)	1/4	1/4
P-16-6-.0980			3/8
P-16-8-.0980	#39 (.0995)	1/4	1/2
P-16-8-.0995			1/2
P-16-8-1.065	#36 (.1065)	1/4	1/2
P-16-8-1.094	7/64 (.1094)	1/4	1/2
P-16-8-1.110	#34 (.1110)	1/4	1/2
P-16-8-1.130	#33 (.1130)	1/4	1/2
P-16-8-1.200	#31 (.1200)	1/4	1/2
P-16-4-1.250	1/8 (.1250)	1/4	1/4
P-16-8-1.250			1/2
P-20-4-1.250	1/8 (.1250)	5/16	1/4
P-20-6-1.250			3/8
P-20-8-1.250			1/2
P-20-12-1.250			3/4
P-16-4-1.285	#30 (.1285)	1/4	1/4
P-16-8-1.285			1/2
P-20-4-1.285	#30 (.1285)	5/16	1/4
P-20-8-1.285			1/2
P-16-8-1.360	#29 (.1360)	1/4	1/2
P-16-8-1.405	#28 (.1405)	1/4	1/2
P-16-8-1.406	9/64 (.1406)	1/4	1/2
P-20-4-1.406	9/64 (.1406)	5/16	1/4
P-20-8-1.406			1/2
P-20-12-1.406			3/4
P-20-8-1.440	#27 (.1440)	5/16	1/2
P-20-6-1.470	#26 (.1470)	5/16	3/8
P-20-8-1.470			1/2
P-20-6-1.495	#25 (.1495)	5/16	3/8
P-20-8-1.495			1/2
P-20-10-1.495			5/8
P-20-6-1.520	#24 (.1520)	5/16	3/8
P-20-6-1.562	5/32 (.1562)	5/16	3/8
P-20-8-1.562			1/2
P-20-12-1.562			3/4
P-20-4-1.570	#22 (.1570)	5/16	1/4
P-20-6-1.590	#21 (.1590)	5/16	3/8
P-20-8-1.590			1/2
P-20-12-1.590			3/4
P-20-6-1.610			3/8
P-20-8-1.610	#20 (.1610)	5/16	1/2
P-20-5-1.660			5/16
P-20-8-1.660	#19 (.1660)	5/16	1/2
P-20-6-1.719			3/8
P-20-8-1.719			1/2
P-20-12-1.719	11/64 (.1719)	5/16	3/4
P-20-6-1.730			3/8
P-20-8-1.730	#17 (.1730)	5/16	1/2

PART NO.	ID	OD	LENGTH
P-20-8-.1770	#16 (.1779)	5/16	1/2
P-20-6-.1800	#15 (.1800)	5/16	3/8
P-20-8-.1800			1/2
P-26-6-.1865	.1865	13/32	3/8
P-20-4-.1875	3/16 (.1875)	5/16	1/4
P-20-5-.1875			5/16
P-20-6-.1875			3/8
P-20-8-.1875			1/2
P-20-10-.1875			5/8
P-20-12-.1875			3/4
P-20-16-.1875	3/16 (.1875)	13/32	1
P-26-4-.1875			1/4
P-26-8-.1875			1/2
P-26-12-.1875			3/4
P-26-16-.1875			1
P-32-6-.1875			3/8
P-32-8-.1875	3/16 (.1875)	1/2	1/2
P-32-12-.1875			3/4
P-32-16-.1875			1
P-20-4-.1890	#12 (.1890)	5/16	1/4
P-20-6-.1890			3/8
P-20-8-.1890			1/2
P-20-4-.1910	#11 (.1910)	5/16	1/4
P-20-6-.1910			3/8
P-20-8-.1910			1/2
P-20-12-.1910			3/4
P-20-16-.1910			1
P-26-4-.1910			1/4
P-26-6-.1910	#11 (.1910)	13/32	3/8
P-26-8-.1910			1/2
P-32-8-.1910	#11 (.1910)	1/2	1/2
P-20-5-.1935	#10 (.1935)	5/16	5/16
P-20-8-.1935			1/2
P-26-8-.1935	#10 (.1935)	13/32	1/2
P-32-6-.1935			3/8
P-32-8-.1935	#10 (.1935)	1/2	1/2
P-26-8-.1960	#9 (.1960)	13/32	1/2
P-32-6-.1960	#9 (.1960)	1/2	3/8
P-32-8-.1960			1/2
P-32-12-.1960			3/4
P-26-8-.2010	#7 (.2010)	13/32	1/2
P-32-6-.2010	#7 (.2010)	1/2	3/8
P-32-8-.2010			1/2
P-32-12-.2010			3/4
P-32-6-.2031	13/64 (.2031)	1/2	3/8
P-32-8-.2031			1/2
P-32-12-.2031			3/4
P-32-6-.2130	#3 (.2130)	1/2	3/8
P-32-8-.2130			1/2
P-32-16-.2130			1
P-26-6-.2188	7/32 (.2188)	13/32	3/8
P-26-8-.2188			1/2
P-32-6-.2188			3/8
P-32-8-.2188	7/32 (.2188)	1/2	1/2
P-32-12-.2188			3/4
P-32-16-.2188			1
P-26-16-.2210	#2 (.2210)	13/32	1
P-32-6-.2210	#2 (.2210)	1/2	3/8
P-32-8-.2210			1/2
P-32-12-.2210			3/4
P-32-8-.2280	#1 (.2280)	1/2	1/2
P-32-12-.2280			3/4
P-28-6-.2344			15/64 (.2344)
P-28-8-.2344	1/2		
P-28-12-.2344	3/4		

PART NO.	ID	OD	LENGTH
P-32-6-.2380	B (.2380)	1/2	3/8
P-26-6-.2490	.2490	13/32	3/8
P-26-4-.2500	1/4 (.2500)	13/32	1/4
P-26-5-.2500			5/16
P-26-6-.2500			3/8
P-26-8-.2500			1/2
P-26-12-.2500			3/4
P-26-16-.2500			1
P-28-4-.2500	1/4 (.2500)	7/16	1/4
P-28-5-.2500			5/16
P-28-6-.2500			3/8
P-28-8-.2500			1/2
P-28-10-.2500			5/8
P-28-12-.2500			3/4
P-28-16-.2500	1/4 (.2500)	1/2	1
P-32-6-.2500			3/8
P-32-8-.2500			1/2
P-32-12-.2500			3/4
P-32-16-.2500	1		
P-26-8-.2510	.2510	13/32	1/2
P-26-12-.2510			3/4
P-28-8-.2510	.2510	7/16	1/2
P-32-8-.2520	6.40mm (.2520)	1/2	1/2
P-26-4-.2570	F (.2570)	13/32	1/4
P-26-5-.2570			5/16
P-26-8-.2570			1/2
P-28-16-.2570	F (.2570)	7/16	1
P-32-6-.2570	F (.2570)	1/2	3/8
P-32-8-.2570			1/2
P-32-12-.2570			3/4
P-32-8-.2610	G (.2610)	1/2	1/2
P-28-8-.2656	17/64 (.2656)	7/16	1/2
P-32-6-.2656	17/64 (.2656)	1/2	3/8
P-32-8-.2656			1/2
P-32-12-.2656			3/4
P-32-16-.2656			1
P-28-5-.2660	H (.2660)	7/16	5/16
P-32-16-.2660	H (.2660)	1/2	1
P-32-8-.2720	I (.2720)	1/2	1/2
P-32-8-.2770	J (.2770)	1/2	1/2
P-32-12-.2770			3/4
P-28-4-.2812	9/32 (.2812)	7/16	1/4
P-28-8-.2812			1/2
P-28-12-.2812			3/4
P-32-6-.2812			3/8
P-32-8-.2812	9/32 (.2812)	1/2	1/2
P-32-12-.2812			3/4
P-32-16-.2812			1
P-32-12-.2969	19/64 (.2969)	1/2	3/4
P-32-8-.3020	N (.3020)	1/2	1/2
P-32-12-.3020			3/4
P-32-6-.3115	.3115	1/2	3/8
P-32-6-.3125	5/16 (.3125)	1/2	3/8
P-32-8-.3125			1/2
P-32-12-.3125			3/4
P-32-16-.3125			1
P-40-8-.3125	5/16 (.3125)	5/8	1/2
P-40-16-.3125			1
P-40-22-.3125			1-3/8
P-32-6-.3160	O (.3160)	1/2	3/8
P-32-8-.3160			1/2
P-32-12-.3160			3/4
P-32-16-.3160			1
P-40-8-.3281	21/64 (.3281)	5/8	1/2
P-40-8-.3438	11/32 (.3438)	5/8	1/2

QUICK SHIP DRILL BUSHINGS

PRESS-FIT BUSHINGS (P), continued

PART NO.	ID	OD	LENGTH
P-40-8-.3740	9.50mm (.3740)	5/8	1/2
P-32-6-.3750	3/8 (.3750)	1/2	3/8
P-32-8-.3750			1/2
P-40-6-.3750	3/8 (.3750)	5/8	3/8
P-40-8-.3750			1/2
P-40-12-.3750			3/4
P-40-16-.3750			1
P-48-8-.3750	3/8 (.3750)	3/4	1/2
P-48-10-.3750			5/8
P-48-12-.3750			3/4
P-48-16-.3750			1
P-48-22-.3750			1-3/8
P-40-8-.3770			V (.3770)
P-40-12-.3770			3/4
P-40-8-.3906	25/64 (.3906)	5/8	1/2
P-40-16-.3906			1
P-40-8-.4062	13/32 (.4062)	5/8	1/2
P-40-16-.4062			1
P-40-8-.4219	27/64 (.4219)	5/8	1/2
P-48-16-.4219	27/64 (.4219)	3/4	1
P-40-8-.4375	7/16 (.4375)	5/8	1/2
P-40-12-.4375			3/4
P-40-16-.4375			1
P-48-8-.4375			1/2
P-48-12-.4375	7/16 (.4375)	3/4	3/4
P-48-16-.4375			1
P-48-22-.4375			1-3/8
P-48-8-.4531	29/64 (.4531)	3/4	1/2
P-48-12-.4531			3/4
P-48-8-.4688	15/32 (.4688)	3/4	1/2
P-48-8-.4844	31/64 (.4844)	3/4	1/2
P-48-12-.4990	.4990	3/4	3/4
P-40-8-.5000	1/2 (.5000)	5/8	1/2
P-40-12-.5000			3/4
P-40-16-.5000			1
P-48-8-.5000			1/2
P-48-10-.5000	1/2 (.5000)	3/4	5/8
P-48-12-.5000			3/4
P-48-16-.5000			1
P-48-20-.5000			1-1/4
P-48-22-.5000			1-3/8
P-48-24-.5000			1-1/2
P-56-10-.5000	1/2 (.5000)	7/8	5/8
P-56-12-.5000			3/4
P-56-16-.5000			1
P-64-8-.5000	1/2 (.5000)	1	1/2
P-64-12-.5000			3/4
P-64-16-.5000			1
P-48-8-.5010	.5010	3/4	1/2
P-48-10-.5156	33/64 (.5156)	3/4	5/8
P-48-12-.5312	17/32 (.5312)	3/4	3/4
P-48-22-.5312			1-3/8
P-56-8-.5625	9/16 (.5625)	7/8	1/2
P-56-10-.5625			5/8
P-56-12-.5625			3/4
P-56-16-.5938	19/32 (.5938)	7/8	1
P-48-24-.6250	5/8 (.6250)	3/4	1-1/2
P-56-8-.6250	5/8 (.6250)	7/8	1/2
P-56-10-.6250			5/8
P-56-12-.6250			3/4
P-56-16-.6250			1
P-56-20-.6250			1-1/4
P-56-22-.6250			1-3/8
P-56-24-.6250			1-1/2

PART NO.	ID	OD	LENGTH
P-64-8-.6250	5/8 (.6250)	1	1/2
P-64-12-.6250			3/4
P-64-16-.6250			1
P-64-22-.6250			1-3/8
P-56-8-.6406	41/64 (.6406)	7/8	1/2
P-64-8-.6562	21/32 (.6562)	1	1/2
P-64-12-.6562			3/4
P-64-16-.6562			1
P-64-20-.6719	43/64 (.6719)	1	1-1/4
P-64-8-.6875	11/16 (.6875)	1	1/2
P-64-16-.6875			1
P-64-20-.6875			1-1/4
P-64-8-.7500	3/4 (.7500)	1	1/2
P-64-12-.7500			3/4
P-64-16-.7500			1
P-64-20-.7500			1-1/4
P-64-22-.7500			1-3/8
P-64-24-.7500			1-1/2

LINER BUSHINGS (L)

PART NO.	ID	OD	LENGTH
L-28-8	1/4	7/16	1/2
L-32-4	5/16	1/2	1/4
L-32-8	5/16	1/2	1/2
L-32-16	5/16	1/2	1
L-64-8	3/4	1	1/2
L-64-12	3/4	1	3/4
L-64-16	3/4	1	1
L-64-24	3/4	1	1-1/2
L-88-12	1	1-3/8	3/4
L-88-16	1	1-3/8	1
L-88-22	1	1-3/8	1-3/8

HEAD PRESS-FIT BUSHINGS (H)

PART NO.	ID	OD	LENGTH UNDER HEAD	HEAD DIA	HEAD HEIGHT
H-16-8-.0980	#40 (.0980)	1/4	1/2	23/64	3/32
H-16-8-.1285	#30 (.1285)	1/4	1/2	23/64	3/32
H-24-4-.2210	#2 (.2210)	3/8	1/4	1/2	3/32
H-26-6-.2500	1/4 (.2500)	13/32	3/8	1/2	5/32
H-32-8-.3125	5/16 (.3125)	1/2	1/2	39/64	7/32
H-40-8-.3750	3/8 (.3750)	5/8	1/2	51/64	7/32
H-48-4-.5000	1/2 (.5000)	3/4	1/4	59/64	7/32
H-48-6-.5000			3/8	59/64	7/32
H-48-8-.5000			1/2	59/64	7/32
H-56-8-.6250	5/8 (.6250)	7/8	1/2	1-7/64	1/4
H-56-16-.6250			1	1-7/64	1/4
H-64-8-.7500	3/4 (.7500)	1	1/2	1-15/64	5/16

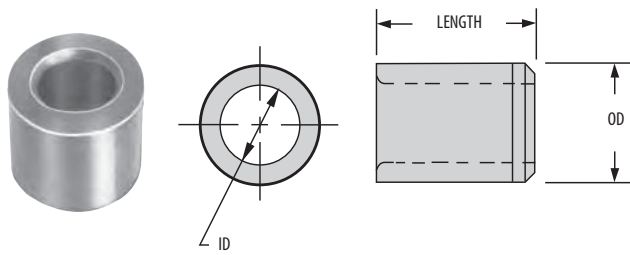
PRESS-FIT BUSHINGS METRIC (PM)

PART NO.	ID	OD	LENGTH
PM-6-8-3.00	3.00mm	6mm	8mm
PM-8-12-5.00	5.00mm	8mm	12mm
PM-10-10-6.00	6.00mm	10mm	10mm
PM-12-10-6.80	6.80mm	12mm	10mm
PM-12-10-8.00	8.00mm	12mm	10mm
PM-12-16-8.00			16mm
PM-15-12-8.40	8.40mm	15mm	12mm
PM-15-12-10.00	10.00mm	15mm	12mm
PM-18-12-12.00	12.00mm	18mm	12mm
PM-30-20-20.00	20.00mm	30mm	20mm
PM-42-25-30.00	30.00mm	42mm	25mm

HEAD PRESS-FIT BUSHINGS METRIC (HM)

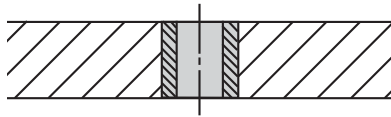
PART NO.	ID	OD	OVERALL LENGTH	HEAD DIA	HEAD HEIGHT
HM-12-16-8.00	8.00mm	12mm	16mm	15mm	3mm
HM-15-12-10.00	10.00mm	15mm	12mm	18mm	3mm
HM-18-20-12.00	12.00mm	18mm	20mm	22mm	4mm
HM-22-16-15.00	15.00mm	22mm	16mm	26mm	4mm
HM-30-20-20.00	20.00mm	30mm	20mm	34mm	5mm
HM-30-20-22.00	22.00mm	30mm	20mm	34mm	5mm
HM-55-30-42.00	42.00mm	55mm	30mm	59mm	5mm

PRESS FIT BUSHINGS



APPLICATIONS:

This is the most-popular and least-expensive drill bushing. P bushings are permanently pressed into the jig plate, usually flush with the top surface. They are generally used for single-step drilling or reaming operations when you do not expect to replace bushings during the tooling's lifetime. P bushings can be mounted closer together than headed bushings, but offer less resistance to heavy axial loads.



ORDERING EXAMPLES:

P-20-16-.1250	Standard inch bushing, inch ID
P-20-16-.1772	Standard inch bushing, mm ID (.1772 = 4.50mm)
P-20-16U-.1250	Unground OD
P-20-16-.1250 REAMER	Reamer tolerance on ID
P-20-16-.1250 NCB	No counterbore on long bushings marked with * (no counterbore is standard on all other bushings)
PC-20-16-.1250	Carbide bushing
PM-8-12-4.50	Standard metric bushing

Standard prices apply only to bushings with a standard-drill-size ID within the stated ID range. See catalog back cover for standard drill sizes and their decimal equivalents. For prices on non-standard ID sizes, including reamer-tolerance and tap-guide bushings, please contact factory.

STANDARD ID TOLERANCES:

From #80 to 1/4"	+.0001/+.0004	From .35 to 3mm	+.002/+.008mm
Over 1/4 to 3/4"	+.0001/+.0005	Over 3 to 6mm	+.004/+.012mm
Over 3/4 to 1-1/2"	+.0002/+.0006	Over 6 to 10mm	+.005/+.014mm
Over 1-1/2 to 2-3/4"	+.0003/+.0007	Over 10 to 18mm	+.006/+.017mm
		Over 18 to 30mm	+.007/+.020mm
		Over 30 to 50mm	+.009/+.025mm
		Over 50 to 80mm	+.010/+.029mm
		Over 80 to 120mm	+.012/+.034mm (G6 tolerance)

REAMER ID TOLERANCES:

From #60 to 1/4"	+.0005/+.0008	From 1 to 3mm	+.006/+.012mm
Over 1/4 to 1"	+.0006/+.0010	Over 3 to 6mm	+.010/+.018mm
Over 1" to 1-1/2"	+.0008/+.0012	Over 6 to 10mm	+.013/+.022mm
		Over 10 to 18mm	+.016/+.027mm
		Over 18 to 30mm	+.020/+.033mm (F6 tolerance)

ID RANGE	OD	LENGTH	ANSI PART NO.
.0135-.0291 #80-#70 .35-.70mm	5/32 .1578-.1575 (.166-.161 UNG)	1/4	P-10-4
		5/16	P-10-5
		3/8	P-10-6
		*1/2	P-10-8
.0292-.0519 #69-3/64 .75-1.25mm		1/4	P-10-4
		5/16	P-10-5
		3/8	P-10-6
		*1/2	P-10-8
.0520-.0625 #55-1/16 1.30-1.60mm		*3/4	P-10-12
		1/4	P-10-4
		5/16	P-10-5
		3/8	P-10-6
.0520-.0634 #55-1/16 1.30-1.60mm	*1/2	P-10-8	
	*3/4	P-10-12	
	1/4	P-12-4	
	5/16	P-12-5	
.0635-.0995 #52-#39 1.65-2.50mm	3/8	P-12-6	
	*1/2	P-12-8	
	*5/8	P-12-10	
	*3/4	P-12-12	
.0135-.0291 #80-#70 .35-.70mm	1/4	P-12-4	
	5/16	P-12-5	
	3/8	P-12-6	
	1/2	P-12-8	
.0292-.0519 #69-3/64 .75-1.30mm	5/8	P-12-10	
	*3/4	P-12-12	
	1/4	P-13-4	
	5/16	P-13-5	
.0520-.0634 #55-1/16 1.35mm-1.60mm	3/8	P-13-6	
	*1/2	P-13-8	
	*3/4	P-13-12	
	1/4	P-13-4	
.0635-.0995 #52-#39 1.65-2.50mm	5/16	P-13-5	
	3/8	P-13-6	
	1/2	P-13-8	
	*3/4	P-13-12	
.0135-.0291 #80-#70 .35-.70mm	*1	P-13-16	
	1/4	P-13-4	
	5/16	P-13-5	
	3/8	P-13-6	
.0292-.0519 #69-3/64 .75-1.30mm	1/2	P-13-8	
	*3/4	P-13-12	
	*1	P-13-16	
	*1-3/8	P-13-22	
.0520-.0634 #55-1/16 1.35mm-1.60mm	1/4	P-13-4	
	5/16	P-13-5	
	3/8	P-13-6	
	*1/2	P-13-8	
.0635-.0995 #52-#39 1.65-2.50mm	*3/4	P-13-12	
	*1	P-13-16	
	*1-3/8	P-13-22	

* **INFO+**: Counterbored, leaving correct drill-bearing length and clearance (see page 534 for bearing length).

PRESS FIT BUSHINGS



ID RANGE	OD	LENGTH	ANSI PART NO.
.0980-.1406 #40-9/64 2.50-3.50mm	1/4 .2516-.2513 (.265-.260 UNG)	1/4	P-16-4
		5/16	P-16-5
		3/8	P-16-6
		1/2	P-16-8
		5/8	P-16-10
		*3/4	P-16-12
		*1	P-16-16
		*1-3/8	P-16-22
		*1-1/2	P-16-24
		*1-3/4	P-16-28
		.1250-.1935 1/8-#10 3.20-4.90mm	5/16 .3141-.3138 (.327-.322 UNG)
5/16	P-20-5		
3/8	P-20-6		
1/2	P-20-8		
5/8	P-20-10		
3/4	P-20-12		
*1	P-20-16		
*1-3/8	P-20-22		
*1-1/2	P-20-24		
*1-3/4	P-20-28		
.1935-.2280 #10-#1 4.90-5.80mm	3/8 .3766-.3763 (.390-.385 UNG)		
		5/16	P-24-5
		3/8	P-24-6
		1/2	P-24-8
		5/8	P-24-10
		3/4	P-24-12
		*1	P-24-16
.1875-.2570 3/16-F 4.75-6.50mm	13/32 .4078-.4075 (.421-.416 UNG)	1/4	P-26-4
		5/16	P-26-5
		3/8	P-26-6
		1/2	P-26-8
		3/4	P-26-12
		*1	P-26-16
		*1-3/8	P-26-22
		*1-1/2	P-26-24
.2340-.2900 A-L 5.90-7.40mm	7/16 .4392-.4389 (.453-.448 UNG)	1/4	P-28-4
		5/16	P-28-5
		3/8	P-28-6
		1/2	P-28-8
		5/8	P-28-10
		3/4	P-28-12
		*1	P-28-16
.1875-.3160 3/16-O 4.75-8.00mm	1/2 .5017-.5014 (.520-.515 UNG)	1/4	P-32-4
		5/16	P-32-5
		3/8	P-32-6
		1/2	P-32-8
		3/4	P-32-12
		*1	P-32-16
		*1-3/8	P-32-22
		*1-1/2	P-32-24
		*1-3/4	P-32-28
		*2-1/8	P-32-34

ID RANGE	OD	LENGTH	ANSI PART NO.
.2950-.3438 M-11/32 7.50-8.75mm	9/16 .5642-.5639 (.582-.577 UNG)	1/4	P-36-4
		5/16	P-36-5
		3/8	P-36-6
		1/2	P-36-8
		5/8	P-36-10
		3/4	P-36-12
		1	P-36-16
.3125-.4375 5/16-7/16 7.90-11.00mm	5/8 .6267-.6264 (.645-.640 UNG)	1/4	P-40-4
		5/16	P-40-5
		3/8	P-40-6
		1/2	P-40-8
		5/8	P-40-10
		3/4	P-40-12
		1	P-40-16
		1-1/4	P-40-20
		1-3/8	P-40-22
		1-1/2	P-40-24
		1-3/4	P-40-28
2-1/8	P-40-34		
.3125-.5312 5/16-17/32 7.90-13.50mm	3/4 .7518-.7515 (.770-.765 UNG)	1/4	P-48-4
		5/16	P-48-5
		3/8	P-48-6
		1/2	P-48-8
		5/8	P-48-10
		3/4	P-48-12
		1	P-48-16
		1-1/4	P-48-20
		1-3/8	P-48-22
		1-1/2	P-48-24
		1-3/4	P-48-28
2-1/8	P-48-34		
*2-1/2	P-48-40		
.5000-.6562 1/2-21/32 12.50-16.50mm	7/8 .8768-.8765 (.895-.890 UNG)	5/16	P-56-5
		3/8	P-56-6
		1/2	P-56-8
		5/8	P-56-10
		3/4	P-56-12
		1	P-56-16
		1-1/4	P-56-20
		1-3/8	P-56-22
		1-1/2	P-56-24
		1-3/4	P-56-28
		2-1/8	P-56-34
2-1/2	P-56-40		

* **INFO+**: Counterbored, leaving correct drill-bearing length and clearance (see page 534 for bearing length).

PRESS FIT BUSHINGS



ID RANGE	OD	LENGTH	ANSI PART NO.
.5000-.7656 1/2-49/64 12.50-19.50mm	1 1.0018-1.0015 (1.020-1.015 UNG)	1/2	P-64-8
		5/8	P-64-10
		3/4	P-64-12
		1	P-64-16
		1-1/4	P-64-20
		1-3/8	P-64-22
		1-1/2	P-64-24
		1-3/4	P-64-28
		2-1/8	P-64-34
		2-1/2	P-64-40
.7656-.8438 49/64-27/32 19.50-21.50mm	1-1/8 1.1270-1.1267 (1.145-1.140 UNG)	1/2	P-72-8
		5/8	P-72-10
		3/4	P-72-12
		1	P-72-16
		1-1/4	P-72-20
		1-1/2	P-72-24
		1-3/4	P-72-28
.8594-.9375 55/64-15/16 22.00-24.00mm	1-1/4 1.2520-1.2517 (1.270-1.265 UNG)	5/8	P-80-10
		3/4	P-80-12
		1	P-80-16
		1-1/4	P-80-20
		1-1/2	P-80-24
		1-3/4	P-80-28
		2	P-80-32
.6250-1.0312 5/8-1-1/32 16.00-26.00mm	1-3/8 1.3772-1.3768 (1.395-1.390 UNG)	1/2	P-88-8
		5/8	P-88-10
		3/4	P-88-12
		1	P-88-16
		1-1/4	P-88-20
		1-3/8	P-88-22
		1-1/2	P-88-24
		1-3/4	P-88-28
		2	P-88-32
		2-1/8	P-88-34
2-1/2	P-88-40		
1.0156-1.1250 1-1/64-1-1/8 26.00-29.00mm	1-1/2 1.5021-1.5018 (1.520-1.515 UNG)	3	P-88-48
		3/4	P-96-12
		1	P-96-16
		1-1/4	P-96-20
		1-1/2	P-96-24
		1-3/4	P-96-28
2	P-96-32		
2-1/4	P-96-36		

* **INFO+:** Counterbored, leaving correct drill-bearing length and clearance (see page 532 for bearing length).

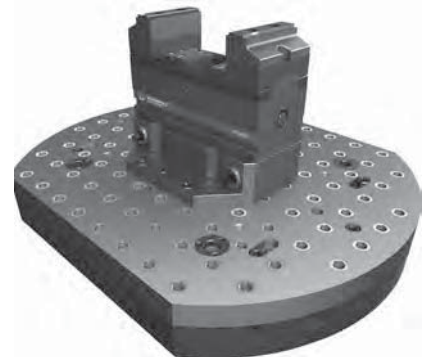
ID RANGE	OD	LENGTH	ANSI PART NO.
1.0000-1.3906 1-1-25/64 25.00-35.00mm	1-3/4 1.7523-1.7519 (1.770-1.765 UNG)	3/4	P-112-12
		1	P-112-16
		1-3/8	P-112-22
		1-1/2	P-112-24
		1-3/4	P-112-28
		2-1/8	P-112-34
		2-1/2	P-112-40
1.3750-1.7656 1-3/8-1-49/64 35.00-45.00mm	2-1/4 2.2525-2.2521 (2.270-2.265 UNG)	3	P-112-48
		1	P-144-16
		1-3/8	P-144-22
		1-1/2	P-144-24
		1-3/4	P-144-28
		2-1/8	P-144-34
		2-1/2	P-144-40
3	P-144-48		

For extended-range bushings (larger sizes) please see our web catalog.



5-Axis Workholding

Quick-Change With No Adaptor Plates, Blocks Or Pallets Necessary



- Quintus fixture plates available as blank, or with multi-function holes
- German-built, extremely accurate precision vises
- Allows unrestricted tool access for multiple-side machining
- Numerous jaw types and sizes available

See Pages 342-363

PRESS FIT BUSHINGS – CARBIDE



ID RANGE	OD	LENGTH	ANSI PART NO.
.0280-.0468 #70-#56 .75-1.15mm	5/32 .1578-.1575	5/16	PC-10-5
		1/2	PC-10-8
.0469-.0625 3/64-1/16 1.20-1.55mm	5/32 .1578-.1575	5/16	PC-10-5
		1/2	PC-10-8
.0550-.0995 #54-#39 1.40-2.50mm	13/64 .2046-.2043	5/16	PC-13-5
		1/2	PC-13-8
.0995-.1360 #39-#29 2.55-3.40mm	1/4 .2516-.2513	5/16	PC-16-5
		1/2	PC-16-8
.1285-.1875 #30-3/16 3.30-4.75mm	5/16 .3141-.3138	5/16	PC-20-5
		1/2	PC-20-8
		3/4	PC-20-12
		1	PC-20-16
.1875-.2500 3/16-1/4 4.80-6.30mm	13/32 .4078-.4075	5/16	PC-26-5
		1/2	PC-26-8
		3/4	PC-26-12
		1	PC-26-16
.2188-.3125 7/32-5/16 5.60-7.90mm	1/2 .5017-.5014	5/16	PC-32-5
		1/2	PC-32-8
		3/4	PC-32-12
		1	PC-32-16
		1-3/8	PC-32-22
.3125-.4219 5/16-27/64 8.00-10.50mm	5/8 .6267-.6264	1/2	PC-40-8
		3/4	PC-40-12
		1	PC-40-16
		1-3/8	PC-40-22
.3750-.5000 3/8-1/2 9.60-12.50mm	3/4 .7518-.7515	1/2	PC-48-8
		3/4	PC-48-12
		1	PC-48-16
		1-3/8	PC-48-22
.5000-.6250 1/2-5/8 13.00-15.50mm	7/8 .8768-.8765	1/2	PC-56-8
		3/4	PC-56-12
		1	PC-56-16
		1-3/8	PC-56-22
		1-3/4	PC-56-28

ID RANGE	OD	LENGTH	ANSI PART NO.
.5000-.7500 1/2-3/4 13.00-19.00mm	1 1.0018-1.0015	1/2	PC-64-8
		3/4	PC-64-12
		1	PC-64-16
		1-3/8	PC-64-22
		1-3/4	PC-64-28
.7500-1.0000 3/4-1 19.50-25.00mm	1-3/8 1.3772-1.3768	3/4	PC-88-12
		1	PC-88-16
		1-3/8	PC-88-22
		1-3/4	PC-88-28
		2-1/8	PC-88-34
1.0000-1.3750 1-1-3/8 26.00-34.00mm	1-3/4 1.7523-1.7519	2-1/2	PC-88-40
		1	PC-112-16
		1-3/8	PC-112-22
		1-3/4	PC-112-28
		2-1/8	PC-112-34
1.3750-1.7500 1-3/8-1-3/4 35.00-44.00mm	2-1/4 2.2525-2.2521	2-1/2	PC-112-40
		3	PC-112-48
		1	PC-144-16
		1-3/8	PC-144-22
		1-3/4	PC-144-28
		2-1/8	PC-144-34
		2-1/2	PC-144-40
		3	PC-144-48

Alignment Pins

Strength and Precision



- Wide assortment of quality ball lock and detent pins for precision alignment
- In steel or stainless steel
- Wide selection of other alignment pins are available

See Pages 27-59

PRESS FIT BUSHINGS – METRIC



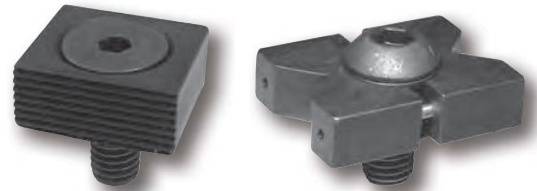
ID RANGE (G6)	OD (s6)	LENGTH	ANSI PART NO.
.35-1.00mm	4mm 4.027-4.019mm	*6mm	PM-4-6
		*9mm	PM-4-9
1.01-1.80mm	4mm 4.027-4.019mm	6mm	PM-4-6
		9mm	PM-4-9
1.81-2.60mm	5mm 5.027-5.019mm	6mm	PM-5-6
		9mm	PM-5-9
2.61-3.30mm	6mm 6.027-6.019mm	8mm	PM-6-8
		12mm	PM-6-12
		16mm	PM-6-16
3.31-4.00mm	7mm 7.032-7.023mm	8mm	PM-7-8
		12mm	PM-7-12
		16mm	PM-7-16
4.01-5.00mm	8mm 8.032-8.023mm	8mm	PM-8-8
		12mm	PM-8-12
		16mm	PM-8-16
5.01-6.00mm	10mm 10.032-10.023mm	10mm	PM-10-10
		16mm	PM-10-16
		20mm	PM-10-20
6.01-8.00mm	12mm 12.039-12.028mm	10mm	PM-12-10
		16mm	PM-12-16
		20mm	PM-12-20
8.01-10.00mm	15mm 15.039-15.028mm	12mm	PM-15-12
		20mm	PM-15-20
		25mm	PM-15-25
10.01-12.00mm	18mm 18.039-18.028mm	12mm	PM-18-12
		20mm	PM-18-20
		25mm	PM-18-25
12.01-15.00mm	22mm 22.048-22.035mm	16mm	PM-22-16
		28mm	PM-22-28
		36mm	PM-22-36
15.01-18.00mm	26mm 26.048-26.035mm	16mm	PM-26-16
		28mm	PM-26-28
		36mm	PM-26-36
18.01-22.00mm	30mm 30.048-30.035mm	20mm	PM-30-20
		36mm	PM-30-36
		45mm	PM-30-45
22.01-26.00mm	35mm 35.059-35.043mm	20mm	PM-35-20
		36mm	PM-35-36
		45mm	PM-35-45
26.01-30.00mm	42mm 42.059-42.043mm	25mm	PM-42-25
		45mm	PM-42-45
		56mm	PM-42-56
30.01-35.00mm	48mm 48.059-48.043mm	25mm	PM-48-25
		45mm	PM-48-45
		56mm	PM-48-56
35.01-42.00mm	55mm 55.072-55.053mm	30mm	PM-55-30
		56mm	PM-55-56
		67mm	PM-55-67
42.01-48.00mm	62mm 62.072-62.053mm	30mm	PM-62-30
		56mm	PM-62-56
		67mm	PM-62-67

ID RANGE (G6)	OD (s6)	LENGTH	ANSI PART NO.
48.01-55.00mm	70mm 70.078-70.059mm	30mm	PM-70-30
		56mm	PM-70-56
		67mm	PM-70-67
55.01-63.00mm	78mm 78.078-78.059mm	35mm	PM-78-35
		67mm	PM-78-67
		78mm	PM-78-78
63.01-70.00mm	85mm 85.093-85.071mm	35mm	PM-85-35
		67mm	PM-85-67
		78mm	PM-85-78
70.01-78.00mm	95mm 95.093-95.071mm	40mm	PM-95-40
		78mm	PM-95-78
		105mm	PM-95-105
78.01-85.00mm	105mm 105.101-105.079mm	40mm	PM-105-40
		78mm	PM-105-78
		105mm	PM-105-105
85.01-95.00mm	115mm 115.101-115.079mm	45mm	PM-115-45
		89mm	PM-115-89
		112mm	PM-115-112
95.01-105.00mm	125mm 125.117-125.092mm	45mm	PM-125-45
		89mm	PM-125-89
		112mm	PM-125-112

* Small metric drill sizes through .80mm are counterbored 1.00mm diameter, with 3mm drill-bearing length.

TINY VISE® Edge Clamps

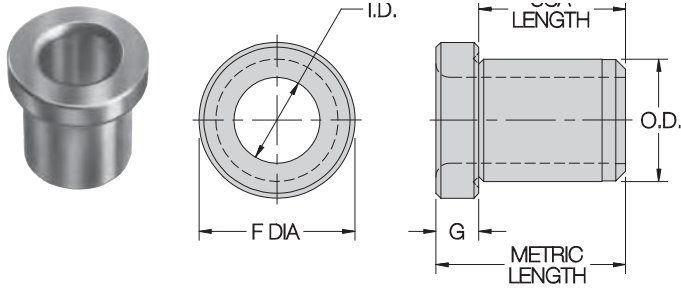
Strong Clamping Action For Fixturing Small Parts



- Patented Tiny Vise® edge clamps grip the side of the workpiece to keep the top clear for machining
- Clamping force is applied by positive screw action with the easy turn of a hex wrench
- Only Tiny Vise® Edge Clamps truly exert down thrust force on the workpiece, to prevent it from lifting
- Four types in a wide range of sizes from #8-32 thread to 1"-8 thread with 2,500 lbs. clamping force
- Patented, more durable than similar clamps

See Pages 257-266

HEAD PRESS FIT BUSHINGS



H-20-16U-.1250 Unground OD
 H-20-16-.1250 REAMER Reamer tolerance on ID
 H-20-16-.1250 NCB No counterbore on long bushings
 marked with * (no counterbore is standard on all other bushings)
 HC-20-16-.1250 Carbide bushing
 HM-8-12-4.50 Standard metric bushing

Standard prices apply only to bushings with a standard-drill-size ID within the stated ID range. See catalog back cover for standard drill sizes and their decimal equivalents. For prices on non-standard ID sizes, including reamer-tolerance and tap-guide bushings, please contact factory.

STANDARD ID TOLERANCES:

From #80 to 1/4"	+0.001/+0.004	From .35 to 3mm	+0.002/+0.008mm
Over 1/4 to 3/4"	+0.001/+0.005	Over 3 to 6mm	+0.004/+0.012mm
Over 3/4 to 1-1/2"	+0.002/+0.006	Over 6 to 10mm	+0.005/+0.014mm
Over 1-1/2 to 2-3/4"	+0.003/+0.007	Over 10 to 18mm	+0.006/+0.017mm
		Over 18 to 30mm	+0.007/+0.020mm
		Over 30 to 50mm	+0.009/+0.025mm
		Over 50 to 80mm	+0.010/+0.029mm
		Over 80 to 120mm	+0.012/+0.034mm
			(G6 tolerance)

REAMER ID TOLERANCES:

From #60 a 1/4"	+0.005/+0.008	From 1 to 3mm	+0.006/+0.012mm
Over 1/4 to 1"	+0.006/+0.010	Over 3 to 6mm	+0.010/+0.018mm
Over 1 to 1-1/2"	+0.008/+0.012	Over 6 to 10mm	+0.013/+0.022mm
		Over 10 to 18mm	+0.016/+0.027mm
		Over 18 to 30mm	+0.020/+0.033mm
			(F6 tolerance)

ID RANGE	OD	LENGTH	ANSI PART NO.
.0135-.0291 #80-#70 .35-.70mm	5/32 .1578-.1575 (.166-.161 UNG)	1/4	H-10-4
		5/16	H-10-5
		*3/8	H-10-6
		*1/2	H-10-8
.0292-.0519 #69-3/64 .75-1.25mm		1/4	H-10-4
		5/16	H-10-5
		*3/8	H-10-6
		*1/2	H-10-8
		*3/4	H-10-12
.0520-.0625 #55-1/16 1.30-1.60mm		1/4	H-10-4
		5/16	H-10-5
		3/8	H-10-6
	*1/2	H-10-8	
		*3/4	H-10-12

* **INFO+:** Counterbored, leaving correct drill-bearing length and clearance (see page 534 for bearing length).

INCH

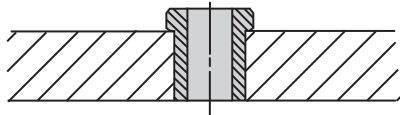
BODY OD	F DIA	G
5/32	1/4	1/4
13/64	19/64	19/64
1/4	23/64	23/64
5/16	27/64	27/64
3/8	1/2	1/2
13/32	1/2	1/2
7/16	9/16	9/16
1/2	39/64	39/64
9/16	11/16	11/16
5/8	51/64	51/64
3/4	59/64	59/64
7/8	1-7/64	1-7/64
1	1-15/64	1-15/64
1-1/4	1-1/2	1-1/2
1-3/8	1-39/64	1-39/64
1-3/4	1-63/64	1-63/64
2-1/4	2-31/6	2-31/6

METRIC

BODY OD	F DIA	G
4mm	7mm	2mm
5mm	8mm	2mm
6mm	9mm	2.5mm
7mm	10mm	2.5mm
8mm	11mm	2.5mm
10mm	13mm	3mm
12mm	15mm	3mm
15mm	18mm	3mm
18mm	22mm	4mm
22mm	26mm	4mm
26mm	30mm	4mm
30mm	34mm	5mm
35mm	39mm	5mm
42mm	46mm	5mm
48mm	52mm	5mm
55mm	59mm	5mm
62mm	66mm	6mm
70mm	74mm	6mm
78mm	82mm	6mm
85mm	90mm	6mm
95mm	100mm	6mm
105mm	110mm	6mm
115mm	120mm	6mm
125mm	130mm	6mm

APPLICATIONS:

Similar to a P bushing, but with a head to resist heavy axial loads. H bushings are permanently pressed into the jig plate. They are generally used for single-step drilling or reaming operations when you do not expect to replace bushings during the tooling's lifetime. The head can be left exposed, or recessed by counterboring the installation hole. **Note: The "length" listed for an inch head-press-fit bushing refers to its length under the head, while the metric version's "length" is its overall length.**



ORDERING EXAMPLES:

H-20-16-.1250 Standard inch bushing, inch ID
 H-20-16-.1772 Standard inch bushing, mm ID
 (.1772 = 4.50mm)

HEAD PRESS FIT BUSHINGS



ID RANGE	OD	LENGTH	ANSI PART NO.
.0135-.0291 #80-#70 .35-.70mm	13/64 .2046-.2043 (.213-.208 UNG)	1/4	H-13-4
		5/16	H-13-5
		*3/8	H-13-6
		*1/2	H-13-8
.0292-.0519 #69-3/64 .75-1.30mm		1/4	H-13-4
		5/16	H-13-5
		*3/8	H-13-6
		*1/2	H-13-8
.0520-.0634 #55-1/16 1.35-1.60mm		*3/4	H-13-12
		1/4	H-13-4
		5/16	H-13-5
		3/8	H-13-6
	*1/2	H-13-8	
	*3/4	H-13-12	
.0635-.0995 #52-#39 1.65-2.50mm	*1	H-13-16	
	1/4	H-13-4	
	5/16	H-13-5	
	3/8	H-13-6	
	*1/2	H-13-8	
.0980-.1406 #40-9/64 2.50-3.50mm	*3/4	H-13-12	
	*1	H-13-16	
	1/4	H-16-4	
	5/16	H-16-5	
	3/8	H-16-6	
	*1/2	H-16-8	
	*5/8	H-16-10	
.1250-.1935 1/8-#10 3.20-4.90mm	*3/4	H-16-12	
	*1	H-16-16	
	*1-3/8	H-16-22	
	*1-1/2	H-16-24	
	1/4	H-20-4	
	5/16	H-20-5	
	3/8	H-20-6	
	1/2	H-20-8	
.1935-.2280 #10-#1 4.90-5.80mm	5/8	H-20-10	
	3/4	H-20-12	
	*1	H-20-16	
	*1-3/8	H-20-22	
	*1-1/2	H-20-24	
	1/4	H-24-4	
	5/16	H-24-5	
.1875-.2570 3/16-F 4.75-6.50mm	3/8	H-24-6	
	1/2	H-24-8	
	5/8	H-24-10	
	3/4	H-24-12	
	*1	H-24-16	
	1/4	H-26-4	
.1875-.2570 3/16-F 4.75-6.50mm	5/16	H-26-5	
	3/8	H-26-6	
	1/2	H-26-8	
	3/4	H-26-12	
	*1	H-26-16	
	*1-3/8	H-26-22	
	*1-1/2	H-26-24	
	*1-3/4	H-26-28	

* **INFO+**: Counterbored, leaving correct drill-bearing length and clearance (see page 534 for bearing length).

ID RANGE	OD	LENGTH	ANSI PART NO.
.2340-.2900 A-L 5.90-7.40mm	7/16 .4392-.4389 (.453-.448 UNG)	1/4	H-28-4
		5/16	H-28-5
		3/8	H-28-6
		1/2	H-28-8
		5/8	H-28-10
		3/4	H-28-12
.1875-.3160 3/16-O 4.75-8.00mm	1/2 .5017-.5014 (.520-.515 UNG)	*1	H-28-16
		1/4	H-32-4
		5/16	H-32-5
		3/8	H-32-6
		1/2	H-32-8
		3/4	H-32-12
.2950-.3438 M-11/32 7.50-8.75mm	9/16 .5642-.5639 (.582-.577 UNG)	*1	H-32-16
		*1-3/8	H-32-22
		*1-1/2	H-32-24
		*1-3/4	H-32-28
		1/4	H-36-4
		5/16	H-36-5
.3125-.4375 5/16-7/16 7.90-11.00mm	5/8 .6267-.6264 (.645-.640 UNG)	3/8	H-36-6
		1/2	H-36-8
		5/8	H-36-10
		3/4	H-36-12
		1	H-36-16
		1/4	H-40-4
.3125-.5312 5/16-17/32 7.90-13.50mm	3/4 .7518-.7515 (.770-.765 UNG)	5/16	H-40-5
		3/8	H-40-6
		1/2	H-40-8
		5/8	H-40-10
		3/4	H-40-12
		1	H-40-16
		1-3/8	H-40-22
		1-1/2	H-40-24
.3125-.5312 5/16-17/32 7.90-13.50mm	3/4 .7518-.7515 (.770-.765 UNG)	1-3/4	H-40-28
		2-1/8	H-40-34
		1/4	H-48-4
		5/16	H-48-5
		3/8	H-48-6
		1/2	H-48-8
		5/8	H-48-10
		3/4	H-48-12
.3125-.5312 5/16-17/32 7.90-13.50mm	3/4 .7518-.7515 (.770-.765 UNG)	1	H-48-16
		1-1/4	H-48-20
		1-3/8	H-48-22
		1-1/2	H-48-24
		1-3/4	H-48-28
		2-1/8	H-48-34

HEAD PRESS FIT BUSHINGS



ID RANGE	OD	LENGTH	ANSI PART NO.
.5000-.6562 1/2-21/32 12.50-16.50mm	7/8 .8768-.8765 (.895-.890 UNG)	1/2	H-56-8
		5/8	H-56-10
		3/4	H-56-12
		1	H-56-16
		1-1/4	H-56-20
		1-3/8	H-56-22
		1-1/2	H-56-24
		1-3/4	H-56-28
		2-1/8	H-56-34
2-1/2	H-56-40		
.5000-.7656 1/2-49/64 12.50-19.50mm	1 1.0018-1.0015 (1.020-1.015 UNG)	1/2	H-64-8
		3/4	H-64-12
		1	H-64-16
		1-3/8	H-64-22
		1-1/2	H-64-24
		1-3/4	H-64-28
		2-1/8	H-64-34
		2-1/2	H-64-40
		3	H-64-48
.8594-.9375 55/64-15/16 22.00-24.00mm	1-1/4 1.2520-1.2517 (1.270-1.265 UNG)	5/8	H-80-10
		3/4	H-80-12
		1	H-80-16
		1-1/4	H-80-20
		1-1/2	H-80-24
		1-3/4	H-80-28
		2	H-80-32
.6250-1.0312 5/8-1-1/32 16.00-26.00mm	1-3/8 1.3772-1.3768 (1.395-1.390 UNG)	1/2	H-88-8
		3/4	H-88-12
		1	H-88-16
		1-3/8	H-88-22
		1-1/2	H-88-24
		1-3/4	H-88-28
		2-1/8	H-88-34
		2-1/2	H-88-40
		3	H-88-48
1.0000-1.3906 1-1-25/64 26.00-35.00mm	1-3/4 1.7523-1.7519 (1.770-1.765 UNG)	3/4	H-112-12
		1	H-112-16
		1-3/8	H-112-22
		1-1/2	H-112-24
		1-3/4	H-112-28
		2-1/8	H-112-34
		2-1/2	H-112-40
1.3750-1.7656 1-3/8-1-49/64 35.00-45.00mm	2-1/4 2.2525-2.2521 (2.270-2.265 UNG)	3	H-112-48
		1	H-144-16
		1-3/8	H-144-22
		1-1/2	H-144-24
		1-3/4	H-144-28
		2-1/8	H-144-34
		2-1/2	H-144-40
3	H-144-48		

For extended-range bushings (larger sizes) please see our web catalog.

Hoist Rings

**Trusted to Move
Your Most Important
Materials!**



**Many Varieties
Of Hoist Rings**

- Swivel Hoist Rings
- Safety Hoist Rings
- Pivoting Hoist Rings
- Lifting Eyes
- Side-Pull Hoist Rings

See Pages 66-82

HEAD PRESS FIT BUSHINGS – CARBIDE



ID RANGE	OD	LENGTH	ANSI PART NO.
.0280-.0468 #70-#56 .75-1.15mm	5/32 .1578-.1575	5/16	HC-10-5
		1/2	HC-10-8
.0469-.0625 3/64-1/16 1.20-1.55mm	5/32 .1578-.1575	5/16	HC-10-5
		1/2	HC-10-8
.0550-.0995 #54-#39 1.40-2.50mm	13/64 .2046-.2043	5/16	HC-13-5
		1/2	HC-13-8
.0995-.1360 #39-#29 2.55-3.40mm	1/4 .2516-.2513	5/16	HC-16-5
		1/2	HC-16-8
		5/16	HC-20-5
.1285-.1875 #30-3/16 3.30-4.75mm	5/16 .3141-.3138	1/2	HC-20-8
		3/4	HC-20-12
		1	HC-20-16
		5/16	HC-26-5
.1875-.2500 3/16-1/4 4.80-6.30mm	13/32 .4078-.4075	1/2	HC-26-8
		3/4	HC-26-12
		1	HC-26-16
		5/16	HC-32-5
.2188-.3125 7/32-5/16 5.60-7.90mm	1/2 .5017-.5014	1/2	HC-32-8
		3/4	HC-32-12
		1	HC-32-16
		1-3/8	HC-32-22
.3125-.4219 5/16-27/64 8.00-10.50mm	5/8 .6267-.6264	1/2	HC-40-8
		3/4	HC-40-12
		1	HC-40-16
		1-3/8	HC-40-22
.3750-.5000 3/8-1/2 9.60-12.50mm	3/4 .7518-.7515	1/2	HC-48-8
		3/4	HC-48-12
		1	HC-48-16
		1-3/8	HC-48-22
.5000-.6250 1/2-5/8 13.00-15.50mm	7/8 .8768-.8765	1/2	HC-56-8
		3/4	HC-56-12
		1	HC-56-16
		1-3/8	HC-56-22
		1-3/4	HC-56-28

Note: Due to manufacturing requirements, head dimensions of some carbide bushings may differ slightly from ANSI standards. Most carbide bushings have steel heads.

ID RANGE	OD	LENGTH	ANSI PART NO.
.5000-.7500 1/2-3/4 13.00-19.00mm	1 1.0018-1.0015	1/2	HC-64-8
		3/4	HC-64-12
		1	HC-64-16
		1-3/8	HC-64-22
		1-3/4	HC-64-28
.7500-1.0000 3/4-1 19.50-25.00mm	1-3/8 1.3772-1.3768	3/4	HC-88-12
		1	HC-88-16
		1-3/8	HC-88-22
		1-3/4	HC-88-28
		2-1/8	HC-88-34
1.0000-1.3750 1-1-3/8 26.00-34.00mm	1-3/4 1.7523-1.7519	2-1/2	HC-88-40
		1	HC-112-16
		1-3/8	HC-112-22
		1-3/4	HC-112-28
		2	HC-112-32
1.3750-1.7500 1-3/8-1-3/4 35.00-44.00mm	2-1/4 2.2525-2.2521	2-1/8	HC-112-34
		2-1/2	HC-112-40
		3	HC-112-48
		1	HC-144-16
		1-3/8	HC-144-22
		1-3/4	HC-144-28
		2-1/8	HC-144-34
		2-1/2	HC-144-40
		3	HC-144-48

Toggle Clamps

**High Quality, Durable
And Made in the USA!**

- A fast, easy workholding option
- Made of durable high grade steel
- Many varieties available
- Comfortable handle grip



See Pages 441-524

HEAD PRESS FIT BUSHINGS – METRIC

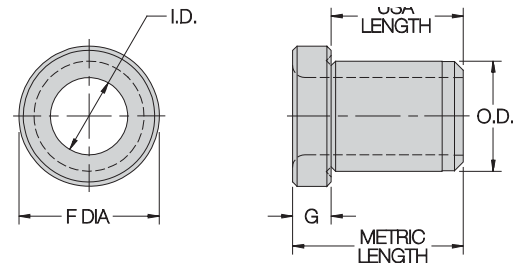


ID RANGE (G6)	OD (s6)	LENGTH	ANSI PART NO.
.35-1.00mm	4mm 4.027-4.019mm	*6mm	HM-4-6
		*9mm	HM-4-9
1.01-1.80mm	4mm 4.027-4.019mm	6mm	HM-4-6
		9mm	HM-4-9
1.81-2.60mm	5mm 5.027-5.019mm	6mm	HM-5-6
		9mm	HM-5-9
2.61-3.30mm	6mm 6.027-6.019mm	8mm	HM-6-8
		12mm	HM-6-12
		16mm	HM-6-16
3.31-4.00mm	7mm 7.032-7.023mm	8mm	HM-7-8
		12mm	HM-7-12
		16mm	HM-7-16
4.01-5.00mm	8mm 8.032-8.023mm	8mm	HM-8-8
		12mm	HM-8-12
		16mm	HM-8-16
5.01-6.00mm	10mm 10.032-10.023mm	10mm	HM-10-10
		16mm	HM-10-16
		20mm	HM-10-20
6.01-8.00mm	12mm 12.039-12.028mm	10mm	HM-12-10
		16mm	HM-12-16
		20mm	HM-12-20
8.01-10.00mm	15mm 15.039-15.028mm	12mm	HM-15-12
		20mm	HM-15-20
		25mm	HM-15-25
10.01-12.00mm	18mm 18.039-18.028mm	12mm	HM-18-12
		20mm	HM-18-20
		25mm	HM-18-25
12.01-15.00mm	22mm 22.048-22.035mm	16mm	HM-22-16
		28mm	HM-22-28
		36mm	HM-22-36
15.01-18.00mm	26mm 26.048-26.035mm	16mm	HM-26-16
		28mm	HM-26-28
		36mm	HM-26-36
18.01-22.00mm	30mm 30.048-30.035mm	20mm	HM-30-20
		36mm	HM-30-36
		45mm	HM-30-45
22.01-26.00mm	35mm 35.059-35.043mm	20mm	HM-35-20
		36mm	HM-35-36
		45mm	HM-35-45
26.01-30.00mm	42mm 42.059-42.043mm	25mm	HM-42-25
		45mm	HM-42-45
		56mm	HM-42-56
30.01-35.00mm	48mm 48.059-48.043mm	25mm	HM-48-25
		45mm	HM-48-45
		56mm	HM-48-56
35.01-42.00mm	55mm 55.072-55.053mm	30mm	HM-55-30
		56mm	HM-55-56
		67mm	HM-55-67
42.01-48.00mm	62mm 62.072-62.053mm	30mm	HM-62-30
		56mm	HM-62-56
		67mm	HM-62-67

* **INFO+:** Counterbored, leaving correct drill-bearing length and clearance (see page 532 for bearing length).

ID RANGE (G6)	OD (s6)	LENGTH	ANSI PART NO.
48.01-55.00mm	70mm 70.078-70.059mm	30mm	HM-70-30
		56mm	HM-70-56
		67mm	HM-70-67
55.01-63.00mm	78mm 78.078-78.059mm	35mm	HM-78-35
		67mm	HM-78-67
		78mm	HM-78-78
63.01-70.00mm	85mm 85.093-85.071mm	35mm	HM-85-35
		67mm	HM-85-67
		78mm	HM-85-78
70.01-78.00mm	95mm 95.093-95.071mm	40mm	HM-95-40
		78mm	HM-95-78
		105mm	HM-95-105
78.01-85.00mm	105mm 105.101-105.079mm	40mm	HM-105-40
		78mm	HM-105-78
		105mm	HM-105-105
85.01-95.00mm	115mm 115.101-115.079mm	45mm	HM-115-45
		89mm	HM-115-89
		112mm	HM-115-112
95.01-105.00mm	125mm 125.117-125.092mm	45mm	HM-125-45
		89mm	HM-125-89
		112mm	HM-125-112

* Small metric drill sizes through .80mm are counterbored 1.00mm diameter, with 3mm drill-bearing length.



Note: The "length" listed on this page for a metric head-press-fit bushing refers to its overall length, while the inch version's "length" is its length under the head.

ID Clamps Provide 5-Side Machining Access

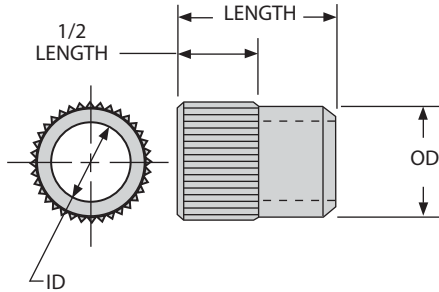
Self-Centering, Allowing Precise Clamping on Inner Diameter of Your Part

- Machinable to precisely fit the desired hole
- Clamp a part using an existing hole
- Allows access to five sides without any clamp interference



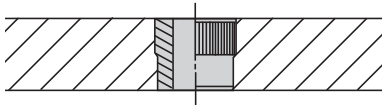
See Pages 280-281

SERRATED PRESS FIT BUSHINGS



APPLICATIONS:

Similar to a P bushing, but with top serrations to prevent rotation in soft materials. Recommended in high-torque situations for materials such as magnesium, aluminum, masonite, or wood. Finish-ground OD ensures accurate ID location. Serrations also resist axial force to prevent pushing the bushing through the jig plate.



ORDERING EXAMPLES:

SP-26-16-.1875 Standard inch bushing, inch ID
 SP-26-16-.1772 Standard inch bushing, mm ID (.1772 - 4.50mm)
 SP-26-16-.1875 REAMER Reamer tolerance on ID
 SP-26-16-.1875 NCB No counterbore on long bushings marked with * (no counterbore is standard on all other bushings)
 SPM-8-12-4.50 Standard metric bushing

Standard prices apply only to bushings with a standard-drill-size ID within the stated ID range. See catalog back cover for standard drill sizes and their decimal equivalents. For prices on non-standard ID sizes, including reamer-tolerance and tap-guide bushings, please contact factory.

STANDARD ID TOLERANCES:

From #55 to 1/4"	+0.001/+0.004	From 1 to 3mm	+0.02/+0.08mm
Over 1/4 to 3/4"	+0.001/+0.005	Over 3 to 6mm	+0.04/+0.12mm
Over 3/4 to 1-1/2"	+0.002/+0.006	Over 6 to 10mm	+0.05/+0.14mm
		Over 10 to 18mm	+0.06/+0.17mm
		Over 18 to 19mm	+0.07/+0.20mm
			(G6 tolerance)

REAMER ID TOLERANCES:

From #60 to 1/4"	+0.005/+0.008	From 1 to 3mm	+0.06/+0.12mm
Over 1/4 to 1"	+0.006/+0.010	Over 3 to 6mm	+0.10/+0.18mm
		Over 6 to 10mm	+0.13/+0.22mm
		Over 10 to 18mm	+0.16/+0.27mm
		Over 18 to 19mm	+0.20/+0.33mm
			(F6 tolerance)

ID RANGE	OD	LENGTH	ANSI PART NO.
.0520-.0995 #55-#39 1.35-2.50mm	13/64 .2031-.2029	1/4	SP-13-4
		5/16	SP-13-5
		3/8	SP-13-6
		1/2	SP-13-8
.0980-.1406 #40-9/64 2.50-3.50mm	1/4 .2500-.2498	1/4	SP-16-4
		5/16	SP-16-5
		3/8	SP-16-6
.1250-.1935 1/8-#10 3.20-4.90mm	5/16 .3125-.3123	1/2	SP-16-8
		1/4	SP-20-4
		5/16	SP-20-5
		3/8	SP-20-6
.1562-.2570 5/32-F 4.00-6.50mm	13/32 .4062-.4060	1/2	SP-20-8
		3/4	SP-20-12
		5/16	SP-26-5
		3/8	SP-26-6
.1562-.3160 5/32-O 4.00-8.00mm	1/2 .5000-.4998	1/2	SP-26-8
		3/4	SP-26-12
		*1	SP-26-16
		5/16	SP-32-5
.3125-.4375 5/16-7/16 7.90-11.00mm	5/8 .6250-.6248	3/8	SP-32-6
		1/2	SP-32-8
		3/4	SP-32-12
		*1	SP-32-16
.3125-.5312 5/16-17/32 8.00-13.00mm	3/4 .7500-.7498	3/8	SP-40-6
		1/2	SP-40-8
		3/4	SP-40-12
		1	SP-40-16
.5000-.6562 1/2-21/32 13.00-16.50mm	7/8 .8750-.8748	3/8	SP-48-6
		1/2	SP-48-8
		3/4	SP-48-12
		1	SP-48-16
.5000-.7656 1/2-49/64 13.00-19.00mm	1 1.0000-.9998	1/2	SP-56-6
		3/4	SP-56-8
		1	SP-56-12
		1-3/8	SP-56-16
.5000-.7656 1/2-49/64 13.00-19.00mm	1 1.0000-.9998	1/2	SP-64-8
		3/4	SP-64-12
		1	SP-64-16
		1-3/8	SP-64-22

* **INFO+:** Counterbored, leaving correct drill-bearing length and clearance (see page 532 for bearing length).

Visit Our Redesigned Website

- Product Catalog
- Customer Service
- Free CAD Drawings
- Videos
- Engineering Resources

Visit CarrLane.com

SERRATED PRESS FIT BUSHINGS – METRIC

ID RANGE (G6)	OD (h5)	LENGTH	ANSI PART NO.
1.00-1.80mm	5mm 5.000-4.995mm	6mm	SPM-5-6
		9mm	SPM-5-9
1.81-2.60mm		6mm	SPM-5-6
		9mm	SPM-5-9
2.61-3.30mm	6mm 6.000-5.995mm	8mm	SPM-6-8
		12mm	SPM-6-12
		16mm	SPM-6-16
3.31-4.00mm		7mm 7.000-6.994mm	8mm
	12mm		SPM-7-12
	16mm		SPM-7-16
4.01-5.00mm	8mm 8.000-7.994mm		8mm
		12mm	SPM-8-12
		16mm	SPM-8-16
5.01-6.00mm		10mm 10.000-9.994mm	10mm
	16mm		SPM-10-16
	20mm		SPM-10-20
6.01-8.00mm	12mm 12.000-11.992mm		10mm
		16mm	SPM-12-16
		20mm	SPM-12-20
8.01-10.00mm		15mm 15.000-14.992mm	12mm
	20mm		SPM-15-20
	25mm		SPM-15-25
10.01-12.00mm	18mm 18.000-17.992mm		12mm
		20mm	SPM-18-20
		25mm	SPM-18-25
12.01-15.00mm		22mm 22.000-21.991mm	16mm
	28mm		SPM-22-28
	36mm		SPM-22-36
15.01-18.00mm	26mm 26.000-25.991mm		16mm
		28mm	SPM-26-28
		36mm	SPM-26-36

CarrLock[™]
System for Fast Fixturing



PROBLEM:

"We are an aerospace prototype shop making the transition from prototype to production on an important UAV project. We've developed elaborate fixturing of all shapes and sizes. We found ourselves leaving our trim fixtures set up on a large gantry style table and then having to tear everything down when a large part came along to make way for it.

This tied up one of our most valuable spindles, and dust collection was nearly impossible. Change over and setup times were totally out of control."



Machine Operator Tyler Vaughn, of the Flying S, places a carbon trim fixture. The Carr Lock[®] receiver bushings allow for fixtures in various configurations.

SOLUTION:

"I discovered that I could combine 80% of our trim fixtures into just one fixture plate using just two Carr Lock pins, with excellent locating ability and much better clamping than before.

Our setup times have gone from an average of about 25 minutes to literally 30 seconds, thus saving us hundreds of hours."

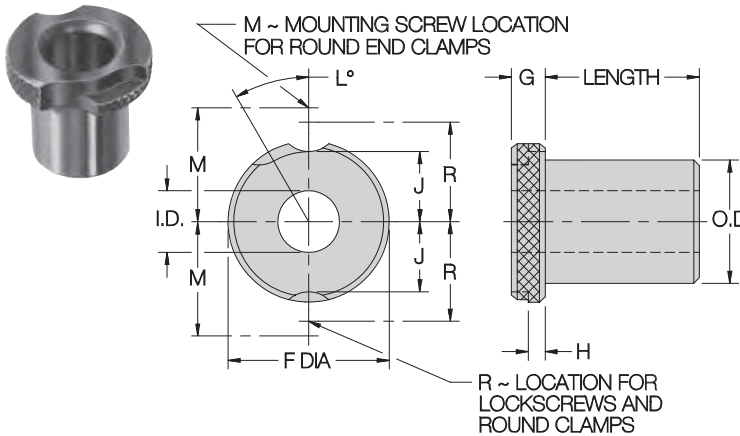
*Peter Bowman
Production Manager/Mfg Engineer
Flying S Inc.*

Exclusively
Made in the
USA

www.carrlane.com/carrlock

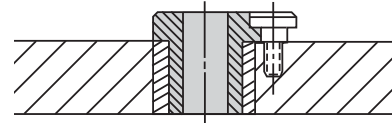
See Pages 324-341

SLIP/FIXED RENEWABLE BUSHINGS



APPLICATIONS:

Replaceable bushing generally used with a liner bushing and lock screw. Use when you expect to replace bushings during the tooling's lifetime, or when you want to switch bushings to perform multi-step operations with the same tooling. SF bushings combine the benefits of older S-type slip-renewable and F-type fixed-renewable bushings: One side has a small recess for fixed mounting; the other has a locking recess that allows the bushing to slip down, then lock in place by rotating it. S and F types are now obsolete and combination SF bushings will be furnished at no extra charge.



INCH

BODY OD	F DIA	G	H	J	L	M	R	LOCK SCREW			
3/16	5/16	3/16	3/32	3/32	55°		17/64	LS-0			
1/4	7/16	1/4	1/8	9/64	30°		23/64	TW-2			
5/16	35/64			11/64	65°	5/8	1/2	LS-1			
3/8	5/8			15/64	30°		29/64	TW-2			
7/16	5/8			15/64	30°		29/64	TW-2			
1/2	51/64			19/64	65°	3/4	5/8	LS-1			
9/16	7/8			23/64	65°		37/64	TW-2			
5/8	7/8			23/64	30°		37/64	TW-2			
3/4	1-3/64			27/64	50°	7/8	3/4	LS-1			
7/8	1-1/4			31/64	30°		53/64	TW-7			
1	1-27/64			3/8	3/16	19/32	35°	1-7/64	59/64	LS-2	
1-1/4	1-5/8	43/64	30°				1-1/64				
1-3/8	1-51/64	25/32	30°			1-19/64	1-7/64				
1-1/2	1-7/8	51/64	30°				1-9/64				
1-3/4	2-19/64	3/8	3/16			1	30°	1-41/64	1-25/64		LS-3
2-1/4	2-51/64					1-1/4	25°	1-57/64	1-41/64		

METRIC

8mm	15mm	6mm	3mm	4.5mm	65°		11.5mm	LSM-1		
10mm	18mm			6mm	65°		13mm	LSM-2		
12mm	22mm	8mm	4mm	7.5mm	60°		16mm	LSM-3		
15mm	26mm			9.5mm	50°		18mm	LSM-4		
18mm	30mm			11.5mm	50°		20mm			
22mm	34mm			10mm	5.5mm	13mm	35°		23.5mm	LSM-5
26mm	39mm	15.5mm	35°				26mm			
30mm	46mm	19mm	30°				29.5mm	LSM-6		
35mm	52mm	22mm	30°				32.5mm			
42mm	59mm	12mm	7mm			25.5mm	30°		36mm	LSM-7 LSM-8
48mm	66mm					28.5mm	30°		41mm	
55mm	74mm					32.5mm	25°		45mm	
62mm	82mm					36.5mm	25°		49mm	
70mm	90mm			40.5mm	25°		53mm			
78mm	100mm			45.5mm	25°		58mm			
85mm	110mm			50.5mm	20°		63mm			
95mm	120mm			55.5mm	20°		68mm			
105mm	130mm		20°		73mm					

ORDERING EXAMPLES:

SF-20-16-.1250 Standard inch bushing, inch ID
SF-20-16-.1772 Standard inch bushing, mm ID (.1772 = 4.50mm)

SF-20-16-.1250 REAMER Reamer tolerance on ID
SF-20-16-.1250 NCB No counterbore on long bushings marked with * (no counterbore is standard on all other bushings)

SFC-20-16-.1250 Carbide bushing
SFM-8-16-4.50 Standard metric bushing

Standard prices apply only to bushings with a standard-drill-size ID within the stated ID range. See catalog back cover for standard drill sizes and their decimal equivalents. For prices on non-standard ID sizes, including reamer-tolerance and tap-guide bushings, please contact factory.

STANDARD ID TOLERANCES:

From #80 to 1/4"	+0.001/+0.004	From .35 to 3mm	+0.02/+0.08mm
Over 1/4 to 3/4"	+0.001/+0.005	Over 3 to 6mm	+0.04/+0.12mm
Over 3/4 to 1-1/2"	+0.002/+0.006	Over 6 to 10mm	+0.05/+0.14mm
Over 1-1/2 to 2-3/4"	+0.003/+0.007	Over 10 to 18mm	+0.06/+0.17mm
		Over 18 to 30mm	+0.07/+0.20mm
		Over 30 to 50mm	+0.09/+0.25mm
		Over 50 to 80mm	+0.10/+0.29mm
		Over 80 to 120mm	+0.12/+0.34mm
			(G6 tolerance)

REAMER ID TOLERANCES:

From #60 to 1/4"	+0.005/+0.008	From 1 to 3mm	+0.06/+0.12mm
Over 1/4 to 1"	+0.006/+0.010	Over 3 to 6mm	+0.10/+0.18mm
Over 1 to 1-1/2"	+0.008/+0.012	Over 6 to 10mm	+0.13/+0.22mm
		Over 10 to 18mm	+0.16/+0.27mm
		Over 18 to 30mm	+0.20/+0.33mm
			(F6 tolerance)

SLIP/FIXED RENEWABLE BUSHINGS



ID RANGE	OD	LENGTH	ANSI PART NO.	LOCK SCREW
.0135-.0291 #80-#70 .35-.70mm	3/16 .1875-.1873	*1/4	SF-12-4	LS-0
		*5/16	SF-12-5	
		*3/8	SF-12-6	
		*1/2	SF-12-8	
		*5/8	SF-12-10	
		*3/4	SF-12-12	
.0292-.0519 #69-3/64 .75-1.25mm		1/4	SF-12-4	
		*5/16	SF-12-5	
		*3/8	SF-12-6	
		*1/2	SF-12-8	
		*5/8	SF-12-10	
		*3/4	SF-12-12	
.0520-.0634 #55-1/16 1.30-1.60mm		1/4	SF-12-4	
		*5/16	SF-12-5	
		*3/8	SF-12-6	
		*1/2	SF-12-8	
		*5/8	SF-12-10	
		*3/4	SF-12-12	
.0635-.0980 #52-#40 1.65-2.50mm		1/4	SF-12-4	
		*5/16	SF-12-5	
		*3/8	SF-12-6	
		*1/2	SF-12-8	
		*5/8	SF-12-10	
		*3/4	SF-12-12	
.0995-.1405 #39-#28 2.55-3.50mm	1/4	SF-16-4	TW-2	
	5/16	SF-16-5		
	*3/8	SF-16-6		
	*1/2	SF-16-8		
	*5/8	SF-16-10		
	*3/4	SF-16-12		

ID RANGE	OD	LENGTH	ANSI PART NO.	LOCK SCREW
.0135-.0291 #80-#70 .35-.70mm	5/16 .3125-.3123	*1/4	SF-20-4	LS-1 RC-01 RK-01 RK-10
		*5/16	SF-20-5	
		*3/8	SF-20-6	
		*1/2	SF-20-8	
		*3/4	SF-20-12	
		*5/16	SF-20-5	
.0292-.0519 #69-3/64 .75-1.30mm		*3/8	SF-20-6	
		*1/2	SF-20-8	
		*3/4	SF-20-12	
		*5/16	SF-20-5	
		*3/8	SF-20-6	
		*1/2	SF-20-8	
.0520-.0634 #55-1/16 1.35-1.60mm		*3/4	SF-20-12	
		5/16	SF-20-5	
		*3/8	SF-20-6	
		*1/2	SF-20-8	
		*3/4	SF-20-12	
		*1	SF-20-16	
.0635-.0934 #52-#43 1.65-2.35mm		5/16	SF-20-5	
		3/8	SF-20-6	
		*1/2	SF-20-8	
		*3/4	SF-20-12	
		*1	SF-20-16	
		*1-3/8	SF-20-22	
.0935-.1249 #42-#31 2.40-3.15mm	5/16	SF-20-5		
	3/8	SF-20-6		
	*1/2	SF-20-8		
	*3/4	SF-20-12		
	*1	SF-20-16		
	*1-3/8	SF-20-22		
.1250-.1935 1/8-#10 3.20-4.90mm	5/16	SF-20-5		
	3/8	SF-20-6		
	1/2	SF-20-8		
	5/8	SF-20-10		
	*3/4	SF-20-12		
	*1	SF-20-16		
.1935-.2280 #10-#1 4.90-5.80mm	*1-3/8	SF-20-22		
	1/4	SF-24-4	TW-2	
	5/16	SF-24-5		
	3/8	SF-24-6		
	1/2	SF-24-8		
	5/8	SF-24-10		
3/4	SF-24-12			
.2340-.2900 A-L 5.90-7.40mm	*1	SF-24-16		
	1/4	SF-28-4	TW-2	
	5/16	SF-28-5		
	3/8	SF-28-6		
	1/2	SF-28-8		
	5/8	SF-28-10		
3/4	SF-28-12			
		*1	SF-28-16	

Our Best Resource

Your Local Distributor

With more than 300 local distributors
it's easy to find one near you!

ISO 9001
CERTIFIED

Find a Distributor in the Customer Service Area
At CarrLane.com

* **INFO+:** Counterbored, leaving correct drill-bearing length and clearance (see page 532 for bearing length).

SLIP/FIXED RENEWABLE BUSHINGS



ID RANGE	OD	LENGTH	ANSI PART NO.	LOCK SCREW	
.1405-.1889 #28-3/16 3.60-4.75mm	1/2 .5000-.4998	5/16	SF-32-5	LS-1 RC-01 RK-01 RK-10	
		3/8	SF-32-6		
		1/2	SF-32-8		
		*3/4	SF-32-12		
		*1	SF-32-16		
		*1-3/8	SF-32-22		
		*1-1/2	SF-32-24		
		*1-3/4	SF-32-28		
		5/16	SF-32-5		
		3/8	SF-32-6		
.1890-.3438 #12-11/32 4.80-8.70mm	1/2 .5000-.4998	1/2	SF-32-8	LS-1 RC-01 RK-01 RK-10	
		3/4	SF-32-12		
		*1	SF-32-16		
		*1-3/8	SF-32-22		
		*1-1/2	SF-32-24		
		*1-3/4	SF-32-28		
		*2-1/8	SF-32-34		
		1/4	SF-36-4		TW-2
		5/16	SF-36-5		
		3/8	SF-36-6		
1/2	SF-36-8				
5/8	SF-36-10				
3/4	SF-36-12				
.2950-.3438 M-11/32 7.50-8.80mm	9/16 .5625-.5623	1	SF-36-16	TW-2	
		3/8	SF-40-6		TW-2
		1/2	SF-40-8		
		5/8	SF-40-10		
		3/4	SF-40-12		
		1	SF-40-16		
.3480-.4375 S-7/16 8.90-11.00mm	5/8 .6250-.6248	1-1/4	SF-40-20	TW-2	
		3/8	SF-48-6		LS-1 RC-01 RK-01 RK-11
		1/2	SF-48-8		
		3/4	SF-48-12		
		1	SF-48-16		
		1-3/8	SF-48-22		
		1-1/2	SF-48-24		
		1-3/4	SF-48-28		
		2-1/8	SF-48-34		
		*2-1/2	SF-48-40		
.5469-.6562 35/64-21/32 13.50-16.50mm	7/8 .8750-.8748	*3	SF-48-48	TW-7	
		1/2	SF-56-8		
		5/8	SF-56-10		
		3/4	SF-56-12		
		1	SF-56-16		
		1-1/4	SF-56-20		
.4688-.7812 15/32-25/32 12.00-19.50mm	1 1.0000-.9998	1-1/2	SF-56-24	LS-2 RC-02 RK-02 RK-12	
		1/2	SF-64-8		
		3/4	SF-64-12		
		1	SF-64-16		
		1-3/8	SF-64-22		
		1-1/2	SF-64-24		
		1-3/4	SF-64-28		
		2-1/8	SF-64-34		
		2-1/2	SF-64-40		
		3	SF-64-48		

* **INFO+**: Counterbored, leaving correct drill-bearing length and clearance (see page 532 for bearing length).

ID RANGE	OD	LENGTH	ANSI PART NO.	LOCK SCREW
.7188-1.0625 23/32-1-1/16 18.50-27.00mm	1-3/8 1.3750-1.3747	3/4	SF-88-12	LS-2 RC-02 RK-02 RK-12
		1	SF-88-16	
		1-3/8	SF-88-22	
		1-1/2	SF-88-24	
		1-3/4	SF-88-28	
		2-1/8	SF-88-34	
		2-1/2	SF-88-40	
		3	SF-88-48	
.9688-1.4062 31/32-1-13/32 25.00-35.00mm	1-3/4 1.7500-1.7497	3/4	SF-112-12	LS-3 RC-03 RK-03 RK-14
		1	SF-112-16	
		1-3/8	SF-112-22	
		1-1/2	SF-112-24	
		1-3/4	SF-112-28	
		2-1/8	SF-112-34	
		2-1/2	SF-112-40	
		3	SF-112-48	
1.3438-1.8750 1-11/32-1-7/8 35.00-47.00mm	2-1/4 2.2500-2.2496	3/4	SF-144-12	LS-3 RC-03 RK-03 RK-14
		1	SF-144-16	
		1-3/8	SF-144-22	
		1-1/2	SF-144-24	
		1-3/4	SF-144-28	
		2-1/8	SF-144-34	
		2-1/2	SF-144-40	
		3	SF-144-48	

For extended-range bushings (larger sizes) please see our web catalog.

Alignment Pins

Strength and Precision

- Wide assortment of quality ball lock and detent pins for precision alignment
- In steel or stainless steel
- A wide selection of other alignment pins are available

Ball Lock Pins (L, T, button or Ring Handles)

Detent Pins

See Pages 27-59

SLIP/FIXED RENEWABLE BUSHINGS – CARBIDE



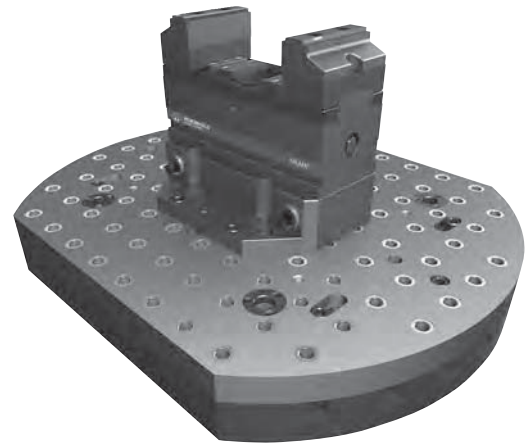
ID RANGE	OD	LENGTH	ANSI PART NO.	LOCK SCREW
.0520-.0934 #55-#43 1.35-2.35mm	5/16 .3125-.3123	5/16	SFC-20-5	LS-1 RC-01 RK-01 RK-10
		1/2	SFC-20-8	
		3/4	SFC-20-12	
		1	SFC-20-16	
.0935-.1562 #42-5/32 2.40-3.90mm		5/16	SFC-20-5	
		1/2	SFC-20-8	
		3/4	SFC-20-12	
		1	SFC-20-16	
.1406-.1889 9/64-3/16 3.60-4.75mm	1/2 .5000-.4998	5/16	SFC-32-5	LS-1 RC-01 RK-01 RK-10
		1/2	SFC-32-8	
		3/4	SFC-32-12	
		1	SFC-32-16	
.1890-.3438 #12-11/32 4.80-8.70mm		1-3/8	SFC-32-22	
		5/16	SFC-32-5	
		1/2	SFC-32-8	
		3/4	SFC-32-12	
.2812-.5312 9/32-17/32 7.20-13.00mm	3/4 .7500-.7498	1	SFC-32-16	LS-1 RC-01 RK-01 RK-10
		1-3/8	SFC-32-22	
		1/2	SFC-48-8	
		3/4	SFC-48-12	
.4688-.7812 15/32-25/32 12.00-19.50mm	1 1.0000-.9998	1	SFC-48-16	LS-2 RC-02 RK-02 RK-12
		1-3/8	SFC-48-22	
		1/2	SFC-64-8	
		3/4	SFC-64-12	
.7188-1.0312 23/32 - 1-1/32 18.50-27.00mm	1-3/8 1.3750-1.3747	1	SFC-64-16	LS-2 RC-02 RK-02 RK-12
		1-3/8	SFC-64-22	
		1-3/4	SFC-64-28	
		3/4	SFC-64-28	
.9688-1.4062 31/32 - 1-13/32 25.00-35.00mm	1-3/4 1.7500-1.7497	1	SFC-64-28	LS-3 RC-03 RK-03 RK-14
		1	SFC-88-12	
		1-3/8	SFC-88-16	
		1-3/8	SFC-88-22	
1.3438-1.7812 1-11/32 - 1-25/32 35.00-45.00mm	2-1/4 2.2500-2.2496	1-3/4	SFC-88-28	LS-3 RC-03 RK-03 RK-14
		2-1/8	SFC-88-34	
		2-1/2	SFC-88-40	
		3	SFC-88-40	
		1	SFC-112-16	LS-3 RC-03 RK-03 RK-14
		1-3/8	SFC-112-22	
		1-3/4	SFC-112-28	
		2-1/8	SFC-112-34	
		2-1/2	SFC-112-40	
		3	SFC-112-48	
		1	SFC-144-16	
		1-3/8	SFC-144-22	
		1-3/4	SFC-144-28	LS-3 RC-03 RK-03 RK-14
		2-1/8	SFC-144-34	
		2-1/2	SFC-144-40	
		3	SFC-144-48	

Note: Due to manufacturing requirements, head dimensions of some carbide bushings may differ slightly from ANSI standards. Most carbide bushings have steel heads.



5-Axis Workholding

Quick-Change With No Adaptor Plates, Blocks Or Pallets Necessary



- Quintus fixture plates available as blank, or with multi-function holes
- German-built, extremely accurate precision vises
- Allows unrestricted tool access for multiple-side machining
- Numerous jaw types and sizes available

See Pages 346-367

SLIP/FIXED RENEWABLE BUSHINGS – METRIC



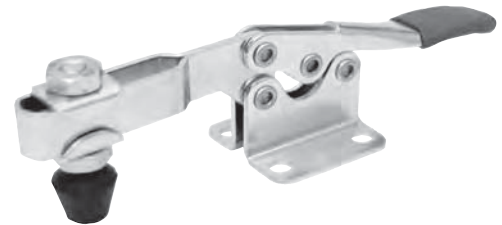
ID RANGE	OD	LENGTH	ANSI PART NO.	LOCK SCREW
.35-1.00mm	8mm 8.000-7.994mm	*10mm	SFM-8-10	LSM-1 LSM-2 RCM-1 RCM-2
1.01-1.80mm		*16mm	SFM-8-16	
1.81-4.00mm		10mm	SFM-8-10	
		16mm	SFM-8-16	
4.01-6.00mm	10mm 10.000-9.994mm	10mm	SFM-8-10	LSM-3 LSM-4 RCM-3 RCM-4
6.01-8.00mm		12mm	SFM-10-12	
		20mm	SFM-10-20	
8.01-10.00mm	12mm 12.000-11.992mm	25mm	SFM-10-25	LSM-3 LSM-4 RCM-3 RCM-4
		12mm	SFM-12-12	
		20mm	SFM-12-20	
10.01-12.00mm	15mm 15.000-14.992mm	25mm	SFM-12-25	LSM-3 LSM-4 RCM-3 RCM-4
		16mm	SFM-15-16	
		28mm	SFM-15-28	
12.01-15.00mm	18mm 18.000-17.992mm	36mm	SFM-15-36	LSM-5 LSM-6 RCM-5 RCM-6
		16mm	SFM-18-16	
		28mm	SFM-18-28	
15.01-18.00mm	22mm 22.000-21.991mm	36mm	SFM-18-36	LSM-5 LSM-6 RCM-5 RCM-6
		20mm	SFM-22-20	
		36mm	SFM-22-36	
18.01-22.00mm	26mm 26.000-25.991mm	45mm	SFM-22-45	LSM-5 LSM-6 RCM-5 RCM-6
		20mm	SFM-26-20	
		36mm	SFM-26-36	
22.01-26.00mm	30mm 30.000-29.991mm	45mm	SFM-26-45	LSM-5 LSM-6 RCM-5 RCM-6
		25mm	SFM-30-25	
		45mm	SFM-30-45	
26.01-30.00mm	35mm 35.000-34.989mm	56mm	SFM-30-56	LSM-7 LSM-8 RCM-7 RCM-8
		25mm	SFM-35-25	
		45mm	SFM-35-45	
30.01-35.00mm	42mm 42.000-41.989mm	56mm	SFM-35-56	LSM-7 LSM-8 RCM-7 RCM-8
		30mm	SFM-42-30	
		56mm	SFM-42-56	
35.01-42.00mm	48mm 48.000-47.989mm	67mm	SFM-42-67	LSM-7 LSM-8 RCM-7 RCM-8
		30mm	SFM-48-30	
		56mm	SFM-48-56	
42.01-48.00mm	55mm 55.000-54.987mm	67mm	SFM-48-67	LSM-7 LSM-8 RCM-7 RCM-8
		30mm	SFM-55-30	
		56mm	SFM-55-56	
48.01-55.00mm	62mm 62.000-61.987mm	67mm	SFM-55-67	LSM-7 LSM-8 RCM-7 RCM-8
		35mm	SFM-62-35	
		67mm	SFM-62-67	
55.01-62.00mm	70mm 70.000-69.987mm	78mm	SFM-62-78	LSM-7 LSM-8 RCM-7 RCM-8
		40mm	SFM-70-40	
62.01-70.00mm	78mm 78.000-77.987mm	78mm	SFM-70-78	LSM-7 LSM-8 RCM-7 RCM-8
		105mm	SFM-70-105	
70.01-78.00mm	85mm 85.000-84.985mm	40mm	SFM-78-40	LSM-7 LSM-8 RCM-7 RCM-8
		78mm	SFM-78-78	
		105mm	SFM-78-105	
78.01-85.00mm	95mm 95.000-94.985mm	45mm	SFM-85-45	LSM-7 LSM-8 RCM-7 RCM-8
		89mm	SFM-85-89	
		112mm	SFM-85-112	
85.01-95.00mm	105mm 105.000-104.985mm	45mm	SFM-95-45	LSM-7 LSM-8 RCM-7 RCM-8
		89mm	SFM-95-89	
		112mm	SFM-95-112	

ID RANGE (G6)	OD (h5)	LENGTH	ANSI PART NO.	LOCK SCREW
48.01-55.00mm	70mm 70.000-69.987mm	35mm	SFM-70-35	LSM-7 LSM-8 RCM-7 RCM-8
		67mm	SFM-70-67	
		78mm	SFM-70-78	
55.01-62.00mm	78mm 78.000-77.987mm	40mm	SFM-78-40	LSM-7 LSM-8 RCM-7 RCM-8
		78mm	SFM-78-78	
		105mm	SFM-78-105	
62.01-70.00mm	85mm 85.000-84.985mm	40mm	SFM-85-40	LSM-7 LSM-8 RCM-7 RCM-8
		78mm	SFM-85-78	
		105mm	SFM-85-105	
70.01-78.00mm	95mm 95.000-94.985mm	45mm	SFM-95-45	LSM-7 LSM-8 RCM-7 RCM-8
		89mm	SFM-95-89	
		112mm	SFM-95-112	
78.01-85.00mm	105mm 105.000-104.985mm	45mm	SFM-105-45	LSM-7 LSM-8 RCM-7 RCM-8
		89mm	SFM-105-89	
		112mm	SFM-105-112	

* Small metric drill sizes through .80mm are counterbored 1.00mm diameter, with 3mm drill-bearing length.

Toggle Clamps

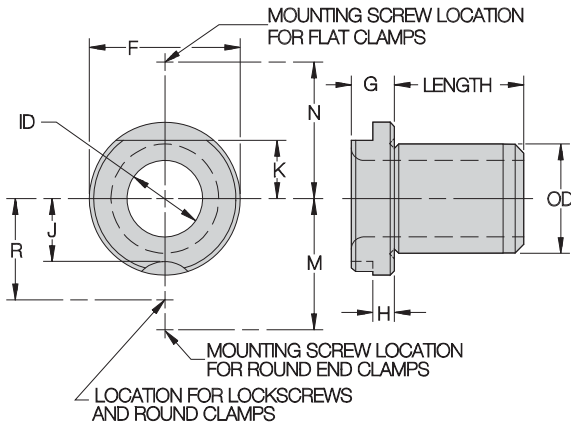
High Quality, Durable
And Made in the USA!



- A fast, easy workholding option
- Made of durable high grade steel
- Many varieties available
- Comfortable handle grip

See Pages 441-524

FLAT MILLED RENEWABLE BUSHINGS



STANDARD ID TOLERANCES:

From #80 to 1/4"	+0.001/+0.004	From .35 to 3mm	+0.002/+0.008mm
Over 1/4 to 3/4"	+0.001/+0.005	Over 3 to 6mm	+0.004/+0.012mm
Over 3/4 to 1-1/2"	+0.002/+0.006	Over 6 to 10mm	+0.005/+0.014mm
Over 1-1/2 to 2-3/4"	+0.003/+0.007	Over 10 to 18mm	+0.006/+0.017mm
		Over 18 to 30mm	+0.007/+0.020mm
		Over 30 to 50mm	+0.009/+0.025mm
			(G6 tolerance)

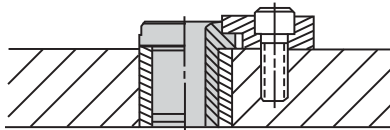
REAMER ID TOLERANCES:

From #60 to 1/4"	+0.005/+0.008	From 1 to 3mm	+0.006/+0.012mm
Over 1/4 to 1"	+0.006/+0.010	Over 3 to 6mm	+0.010/+0.018mm
Over 1" to 1-1/2"	+0.008/+0.012	Over 6 to 10mm	+0.013/+0.022mm
		Over 10 to 18mm	+0.016/+0.027mm
		Over 18 to 30mm	+0.020/+0.033mm
			(F6 tolerance)

BODY OD	F	G	H	J	K	M	N	R	FLAT CLAMP	LOCK SCREW
5/16	35/64			11/64	11/64	5/8	11/16	1/2	FC-01 FC-10	LS-1
1/2	51/64	1/4	1/8	19/64	17/64	3/4	25/32	5/8		
3/4	1-3/64			27/64	25/64	7/8	57/64	3/4		
1	1-27/64	3/8	3/16	19/32	1/2	1-7/64	1-9/64	59/64	FC-02 FC-12	LS-2
1-3/8	1-51/64			25/32	11/16	1-19/54	1-21/64	1-7/64	FC-03 FC-14 FC-15	LS-3
1-3/4	2-19/64	3/8	3/16	1	7/8	1-41/64	1-33/64	1-25/64		
2-1/4	2-51/64			1-1/4	1-1/8	1-57/64	1-49/64	1-41/64		

APPLICATIONS:

Replaceable bushing used for extra resistance to rotational forces under harsh conditions. This bushing, generally used with a liner, has a milled locking flat to allow fastening securely with a flat clamp. FM bushings also have a standard recess on the other side to allow using a lock screw instead.



ORDERING EXAMPLES:

FM-20-16-1250
FM-20-16-1772

Standard inch Bushing, inch ID
Standard inch Bushing, mm ID
(.1772 = 4.50mm)

FM-20-16-1250 REAMER
FM-20-16-1250 NCB

Reamer Tolerance on ID
No counterbore on long bushings
marked with * (no counterbore is
standard on all other bushings)

FMC-20-16-1250

Carbide Bushing

Standard prices apply only to bushings with a standard-drill-size ID within the stated ID range. See catalog back cover for standard drill sizes and their decimal equivalents. For prices on non-standard ID sizes, including reamer-tolerance and tap-guide bushings, please contact factory.

ID RANGE	OD	LENGTH	ANSI PART NO.	CLAMP
.0135-.0291 #80-#70 .35-.70mm	5/16 .3125-.3123	*1/4	FM-20-4	FC-01 FC-10 RC-01 RK-01 RK-10
		*5/16	FM-20-5	
		*3/8	FM-20-6	
		*1/2	FM-20-8	
		*3/4	FM-20-12	
.0292-.0519 #69-3/64 .75-1.30mm		*5/16	FM-20-5	
		*3/8	FM-20-6	
		*1/2	FM-20-8	
		*3/4	FM-20-12	
		.0520-.0634 #55-1/16 1.35-1.60mm	*5/16	
*3/8			FM-20-6	
*1/2			FM-20-8	
*3/4			FM-20-12	
.0635-.0934 #52-#43 1.65-2.35mm			5/16	
		*3/8	FM-20-6	
	*1/2	FM-20-8		
	*3/4	FM-20-12		
	.0935-.1249 #42-#31 2.40-3.15mm	*1	FM-20-16	
5/16		FM-20-5		
3/8		FM-20-6		
*1/2		FM-20-8		
*3/4		FM-20-12		
.1250-.1935 1/8-#10 3.20-4.90mm	*1	FM-20-16		
	*1-3/8	FM-20-22		
	5/16	FM-20-5		
	3/8	FM-20-6		
	1/2	FM-20-8		
		5/8	FM-20-10	
		*3/4	FM-20-12	
		*1	FM-20-16	
		*1-3/8	FM-20-22	

* **INFO+:** Counterbored, leaving correct drill-bearing length and clearance (see page 532 for bearing length).

FLAT MILLED RENEWABLE BUSHINGS



ID RANGE	OD	LENGTH	ANSI PART NO.	CLAMP	
.1405-.1889 #28-3/16 3.60-4.75mm	1/2 .5000-.4998	5/16	FM-32-5	FC-01 FC-10 LS-1 RC-01 RK-01 RK-10	
		3/8	FM-32-6		
		1/2	FM-32-8		
		*3/4	FM-32-12		
		*1	FM-32-16		
		*1-3/8	FM-32-22		
		*1-1/2	FM-32-24		
		*1-3/4	FM-32-28		
		5/16	FM-32-5		
		3/8	FM-32-6		
.1890-.3438 #12-11/32 4.80-8.70mm	1/2 .5000-.4998	1/2	FM-32-8	FC-01 FC-10 LS-1 RC-01 RK-01 RK-10	
		3/4	FM-32-12		
		*1	FM-32-16		
		*1-3/8	FM-32-22		
		*1-1/2	FM-32-24		
		*1-3/4	FM-32-28		
		*2-1/8	FM-32-34		
		3/8	FM-48-6		FC-01 FC-11 LS-1 RC-01 RK-01 RK-11
		1/2	FM-48-8		
		3/4	FM-48-12		
1	FM-48-16				
1-3/8	FM-48-22				
1-1/2	FM-48-24				
1-3/4	FM-48-28				
2-1/8	FM-48-34				
*2-1/2	FM-48-40				
*3	FM-48-48				
.4688-.7812 15/32-25/32 12.00-19.50mm	1 1.0000-.9998	1/2	FM-64-8	FC-02 FC-12 LS-2 RC-02 RK-02 RK-12	
		3/4	FM-64-12		
		1	FM-64-16		
		1-3/8	FM-64-22		
		1-1/2	FM-64-24		
		1-3/4	FM-64-28		
		2-1/8	FM-64-34		
		2-1/2	FM-64-40		
.7188-1.0625 23/32 - 1-1/16 18.50-27.00mm	1-3/8 1.3750-1.3747	3/4	FM-88-12	FC-02 FC-12 LS-2 RC-02 RK-02 RK-12	
		1	FM-88-16		
		1-3/8	FM-88-22		
		1-1/2	FM-88-24		
		1-3/4	FM-88-28		
		2-1/8	FM-88-34		
		2-1/2	FM-88-40		
		3	FM-88-48		

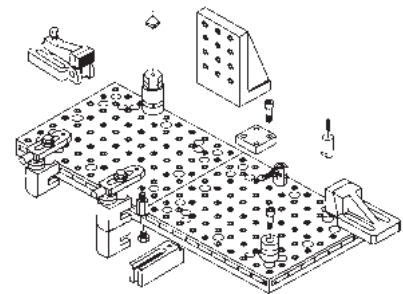
* **INFO+:** Counterbored, leaving correct drill-bearing length and clearance (see page 532 for bearing length).

ID RANGE	OD	LENGTH	ANSI PART NO.	CLAMP
.9688-1.4062 31/32 - 1-13/32 25.00-35.00mm	1-3/4 1.7500-1.7497	3/4	FM-112-12	FC-03 FC-14 FC-15 LS-3 RC-03 RK-03 RK-14
		1	FM-112-16	
		1-3/8	FM-112-22	
		1-1/2	FM-112-24	
		1-3/4	FM-112-28	
		2-1/8	FM-112-34	
		2-1/2	FM-112-40	
		3	FM-112-48	
1.3438-1.8750 1-11/32 - 1-7/8 35.00-47.00mm	2-1/4 2.2500-2.2496	3/4	FM-144-12	FC-03 FC-14 FC-15 LS-3 RC-03 RK-03 RK-14
		1	FM-144-16	
		1-3/8	FM-144-22	
		1-1/2	FM-144-24	
		1-3/4	FM-144-28	
		2-1/8	FM-144-34	
		2-1/2	FM-144-40	
		3	FM-144-48	

For extended-range bushings (larger sizes) please see our web catalog.

Modular Fixturing

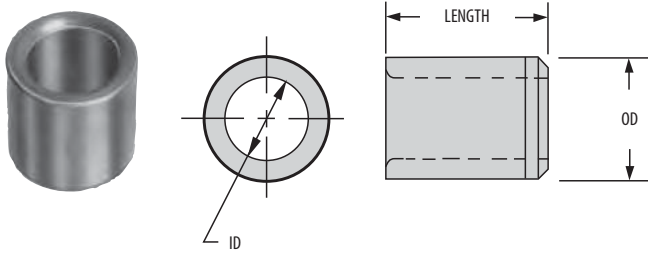
An Ideal Answer To Many Workholding Problems



- Great for temporary fixturing: one-time jobs, short or prototype production runs, trial fixturing or while permanent fixtures are built or repaired
- Available in mini, standard and heavy sizes
- Wide range of tooling plates and blocks, finish ground, with multipurpose positioning holes
- Order as components, or in handy starter sets

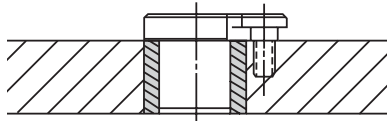
See Pages 391-440

LINER BUSHINGS



APPLICATIONS:

Liners are permanent bushings used to hold renewable drill bushings. The liner's ID has a precise sliding fit with the renewable bushing's OD. The hardened liner accurately locates the renewable bushing and protects the jig plate from wear caused by frequent bushing replacement. Note: Metric liner bushings are the same as metric press-fit bushings.



ORDERING EXAMPLES:

L-32-16 Standard inch liner bushing
 L-32-16U Unground OD
 L-40-16-24 Standard inch liner bushing with a choice of ID in that OD size
 PM-18-25-12.00 Standard metric liner bushing (same as metric press-fit type)

STANDARD LINER ID TOLERANCES:

3/16 to 3/8"	+0.001/+0.004	8 to 10mm	+0.005/+0.014mm
7/16 to 5/8"	+0.002/+0.005	12 to 18mm	+0.006/+0.017mm
3/4"	+0.003/+0.006	22 to 30mm	+0.007/+0.020mm
7/8 to 1"	+0.004/+0.007	35 to 48mm	+0.009/+0.025mm
1-3/8"	+0.006/+0.010	55 to 78mm	+0.010/+0.029mm
1-3/4"	+0.008/+0.012	85 to 105mm	+0.012/+0.034mm
2-1/4"	+0.010/+0.015		(G6 tolerance)

ID	OD	LENGTH	ANSI PART NO.
3/16	5/16 .3141-.3138 (.327-.322 UNG)	1/4	L-20-4
		5/16	L-20-5
		3/8	L-20-6
		1/2	L-20-8
		5/8	L-20-10
		3/4	L-20-12
1/4	7/16 .4392-.4389 (.453-.448 UNG)	1/4	L-28-4
		5/16	L-28-5
		3/8	L-28-6
		1/2	L-28-8
		5/8	L-28-10
		3/4	L-28-12

ID	OD	LENGTH	ANSI PART NO.	
5/16	1/2 .5017-.5014 (.520-.515 UNG)	1/4	L-32-4	
		5/16	L-32-5	
		3/8	L-32-6	
		1/2	L-32-8	
		5/8	L-32-10	
		3/4	L-32-12	
	9/16 .5642-.5639 (.582-.577 UNG)	1	L-32-16	
		1-3/8	L-32-22	
		1/4	L-36-4	
		5/16	L-36-5	
		3/8	L-36-6	
		1/2	L-36-8	
3/8	5/8 .6267-.6264 (.645-.640 UNG)	5/8	L-36-10	
		3/4	L-36-12	
		1	L-36-16	
		1/4	L-40-4-24	
		5/16	L-40-5-24	
		3/8	L-40-6-24	
	7/16	1/2	1/2	L-40-8-24
			5/8	L-40-10-24
			3/4	L-40-12-24
			1	L-40-16-24
			1/4	L-40-4-28
			5/16	L-40-5-28
1/2	3/4 .7518-.7515 (.770-.765 UNG)	3/8	L-40-6-28	
		1/2	L-40-8-28	
		5/8	L-40-10-28	
		3/4	L-40-12-28	
		1	L-40-16-28	
		5/16	L-48-5	
	9/16	7/8 .8768-.8765 (.895-.890 UNG)	3/8	L-48-6
			1/2	L-48-8
			3/4	L-48-12
			1	L-48-16
			1-3/8	L-48-22
			1-1/2	L-48-24
5/8	1-3/4	1-3/4	L-48-28	
		2-1/8	L-48-34	
		5/16	L-56-5-36	
		3/8	L-56-6-36	
		1/2	L-56-8-36	
		5/8	L-56-10-36	
5/8	1	3/4	L-56-12-36	
		1	L-56-16-36	
		1-1/4	L-56-20-36	
		5/16	L-56-5-40	
		3/8	L-56-6-40	
		1/2	L-56-8-40	
5/8	1-1/4	5/8	L-56-10-40	
		3/4	L-56-12-40	
		1	L-56-16-40	
		1-1/4	L-56-20-40	

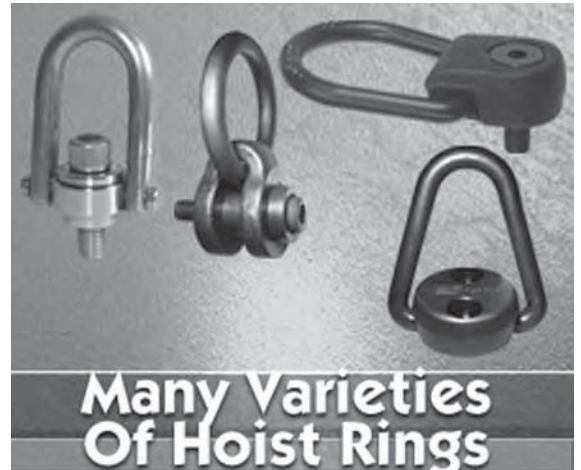


ID	OD	LENGTH	ANSI PART NO.
3/4	1 1.0018-1.0015 (1.020-1.015 UNG)	1/2	L-64-8
		3/4	L-64-12
		1	L-64-16
		1-3/8	L-64-22
		1-1/2	L-64-24
		1-3/4	L-64-28
		2-1/8	L-64-34
		2-1/2	L-64-40
7/8	1-1/4 1.2520-1.2517 (1.270-1.265 UNG)	1/2	L-80-8
		5/8	L-80-10
		3/4	L-80-12
		1	L-80-16
		1-1/4	L-80-20
		1-1/2	L-80-24
1	1-3/8 1.3772-1.3768 (1.395-1.390 UNG)	1/2	L-88-8
		3/4	L-88-12
		1	L-88-16
		1-3/8	L-88-22
		1-1/2	L-88-24
		1-3/4	L-88-28
		2-1/8	L-88-34
		2-1/2	L-88-40
1-3/8	1-3/4 1.7523-1.7519 (1.770-1.765 UNG)	3/4	L-112-12
		1	L-112-16
		1-3/8	L-112-22
		1-1/2	L-112-24
		1-3/4	L-112-28
		2-1/8	L-112-34
		2-1/2	L-112-40
		3	L-112-48
1-3/4	2-1/4 2.2525-2.2521 (2.270-2.265 UNG)	3/4	L-144-12
		1	L-144-16
		1-3/8	L-144-22
		1-1/2	L-144-24
		1-3/4	L-144-28
		2-1/8	L-144-34
		2-1/2	L-144-40
2-1/4	2-1/4 2.2525-2.2521 (2.270-2.265 UNG)	3	L-144-48
		3/4	L-176-12
		1	L-176-16
		1-3/8	L-176-22
		1-1/2	L-176-24
		1-3/4	L-176-28
		2-1/8	L-176-34
		2-1/2	L-176-40
		3	L-176-48

For extended-range bushings (larger sizes) please see our web catalog.

Hoist Rings

**Trusted to Move
Your Most Important
Materials!**



**Many Varieties
Of Hoist Rings**

- Swivel Hoist Rings
- Safety Hoist Rings
- Pivoting Hoist Rings
- Lifting Eyes
- Side-Pull Hoist Rings

See Pages 65-82

LINER BUSHINGS – METRIC



ID (G6)	OD (s6)	LENGTH	ANSI PART NO.
8mm	12mm 12.039-12.028mm	10mm	PM-12-10-8.00
		16mm	PM-12-16-8.00
10mm	15mm 15.039-15.028mm	12mm	PM-15-12-10.00
		20mm	PM-15-20-10.00
		25mm	PM-15-25-10.00
12mm	18mm 18.039-18.028mm	12mm	PM-18-12-12.00
		20mm	PM-18-20-12.00
		25mm	PM-18-25-12.00
15mm	22mm 22.048-22.035mm	16mm	PM-22-16-15.00
		28mm	PM-22-28-15.00
		36mm	PM-22-36-15.00
18mm	26mm 26.048-26.035mm	16mm	PM-26-16-18.00
		28mm	PM-26-28-18.00
		36mm	PM-26-36-18.00
22mm	30mm 30.048-30.035mm	20mm	PM-30-20-22.00
		36mm	PM-30-36-22.00
		45mm	PM-30-45-22.00
26mm	35mm 35.059-35.043mm	20mm	PM-35-20-26.00
		36mm	PM-35-36-26.00
		45mm	PM-35-45-26.00
30mm	42mm 42.059-42.043mm	25mm	PM-42-25-30.00
		45mm	PM-42-45-30.00
		56mm	PM-42-56-30.00
35mm	48mm 48.059-48.043mm	25mm	PM-48-25-35.00
		45mm	PM-48-45-35.00
		56mm	PM-48-56-35.00
42mm	55mm 55.072-55.053mm	30mm	PM-55-30-42.00
		56mm	PM-55-56-42.00
		67mm	PM-55-67-42.00
48mm	62mm 62.072-62.053mm	30mm	PM-62-30-48.00
		56mm	PM-62-56-48.00
		67mm	PM-62-67-48.00
55mm	70mm 70.078-70.059mm	30mm	PM-70-30-55.00
		56mm	PM-70-56-55.00
		67mm	PM-70-67-55.00
62mm	78mm 78.078-78.059mm	35mm	PM-78-35-62.00
		67mm	PM-78-67-62.00
		78mm	PM-78-78-62.00

ID (G6)	OD (s6)	LENGTH	ANSI PART NO.
70mm	85mm 85.093-85.071mm	35mm	PM-85-35-70.00
		67mm	PM-85-67-70.00
		78mm	PM-85-78-70.00
78mm	95mm 95.093-95.071mm	40mm	PM-95-40-78.00
		78mm	PM-95-78-78.00
		105mm	PM-95-105-78.00
85mm	105mm 105.101-105.079mm	40mm	PM-105-40-85.00
		78mm	PM-105-78-85.00
		105mm	PM-105-105-85.00
95mm	115mm 115.101-115.079mm	45mm	PM-115-45-95.00
		89mm	PM-115-89-95.00
		112mm	PM-115-112-95.00
105mm	125mm 125.117-125.092mm	45mm	PM-125-45-105.00
		89mm	PM-125-89-105.00
		112mm	PM-125-112-105.00

Note: Metric liner bushings are the same as metric press-fit bushings.

TINY VISE Edge Clamps

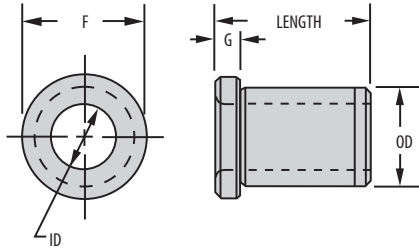
Strong Clamping Action For Fixturing Small Parts



- Patented Tiny Vise® edge clamps grip the side of the workpiece to keep the top clear for machining
- Clamping force is applied by positive screw action with the easy turn of a hex wrench
- Only Tiny Vise® Edge Clamps truly exert down thrust force on the workpiece, to prevent it from lifting
- Four types in a wide range of sizes from #8-32 thread to 1"-8 thread with 2,500 lbs. clamping force
- Patented, more durable than similar clamps

See Pages 257-266

HEAD LINER BUSHINGS



INCH

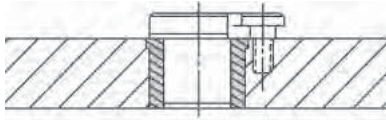
BODY OD	F DIA	G
1/2	5/8	3/32
3/4	7/8	3/32
1	1-1/8	1/8
1-3/8	1-1/2	1/8
1-3/4	1-7/8	3/16
2-1/4	2-3/8	3/16
2-3/4	2-7/8	3/16

METRIC

BODY OD	F DIA	G
12mm	15mm	3mm
15mm	18mm	3mm
18mm	22mm	4mm
22mm	26mm	4mm
26mm	30mm	4mm
30mm	34mm	5mm
35mm	39mm	5mm
42mm	46mm	5mm
48mm	52mm	5mm
55mm	59mm	5mm
62mm	66mm	6mm
70mm	74mm	6mm
78mm	82mm	6mm
85mm	90mm	6mm
95mm	100mm	6mm
105mm	110mm	6mm
115mm	120mm	6mm
125mm	130mm	6mm

APPLICATIONS:

Similar to an L bushing, but with a head to resist heavy axial loads. Head liners are permanent bushings used to hold renewable drill bushings. The head liner's ID has a precise sliding fit with the renewable bushing's OD. The hardened head liner accurately locates the renewable bushing and protects the jig plate from wear caused by frequent bushing replacement. Note: The "length" listed for a head liner refers to its overall length, not its length under the head. Metric head-liner bushings are the same as metric head-press-fit bushings.



ORDERING EXAMPLES:

HL-32-16 Standard inch liner bushing
 HL-32-16U Unground OD
 HM-18-25-12.00 Standard metric liner bushing (same as metric press-fit type)

STANDARD LINER ID TOLERANCES:

5/16"	+0.001/+0.004	8 to 10mm	+0.005/+0.014mm
1/2"	+0.002/+0.005	12 to 18mm	+0.006/+0.017mm
3/4"	+0.003/+0.006	22 to 30mm	+0.007/+0.020mm
1"	+0.004/+0.007	35 to 48mm	+0.009/+0.025mm
1-3/8"	+0.006/+0.010	55 to 78mm	+0.010/+0.029mm
1-3/4"	+0.008/+0.012	85 to 105mm	+0.012/+0.034mm
2-1/4"	+0.010/+0.015		(G6 tolerance)

ID RANGE	OD	LENGTH	ANSI PART NO.
5/16	1/2 .5017-.5014 (.520-.515 UNG)	5/16	HL-32-5
		3/8	HL-32-6
		1/2	HL-32-8
		3/4	HL-32-12
		1	HL-32-16
		1-3/8	HL-32-22
1/2	3/4 .7518-.7515 (.770-.765 UNG)	5/16	HL-48-5
		3/8	HL-48-6
		1/2	HL-48-8
		3/4	HL-48-12
		1	HL-48-16
		1-3/8	HL-48-22
3/4	1 1.0018-1.0015 (1.020-1.015 UNG)	1-1/2	HL-48-24
		1-3/4	HL-48-28
		2-1/8	HL-48-34
		1/2	HL-64-8
		3/4	HL-64-12
		1	HL-64-16
1	1-3/8 1.3772-1.3768 (1.395-1.390 UNG)	1-3/8	HL-64-22
		1-1/2	HL-64-24
		1-3/4	HL-64-28
		2-1/8	HL-64-34
		2-1/2	HL-64-40
		3	HL-64-48
1-3/8	1-3/4 1.7523-1.7519 (1.770-1.765 UNG)	1/2	HL-88-8
		3/4	HL-88-12
		1	HL-88-16
		1-3/8	HL-88-22
		1-1/2	HL-88-24
		1-3/4	HL-88-28
1-3/4	2-1/4 2.2525-2.2521 (2.270-2.265 UNG)	2-1/8	HL-88-34
		2-1/2	HL-88-40
		3	HL-88-48
		3/4	HL-112-12
		1	HL-112-16
		1-3/8	HL-112-22
2-1/4	2-3/4 2.7526-2.7522 (2.770-2.765 UNG)	1-1/2	HL-112-24
		1-3/4	HL-112-28
		2-1/8	HL-112-34
		2-1/2	HL-112-40
		3	HL-112-48
		3/4	HL-144-12
2-1/4	2-3/4 2.7526-2.7522 (2.770-2.765 UNG)	1	HL-144-16
		1-3/8	HL-144-22
		1-1/2	HL-144-24
		1-3/4	HL-144-28
		2-1/8	HL-144-34
		2-1/2	HL-144-40
2-1/4	2-3/4 2.7526-2.7522 (2.770-2.765 UNG)	3	HL-144-48
		3/4	HL-176-12
		1	HL-176-16
		1-3/8	HL-176-22
		1-1/2	HL-176-24
		1-3/4	HL-176-28
2-1/4	2-3/4 2.7526-2.7522 (2.770-2.765 UNG)	2-1/8	HL-176-34
		2-1/2	HL-176-40
2-1/4	2-3/4 2.7526-2.7522 (2.770-2.765 UNG)	3	HL-176-48

HEAD LINER BUSHINGS – METRIC



ID (G6)	OD (s6)	LENGTH	ANSI PART NO.
8mm	12mm 12.039-12.028mm	10mm	HM-12-10-8.00
		16mm	HM-12-16-8.00
10mm	15mm 15.039-15.028mm	12mm	HM-15-12-10.00
		20mm	HM-15-20-10.00
		25mm	HM-15-25-10.00
12mm	18mm 18.039-18.028mm	12mm	HM-18-12-12.00
		20mm	HM-18-20-12.00
		25mm	HM-18-25-12.00
15mm	22mm 22.048-22.035mm	16mm	HM-22-16-15.00
		28mm	HM-22-28-15.00
		36mm	HM-22-36-15.00
18mm	26mm 26.048-26.035mm	16mm	HM-26-16-18.00
		28mm	HM-26-28-18.00
		36mm	HM-26-36-18.00
22mm	30mm 30.048-30.035mm	20mm	HM-30-20-22.00
		36mm	HM-30-36-22.00
		45mm	HM-30-45-22.00
26mm	35mm 35.059-35.043mm	20mm	HM-35-20-26.00
		36mm	HM-35-36-26.00
		45mm	HM-35-45-26.00
30mm	42mm 42.059-42.043mm	25mm	HM-42-25-30.00
		45mm	HM-42-45-30.00
		56mm	HM-42-56-30.00
35mm	48mm 48.059-48.043mm	25mm	HM-48-25-35.00
		45mm	HM-48-45-35.00
		56mm	HM-48-56-35.00
42mm	55mm 55.072-55.053mm	30mm	HM-55-30-42.00
		56mm	HM-55-56-42.00
		67mm	HM-55-67-42.00
48mm	62mm 62.072-62.053mm	30mm	HM-62-30-48.00
		56mm	HM-62-56-48.00
		67mm	HM-62-67-48.00
55mm	70mm 70.078-70.059mm	30mm	HM-70-30-55.00
		56mm	HM-70-56-55.00
		67mm	HM-70-67-55.00
62mm	78mm 78.078-78.059mm	35mm	HM-78-35-62.00
		67mm	HM-78-67-62.00
		78mm	HM-78-78-62.00

ID (G6)	OD (s6)	LENGTH	ANSI PART NO.
70mm	85mm 85.093-85.071mm	35mm	HM-85-35-70.00
		67mm	HM-85-67-70.00
		78mm	HM-85-78-70.00
78mm	95mm 95.093-95.071mm	40mm	HM-95-40-78.00
		78mm	HM-95-78-78.00
		105mm	HM-95-105-78.00
85mm	105mm 105.101-105.079mm	40mm	HM-105-40-85.00
		78mm	HM-105-78-85.00
		105mm	HM-105-105-85.00
95mm	115mm 115.101-115.079mm	45mm	HM-115-45-95.00
		89mm	HM-115-89-95.00
		112mm	HM-115-112-95.00
105mm	125mm 125.117-125.092mm	45mm	HM-125-45-105.00
		89mm	HM-125-89-105.00
		112mm	HM-125-112-105.00

Note: Metric head-liner bushings are the same as metric head-press-fit bushings.

Alignment Pins

Strength and Precision



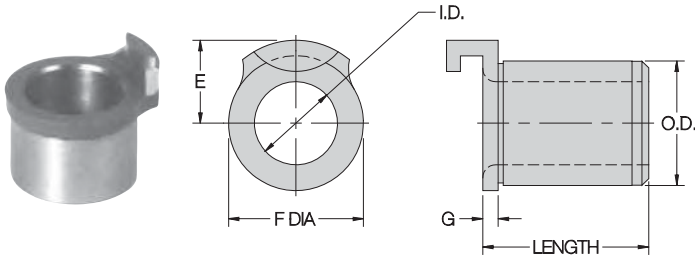
Ball Lock Pins
(L, T, button or Ring
Handles)

Detent Pins

- Wide assortment of quality ball lock and detent pins for precision alignment
- In steel or stainless steel
- A wide selection of other alignment pins are available

See Pages 27-59

UN-A-LOK™ LINER BUSHINGS



INCH

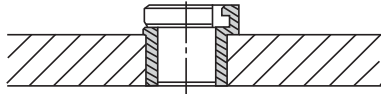
BODY OD	E	F DIA	G
5/16	1/4	.365	3/32
1/2	3/8	9/16	3/32
3/4	1/2	13/16	3/32
1	21/32	1-1/16	1/8
1-3/8	7/8	1-7/16	1/8

METRIC

BODY OD	E	F DIA	G
12mm	9.5mm	15mm	3mm
15mm	11mm	18mm	3mm
18mm	13mm	22mm	4mm
22mm	15.5mm	26mm	4mm
26mm	17.5mm	30mm	4mm

APPLICATIONS:

Similar to an HL head liner, but incorporating a special locking tab that eliminates the need for a lockscrew. Un-A-Lok™ liners are permanent bushings used to hold SF renewable drill bushings (on the "slip" side only, not the "fixed" side). Although slightly more expensive than a head liner plus a lockscrew, installation time is dramatically reduced. Patent no. 3,015,242 and 3,099,079.



ORDERING EXAMPLES:

UL-20-5 Standard inch liner bushing
 UL-20-5U Unground OD
 ULM-12-10 Standard metric liner bushing

STANDARD LINER ID TOLERANCES:

3/16 to 5/16"	+0.001/+0.004	8 to 10mm	+0.005/+0.014mm
1/2"	+0.002/+0.005	12 to 18mm	+0.006/+0.017mm
3/4"	+0.003/+0.006		(G6 tolerance)
1"	+0.004/+0.007		

INCH

ID	OD	LENGTH	ANSI PART NO.
3/16	5/16 .3141-.3138 (.327-.322 UNG)	5/16	UL-20-5
		3/8	UL-20-6
		1/2	UL-20-8
		3/4	UL-20-12
5/16	1/2 .5017-.5014 (.520-.515 UNG)	3/8	UL-32-6
		1/2	UL-32-8
		3/4	UL-32-12
1/2	3/4 .7518-.7515 (.770-.765 UNG)	1/2	UL-48-8
		3/4	UL-48-12
		1	UL-48-16
3/4	1 1.0018-1.0015 (1.020-1.015 UNG)	1/2	UL-64-8
		3/4	UL-64-12
		1	UL-64-16
1	1-3/8 1.3772-1.3768 (1.395-1.390 UNG)	1/2	UL-88-8
		3/4	UL-88-12
		1	UL-88-16
		1-3/8	UL-88-22

METRIC

ID (G6)	OD (s6)	LENGTH	PART NO.
8mm	12mm 12.039-12.028mm	10mm	ULM-12-10-8.00
		16mm	ULM-12-16-8.00
10mm	15mm 15.039-15.028mm	12mm	ULM-15-12-10.00
		20mm	ULM-15-20-10.00
		25mm	ULM-15-25-10.00
12mm	18mm 18.039-18.028mm	12mm	ULM-18-12-12.00
		20mm	ULM-18-20-12.00
		25mm	ULM-18-25-12.00
15mm	22mm 22.048-22.035mm	16mm	ULM-22-16-15.00
		28mm	ULM-22-28-15.00
		36mm	ULM-22-36-15.00
18mm	26mm 26.048-26.035mm	16mm	ULM-26-16-18.00
		28mm	ULM-26-28-18.00
		36mm	ULM-26-36-18.00

UN-A-LOK™ INSTALLATION TOOL

MILLED SLOT FOR LOCK TAB CLEARANCE

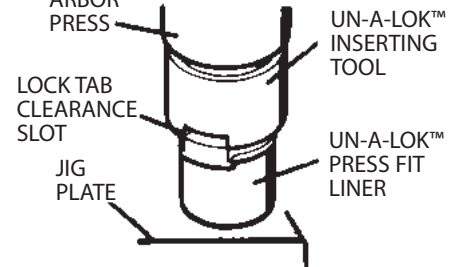


STEPPED SHOULDERS MATE WITH UN-A-LOK™ HEAD

PILOT END WITH STEPPED OD'S TO FIT ALL UN-A-LOK™ ID'S

CL-1-ULT

RAM OF ARBOR PRESS

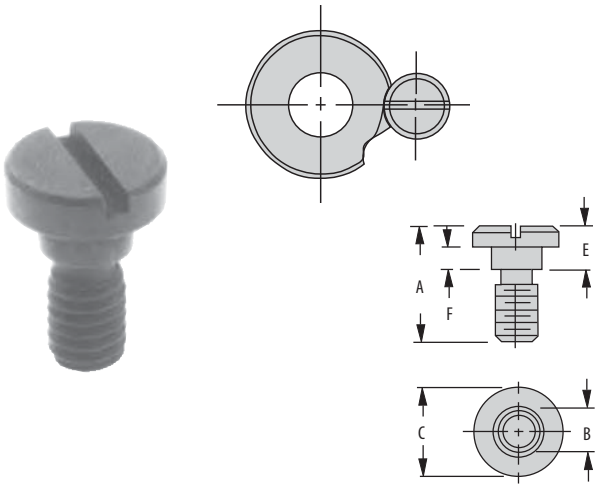


UN-A-LOK™ INSERTING TOOL

UN-A-LOK™ PRESS FIT LINER

LOCKSCREWS AND CLAMPS

LOCKSCREWS



* For extended-range bushings.

The most popular locking device for renewable drill bushings. Use on either the "slip" or "fixed" side of a slip-fixed bushing. Simple, strong, compact, and economical.

STANDARD MOUNTING (INCH)

PART NO.	A	B DIA	C DIA	E	F	THREAD
LS-0	7/16	3/16	5/16	3/16	.105/.100	#8-32
LS-1	5/8	3/8	5/8	1/4	.138/.132	5/16-18
LS-2	7/8			3/8	.200/.194	
LS-3	1	7/16	3/4	3/8	.200/.194	3/8-16
LS-4*	1-1/16			7/16	.231/.225	
LS-5*	1-1/8			1/2	.263/.257	

STANDARD MOUNTING - THINWALL (INCH)

PART NO.	A	B DIA	C DIA	E	F	THREAD
TW-1	7/16	3/16	5/16	3/16	.105/.100	#8-32
TW-2	1/2	1/4	3/8	1/4	.138/.132	#10-32
TW-3	11/16		7/16	3/8	.200/.194	
TW-4	7/8	3/8	9/16	1/2	.263/.257	5/16-18
TW-5	1	3/8	5/8	5/8	.325/.319	
TW-7	3/4			3/8	.200/.194	

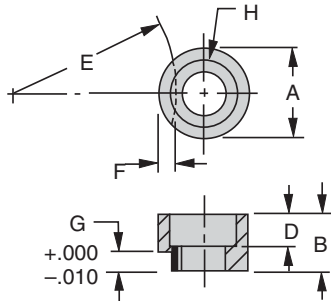
STANDARD MOUNTING (METRIC)

PART NO.	A	B DIA	C DIA	E	F	THREAD
LSM-1	15mm	7.5mm	13mm	6mm	3.3mm	M5
LSM-3	18mm	9.5mm	16mm	8mm	4.3mm	M6
LSM-5	22mm	12mm	20mm	10mm	5.8mm	M8
LSM-7	32mm	15mm	24mm	12mm	7.3mm	M10

PROJECTED MOUNTING (METRIC)

PART NO.	A	B DIA	C DIA	E	F	THREAD
LSM-2	18mm	7.5mm	13mm	9mm	6.3mm	M5
LSM-4	22mm	9.5mm	16mm	12mm	8.3mm	M6
LSM-6	27mm	12mm	20mm	15mm	10.8mm	M8
LSM-8	38mm	15mm	24mm	18mm	13.3mm	M10

ROUND CLAMPS



* For extended-range bushings.

Alternative to lock screws when using the "fixed" side of a slip-fixed SF bushing. Round clamps have less clearance under their heads, to clamp bushings tighter (which is why you cannot use them on the bushing's "slip" side). Use them with a Socket-Head Cap Screw.

STANDARD MOUNTING (INCH)

PART NO.	A DIA	B	D	E	F	G	H SOCKET-HEAD CAP SCREW	REPLACES LOCK SCREW
RC-01	5/8	5/16	5/32	17/32	.109	.125	5/16-18	LS-1
RC-02		7/16	7/32	29/32	.125	.188		LS-2
RC-03	3/4	1/2	9/32	1-13/32	.156	.188	3/8-16	LS-3
RC-04*		17/32	1/4	2-1/2		.219		LS-4
RC-05*		9/16				.250		LS-5

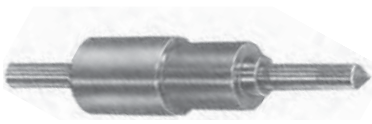
STANDARD MOUNTING (METRIC)

PART NO.	A DIA	B	D	E	F	G	H SOCKET-HEAD CAP SCREW	REPLACES LOCK SCREW
RCM-1	13mm	8mm	4mm	9.5mm	2.8mm	3mm	M5	LSM-1
RCM-3	16mm	10mm	5mm	15mm	3.3mm	4mm	M6	LSM-3
RCM-5	20mm	12mm	5mm	30mm	3.8mm	5.5mm	M8	LSM-5
RCM-7	24mm	16mm	7mm	80mm	4.5mm	7mm	M10	LSM-7

PROJECTED MOUNTING (METRIC)

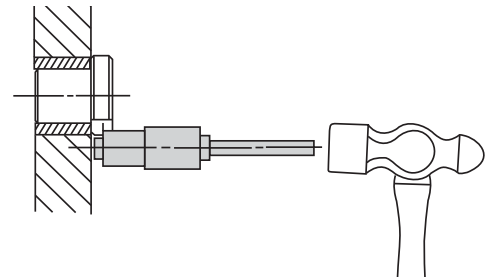
PART NO.	A DIA	B	D	E	F	G	H SOCKET-HEAD CAP SCREW	REPLACES LOCK SCREW
RCM-2	13mm	11mm	4mm	9.5mm	2.8mm	6mm	M5	LSM-2
RCM-4	16mm	14mm	5mm	15mm	3.3mm	8mm	M6	LSM-4
RCM-6	20mm	17mm	5mm	30mm	3.8mm	10.5mm	M8	LSM-6
RCM-8	24mm	22mm	7mm	80mm	4.5mm	13mm	M10	LSM-8

LOCKSCREW LOCATING JIG



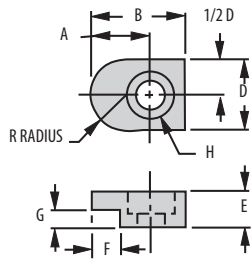
CL-1-LSLJ

A precision tool for centerpunching lockscrew holes. The jig is made in two parts: a reversible centerpunch and an outer body for locating. To use, just insert the bushing and place the locating jig against the lockscrew recess. Turn bushing to desired orientation, then tap centerpunch lightly. For installing lockscrews LS-1, LS-2, LS-3, LS-4, LS-5, TW-5, and TW-7. Also for installing round clamps RC-01, RC-02, RC-03, RC-04, and RC-05.



LOCKSREWS AND CLAMPS

ROUND END CLAMPS



A heavy-duty alternative to lockscrews. Allows locating tapped hole farther away from bushing to avoid interference with a larger liner. Use on either the "slip" or "fixed" side of a slip-fixed renewable bushing. Available in two heights: standard for recessed liner mounting; tall for projected head-liner mounting. Use with a Socket-Head Cap Screw.

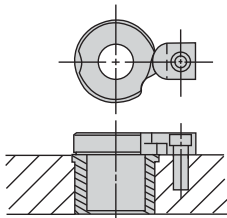
STANDARD MOUNTING (INCH)

PART NO.	A	B	D	E	F	G	H SOCKET-HEAD CAP SCREW	R
RK-01	7/16	3/4	5/4	5/16	3/16	1/8	1/4-20	5/16
RK-02	1/2			3/8	1/4	3/16		
RK-03	5/8	1	3/4	3/8	5/16	3/16	5/16-18	3/8
RK-04*	11/16	1-1/8	3/4	7/16	5/16	7/32	3/8-16	3/8
RK-05*				1/2		1/4		

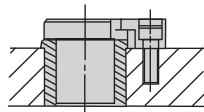
PROJECTED MOUNTING (INCH)

RK-10	7/16	3/4	5/8	3/8	3/16	7/32	1/4-20	5/16
RK-11				1/4				
RK-12	1/2	1	3/4	1/2	1/4	5/16	3/8-16	3/8
RK-13				3/8				
RK-14	5/8	1	3/4	1/2	5/16	3/8	3/8-16	3/8

* For extended-range bushings.

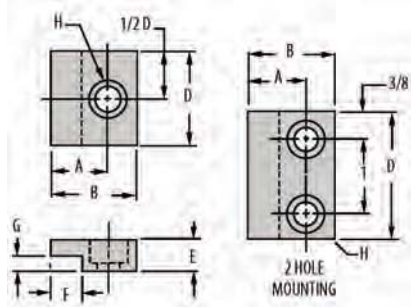
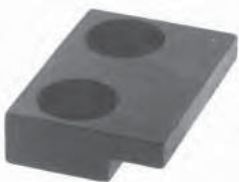


Standard Mounting



Projected Mounting

FLAT CLAMPS



Use to lock FM-type fixed-renewable bushings which have a milled locking flat. Available in two heights: standard for recessed liner mounting; tall for projected head-liner mounting. Use with one or two Socket-Head Cap Screws.

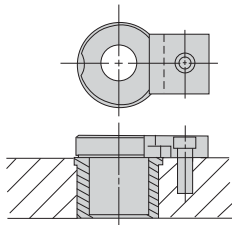
STANDARD MOUNTING (INCH)

PART NO.	NO. OF HOLES	A	B	D	E	F	G	H SOCKET-HEAD CAP SCREW
FC-01	1	1/2	7/8	5/8	5/16	3/16	1/8	1/4-20
FC-02		5/8	1	1	3/8	1/4	3/16	5/16-18
FC-03		1-1/8	5/16	3/16	5/16-18			
FC-04*	1	51/64	1-11/64	1-1/4	3/8	27/64	7/32	3/8-16
FC-05*	2			1-3/4				
FC-06*	1			1-1/4	1/2			
FC-07*	2			1-3/4				

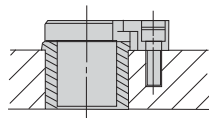
PROJECTED MOUNTING (INCH)

FC-10	1	1/2	7/8	5/8	3/8	3/16	7/32	1/4-20
FC-11							1/4	
FC-12	1	5/8	1	1	1/2	1/4	5/16	5/16-18
FC-13							3/8	

* For extended-range bushings.

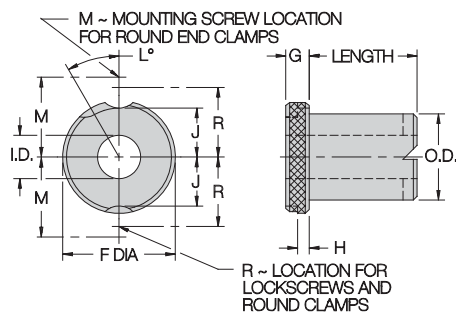


Standard Mounting



Projected Mounting

CHIP-BREAKER BUSHINGS



- CH-20-16-.1250 NCB No counterbore on long bushings marked with * (no counterbore is standard on all other bushings)
- CHM-10-20-4.50 Standard metric SF-type bushing with chip breaker
- PCH-20-16-.1250 P bushing with chip breaker
- HCH-20-16-.1250 H bushing with chip breaker
- DCCH-20-16-.1250 Directed coolant bushing with chip breaker

STANDARD ID TOLERANCES:

From #80 to 1/4"	+0.001/+0.004	From .35 to 3mm	+0.02/+0.08mm
Over 1/4 to 3/4"	+0.001/+0.005	Over 3 to 6mm	+0.04/+0.12mm
Over 3/4 to 1-1/2"	+0.002/+0.006	Over 6 to 10mm	+0.05/+0.14mm
Over 1-1/2 to 2-3/4"	+0.003/+0.007	Over 10 to 18mm	+0.06/+0.17mm
		Over 18 to 30mm	+0.07/+0.20mm
		Over 30 to 50mm	+0.09/+0.25mm
			(G6 tolerance)

INCH

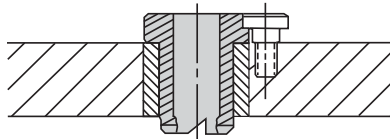
BODY OD	F	G	H	J	L	M	R	LOCK SCREW
5/16	35/64	1/4	1/8	11/64	65°	5/8	1/2	LS-1
1/2	51/64			19/64	65°	3/4	5/8	
3/4	1-3/64			27/64	50°	7/8	3/4	
1	1-27/64	3/8	3/16	19/32	35°	1-7/64	59/64	LS-2
1-3/8	1-51/64			25/32	30°	1-19/64	1-7/64	
1-3/4	2-19/64			1	30°	1-41/64	1-25/64	
2-1/4	2-51/64	3/8	3/16	1-1/4	25°	1-57/64	1-41/64	LS-3

METRIC

8mm	15mm	6mm	3mm	4.5mm	65°		11.5mm	LSM-1	
10mm	18mm			6mm	65°		13mm	LSM-2	
12mm	22mm	8mm	4mm	7.5mm	60°		16mm	LSM-3	
15mm	26mm			9.5mm	50°		18mm		
18mm	30mm			11.5mm	50°		20mm		
22mm	34mm	10mm	5.5mm	13mm	35°		23.5mm	LSM-5	
26mm	39mm			15.5mm	35°		26mm		
30mm	46mm			19mm	30°		29.5mm		LSM-6
35mm	52mm			22mm	30°		32.5mm		
42mm	59mm			25.5mm	30°		36mm		
48mm	66mm			28.5mm	30°		41mm		
55mm	74mm	12mm	7mm	32.5mm	25°		45mm	LSM-7	
62mm	82mm			36.5mm	25°		49mm	LSM-8	

APPLICATIONS:

Similar to an SF renewable bushing, but with specially designed chip-breaking notches on the drill-exit end. Use to break up chips from tough stringy materials, to reduce friction and heat buildup. Reduces bushing wear at the drill-exit end and reduces the chance of tool or workpiece damage. A chip-breaker bushing should extend beyond its liner to allow chips to escape. Chip breakers are also available on other bushing types such as P, H, and DC (directed coolant).



ORDERING EXAMPLES:

- CH-20-16-.1250 Standard inch SF-type bushing with chip breaker, inch ID
- CH-20-16-.1772 Standard inch SF-type bushing with chip breaker, mm ID (.1772 = 4.50mm)

ID RANGE	OD	LENGTH	ANSI PART NO.	LOCK SCREW
.0625-.0934 1/16-#43 1.60-2.35mm	5/16 .3125-.3123	*3/4	CH-20-12	LS-1 RC-01 RK-01 RK-10
		*1	CH-20-16	
		*1-3/8	CH-20-22	
.0935-.1935 #42-#10 2.40-4.90mm		*3/4	CH-20-12	LS-1 RC-01 RK-01 RK-10
		*1	CH-20-16	
		*1-3/8	CH-20-22	
.1405-.3438 #28-11/32 3.60-8.70mm	1/2 .5000-.4998	*3/4	CH-32-12	LS-1 RC-01 RK-01 RK-10
		*1	CH-32-16	
		*1-3/8	CH-32-22	
		*1-3/4	CH-32-28	
.2812-.5625 9/32-9/16 7.20-14.00mm	3/4 .7500-.7498	1	CH-48-16	LS-1 RC-01 RK-01 RK-11
		1-3/8	CH-48-22	
		1-3/4	CH-48-28	
		2-1/8	CH-48-34	
.4688-.7812 15/32-25/32 11.50-19.50mm	1 1.0000-.9998	*2-1/2	CH-48-40	LS-2 RC-02 RK-02 RK-12
		1	CH-64-16	
		1-3/8	CH-64-22	
		1-3/4	CH-64-28	
.7188-1.0625 23/32-1-1/16 18.50-27.00mm	1-3/8 1.3750-1.374	2-1/8	CH-64-34	LS-2 RC-02 RK-02 RK-12
		2-1/2	CH-64-40	
		3	CH-64-48	
		1	CH-88-16	
.9688-1.4062 31/32-1-13/32 25.00-35.00mm	1-3/4 1.7500-1.7497	1-3/8	CH-88-22	LS-3 RC-03 RK-03 RK-13
		1-3/4	CH-88-28	
		2-1/8	CH-88-34	
		2-1/2	CH-88-40	
1.3438-1.8750 1-11/32-1-7/8 35.00-47.00mm	2-1/4 2.2500-2.2496	3	CH-88-48	LS-3 RC-03 RK-03 RK-13
		1-3/8	CH-112-22	
		1-3/4	CH-112-28	
		2-1/8	CH-112-34	
		2-1/2	CH-112-40	
		3	CH-112-48	
		1-3/8	CH-144-22	
		1-3/4	CH-144-28	
		2-1/8	CH-144-34	
		2-1/2	CH-144-40	
		3	CH-144-48	

* **INFO+:** Counterbored, leaving correct drill-bearing length and clearance (see page 532 for bearing length).

CHIP BREAKER BUSHINGS – METRIC



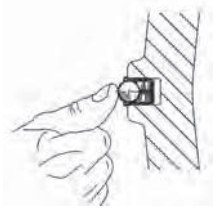
ID RANGE (G6)	OD (h5)	LENGTH	ANSI PART NO.	LOCK SCREW
1.00-4.00mm	8mm 8.000-7.994mm	*10mm	CHM-8-10	LSM-1 LSM-2 RCM-1 RCM-2
		*16mm	CHM-8-16	
4.01-6.00mm	10mm 10.000-9.994mm	12mm	CHM-10-12	LSM-3 LSM-4 RCM-3 RCM-4
		20mm	CHM-10-20	
		25mm	CHM-10-25	
		12mm	CHM-12-12	
6.01-8.00mm	12mm 12.000-11.992mm	20mm	CHM-12-20	LSM-5 LSM-6 RCM-5 RCM-6
		25mm	CHM-12-25	
		16mm	CHM-15-16	
8.01-10.00mm	15mm 15.000-14.992mm	28mm	CHM-15-28	LSM-7 LSM-8 RCM-7 RCM-8
		36mm	CHM-15-36	
		16mm	CHM-18-16	
10.01-12.00mm	18mm 18.000-17.992mm	28mm	CHM-18-28	LSM-7 LSM-8 RCM-7 RCM-8
		36mm	CHM-18-36	
		20mm	CHM-22-20	
12.01-15.00mm	22mm 22.000-21.991mm	36mm	CHM-22-36	LSM-7 LSM-8 RCM-7 RCM-8
		45mm	CHM-22-45	
		20mm	CHM-26-20	
15.01-18.00mm	26mm 26.000-25.991mm	36mm	CHM-26-36	LSM-7 LSM-8 RCM-7 RCM-8
		45mm	CHM-26-45	
		25mm	CHM-30-25	
18.01-22.00mm	30mm 30.000-29.991mm	45mm	CHM-30-45	LSM-7 LSM-8 RCM-7 RCM-8
		56mm	CHM-30-56	
		25mm	CHM-35-25	
22.01-26.00mm	35mm 35.000-34.989mm	45mm	CHM-35-45	LSM-7 LSM-8 RCM-7 RCM-8
		56mm	CHM-35-56	
		30mm	CHM-42-30	
26.01-30.00mm	42mm 42.000-41.989mm	56mm	CHM-42-56	LSM-7 LSM-8 RCM-7 RCM-8
		67mm	CHM-42-67	
		30mm	CHM-48-30	
30.01-35.00mm	48mm 48.000-47.989mm	56mm	CHM-48-56	LSM-7 LSM-8 RCM-7 RCM-8
		67mm	CHM-48-67	
		30mm	CHM-55-30	
35.01-42.00mm	55mm 55.000-54.987mm	56mm	CHM-55-56	LSM-7 LSM-8 RCM-7 RCM-8
		67mm	CHM-55-67	
		35mm	CHM-62-35	
42.01-48.00mm	62mm 62.000-61.987mm	67mm	CHM-62-67	LSM-7 LSM-8 RCM-7 RCM-8
		78mm	CHM-62-78	

* Small metric drill sizes through .80mm are counterbored 1.00mm diameter, with 3mm drill-bearing length.

Precision All in One Shot.



Thanks to their flexible body design, Self-Retaining Ball Plungers from Carr Lane Mfg. can be securely installed in an ordinary drilled hole, very often simply by hand.



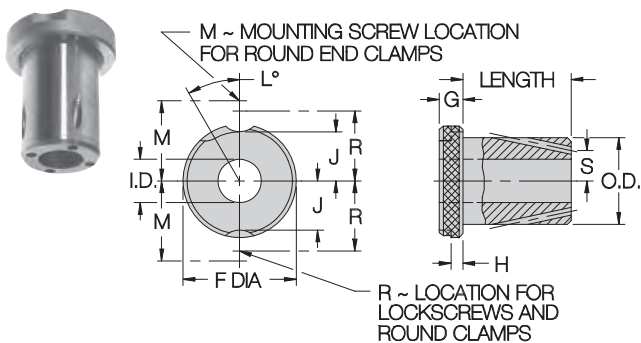
The slotted end of the thermoplastic body expands to compensate for hole tolerances up to .008".

Eliminate an extra machining step with Self-Retaining Ball Plungers.

Carr Lane
MANUFACTURING CO.

See page 163

DIRECTED-COOLANT BUSHINGS



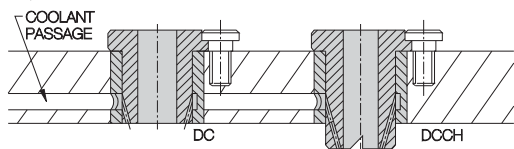
BODY OD	F DIA	G	H	J	L	M	N DIA
5/16	35/64	1/4	1/8	11/64	65°	5/8	5/8
1/2	51/64			19/64	65°	3/4	7/8
3/4	1-3/64			27/64	50°	7/8	1-1/8
1	1-27/64	3/8	3/16	19/32	35°	1-7/64	1-1/2
1-3/8	1-51/64			25/32	30°	1-19/64	1-7/8
1-3/4	2-19/64			1	30°	1-41/64	2-3/8
2-1/4	2-51/64			1-1/4	25°	1-57/64	2-7/8

BODY OD	P	Q	R	S	T DIA	U DIA	V
5/16	3/32	3/16	1/2	5/64	.067	25/64	5/32
1/2	3/32	5/16**	5/8	9/64	.093	19/32**	7/32**
3/4	1/8	5/16	3/4	17/64	.104	55/64	7/32
1	1/8	5/16	59/64	23/64	.125	1-5/32	7/32
1-3/8	3/16	7/16	1-7/64	17/32	.147	1-17/32	9/32
1-3/4	3/16		1-25/64	11/16	.173	1-31/32	
2-1/4	3/16		1-41/64	7/8	.173	2-15/32	

** Q = 3/16, U = 39/64, V = 5/32 on 1/2" long liner bushings.

APPLICATIONS:

Similar to an SF renewable bushing, but with passages to direct coolant to the cutting area. This design is particularly good for washing away chips, especially when ordered as the combination Directed Coolant Chip Breaker (DCCH). DC bushings require special liners, DCL or DCHL, to direct coolant from a drilled manifold passage to the holes in the bushing's OD wall. **INFO+:** Important note: Always order matching liner length (see page 567.)



ORDERING EXAMPLES:

DC-20-12-.1250	Standard inch directed-coolant bushing, inch ID
DCCH-20-16-.1250	Same as above, except with chip breakers (go to next length so that chip breakers extend beyond the liner)
DC-20-12-.1772	Standard inch directed-coolant bushing, mm ID (.1772 = 4.50 mm)
DC-20-12-.1250 REAMER	Reamer tolerance on ID
DC-20-12-.1250 NCB	No counterbore on long bushings marked with * (no counterbore is standard on all other bushings)
DCL-32-12	Liner for renewable bushings above
DCHL-32-12	Head liner for renewable bushings above

STANDARD ID TOLERANCES:

From #80 to 1/4"	+0.001/+0.004	From .35 to 3mm	+0.02/+0.08mm
Over 1/4 to 3/4"	+0.001/+0.005	Over 3 to 6mm	+0.04/+0.12mm
Over 3/4 to 1-1/2"	+0.002/+0.006	Over 6 to 10mm	+0.05/+0.14mm
Over 1-1/2 to 2-3/4"	+0.003/+0.007	Over 10 to 18mm	+0.06/+0.17mm
		Over 18 to 30mm	+0.07/+0.20mm
		Over 30 to 50mm	+0.09/+0.25mm

REAMER ID TOLERANCES:

From #60 to 1/4"	+0.005/+0.008	From 1 to 3mm	+0.06/+0.12mm
Over 1/4 to 1"	+0.006/+0.010	Over 3 to 6mm	+0.10/+0.18mm
Over 1 to 1-1/2"	+0.008/+0.012	Over 6 to 10mm	+0.13/+0.22mm
		Over 10 to 18mm	+0.16/+0.27mm
		Over 18 to 30mm	+0.20/+0.33mm

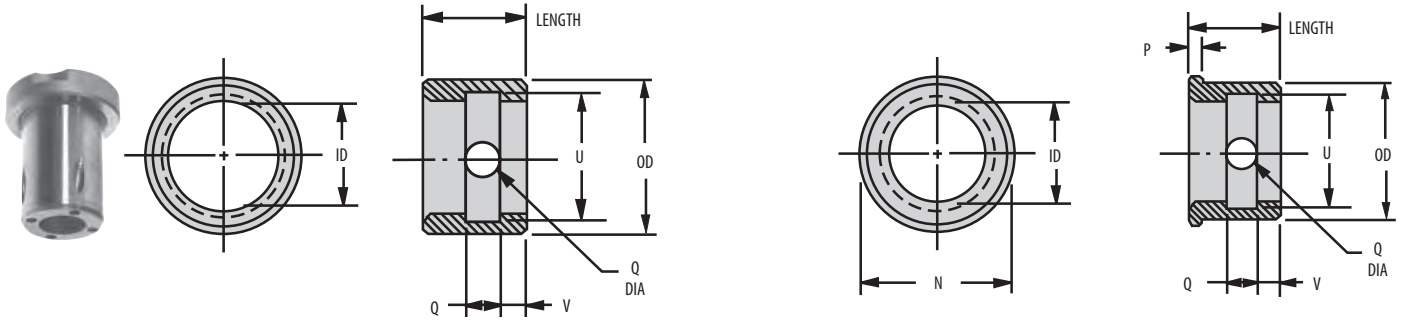
STANDARD LINER ID TOLERANCES:

5/16"	+0.001/+0.004	1-3/8"	+0.006/+0.010
1/2"	+0.002/+0.005	1-3/4"	+0.008/+0.012
3/4"	+0.003/+0.006	2-1/4"	+0.010/+0.015
1"	+0.004/+0.007		

ID RANGE	OD	LENGTH	ANSI PART NO.	LOCK SCREW
.0625-.0934 1/16-#43 1.60-2.35mm	5/16 .3125-.3123	*3/4	DC-20-12	LS-1
		*1	DC-20-16	RC-01
		*1-3/8	DC-20-22	RK-01
*3/4		DC-20-12	RC-01	
*1		DC-20-16	RK-01	
*1-3/8		DC-20-22	RK-11	
.0935-.1935 #42-#10 2.40-4.90mm	1/2 .5000-.4998	*3/4	DC-32-12	LS-1
		*1	DC-32-16	RC-01
		*1-3/8	DC-32-22	RK-01
		*1-3/4	DC-32-28	RK-11
*2-1/8		DC-32-34		
1		DC-48-16		
.2812-.5625 9/32-9/16 7.20-14.00mm	3/4 .7500-.7498	1-3/8	DC-48-22	LS-1
		1-3/4	DC-48-28	RC-01
		2-1/8	DC-48-34	RK-01
		*2-1/2	DC-48-40	RK-11
		1	DC-64-16	
1-3/8		DC-64-22	LS-2	
.4688-.7812 15/32-25/32 11.50-19.50mm	1 1.0000-.9998	1-3/4	DC-64-28	RC-02
		2-1/8	DC-64-34	RK-02
		2-1/2	DC-64-40	RK-12
		3	DC-64-48	
		1	DC-88-16	
1-3/8		DC-88-22	LS-2	
.7188-1.0625 23/32-1-1/16 18.50-27.00mm	1-3/8 1.3750-1.3747	1-3/4	DC-88-28	RC-02
		2-1/8	DC-88-34	RK-02
		2-1/2	DC-88-40	RK-12
		3	DC-88-48	
		1-3/8	DC-112-22	LS-3
1-3/4		DC-112-28	RC-03	
.9688-1.4062 31/32-1-13/32 25.00-35.00mm	1-3/4 1.7500-1.7497	2-1/8	DC-112-34	RK-03
		2-1/2	DC-112-40	RK-13
		3	DC-112-48	
		1-3/8	DC-144-22	LS-3
		1-3/4	DC-144-28	RC-03
2-1/8		DC-144-34	RK-03	
1.3438-1.8750 1-11/32-1-7/8 35.00-47.00mm	2-1/4 2.2500-2.2496	2-1/2	DC-144-40	RK-13
		3	DC-144-48	

* **INFO+:** Counterbored, leaving correct drill-bearing length and clearance (see page 532 for bearing length).

DIRECTED-COOLANT BUSHINGS



INFO+: See below and page 566 for dimensions.

LINERS

ID	OD	LENGTH	PART NO.	MATCHING RENEWABLE BUSHING	
				STANDARD	CHIP BREAKER
5/16	1/2 .5017-.5014 (.520-.515 UNG)	1/2	DCL-32-8	—	DCCH-20-12
		3/4	DCL-32-12	DC-20-12	DCCH-20-16
		1	DCL-32-16	DC-20-16	DCCH-20-22
		1-3/8	DCL-32-22	DC-20-22	—
1/2	3/4 .7518-.7515 (.770-.765 UNG)	1/2	DCL-48-8	—	DCCH-32-12
		3/4	DCL-48-12	DC-32-12	DCCH-32-16
		1	DCL-48-16	DC-32-16	DCCH-32-22
		1-3/8	DCL-48-22	DC-32-22	DCCH-32-28
		1-3/4	DCL-48-28	DC-32-28	DCCH-32-34
		2-1/8	DCL-48-34	DC-32-34	—
3/4	1 1.0018-1.0015 (1.020-1.015 UNG)	3/4	DCL-64-12	—	DCCH-48-16
		1	DCL-64-16	DC-48-16	DCCH-48-22
		1-3/8	DCL-64-22	DC-48-22	DCCH-48-28
		1-3/4	DCL-64-28	DC-48-28	DCCH-48-34
		2-1/8	DCL-64-34	DC-48-34	DCCH-48-40
		2-1/2	DCL-64-40	DC-48-40	—
1	1-3/8 1.3772-1.3768 (1.395-1.390 UNG)	3/4	DCL-88-12	—	DCCH-64-16
		1	DCL-88-16	DC-64-16	DCCH-64-22
		1-3/8	DCL-88-22	DC-64-22	DCCH-64-28
		1-3/4	DCL-88-28	DC-64-28	DCCH-64-34
		2-1/8	DCL-88-34	DC-64-34	DCCH-64-40
		2-1/2	DCL-88-40	DC-64-40	DCCH-64-48
		3	DCL-88-48	DC-64-48	—
1-3/8	1-3/4 1.7523-1.7519 (1.770-1.765 UNG)	3/4	DCL-112-12	—	DCCH-88-16
		1	DCL-112-16	DC-88-16	DCCH-88-22
		1-3/8	DCL-112-22	DC-88-22	DCCH-88-28
		1-3/4	DCL-112-28	DC-88-28	DCCH-88-34
		2-1/8	DCL-112-34	DC-88-34	DCCH-88-40
		2-1/2	DCL-112-40	DC-88-40	DCCH-88-48
		3	DCL-112-48	DC-88-48	—
1-3/4	2-1/4 2.2525-2.2521 (2.270-2.265 UNG)	1	DCL-144-16	—	DCCH-112-22
		1-3/8	DCL-144-22	DC-112-22	DCCH-112-28
		1-3/4	DCL-144-28	DC-112-28	DCCH-112-34
		2-1/8	DCL-144-34	DC-112-34	DCCH-112-40
		2-1/2	DCL-144-40	DC-112-40	DCCH-112-48
		3	DCL-144-48	DC-112-48	—
2-1/4	2-3/4 2.7526-2.7522 (2.770-2.765 UNG)	1	DCL-176-16	—	DCCH-144-22
		1-3/8	DCL-176-22	DC-144-22	DCCH-144-28
		1-3/4	DCL-176-28	DC-144-28	DCCH-144-34
		2-1/8	DCL-176-34	DC-144-34	DCCH-144-40
		2-1/2	DCL-176-40	DC-144-40	DCCH-144-48
		3	DCL-176-48	DC-144-48	—

HEAD LINERS

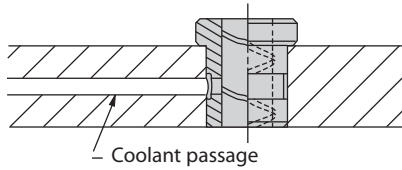
HEAD LINER PART NO.	MATCHING RENEWABLE BUSHING	
	STANDARD	CHIP BREAKER
DCHL-32-8	—	DCCH-20-12
DCHL-32-12	DC-20-12	DCCH-20-16
DCHL-32-16	DC-20-16	DCCH-20-22
DCHL-32-22	DC-20-22	—
DCHL-48-8	—	DCCH-32-12
DCHL-48-12	DC-32-12	DCCH-32-16
DCHL-48-16	DC-32-16	DCCH-32-22
DCHL-48-22	DC-32-22	DCCH-32-28
DCHL-48-28	DC-32-28	DCCH-32-34
DCHL-48-34	DC-32-34	—
DCHL-64-12	—	DCCH-48-16
DCHL-64-16	DC-48-16	DCCH-48-22
DCHL-64-22	DC-48-22	DCCH-48-28
DCHL-64-28	DC-48-28	DCCH-48-34
DCHL-64-34	DC-48-34	DCCH-48-40
DCHL-64-40	DC-48-40	—
DCHL-88-12	—	DCCH-64-16
DCHL-88-16	DC-64-16	DCCH-64-22
DCHL-88-22	DC-64-22	DCCH-64-28
DCHL-88-28	DC-64-28	DCCH-64-34
DCHL-88-34	DC-64-34	DCCH-64-40
DCHL-88-40	DC-64-40	DCCH-64-48
DCHL-88-48	DC-64-48	—
DCHL-112-12	—	DCCH-88-16
DCHL-112-16	DC-88-16	DCCH-88-22
DCHL-112-22	DC-88-22	DCCH-88-28
DCHL-112-28	DC-88-28	DCCH-88-34
DCHL-112-34	DC-88-34	DCCH-88-40
DCHL-112-40	DC-88-40	DCCH-88-48
DCHL-112-48	DC-88-48	—
DCHL-144-16	—	DCCH-112-22
DCHL-144-22	DC-112-22	DCCH-112-28
DCHL-144-28	DC-112-28	DCCH-112-34
DCHL-144-34	DC-112-34	DCCH-112-40
DCHL-144-40	DC-112-40	DCCH-112-48
DCHL-144-48	DC-112-48	—
DCHL-176-16	—	DCCH-144-22
DCHL-176-22	DC-144-22	DCCH-144-28
DCHL-176-28	DC-144-28	DCCH-144-34
DCHL-176-34	DC-144-34	DCCH-144-40
DCHL-176-40	DC-144-40	DCCH-144-48
DCHL-176-48	DC-144-48	—

OIL-GROOVE BUSHINGS



APPLICATIONS:

Oil grooves are available on most drill-bushing types, including P, H, and SF. Use when you need complete drill lubrication and cooling, such as when drilling hardened steel. Oil grooves are specially designed coolant passageways in the bushing's ID wall. Choose from 25 different groove styles. End wipers are also available, to keep out dirt and chips.



ORDERING EXAMPLES:

P-48-16-.5000-AJ	P bushing with AJ oil groove, inch ID
P-48-16-.4724-AJ	P bushing with AJ oil groove, mm ID (.4724 = 12.00mm)
P-48-16-.5000-AJ-AAA	P bushing with AJ oil groove and AAA wiper
SF-48-16-.5000-AJ	SF bushing with AJ oil groove

THREE GENERAL TYPES:

1. With oil hole. A single radial hole in the bushing wall allows coolant to flow from a manifold passage to the internal oil grooves. Bushing must be installed to line up the radial hole with the manifold passage.

2. With oil hole and external groove. OD groove allows coolant to flow around the bushing, then through the radial hole in the bushing's wall to the internal oil grooves. Allows installing the bushing at any orientation, and mounting bushings in series using a single manifold passage. This type is our most popular.

3. Without oil feed. No external coolant feed through a manifold passage, so all coolant enters through the top. This type is also commonly used as a bearing bushing, packed with oil or grease.

OIL-GROOVE STYLES:

We offer a wide selection of oil-groove styles in each general type. This allows choosing a style to suit various operating conditions, lubrication requirements, and individual preferences.

OPTIONAL WIPERS:

To guard against dirt and chips entering the bushing ID, order oil-groove bushings with a wiper end. Note: do not order an oil-groove style that breaks out at the wiper end (AA, AB, AG, AH, AD, or AE). Order style AAA for headless bushings (install wiper in either direction). Order style ABB or ACC for head-type bushings.

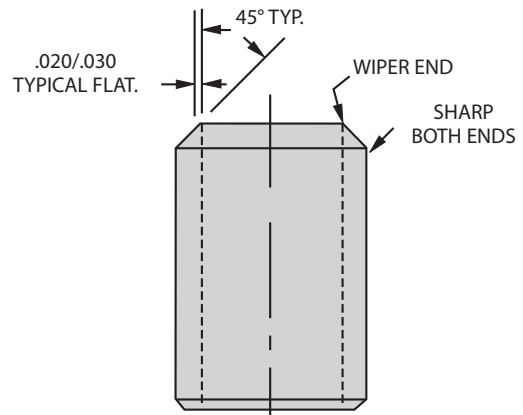
TECHNICAL DATA:

Oil-groove dimensions - 1/16" wide x 1/32" deep
 Oil-hole dimensions - 1/4" diameter
 External-groove dimensions - 5/16" wide x 3/64" deep

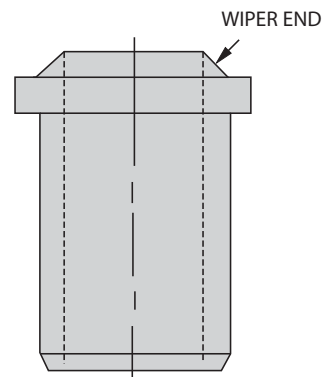
Allowable ID range - 1/2" to 8"
 Allowable length range - 1/2" to 8"

Oil grooves stop 1/8" short of bushing end.

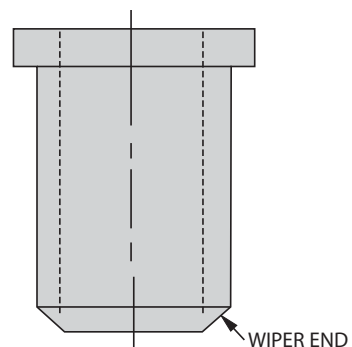
OPTIONAL WIPERS



STYLE AAA
HEADLESS BUSHINGS

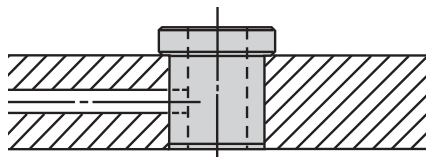


STYLE ABB
HEAD-TYPE BUSHINGS

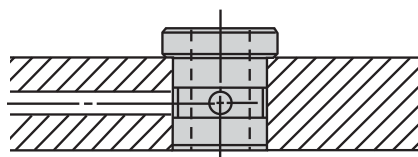


STYLE ACC
HEAD-TYPE BUSHINGS

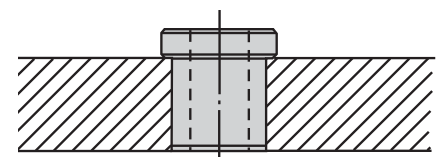
OIL-GROOVE BUSHINGS



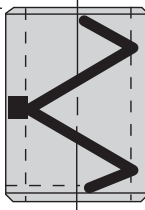
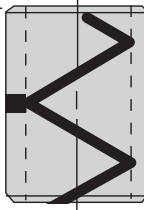
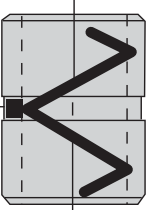
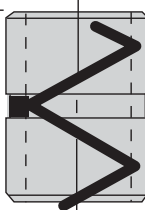
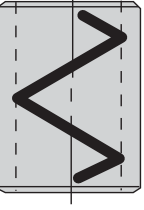
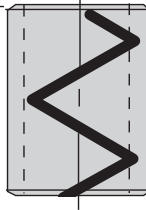
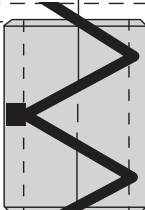
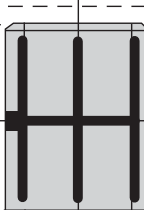
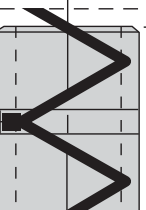
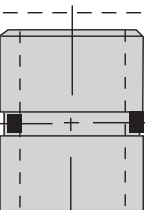
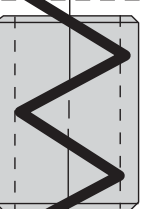
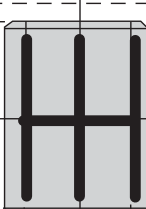



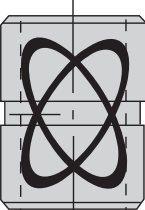


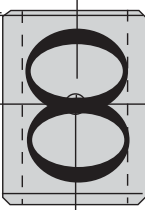
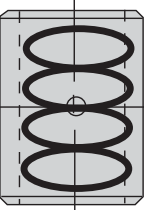
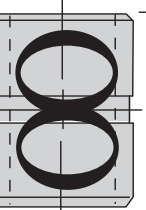
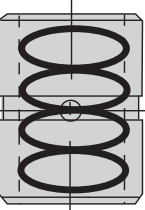
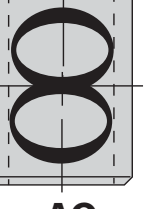
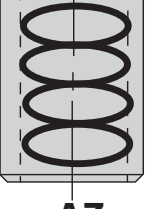
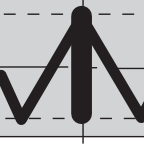
**WITH
OIL HOLE**



**WITH OIL HOLE &
EXTERNAL GROOVE**



**WITHOUT
OIL FEED**

					
AC Helix	AA Helix Open Bottom	AJ Helix	AG Helix Open Bottom	AF Helix	AD Helix Open Bottom
					
AB Helix Open both ends	AL Straight	AH Helix Open both ends	AO Two Holes	AE Helix Open both ends	AK Straight
					
AR Loop	AU Double Loop	AS Loop	AV Double Loop	AT Loop	AW Double Loop
					
AN Figure 8	AX Double Figure 8	AP Figure 8	AY Double Figure 8	AQ Figure 8	AZ Double Figure 8
					AM Helix with ID groove

OIL-GROOVE BUSHINGS



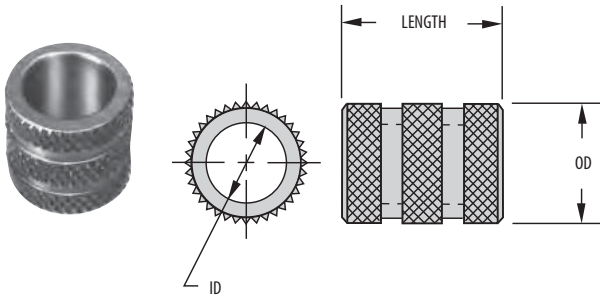
OIL-GROOVE CONVERSION CHART

Carr Lane	Ace	Acme	American	Briney	Economy	United	Universal	Welch
Style AA	Type 1	Style 5	Style 1	Style A	Style A	Style 1A	Style A	Style A
Style AB	Type 2	Style 8	Style 2	Style B	Style B	Style 2A	Style B	Style B
Style AC	Type 3	Style 2	Style 3	Style C	Style C	Style 3A	Style C	Style C
Style AD	Type 4	Style 4	Style 4	Style D	Style D	Style 1	Style D	Style D
Style AE	Type 6	Style 7	Style 5	Style E	Style E	Style 2	Style E	Style E
Style AF	Type 5	Style 1	Style 6	Style F	Style F	Style 3	Style F	Style F
Style AG	Type 7	Style 6	Style 7	Style G	Style G	Style 1B	Style G	Style G
Style AH	Type 8	Style 9	Style 8	Style H	Style H	Style 2B	Style H	Style H
Style AJ	Type 9	Style 3	Style 9	Style J	Style J	Style 3B	Style J	Style J
Style AK	Type 10	Style 10	Style 10	Style K	Style K	Style 4	Style K	Style K
Style AL	Type 11	Style 11	Style 11	Style L	Style L	Style 4A	Style L	Style L
Style AM	Type 12	—	Style 12	Style M	Style M	Style 6	Style M	Style M
Style AN	Type 14	Style 20	Style 13	Style N	Style N	Style 7A	Style N	Style N
Style AO	Type 13	Style 12	Style 14	Style O	Style O	Style 12C	Style O	Style O
Style AP	Type 15	Style 21	Style 15	Style P	Style P	Style 7B	Style P	Style P
Style AQ	Type 16	Style 19	Style 16	Style Q	Style Q	Style 7	Style Q	Style Q
Style AR	Type 17	Style 14	Style 17	Style R	Style R	Style 9A	Style R	Style R
Style AS	Type 18	Style 15	Style 18	Style S	Style S	Style 9B	Style S	Style S
Style AT	Type 19	Style 13	Style 19	Style T	Style T	Style 9	Style T	Style T
Style AU	Type 20	Style 17	Style 20	Style U	Style U	Style 10A	Style U	Style U
Style AV	Type 21	Style 18	Style 21	Style V	Style V	Style 10B	Style V	Style V
Style AW	Type 22	Style 16	Style 22	Style W	Style W	Style 10	Style W	Style W
Style AX	Type 23	Style 23	Style 23	Style X	Style X	Style 8A	Style X	Style X
Style AY	Type 24	Style 24	Style 24	Style Y	Style Y	Style 8B	Style Y	Style Y
Style AZ	Type 25	Style 22	Style 25	Style Z	Style Z	Style 8	Style Z	Style Z

WIPER CONVERSION CHART

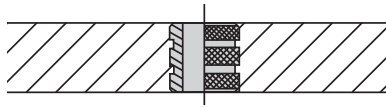
Carr Lane	Ace	Acme	American	Briney	Economy	United	Universal	Welch
Style AAA	Type WEA	Style WA	Style A	Style AA	Style AA	Style PE	Style AA	Style AA
Style ABB	Type WEB	Style WB	Style B	Style BB	Style BB	Style HW	Style BB	Style BB
Style ACC	Type WEC	Style WC	Style C	Style CC	Style CC	Style HE	Style CC	Style CC

DIAMOND-GROOVE BUSHINGS



APPLICATIONS:

A bushing for cast-in-place or potted installation. Diamond-knurled OD provides superior holding strength against both rotational and axial forces. Since the bushing's OD is not ground, keep the ID accurately located during casting or potting to ensure accuracy in the finished tool.



ORDERING EXAMPLES:

DG-26-16-.1875 Standard inch bushing, inch ID
 DG-26-16-.1772 Standard inch bushing, mm ID
 (.1772 = 4.50mm)
 DG-26-16-.1875 REAMER Reamer tolerance on ID
 DG-26-16-.1875 NCB No counterbore on long bushings
 marked with * (no counterbore is standard on all other bushings)
 DGM-8-12-4.50 Standard metric bushing

Standard prices apply only to bushings with a standard-drill-size ID within the stated ID range. See catalog back cover for standard drill sizes and their decimal equivalents. For prices on non-standard ID sizes, including reamer-tolerance and tap-guide bushings, please contact factory.

STANDARD ID TOLERANCES:

From #55 to 1/4"	+0.001/+0.004	From 1 to 3mm	+0.002/+0.008mm
		Over 3 to 6mm	+0.004/+0.012mm
Over 1/4 to 3/4"	+0.001/+0.005	Over 6 to 10mm	+0.005/+0.014mm
		Over 10 to 18mm	+0.006/+0.017mm
Over 3/4 to 1-1/2"	+0.002/+0.006	Over 18 to 19mm	+0.007/+0.020mm
			(G6 tolerance)

REAMER ID TOLERANCES:

From #60 to 1/4"	+0.005/+0.008	From 1 to 3mm	+0.006/+0.012mm
		Over 3 to 6mm	+0.010/+0.018mm
Over 1/4 to 1"	+0.006/+0.010	Over 6 to 10mm	+0.013/+0.022mm
		Over 10 to 18mm	+0.016/+0.027mm
		Over 18 to 19mm	+0.020/+0.033mm
			(F6 tolerance)

ID RANGE	OD	LENGTH	ANSI PART NO.
.0520-.0995 #55-#39 1.35-2.50mm	13/64 .223-.213	1/4	DG-13-4
		5/16	DG-13-5
		3/8	DG-13-6
		1/2	DG-13-8
.0980-.1406 #40-9/64 2.50-3.50mm	1/4 .275-.260	1/4	DG-16-4
		5/16	DG-16-5
		3/8	DG-16-6
		1/2	DG-16-8
.1250-.1935 1/8-#10 3.20-4.90mm	5/16 .337-.322	*3/4	DG-16-12
		1/4	DG-20-4
		5/16	DG-20-5
		3/8	DG-20-6
.1562-.2570 5/32-F 4.00-6.50mm	13/32 .431-.416	1/2	DG-20-8
		3/4	DG-20-12
		*1	DG-20-16
		1/4	DG-26-4
.1562-.3160 5/32-O 4.00-8.00mm	1/2 .525-.510	5/16	DG-26-5
		3/8	DG-26-6
		1/2	DG-26-8
		3/4	DG-26-12
.3125-.4375 5/16-7/16 7.90-11.00mm	5/8 .650-.635	*1	DG-26-16
		5/16	DG-32-5
		3/8	DG-32-6
		1/2	DG-32-8
.3125-.5312 5/16-17/32 8.00-13.00mm	3/4 .775-.760	3/4	DG-32-12
		*1	DG-32-16
		3/8	DG-40-6
		1/2	DG-40-8
.5000-.6562 1/2-21/32 13.00-16.50mm	7/8 .900-.885	3/4	DG-40-12
		1	DG-40-16
		1-3/8	DG-40-22
		3/8	DG-48-6
.5000-.7656 1/2-49/64 13.00-19.00mm	1 1.035-1.010	1/2	DG-48-8
		3/4	DG-48-12
		1	DG-48-16
		1-3/8	DG-48-22
		3/8	DG-56-6
		1/2	DG-56-8
		3/4	DG-56-12
		1	DG-56-16
		1-3/8	DG-56-22
		1/2	DG-64-8
		3/4	DG-64-12
		1	DG-64-16
		1-3/8	DG-64-22
		1-1/2	DG-64-24

* **INFO+:** Counterbored, leaving correct drill-bearing length and clearance (see page 532 for bearing length).

DIAMOND-GROOVE BUSHINGS – METRIC



ID RANGE (G6)	OD	LENGTH	ANSI PART NO.
1.00-1.80mm	5mm 5.50-5.25mm	6mm	DGM-5-6
		9mm	DGM-5-9
1.81-2.60mm	5.50-5.25mm	6mm	DGM-5-6
		9mm	DGM-5-9
2.61-3.30mm	6mm 6.65-6.25mm	8mm	DGM-6-8
		12mm	DGM-6-12
		16mm	DGM-6-16
3.31-4.00mm	7mm 7.65-7.25mm	8mm	DGM-7-8
		12mm	DGM-7-12
		16mm	DGM-7-16
4.01-5.00mm	8mm 8.65-8.25mm	8mm	DGM-8-8
		12mm	DGM-8-12
		16mm	DGM-8-16
5.01-6.00mm	10mm 10.65-10.25mm	10mm	DGM-10-10
		16mm	DGM-10-16
		20mm	DGM-10-20
6.01-8.00mm	12mm 12.65-12.25mm	10mm	DGM-12-10
		16mm	DGM-12-16
		20mm	DGM-12-20
8.01-10.00mm	15mm 15.65-15.25mm	12mm	DGM-15-12
		20mm	DGM-15-20
		25mm	DGM-15-25
10.01-12.00mm	18mm 18.65-18.25mm	12mm	DGM-18-12
		20mm	DGM-18-20
		25mm	DGM-18-25
12.01-15.00mm	22mm 22.65-22.25mm	16mm	DGM-22-16
		28mm	DGM-22-28
		36mm	DGM-22-36
15.01-18.00mm	26mm 26.90-26.25mm	16mm	DGM-26-16
		28mm	DGM-26-28
		36mm	DGM-26-36

CarrLock™ SYSTEM



PROBLEM:

"We are an aerospace prototype shop making the transition from prototype to production on an important UAV project. We've developed elaborate fixturing of all shapes and sizes. We found ourselves leaving our trim fixtures set up on a large gantry style table and then having to tear everything down when a large part came along to make way for it.

This tied up one of our most valuable spindles, and dust collection was nearly impossible. Change over and setup times were totally out of control."



Machine Operator Tyler Vaughn, of the Flying S, places a carbon trim fixture. The Carr Lock® receiver bushings allow for fixtures in various configurations.

SOLUTION:

"I discovered that I could combine 80% of our trim fixtures into just one fixture plate using just two Carr Lock® pins, with excellent locating ability and much better clamping than before.

Our setup times have gone from an average of about 25 minutes to literally 30 seconds, thus saving us hundreds of hours."

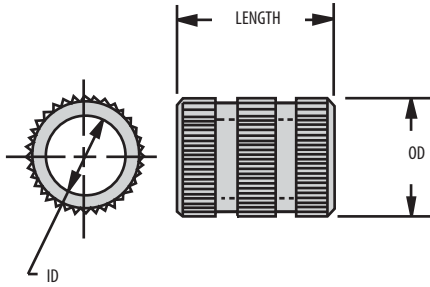
*Peter Bowman
Production Manager/Mfg Engineer
Flying S Inc.*

Exclusively Made
in the USA

www.carrlane.com/carrlock

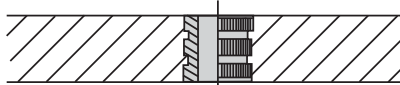
See Pages 324-341

SERRATA-GROOVE BUSHINGS



APPLICATIONS:

Can be cast in place or potted, just as a diamond-groove bushing, or can also be pressed into an installation hole. Straight knurl provides less resistance to axial loads than the diamond knurl on a DG bushing. Since the bushing's OD is not ground, keep the ID accurately located during casting or potting to ensure accuracy in the finished tool.



ORDERING EXAMPLES:

SG-26-16-.1875 Standard inch bushing, inch ID
 SG-26-16-.1772 Standard inch bushing, mm ID
 (.1772 = 4.50mm)
 SG-26-16-.1875 REAMER Reamer tolerance on ID
 SG-26-16-.1875 NCB No counterbore on long bushings
 marked with * (no counterbore is
 standard on all other bushings)

Standard prices apply only to bushings with a standard-drill-size ID within the stated ID range. See catalog back cover for standard drill sizes and their decimal equivalents. For prices on non-standard ID sizes, including reamer-tolerance and tap-guide bushings, please contact factory.

STANDARD ID TOLERANCES:

From #55 to 1/4"	+0.001/+0.0004	From 1 to 3mm	+0.002/+0.008mm
Over 1/4 to 3/4"	+0.001/+0.0005	Over 3 to 6mm	+0.004/+0.012mm
Over 3/4 to 1-1/2"	+0.0002/+0.0006	Over 6 to 10mm	+0.005/+0.014mm
Over 10 to 18mm	+0.006/+0.017mm	Over 18 to 19mm	+0.007/+0.020mm

(G6 tolerance)

REAMER ID TOLERANCES:

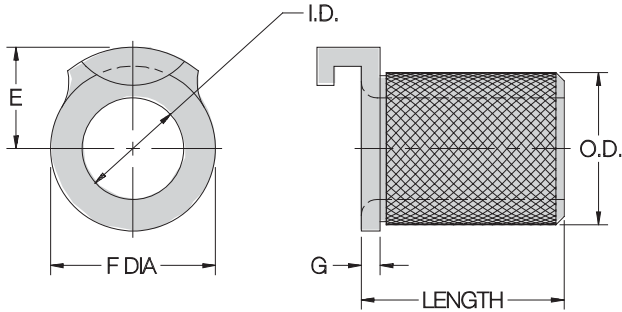
From #60 to 1/4"	+0.0005/+0.0008	From 1 to 3mm	+0.006/+0.012mm
Over 1/4 to 1"	+0.0006/+0.0010	Over 3 to 6mm	+0.010/+0.018mm
		Over 6 to 10mm	+0.013/+0.022mm
		Over 10 to 18mm	+0.016/+0.027mm
		Over 18 to 19mm	+0.020/+0.033mm

(F6 tolerance)

ID RANGE	OD	LENGTH	ANSI PART NO.
.0520-.0995 #55-#39 1.35-2.50mm	13/64 .223-.213	1/4	SG-13-4
		5/16	SG-13-5
		3/8	SG-13-6
		1/2	SG-13-8
.0980-.1406 #40-9/64 2.50-3.50mm	1/4 .275-.260	1/4	SG-16-4
		5/16	SG-16-5
		3/8	SG-16-6
		1/2	SG-16-8
.1250-.1935 1/8-#10 3.20-4.90mm	5/16 .337-.322	*3/4	SG-16-12
		1/4	SG-20-4
		5/16	SG-20-5
		3/8	SG-20-6
		1/2	SG-20-8
.1562-.2570 5/32-F 4.00-6.50mm	13/32 .431-.416	3/4	SG-20-12
		*1	SG-20-16
		1/4	SG-26-4
		5/16	SG-26-5
		3/8	SG-26-6
		1/2	SG-26-8
.1562-.3160 5/32-O 4.00-8.00mm	1/2 .525-.510	3/4	SG-26-12
		*1	SG-26-16
		5/16	SG-32-5
		3/8	SG-32-6
		1/2	SG-32-8
.3125-.4375 5/16-7/16 7.90-11.00mm	5/8 .650-.635	3/4	SG-32-12
		*1	SG-32-16
		3/8	SG-40-6
		1/2	SG-40-8
		3/4	SG-40-12
.3125-.5312 5/16-17/32 8.00-13.00mm	3/4 .775-.760	1	SG-40-16
		1-3/8	SG-40-22
		3/8	SG-48-6
		1/2	SG-48-8
		3/4	SG-48-12
.5000-.6562 1/2-21/32 13.00-16.50mm	7/8 .900-.885	1	SG-48-16
		1-3/8	SG-48-22
		3/8	SG-56-6
		1/2	SG-56-8
		3/4	SG-56-12
.5000-.7656 1/2-49/64 13.00-19.00mm	1 1.035-1.010	1	SG-56-16
		1-3/8	SG-56-22
		1/2	SG-64-8
		3/4	SG-64-12
		1	SG-64-16
		1-3/8	SG-64-22
		1-1/2	SG-64-24

* **INFO+**: Counterbored, leaving correct drill-bearing length and clearance (see page 532 for bearing length).

DIAMOND-KNURL UN-A-LOK™ LINER BUSHINGS

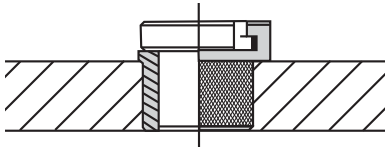


INCH			
BODY OD	E	F DIA	G
5/16	1/4	.365	3/32
1/2	3/8	9/16	3/32
3/4	1/2	13/16	3/32
1	21/32	1-1/16	1/8
1-3/8	7/8	1-7/16	1/8

METRIC			
BODY OD	E	F DIA	G
12mm	9.5mm	15mm	3mm
15mm	11mm	18mm	3mm
18mm	13mm	22mm	4mm
22mm	15.5mm	26mm	4mm
26mm	17.5mm	30mm	4mm

APPLICATIONS:

A liner for cast-in-place or potted installation, used to hold SF renewable drill bushings. Un-A-Lok™ liners incorporate a special locking tab that eliminates the need for a lockscrew. Holds only the "slip" side of an SF bushing, not the "fixed" side. Diamond-knurled OD provides superior holding strength against both rotational and axial forces. Since the bushing's OD is not ground, keep the ID accurately located during casting or potting to ensure accuracy in the finished tool.



ORDERING EXAMPLES:

ULD-20-5 Standard inch liner bushing
 ULDM-12-10 Standard metric liner bushing

STANDARD LINER ID TOLERANCES:

3/16 to 5/16"	+0.001/+0.004	8 to 10mm	+0.05/+0.14mm
1/2"	+0.002/+0.005	12 to 18mm	+0.06/+0.17mm
3/4"	+0.003/+0.006		(G6 tolerance)
1"	+0.004/+0.007		

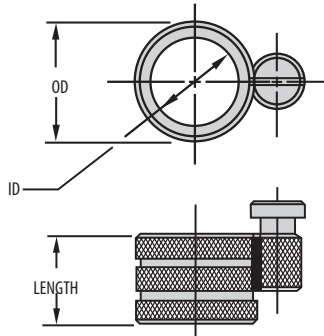
INCH

ID	OD	LENGTH	PART NO.
3/16	5/16 .342-.332	5/16	ULD-20-5
		3/8	ULD-20-6
		1/2	ULD-20-8
		3/4	ULD-20-12
5/16	1/2 .533-.523	3/8	ULD-32-6
		1/2	ULD-32-8
		3/4	ULD-32-12
		1/2	ULD-48-8
1/2	3/4 .785-.775	3/4	ULD-48-12
		1	ULD-48-16
		1/2	ULD-64-8
3/4	1 1.035-1.025	3/4	ULD-64-12
		1	ULD-64-16
		1/2	ULD-88-8
1	1-3/8 1.415-1.405	3/4	ULD-88-12
		1	ULD-88-16
		1-3/8	ULD-88-22

METRIC

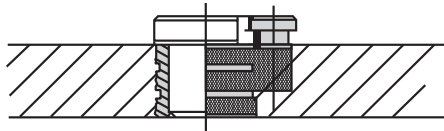
ID (G6)	OD	LENGTH	PART NO.
8mm	12mm 12.65-12.25mm	10mm	ULDM-12-10
		16mm	ULDM-12-16
10mm	15mm 15.65-15.25mm	12mm	ULDM-15-12
		20mm	ULDM-15-20
		25mm	ULDM-15-25
12mm	18mm 18.65-18.25mm	12mm	ULDM-18-12
		20mm	ULDM-18-20
		25mm	ULDM-18-25
15mm	22mm 22.65-22.25mm	16mm	ULDM-22-16
		28mm	ULDM-22-28
		36mm	ULDM-22-36
18mm	26mm 26.90-26.25mm	16mm	ULDM-26-16
		28mm	ULDM-26-28
		36mm	ULDM-26-36

EZ-CAST LINER BUSHINGS



APPLICATIONS:

Another liner for cast-in-place or potted installation, used to hold SF renewable drill bushings. Unlike diamond-knurled unilock liners, EZ-cast liners hold either the "slip" or "fixed" side of an SF bushing, since they include an integral lockscrew holder. Diamond-knurled OD provides superior holding strength against both rotational and axial forces. Since the bushing's OD is not ground, keep the ID accurately located during casting or potting to ensure accuracy in the finished tool.



ORDERING EXAMPLE:

EZ-32-8 Standard inch liner bushing

STANDARD LINER ID TOLERANCES:

5/16"	+0.001/+0.004
1/2"	+0.002/+0.005
3/4"	+0.003/+0.006
1"	+0.004/+0.007

ID RANGE	OD	LENGTH	PART NO.
5/16 .3126-.3129	1/2 .525-.510	1/2	EZ-32-8
		3/4	EZ-32-12
		1	EZ-32-16
1/2 .5002-.5005	3/4 .775-.760	1/2	EZ-48-8
		3/4	EZ-48-12
		1	EZ-48-16
		1-3/8	EZ-48-22
3/4 .7503-.7506	1 1.035-1.010	1/2	EZ-64-8
		3/4	EZ-64-12
		1	EZ-64-16
		1-3/8	EZ-64-22
1 1.0004-1.0007	1-3/8 1.410-1.385	3/4	EZ-88-12
		1	EZ-88-16
		1-3/8	EZ-88-22

Carr Lane
MANUFACTURING CO.

Hoist Rings



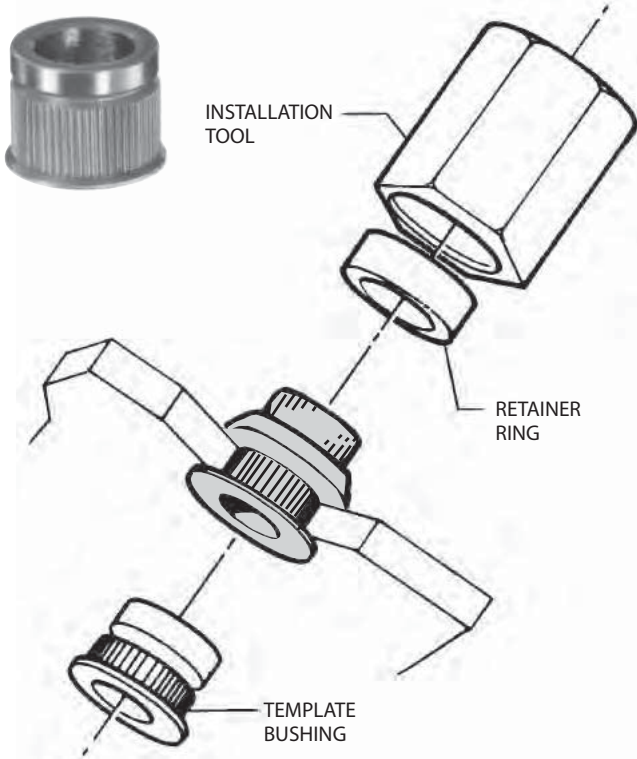
Many Varieties
Of Hoist Rings

Trusted to Move Your Most Important Materials.

- Swivel Hoist Rings
- Safety Hoist Rings
- Pivoting Hoist Rings
- Lifting Eyes
- Side-Pull Hoist Rings

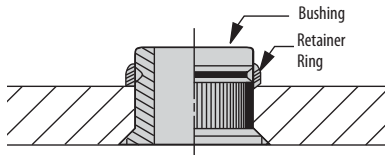
SEE PAGES 65-82

TEMPLATE BUSHINGS



APPLICATIONS:

An economical bushing designed for thin template jig plates from 1/16 to 3/8" thick. Bushings are held in place by a Retainer Ring (order Retainer Ring and Installation Tool separately). The OD serrations prevent the bushing from spinning. Bushings can be removed and reused by breaking the aluminum Retainer Ring (extra rings available separately).



ORDERING EXAMPLES:

TB-24-6-4-.1250 Bushing with 1/8" ID
 TR-10 Matching Retainer Ring for 1/16" thick template
 TR-30 Matching Retainer Ring for 1/8" thick template

Standard prices apply only to bushings with a standard-drill-size ID within the stated ID range. See catalog back cover for standard drill sizes and their decimal equivalents. For prices on non-standard ID sizes, including reamer-tolerance and tap-guide bushings, please contact factory.

STANDARD ID TOLERANCES:

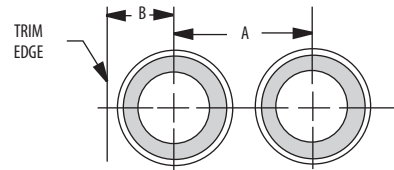
#55 to 1/2" +.0001/+0.011 | 1.30 to 12mm +.002/+0.030mm

CONCENTRICITY:

ID concentric with OD to within .002 TIR

INSTALLATION STEPS

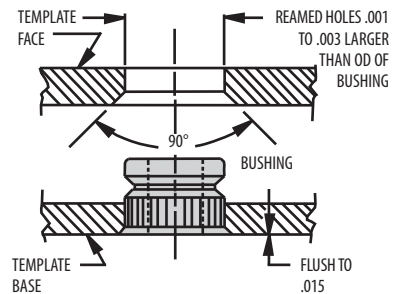
1. LAY OUT HOLES



When laying out holes, observe the minimum hole spacing and edge distance listed below:

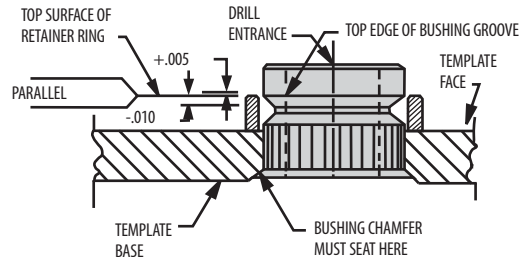
BUSHING OD	A MINIMUM	B MINIMUM
3/8	.60	.250
1/2	.73	.312
3/4	.98	.438

2. REAM AND COUNTERSINK



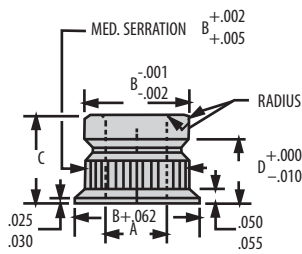
Ream hole .001 to .003 larger than bushing OD. Countersink reamed hole to allow the bushing to seat .015 below flush with surface. For best results, use a piloted countersink tool so that the countersink is concentric and free of chatter marks.

3. INSTALL



Install Retainer Ring with an arbor press whenever possible. The Installation Tool is also tapped for mounting on a rivet gun or other impact tool. Check that Retainer Ring top surface is within +.005 / -.010 of the bushing groove's top edge before installing.

TEMPLATE BUSHINGS

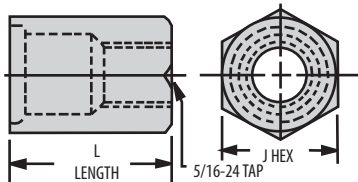
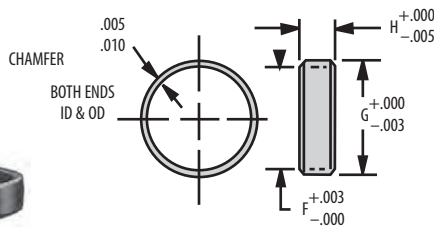


TEMPLATE BUSHINGS AND RETAINER RINGS

ID RANGE A	OD B	LENGTH C	GRIP D	BUSHING PART NO.	RETAINER RING PART NO.	TEMPLATE THICKNESS	
.0520-.1960 #55-#9 1.30-5.00mm	3/8	3/8	1/4	TB-24-6-4	TR-10	1/16	
			5/16	TB-24-6-5	TR-20	3/32	
		1/2	5/16	TB-24-8-5	TR-30	1/8	
			3/8	TB-24-8-6	TR-10	1/8	
			7/16	TB-24-8-7	TR-30	3/16	
	.1960-.3160 #9-O 5.00-8.00mm	1/2	3/8	1/4	TB-32-6-4	TR-10	1/16
				5/16	TB-32-6-5	TR-20	3/32
			1/2	5/16	TB-32-8-5	TR-30	1/8
				3/8	TB-32-8-6	TR-40	3/16
				7/16	TB-32-8-7	TR-60	1/4
5/8		1/2	TB-32-10-8	TR-40	5/16		
.3125-.5000 5/16-1/2 8.00-12.00mm		3/4	3/8	1/4	TB-48-6-4	TR-40	1/8
				5/16	TB-48-6-5	TR-60	3/16
			1/2	5/16	TB-48-8-5	TR-70	1/8
				3/8	TB-48-8-6	TR-90	3/16
	7/16			TB-48-8-7	TR-70	1/4	
	5/8	1/2	TB-48-10-8	TR-90	5/16		
					TR-70	5/16	
					TR-80	3/32	
					TR-90	1/8	
					TR-70	1/8	
				TR-90	3/16		
				TR-70	3/16		
				TR-90	1/4		
				TR-70	1/4		
				TR-90	5/16		
				TR-70	5/16		
				TR-90	3/8		

EXTRA RETAINER RINGS

PART NO.	OD B	G OD	H
TR-10	.375	.468	.205
TR-20			.173
TR-30			.142
TR-40	.500	.593	.205
TR-50			.173
TR-60			.142
TR-70	.750	.843	.205
TR-80			.173
TR-90			.142



INSTALLATION TOOLS

PART NO.	FOR BUSHING SERIES	FOR RING SERIES	J	L	COMPLETE SET
					PART NO.
TBT-100	TB-24	TR-10,TR-20,TR-30	5/8	1	TBT-400
TBT-200	TB-32	TR-40,TR-50,TR-60	3/4	1	
TBT-300	TB-48	TR-70,TR-80,TR-90	1	1	

THREADED TEMPLATE BUSHINGS



Retainer Ring



Threaded Template Bushing

STANDARD ID TOLERANCE:

From #55 to 1/2" +.0001/+0.0015
(ID concentric with OD to within .002" TIR)

INSTALLATION:

Drill hole in jig plate to nominal bushing OD (B diameter). Countersink 90° to allow bushing to seat flush to .015" below surface of plate (standard version only, not flanged version). Install and tighten Retainer Ring to secure. To make Retainer Ring installation easier, we offer a handy Socket-Type Installation Tool that fits 1/4" square drives.

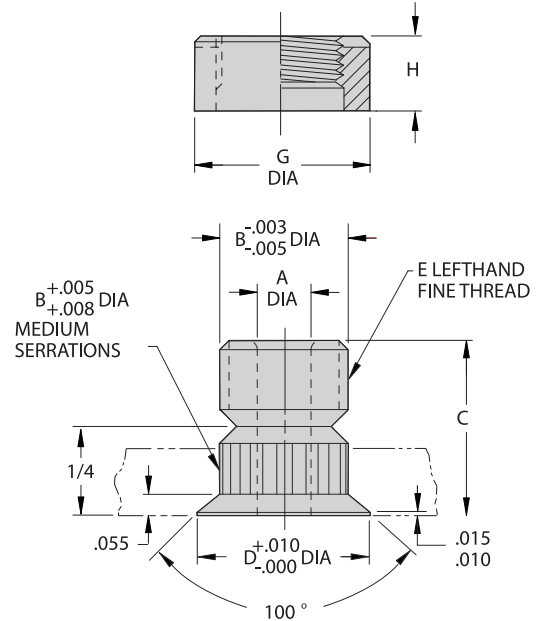
APPLICATIONS:

This economical bushing is designed for thin template jig plates from 3/64 to 3/8" thick. Bushings are held in place by a threaded Retainer Ring (order separately). Left-hand thread is self tightening during drilling to prevent the Retainer Ring from loosening. Flush contact of the Retainer Ring against the jig plate ensures perpendicular drill alignment. OD serrations prevent the bushing from rotating during drilling. Choose standard countersunk type for flush mounting, or flanged type for installation without countersinking the jig plate. Threaded Template Bushings can be easily removed to replace or reuse.

ORDERING EXAMPLES:

Available in 3/8", 1/2", 5/8", 3/4", and 1" OD sizes. Standard prices apply to standard bushings only, with any standard inch or metric ID size within the stated range.

- TTB-24-.1250 Bushing with 1/8" ID
- TTR-24-3 Matching Retainer Ring for 1/4" thick template

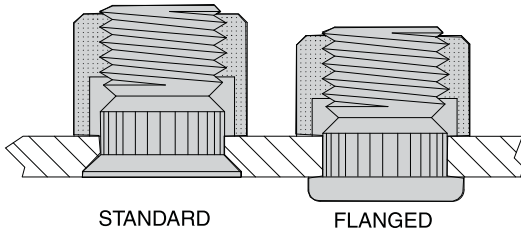


THREADED TEMPLATE BUSHINGS — STANDARD (ORDER BUSHING AND RETAINER RING SEPARATELY)

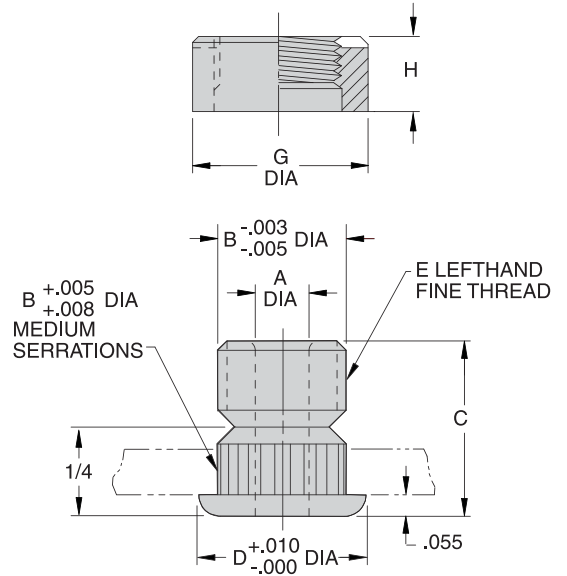
A ID RANGE	B OD	C LENGTH	D DIA	E	G DIA	H	BUSHING PART NO.	RETAINER RING PART NO.	TEMPLATE THICKNESS
.0520-.1960 #55-#9 1.30-5.00mm	3/8	1/2	.475	3/8-24 LH	1/2	3/8	TTB-24	TTR-24-6	3/64-1/8
						5/16		TTR-24-5	9/64-3/16
						3/16		TTR-24-3	13/64-3/8
.1960-.3160 #9-0 5.00-8.00mm	1/2	1/2	.600	1/2-20 LH	5/8	3/8	TTB-32	TTR-32-6	3/64-1/8
						5/16		TTR-32-5	9/64-3/16
						3/16		TTR-32-3	13/64-3/8
.3125-.4375 5/16-7/16 7.90-11.00mm	5/8	1/2	.725	5/8-18 LH	3/4	3/8	TTB-40	TTR-40-6	3/64-1/8
						5/16		TTR-40-5	9/64-3/16
						3/16		TTR-40-3	13/64-3/8
.3125-.5312 5/16-17/32 8.00-13.00mm	3/4	1/2	.850	3/4-16 LH	1	3/8	TTB-48	TTR-48-6	3/64-1/8
						5/16		TTR-48-5	9/64-3/16
						3/16		TTR-48-3	13/64-3/8
.5000-.7656 1/2-49/64 13.00-19.00mm	1	1/2	1.100	1"-14 LH	1-1/4	3/8	TTB-64	TTR-64-6	3/64-1/8
						5/16		TTR-64-5	9/64-3/16
						3/16		TTR-64-3	13/64-3/8

13

THREADED TEMPLATE BUSHINGS

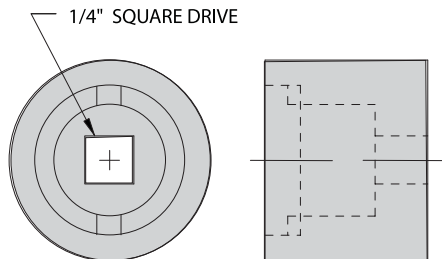


Choose standard countersunk type for flush mounting, or flanged type for installation without countersinking the jig plate.



THREADED TEMPLATE BUSHINGS — FLANGED (ORDER BUSHING AND RETAINER RING SEPARATELY)

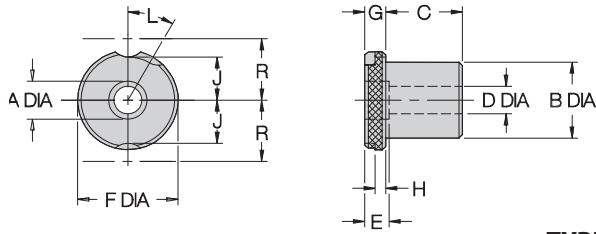
A ID RANGE	B OD	C LENGTH	D DIA	E	G DIA	H	BUSHING PART NO.	RETAINER RING PART NO.	TEMPLATE THICKNESS
.0520-.1960 #55-#9 1.30-5.00mm	3/8	1/2	.475	3/8-24 LH	1/2	3/8	TTBF-24	TTR-24-6	3/64-1/8
						5/16		TTR-24-5	9/64-3/16
						3/16		TTR-24-3	13/64-3/8
.1960-.3160 #9-0 5.00-8.00mm	1/2	1/2	.600	1/2-20 LH	5/8	3/8	TTBF-32	TTR-32-6	3/64-1/8
						5/16		TTR-32-5	9/64-3/16
						3/16		TTR-32-3	13/64-3/8
.3125-.4375 5/16-7/16 7.90-11.00mm	5/8	1/2	.725	5/8-18 LH	3/4	3/8	TTBF-40	TTR-40-6	3/64-1/8
						5/16		TTR-40-5	9/64-3/16
						3/16		TTR-40-3	13/64-3/8
.3125-.5312 5/16-17/32 8.00-13.00mm	3/4	1/2	.850	3/4-16 LH	1	3/8	TTBF-48	TTR-48-6	3/64-1/8
						5/16		TTR-48-5	9/64-3/16
						3/16		TTR-48-3	13/64-3/8
.5000-.7656 1/2-49/64 13.00-19.00mm	1	5/8	1.100	1"-14 LH	1-1/4	3/8	TTBF-64	TTR-64-6	3/64-1/8
						5/16		TTR-64-5	9/64-3/16
						3/16		TTR-64-3	13/64-3/8



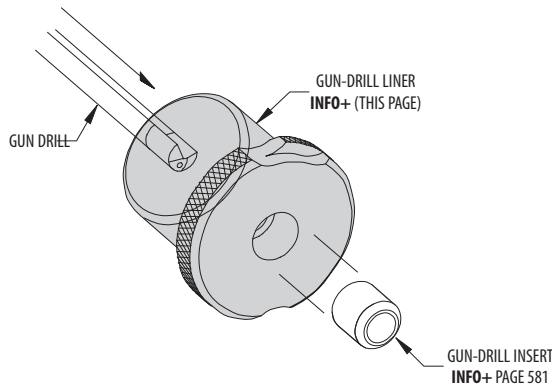
SOCKET-TYPE INSTALLATION TOOLS

PART NO.	FOR INSTALLING RETAINER RINGS		
TTBT-24	TTR-24-3	TTR-24-5	TTR-24-6
TTBT-32	TTR-32-3	TTR-32-5	TTR-32-6
TTBT-40	TTR-40-3	TTR-40-5	TTR-40-6
TTBT-48	TTR-48-3	TTR-48-5	TTR-48-6
TTBT-64	TTR-64-3	TTR-64-5	TTR-64-6

GUN DRILL BUSHINGS



BODY OD	E	F DIA	G	H	J	L	R	LOCK SCREW
1	7/16	1-27/64	3/8	3/16	19/32	35°	59/64	LS-2
1-3/8	7/16	1-51/64	3/8	3/16	25/32	30°	1-7/64	LS-2
1-3/4	3/4	2-19/64	3/8	3/16	1	30°	1-25/64	LS-2

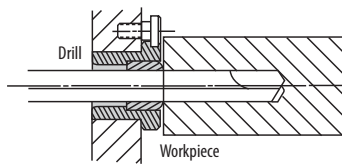


TYPE GDL GUN-DRILL LINER

A ID	B OD	C LENGTH	D	PART NO.	LOCK SCREW
13/64	1	1	1/8	GDL-64-16-13	LS-2
1/4			5/32	GDL-64-16-16	
5/16			7/32	GDL-64-16-20	
1/2			11/32	GDL-64-16-32	
3/4			9/16	GDL-64-16-48	
13/64	1-3/8	1-3/8	1/8	GDL-88-22-13	LS-2
1/4			5/32	GDL-88-22-16	
5/16			7/32	GDL-88-22-20	
1/2			11/32	GDL-88-22-32	
3/4			9/16	GDL-88-22-48	
1	1-3/4	1-3/4	51/64	GDL-88-22-64	LS-2
13/64			1/8	GDL-112-28-13	
1/4			5/32	GDL-112-28-16	
5/16			7/32	GDL-112-28-20	
1/2			11/32	GDL-112-28-32	
3/4	9/16	GDL-112-28-48	1-3/8	GDL-112-28-64	
1	1-3/64	GDL-112-28-88			

APPLICATIONS:

These bushings are for gun-drilling machines, such as Eldorado, Drillmation, deHoff, and Lahr. Gun-drill bushings are similar to SF renewable bushings, but with the drill bearing at the bushing's head end. Depending on the gun-drilling machine, bushings are either one-piece or two-piece (a liner and an insert).



ORDERING EXAMPLE:

GDL-112-28-20 Liner for any insert with a 5/16 OD

Standard prices apply only to bushings with a standard-drill-size ID within the stated ID range. See catalog back cover for standard drill sizes and their decimal equivalents. For prices on non-standard ID sizes, including reamer-tolerance and tap-guide bushings, please contact factory.

STANDARD LINER ID TOLERANCES:

13/64"	+0.0014/+0.0016
1/4 to 5/16"	+0.0015/+0.0017
1/2"	+0.0016/+0.0018
3/4 to 1"	+0.0017/+0.0019
1-3/8"	+0.0021/+0.0023

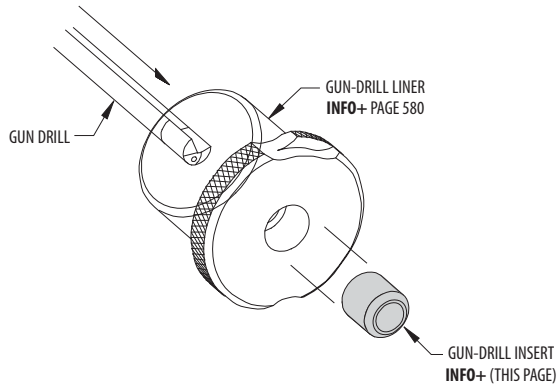
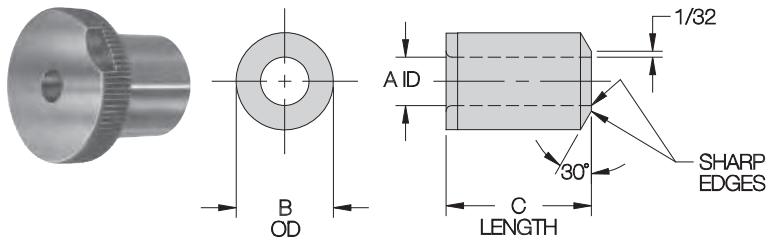
Visit Our Redesigned Website

- Product Catalog
- Customer Service
- Free CAD Drawings
- Videos
- Engineering Resources



Visit CarrLane.com

GUN DRILL BUSHINGS



TYPE GDI GUN-DRILL INSERTS

A ID	B OD	C LENGTH	PART NO.	MATCHING LINER
.0635-.0995 #52-#39 1.65-2.50mm	13/64 .2046-.2043	1/2	GDI-13-8	GDL-64-16-13
		3/4	GDI-13-12	GDL-88-22-13
		1	GDI-13-16	GDL-112-28-13
.0980-.1406 #40-9/64 2.50-3.50mm	1/4 .2516-.2513	1/2	GDI-16-8	GDL-64-16-16
		3/4	GDI-16-12	GDL-88-22-16
		1	GDI-16-16	GDL-112-28-16
.1250-.1935 1/8-#10 3.20-4.90mm	5/16 .3141-.3138	1/2	GDI-20-8	GDL-64-16-20
		3/4	GDI-20-12	GDL-88-22-20
		1	GDI-20-16	GDL-112-28-20
.1875-.3160 3/16-O 4.80-8.00mm	1/2 .5017-.5014	1/2	GDI-32-8	GDL-64-16-32
		3/4	GDI-32-12	GDL-88-22-32
		1	GDI-32-16	GDL-112-28-32
.3125-.5312 5/16-17/32 8.00-13.50mm	3/4 .7518-.7515	1/2	GDI-48-8	GDL-64-16-48
		3/4	GDI-48-12	GDL-88-22-48
		1	GDI-48-16	GDL-112-28-48
.5000-.7656 1/2-49/64 13.00-19.00mm	1 1.0018-1.0015	3/4	GDI-64-12	GDL-88-22-64
		1	GDI-64-16	GDL-112-28-64
.6250-1.0312 5/8-1-1/32 16.00-26.00mm	1-3/8 1.3772-1.3768	1	GDI-88-16	GDL-112-28-88

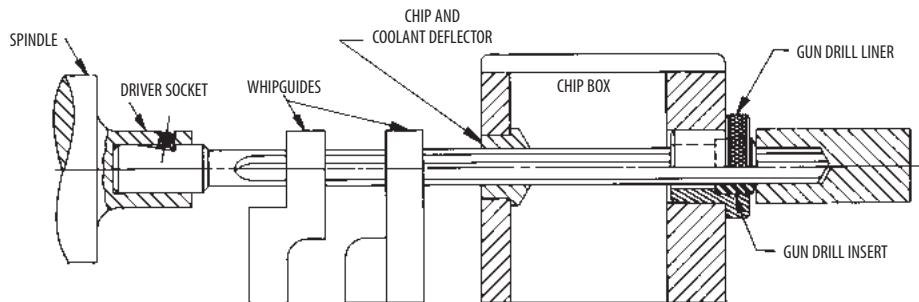
ORDERING EXAMPLES:

- GDI-20-16-.1250 Gun-drill insert for 1-3/4" OD liner
- GDI-20-16-.1772 Gun-drill insert for 1-3/4" OD liner
- GDL-112-28-20, inch ID Gun-drill insert for 1-3/4" OD liner
- GDL-112-28-20, mm ID (.1772 = 4.50mm)

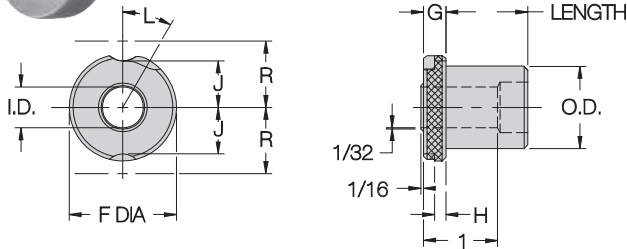
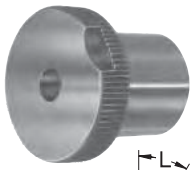
Standard prices apply only to bushings with a standard-drill-size ID within the stated ID range. See catalog back cover for standard drill sizes and their decimal equivalents. For prices on non-standard ID sizes, including reamer-tolerance and tap-guide bushings, please contact factory.

STANDARD ID TOLERANCES:

#52 to 1-1/32" -0.000/+0.002 | 1.65 to 26mm -0.00/+0.005mm



GUN DRILL BUSHINGS



BODY OD	F DIA	G	H	J	L	R
1	1-27/64	3/8	3/16	19/32	35°	59/64
1-3/8	1-51/64	3/8	3/16	25/32	30°	1-7/64

ORDERING EXAMPLES:

GDE-64-12-.1250 Standard gun-drill bushing, inch ID
 GDE-64-12-.1772 Standard gun-drill bushing, mm ID (.1772 = 4.50mm)

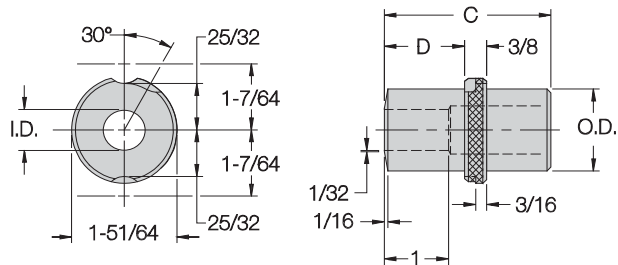
STANDARD ID TOLERANCES:

1/8 to 1-1/16" -0.000/+0.002 | 3 to 27mm -0.00/+0.005mm

TYPE GDE

ONE-PIECE ELDORADO TYPE

ID RANGE	OD	LENGTH	PART NO.	LOCK SCREW
.1250-.7812 1/8-25/32 3.20-19.50mm	1 1.0000-.9998	3/4	GDE-64-12	LS-2
		1	GDE-64-16	
		1-3/8	GDE-64-22	
.1250-1.0625 1/8-1-1/16 3.20-27.00mm	1-3/8 1.3750-1.3747	1	GDE-88-16	LS-2
		1-3/8	GDE-88-22	



ORDERING EXAMPLES:

GDD-88-30-.1250 Standard gun-drill bushing, inch ID
 GDD-88-30-.1772 Standard gun-drill bushing, mm ID (.1772 = 4.50mm)

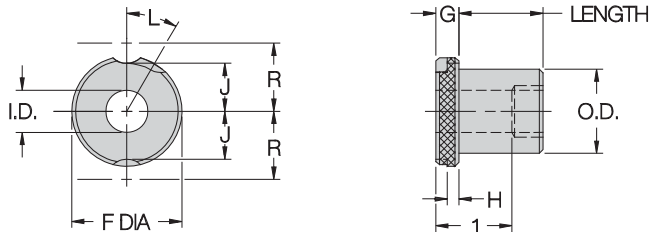
STANDARD ID TOLERANCES:

1/8 to 1-1/16" -0.000/+0.002 | 3 to 27mm -0.00/+0.005mm

TYPE GDD

ONE-PIECE ELDORADO DEEP TYPE

ID RANGE	OD	C LENGTH	D EXT.	PART NO.	LOCK SCREW
.1250-1.0625 1/8-1-1/16 3.20-27.00mm	1-3/8 1.3750-1.3747	1-7/8	1/2	GDD-88-30	LS-2
		2-3/8	1	GDD-88-38	
		2-7/8	1-1/2	GDD-88-46	
		3-3/8	2	GDD-88-54	



BODY OD	F DIA	G	H	J	L	R
1	1-27/64	3/8	3/16	19/32	35°	59/64
1-3/8	1-51/64	3/8	3/16	25/32	30°	1-7/64

ORDERING EXAMPLES:

GDH-64-12-.1250 Standard gun-drill bushing, inch ID
 GDH-64-12-.1772 Standard gun-drill bushing, mm ID (.1772 = 4.50mm)

STANDARD ID TOLERANCES:

1/8 to 1-1/16" -0.000/+0.002 | 3 to 27mm -0.00/+0.005mm

TYPE GDH

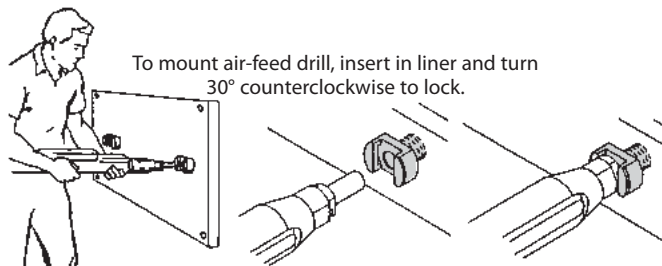
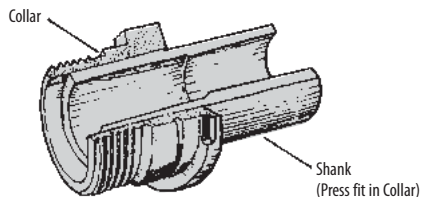
ONE-PIECE DEHOFF TYPE

ID RANGE	OD	LENGTH	PART NO.	LOCK SCREW
.1250-.7812 1/8-25/32 3.20-19.50mm	1 1.0000-.9998	3/4	GDH-64-12	LS-2
		1	GDH-64-16	
		1-3/8	GDH-64-22	
.1250-1.0625 1/8-1-1/16 3.20-27.00mm	1-3/8 1.3750-1.3747	1	GDH-88-16	LS-2
		1-3/8	GDH-88-22	

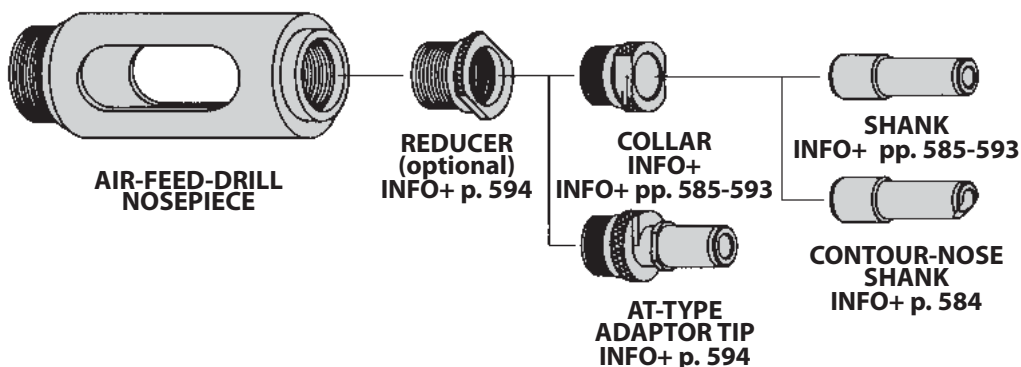
AIR FEED BUSHINGS



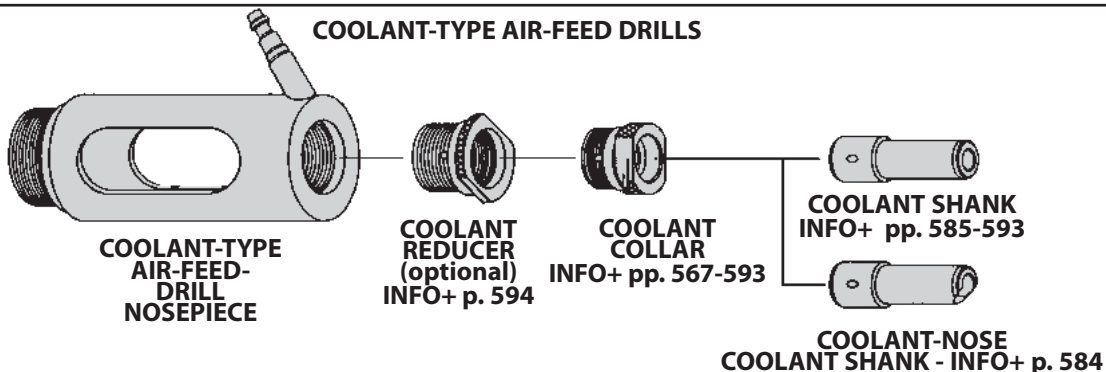
ADAPTOR TIP ASSEMBLY



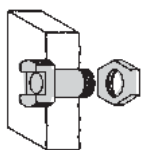
STANDARD AIR-FEED DRILLS



COOLANT-TYPE AIR-FEED DRILLS

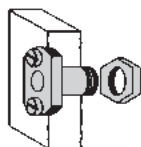


MOUNTING OPTIONS



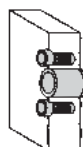
TAPER-LOK LINERS
INFO+ p. 595

New-design one-piece lock liner has angular locking surfaces for superior strength. Allows very close hole spacing. Hold in place with a lock nut. Also available knurled for installing in plastic tooling.



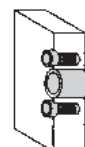
LOCK LINERS
INFO+ p. 595

Conventional lock liner incorporating two lock screws. Hold in place with a lock nut.



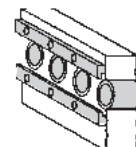
TAPER-LOK AIR-FEED LOCKSCREWS
INFO+ p. 597

New-design lock screw especially for air-feed drills. Angular locking surface for superior strength. Install two lock screws and a liner directly in jig plate.



LOCKSCREWS
INFO+ p. 597

Conventional-style lock screws. Install two lock screws and a liner bushing directly in jig plate.



LOCK STRIPS
INFO+ p. 597

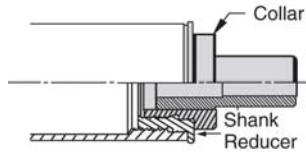
Allows the closest possible hole spacing. Use together with liner bushings.

AIR FEED BUSHINGS



APPLICATIONS:

Drill-bush shanks, collars, adaptors, and locking accessories for air-feed drills, tappers, and back-spotfacers. Available for all standard drill motors, including Gardner-Denver, Keller, Aro, Buckeye, Quackenbush, Desoutter, and Ingersoll-Rand.



CONSTRUCTION:

Adaptor-tip assemblies consist of two pieces: a locking collar and a pressed-in shank. The collar screws into the air-feed-drill nosepiece, precisely aligns the shank, and locks the drill in place by rotating 30° counter-clockwise after mounting. Shanks and collars can be ordered separately for replacement purposes.

ORDERING EXAMPLES:

A-21101-.1250	Complete adaptor-tip assembly
21101-.1250	Shank only
21000	Collar only
A-21101-.1250-C	Complete assembly with contour nose
21101-.1250-C	Shank only, with contour nose
A-11101-.1250	Coolant-type assembly
A-11101-.1250-C	Coolant-type assembly with contour nose

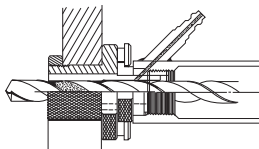
Standard prices apply only to bushings with a standard-drill-size ID within the stated ID range. See catalog back cover for standard drill sizes and their decimal equivalents. For prices on non-standard ID sizes, including reamer-tolerance and tap-guide bushings, please contact factory.

STANDARD ID TOLERANCES:

From #70 to 1/4"	+0.001/+0.004	From 1 to 3mm	+0.02/+0.08mm
Over 1/4 to 3/4"	+0.001/+0.005	Over 3 to 6mm	+0.04/+0.12mm
Over 3/4 to 1-1/2"	+0.002/+0.006	Over 6 to 10mm	+0.05/+0.14mm
		Over 10 to 18mm	+0.06/+0.17mm
AT-Type	+0.000/+0.003	Over 18 to 30mm	+0.07/+0.20mm

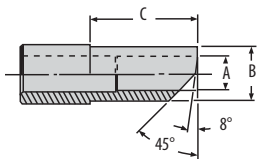
(INFO+: See page 537 for reamer ID tolerances.)

OPTIONAL COOLANT TYPE:



For coolant-inducing air-feed drills. Special shanks, collars, and reducers with internal coolant passages. Contact factory for pricing.

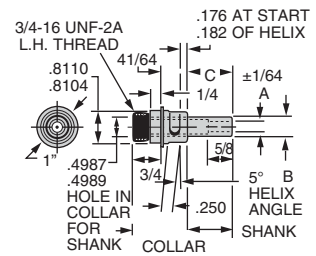
OPTIONAL CONTOUR NOSE:



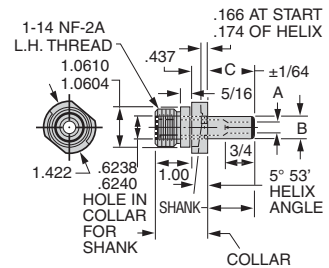
Angular-nose shank recommended for close drilling along sloped or curved surfaces. Available on standard and coolant-type shanks. To order, add "-C" suffix to part number. Contact factory for pricing.

ADAPTOR TIP ASSEMBLIES

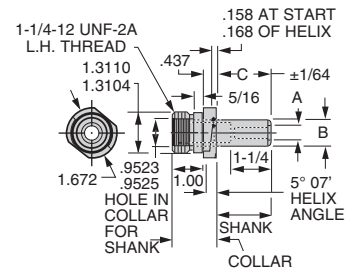
21000 SERIES



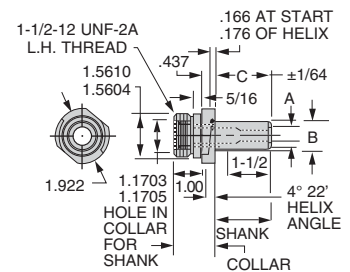
22000 SERIES



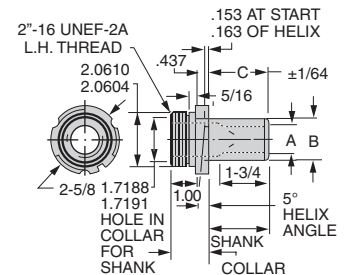
23000 SERIES



24000 SERIES



25000 SERIES



AIR FEED BUSHINGS



21000 SERIES

A ID RANGE	B OD	C LENGTH	TIP ASSEMBLY		SHANK ONLY		COLLAR ONLY		TAPER-LOK LINER PART NO. p. 593	LOCK LINER PART NO. p. 593	LOCK NUT PART NO. p. 593	TAPER-LOK LOCKSCREW PART NO. p. 595	LOCK SCREW PART NO. p. 595	LINER PART NO. p. 595
			STANDARD TYPE PART NO.	COOLANT TYPE PART NO.	STANDARD TYPE PART NO.	COOLANT TYPE PART NO.	STANDARD TYPE PART NO.	COOLANT TYPE PART NO.						
.0938-.2500 3/32-1/4 2.40-6.35mm	3/8 .3748-.3745	3/8	A-21101	A-11101	21101	11101			TLL-16520 (Matches A-21106 tip)	A-16520 (Matches A-16500 tip)	14441			19936
		1/2	A-21102	A-11102	21102	11102								
		5/8	A-21103	A-11103	21103	11103								
		3/4	A-21104	A-11104	21104	11104								
		7/8	A-21105	A-11105	21105	11105								
		1	A-21106	A-11106	21106	11106								
		1-1/16	A-16500	A-11107	16500	11107								
		1-1/8	A-21108	A-11108	21108	11108								
		1-1/4	A-21110	A-11110	21110	11110								
		1-3/8	A-21111	A-11111	21111	11111								
		1-1/2	A-21113	A-11113	21113	11113								
		1-5/8	A-21114	A-11114	21114	11114								
		1-3/4	A-21115	A-11115	21115	11115								
		1-7/8	A-21116	A-11116	21116	11116								
		2	A-21118	A-11118	21118	11118								
		2-1/8	A-21119	A-11119	21119	11119								
		2-1/4	A-21120	A-11120	21120	11120								
		2-3/8	A-21121	A-11121	21121	11121								
		2-1/2	A-21122	A-11122	21122	11122								
		2-3/4	A-21124	A-11124	21124	11124								
		3	A-21125	A-11125	21125	11125								
3-1/4	A-21126	A-11126	21126	11126										
6	A-21131	A-11131	21131	11131										
.0938-.3125 3/32-5/16 2.40-7.90mm	7/16 .4373-.4370	1/2	A-21202	A-11202	21202	11202	21000	11000				CL-11-AFL or CL-13-AFL or CL-14-AFL	16531	19937
		5/8	A-21203	A-11203	21203	11203								
		3/4	A-21204	A-11204	21204	11204								
		7/8	A-21205	A-11205	21205	11205								
		1	A-21206	A-11206	21206	11206								
		1-1/8	A-21208	A-11208	21208	11208								
		1-1/4	A-21210	A-11210	21210	11210								
		1-3/8	A-21211	A-11211	21211	11211								
		1-1/2	A-21213	A-11213	21213	11213								
		1-5/8	A-21214	A-11214	21214	11214								
		1-3/4	A-21215	A-11215	21215	11215								
		1-7/8	A-21216	A-11216	21216	11216								
		2	A-21218	A-11218	21218	11218								
		2-1/8	A-21219	A-11219	21219	11219								
		2-1/4	A-21220	A-11220	21220	11220								
		2-3/8	A-21221	A-11221	21221	11221								
		2-1/2	A-21222	A-11222	21222	11222								
		2-3/4	A-21224	A-11224	21224	11224								
		3	A-21225	A-11225	21225	11225								
		3-1/4	A-21226	A-11226	21226	11226								
		3/8	A-21301	A-11301	21301	11301								
.0938-.3750 3/32-3/8 2.40-9.50mm	1/2 .4998-.4995	1/2	A-21302	A-11302	21302	11302			TLL-16521 (Matches A-21306 tip)	A-16521 (Matches A-16501 tip)	14442		19938	
		5/8	A-21303	A-11303	21303	11303								
		3/4	A-21304	A-11304	21304	11304								
		7/8	A-21305	A-11305	21305	11305								
		1	A-21306	A-11306	21306	11306								
		1-1/16	A-16501	A-11307	16501	11307								
		1-1/8	A-21308	A-11308	21308	11308								
		1-1/4	A-21310	A-11310	21310	11310								
		1-3/8	A-21311	A-11311	21311	11311								
		1-1/2	A-21313	A-11313	21313	11313								
		1-5/8	A-21314	A-11314	21314	11314								
		1-3/4	A-21315	A-11315	21315	11315								
		1-7/8	A-21316	A-11316	21316	11316								
		2	A-21318	A-11318	21318	11318								
		2-1/8	A-21319	A-11319	21319	11319								
		2-1/4	A-21320	A-11320	21320	11320								
		2-3/8	A-21321	A-11321	21321	11321								
		2-1/2	A-21322	A-11322	21322	11322								
		2-3/4	A-21324	A-11324	21324	11324								
		3	A-21325	A-11325	21325	11325								
		3-1/4	A-21326	A-11326	21326	11326								
		5	A-21330	A-11330	21330	11330								

INFO++

AIR FEED BUSHINGS



22000 SERIES

A ID RANGE	B OD	C LENGTH	TIP ASSEMBLY		SHANK ONLY		COLLAR ONLY		TAPER-LOK LINER PART NO. p. 593	LOCK LINER PART NO. p. 593	LOCK NUT PART NO. p. 593	TAPER-LOK LOCKSREW PART NO. p. 595	LOCK SCREW PART NO. p. 595	LINER PART NO. p. 595			
			STANDARD TYPE PART NO.	COOLANT TYPE PART NO.	STANDARD TYPE PART NO.	COOLANT TYPE PART NO.	STANDARD TYPE PART NO.	COOLANT TYPE PART NO.									
.1875-.2812 3/16-9/32 4.80-7.10mm	7/16 .4373-.4370	3/8	A-22101	A-12101	22101	12101											
		1/2	A-22102	A-12102	22102	12102											
		5/8	A-22103	A-12103	22103	12103											
		3/4	A-22104	A-12104	22104	12104											
		7/8	A-22105	A-12105	22105	12105											
		1	A-22106	A-12106	22106	12106											
		1-1/8	A-22108	A-12108	22108	12108											
		1-1/4	A-22110	A-12110	22110	12110											
		1-3/8	A-22111	A-12111	22111	12111											
		1-1/2	A-22113	A-12113	22113	12113											
		1-5/8	A-22114	A-12114	22114	12114											
		1-3/4	A-22115	A-12115	22115	12115											
		1-7/8	A-22116	A-12116	22116	12116										19937	
		2	A-22118	A-12118	22118	12118											
		2-1/8	A-22119	A-12119	22119	12119											
		2-1/4	A-22120	A-12120	22120	12120											
		2-3/8	A-22121	A-12121	22121	12121											
		2-1/2	A-22122	A-12122	22122	12122											
		2-3/4	A-22124	A-12124	22124	12124											
		3	A-22125	A-12125	22125	12125											
		3-1/4	A-22126	A-12126	22126	12126											
		3-1/2	A-22127	A-12127	22127	12127											
		3-3/4	A-22128	A-12128	22128	12128											
		4	A-22129	A-12129	22129	12129											
		5	A-22130	A-12130	22130	12130											
		6	A-22131	A-12131	22131	12131											
		.1875-.3438 3/16-11/32 4.80-8.70mm	1/2 .4998-.4995	1/2	A-22202	A-12202	22202	12202									
				5/8	A-22203	A-12203	22203	12203									
3/4	A-22204			A-12204	22204	12204											
7/8	A-22205			A-12205	22205	12205											
1	A-22206			A-12206	22206	12206	22000						CL-11-AFL or CL-13-AFL or CL-14-AFL				
1-1/8	A-22208			A-12208	22208	12208	12000										
1-1/4	A-22210			A-12210	22210	12210											
1-3/8	A-22211			A-12211	22211	12211											
1-1/2	A-22213			A-12213	22213	12213											
1-5/8	A-22214			A-12214	22214	12214											
1-3/4	A-22215			A-12215	22215	12215											
1-7/8	A-22216			A-12216	22216	12216											
2	A-22218			A-12218	22218	12218											
2-1/8	A-22219			A-12219	22219	12219											
2-1/4	A-22220			A-12220	22220	12220											
2-3/8	A-22221			A-12221	22221	12221											
2-1/2	A-22222			A-12222	22222	12222											
2-3/4	A-22224			A-12224	22224	12224											
3	A-22225			A-12225	22225	12225											
3-1/4	A-22226			A-12226	22226	12226											
3-1/2	A-22227			A-12227	22227	12227											
3-3/4	A-22228			A-12228	22228	12228											
4	A-22229			A-12229	22229	12229											
5	A-22230			A-12230	22230	12230											
6	A-22231			A-12231	22231	12231											
.1875-.4062 3/16-13/32 4.80-10.20mm	9/16 .5623-.5620			5/8	A-22303	A-12303	22303	12303									
				3/4	A-22304	A-12304	22304	12304									
				7/8	A-22305	A-12305	22305	12305									
		1	A-22306	A-12306	22306	12306											
		1-1/8	A-22308	A-12308	22308	12308											
		1-1/4	A-22310	A-12310	22310	12310											
		1-3/8	A-22311	A-12311	22311	12311											
		1-1/2	A-22313	A-12313	22313	12313											
		1-5/8	A-22314	A-12314	22314	12314											
		1-3/4	A-22315	A-12315	22315	12315											
1-7/8	A-22316	A-12316	22316	12316										19939			

INFO++

CONTINUED ON NEXT PAGE.

AIR FEED BUSHINGS



22000 SERIES (CONT.)

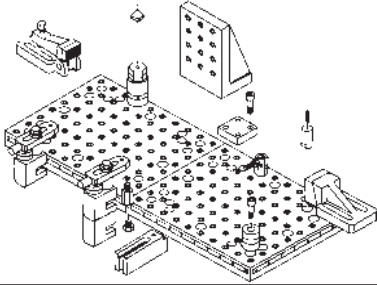
A ID RANGE	B OD	C LENGTH	TIP ASSEMBLY		SHANK ONLY		COLLAR ONLY		TAPER-LOK LINER PART NO. p. 593	LOCK LINER PART NO. p. 593	LOCK NUT PART NO. p. 593	TAPER-LOK LOCKSCREW PART NO. p. 595	LOCK SCREW PART NO. p. 595	LINER PART NO. p. 595
			STANDARD TYPE PART NO.	COOLANT TYPE PART NO.	STANDARD TYPE PART NO.	COOLANT TYPE PART NO.	STANDARD TYPE PART NO.	COOLANT TYPE PART NO.						
CONTINUED FROM PRECEDING PAGE.														
.1875-.4062 3/16-13/32 4.80-10.20mm	9/16 .5623-.5620	2	A-22318	A-12318	22318	12318								
		2-1/8	A-22319	A-12319	22319	12319								
		2-1/4	A-22320	A-12320	22320	12320								
		2-3/8	A-22321	A-12321	22321	12321								
		2-1/2	A-22322	A-12322	22322	12322								
		2-3/4	A-22324	A-12324	22324	12324								
		3	A-22325	A-12325	22325	12325								
		3-1/4	A-22326	A-12326	22326	12326								
		3-1/2	A-22327	A-12327	22327	12327								
		3-3/4	A-22328	A-12328	22328	12328								
		4	A-22329	A-12329	22329	12329								
		5	A-22330	A-12330	22330	12330								
		6	A-22331	A-12331	22331	12331								
		.1875-.4688 3/16-15/32 4.80-11.80mm	5/8 .6248-.6245	3/8	A-22401	A-12401	22401	12401						
1/2	A-22402			A-12402	22402	12402								
5/8	A-22403			A-12403	22403	12403								
3/4	A-22404			A-12404	22404	12404								
7/8	A-22405			A-12405	22405	12405								
1	A-22406			A-12406	22406	12406								
1-1/8	A-22408			A-12408	22408	12408								
1-3/16	A-16502			A-12409	16502	12409								
1-1/4	A-22410			A-12410	22410	12410								
1-3/8	A-22411			A-12411	22411	12411								
1-1/2	A-22413			A-12413	22413	12413								
1-5/8	A-22414			A-12414	22414	12414								
1-3/4	A-22415			A-12415	22415	12415								
1-7/8	A-22416			A-12416	22416	12416								
2	A-22418			A-12418	22418	12418								
2-1/8	A-22419			A-12419	22419	12419								
2-1/4	A-22420			A-12420	22420	12420								
2-3/8	A-22421			A-12421	22421	12421								
2-1/2	A-22422			A-12422	22422	12422								
2-3/4	A-22424			A-12424	22424	12424								
3	A-22425			A-12425	22425	12425								
3-1/4	A-22426			A-12426	22426	12426								
3-1/2	A-22427			A-12427	22427	12427								
3-3/4	A-22428			A-12428	22428	12428								
4	A-22429	A-12429	22429	12429										
5	A-22430	A-12430	22430	12430										
6	A-22431	A-12431	22431	12431										
.1875-.4688 3/16-15/32 4.80-11.80mm	3/4 .7498-.7495	3/4	A-22504	A-12504	22504	12504								
		7/8	A-22505	A-12505	22505	12505								
		1	A-22506	A-12506	22506	12506								
		1-1/8	A-22508	A-12508	22508	12508								
		1-1/4	A-22510	A-12510	22510	12510								
		1-3/8	A-22511	A-12511	22511	12511								
		1-1/2	A-22513	A-12513	22513	12513								
		1-5/8	A-22514	A-12514	22514	12514								
		1-3/4	A-22515	A-12515	22515	12515								
		1-7/8	A-22516	A-12516	22516	12516								
		2	A-22518	A-12518	22518	12518								
		2-1/8	A-22519	A-12519	22519	12519								
		2-1/4	A-22520	A-12520	22520	12520								
		2-3/8	A-22521	A-12521	22521	12521								
		2-1/2	A-22522	A-12522	22522	12522								
		2-3/4	A-22524	A-12524	22524	12524								
		3	A-22525	A-12525	22525	12525								
		3-1/4	A-22526	A-12526	22526	12526								
		3-1/2	A-22527	A-12527	22527	12527								
		3-3/4	A-22528	A-12528	22528	12528								
		4	A-22529	A-12529	22529	12529								
		5	A-22530	A-12530	22530	12530								
		6	A-22531	A-12531	22531	12531								

INFO++

AIR FEED BUSHINGS



Modular Fixturing



- Ideal for temporary fixturing, for one-time jobs, short or prototype production runs, trial fixturing or while permanent fixtures are built or repaired
- Available in mini, standard and heavy sizes
- Wide range of tooling plates and blocks, finish ground, with multipurpose positioning holes
- Order as components, or in handy starter sets

See Modular Fixturing on pages 391-440

23000 SERIES

A ID RANGE	B OD	C LENGTH	TIP ASSEMBLY		SHANK ONLY		COLLAR ONLY		TAPER-LOK LINER PART NO. p. 593	LOCK LINER PART NO. p. 593	LOCK NUT PART NO. p. 593	TAPER-LOK LOCKSCREW PART NO. p. 595	LOCK SCREW PART NO. p. 595	LINER PART NO. p. 595
			STANDARD TYPE PART NO.	COOLANT TYPE PART NO.	STANDARD TYPE PART NO.	COOLANT TYPE PART NO.	STANDARD TYPE PART NO.	COOLANT TYPE PART NO.						
.2500-.5312 1/4-17/32 6.30-13.50mm	3/4 .7498-.7495	3/4	A-23104	A-13104	23104	13104	23000	13000				CL-11-AFL or CL-13-AFL or CL-14-AFL	16532	19942
		7/8	A-23105	A-13105	23105	13105								
		1	A-23106	A-13106	23106	13106								
		1-1/8	A-23108	A-13108	23108	13108								
		1-1/4	A-23110	A-13110	23110	13110								
		1-3/8	A-23111	A-13111	23111	13111								
		1-1/2	A-23113	A-13113	23113	13113								
		1-5/8	A-23114	A-13114	23114	13114								
		1-3/4	A-23115	A-13115	23115	13115								
		1-7/8	A-23116	A-13116	23116	13116								
		2	A-23118	A-13118	23118	13118								
		2-1/8	A-23119	A-13119	23119	13119								
		2-1/4	A-23120	A-13120	23120	13120								
		2-3/8	A-23121	A-13121	23121	13121								
		2-1/2	A-23122	A-13122	23122	13122								
		2-3/4	A-23124	A-13124	23124	13124								
		3	A-23125	A-13125	23125	13125								
		3-1/4	A-23126	A-13126	23126	13126								
		3-1/2	A-23127	A-13127	23127	13127								
		3-3/4	A-23128	A-13128	23128	13128								
		4	A-23129	A-13129	23129	13129								
		5	A-23130	A-13130	23130	13130								
		6	A-23131	A-13131	23131	13131								
		.2500-.5938 1/4-19/32 6.30-15.00mm	13/16 .8123-.8120	3/4	A-23204	A-13204								
7/8	A-23205			A-13205	23205	13205								
1	A-23206			A-13206	23206	13206								
1-1/8	A-23208			A-13208	23208	13208								
1-1/4	A-23210			A-13210	23210	13210								
1-3/8	A-23211			A-13211	23211	13211								
1-1/2	A-23213			A-13213	23213	13213								
1-5/8	A-23214			A-13214	23214	13214								
1-3/4	A-23215			A-13215	23215	13215								
1-7/8	A-23216			A-13216	23216	13216								
2	A-23218			A-13218	23218	13218								
2-1/8	A-23219			A-13219	23219	13219								
2-1/4	A-23220			A-13220	23220	13220								
2-3/8	A-23221			A-13221	23221	13221								
2-1/2	A-23222			A-13222	23222	13222								
2-3/4	A-23224			A-13224	23224	13224								
3	A-23225			A-13225	23225	13225								
3-1/4	A-23226			A-13226	23226	13226								
3-1/2	A-23227			A-13227	23227	13227								
3-3/4	A-23228			A-13228	23228	13228								
4	A-23229			A-13229	23229	13229								
5	A-23230			A-13230	23230	13230								
6	A-23231			A-13231	23231	13231								

INFO++

AIR FEED BUSHINGS



2300 SERIES (CONT.)

A ID RANGE	B OD	C LENGTH	TIP ASSEMBLY		SHANK ONLY		COLLAR ONLY		TAPER-LOK LINER PART NO. p. 593	LOCK LINER PART NO. p. 593	LOCK NUT PART NO. p. 593	TAPER-LOK LOCKSCREW PART NO. p. 595	LOCK SCREW PART NO. p. 595	LINER PART NO. p. 595		
			STANDARD TYPE PART NO.	COOLANT TYPE PART NO.	STANDARD TYPE PART NO.	COOLANT TYPE PART NO.	STANDARD TYPE PART NO.	COOLANT TYPE PART NO.								
.2500-.6562 1/4-21/32 6.30-16.50mm	7/8 .8748-.8745	3/4	A-23304	A-13304	23304	13304										
		7/8	A-23305	A-13305	23305	13305										
		1	A-23306	A-13306	23306	13306										
		1-1/8	A-23308	A-13308	23308	13308										
		1-1/4	A-23310	A-13310	23310	13310										
		1-3/8	A-23311	A-13311	23311	13311										
		1-7/16	A-16503	A-13312	16503	13312										
		1-1/2	A-23313	A-13313	23313	13313										
		1-5/8	A-23314	A-13314	23314	13314										
		1-3/4	A-23315	A-13315	23315	13315										
		1-7/8	A-23316	A-13316	23316	13316										
		2	A-23318	A-13318	23318	13318										
		2-1/8	A-23319	A-13319	23319	13319										
		2-1/4	A-23320	A-13320	23320	13320										
		2-3/8	A-23321	A-13321	23321	13321										
		2-1/2	A-23322	A-13322	23322	13322										
		2-3/4	A-23324	A-13324	23324	13324										
		3	A-23325	A-13325	23325	13325										
		3-1/4	A-23326	A-13326	23326	13326										
		3-1/2	A-23327	A-13327	23327	13327										
		3-3/4	A-23328	A-13328	23328	13328										
		4	A-23329	A-13329	23329	13329										
		5	A-23330	A-13330	23330	13330										
		6	A-23331	A-13331	23331	13331										
		.2500-.7188 1/4-23/32 6.30-18.00mm	1 .9998-.9995	1	A-23406	A-13406	23406	13406								
				1-1/8	A-23408	A-13408	23408	13408								
				1-1/4	A-23410	A-13410	23410	13410								
				1-3/8	A-23411	A-13411	23411	13411								
1-1/2	A-23413			A-13413	23413	13413										
1-5/8	A-23414			A-13414	23414	13414										
1-3/4	A-23415			A-13415	23415	13415										
1-7/8	A-23416			A-13416	23416	13416										
2	A-23418			A-13418	23418	13418										
2-1/8	A-23419			A-13419	23419	13419										
2-1/4	A-23420			A-13420	23420	13420										
2-3/8	A-23421			A-13421	23421	13421										
2-1/2	A-23422			A-13422	23422	13422										
2-3/4	A-23424			A-13424	23424	13424										
3	A-23425			A-13425	23425	13425										
3-1/4	A-23426			A-13426	23426	13426										
3-1/2	A-23427			A-13427	23427	13427										
3-3/4	A-23428			A-13428	23428	13428										
4	A-23429			A-13429	23429	13429										
5	A-23430			A-13430	23430	13430										
6	A-23431			A-13431	23431	13431										
.2500-.7188 5/16-23/32 6.30-18.00mm	1-1/8 1.1248-1.1245			1	A-23506	A-13506	23506	13506								
				1-1/8	A-23508	A-13508	23508	13508								
				1-1/4	A-23510	A-13510	23510	13510								
				1-3/8	A-23511	A-13511	23511	13511								
				1-1/2	A-23513	A-13513	23513	13513								
				1-5/8	A-23514	A-13514	23514	13514								
				1-3/4	A-23515	A-13515	23515	13515								
		1-7/8	A-23516	A-13516	23516	13516										
		1-15/16	A-16504	A-13517	16504	13517										
		2	A-23518	A-13518	23518	13518										
		2-1/8	A-23519	A-13519	23519	13519										
		2-1/4	A-23520	A-13520	23520	13520										
		2-3/8	A-23521	A-13521	23521	13521										
		2-1/2	A-23522	A-13522	23522	13522										
		2-3/4	A-23524	A-13524	23524	13524										
		3	A-23525	A-13525	23525	13525										
		3-1/4	A-23526	A-13526	23526	13526										
		3-1/2	A-23527	A-13527	23527	13527										
		3-3/4	A-23528	A-13528	23528	13528										
		4	A-23529	A-13529	23529	13529										
		5	A-23530	A-13530	23530	13530										
		6	A-23531	A-13531	23531	13531										

INFO++

AIR FEED BUSHINGS

Quick-Acting One-Touch Swing Clamps



Manual One-Touch Clamps offer simple, cost-effective clamping and unclamping of workpieces. Simply rotate the quick-acting clamps into position, then clamp down in one continuous motion. These manual clamps come four sizes each of three styles: horizontal cam, vertical cam, or hex drive.

See Pages 274-276



24000 SERIES

A ID RANGE	B OD	C LENGTH	TIP ASSEMBLY		SHANK ONLY		COLLAR ONLY		TAPER-LOK LINER PART NO. p. 593	LOCK LINER PART NO. p. 593	LOCK NUT PART NO. p. 593	TAPER-LOK LOCKSCREW PART NO. p. 595	LOCK SCREW PART NO. p. 595	LINER PART NO. p. 595										
			STANDARD TYPE PART NO.	COOLANT TYPE PART NO.	STANDARD TYPE PART NO.	COOLANT TYPE PART NO.	STANDARD TYPE PART NO.	COOLANT TYPE PART NO.																
.3125-.4062 5/16-13/32 8.00-10.20mm	5/8 .6248-.6245	5/8	A-24103	A-14103	24103	14103	24000	14000				CL-11-AFL or CL-13-AFL or CL-14-AFL	16532	19947										
		3/4	A-24104	A-14104	24104	14104																		
		7/8	A-24105	A-14105	24105	14105																		
		1	A-24106	A-14106	24106	14106																		
		1-1/8	A-24108	A-14108	24108	14108																		
		1-1/4	A-24110	A-14110	24110	14110																		
		1-3/8	A-24111	A-14111	24111	14111																		
		1-1/2	A-24113	A-14113	24113	14113																		
		1-5/8	A-24114	A-14114	24114	14114																		
		1-3/4	A-24115	A-14115	24115	14115																		
		1-7/8	A-24116	A-14116	24116	14116																		
		2	A-24118	A-14118	24118	14118																		
		2-1/8	A-24119	A-14119	24119	14119																		
		2-1/4	A-24120	A-14120	24120	14120																		
		2-3/8	A-24121	A-14121	24121	14121																		
		2-1/2	A-24122	A-14122	24122	14122																		
		2-3/4	A-24124	A-14124	24124	14124																		
		3	A-24125	A-14125	24125	14125																		
		3-1/4	A-24126	A-14126	24126	14126																		
		3-1/2	A-24127	A-14127	24127	14127																		
		3-3/4	A-24128	A-14128	24128	14128																		
		4	A-24129	A-14129	24129	14129																		
		5	A-24130	A-14130	24130	14130																		
		6	A-24131	A-14131	24131	14131																		
		.3125-.5312 5/16-17/32 8.00-13.50mm	3/4 .7498-.7495	3/4	A-24304	A-14304									24304	14304	24000	14000				CL-11-AFL or CL-13-AFL or CL-14-AFL	16532	19949
				7/8	A-24305	A-14305									24305	14305								
				1	A-24306	A-14306									24306	14306								
				1-1/8	A-24308	A-14308									24308	14308								
1-1/4	A-24310			A-14310	24310	14310																		
1-3/8	A-24311			A-14311	24311	14311																		
1-1/2	A-24313			A-14313	24313	14313																		
1-5/8	A-24314			A-14314	24314	14314																		
1-3/4	A-24315			A-14315	24315	14315																		
1-7/8	A-24316			A-14316	24316	14316																		
2	A-24318			A-14318	24318	14318																		
2-1/8	A-24319			A-14319	24319	14319																		
2-1/4	A-24320			A-14320	24320	14320																		
2-3/8	A-24321			A-14321	24321	14321																		
2-1/2	A-24322			A-14322	24322	14322																		
2-3/4	A-24324			A-14324	24324	14324																		
3	A-24325			A-14325	24325	14325																		
3-1/4	A-24326			A-14326	24326	14326																		
3-1/2	A-24327			A-14327	24327	14327																		
3-3/4	A-24328			A-14328	24328	14328																		
4	A-24329			A-14329	24329	14329																		
5	A-24330			A-14330	24330	14330																		
6	A-24331			A-14331	24331	14331																		

INFO++

AIR FEED BUSHINGS



24000 SERIES (CONT.)

A ID RANGE	B OD	C LENGTH	TIP ASSEMBLY		SHANK ONLY		COLLAR ONLY		TAPER-LOK LINER PART NO. p. 593	LOCK LINER PART NO. p. 593	LOCK NUT PART NO. p. 593	TAPER-LOK LOCKSREW PART NO. p. 595	LOCK SCREW PART NO. p. 595	LINER PART NO. p. 595	INFO++		
			STANDARD TYPE PART NO.	COOLANT TYPE PART NO.	STANDARD TYPE PART NO.	COOLANT TYPE PART NO.	STANDARD TYPE PART NO.	COOLANT TYPE PART NO.									
.3125-.6562 5/16-21/32 8.00-16.50mm	7/8 .8745-.8748	7/8	A-24405	A-14405	24405	14405											
		1	A-24406	A-14406	24406	14406											
		1-1/8	A-24408	A-14408	24408	14408											
		1-1/4	A-24410	A-14410	24410	14410											
		1-3/8	A-24411	A-14411	24411	14411											
		1-1/2	A-24413	A-14413	24413	14413											
		1-5/8	A-24414	A-14414	24414	14414											
		1-3/4	A-24415	A-14415	24415	14415											
		1-7/8	A-24416	A-14416	24416	14416											
		2	A-24418	A-14418	24418	14418											
		2-1/8	A-24419	A-14419	24419	14419											
		2-1/4	A-24420	A-14420	24420	14420											
		2-3/8	A-24421	A-14421	24421	14421											
		2-1/2	A-24422	A-14422	24422	14422											
		2-3/4	A-24424	A-14424	24424	14424											
		3	A-24425	A-14425	24425	14425											
		3-1/4	A-24426	A-14426	24426	14426											
		3-1/2	A-24427	A-14427	24427	14427											
		3-3/4	A-24428	A-14428	24428	14428											
		4	A-24429	A-14429	24429	14429											
		5	A-24430	A-14430	24430	14430											
		6	A-24431	A-14431	24431	14431											
		.3125-.7812 5/16-25/32 8.00-19.50mm	1 .9998-.9995	1	A-24506	A-14506	24506	14506									
				1-1/8	A-24508	A-14508	24508	14508									
1-1/4	A-24510			A-14510	24510	14510											
1-3/8	A-24511			A-14511	24511	14511											
1-1/2	A-24513			A-14513	24513	14513											
1-5/8	A-24514			A-14514	24514	14514											
1-3/4	A-24515			A-14515	24515	14515											
1-7/8	A-24516			A-14516	24516	14516											
2	A-24518			A-14518	24518	14518											
2-1/8	A-24519			A-14519	24519	14519											
2-1/4	A-24520			A-14520	24520	14520											
2-3/8	A-24521			A-14521	24521	14521											
2-1/2	A-24522			A-14522	24522	14522											
2-3/4	A-24524			A-14524	24524	14524											
3	A-24525			A-14525	24525	14525											
3-1/4	A-24526			A-14526	24526	14526											
3-1/2	A-24527			A-14527	24527	14527											
3-3/4	A-24528			A-14528	24528	14528											
4	A-24529			A-14529	24529	14529											
5	A-24530			A-14530	24530	14530											
6	A-24531			A-14531	24531	14531											
.3125-.9062 5/16-29/32 8.00-23.00mm	1-1/8 1.1248-1.1245			1	A-24606	A-14606	24606	14606									
				1-1/8	A-24608	A-14608	24608	14608									
				1-1/4	A-24610	A-14610	24610	14610									
		1-3/8	A-24611	A-14611	24611	14611											
		1-1/2	A-24613	A-14613	24613	14613											
		1-5/8	A-24614	A-14614	24614	14614											
		1-3/4	A-24615	A-14615	24615	14615											
		1-7/8	A-24616	A-14616	24616	14616											
		1-15/16	A-16505	A-14617	16505	14617											
		2	A-24618	A-14618	24618	14618											
		2-1/8	A-24619	A-14619	24619	14619											
		2-1/4	A-24620	A-14620	24620	14620											
		2-3/8	A-24621	A-14621	24621	14621											
		2-1/2	A-24622	A-14622	24622	14622											
		2-3/4	A-24624	A-14624	24624	14624											
		3	A-24625	A-14625	24625	14625											
		3-1/4	A-24626	A-14626	24626	14626											
		3-1/2	A-24627	A-14627	24627	14627											
		3-3/4	A-24628	A-14628	24628	14628											
		4	A-24629	A-14629	24629	14629											
		5	A-24630	A-14630	24630	14630											
		6	A-24631	A-14631	24631	14631											

AIR FEED BUSHINGS



24000 SERIES (CONT.)

A ID RANGE	B OD	C LENGTH	TIP ASSEMBLY		SHANK ONLY		COLLAR ONLY		TAPER-LOK LINER	LOCK LINER	LOCK NUT	TAPER-LOK LOCKSCREW	LOCK SCREW	LINER									
			STANDARD TYPE PART NO.	COOLANT TYPE PART NO.	STANDARD TYPE PART NO.	COOLANT TYPE PART NO.	STANDARD TYPE PART NO.	COOLANT TYPE PART NO.	PART NO. p. 593	PART NO. p. 593	PART NO. p. 593	PART NO. p. 595	PART NO. p. 595	PART NO. p. 595									
.3125-.9375 5/16-15/16 8.00-23.50mm	1-1/4 1.2498-1.2495	1-1/4	A-24710	A-14710	24710	14710	24000	14000						19952									
		1-3/8	A-24711	A-14711	24711	14711																	
		1-1/2	A-24713	A-14713	24713	14713																	
		1-5/8	A-24714	A-14714	24714	14714																	
		1-3/4	A-24715	A-14715	24715	14715																	
		1-7/8	A-24716	A-14716	24716	14716																	
		2	A-24718	A-14718	24718	14718																	
		2-1/8	A-24719	A-14719	24719	14719																	
		2-1/4	A-24720	A-14720	24720	14720																	
		2-3/8	A-24721	A-14721	24721	14721																	
		2-1/2	A-24722	A-14722	24722	14722																	
		2-3/4	A-24724	A-14724	24724	14724																	
		3	A-24725	A-14725	24725	14725																	
		3-1/4	A-24726	A-14726	24726	14726																	
		3-1/2	A-24727	A-14727	24727	14727																	
		3-3/4	A-24728	A-14728	24728	14728																	
		4	A-24729	A-14729	24729	14729																	
		5	A-24730	A-14730	24730	14730																	
		6	A-24731	A-14731	24731	14731																	
		.3125-.9375 5/16-15/16 8.00-23.50mm	1-1/2 1.4998-1.4995	1	A-24806	A-14806									24806	14806	24000	14000	TLL-16526 (Matches A-24815 Tip)	A-16526 (Matches A-16506 Tip)	14447	CL-11-AFL or CL-13-AFL or CL-14-AFL	16532
				1-3/8	A-24811	A-14811									24811	14811							
1-1/2	A-24813			A-14813	24813	14813																	
1-5/8	A-24814			A-14814	24814	14814																	
1-3/4	A-24815			A-14815	24815	14815																	
1-7/8	A-24816			A-14816	24816	14816																	
1-15/16	A-16506			A-14817	16506	14817																	
2	A-24818			A-14818	24818	14818																	
2-1/8	A-24819			A-14819	24819	14819																	
2-1/4	A-24820			A-14820	24820	14820																	
2-3/8	A-24821			A-14821	24821	14821																	
2-1/2	A-24822			A-14822	24822	14822																	
2-3/4	A-24824			A-14824	24824	14824																	
3	A-24825			A-14825	24825	14825																	
3-1/4	A-24826			A-14826	24826	14826																	
3-1/2	A-24827			A-14827	24827	14827																	
3-3/4	A-24828			A-14828	24828	14828																	
4	A-24829			A-14829	24829	14829																	
5	A-24830			A-14830	24830	14830																	
6	A-24831			A-14831	24831	14831																	

INFO++

25000 SERIES

.3750-1.0312 3/8-1-1/32 9.50-26.00mm	1-1/4 1.2498-1.2495	1-1/4	A-25110	A-15110	25110	15110	25000	15000					16530
		1-3/8	A-25111	A-15111	25111	15111							
		1-1/2	A-25113	A-15113	25113	15113							
		1-5/8	A-25114	A-15114	25114	15114							
		1-3/4	A-25115	A-15115	25115	15115							
		1-7/8	A-25116	A-15116	25116	15116							
		2	A-25118	A-15118	25118	15118							
		2-1/8	A-25119	A-15119	25119	15119							
		2-1/4	A-25120	A-15120	25120	15120							
		2-3/8	A-25121	A-15121	25121	15121							
		2-1/2	A-25122	A-15122	25122	15122							
		2-3/4	A-25124	A-15124	25124	15124							
		3	A-25125	A-15125	25125	15125							
		3-1/4	A-25126	A-15126	25126	15126							
		3-1/2	A-25127	A-15127	25127	15127							
		3-3/4	A-25128	A-15128	25128	15128							
		4	A-25129	A-15129	25129	15129							
		5	A-25130	A-15130	25130	15130							
		6	A-25131	A-15131	25211	15131							

AIR FEED BUSHINGS

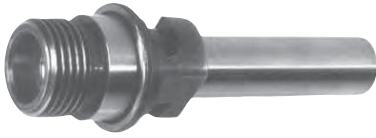


25000 SERIES (CONT.)

A ID RANGE	B OD	C LENGTH	TIP ASSEMBLY		SHANK ONLY		COLLAR ONLY		TAPER-LOK LINER PART NO. p. 593	LOCK LINER PART NO. p. 593	LOCK NUT PART NO. p. 593	TAPER-LOK LOCKSREW PART NO. p. 595	LOCK SCREW PART NO. p. 595	LINER PART NO. p. 595			
			STANDARD TYPE PART NO.	COOLANT TYPE PART NO.	STANDARD TYPE PART NO.	COOLANT TYPE PART NO.	STANDARD TYPE PART NO.	COOLANT TYPE PART NO.									
.3750-1.1562 3/8-1-5/32 9.50-29.00mm	1-3/8 1.3748-1.3745	1-3/8	A-25211	A-15211	25213	15211								19954			
		1-1/2	A-25213	A-15213	25214	15213											
		1-5/8	A-25214	A-15214	25215	15214											
		1-3/4	A-25215	A-15215	25216	15215											
		1-7/8	A-25216	A-15216	25218	15216											
		2	A-25218	A-15218	25219	15218											
		2-1/8	A-25219	A-15219	25220	15219											
		2-1/4	A-25220	A-15220	25221	15220											
		2-3/8	A-25221	A-15221	25222	15221											
		2-1/2	A-25222	A-15222	25224	15222											
		2-3/4	A-25224	A-15224	25225	15224											
		3	A-25225	A-15225	25226	15225											
		3-1/4	A-25226	A-15226	25227	15226											
		3-1/2	A-25227	A-15227	25228	15227											
		3-3/4	A-25228	A-15228	25229	15228											
		4	A-25229	A-15229	25230	15229											
		5	A-25230	A-15230	25231	15230											
		6	A-25231	A-15231	25313	15231											
.3750-1.2812 3/8-1-9/32 9.50-32.00mm	1-1/2 1.4998-1.4995	1-1/2	A-25313	A-15313	25314	15313								19955			
		1-5/8	A-25314	A-15314	25315	15314											
		1-3/4	A-25315	A-15315	25316	15315											
		1-7/8	A-25316	A-15316	25318	15316											
		2	A-25318	A-15318	25319	15318											
		2-1/8	A-25319	A-15319	25320	15319											
		2-1/4	A-25320	A-15320	25321	15320											
		2-3/8	A-25321	A-15321	25322	15321											
		2-1/2	A-25322	A-15322	25324	15322											
		2-3/4	A-25324	A-15324	25325	15324											
		3	A-25325	A-15325	25326	15325											
		3-1/4	A-25326	A-15326	25327	15326											
		3-1/2	A-25327	A-15327	25328	15327											
		3-3/4	A-25328	A-15328	25329	15328											
		4	A-25329	A-15329	25330	15329											
		5	A-25330	A-15330	25331	15330											
		6	A-25331	A-15331	25415	15331											
		.3750-1.4688 3/8-1-15/32 9.50-37.00mm	1-3/4 1.7498-1.7495	1-3/4	A-25415	A-15415	25416	15415									19956
1-7/8	A-25416			A-15416	25418	15416											
2	A-25418			A-15418	25419	15418											
2-1/8	A-25419			A-15419	25420	15419											
2-1/4	A-25420			A-15420	25421	15420											
2-3/8	A-25421			A-15421	25422	15421											
2-1/2	A-25422			A-15422	25424	15422											
2-3/4	A-25424			A-15424	25425	15424											
3	A-25425			A-15425	25426	15425											
3-1/4	A-25426			A-15426	25427	15426											
3-1/2	A-25427			A-15427	25428	15427											
3-3/4	A-25428			A-15428	25429	15428											
4	A-25429			A-15429	25430	15429											
5	A-25430			A-15430	25431	15430											
6	A-25431			A-15431	25518	15431											
.3750-1.4688 3/8-1-15/32 9.50-37.00mm	2 1.9998-1.9995			2	A-25518	A-15518	16513	15518								14448	
				2-5/8	A-16513	A-15523	25524	15523									
				2-3/4	A-25524	A-15524	25525	15524									
		3	A-25525	A-15525	25526	15525											
		3-1/4	A-25526	A-15526	25527	15526											
		3-1/2	A-25527	A-15527	25528	15527											
		3-3/4	A-25528	A-15528	25529	15528											
		4	A-25529	A-15529	25530	15529											
		5	A-25530	A-15530	25531	15530											
		6	A-25531	A-15531		15531											

INFO++

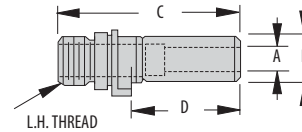
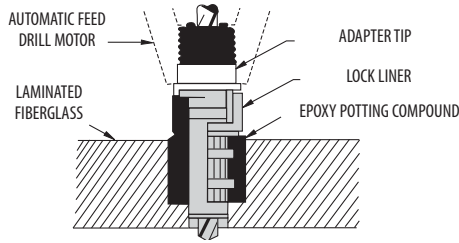
AIR FEED BUSHINGS



AT-TYPE ONE-PIECE ADAPTER TIPS



ADAPTER TIP



AT-series adapter tips are one-piece adapters primarily for fiberglass and plastic tooling. They are used with AT-series knurled liners, and are not compatible with any other liners or air-feed accessories. AT-series bushings are available in 3/4-16 and 1"-14 mounting-thread sizes, in a total of four OD sizes, to fit drill diameters from .1910" to .6250".

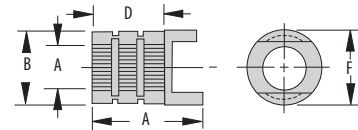
AT-TYPE ADAPTER TIPS

PART NO.	A ID RANGE	B OD	C	D	L.H. THREAD
AT-1	.1910-.2055 #11-#5	11/32 .3437-.3435	2-7/16	1-9/16	3/4-16
AT-2	.1910-.2850 #11-9/32	7/16 .4375-.4373			
AT-3	.2810-.4130 K-Z	9/16 .5625-.5623			
AT-4	.2810-.6250 K-5/8	3/4 .7500-.7498			1-14



LOCK LINER

Precision knurled liner bushing for mounting air-feed drills in fiberglass or plastic tooling. AT-series knurled lock liners are designed especially for AT-series one-piece adapter tips, and are not compatible with any other liners or air-feed accessories. Press-fit AT-series liners are available as specials. Available in four sizes.



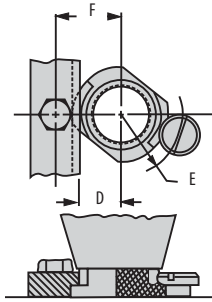
AT-TYPE LOCK LINERS

PART NO.	A ID RANGE	B OD	C	D	F DIA
LL-1	11/32 .3440-.3443	9/16	1-3/8	7/8	11/16
LL-2	7/16 .4377-.4380	11/16			13/16
LL-3	9/16 .5627-.5630	13/16			15/16
LL-4	3/4 .7503-.7506	1			1-1/8

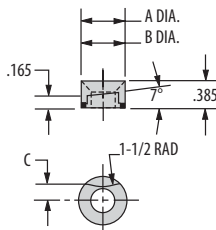
13

AIR FEED BUSHINGS

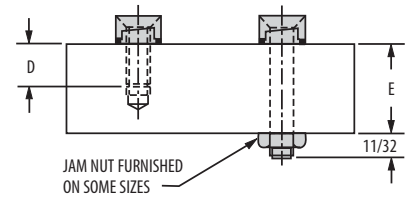
MOUNTING DIMENSIONS FOR LOCKSCREWS AND LOCK STRIPS



DIMENSION	21000 SERIES	22000 SERIES	23000 SERIES	24000 SERIES	25000 SERIES
D	.312	.609	.734	.859	—
E	.625	.922	1.047	1.172	1.562
F	.687	.984	1.109	1.234	—



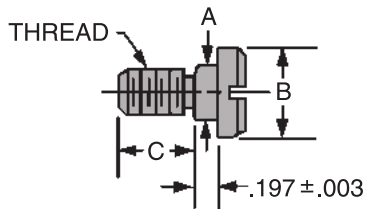
TAPER-LOK AIR-FEED LOCKSCREWS



Angular locking surface mates perfectly with air-feed collars. Use instead of standard lock-screws for greater strength . . . eliminates worn, bent, or broken lockscrews caused by point contact. Serrations at bottom bite into the fixture plate to positively prevent rotation under heavy torque loads. Alloy steel mounting screws furnished. Patent No. 3,336,822.

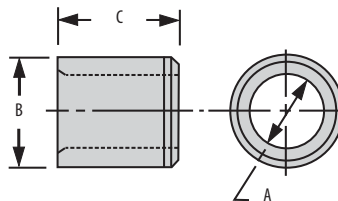
PART NO.	MOUNTING SCREW DIA.	MOUNTING SCREW	A DIA	B DIA	C	D	E	REPLACES STANDARD LOCKSCREW
CL-9-AFL	5/16	Not Furnished	5/8	19/32	3/16	—	—	—
CL-11-AFL		5/16-18x1.00				19/32	—	16531 & 16532
CL-13-AFL		5/16-18x1.50 w/Jam Nut				1-3/32	3/4	—
CL-14-AFL		5/16-18x2.00 w/Jam Nut				1-19/32	1-1/4	—
CL-10-AFL	3/8	Not Furnished	3/4	23/32	7/32	—	—	—
CL-12-AFL		3/8-16x1.00				19/32	—	16530

LOCKSCREWS



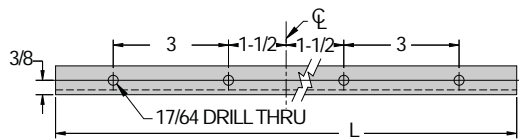
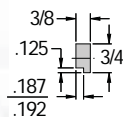
PART NO.	A DIA	B DIA	C	B THREAD
16531	3/8	5/8	5/16	5/16-18
16532			7/16	
16530	7/16	3/4	5/8	3/8-16

LINERS



PART NO.	A ID	B OD	C LENGTH
19936	3/8		1
19937	7/16		1
19938	1/2		1
19939	9/16		1
19940	5/8		1-3/4
19947			1
19941	3/4		1-3/8
19942			1-3/4
19949	13/16		1-3/8
19943			1-3/8
19944	7/8		1-3/4
19950	1		1-3/8
19945	1		1-3/4
19951			1-3/4
19946	1-1/8		1-3/4
19952	1-1/4		2-1/2
19953	1-3/8		2-1/2
19954			1-3/8
19955	1-1/2		2-1/2
19956	1-3/4		2-1/2

LOCK STRIPS



PART NO.	L OVERALL LENGTH	NO. OF HOLES
LSM-12	12	4
LSM-24	24	8
LSM-36	36	12

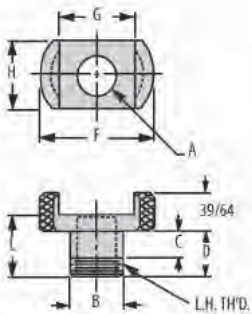
AIR FEED BUSHINGS

TAPER-LOK LINERS



PRESS FIT

Precision liner bushing for mounting air-feed drills through a jig plate. One-piece design has two angled locking surfaces to lock the drill motor in place, for superior strength. Milled flats allow close hole spacing. Press fit into jig plate, then fasten from behind with a Lock Nut (order separately). Optional heavy-duty type has precisely machined helical locking surfaces that mate exactly with the air-feed collar for added impact resistance. Patent no. 3,015,242. Available for 21000 through 24000 series air-feed drills (not 25000 series).



PRESS FIT – STANDARD

PART NO.	A DIA	B DIA	C	D	F DIA	G	H	L	L.H. THREAD	MATCHING LOCK NUT	MATCHING ADAPTOR TIP
TLL-16520	.3750 .3755	.4995 .4990	7/16	3/4	1-1/8	.625	3/4	1	1/2-20	14441	A-21106
TLL-16521	.5000 .5005	.7495 .7490	7/16	3/4	1-3/16	.625	7/8	1	3/4-16	14442	A-21306
TLL-16522	.6250 .6255	.8745 .8740	7/16	3/4	1-13/16	1.218	1-1/8	1	7/8-14	14443	A-22406
TLL-16523	.8750 .8756	1.2495 1.2490	9/16	1	2-1/8	1.468	1-3/8	1-1/4	1-1/4-12	14445	A-23310
TLL-16524	1.1252 1.1258	1.4990 1.4985	27/32	1-1/2	2-1/8	1.468	1-5/8	1-3/4	1-1/2-12	14446	A-23515
TLL-16525	1.1252 1.1258	1.4990 1.4985			2-7/16	1.718					A-24615
TLL-16526	1.5002 1.5008	1.9990 1.9985	27/32	1-1/2	2-7/16	1.718	2-1/2	1-3/4	2"-16	14447	A-24815

PRESS FIT – HEAVY DUTY

PART NO.	A DIA	B DIA	C	D	F DIA	G	H	L	L.H. THREAD	MATCHING LOCK NUT	MATCHING ADAPTOR TIP
HLL-16520	.3750 .3755	.4995 .4990	7/16	3/4	1-1/8	.625	3/4	1	1/2-20	14441	A-21106
HLL-16521	.5000 .5005	.7495 .7490	7/16	3/4	1-3/16	.625	7/8	1	3/4-16	14442	A-21306
HLL-16522	.6250 .6255	.8745 .8740	7/16	3/4	1-13/16	1.218	1-1/8	1	7/8-14	14443	A-22406
HLL-16523	.8750 .8756	1.2495 1.2490	9/16	1	2-1/8	1.468	1-3/8	1-1/4	1-1/4-12	14445	A-23310
HLL-16524	1.1252 1.1258	1.4990 1.4985	27/32	1-1/2	2-1/8	1.468	1-5/8	1-3/4	1-1/2-12	14446	A-23515
HLL-16525	1.1252 1.1258	1.4990 1.4985			2-7/16	1.718					A-24615
HLL-16526	1.5002 1.5008	1.9990 1.9985	27/32	1-1/2	2-7/16	1.718	2-1/2	1-3/4	2"-16	14447	A-24815



KNURLED

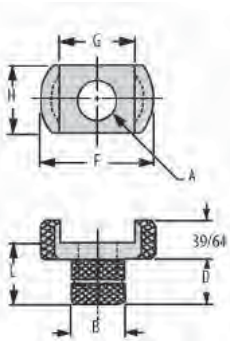
Precision knurled liner bushing for mounting air-feed drills in fiberglass or plastic tooling. One-piece design has two angled locking surfaces to lock the drill motor in place, for superior strength. Optional heavy-duty type has precisely machined helical locking surfaces that mate exactly with the air-feed collar for added impact resistance. Milled flats allow close hole spacing. Available for 21000 and 22000 series air-feed drills. Patent no. 3,015,242.

KNURLED – STANDARD

PART NO.	A DIA	B DIA	D	F DIA	G	H	L	MATCHING ADAPTOR TIP
TLD-375	.3750	3/4	7/8	1-3/16	.625	7/8	1-1/8	A-21108
	.3755							
TLD-500	.5000	3/4	7/8	1-3/16	.625	7/8	1-1/8	A-21308
	.5005							
TLD-750	.7500	1-1/8	7/8	1-13/16	1.218	1-1/8	1-1/8	A-22508
	.7505							

KNURLED – HEAVY DUTY

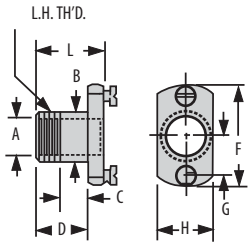
PART NO.	A DIA	B DIA	D	F DIA	G	H	L	MATCHING ADAPTOR TIP
HLD-375	.3750	3/4	7/8	1-3/16	.625	7/8	1-1/8	A-21108
	.3755							
HLD-500	.5000	3/4	7/8	1-3/16	.625	7/8	1-1/8	A-21308
	.5005							
HLD-750	.7500	1-1/8	7/8	1-13/16	1.218	1-1/8	1-1/8	A-22508
	.7505							



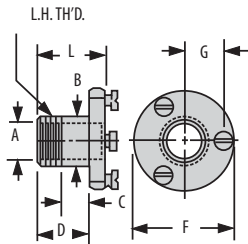
AIR FEED BUSHINGS

LOCK LINERS

Precision liner bushing for mounting air-feed drills through a jig plate. The large head holds two standard Lockscrews, to lock the drill motor in place. Milled flats allow close hole spacing. Press fit into jig plate, then fasten from behind with a Lock Nut (order separately). Available for 21000 through 25000 series air-feed drills.



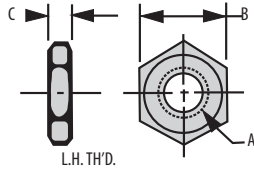
STANDARD



A-16533 ONLY

PART NO.	A DIA	B DIA	C	D	F DIA	G	H	L	L.H. THREAD	MATCHING LOCK NUT	MATCHING ADAPTOR TIP
.3750	.3750	.4995	7/16	3/4	1-3/4	5/8	3/4	1-1/16	1/2-20	14441	A-16500
	.3756	.4989									
.5000	.5000	.7495	7/16	3/4	1-3/4	5/8	1	1-1/16	3/4-16	14442	A-16501
	.5006	.7489									
.6250	.6250	.8745	7/16	3/4	2-7/16	59/64	1-1/8	1-3/16	7/8-14	14443	A-16502
	.6256	.8739									
.8750	.8750	1.2495	9/16	1	2-11/16	1-3/64	1-1/2	1-7/16	1-1/4-12	14445	A-16503
	.8756	1.2485									
1.1250	1.1250	1.4990	27/32	1-1/2	2-11/16	1-3/64	1-3/4	1-15/16	1-1/2-12	14446	A-16504
	1.1260	1.4980									
1.1250	1.1250	1.4990	27/32	1-1/2	3	1-11/64	1-3/4	1-15/16	1-1/2-12	14446	A-16505
	1.1260	1.4980									
1.5000	1.5000	1.9990	27/32	1-1/2	3	1-11/64	2-1/2	1-15/16	2"-16	14447	A-16506
	1.5010	1.9980									
2.0000	2.0000	2.4990	1-3/8	2	3-3/4	1-9/16	—	2-5/8	2-1/2-16	14448	A-16513
	2.0015	2.4980									

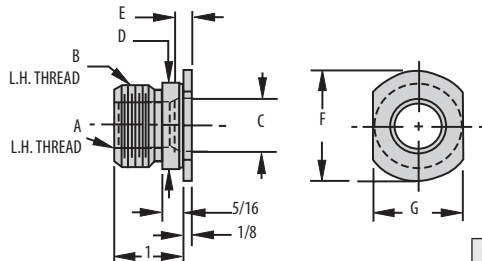
LOCK NUTS



LOCK NUT PART NO.	A (THREAD SIZE)	B	C
14441	1/2-20	3/4	1/4
14442	3/4-16	1	1/4
14443	7/8-14	1-1/4	1/4
14445	1-1/4-12	1-3/4	3/8
14446	1-1/2-12	2	1/2
14447	2-16	2-1/2	1/2
14448	2-1/2-16	3	1/2

These fine-thread Lock Nuts fit the entire range of standard lock liners. Lock Liners press fit into the jig plate, then fasten from behind with a Lock Nut.

REDUCERS



These Reducers allow mounting a smaller-series air-feed adaptor tip on a larger-series drill motor. Available for either standard or coolant-type air-feed drills. Available for 22000 through 25000 series air-feed drill motors. Two Reducers can be used together to step down several sizes.

PART NO. STANDARD TYPE	PART NO. COOLANT TYPE	A INSIDE THREAD	B OUTSIDE THREAD	C DIA	D DIA	E	F DIA	G*
17952	A-17952	3/4-16	1-14	.8125	1.0610-1.0604	9/32	1-3/8	1-1/16
25018	A-25018		1-1/4-12		1.3110-1.3104		1-5/8	1-5/16
25582	A-25582		1-1/2-12		1.5610-1.5604		1-15/16	1-9/16
25583	A-25583	1-1/4	1-1/4-12	1.0625	1.3110-1.3104	11/32	1-5/8	1-5/16
20132	A-20132		1-1/2-12		1.5610-1.5604		1-15/16	1-9/16
20017	A-20017	1-1/4-12	1-1/2-12	1.3125	1.5610-1.5604	11/32	1-15/16	1-9/16
27910	A-27910	1-1/2-12	2-16	1.5625	2.0610-2.0604	11/32	2-1/2	2-1/16

* Coolant type does not have wrench flats.

INCH DRILL SIZES

Drill/Decimal	Drill/Decimal	Drill/Decimal
80 .0135	9/64 .1406	23/64 .3594
79 .0145	27 .1440	U .3680
1/64 .0156	26 .1470	3/8 .3750
78 .0160	25 .1495	V .3770
77 .0180	24 .1520	W .3860
76 .0200	23 .1540	25/64 .3906
75 .0210	5/32 .1562	X .3970
74 .0225	22 .1570	Y .4040
73 .0240	21 .1590	13/32 .4062
72 .0250	20 .1610	Z .4130
71 .0260	19 .1660	27/64 .4219
70 .0280	18 .1695	7/16 .4375
69 .0292	11/64 .1719	29/64 .4531
68 .0310	17 .1730	15/32 .4688
1/32 .0312	16 .1770	31/64 .4844
67 .0320	15 .1800	1/2 .5000
66 .0330	14 .1820	33/64 .5156
65 .0350	13 .1850	17/32 .5312
64 .0360	3/16 .1875	35/64 .5469
63 .0370	12 .1890	9/16 .5625
62 .0380	11 .1910	37/64 .5781
61 .0390	10 .1935	19/32 .5938
60 .0400	9 .1960	39/64 .6094
59 .0410	8 .1990	5/8 .6250
58 .0420	7 .2010	41/64 .6406
57 .0430	13/64 .2031	21/32 .6562
56 .0465	6 .2040	43/64 .6719
3/64 .0469	5 .2055	11/16 .6875
55 .0520	4 .2090	45/64 .7031
54 .0550	3 .2130	23/32 .7188
53 .0595	7/32 .2188	47/64 .7344
1/16 .0625	2 .2210	3/4 .7500
52 .0635	1 .2280	49/64 .7656
51 .0670	A .2340	25/32 .7812
50 .0700	15/64 .2344	51/64 .7969
49 .0730	B .2380	13/16 .8125
48 .0760	C .2420	53/64 .8281
5/64 .0781	D .2460	27/32 .8438
47 .0785	E .2500	55/64 .8594
46 .0810	1/4 .2500	7/8 .8750
45 .0820	F .2570	57/64 .8906
44 .0860	G .2610	29/32 .9062
43 .0890	17/64 .2656	59/64 .9219
42 .0935	H .2660	15/16 .9375
3/32 .0938	I .2720	61/64 .9531
41 .0960	J .2770	31/32 .9688
40 .0980	K .2810	63/64 .9844
39 .0995	9/32 .2812	1 1.0000
38 .1015	L .2900	
37 .1040	M .2950	+64th increments up to
36 .1065	19/64 .2969	1-7/8"
7/64 .1094	N .3020	
35 .1100	5/16 .3125	
34 .1110	O .3160	+32nd increments up to
33 .1130	P .3230	2-1/4"
32 .1160	21/64 .3281	
31 .1200	Q .3320	
1/8 .1250	R .3390	+16th increments up to
30 .1285	11/32 .3438	4-1/4"
29 .1360	S .3480	
28 .1405	T .3580	

METRIC DRILL SIZES

Drill/Decimal	Drill/Decimal	Drill/Decimal
.35mm .0138	3.60mm .1417	8.70mm .3425
.38mm .0150	3.70mm .1457	8.75mm .3445
.40mm .0157	3.75mm .1476	8.80mm .3465
.42mm .0165	3.80mm .1496	8.90mm .3504
.45mm .0177	3.90mm .1535	9.00mm .3543
.48mm .0189	4.00mm .1575	9.10mm .3583
.50mm .0197	4.10mm .1614	9.20mm .3622
.55mm .0217	4.20mm .1654	9.25mm .3642
.60mm .0236	4.25mm .1673	9.30mm .3661
.65mm .0256	4.30mm .1693	9.40mm .3701
.70mm .0276	4.40mm .1732	9.50mm .3740
.75mm .0295	4.50mm .1772	9.60mm .3780
.80mm .0315	4.60mm .1811	9.70mm .3819
.85mm .0335	4.70mm .1850	9.75mm .3839
.90mm .0354	4.75mm .1870	9.80mm .3858
.95mm .0374	4.80mm .1890	9.90mm .3898
1.00mm .0394	4.90mm .1929	10.00mm .3937
1.05mm .0413	5.00mm .1969	10.20mm .4016
1.10mm .0433	5.10mm .2008	10.50mm .4134
1.15mm .0453	5.20mm .2047	10.80mm .4252
1.20mm .0472	5.25mm .2067	11.00mm.4331
1.25mm .0492	5.30mm .2087	11.20mm .4409
1.30mm .0512	5.40mm .2126	11.50mm .4528
1.35mm .0531	5.50mm .2165	11.80mm .4646
1.40mm .0551	5.60mm .2205	12.00mm .4724
1.45mm .0571	5.70mm .2244	12.20mm .4803
1.50mm .0591	5.75mm .2264	12.50mm .4921
1.55mm .0610	5.80mm .2283	13.00mm .5118
1.60mm .0630	5.90mm .2323	13.50mm .5315
1.65mm .0650	6.00mm .2362	14.00mm .5512
1.70mm .0669	6.10mm .2402	14.50mm .5709
1.75mm .0689	6.20mm .2441	15.00mm .5906
1.80mm .0709	6.25mm .2461	15.50mm .6102
1.85mm .0728	6.30mm .2480	16.00mm .6299
1.90mm .0748	6.40mm .2520	16.50mm .6496
1.95mm .0768	6.50mm .2559	17.00mm .6693
2.00mm .0787	6.60mm .2598	17.50mm .6890
2.05mm .0807	6.70mm .2638	18.00mm .7087
2.10mm .0827	6.75mm .2657	18.50mm .7283
2.15mm .0846	6.80mm .2677	19.00mm .7480
2.20mm .0866	6.90mm .2717	19.50mm .7677
2.25mm .0886	7.00mm .2756	20.00mm .7874
2.30mm .0906	7.10mm .2795	20.50mm .8071
2.35mm .0925	7.20mm .2835	21.00mm .8268
2.40mm .0945	7.25mm .2854	21.50mm .8465
2.45mm .0965	7.30mm .2874	22.00mm .8661
2.50mm .0984	7.40mm .2913	22.50mm .8858
2.55mm .1004	7.50mm .2953	23.00mm .9055
2.60mm .1024	7.60mm .2992	23.50mm .9252
2.65mm .1043	7.70mm .3031	24.00mm .9449
2.70mm .1063	7.75mm .3051	24.50mm .9646
2.75mm .1083	7.80mm .3071	25.00mm.9843
2.80mm .1102	7.90mm .3110	
2.90mm .1142	8.00mm .3150	+1.00mm increments up to 48mm
3.00mm .1181	8.10mm .3189	
3.10mm .1220	8.20mm .3228	
3.20mm .1260	8.25mm .3248	
3.25mm .1280	8.30mm .3268	+5.00mm increments from 50mm up to 105mm
3.30mm .1299	8.40mm .3307	
3.40mm .1339	8.50mm .3346	
3.50mm .1378	8.60mm .3386	

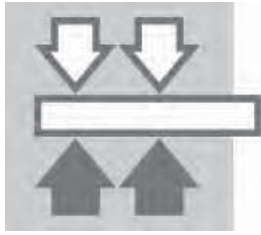
TAP GUIDE SIZES

(Priced as specials)

Tap Size*	Tap Guide Nominal ID Size	Tap Drill Size**
#0-80	.0616	3/64
#2-56	.0883	#50
#2-64	.0880	#50
#4-40	.1152	#43
#4-48	.1147	#42
#5-40	.1282	#38
#5-44	.1280(3.25mm)	#37
#6-32	.1421	#36
#6-40	.1412	#33
#8-32	.1681	#29
#8-36	.1676	#29
#10-24	.1954	#25
#10-32	.1941	#21
1/4-20	.2565	#7
1/4-28	.2546	#3
5/16-18	.3197	F
5/16-24	.3179	I
3/8-16	.3831	5/16
3/8-24	.3804	Q
7/16-14	.4468	U
7/16-20	.4440	25/64
1/2-13	.5100	27/64
1/2-20	.5065	29/64
9/16-12	.5733	31/64
9/16-18	.5697	33/64
5/8-11	.6368	17/32
5/8-18	.6322	37/64
3/4-10	.7630	21/32
3/4-16	.7581	11/16
7/8-9	.8894	49/64
7/8-14	.8843	13/16
1-8	1.0162	7/8
1-14	1.0093	15/16

METRIC		
M1.6x0.35	.0651	1.25mm or #55
M2x0.4	.0810 (#46)	1.60mm or #52
M2.5x0.45	.1008	2.05mm or #46
M3x0.5	.1207	2.50mm or #39
M3.5x0.6	.1407	2.90mm or #32
M4x0.7	.1613	3.30mm or #30
M5x0.8	.2010 (#7)	4.20mm or #19
M6x1	.2410	5.00mm or #8
M8x1.25	.3214	6.80mm or H
M8x1	.3197	7.00mm or J
M10x1.5	.4009	8.50mm or R
M10x1.25	.4002	8.80mm or 11/32
M12x1.75	.4805	10.20mm or 13/32
M12x1.25	.4789	10.80mm or 27/64
M14x2	.5600	12.00mm or 15/32
M14x1.5	.5584	12.50mm or 1/2
M16x2	.6387	14.00mm or 35/64
M16x1.5	.6372	14.50mm or 37/64
M18x2.5	.7191	15.50mm or 39/64
M18x1.5	.7159	16.50mm or 21/32
M20x2.5	.7978	17.50mm or 11/16
M20x1.5	.7946	18.50mm or 47/64
M22x2.5	.8765	19.50mm or 49/64
M22x1.5	.8734	20.50mm or 13/16
M24x3	.9583	21.00mm or 53/64
M24x2	.9537	22.00mm or 7/8

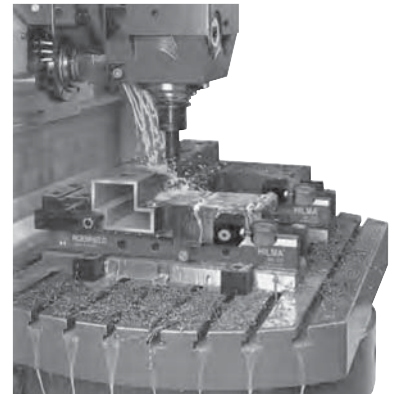
* Coarse series shown in bold. Pitch callout not required on metric coarse series.
** Closest size for 75% theoretical thread.



ROEMHELD
HILMA ■ STARK

Carr Lane Roemheld Mfg. Co.

Power Workholding For CNC Machining

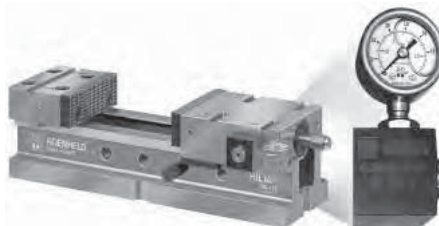


Power Workholding
Precision Vises
Zero Point Mounting
Assembly and Handling

Featured Power Workholding Items



Robust Swing Clamps
pages 629-630



NC Machine Vises with Gauge
pages 650-651



Lifting Units
page 717-718



Work Supports
pages 643-646



Compact Clamps
page 616



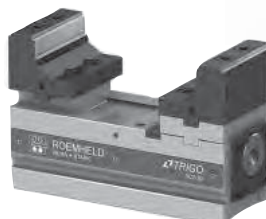
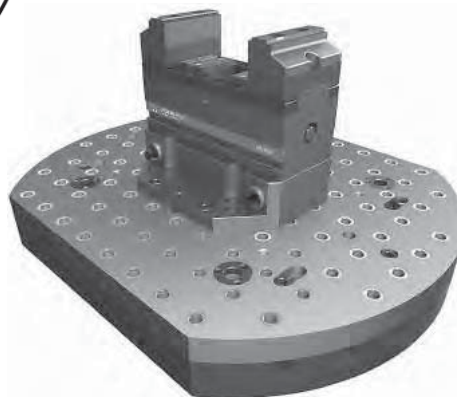
Hinge/Link Clamps
pages 617-618



Fixture Clamps
pages 664-666



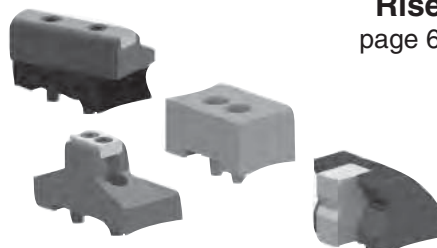
5-Axis Machining
pages 654-660



5-Axis Machining Vises
page 655-658




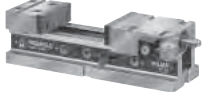





Quintus Quick-Change Riser
page 659



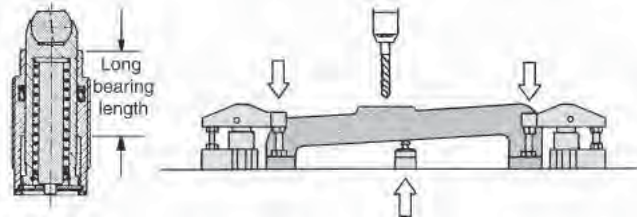
5-Axis Vise Jaws
page 660

Contents

	Technical Information	du t Featu e e at Sa ety e aut
	Clamps & Cylinders	te d la p S la p u la p l la p e al yl de ull la p
	Work Supports	Sp te ded Supp t Flu d d a ed Supp t d a ed Supp t
	Vises, Concentric Clamps & Zero Point Mounting	a e te e e a a d e e a e la p e Supe pa t la p e e e a e t e F tu e la p
	Power Sources	le t e t e t a d u p S e u p yd aul te e
	Valves	la p al e Se ue e al e e ue edu a d l al e e al e S ut a d e ue ele al e Fl t l al e
	Fittings & Accessories	ta y upl a d allet e uple u ulat u e t a d uple e ue S t e e e a l d a d au e u e t F lte Tu e a d Flu d F tt Tu T l ta t l t t e e

What makes Roemheld Power Workholding better than earlier hydraulic clamps?

1 Designs specifically and purely for workholding



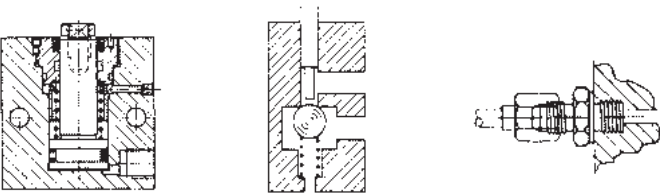
Earlier power clamping products descended from industrial jacks, pipe benders, and rams. Although these early devices (many still on the market) are fine for their original uses, they do not meet the special demands of modern workholding. For example, in a machining application, components are often subject to side loading due to cutting forces, not simply axial loads. This condition requires totally different engineering to provide sufficient bearing lengths for durability. As another example, workholding components are frequently exposed to coolant, chips, dirt, and grit, so clamps must include effective wipers and vent filters. Also, industrial cylinders converted to clamps are usually too bulky to fit easily on fixtures.

2 Compactness, with 7250-psi operating pressure



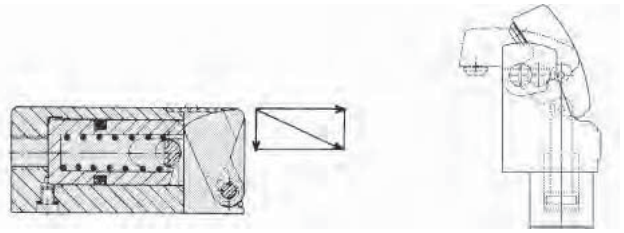
Earlier power clamps could operate at only 2000 to 3500 psi (pounds per square inch) fluid pressure. You needed large, bulky clamps with large internal cylinders to provide enough clamping force. Roemheld components are designed differently, inside and out, to fit easily on fixtures. They work comfortably even at 7250 psi, letting you use much smaller clamps to get the same clamping force. Compact Roemheld clamps open up new fixturing possibilities: you can now place clamps in tighter spots than before, and with the extra space, you can put more workpieces on a fixture (for example, six parts per cycle instead of only 4).

3 Zero-leakage sealing technology



Another feature unique to Roemheld power workholding is leak-free hydraulic sealing. Zero leakage is always important for safe clamping, and is absolutely vital on portable palletized fixtures. Maintaining pressure in a closed, disconnected system requires that *all* components – clamps, valves, and fittings – be leak-free. This calls for drastic changes in sealing techniques: cylinder seals are different, poppet valves (not leaky spool valves) are used whenever possible, and all fittings use metal-to-metal sealing (straight BSPP pipe threads with knife-edge sealing, instead of leak-prone tapered pipe threads).

4 State-of-the-art product development



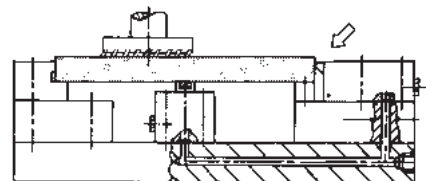
The Edge Clamps and Extending Clamps shown above are just two examples of advanced clamp designs in the Roemheld line. Both set new standards for good engineering and compact size. Our many new products and product improvements result from constant, extensive research and development. New products are field tested and proven, often for years, before they are ever offered for sale.

5 Extensive clamp sizes that follow a logical progression



Roemheld offers a vast selection of clamp sizes and varieties, to match your requirements exactly. In fact, we offer *several times* as many catalog models as our closest competitor (with much better stock too)! Just as important, our clamp sizes follow a logical progression of clamping forces, so you can usually find a clamp that is just the right size.

6 Manifold mounting



Our Roemheld line pioneered the ever-increasing use of manifold mounting: supplying fluid to clamps through passages drilled in the fixture, rather than through tubing or hoses. Manifold mounting, which requires specially designed clamps, allows designing totally “clean” fixtures without chip traps. Also, manifold mounting lets you put clamps closer together and in tighter spots, often letting you put more workpieces on a fixture.

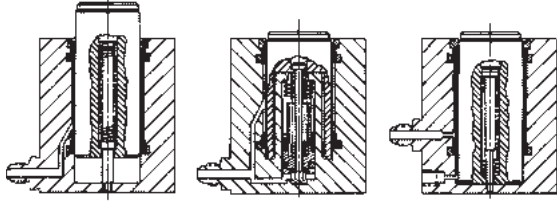


Carr Lane Roemheld Mfg. Co.

Sales — Phone (314) 647-6200 Fax (314) 647-5736

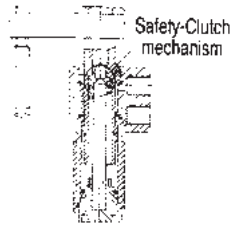
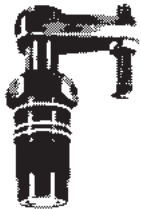
Engineering — Phone 1-800-827-2526 Web roemheld-usa.com

7 Work Supports



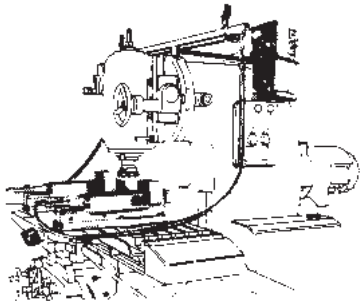
One of the most important improvements in power workholding is the work support. These components do not exert clamping force; instead, they lock off to restrain a workpiece during machining to prevent deflection and vibration. Roemheld work supports offer two major improvements: (1) drastically improved accuracy, with +/- .0002 inches repeatability, and (2) fluid-advanced and air-advanced supports. Fluid- and air-advanced versions offer significant advantages over conventional spring-loaded work supports. A spring-loaded support relies on a workpiece's weight to depress its support plunger to the proper height. While fluid pressure is off, the plunger remains in a raised position on the machine and can hamper loading and unloading. A fluid-advanced work support's plunger, on the other hand, is retracted when fluid pressure is off. Applying pressure first raises the plunger gently to the workpiece, then automatically locks it at the correct height. When pressure is released, the plunger retracts again for clear loading.

8 Swing Clamps



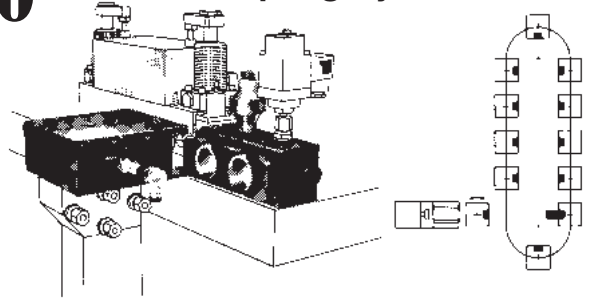
In all modesty, Roemheld Swing Clamps are by far the finest available anywhere, both in features and durability. Our proprietary safety-clutch mechanism prevents damage if the clamping arm strikes an unexpected object, such as an incorrectly loaded workpiece. The arm clutch disengages to avoid damaging the object or the clamp's helical-cam mechanism. In addition, our swing clamps incorporate a fast, totally dependable spring return, unlike our competitors'. We offer many varieties and sizes of swing clamps, including super-miniature and manifold-mounted versions.

9 Power Units for Workholding



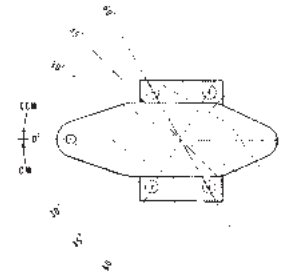
Early power-clamping systems relied either on limited-capacity air/oil intensifiers or on massive, noisy pumps for hydraulic power. Roemheld Electric and Air Power Units are totally different: they are compact, quiet power units designed especially for workholding. These turnkey units include an extremely durable pump, large fluid reservoir, clamping valves, switches, gauges, and numerous safety devices. Workholding power units are becoming a standard accessory on milling machines and machining centers.

10 Pallet Coupling Systems



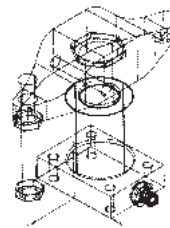
Power clamping on portable palletized fixtures is becoming quite common, yet presents some special challenges, such as maintaining full clamping pressure while the fixture is separated from its power source. We offer a wide choice of solutions, from rotary couplings, to manual pallet decouplers, to automatic coupling systems with programmable controllers.

11 Specials



Because many tough clamping problems require modified or totally special components, we offer full specials-engineering capabilities. Our research and development staff can quickly design products to meet your special requirements. And unlike our competitors, we are a full-capability manufacturer, from start to finish, so lead times are always reasonable.

12 Engineering and Service Support



Drawing Files Available at
www.carrlane.com

The combined resources of Carr Lane Roemheld Mfg. Co., Carr Lane Mfg. Co, and Roemheld GmbH bring you the world's finest technical support. Our capabilities include:

- (1) Field engineers and regional managers helping our fine authorized distributors give you on-site assistance nationwide.
- (2) Extensive CAD/CAM capabilities, both inhouse and for customer use, including a complete CAD library of catalog items available for users.
- (3) A large stock of catalog items, plus quick-response manufacturing capabilities.
- (4) Quality products that rarely need service, unlike those of our competitors, who regularly sell replacement parts and need repair stations throughout the country.



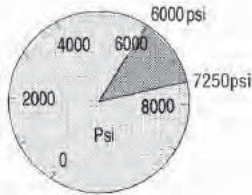
Carr Lane Roemheld Mfg. Co.

Sales — Phone (314) 647-6200 Fax (314) 647-5736
Engineering — Phone 1-800-827-2526 Web roemheld-usa.com

Design Information

1. Operating Pressure

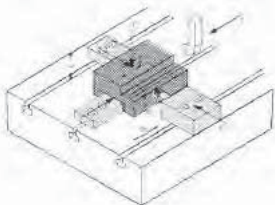
Although most Roemheld components operate comfortably and safely at up to 7250 psi, we recommend selecting a standard "design pressure" of 6000-psi for workholding fixtures. The table on each clamp's catalog page shows 6000-psi forces in bold for quick reference.



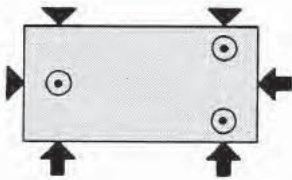
Designing at 6000 psi gives you most of the compactness benefits of high pressures, yet leaves a 25% reserve in case you find that you need additional holding force after building the fixture. Adjust up or down if necessary after checking the fixture. We recommend permanently labeling or stamping the fixture with the chosen operating pressure, for future reference. Operating at low pressures is somewhat a waste of our components' capabilities, but may occasionally be desirable with delicate workpieces. Whenever possible, stay with high pressures and use smaller clamps for better economy and minimum size. Minimum operating pressure is generally 1500 psi using an Electric Power Unit, or 2200 psi using an Air Power Unit. Work supports require at least 1500 psi. Please note, a few products in this catalog are limited to pressures lower than 7250 psi. To use these components in full-pressure systems, see Pressure Reducing Valves.

2. Machining Operations and Fixture Layout

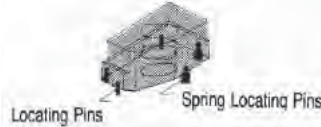
While developing your fixture concept, consider the following factors wherever possible:



Use positive stops to resist machining forces, rather than relying just on clamp forces. With well-placed locators, you can use smaller clamps.



Choose clamping points that are backed up by solid stops or rests to resist clamping forces. Clamping forces can distort a workpiece unless counteracted by firm supports.



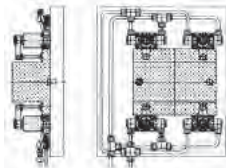
Evaluate workpiece-loading procedure and clamping sequence. Loading and clamping can be completely automatic, or involve some manual steps. To position the workpiece against locators, spring-loaded positioners (above) are often helpful. Sequence Valves are extremely useful to position hydraulically with push clamps before clamping. Total positioning force should be 30-50% of the workpiece's weight to overcome friction.



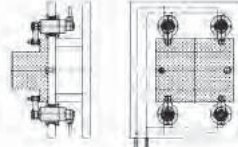
Decide how many parts you want to place on the fixture. For example, to place three workpieces on the above fixture, super-miniature Swing Clamps are necessary. With only one workpiece, just about any clamp would do.

3. Plumbing Options

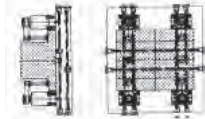
Supplying fluid to hydraulic fixtures is not merely an afterthought. Fluid supply is an integral part of fixture design. The following Swing Clamp fixtures illustrate four distinct plumbing concepts.



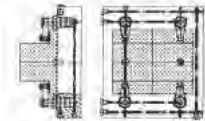
1. Tubing lines on top of fixture plate. This is the oldest, most traditional method of supplying fluid to hydraulic clamps. Before manifold mounting, using tubing was about the only option available. Advantages; less baseplate machining is required; quick build time. Disadvantages: chips are easily trapped in tubing lines; a large base-plate area is required; exposed tubing is subject to damage.



2. Tubing lines underneath fixture plate. Running tubing lines below the working area is an improvement on option 1. Advantages: no chip traps in working area; more freedom to position clamps with tubing out of the way. Disadvantages: a large base-plate area is still required; more complicated fixture construction.



3. Manifold mounting, with O-ring ports. This option uses passages drilled in the fixture to feed fluid directly to O-ring ports underneath the clamps. Advantages: more compact fixture size; no chip traps in working area; most economical construction. Disadvantages; gundrilling is sometimes required; less freedom to mount clamps in odd positions.



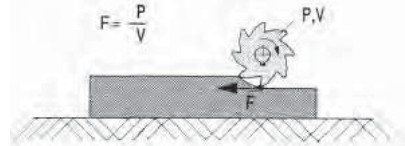
4. Cartridge-type manifold mounting. Similar to option 3, except clamps are embedded in specially prepared, tapped mounting holes. Advantages: most compact fixture size; great freedom to position clamps in tight places; no chip traps in working area. Disadvantages: gundrilling is sometimes required; a thicker base plate is usually required (this is also an advantage because it makes the fixture more rigid).

4. Cutting Forces

An important step in most fixture designs is looking at the planned machining operations to estimate cutting forces on the workpiece, both magnitude and direction. Your "estimate" can be a rough guess based on experience, or a calculation based on machining data. One simple formula for force magnitude is based on the physical relationship:

$$Force = \frac{Power}{Velocity}$$

$$F = \frac{P}{V}$$



$$Cutting\ force\ (lbs) = \frac{Heaviest-cut\ horsepower \times Machine\ efficiency\ \% \times 33,000}{Cutting\ speed\ (sfpm)}$$

Please note: heaviest-cut horsepower is not total machine horsepower, rather it is the maximum horsepower actually used during the machining cycle. Typical machine efficiency is roughly 75%. (.75). The number 33,000 is a units-conversion factor.

The above formula only calculates force magnitude, not direction. Cutting force can have X, Y, and/or Z components. Force direction (and magnitude) can vary drastically from the beginning, to the middle, to end of the cut.



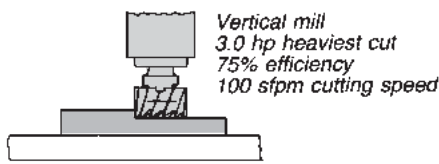
Carr Lane Roemheld Mfg. Co.

Sales — Phone (314) 647-6200 Fax (314) 647-5736

Engineering — Phone 1-800-827-2526 Web roemheld-usa.com

Design Information

Example

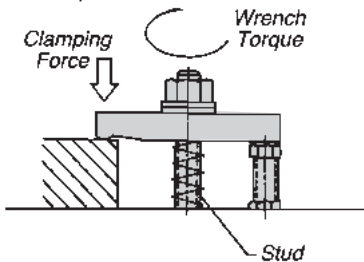


$$\begin{aligned} \text{Cutting force} &= \frac{3.0 \text{ hp} \times .75 \times 33,000}{100 \text{ sfpm}} \\ &= 743 \text{ lbs} \end{aligned}$$

Intuitively, force direction is virtually all horizontal. In this example (negligible z-axis component). Direction varies between the x and y axes as the cut progresses.

5. Clamp Forces / Sizes

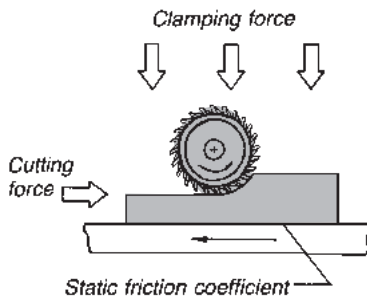
Clamping-force calculations can be quite complicated. Sometimes an approximate method is good enough. See table below for how much clamping force is available from manual clamp straps of various sizes (with a 2-to-1 clamping-force ratio) to compare with power-clamp forces.



Stud Size	Recommended Torque* (ft-lbs)	Clamping Force (lbs)
1/4-20	4	500
5/16-18	9	900
3/8-16	16	1300
1/2-13	38	2300
5/8-11	77	3700
3/4-10	138	5500

* Clean, dry clamping stud torqued to approximately 33% of its 100,000 psi yield strength (2:1 lever ratio).

You can also calculate required clamping forces based on calculated cutting force. A simplified example appears below, with cutting force entirely horizontal, and no workpiece stops

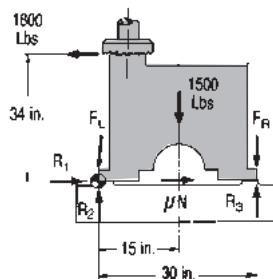
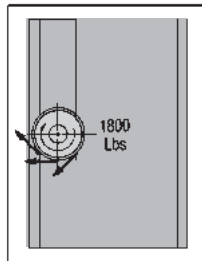


$$\text{Clamping force (lbs)} = \frac{\text{Cutting force (lbs)}}{\text{Static friction coefficient}} \times \text{Safety factor (usually 2)}$$

Contact surfaces	Friction coefficient (Dry)	Friction coefficient (Lubricated)
Steel on steel	.15	.12
Steel on cast iron	.19	.10
Cast iron on cast iron	.30	.19

(frictional force resists the entire cutting force). With workpiece stops and multi-direction forces, calculations become much more complicated. To simplify somewhat, determine the worst-case force situation intuitively, then treat the calculation as a two-dimensional static-mechanics problem (using a free-body diagram). In the example below, cutting force is already known to be 1800 lbs from previous calculations. The workpiece weighs 1500 lbs. Unknown forces are:

- F_R = Total force from all clamps on right side
- F_L = Total force from all clamps on left side
- R_1 = Horizontal reaction force from fixed stop
- R_2 = Vertical reaction force from fixed stop
- R_3 = Vertical reaction force on right side
- N = Normal force = $F_L + F_R + 1500$
- μ = Coefficient of friction = .19



The equations below solve for unknown forces assuming that for a static condition:

- The sum of forces in the x direction must equal zero
- The sum of forces in the y direction must equal zero
- The sum of moments about any point must equal zero

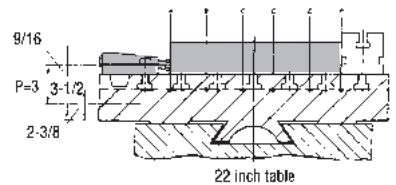
At first glance, the example above looks "statically indeterminate," i.e. there are 5 variables and only 3 equations. But for the minimum required clamping force, R_3 would be zero (workpiece barely touching) and F_L would be zero (there is no tendency to lift on the left side). Now with only 3 variables, we can solve:

$$\begin{aligned} \sum F_x &= 0 \\ &= -1800 + R_1 + (.19)(1500 + F_R) \\ \sum F_y &= 0 \\ &= R_2 - 1500 - F_R \\ \sum M_o &= 0 \\ &= (34)(1800) - (15)(1500) - (30)(F_R) \end{aligned}$$

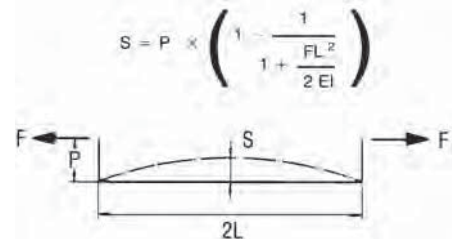
Solving for the variables,

$$\begin{aligned} F_R &= 1290 \text{ lbs} \\ R_1 &= 1270 \text{ lbs} \\ R_2 &= 2790 \text{ lbs} \end{aligned}$$

In other words, the combined force from all clamps on the right side must be greater than 1290 lbs. We recommend a 2-to-1 safety factor (2580 lbs). Even though F_L (the combined force from all clamps on the left side) equals zero, a small clamping force may be desirable to prevent vibration. Too much clamping force can be as bad as too little.



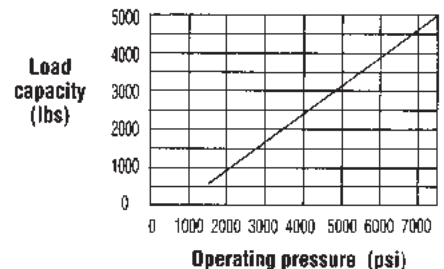
Excess force can cause fixture and machine-table distortion or even damage. Even a small hydraulic clamp can generate tremendous stresses (S). In the example above, three



4560-lb Edge Clamps cause some machine-table bending. Using static beam-binding calculations, maximum distortion, at point D, is about .0006 inches (probably acceptable). However, if the clamping point were higher off the machine table (P dimension), distortion would be much greater. Higher clamps would require adding an intermediate fixture plate to increase table rigidity.

6. Work Supporting

Unlike clamps, work supports do not actually exert force on a workpiece. After adjusting to the part, work supports essentially become fixed supports or rests. A work support's load capacity increases proportionally as fluid pressure rises:



Operating pressure (psi)

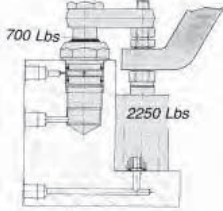


Carr Lane Roemheld Mfg. Co.

Sales — Phone (314) 647-6200 Fax (314) 647-5736
Engineering — Phone 1-800-827-2526 Web roemheld-usa.com

Design Information

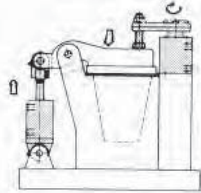
Choose enough load capacity to resist: (1) machining forces; (2) workpiece weight; (3) clamping forces not resisted by fixed stops.



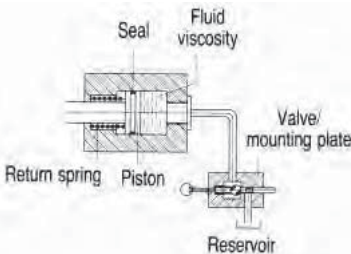
When supporting underneath a clamp, as in the example above, load capacity should be substantially greater than clamping force. Not only must the support resist static clamping force, it must resist dynamic load too (the "hammering" due to clamping-arm momentum). We recommend a load capacity of at least 2 times the clamping force. Another factor when clamping over a work support is that the clamp may build up force faster than the support builds up load capacity. To avoid this, use a sequence valve to delay clamping until load capacity builds up.

7. Single Acting vs. Double Acting

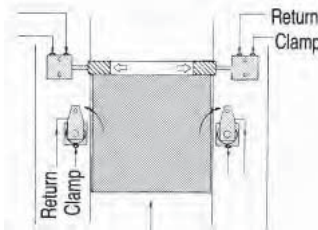
The return side of single acting elements, with a few exceptions (small work supports), require breather ports on the return side, and when used in systems with high flow or pressurized cutting fluids/coolants, great care must be taken to ensure that these fluids do not enter the return side of the clamps. It is highly recommended that double acting elements be used in such systems, thus eliminating the problem, and resultant machine down time. Double acting clamps should also be used in systems having an automatic load/unload, so that all functions can easily be coordinated.



1. Moving linkages or retracting heavy loads. For a quick, positive return when weight is too heavy for spring return.



2. Large fixtures with long tubing runs or flow restrictions. Return speed is adversely affected by: (1) pressure drop in tubing and hoses; (2) pressure drop in valves; (3) high fluid viscosity, especially at lower temperatures; (4) frictional force at piston seals, especially when clamped for an extended time, which displaces the fluid film on cylinder walls.

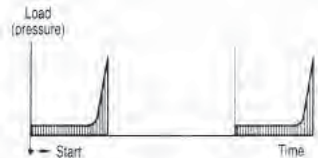


3. Machine-tool interlock. In automated systems where timing and synchronization are important, double-acting clamps are the best choice. By installing pressure switches in both clamping and return lines, a machine controller knows exact clamp status at all times.

8. Clamping Time

Hydraulic clamping is usually fast, but not instantaneous. To estimate clamping time, consider the two phases of clamping:

1. Extending time, under low-pressure free flow
2. Pressure-building time



Extending time is fairly easy to calculate, knowing fluid required by each clamp and the power units flow rate, using the formula below. One obvious way to reduce clamping time is to set clamps as close to the workpiece as possible, to use as little stroke as possible.

$$\text{Extend time (sec)} = \frac{\text{Maximum fluid req'd for all clamps (cu.in.)} \times \text{Portion of stroke used (usually 1/2)}}{\text{Power Unit flow rate (cu. in./min.)}}$$

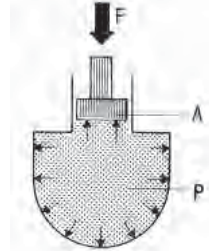
After extending, an additional volume of fluid must be pumped into the system to build pressure. This is due mainly to:

1. Compressibility of the hydraulic fluid (add about 4% of total system volume to build to 7250 psi)
2. Volume expansion of hydraulic hoses (.066 cu.in. per foot)
3. Charging an accumulator, if used

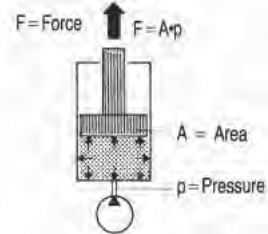
By calculating fluid required for each of the above factors, you can estimate pressure-building time. Using Sequence Valves lengthens clamping time, because each sequence step requires extending time and pressure-building time. To reduce clamping time, set Sequence-Valve trigger pressure as low as possible. With multiple Sequence Valves, set trigger-pressure differences at their minimum allowables value.

9. Other Hydraulic Considerations

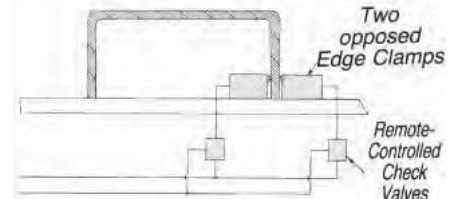
The basis of hydraulic clamping systems is "Pascal's Law", which says that if pressure is applied to a static fluid that is completely enclosed, that pressure is transmitted equally in all directions: This principle is used to transmit force to remote locations,



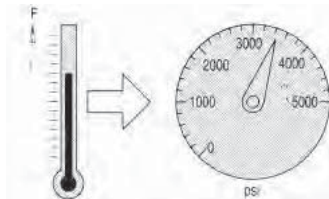
via hose, tubing, or drilled passages. When hydraulic pressure acts on a clamp's piston area, it generates external force according to the physical relationship $F=P \times A$:



Clamping with hydraulics causes some strange effects not occurring with manual clamps. One such phenomenon is fluid shifting between equal-force opposing clamps.



In the example above, the two opposed clamps allow the workpiece to float between them. Pushing on one clamp encounters no resistance because fluid just shifts to the opposing clamp (if the check valves were not present). Do not let equal-force clamps oppose each other without Remote-Controlled Check Valves.



Another strange effect is pressure change due to temperature change of a closed system. In fact, pressure changes about 80 psi per 1° F! Be careful of excessive temperature changes, especially increases. Use a Pressure-Relief Valve for safety.

10. Hydraulic Symbols and Circuit Diagrams

Hydraulic symbols and diagrams are a useful "shorthand" method of describing how a clamping circuit works without detailed drawings. The following pages show two circuit examples, and a summary listing of hydraulic symbols.



Carr Lane Roemheld Mfg. Co.

Sales — Phone (314) 647-6200 Fax (314) 647-5736

Engineering — Phone 1-800-827-2526 Web roemheld-usa.com

Design Information

Bleeding of the Spring Area ■ A0.110

Introduction

Due to increased use of coolants and cutting fluids in machining, there is an increased possibility that these fluids may penetrate into the spring areas of single acting cylinders and work supports. Many fluids can cause corrosion, which can lead to malfunction and possible failure.

Why bleeding is necessary

If not vented, excess pressure or vacuum in the spring area changes the spring forces which may lead to malfunctions.

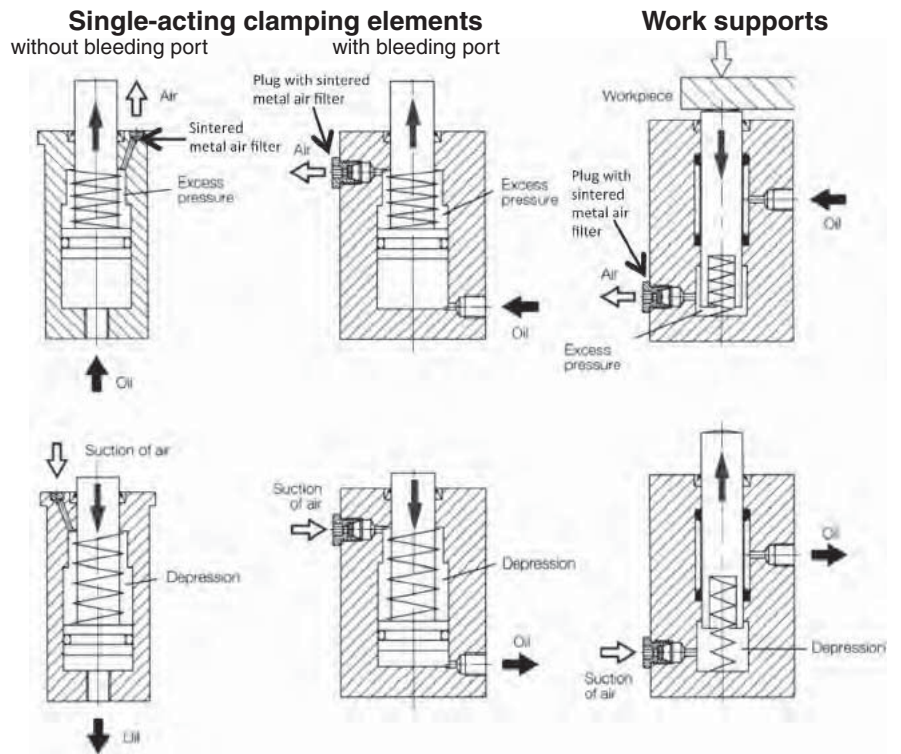
Condensation from coolants can lead to corrosion on the piston, spring or housing.

Leakage of hydraulic seals must drain properly to avoid malfunctions.

Using sintered metal filters minimizes dust and chips.

Liquids are the real problem because they can be drawn through the air filter. This can cause the spring area to be reduced. Malfunctions can occur due to this excess pressure or vacuum.

Catalog elements with bleeding of the spring area



Venting of Spring Air ■ A0.110

Cover

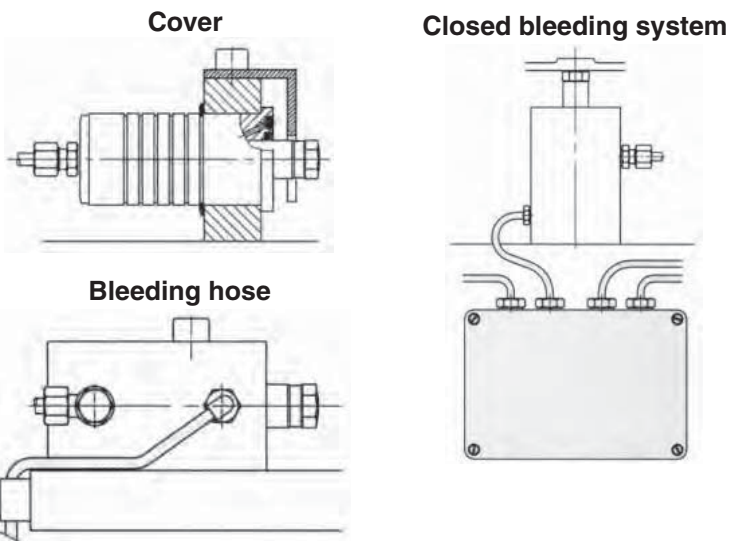
Clamping elements without bleeding port can be covered, but due to today's normal quantities of coolants this does not seem to be successful. In such applications you should use other clamping elements, preferably double-acting elements.

Bleeding hose

Connection of a bleeding hose is preferred and the opening is to be displaced to a point where no liquid can penetrate.

Closed bleeding system

Connecting the breather port to an external area can increase the spring area volume. By doing this, the amount of additional pressure or vacuum generated is minimal. This serves a dual purpose in allowing the spring area to be vented as well as protection from aggressive coolants. A good solution is to use sealed electrical wiring boxes with connecting threads. **The volume of this additional area should be ten times the stroke volume of all connected elements.**



Subject to change. For further details, including detailed dimensions and mounting instructions, visit roemheld-usa.com.



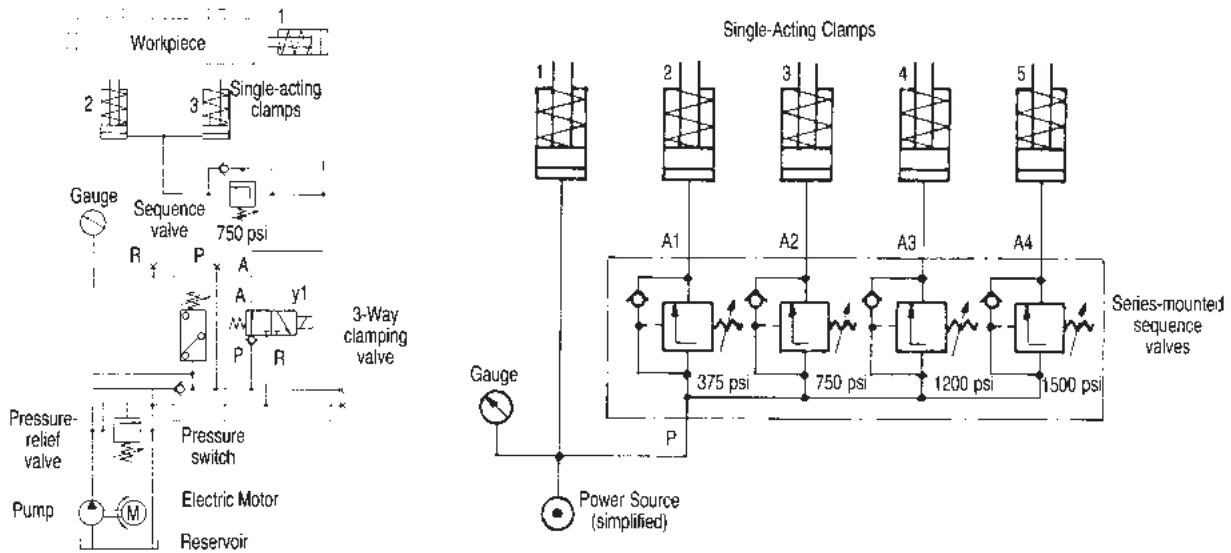
Carr Lane Roemheld Mfg. Co.

Sales — Phone (314) 647-6200 Fax (314) 647-5736

Engineering — Phone 1-800-827-2526 Web roemheld-usa.com

Design Information

Example Hydraulic Circuit Diagrams



Clamp & Cylinder Symbols		Valve Symbols	
	Push clamp or cylinder, single acting		Electric Power unit, consisting of a fluid reservoir, pump, electric motor, pressure-relief valve, pressure switch, clamping valve, and gauge.
	Push clamp or cylinder, double acting		Electric motor, showing direction of rotation
	Pull clamp, single acting		Constant displacement pump
	Swing clamp, single acting		Variable displacement pump
	Swing clamp, double acting		Fluid reservoir
	Extending clamp, single acting		Fluid filter
	Extending clamp, double acting	Valve Symbols	
	Work support, spring extended		3/2 directional-control valve (3-way, 2-position), complete symbol with solenoid operator and spring return (normally open)
	Work support, fluid advanced		Boxes showing valve positions (two). For valves with spring return, the neutral position is shown at left (0).
	Work support, air advanced		Inlet and outlet connections are drawn at the neutral-position box, and are designed by capital letters: P = Inlet pressure from pump A,B,C... = Operating connections R,S,T = Outlet return (tank) L = Leakage line Z,Y,Z = Control Lines
Power Source Symbols			
	Power source (simplified)		

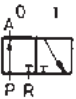

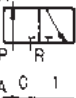



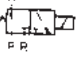





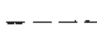
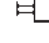
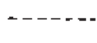


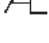



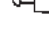


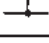

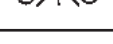
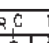




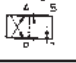




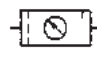


Carr Lane Roemheld Mfg. Co.

Sales — Phone (314) 647-6200 Fax (314) 647-5736

Engineering — Phone 1-800-827-2526 Web roemheld-usa.com

Design Information

	Flow lines and directions are shown in each valve-position box. Lines show flow path, arrows show flow direction. Shutoffs are designated by capped-off lines inside the box.		Check valve
	Valves can be normally open, as shown on top (clamped in neutral position), or normally closed, as shown on bottom (unclamped in neutral position)		Remote-controlled check valve (pilot operated)
			Shutoff valve
	Valve operators are shown outside the boxes		Pressure-relief valve
			Flow control valve, with unrestricted return line
Accessory Symbols			
	Solenoid operated		Operating line, pressure or return
	Spring operated (or returned)		Control line, for transmitting control/pilot signals
	Manually operated		Leakage line, for carrying away fluid leakage
	Detent position		Flexible line, such as hydraulic hose
	Lever operated		Line connection
	Foot-pedal operated		Line crossing, without connection
	Push-button operated		Pressure-connection point, such as a port
	Cam-roller operated		Bleeding point
	Plunger operated		Quick disconnect, coupled
	Air-pilot operated		Quick disconnect, decoupled
	2/2 directional-control valve, normally closed on top, normally open below.		Rotary coupling (2 passage shown)
		Accumulator	
	4/2 directional-control valve, for double-acting clamps		Gage
	Sequence valve, with unrestricted return line		Pressure switch
	Pressure-reducing valve, with unrestricted return line		Air filter/regulator/lubricator

Recommended Precautions For The Designer, Builder & Operator



IMPORTANT: READ THIS SHEET CAREFULLY BEFORE OPERATING.

Roemheld power workholding components are high quality products, engineered and manufactured to give you long, dependable and safe performance. For proper and safe operation, please follow all instructions on this sheet. Save these instructions for future reference.

SERVICE NOTE: Most Roemheld components are 100% individually tested for proper operation before leaving the factory. Please recheck these instructions if your new unit does not work properly. Should any component ever need service, please contact the factory. Do not disassemble the unit yourself — many are not user serviceable. Roemheld components incorporate advanced sealing technologies that eliminate the need for routine seal replacement.

TUBING: Use only *steel* tubing as specified in the Roemheld catalog: Seamless steel tubing, C1010, cold drawn, fully annealed, 5/16 OD, .065 wall thickness (Certified to 37,500 psi burst). Follow all tubing installation guidelines. We highly recommend the CLR-300-TL flaring tool to effectively flare this heavy-walled tubing.

HOSES: Use only hydraulic hoses as specified in the Roemheld catalog: 1/4 ID hydraulic hose, 25,520 psi min. burst pressure, (2) female swivel-nut ends, 5/16 JIC 37° flare.

FLUID CONNECTIONS: Connect fluid lines to the 5/16 JIC 37° flare male connection on each clamp (two for double-acting clamps). This fitting accepts either 5/16 OD 37° flared tubing, or a hydraulic hose with 5/16 JIC 37° swivel nuts (female) at each end. **Do not screw NPT pipe fittings into Roemheld components, or use NPT fittings anywhere in a workholding system.** Roemheld fittings are 5/16 JIC 37°. These fittings offer a positive metal-to-metal seal. **Do not use teflon tape or sealant.** Do not use fitting sizes other than 5/16. This size is ideal for workholding fixtures. Smaller tube sizes have poor flow rates. Larger tube sizes are not readily available with sufficient wall thickness for high pressure operation, and are difficult to flare. Never use brass fittings.

OPERATING PRESSURE: Do not operate components above their maximum allowable fluid pressure stated in the Roemheld catalog (7250 psi for most components). Always use a gauge to monitor fluid pressure. Locate pressure gauge where the machine operator can easily read it. Often, placing it directly on the machining fixture is best. All Roemheld Electric and Air Power units include a fluid-pressure gauge.

ADDITIONAL SAFETY PRECAUTIONS: If losing fluid pressure (due to a cut hose, etc.) would pose any danger to the operator, install a pressure switch, or other pressure-monitoring device, to monitor system pressure. This switch electrically signals the machine tool to shut down if fluid pressure is inadequate.

COMPONENT COMPATIBILITY: Do not mix non-Roemheld components into a Roemheld power-workholding circuit. Other brands are not leakfree, and their performance may be unpredictable.

HYDRAULIC FLUID: Always use absolutely clean, fresh hydraulic fluid. Fill the fluid under absolutely clean conditions. **Almost all service problems are caused by dirty, contaminated fluid. Fluid must be clean to 10 micron or better nominal filtration.** Use only the following DIN 51524, HLP, ISO Grade fluids to preserve your warranty:

Oil Temp. [°C]	Designation [as per DIN 51524]	Application
10-40	HLP 22	Power units with poppet valves or single acting circuits
15-50	HLP 32	Mechanical pumps or double acting circuits

See also CLR-000-V, high pressure in-line filter.

BLEEDING AIR: Usually components will bleed trapped air automatically when you clamp and unclamp them several times. If manual bleeding is still necessary, bleed at an elevated tube or hose connection, farthest from the power source. With the clamps actuated (system pressurized) slightly loosen the connection. After fluid seeps out for a few seconds, retighten. Repeat at other connections if necessary. After bleeding, unclamp (depressurize system) and refill the power sources fluid reservoir.

CAUTION: ALWAYS KEEP HANDS CLEAR OF POWER CLAMPS DURING OPERATION. THESE COMPONENTS EXERT VERY HIGH FORCES AND CAN CAUSE SERIOUS INJURY. DISCONNECT POWER SOURCE BEFORE CONNECTING, DISCONNECTING, ADJUSTING, OR OTHERWISE HANDLING COMPONENTS.

FLOW CONTROL: When using Swing Clamps, Extending Clamps, or Fluid-Advanced Work Supports with a high-flow-rate power source, make sure the fluid flow rate to each component is under the maximum stated in the catalog. Otherwise the components may not activate properly. See the Roemheld catalog for flow control valves.

FLOOD COOLANT: Work Supports and Swing Clamps have air vents protected by sintered-metal filters. These vents could draw in coolant if the components are submerged. To prevent this, attach an air vent tube via the tapped hole provided (see each component's catalog page for air-vent-fitting part numbers).

PRESS-TOOL CLAMPING: Clamping die sets on presses require different components and safety devices than found in our Roemheld Power Workholding catalog. Contact factory for press-tool clamping systems.

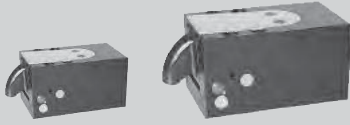
MOUNTING: Carefully follow mounting instructions as shown in the Roemheld catalog for each component.



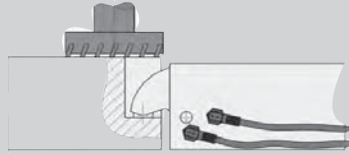
Carr Lane Roemheld Mfg. Co.

Sales — Phone (314) 647-6200 Fax (314) 647-5736
Engineering — Phone 1-800-827-2526 Web roemheld-usa.com

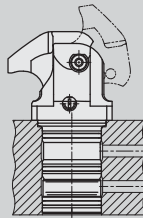
Down-Holding Clamps



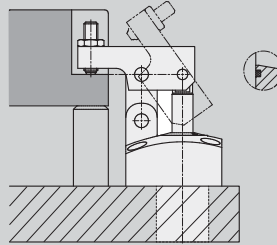
Flat Profile
pages 613-614



Compact Clamps
page 616



Hinge/Link Clamps
pages 617-618



Extending Clamps

Arm extends forward to clamp, then retracts again for clear loading when unclamped. Ideal for clamping in narrow recesses.

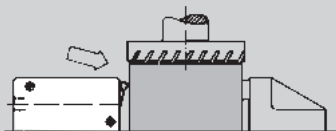
Flat Profile Clamps extend in a smooth, continuous radial motion. The arm retracts fully for loading. Choice of swivel-pad arm or spherical-nose arm. **Compact** Clamps have a sturdy lever mechanism that pivots into clamping position. These clamps are extremely compact both in footprint and overall height. The clamping lever pivots a full 90° for clear loading even when using custom long clamping levers. Ideal for clamping in narrow recesses.

Compact Clamps have a metallic wiper edge, and are especially suited for applications where space is limited. Two different clamping levers are available, which can be machined to adapt to your workpiece, then swiveled into small recesses for unimpeded loading and unloading. Four different sizes of the clamp are available, each with a short or long clamping arm.

Hinge or Link Clamps are ideal in narrow recesses, and have a fully retractable arm for clear loading from above. Hinge clamps are ideal for manifold mounting, and are available in more than 100 variations.



Low Profile
page 615



Edge Clamps

Nose advances to grip side of workpiece. Clamping thrust is both forward and down. Ideal when clamping from above would interfere with machining.

Low profile edge clamp sits below cutter path yet still clamps high on workpiece...important for solid, vibration-free clamping.

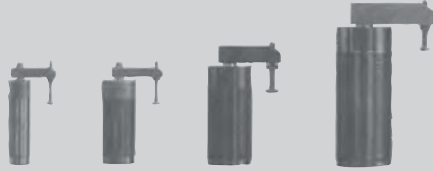


ROEMHELD
HILMA ■ STARK

Carr Lane Roemheld Mfg. Co.

Sales — Phone (314) 647-6200 Fax (314) 647-5736
Engineering — Phone 1-800-827-2526 Web roemheld-usa.com

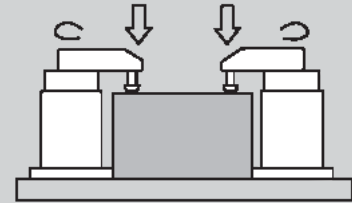
Down-Holding Clamps



pages 619-620

Air-Powered Swing Clamps

Ideal when only light clamping force is required. Powered by low-pressure shop air.



Flange Base

pages 621-622, 630



All Threaded

pages 621-622



Top Flange

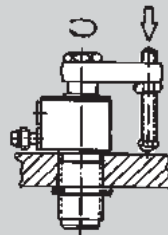
pages 623-624, 629

Swing Clamps

Arm swings 90 degrees then clamps down. Ideal when you need maximum reach and clearance for loading/unloading. Proprietary safety-clutch mechanism prevents damage if the clamping arm strikes an unexpected object during its swing.

Flange base swing clamp is good for taller workpieces. Very popular because it takes up little area on the fixture. Mount either on top of fixture or through fixture plate.

All threaded swing clamp is well-suited for through-hole mounting. Fittings are underneath clamp to keep plumbing away from workpiece area.



Top Flange swing clamp has high-level fittings. Mounts in a tapped or bored hole, with plumbing running above the fixture plate or using manifold mounting.

Swing Clamp Arms pages 626-628



CARR LANE ROEMHELD MFG. CO.

Sales — Phone (314) 647-6200 Fax (314) 647-5736

Engineering — Phone 1-800-827-2526 Web www.clrh.com

Extending Clamps ■ Flat Clamp ■ B1.8231

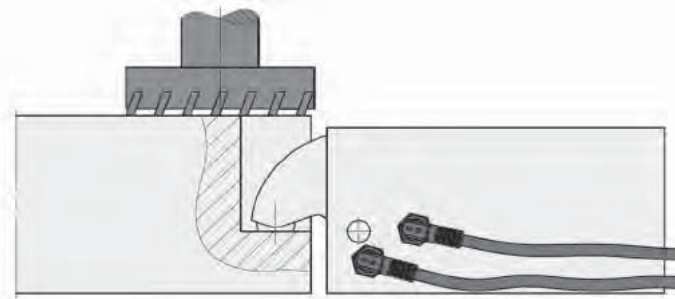
Flat Clamp ■ with optional position monitoring ■ Double Acting
Max. Operating Pressure ■ 7250 psi (500 bar)



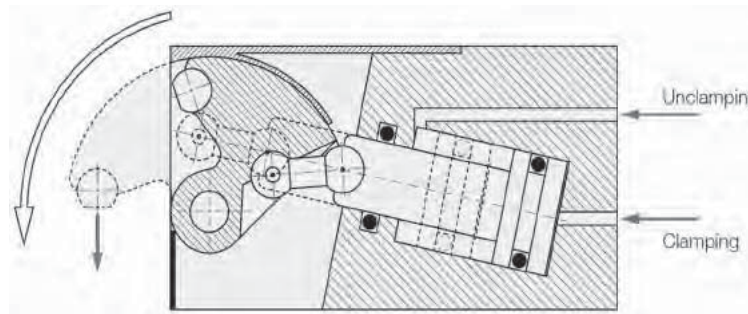
- Flat, compact design
- High protection against chips and spatter
- Large clamping stroke
- Clamping lever completely retracts
- Optional position monitoring
- Designed to resist side forces at the clamping point

The flat clamp is a double-acting hydraulic clamping element available in two sizes with two lever options. Oil can be supplied via fitting connection or manifold mounted. The clamping lever is connected to the piston by a connecting rod and retracts completely within the body of the clamp allowing for vertical part loading.

IMPORTANT NOTES: When mounted vertically, it is recommended to remove the cover plate to allow for coolant and chip drainage. Other notes can be found in A 0.100.



These extending clamps have an extremely low profile for excellent machining clearance.



Cutaway view of Swivel Nose Model

Subject to change. For further details, including detailed dimensions and mounting instructions, visit roemheld-usa.com.

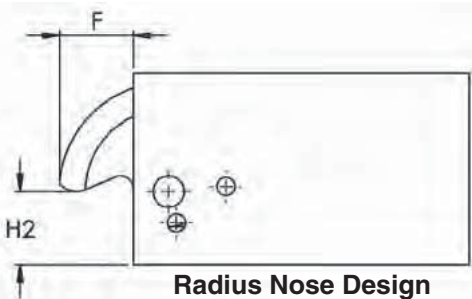
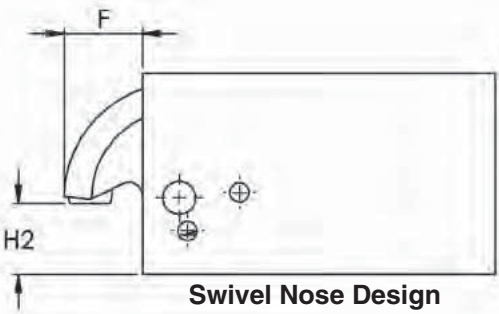
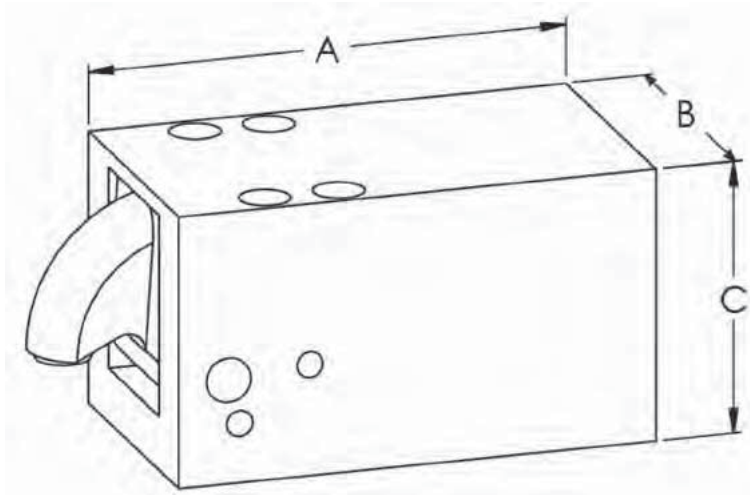


Carr Lane Roemheld Mfg. Co.

Sales — Phone (314) 647-6200 Fax (314) 647-5736
Engineering — Phone 1-800-827-2526 Web roemheld-usa.com

Extending Clamps ■ Flat Clamp ■ B1.8231

Flat Clamp ■ with optional position monitoring ■ Double Acting
 Max. Operating Pressure ■ 7250 psi (500 bar)



Swivel Pad Contact Bolt

Clamp Force (lbs)	Size	
	Size 1	Size 2
7250 psi	3050	4940
4000 psi	1680	2720
2000 psi	840	1360
A	4.27	5.08
B	2.36	2.95
C	2.30	2.89
F	0.94	1.12
H2 (min.)	0.75	0.96
Weight (lbs)	5.0	9.5
Part No., Clamp	CLR-1824-202	CLR-1824-262

Radius Nose Contact Bolt

Clamp Force (lbs)	Size	
	Size 1	Size 2
7250 psi	2760	4780
4000 psi	1520	2640
2000 psi	760	1320
H2 (min.)	0.71	0.87
Part No., Clamp	CLR-1824-201	CLR-1824-261

Accessories

Part No., Screw Plug G 1/4	CLR-810-F
Part No., Plug Connection NW5	CLR-9210-132
Part No., Inductive Prox Switch	CLR-3829-263
Part No., Rt Angle Plug for Switch	CLR-3829-099

Subject to change. For further details, including detailed dimensions and mounting instructions, visit roemheld-usa.com.



Carr Lane Roemheld Mfg. Co.

Sales — Phone (314) 647-6200 Fax (314) 647-5736
 Engineering — Phone 1-800-827-2526 Web roemheld-usa.com

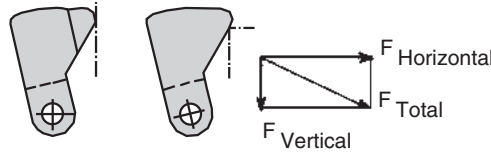
Edge Clamps

7250 psi max
Single acting



Low Profile

- Grips side of workpiece . . . pushes forward and down
- Ideal when clamping from above is difficult
- Down-holding force is 1/3 of total clamping force
- Sits low yet clamps high . . . just below the cutter path to reduce vibration
- Choice of three sizes

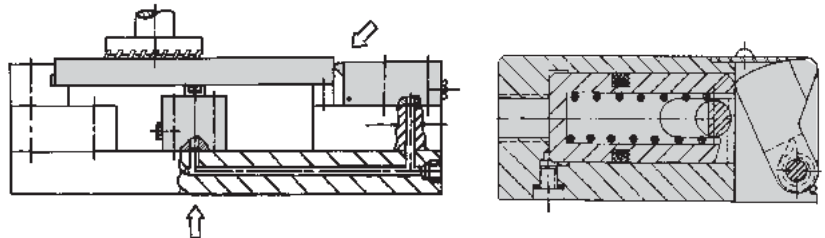
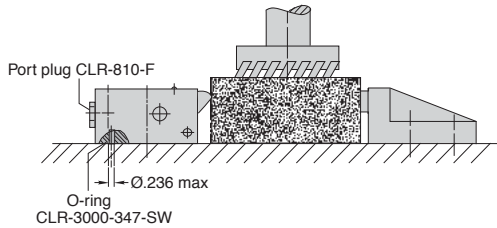
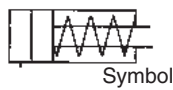


Low-profile edge clamps can be used to grip the side of a workpiece for machining clearance, or to clamp over the top edge.

CLAMPING ACTION: Fluid pressure advances the cylinder, which in turn pivots the nose forward and down to grip side of workpiece. Spring return.

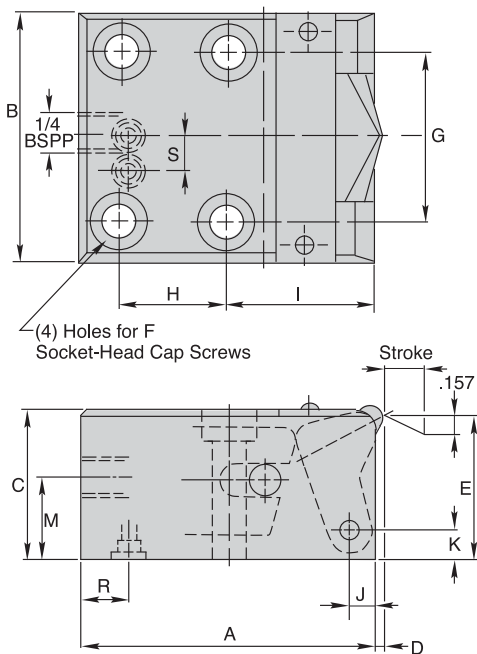
MOUNTING: Fasten with four socket-head cap screws. 1/4 BSPP connection. Same unit may be mounted without external plumbing lines. To manifold mount, order CLR-3000-347-SW O-ring and CLR-810-F port plug.

CONSTRUCTION: Internal cylinder pushes pivoting nose. Nose cover keeps out chips and debris. Body made from carbon steel, black oxide finish. Forged, alloy steel nose, hardened to RC 56-58. Nose is through-hardened so that it can be ground to suit the workpiece if desired.



Low-profile edge clamps can be mounted low, yet clamp up high, just below the cutter path to reduce vibration. Edge clamps can be manifold mounted on a flat surface by unplugging the bottom port and installing o-ring CLR-3000-347-SW, then plugging the 1/4 BSPP port with a CL-810-F port plug.

Edge clamp used with a block-type work support, both components manifold mounted for easy chip removal.



Clamping force (lbs)	7250 psi	1910	4495	8990
	6000 psi	1600	3700	7400
	5000 psi	1300	3100	6200
	4000 psi	1100	2500	5000
	3000 psi	790	1900	3700
Clamping stroke		.31	.39	.39
Fluid required (in. ³)		.10	.30	.62
Piston Ø		16mm	25mm	36mm
Force per 1000 psi (lbs)		260	612	1223
Max. operating pressure (psi)		7500	7500	7500
A		2.677	3.543	3.780
B		1.97	2.36	3.15
C		1.26	1.57	1.97
D		.079	0	.079
E		1.220	1.535	1.929
F		5/16 or M8	5/16 or M8	3/8 or M10
G		1.260	1.575	2.205
H		1.063	1.496	1.496
I		1.260	1.654	1.811
J		.217	.236	.315
K		.236	.354	.433
M		.75	.91	1.06
R		.512	.551	.630
S		0	0	.551
Weight (lbs)		2.0	2.5	4.6
Part No.		CLR-110-EC	CLR-310-EC	CLR-410-EC



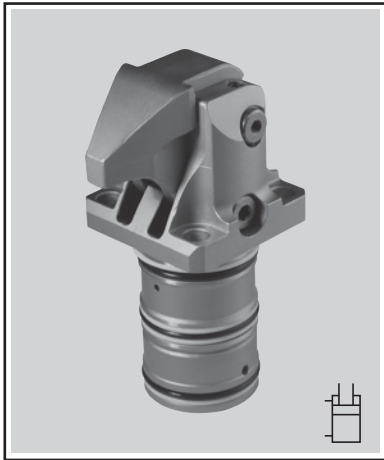
Carr Lane Roemheld Mfg. Co.

Sales — Phone (314) 647-6200 Fax (314) 647-5736

Engineering — Phone 1-800-827-2526 Web roemheld-usa.com

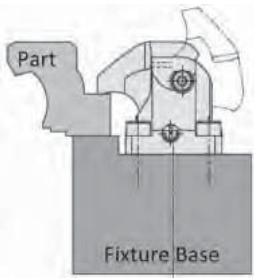
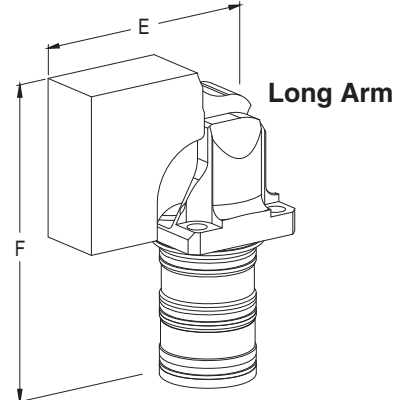
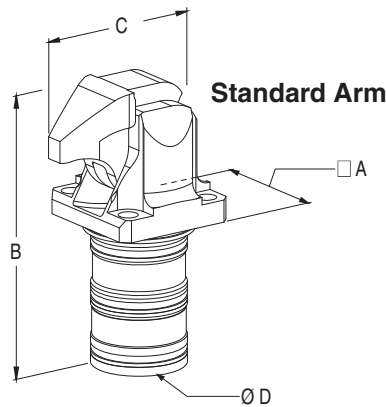
Extending Clamps ■ Compact Clamp ■ B1.827

Compact Clamp ■ Cartridge type with pneumatic clamping monitoring
 Double Acting ■ Max. Operating Pressure ■ 3625 psi (250 bar)

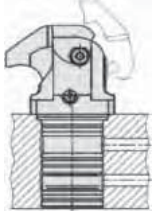


The compact clamp pivots over the workpiece, then clamps in a downward stroke without applying any side load to the part like similar clamps. When retracted, the arm is behind the front plane of the clamp allowing for unobstructed top loading. It has a small footprint with large clamping force. Metal wiper on piston rod and nitrated finish helps protect

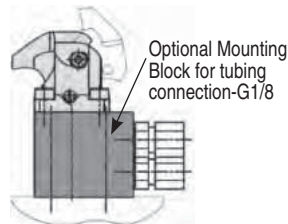
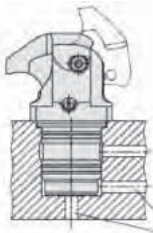
this clamp from chips and coolant for a long life cycle. Four Sizes, three mounting options and two arm options help the designer choose the optimal clamp for their application. The long arm can be machined to fit into pockets. The clamp for closed bore mounting does not include the lower protective cap which makes the overall height shorter.



Open Bore Mounting



Closed Bore Mounting



		Size 1	Size 2	Size 3	Size 4
Clamp Force (lbs)	3625 psi	560	900	1680	2360
	2000 psi	310	495	930	1300
	1000 psi	150	245	465	650

Open Bore Mounting

	Size 1	Size 2	Size 3	Size 4
A	1.34	1.65	1.89	2.17
B	3.03	3.33	3.90	4.15
C	1.73	1.93	2.38	2.52
Ø D	0.98	1.26	1.57	1.77
E	2.19	3.19	3.60	3.74
F	3.38	3.60	3.90	4.15
Weight standard version	0.60	1.06	1.87	2.31
Part No., Clamp - Standard Arm	CLR-1801-110	CLR-1802-110	CLR-1803-110	CLR-1804-110
Part No., Clamp - Long Arm	CLR-1801-130	CLR-1802-130	CLR-1803-130	CLR-1804-130

Closed Bore Mounting

	Size 1	Size 2	Size 3	Size 4
B	2.73	2.97	3.58	3.77
F	3.09	3.24	3.59	3.77
Weight standard version	0.53	0.93-EXD	1.68	2.03
Part No., Clamp - Standard Arm	CLR-1801-111	CLR-1802-111-EXD	CLR-1803-111-EXD	CLR-1804-111-EXD
Part No., Clamp - Long Arm	CLR-1801-131	CLR-1802-131	CLR-1803-131	CLR-1804-131

Accessories

Part No., Spare Standard Arm	CLR-3548-1121	CLR-3548-1122	CLR-3548-1123	CLR-3548-1124
Part No., Spare Long Arm	CLR-3548-1071	CLR-3548-1072	CLR-3548-1073	CLR-3548-1074
Part No., Mounting Block	CLR-3468-381	CLR-3468-382	CLR-3468-383	CLR-3468-384

Subject to change. For further details, including detailed dimensions and mounting instructions, visit roemheld-usa.com.

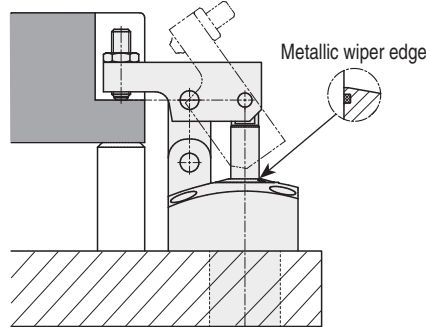
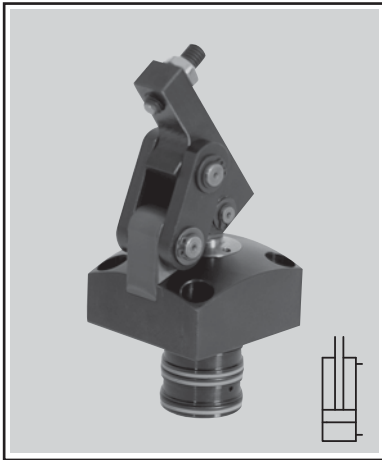


Carr Lane Roemheld Mfg. Co.

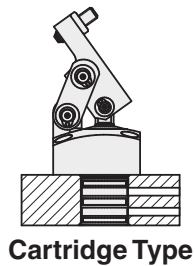
Sales — Phone (314) 647-6200 Fax (314) 647-5736
 Engineering — Phone 1-800-827-2526 Web roemheld-usa.com

Extending Clamps ■ Hinge Clamp ■ B1.8251

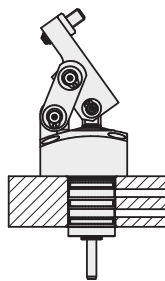
Hinge Clamp ■ with metal wiper and optional position monitoring
Double Acting ■ Max. Operating Pressure ■ 3625 psi (250 bar)



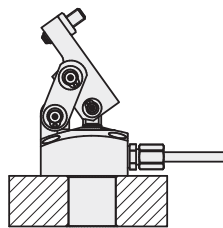
The hinge clamp family of workholding clamps offer many different variations in order to satisfy your fixturing goal. As the hydraulic piston moves upward, the hinge mechanism swivels the arm over your workpiece. The optimized design location of the pins and linkage can reduce or eliminate the transmission of side loading into your part. When retracted, the standard arm is behind the front plane of the clamp allowing for unobstructed top loading. It has a small footprint with large clamping force and FKM seals are standard. Metal wiper on piston rod and contoured top surface provides excellent protection from chips and coolant drainage for a long life cycle. Three sizes, three mounting options, and two arm options help the designer choose the optimal clamp for their application. The long arm can be machined to fit into pockets.



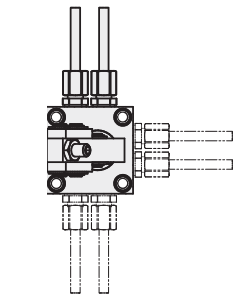
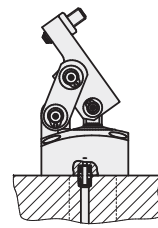
Cartridge Type



Cartridge type with extended piston for position monitoring

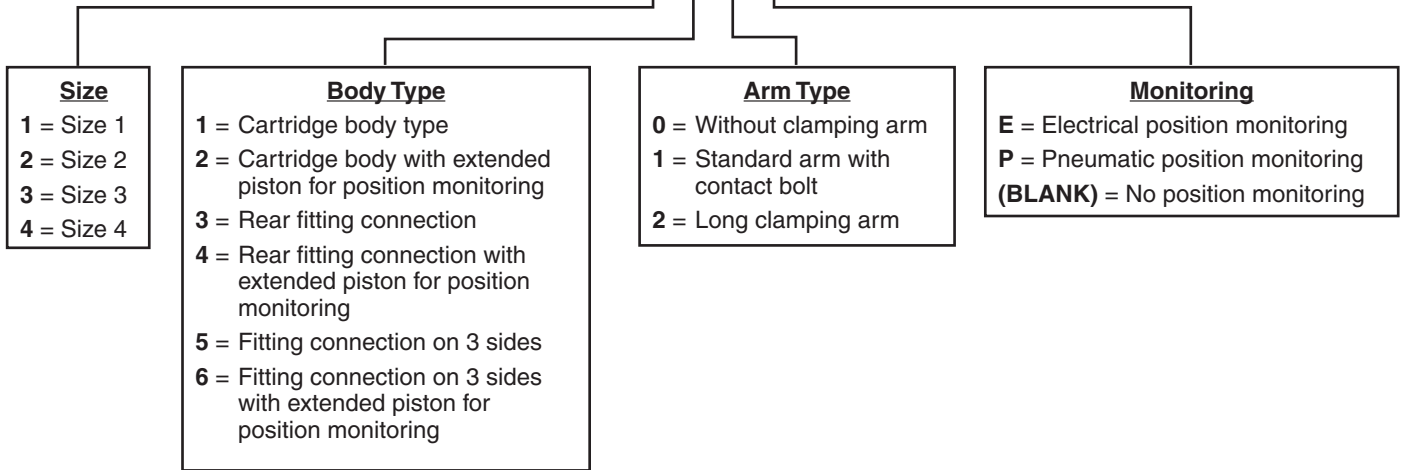


Solid body type shown with actuation via fitting connection (left) or connecting insert (right)



Fitting connections on three sides

Part Number Coding: CLR-1825-X X X X



Example: CLR-1825-231 = Size 2 clamp with rear fitting connection, standard arm and no monitoring.

Subject to change. For further details, including detailed dimensions and mounting instructions, visit roemheld-usa.com.



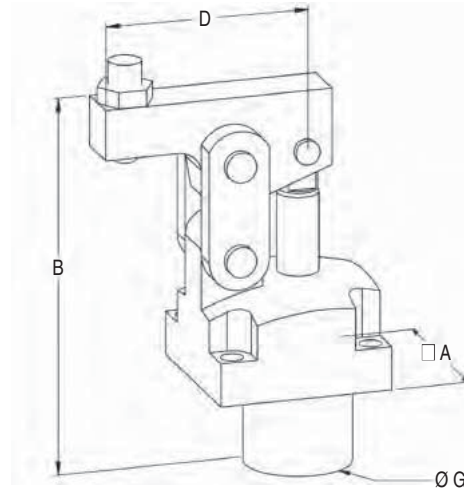
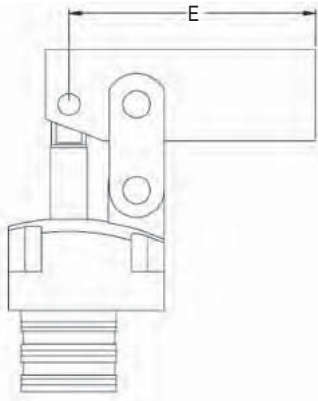
Carr Lane Roemheld Mfg. Co.

Sales — Phone (314) 647-6200 Fax (314) 647-5736
 Engineering — Phone 1-800-827-2526 Web roemheld-usa.com

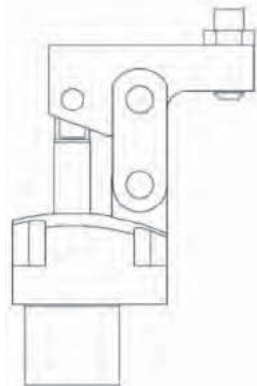
Extending Clamps ■ Hinge Clamp ■ B1.8251

Hinge Clamp ■ with metal wiper and optional position monitoring
Double Acting ■ Max. Operating Pressure ■ 3625 psi (250 bar)

Cartridge Body Style With Long Arm



Solid Body Type With Standard Arm



Clamping Force (lbs)		Size 1	Size 2	Size 3	
		3625 psi	890	2240	3190
		2000 psi	490	1240	1760
	1000 psi	240	620	880	

Cartridge type

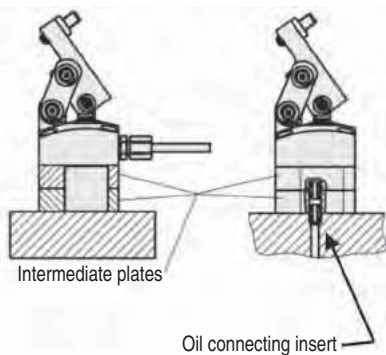
	Size 1	Size 2	Size 3
A	2.17	2.76	3.35
B	4.41	6.26	7.38
D	2.07	2.85	3.39
E	3.27	4.51	5.32
G	1.18	1.65	2.05
Weight standard version (lbs)	2.4	6.0	10.2
Part No., Clamp - Standard Arm	CLR-1825-111	CLR-1825-211	CLR-1825-311
Part No., Clamp - Long Arm	CLR-1825-112	CLR-1825-212	CLR-1825-312

Fitting connection type

	Size 1	Size 2	Size 3
Part No., Clamp - Standard Arm	CLR-1825-131	CLR-1825-231	CLR-1825-331
Part No., Clamp - Long Arm	CLR-1825-132	CLR-1825-232	CLR-1825-332

Accessories

	Size 1	Size 2	Size 3
Part No., Intermediate Plate	CLR-3456-449	CLR-3456-468	CLR-3456-489
Part No., Oil Connecting Insert	CLR-9210-145	CLR-9210-145	CLR-9210-145



Subject to change. For further details, including detailed dimensions and mounting instructions, visit roemheld-usa.com.



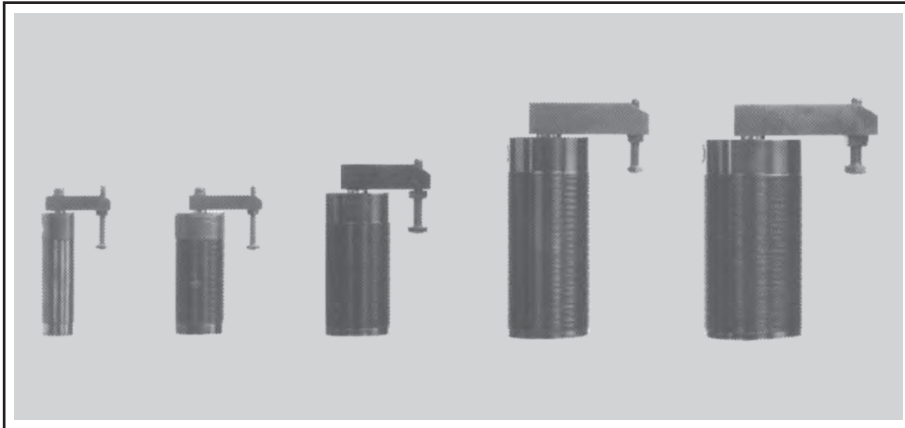
Carr Lane Roemheld Mfg. Co.

Sales — Phone (314) 647-6200 Fax (314) 647-5736

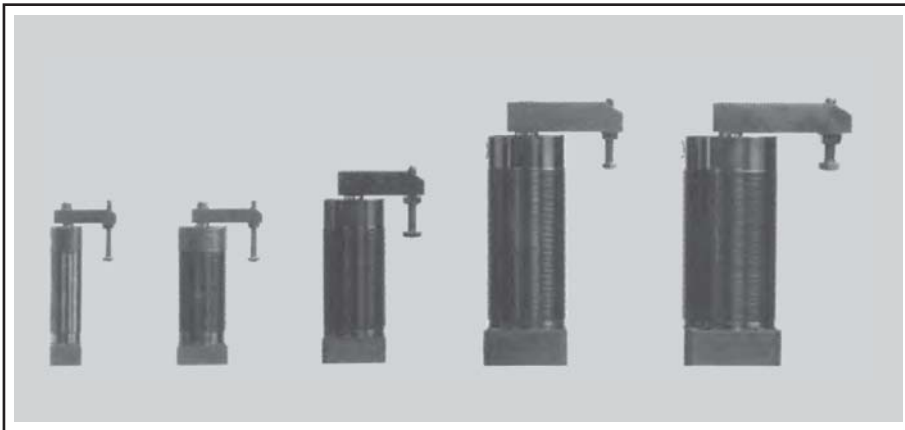
Engineering — Phone 1-800-827-2526 Web roemheld-usa.com

Air-Powered Swing Clamps

100 psi air max
Double acting only



All Threaded



Flange Base

- Use when light clamping force is desired
- Operates by air...no hydraulic power source needed
- Available with standard or long arm
- Double acting...clamp and return by air pressure
- Choice of five sizes

CLAMPING ACTION: Applying air pressure to upper port swings clamping arm 90° over the workpiece, then clamps down.

Note: Arm also moves down while swinging (see chart for stroke during swing). To unclamp, switch air pressure to the lower port. Choose part number for clockwise or counterclockwise rotation into clamping position.

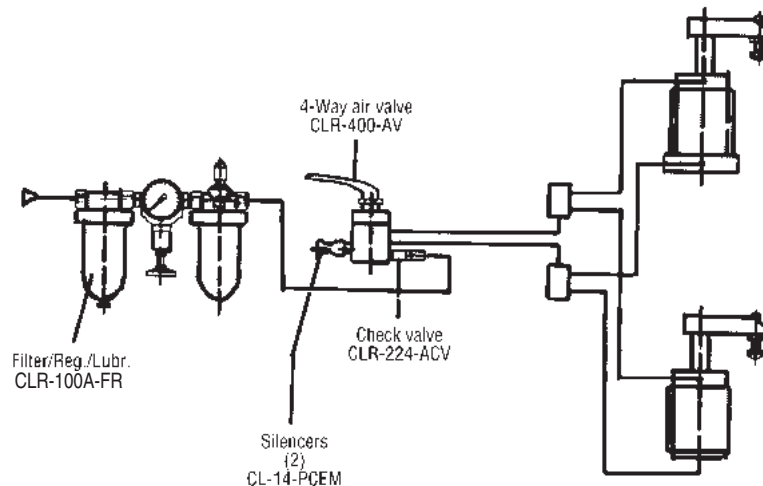
MOUNTING FLANGE BASE: Fasten base to fixture with four cap screws. Mount in any position horizontal or vertical.

MOUNTING, ALL THREADED: Mount in a bored hole, using the two locknuts furnished.

DESIGN CONSIDERATIONS: Do not use with hydraulic fluid, or above 100 psi (87 psi with long arm). Use an air check valve between the air supply and the 4-way air valve and clamps, and periodically check for leaks. Any leaks there would cause clamping pressure loss if the shop air supply fails. To ensure long clamp life, we recommend installing an Air Extractor/Dryer before the Filter/Regulator/Lubricator.

CLAMP ARM: Flange-base type can be mounted to start its 90° swing from any of four positions, 90° apart. All threaded type can be mounted to start its 90° swing from any position. Standard-length arm is furnished with clamp. Order long arm separately. Adjustable contact bolt furnished.

NOTE: These air clamps do not have safety clutch like hydraulic swing clamps.



Connection Example



Carr Lane Roemheld Mfg. Co.

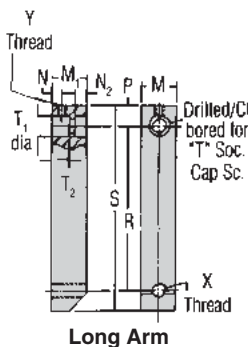
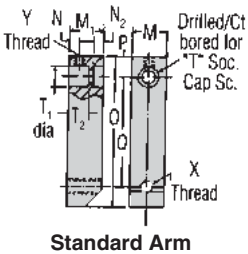
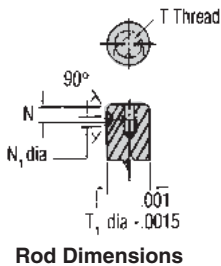
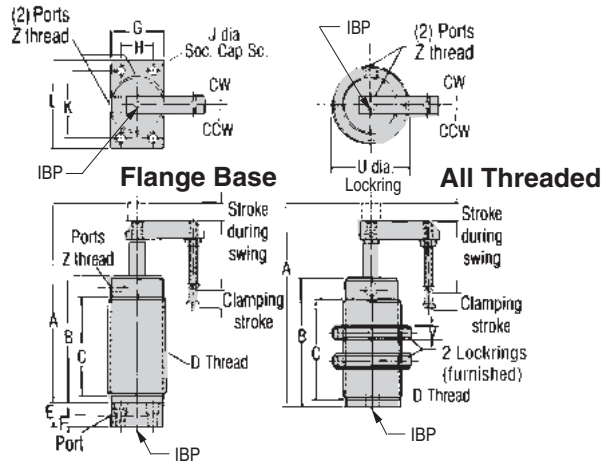
Sales — Phone (314) 647-6200 Fax (314) 647-5736
Engineering — Phone 1-800-827-2526 Web roemheld-usa.com

Air-Powered Swing Clamps

100 psi air max
Double acting only



New miniature size for light-force applications where space is at a premium.



Maximum clamping force std. arm, at 100 psi (air)	20	41	107	167	277
	Lbs	Lbs	Lbs	Lbs	Lbs
Max. air pressure, std. arm (psi)	100	100	100	100	100
Max. air pressure, long arm (psi)	87	87	87	87	87
Minimum air pressure (psi)	58	58	58	58	58
Clamping stroke	9/32	9/32	13/32	19/32	19/32
Stroke during swing	9/32	9/32	5/16	21/32	21/32
A, flanged/all threaded	3-27/32 3-25/32	3-27/32 3-25/32	4-1/2	6-9/16	6-9/16
B, flanged/all threaded	2-23/32 2-5/8	2-23/32 2-5/8	3-3/16	4-1/2	4-1/2
C	1-7/8	1-7/8	2-3/8	3-17/32	3-17/32
D	M20x1.0	M30x1.5	M40x1.5	M50x1.5	M60x1.5
E	15/32	15/32	5/8	7/8	7/8
F	3/16	3/16	3/8	1/2	1/2
G	3/4	1-3/16	1-1/2	1-31/32	2-1/4
H	—	.669	.906	1.181	1.575
J dia	1/4	1/4	1/4	5/16	5/16
K	1.378	1.693	1.969	2.362	2.598
L	1-31/32	2-3/8	2-9/16	3-5/32	3-11/32
M	15/32	15/32	19/32	3/4	3/4
M1	11/32	11/32	19/32	3/4	3/4
N	.138	.138	.138	.157	.157
N1	.138	.138	.138	.157	.157
N2	—	—	.236	.275	.275
O	1-15/32	1-21/32	2-1/16	2-3/4	3-5/16
P	9/32	9/32	13/32	15/32	15/32
Q	1	1-3/16	1-3/8	2	2-3/8
R	1-9/16	1-31/32	2-5/32	2-15/16	3-9/16
S	2-1/16	2-7/16	2-27/32	3-3/4	4-1/2
T	M4x10*	M4x10*	M5x10	M6x14	M6x14
T1 dia	.315	.315	.472	.591	.591
T2	.276	.276	.276	.315	.315
U dia	1-3/8	1-3/4	2-3/8	2-3/4	3-5/32
V	3/8	3/8	3/8	15/32	19/32
X	M4x0.7	M4x0.7	M6	M6	M8
Y	M3x0.5	M3x0.5	M4x0.7	M4x0.7	M4x0.7
Z	#10-32	#10-32	#10-32	1/8 NPT	1/8 NPT
Wt., flanged/all threaded (lbs)	1.0/0.8	1.2/0.9	1.8/1.1	4.0/2.8	5.3/3.7
Part no., flanged base CW	CLR-1872-104-ASC	CLR-1873-104-ASC	CLR-1874-104-ASC	CLR-1875-104-ASC	CLR-1876-104-ASC
Part no., flanged base CCW	CLR-1872-204-ASC	CLR-1873-204-ASC	CLR-1874-204-ASC	CLR-1875-204-ASC	CLR-1876-204-ASC
Part no., all threaded CW	CLR-1872-304-ASC	CLR-1873-304-ASC	CLR-1874-304-ASC	CLR-1875-304-ASC	CLR-1876-304-ASC
Part no., all threaded CCW	CLR-1872-404-ASC	CLR-1873-404-ASC	CLR-1874-404-ASC	CLR-1875-404-ASC	CLR-1876-404-ASC
Spare clamping arm, STD	CLR-0187-201-ASCA	CLR-0187-301-ASCA	CLR-0187-401-ASCA	CLR-0187-501-ASCA	CLR-0187-601-ASCA
Spare clamping arm, long	CLR-0187-202-ASCA	CLR-0187-302-ASCA	CLR-0187-402-ASCA	CLR-0187-502-ASCA	CLR-0187-602-ASCA
Spare locking	CLR-200-ASCA	CLR-300-ASCA	CLR-400-ASCA	CLR-500-ASCA	CLR-600-ASCA

*Arm not counterbored (for capscrew). To avoid damage, clamps must take at least one full second to clamp.



Carr Lane Roemheld Mfg. Co.

Sales — Phone (314) 647-6200 Fax (314) 647-5736

Engineering — Phone 1-800-827-2526 Web roemheld-usa.com

Swing Clamps

7250/3000 psi max
Single and double acting

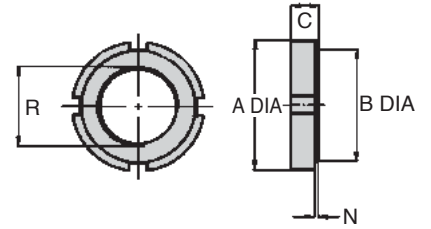


Flange Base

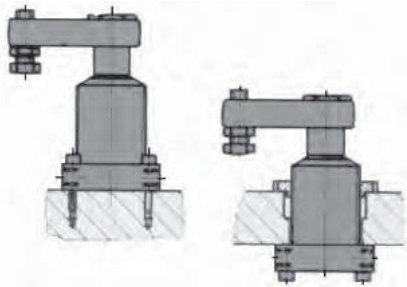


All Threaded

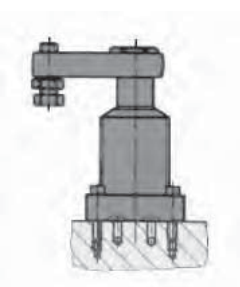
- Popular series of swing clamps that provides many plumbing options
- Unique safety clutch prevents damage if arm strikes an object during swing
- Double-acting clamps are also available with longer clamping strokes (25mm or 50mm). Please contact factory.
- Choice of four sizes (3, 5, 6, and 7 series)



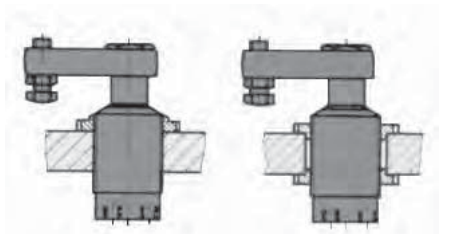
Lock Ring



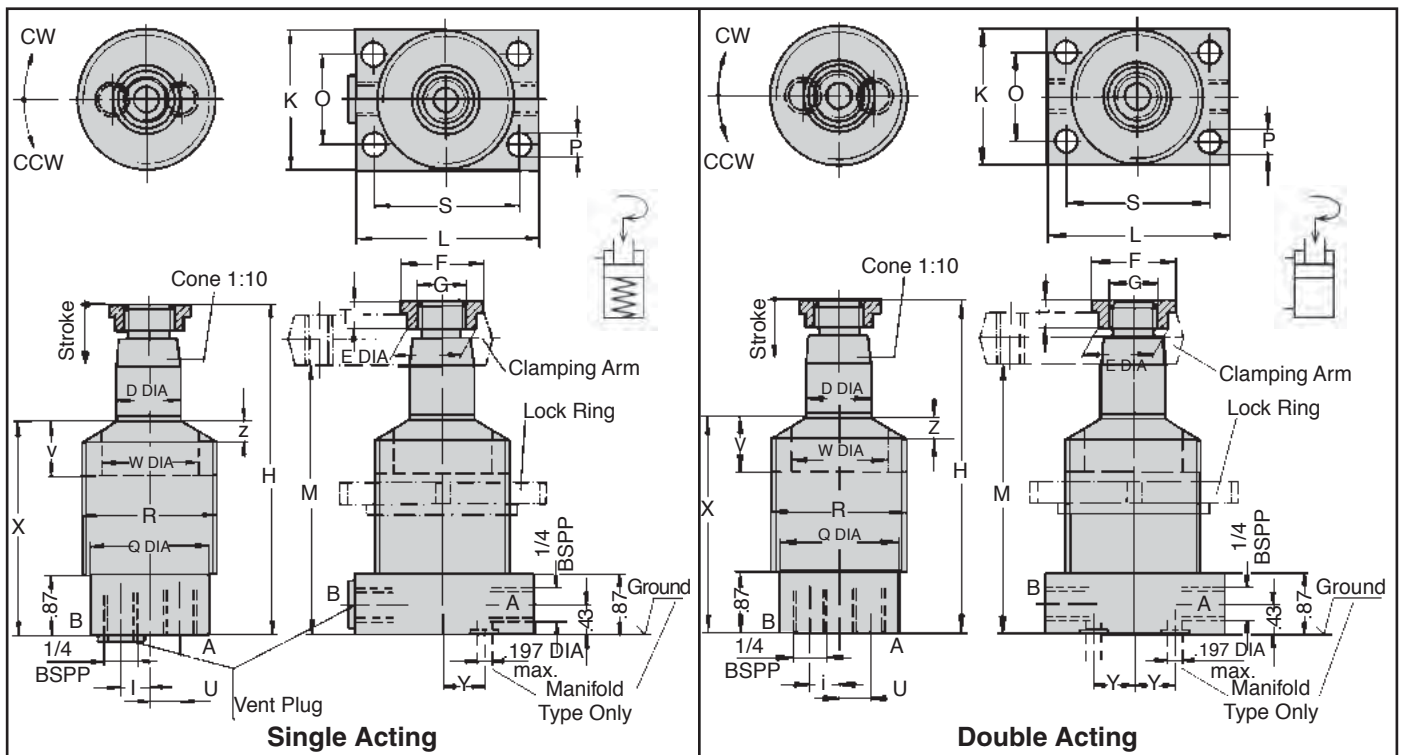
Version 1
Flange Base
Standard Fittings



Version 2
Flange Base
Manifold Mounted



Version 3
All Threaded
Standard Fittings



Carr Lane Roemheld Mfg. Co.

Sales — Phone (314) 647-6200 Fax (314) 647-5736
Engineering — Phone 1-800-827-2526 Web roemheld-usa.com

Swing Clamps

7250/3000 psi max
Single and double acting

CLAMPING ACTION: Fluid pressure swings arm 90° over workpiece then clamps down. Spring return lifts arm then swings in back 90° for loading/unloading. Optional fluid return version (double-acting). Choose either clockwise or counterclockwise rotation to clamping position.

MOUNTING: Choose from many possible mounting methods: (1) Fasten to top of fixture plate with four capscrews inserted through flange base from above; (2) Mount through a hole in the fixture plate, fastening with four capscrews inserted through flange base from below; (3) Mount through a bored hole and secure with two lockrings. Mount in any position, horizontal or vertical. Standard clamping arm requires a rear support.

DESIGN CONSIDERATIONS: The clamping arm must go through its full swing to operate properly. Stopping the arm short by obstructing it could possibly cause damage. Use low operating pressure during initial setting. May require a simple flow-control valve if fixture contains only a few clamps and is powered by a high-flow-rate power source. See power source pages to check. Cycle time must be at least one second.

STANDARD CLAMPING ARM: Rugged nodular iron arm pivots on a forged steel carrier. Arm can be mounted to start its 90° swing from any position within 360°. Contact bolt furnished.

OPTIONAL HALF ARM: Forged steel, furnished with contact bolt. Whenever possible, use standard clamping arms, with rear supports, for best mechanical leverage and full clamping force. Half arms are more compact and useful when there is no room for a rear support, but the maximum clamping force is greatly reduced. Half arms cause bending in the piston rods. This bending lowers the allowable maximum fluid pressure to 3000 psi. Exceeding 3000 psi can cause internal damage and decrease service life considerably. Arm extensions will further reduce the allowable operating pressure (inversely proportional to arm length.) To order Swing Clamps with half arms instead of standard arms, add an "H" to the part no.

FLUID CONNECTION: Male 37° tubing/hose connection (two with double-acting clamps). Do not use NPT fittings.

CONSTRUCTION: Sturdy helical-cam mechanism first rotates arm, then clamps. Integral safety clutch. Unit sealed to keep out dirt and chips.



3000 psi maximum

Optional Half Arm

To order a Swing Clamp with a half arm instead of a standard pivoting arm, add on "H" to the part no. Example:

CLR-314-SC Standard Arm
CLR-314-SCH Half Arm

Clamping force (lbs) standard pivoting arm SA/DA (lbs)	7250 psi	1065/1080	2810/2845	4120/4495	7305/7490
	6000 psi	860/920	2200/2300	3400/3700	6000/6500
	5000 psi	710/770	1800/2000	2800/3100	4900/5500
	4000 psi	580/620	1480/1560	2340/2480	4030/4340
	3000 psi	400/450	960/1200	1600/1900	2800/3300
Clamping force half arm SA/DA (lbs) See pgs. 622-623 for special arm lengths	3000 psi	540/630	1320/1560	1700/2360	3360/3810
Clamping stroke	.43	.55	.59	.59	.59
Stroke during swing	.28	.32	.43	.35	.35
Fluid required to clamp (cu. in.)	.20	.61	1.12	1.69	1.69
Fluid required to unclamp, DA (cu. in.)	.54	1.69	3.11	4.60	4.60
Max. fluid flow rate (cu. in./min.)	11	36	67	101	101
Min. operating pressure (psi)	450	450	450	450	450
A Dia	2.68	3.54	4.53	5.12	5.12
B Dia	2.047/2.039	2.677/2.669	3.543/3.535	3.937/3.929	3.937/3.929
C	.47	.51	.63	.63	.63
D Dia	.787	1.260	1.575	1.969	1.969
E Dia	.925	1.319	1.772	2.185	2.185
F Dia	1.18	1.57	2.17	2.68	2.68
G	M18 x 1.5	M28 x 1.5	M35 x 1.5	M45 x 1.5	M45 x 1.5
H	4.98	5.81	6.77	7.17	7.17
I	.47	.49	.75	1.00	1.00
K	1.77	2.48	3.15	3.54	3.54
L	2.56	3.35	3.94	4.53	4.53
M (standard arm/half arm)	4.13/4.13	4.69/4.69	5.43/5.43	5.69/5.57	5.69/5.57
N	.12	.16	.20	.20	.20
O	1.181	1.732	2.362	2.677	2.677
P Dia	.256	.335	.531	.630	.630
Q Dia	1.69	2.28	3.03	3.46	3.46
R	M45 x 1.5	M60 x 1.5	M80 x 2	M90 x 2	M90 x 2
S	1.969	2.559	3.150	3.543	3.543
T	.354	.394	.433	.472	.472
U	.47	.77	1.04	1.34	1.34
V	.79	.79	1.18	1.57	1.57
W Dia	1.26	1.97	2.36	2.76	2.76
X	3.33	3.72	4.33	4.57	4.57
Y	.591	1.102	1.220	1.476	1.476
Z	.20	.24	.24	.35	.35
Part No., Lock Ring	CLR-300-SCA	CLR-500-SCA	CLR-600-SCA	CLR-700-SCA	CLR-700-SCA
Part No., Standard Pivoting Arm	CLR-302-SCA	CLR-502-SCA	CLR-602-SCA	CLR-702-SCA	CLR-702-SCA
Part No., Half Arm	CLR-301-SCA	CLR-501-SCA	CLR-601-SCA	CLR-701-SCA	CLR-701-SCA

Flange Base – Standard Fittings

Part No., Clamp without Arm	Single-Acting, CW	CLR-1883-104-SC	CLR-1885-104-SC	CLR-1886-104-SC	CLR-1887-104-SC
	Single-Acting, CCW	CLR-1883-204-SC	CLR-1885-204-SC	CLR-1886-204-SC	CLR-1887-204-SC
	Double-Acting, CW	CLR-1893-104-SCD	CLR-1895-104-SCD	CLR-1896-104-SCD	CLR-1897-104-SCD
	Double-Acting, CCW	CLR-1893-204-SCD	CLR-1895-204-SCD	CLR-1896-204-SCD	CLR-1897-204-SCD
Part No., Clamp with Standard Arm	Single-Acting, CW	CLR-314-SC	CLR-514-SC	CLR-614-SC	CLR-714-SC
	Single-Acting, CCW	CLR-324-SC	CLR-524-SC	CLR-624-SC	CLR-724-SC
	Double-Acting, CW	CLR-314-SCD	CLR-514-SCD	CLR-614-SCD	CLR-714-SCD
	Double-Acting, CCW	CLR-324-SCD	CLR-524-SCD	CLR-624-SCD	CLR-724-SCD

Flange Base – Manifold Mounted

Part No., Clamp without Arm	Single-Acting, CW	CLR-1883-504-SC	CLR-1885-504-SC	CLR-1886-504-SC	CLR-1887-504-SC
	Single-Acting, CCW	CLR-1883-604-SC	CLR-1885-604-SC	CLR-1886-604-SC	CLR-1887-604-SC
	Double-Acting, CW	CLR-1893-504-SCD	CLR-1895-504-SCD	CLR-1896-504-SCD	CLR-1897-504-SCD
	Double-Acting, CCW	CLR-1893-604-SCD	CLR-1895-604-SCD	CLR-1896-604-SCD	CLR-1897-604-SCD
Part No., Clamp with Standard Arm	Single-Acting, CW	CLR-354-SC	CLR-554-SC	CLR-654-SC	CLR-754-SC
	Single-Acting, CCW	CLR-364-SC	CLR-564-SC	CLR-664-SC	CLR-764-SC
	Double-Acting, CW	CLR-354-SCD	CLR-554-SCD	CLR-654-SCD	CLR-754-SCD
	Double-Acting, CCW	CLR-364-SCD	CLR-564-SCD	CLR-664-SCD	CLR-764-SCD

All Threaded – Standard Fittings

Part No., Clamp without Arm	Single-Acting, CW	CLR-1883-304-SC	CLR-1885-304-SC	CLR-1886-304-SC	CLR-1887-304-SC
	Single-Acting, CCW	CLR-1883-404-SC	CLR-1885-404-SC	CLR-1886-404-SC	CLR-1887-404-SC
	Double-Acting, CW	CLR-1893-304-SCD	CLR-1895-304-SCD	CLR-1896-304-SCD	CLR-1897-304-SCD
	Double-Acting, CCW	CLR-1893-404-SCD	CLR-1895-404-SCD	CLR-1896-404-SCD	CLR-1897-404-SCD
Part No., Clamp with Standard Arm	Single-Acting, CW	CLR-334-SC	CLR-534-SC	CLR-634-SC	CLR-734-SC
	Single-Acting, CCW	CLR-344-SC	CLR-544-SC	CLR-644-SC	CLR-744-SC
	Double-Acting, CW	CLR-334-SCD	CLR-534-SCD	CLR-634-SCD	CLR-734-SCD
	Double-Acting, CCW	CLR-344-SCD	CLR-544-SCD	CLR-644-SCD	CLR-744-SCD

* Single-acting clamp with standard pivoting arm.



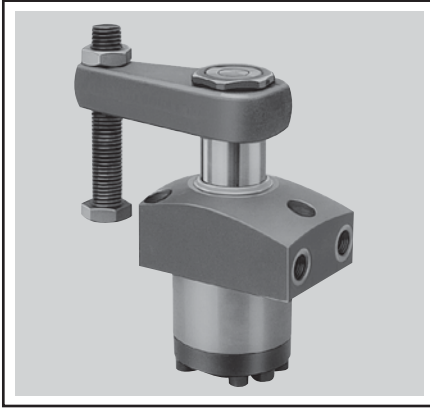
Carr Lane Roemheld Mfg. Co.

Sales — Phone (314) 647-6200 Fax (314) 647-5736

Engineering — Phone 1-800-827-2526 Web roemheld-usa.com

Swing Clamps

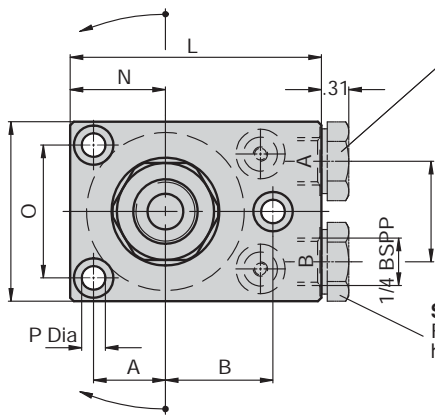
7250 psi max
Single and double acting



Top Flange

CLAMPING ACTION: Fluid pressure swings arm 90° over workpiece then clamps down. Spring return lifts arm then swings it back 90° for loading/unloading. Optional fluid return version (double-acting). Choose either clockwise or counterclockwise rotation to clamping position.

DESIGN CONSIDERATIONS: The clamping arm must go through its full swing to operate properly. Stopping the arm short by obstructing it could possibly cause damage. Use low operating pressure during initial setting. May require a simple flow-control valve if fixture contains only a few clamps and is powered by a high-flow-rate power source. See power source pages to check. Swing cycle time must be at least one second.



Double-acting elements:

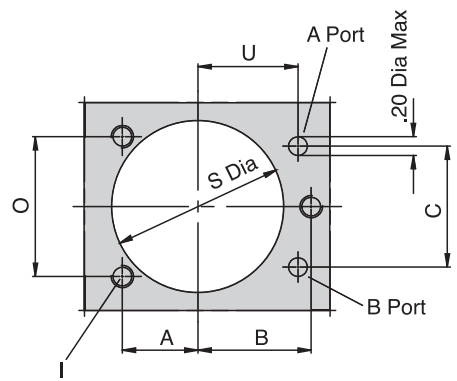
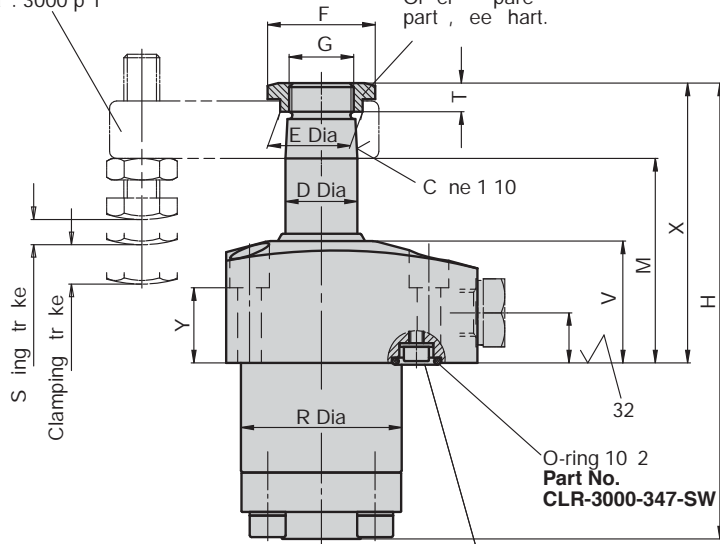
For manifold mounting remove ket head cap and install USIT-ring. See inlet plug CLR-810-F. (Not in line).

Single-acting elements:

For manifold mounting at port A, remove ket head cap and install USIT-ring, insert 1/4 BSPP with plug CLR-810-F. Port B is normally closed with a plug with internal metal air filter. Bleeed the spring area by rille channel at port B with plug CLR-810-F to relieve pressure.

Accessory:
Clamping arm assembly complete for max. 3000 psi

Not in line in reliability. Or order separate part, see chart.



A Port = Clamping
B Port = Venting (single acting)
B Port = Unclamping (double acting)

Double-acting elements:

For manifold mounting remove ket head cap and install USIT-ring. See inlet plug CLR-810-F. (Not in line).



Carr Lane Roemheld Mfg. Co.

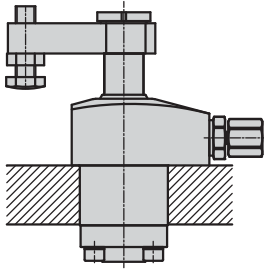
Sales — Phone (314) 647-6200 Fax (314) 647-5736

Engineering — Phone 1-800-827-2526 Web roemheld-usa.com

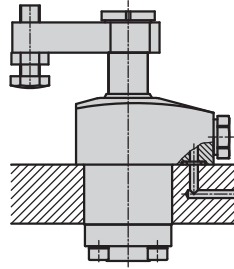
Swing Clamps

7250 psi max
Single and double acting

Connecting possibilities



Tube connection



Top Flange with O-ring sealing for manifold mounting

FLUID CONNECTION: 1/4 BSPP Port fittings with optional manifold mounting.

CONSTRUCTION: Sturdy helical-cam mechanism first rotates arm, then clamps. Integral safety clutch. Unit sealed to keep out dirt and chips.

INFO+: See pages 626-627 for arm options. Also available in 60° and 45° swing.

Clamping force (lbs) standard pivoting arm SA/DA (lbs)	7250 psi	1130/1125	2755/2845	4420/4495	7680/7865
	6000 psi	860/920	2200/2300	3400/3700	6000/6500
	5000 psi	710/770	1800/2000	2800/3100	4900/5500
	4000 psi	580/620	1480/1560	2340/2480	4030/4340
	3000 psi	400/450	960/1200	1600/1900	2800/3300
Clamping force half arm SA/DA (lbs) See pgs. 622-623 for special arm lengths	3000 psi	540/630	1320/1560	1700/2360	3360/3810
Clamping stroke		.43	.55	.59	.59
Swing stroke		.28	.31	.43	.35
Total stroke		.71	.86	1.02	.94
Operating pressure to swing min. (psi)		450	450	450	450
Max. oil flow rate (cu.in)		11	36	67	101
Oil to clamp (cu.in.)		.20	.61	1.12	1.69
Oil to return (cu.in.)		.54	1.69	3.11	4.58
D Dia		.787	1.260	1.575	1.969
A		.787	1.063	1.457	1.654
B		1.181	1.496	1.969	2.165
C		1.260	1.811	2.441	2.953
E Dia		.93	1.32	1.77	2.19
F		1.18	1.57	2.17	2.68
G		M18 x 1.5	M28 x 1.5	M35 x 1.5	M45 x 1.5
H		4.98	5.81	6.77	7.17
I		M6	M8	M10	M12
K		1.97	2.48	3.35	3.74
L		2.76	3.35	4.33	4.92
M		2.22	2.60	2.76	2.72
N		1.04	1.36	1.85	2.17
O		1.457	1.890	2.559	2.835
P Dia		.26	.35	.43	.55
R Dia		1.76	2.35	3.14	3.54
S Dia		1.79	2.38	3.17	3.56
T		.35	.39	.43	.47
U		1.043	1.220	1.575	1.772
V		1.34	1.57	1.57	1.57
W		1.10	1.61	2.17	2.76
X		3.07	3.70	4.09	4.29
Y		.83	.87	.59	.55
Z		.55	.55	.47	.47

Single Acting

Part No., Clockwise rotation	CLR-1883-103-SC	CLR-1885-103-SC	CLR-1886-103-SC	CLR-1887-103-SC
Part No., Counterclockwise rotation	CLR-1883-203-SC	CLR-1885-203-SC	CLR-1886-203-SC	CLR-1887-203-SC
Part No., 0 degree	CLR-1883-243-SC	CLR-1885-243-SC	CLR-1886-243-SC	CLR-1887-243-SC

Double Acting **

Part No., Clockwise rotation	CLR-1893-103-SCD	CLR-1895-103-SCD	CLR-1896-103-SCD	CLR-1897-103-SCD
Part No., Counterclockwise rotation	CLR-1893-203-SCD	CLR-1895-203-SCD	CLR-1896-203-SCD	CLR-1897-203-SCD
Part No., 0 degree	CLR-1893-243-SCD	CLR-1895-243-SCD	CLR-1896-243-SCD	CLR-1897-243-SCD

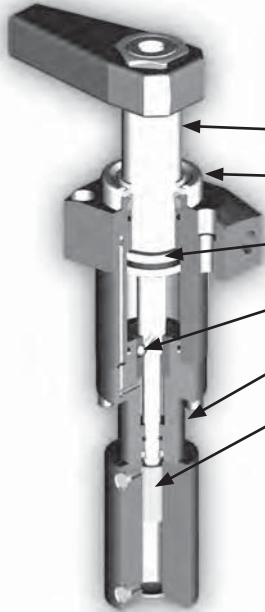
** Longer stroke versions available - Consult Engineering.



Carr Lane Roemheld Mfg. Co.

Sales — Phone (314) 647-6200 Fax (314) 647-5736
Engineering — Phone 1-800-827-2526 Web roemheld-usa.com

Why Carr Lane Roemheld Swing Clamps?



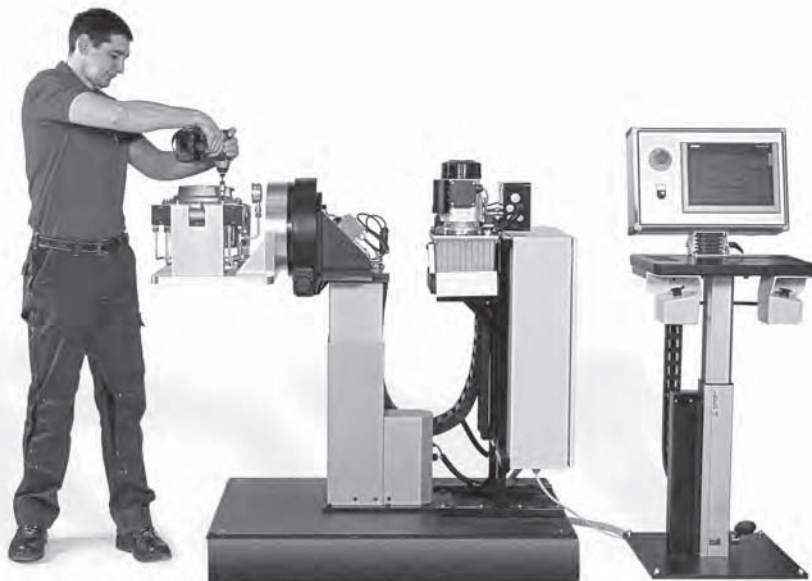
Designed for 1,000,000 cycles

2,000,000+ cycles tested at full load

- Rod diameter 30% larger to eliminate part deflection
- Viton wiper is standard (metal wiper optional)
- Exclusive safety clutch design available to prevent damage to part, fixture, or operator
- Reinforced swivel mechanism with 2 or 3 helix paths depending on size for longer life
- Up to 7500 psi maximum pressure for more compact clamp design
- Position monitoring available, either inductive or pneumatic via movable sensing bolt
- Over 1000 different standard sizes and styles available with clamping forces from 130 lb. to 8265 lb. stroke up to 2"
- Special stroke and clamping forces available upon request.

See Page 619-630

Versatile Modular Units For Assembly and Handling



- Combine our modular units to Lift, Tilt, Rotate or Move your assembly
- Easily move your assembly to optimal position to increase productivity and reduce fatigue
- Preset positions for long runs or adjustable locations for flexibility

See Pages 717-718



ROEMHELD
HILMA ■ STARK

CARR LANE ROEMHELD MFG. CO.

Sales — Phone (314) 647-6200 Fax (314) 647-5736

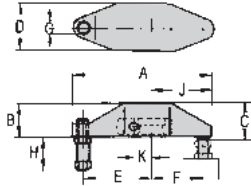
Engineering — Phone 1-800-827-2526 Web roemheld-usa.com

Swing Clamp Arms

7250 psi max
Single and double acting

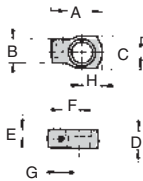
Swing Clamp Part Number	Arm Size
CLR-3XX-SC(D)	Small
CLR-5XX-SC(D)	Medium
CLR-6XX-SC(D)	Large
CLR-7XX-SC(D)	Extra Large

Swing Clamp Part Number	Arm Size
CLR-18X3-XXX-SC(D)	Small
CLR-18X5-XXX-SC(D)	Medium
CLR-18X6-XXX-SC(D)	Large
CLR-18X7-XXX-SC(D)	Extra Large



Standard Arm (Includes Carrier & Contact Bolt)

Size	Part No.	A	B	C	D	E	F	G	H	J	K
Small	CLR-0354-000-SCA	4.8	1.18	1.24	1.73	2.36	1.77	M10	.16-2.5	2.09	.57
Medium	CLR-0354-002-SCA	7.28	1.77	1.85	2.3	3.27	2.95	M16	.35-3.13	3.43	.88
Large	CLR-0354-041-SCA	8	2.13	2.22	3.23	3.62	3.23	M16	.35-3.75	3.74	1.1
Extra Large	CLR-0354-004-SCA	8.78	2.32	2.42	3.86	3.94	3.54	M20	.47-4.13	4.33	1.3



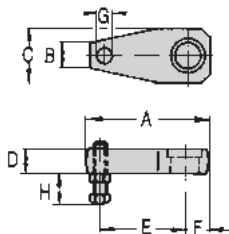
Carrier Only

Size	Part No.	A	B	C	D	E	F	G Dia.	H
Small	CLR-3542-093-SCA	1.81	1.02	1.26	0.63	0.33	0.57	.3150	0.63
Medium	CLR-3542-094-SCA	2.32	1.26	1.57	0.91	0.39	0.83	.3937	0.87
Large	CLR-3542-132-SCA	3.23	1.75	2.28	1.1	0.43	1.1	.4724	1.34
Extra Large	CLR-3542-096-SCA	3.54	2.2	2.68	1.34	0.51	1.3	.5512	1.42



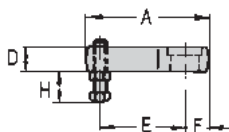
Untapped Half Arm

Size	Part No.	A	B	C	D	F
Small	CLR-3921-016-SCA	2.95	.63	1.26	.63	.63
Medium	CLR-3921-017-SCA	4.53	0.87	1.89	0.91	0.98
Large	CLR-3921-021-SCA	5.51	1.1	2.36	1.1	1.18
Extra Large	CLR-3921-018-SCA	7.01	1.57	3.07	1.34	1.57



Tapped Half Arm (Includes Contact Bolt)

Size	Part No.	A	B	C	D	E	F	G	H
Small	CLR-0354-001-SCA	2.95	0.63	1.26	0.63	1.97	0.63	M10	.24-2.52
Medium	CLR-0354-003-SCA	4.53	0.87	1.89	0.91	2.95	0.98	M16	.36-3.11
Large	CLR-0354-042-SCA	5.51	1.1	2.36	1.1	3.74	1.18	M16	.36-3.11
Extra Large	CLR-0354-005-SCA	7.01	1.57	3.07	1.34	4.72	1.57	M20	.48-3.86

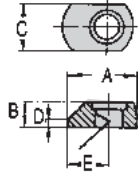


Carr Lane Roemheld Mfg. Co.

Sales — Phone (314) 647-6200 Fax (314) 647-5736
Engineering — Phone 1-800-827-2526 Web roemheld-usa.com

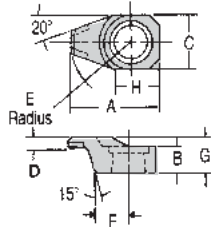
Swing Clamp Arms

7250 psi max
Single and double acting



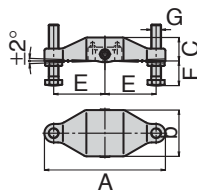
Short Arm

Size	Part no.	A	B	C	D	E
Small	CLR-3548-159-SCA	1.61	0.63	1.26	0.24	0.98
Medium	CLR-3548-165-SCA	2.4	0.91	1.89	0.24	1.46
Large	CLR-3548-304-SCA	2.99	1.1	2.36	0.43	1.77
Extra Large	CLR-3548-163-SCA	3.54	1.34	3.07	0.55	2.05



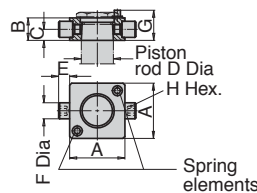
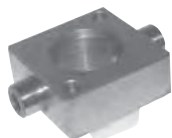
Thin Nose Arm

Size	Part no.	A	B	C	D	E	F	G	H
Small	CLR-3548-238-SCA	2.03	0.61	1.26	0.26	1.32	0.78	0.83	1.03
Medium	CLR-3548-236-SCA	2.99	0.89	1.81	0.35	1.97	0.88	1.1	1.31
Large	CLR-3548-301-SCA	3.94	1.1	2.6	0.43	2.52	1.72	1.34	1.94
Extra Large	CLR-3548-302-SCA	4.84	1.34	2.95	0.51	3.25	1.84	1.57	2.13



Double Arm (Includes Carrier & Contact Bolts)

Size	Part no.	A	B	C	D	E	F Max.
Small	CLR-0354-131-SCA	5.43	2.32	1.12	M10	2.36	2.52
Medium	CLR-0354-132-SCA	7.72	2.95	1.5	M16	3.27	3.11
Large	CLR-0354-133-SCA	8.5	3.35	1.85	M16	3.62	3.11
Extra Large	CLR-0354-134-SCA	9.29	4.13	2.2	M20	3.94	3.86

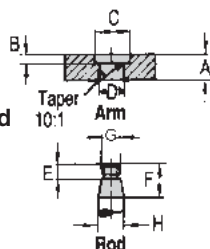


Carrier Only For Double-Arm

Size	Part no.	A	B	C	D Dia	E	F Dia	G*	H Hex
Small	CLR-0354-141-SCA	1.69	0.63	0.3	.79	0.35	0.39	0.85	M5
Medium	CLR-0354-142-SCA	2.17	0.91	0.43	1.26	0.43	0.63	1.14	M8
Large	CLR-0354-143-SCA	2.48	1.1	0.59	1.57	0.47	0.71	1.38	M8
Extra Large	CLR-0354-144-SCA	3.03	1.34	0.67	1.97	0.59	0.79	1.61	M8

*Stop for spring elements

Dimensions for Customer Manufactured Arms



Customer Manufactured Arm

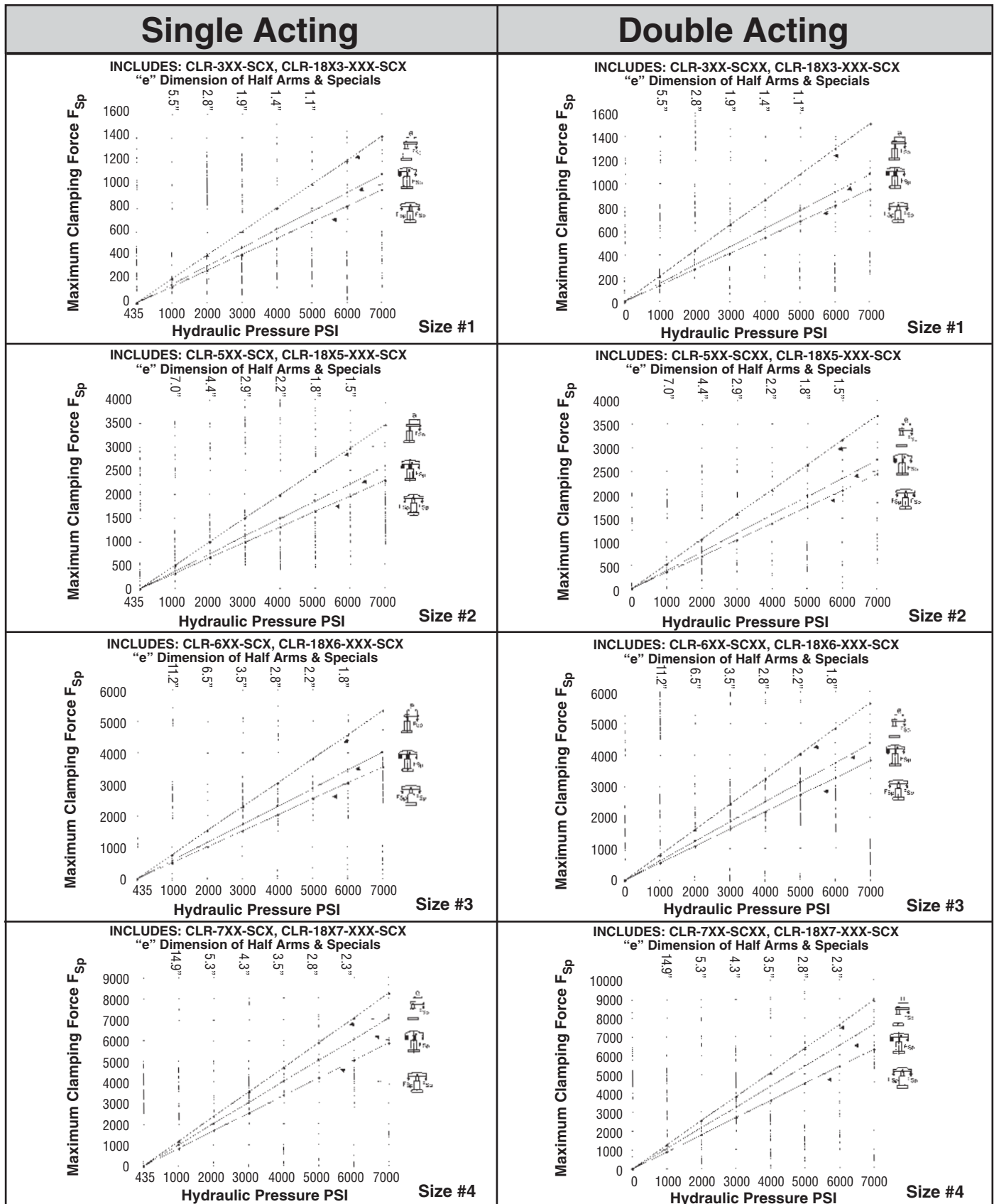
Clamp Size	A	B	C Dia.	D Dia (10:1 taper)	E	F	G	H Dia.
Small	0.63	0.16	0.94	.7815/.7835	0.39	0.83	M18x1.5	0.79
Medium	0.91	0.2	1.34	1.2539/1.2559	0.47	1.1	M28x1.5	1.26
Large	1.1	0.2	1.81	1.5689/1.5709	0.47	1.34	M35x1.5	1.57
Extra Large	1.34	0.24	2.2	1.9626/1.9646	0.51	1.57	M45x1.5	1.97



Carr Lane Roemheld Mfg. Co.

Sales — Phone (314) 647-6200 Fax (314) 647-5736
Engineering — Phone 1-800-827-2526 Web roemheld-usa.com

Swing Clamp Arm Options



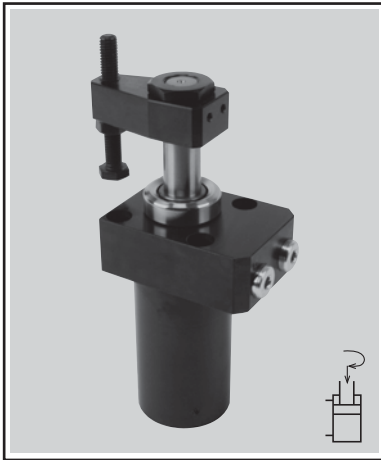
Carr Lane Roemheld Mfg. Co.

Sales — Phone (314) 647-6200 Fax (314) 647-5736

Engineering — Phone 1-800-827-2526 Web roemheld-usa.com

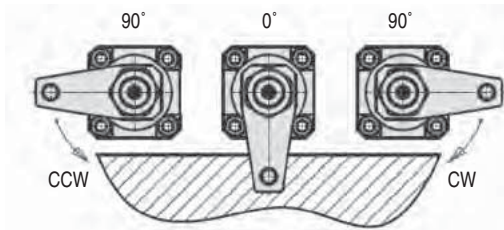
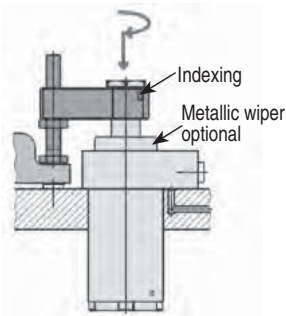
Swing Clamps ■ Robust Swing Mechanism ■ B1.853

Swing Clamps ■ Top flange type with multiple position monitoring options
Double Acting ■ Max. Operating Pressure ■ 5075 psi (350 bar)



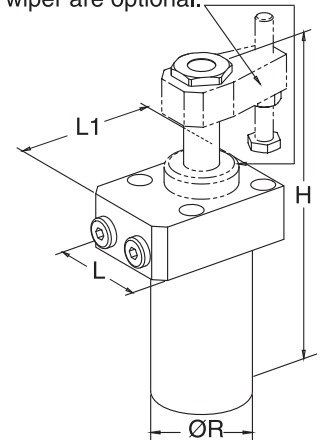
The hydraulic swing clamp is a pull type cylinder where a part of the total stroke is used to swing the piston, for when it is essential to keep the clamping area free for unrestricted workpiece loading/unloading. High clamping force at low pressures. The sturdy swing mechanism in combination with restricted

flow rate, allows larger custom arms. Special swing angle and indexing of clamp arm available. Special swing angle and indexing of clamp arm available. Multiple pneumatic and electric position monitoring available. Metallic wiper option. Four sizes allow the designer to choose the optimal clamp for their application.



Special swing angle easily available

Clamp arm assembly and metal wiper are optional.



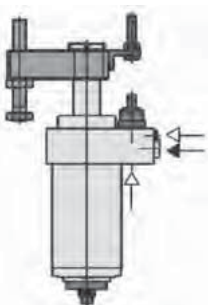
Pneumatic versions available to monitor clamp position and clamp/unclamp positions.

Clamping Force With Accessory Arm		Size 1	Size 2	Size 3	Size 4
Clamp Force (lbs)	5075 psi	1350	1890	3370	4945
	2000 psi	630	1010	1845	2700
	1000 psi	270	340	630	900

General Dimension specifications (in inches)

	Size 1	Size 2	Size 3	Size 4
L	1.97	2.44	2.95	3.46
L1	2.76	3.19	3.74	4.13
H	6.39	6.92	8.06	9.20
R Diameter	1.77	2.05	2.36	2.99
Clamping Stroke	0.47	0.47	0.59	0.59
Approx. Weight (Lbs)	3.75	5.07	8.60	13.23
Part No., Swing Direction 90 Degree CW	CLR-1843-X090-R23	CLR-1844-X090-R24	CLR-1845-X090-R30	CLR-1846-X090-R36
Part No., Swing Direction 90 Degree CCW	CLR-1843-X090-L23	CLR-1844-X090-L24	CLR-1845-X090-L30	CLR-1846-X090-L36
Part No., Swing Direction 90 Degree CCW	CLR-1843-X000-023	CLR-1844-X000-024	CLR-1845-X000-030	CLR-1846-X000-036

X= Needs Letter Designation For Position Monitoring Style Desired (See Roemheld Data Sheet B1.853)



Switch rod version available for electric and pneumatic position monitoring.

Accessories

Part No., Clamp Arm With Contact Bolt	CLR-0354-152	CLR-0354-153	CLR-0354-154	CLR-0354-155
Part No., Complete Arm With Angle Bracket	CLR-0354-156	CLR-0354-157	CLR-0354-158	CLR-0354-159
Part No., Untapped Clamp Arm	CLR-3548-660	CLR-3548-661	CLR-3548-803	CLR-3548-804
Part No., Angle Bracket Complete	CLR-0184-003	CLR-0184-004	CLR-0184-005	CLR-0184-005
Part No., Metallic Wiper	CLR-0341-104	CLR-0341-107	CLR-0341-105	CLR-0341-100

Subject to change. For further details, including detailed dimensions and mounting instructions, visit roemheld-usa.com.



Carr Lane Roemheld Mfg. Co.

Sales — Phone (314) 647-6200 Fax (314) 647-5736
 Engineering — Phone 1-800-827-2526 Web roemheld-usa.com

Swing Clamps ■ Robust Swing Mechanism ■ B1.854

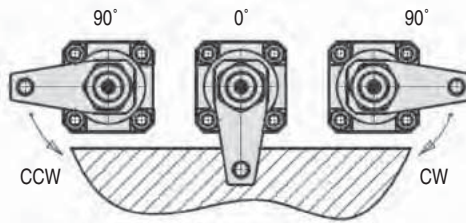
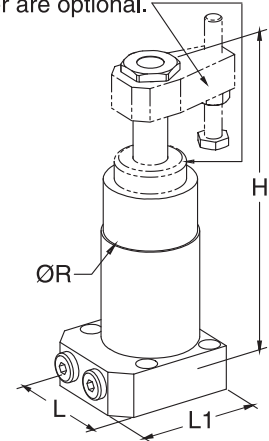
Swing Clamps ■ Flange base type with multiple position monitoring options
Double Acting ■ Max. Operating Pressure ■ 5075 psi (350 bar)



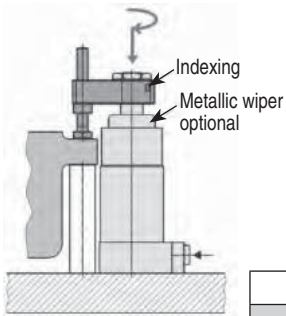
The hydraulic swing clamp is a pull type cylinder where a part of the total stroke is used to swing the piston, for when it is essential to keep the clamping area free for unrestricted workpiece loading/unloading. High clamping force at low pressures. The sturdy swing mechanism in combination with restricted flow

rate, allows larger custom arms. Special swing angle and indexing of clamp arm available. Multiple pneumatic and electric position monitoring available. Metallic wiper option. Four sizes allow the designer to choose the optimal clamp for their application.

Clamp arm assembly and metal wiper are optional.



Special swing angle easily available



Pneumatic versions available to monitor clamp position and clamp/unclamp positions.

Clamping Force - Accessory Arm		Size 1	Size 2	Size 3	Size 4
Clamp Force (lbs)	5075 psi	1350	1890	3370	4945
	2000 psi	630	1010	1845	2700
	1000 psi	270	340	630	900

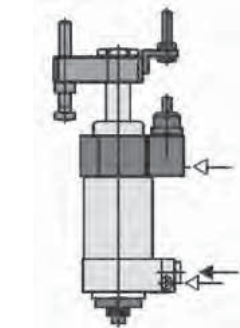
General Dimension Specifications (in inches)

L	2.17	2.48	3.03	3.35
L1	2.36	2.60	2.95	3.54
H	6.39	6.92	8.06	9.20
R Diameter	1.77	2.05	2.36	2.99
Clamping Stroke	0.47	0.47	0.59	0.59
Approx. Weight (lbs.)	3.75	5.07	7.50	12.57
Part No., Swing Direction 90 Degree CW	CLR-1843-X090-R23	CLR-1844-X090-R24	CLR-1845-X090-R30	CLR-1846-X090-R36
Part No., Swing Direction 90 Degree CCW	CLR-1843-X090-L23	CLR-1844-X090-L24	CLR-1845-X090-L30	CLR-1846-X090-L36
Part No., Swing Direction 90 Degree CCW	CLR-1843-X000-023	CLR-1844-X000-024	CLR-1845-X000-030	CLR-1846-X000-036

X= Needs Letter Designation For Position Monitoring Style Desired (See Roemheld Data Sheet B1.854)

Accessories

Part No., Clamp Arm With Contact Bolt	CLR-0354-152	CLR-0354-153	CLR-0354-154	CLR-0354-155
Part No., Complete Arm With Angle Bracket	CLR-0354-156	CLR-0354-157	CLR-0354-158	CLR-0354-159
Part No., Untapped Clamp Arm	CLR-3548-660	CLR-3548-661	CLR-3548-803	CLR-3548-804
Part No., Angle Bracket Complete	CLR-0184-003	CLR-0184-004	CLR-0184-005	CLR-0184-005
Part No., Metallic Wiper	CLR-0341-104	CLR-0341-107	CLR-0341-105	CLR-0341-100



Switch rod version available for electric and pneumatic position monitoring.

Subject to change. For further details, including detailed dimensions and mounting instructions, visit roemheld-usa.com.



Carr Lane Roemheld Mfg. Co.

Sales — Phone (314) 647-6200 Fax (314) 647-5736
 Engineering — Phone 1-800-827-2526 Web roemheld-usa.com

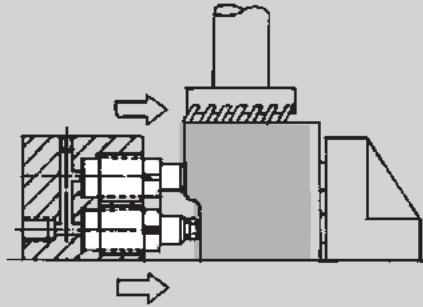
Push Clamps/Cylinders



Mini
page 632



Single Acting
page 633



Threaded-Body Push Clamps

Achieve high force in a compact size. Wide variety of types and sizes. Various models offer different mounting options, such as using accessory brackets, screwing directly into fixture, or manifold mounting.

Accessories, page 635



Block Clamps
pages 636-637

Block Clamps

Block Clamps are easy to mount horizontally or vertically on flat surfaces.

Available single and double acting, are excellent for punching and assembly operations, with high forces available. Wide range of sizes. Large sizes are often used for presswork applications (up to 180 tons).



**Threaded-Body
Universal Cylinder**
pages 638-639

Threaded-Body Universal Cylinder

Achieve space-saving mounting in fixture walls with this universal cylinder, in a wide range of sizes. Alternatively single acting with spring return or double acting.



ROEMHELD
HILMA ■ STARK

Carr Lane Roemheld Mfg. Co.

Sales — Phone (314) 647-6200 Fax (314) 647-5736
Engineering — Phone 1-800-827-2526 Web roemheld-usa.com

Threaded-Body Push Clamps - Mini

7250/2300 psi max
Single acting



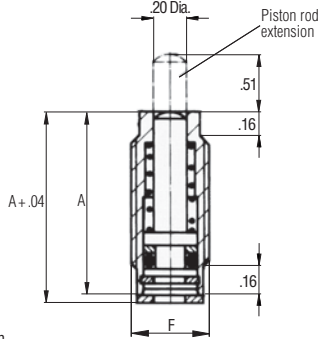
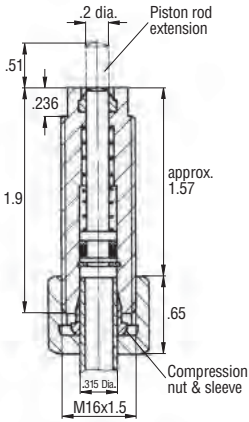
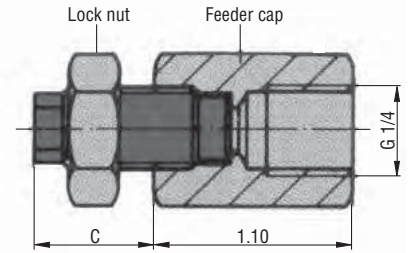
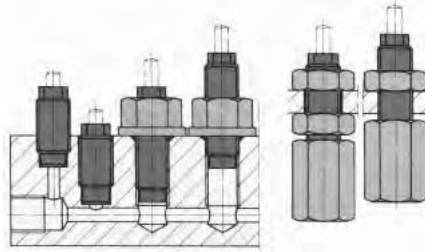
- Can be mounted very close together
- High force in a small size
- Mount using accessory brackets or screw directly into fixture
- Positive stroke stop and long plunger guide for superior reliability
- Choice of five sizes
- ****Do not use NPT fittings**

DESCRIPTION: These threaded body cylinders are particularly suitable for clamping of smaller workpieces in multiple clamping fixtures. Sealing is made by connecting directly to compression nut or by the included sealing washer. Multiple mounting options allow versatility when designing your fixture. Offered as flush mount piston or extended piston. High-speed cylinders are offered at a lower max. pressure.

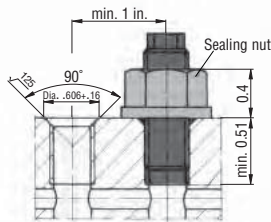
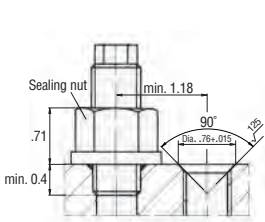
IMPORTANT NOTES: These cylinders may not be subjected to load in the retracted position. The tube connection model has no stop for the tube, so it cannot be used for pre-mount of the compression sleeve. Please protect cylinders from chips and coolant.

Tube Mount (Metric Only)

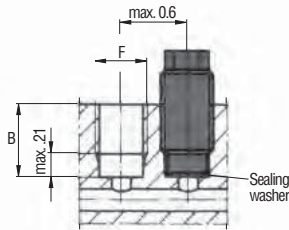
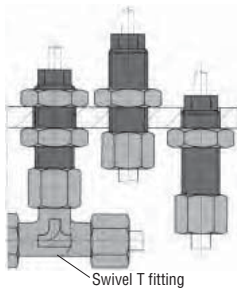
Manifold Mount



Clamping Force (lbs)	7250 psi	560	
	6000 psi	470	
	5000 psi	390	
	4000 psi	310	
	3000 psi	230	
Mounting Type		Tube Mount	Manifold Mount
Stroke	0.39	0.197	0.39
Piston dia in.	0.315	0.315	0.315
Min psi	75	75	75
Spring return force (lbs)	3.4	3.4	3.4
A	—	1.06	1.57
B min/max	—	.43 / .95	.43 / 1.46
C	—	0.67	1.18
Seating torque (lbs)	8	8	8
Weight (lbs)	0.12	0.04	0.05



Inch			
F Thread	—	1/2 - 20	1/2 - 20
Part No.	—	CLR-801-TB	CLR-802-TB
Part No., Lock Nut	—	CLR-408-TBA	
Part No., Sealing Washer	—	CLR-3000-183-SW	
Part No., Sealing Nut	—	CLR-508-TBA	
Part No., Feeder Cap	—	CLR-308-TBA	
Part No., Mounting Block	—	CLR-108-TBA	



Metric			
F Thread	—	M12 X 1.5	M12 X 1.5
Part No.	CLR-1459-001-TB	CLR-1458-001-TB	CLR-1458-002-TB
Part No. with ext rod	CLR-1459-011-TB	CLR-1458-011-TB	CLR-1458-012-TB
Part No., High Speed 2300 psi max	CLR-1459-101-TB	CLR-1458-101-TB	CLR-1458-102-TB
Part No., High Speed w/ ext rod 2300 psi max	CLR-1459-111-TB	CLR-1458-111-TB	CLR-1458-112-TB
Part No., Lock Nut	CLR-3300-409-TBA	CLR-3300-408-TBA	
Part No., Sealing Washer	—	CLR-3000-036-SW	
Part No., Sealing Nut	CLR-3300-407-TBA	CLR-3300-406-TBA	
Part No., Swivel T Fitting	CLR-9208-035-F	—	
Part No., Swivel Elbow	CLR-9208-036-F	—	
Part No., Compression Nut	CLR-9208-100-F	—	
Part No., Compression Sleeve	CLR-9208-101-F	—	
Part No., Feeder Cap	—	CLR-3467-064-TBA	

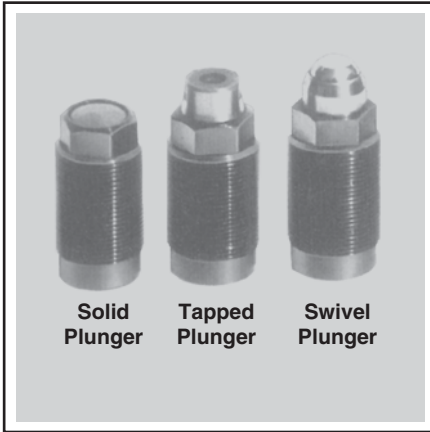


Carr Lane Roemheld Mfg. Co.

Sales — Phone (314) 647-6200 Fax (314) 647-5736
Engineering — Phone 1-800-827-2526 Web roemheld-usa.com

Threaded-Body Push Clamps - Standard Wiper

7250 psi max
Single acting



- Can be mounted very close together
 - High force in a small size
 - Mount using accessory brackets or screw directly into fixture
 - Positive stroke stop and long plunger guide for superior reliability
 - Choice of five sizes
- **Do not use NPT fittings

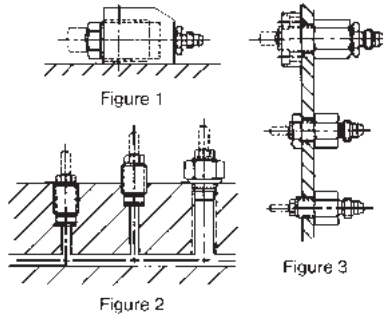
MOUNTING ON FIXTURE BASE: (Figure 1) Fasten mounting block to fixture. Screw clamp into block. (See table below for recommended seating torque. Sealing washer provided). Block has male 37° fluid connection.

MANIFOLD MOUNTING: (Figure 2) Screw clamp into tapped hole prepared as shown below. Supply fluid through passages drilled in fixture. Smallest size may be mounted with optional sealing nut. (Part no. CLR-508-TBA, 7/8 Hex. x. 46 thick).

MOUNTING THROUGH FIXTURE WALL: (Figure 3) (Through a tapped or bored hole). Secure clamp using optional locknut or mounting flange (two required for bored holes). Feeder cap required for fluid connection.

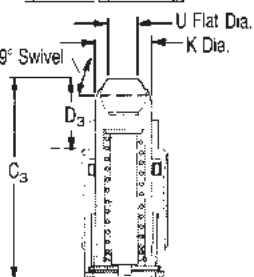
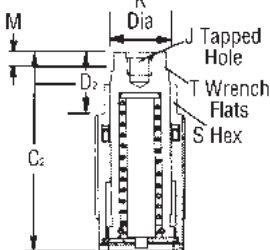
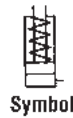
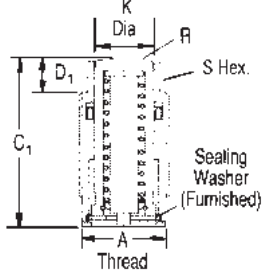
CONSTRUCTION: Steel plunger, case-hardened and ground. Positive stroke stop prevents over-extending the plunger. Long plunger guide provides support against side loads. Do not load steel plunger in its retracted position. Carbon steel body, black oxide finish.

PLUNGERS: Choose solid, tapped, or swivel plunger. Tapped plunger accepts contact bolts. Swivel plunger distributes force to prevent marring. Plunger extensions available by special order.

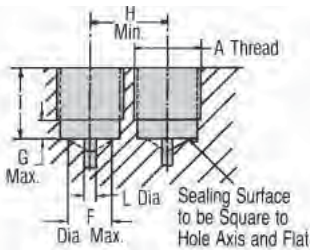


Mounting Options

See Threaded-Body Push Clamp accessories section



See F&A section for contact bolts



Manifold Hole Preparations

Clamping force (lbs)	7250 psi	1280	2270	3530	5530	8990
	6000 psi	1100	1900	2900	4500	7400
	5000 psi	900	1600	2400	3800	6200
	4000 psi	700	1200	1900	3000	5000
	3000 psi	500	900	1400	2300	3700
Max. clamping force (lbs)	1310	2340	3650	5700	9350	
Stroke	.38	.47	.59	.63	.78	
Fluid req'd (cu. in.)	.069	.147	.228	.479	.981	
Piston area (sq. in.)	.175	.312	.487	.760	1.247	
Force per 1000 psi (lbs)	175	312	487	760	1247	
Max. oper. pressure (psi)	7500	7500	7500	7500	7500	
A	7/8-14	1-1/8-12	1-1/4-16	1-1/2-16	1-7/8-16	
C1	1.50	1.81	2.19	2.34	3.44	
C2	1.78	2.06	2.59	2.69	3.88	
C3	1.80	2.09	2.73	2.86	—	
D1	.28	.38	.44	.53	.66	
D2	.56	.66	.81	.88	1.09	
D3	.56	.69	.97	1.05	—	
F dia	.47	.63	.78	1.00	1.25	
G	.31	.34	.34	.44	.50	
H	1.00	1.19	1.38	1.69	2.16	
I min.	.63	.78	.97	1.13	1.66	
I max.	1.53	1.41	1.75	1.81	2.75	
J	1/4-20x1/4	1/4-20x1/4	5/16-18x5/16	5/16-18x5/16	1/2-13x1/2	
K dia	.47	.63	.78	1.00	1.25	
L dia	.19	.19	.19	.19	.19	
M	.22	.22	.25	.28	.34	
R	.75	1.00	1.25	1.56	2.00	
S	.69	.94	1.69	1.25	1.69	
T	.38	.50	.63	.75	.94	
U	.28	.28	.41	.41	—	
Seating torque (ft.-lbs)	29	36	43	58	163	
Weight (lbs)	.18	.33	.48	.48	2.13	
Part No., solid plunger	CLR-000-TB	CLR-100-TB	CLR-200-TB	CLR-300-TB	CLR-400-TB	
Part No., tapped plunger	CLR-001-TB	CLR-101-TB	CLR-201-TB	CLR-301-TB	CLR-401-TB	
Part No., swivel plunger	CLR-010-TB	CLR-110-TB	CLR-210-TB	CLR-310-TB	—	
Spare sealing washer	CLR-3000-840-SW	CLR-3000-179-SW	CLR-3000-180-SW	CLR-3000-843-SW	CLR-3000-181-SW	



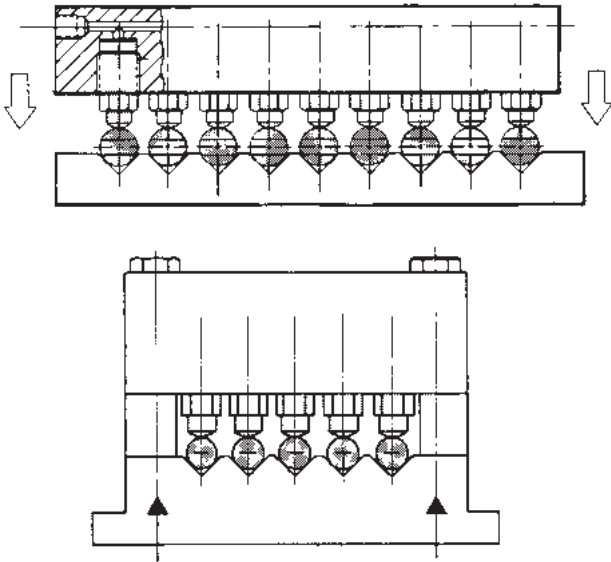
Carr Lane Roemheld Mfg. Co.

Sales — Phone (314) 647-6200 Fax (314) 647-5736

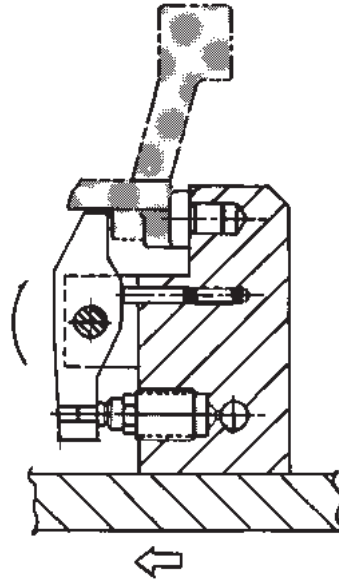
Engineering — Phone 1-800-827-2526 Web roemheld-usa.com

Threaded-Body Push Clamps

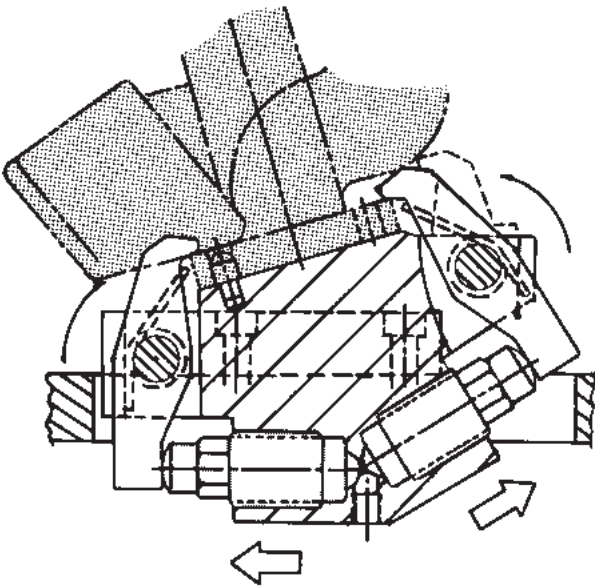
Application Examples



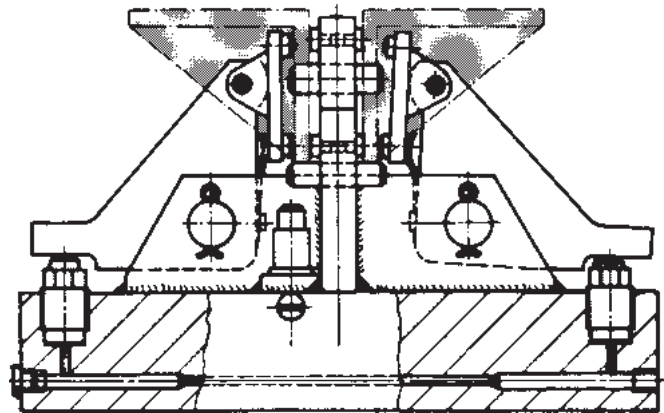
V-block fixtures allow very close workpiece spacing. Bottom example shows bridging bolt parallel to, and in the same plane as, the push clamps. This eliminates bending moments in the fixture.



Custom clamping unit made using a pivoting lever with a return spring. By altering the lever ratio, you can make workpiece contact greater or less than clamp force.



Twin clamping levers hold an exhaust manifold under extreme space limitations. Clamps are almost totally clear of workpiece area.



Pivoting levers clamp two angle brackets against a central locator. Each lever also has a pivoting contact pad to distribute clamping force evenly.



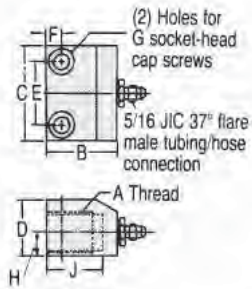
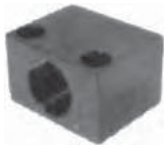
ROEMHELD
HILMA ■ STARK

Carr Lane Roemheld Mfg. Co.

Sales — Phone (314) 647-6200 Fax (314) 647-5736

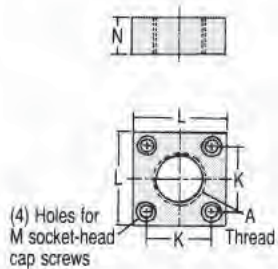
Engineering — Phone 1-800-827-2526 Web roemheld-usa.com

Threaded-Body Push Clamp Accessories



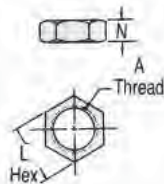
Mounting Blocks — Inch

A	1/2-20	7/8-14	1-1/8-12	1-1/4-16	1-1/2-16	1-7/8-16
B	1.63	1.75	2.00	2.25	2.38	3.25
C	1.50	2.25	2.75	3.00	3.50	4.00
D	1.00	1.25	1.50	1.75	2.00	2.50
E	1.00	1.50	1.88	2.00	2.38	2.75
F	.31	.38	.44	.50	.56	.63
G Dia.	1/4-20	5/16-18	3/8-16	1/2-13	1/2-13	5/8-11
H	.50	.56	.75	.75	1.00	1.25
J	.94	1.53	1.41	1.75	1.81	2.75
Part No.	CLR-108-TBA	CLR-100-TBA	CLR-101-TBA	CLR-102-TBA	CLR-103-TBA	CLR-104-TBA



Mounting Flanges — Inch

A	1-1/4 - 16	1-1/2 - 16	1-7/8 - 16
K	1.56	1.75	2.13
L	2.25	2.5	3.00
M	5/16 - 18	5/16 - 18	3/8 - 16
N	.88	1.00	1.25
Part No.	CLR-202-TBA	CLR-203-TBA	CLR-204-TBA

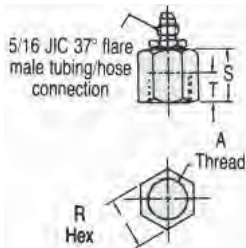


Jam Nuts — Inch

A	1/2 - 20	7/8 - 14	1-1/8 - 12
L	.75	1.94	1.69
N	.31	.50	.63
Part No.	CLR-408-TBA	CLR-400-TBA	CLR-401-TBA

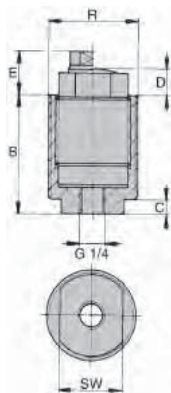
Jam Nuts — Metric

A	M 28 X 1.5	M 32 X 1.5	M 38 X 1.5	M 45 X 1.5	M 60 X 1.5
L	50	62	58	68	90
N	10	11	11	12	13
Part No.	CLR-3301-423-TBA	CLR-3301-019-TBA	CLR-3300-088-TBA	CLR-3300-326-TBA	CLR-3300-411-TBA



Feeder Caps — Inch

A	1/2-20	7/8-14	1-1/8-12	1-1/4-16	1-1/2-16	1-7/8-16
R	.75	1.13	1.38	1.50	1.75	2.13
S	.63	1.13	1.25	1.44	1.63	2.25
T	.44	.63	.78	.97	1.13	1.66
Part No.	CLR-308-TBA	CLR-300-TBA	CLR-301-TBA	CLR-302-TBA	CLR-303-TBA	CLR-304-TBA



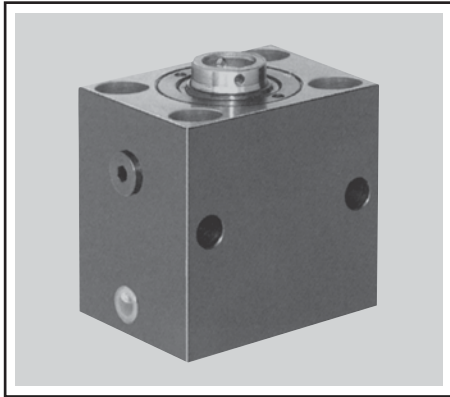
Feeder Caps — Metric

Fits	CLR-1460-0XX-TB	CLR-1461-0XX-TB	CLR-1462-0XX-TB	CLR-1463-0XX-TB	CLR-1464-0XX-TB
A	M 22 X 1.5	M 26 X 1.5	M 30 X 1.5	M 38 X 1.5	M 48 X 1.5
B	44	49	58	59	85
C	7	7	7	7	8
D	7	10	11	13.5	17
E	14	16.5	20.5	22.5	28
R	M 28 X 1.5	M 32 X 1.5	M 38 X 1.5	M 45 X 1.5	M 60 X 1.5
SW	22	24	27	32	41
Part No.	CLR-3467-084-TBA	CLR-3467-085-TBA	CLR-3467-086-TBA	CLR-3467-087-TBA	CLR-3467-093-TBA

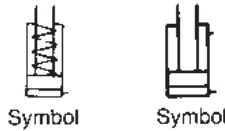


Carr Lane Roemheld Mfg. Co.

Sales — Phone (314) 647-6200 Fax (314) 647-5736
Engineering — Phone 1-800-827-2526 Web roemheld-usa.com



- a y t u t lat u a e
- elle t pu a da e ly
pe at e y e a la le
- u t e e tally e t ally
- a la le t t l t e
- e e t e
- t u e T t t



CLAMPING ACTION Fi pre re a an e
pl nger. Spring ret rn. Opti nal li-ret rn
er i n (le-a ting).

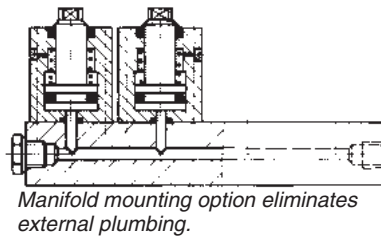
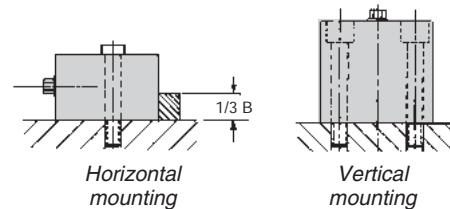
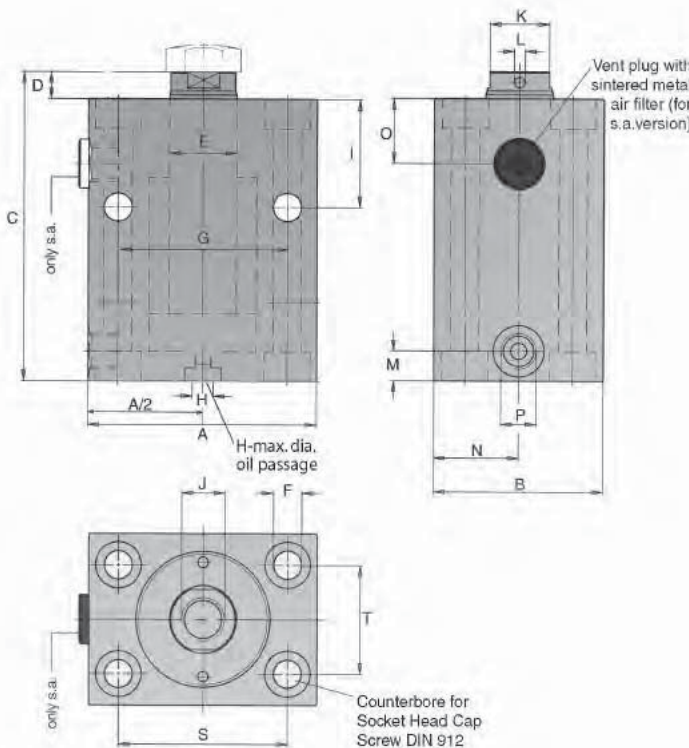
STRO E LENGTH Sh rt- tr ke er i n i m re
mpa t. Ch e t hene er p i le. L nger
tr ke than li te el are a aila le in all
ie plea e nta t a t r y.

MOUNTING Either a ten ith l ng ap re
thr gh the l k an threa e int i t re, r
tap h le in l k t a e p t re . See el
r l ati n t rill a iti nal h le i e i re . I
lamping thr t i n t a ke p y the i t re, a
pp r t h l e p r i e t p re ent light re
hi ting in the m nting h le ee e ample el .
S pp r t may e a re tang lar trip r el pin
(height h l e atlea t 1/3 B imen i n). Male
37 l i nne ti n (t ith le-a ting lamp).

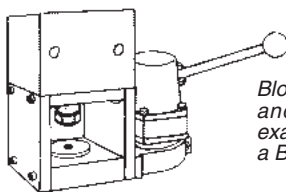
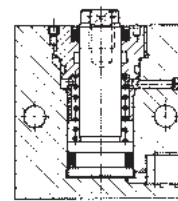
CONSTRUCTION Steel pl nger, a e har ene an
gr n . B y ma e r m ar n teel, rn lar i r n
in larger ie . Spring-ret m er i n ha ea intere -
metal ent lter t keep t i r t l l lant l
enter thr gh the ent, repla e ent lter ith a CLR-
815-AF air- ent iting.

ACCESSORIES C nta t l t r pl nger
re mmen e ee F A e ti n.

OPTIONAL VITON SEALS F r high-temperat re
appli ati n (p t 300 F ma im m) e er i t n
eal a an pti n in all ie . Plea e nta t a t r y
r m re in r mati n.



T T
For radius pointed, or swivel
contact bolts, see F&A section.



Block Clamps are ideal for punching and assembly operations. In this example, a small press is made using a Block Clamp and Hand Pump.

Block Clamps

7250 psi max
Single and double acting

Clamping force (lbs)	7250 psi	2250	5505	9035	14120	22145	35070	56650	88125
	6000 psi	1900	4600	7500	11700	18300	29000	46900	72900
	5000 psi	1600	3800	6200	9700	15300	24200	39100	60800
	4000 psi	1200	3000	5000	7800	12200	19300	31300	48600
	3000 psi	900	2300	3700	5800	9200	14500	23400	36500
Piston Area (sq. in.)	.312	.760	1.247	1.950	3.050	4.833	7.791	12.150	
Max. Oper. Pressure (psi)	7500	7500	7500	7500	7500	7500	7500	7500	
A	2.38	2.56	2.97	3.34	3.94	4.94	6.31	7.88	
B	1.38	1.75	2.19	2.50	2.94	3.75	4.75	5.94	
C short stroke	2.44	2.81	3.34	3.50	3.94	4.56	5.19	5.69	
C long stroke	3.81	4.00	4.34	4.50	4.94	5.88	7.06	8.06	
D	.22	.28	.38	.38	.38	.56	.56	.59	
E dia.	.39	.63	.79	.98	1.26	1.57	1.97	2.48	
F dia. screw	1/4	5/16	3/8	3/8	7/16	5/8	3/4	7/8	
G	1.181	1.969	2.165	2.480	2.992	3.740	4.724	6.220	
H dia.	.19	.19	.19	.19	.19	.31	.31	.31	
I	1.19	1.31	1.50	1.56	1.75	1.97	2.38	2.50	
J	1/4-20 x15/32	3/8-16 x19/32	1/2-13 x19/32	5/8-11 x31/32	3/4-10 x1-3/16	1-8 x1-9/16	M30x40	M42x60	
K	.31	.50	.63	—	—	—	—	—	
L dia.	—	—	—	.16	.16	.16	.19	.22	
M	.44	.44	.44	.44	.50	.66	.81	1.00	
N	.69	.88	1.09	1.25	1.47	1.88	2.38	2.94	
O	.66	.72	.88	.94	1.06	1.03	1.31	1.38	
P-Port size	G1/4	G1/4	G1/4	G1/4	G1/4	G1/2	G1/2	G1/2	
S	1.575	1.969	2.165	2.480	2.992	3.740	4.724	6.220	
T	.866	1.181	1.378	1.575	1.772	2.559	3.150	4.252	
Weight, short stroke (lbs.)	1.8	2.6	4.0	5.7	8.4	14.7	28.2	52.8	
Weight, long stroke (lbs.)	1.9	4.2	5.9	7.9	11.6	21.5	43.6	81.4	

Single Acting — Inch

Stroke, short	.31	.31	.38	.38	.47	.47	.47	.47
Stroke, long	.78	.78	.78	.78	.78	1.0	1.25	1.25
Fluid reqd., short (cu. in.)	.10	.24	.48	.73	1.37	2.26	3.68	5.75
Fluid reqd., long (cu. in.)	.23	.57	.94	1.46	2.29	4.83	9.81	15.34
Spring return force (lbs)	11	31	44	61	92	97	170	270
Part No. short stroke w/ fittings	CLR-1511-705	CLR-1513-705	CLR-1514-705	CLR-1515-705	CLR-1516-705	CLR-1517-705	—	—
Part No. long stroke w/ fittings	CLR-1511-725	CLR-1513-725	CLR-1514-725	CLR-1515-725	CLR-1516-725	CLR-1517-735	—	—
Part No. short stroke, Manifold Mount	CLR-1511-705B	CLR-1513-705B	CLR-1514-705B	CLR-1515-705B	CLR-1516-705B	CLR-1517-705B	—	—

Single Acting — Metric

J X Depth of thread	M6 X 12	M10 X 15	M12 X 15	M16 X 25	M20 X 30	M27 X 40	M30 X 40	M42 X 60
Part No. Short Stroke w/ fittings	CLR-1511-005	CLR-1513-005	CLR-1514-105	CLR-1515-005	CLR-1516-005	CLR-1517-005	CLR-1518-005	CLR-1519-005
Part No. Long Stroke w/ fittings	CLR-1511-025	CLR-1513-025	CLR-1514-125	CLR-1515-025	CLR-1516-025	CLR-1517-035	CLR-1518-045	CLR-1519-045
Part No. short stroke, Manifold Mount	CLR-1511-005B	CLR-1513-005B	CLR-1514-105B	CLR-1515-005B	CLR-1516-005B	CLR-1517-005B	CLR-1518-005B	CLR-1519-005B

Double Acting — Inch

Stroke, short	0.63	.78	1.00	1.00	1.00	1.19	1.25	1.56
Stroke, long	2.0	2.00	2.00	2.00	2.00	2.50	3.13	3.94
Fluid reqd., short (cu. in.)	.20	.57	1.25	1.95	3.05	5.74	9.81	19.17
Fluid reqd., long (cu. in.)	.62	1.52	2.50	3.90	6.10	12.08	24.54	47.93
Return piston area	.190	.448	.759	1.187	1.796	2.882	4.748	7.342
Part No. short stroke w/ fittings	CLR-1541-705	CLR-1543-705	CLR-1544-705	CLR-1545-705	CLR-1546-705	CLR-1547-705	—	—
Part No. long stroke w/ fittings	CLR-1541-765	CLR-1543-765	CLR-1544-765	CLR-1545-765	CLR-1546-765	CLR-1547-775	—	—

Double Acting — Metric

J x Depth of Thread	M6 x 12	M10 x 15	M12 x 15	M16 x 25	M20 x 30	M27 x 40	M30 x 40	M42 x 60
Part No. Short Stroke w/ fittings	CLR-1541-105	CLR-1543-105	CLR-1544-105	CLR-1545-105	CLR-1546-105	CLR-1547-105	CLR-1548-105	CLR-1549-105
Part No. Long Stroke w/ fittings	CLR-1541-165	CLR-1543-165	CLR-1544-165	CLR-1545-165	CLR-1546-165	CLR-1547-175	CLR-1548-185	CLR-1549-195

Larger sizes and strokes available (metric only).



Carr Lane Roemheld Mfg. Co.

Sales — Phone (314) 647-6200 Fax (314) 647-5736
Engineering — Phone 1-800-827-2526 Web roemheld-usa.com

Threaded-Body Universal Cylinder

7250 psi max
Single and double acting



- 6 piston diameters from 16 up to 63mm
- 3 different strokes per size
- Sealing with very little leakage
- Alternatively single acting with spring return or double acting
- Ports 1/4 BSPP at the cylinder bottom
- Axial regulation due to external thread
- Lock nuts as per DIN 1804 can be used
- Space-saving mounting in fixture walls
- Piston rod with internal thread for fixing of different contact bolts

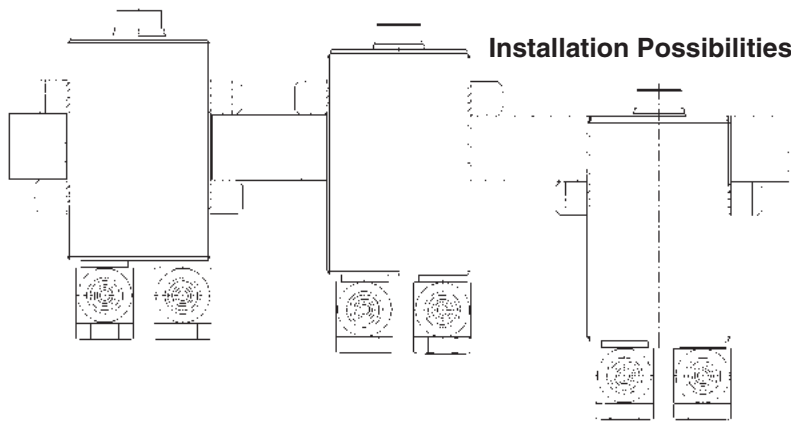
DESCRIPTION: The threaded-body universal cylinders are delivered with the same piston diameters and strokes as the well-proven block cylinders. Hydraulic connection is exclusively effected at the cylinder bottom by hydraulic tubes or hoses.

Sealing of the case-hardened piston rod is made by a tandem sealing with minimum leakage and a wiper.

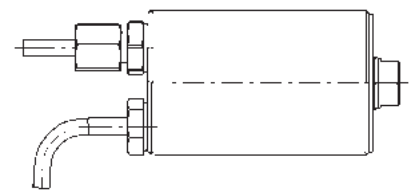
APPLICATION: The threaded-body universal cylinders can be used as clamping cylinders for workpiece clamping as well as for general motion tasks.

For temperatures exceeding 100°C a version with VITON® seals is available. Fixing is made in cross holes with 2 lock nuts or in threaded holes with 1 lock nut. The lock nuts allow exact positioning of the cylinder in axial direction.

BLEEDING OF THE SPRING AREA FOR SINGLE-ACTING VERSIONS: If there is a possibility that aggressive cutting lubricants and coolants penetrate through the sintered metal air filter into the cylinder's interior, a vent hose has to be connected and be placed in a protected position, see accessories.

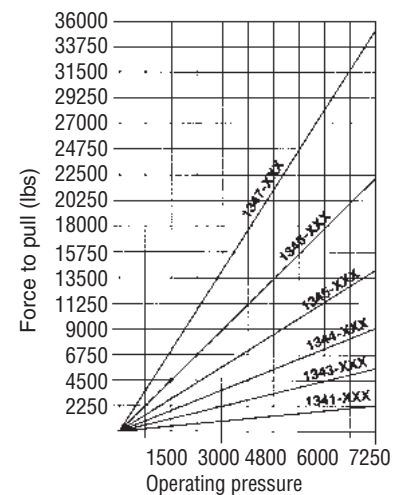
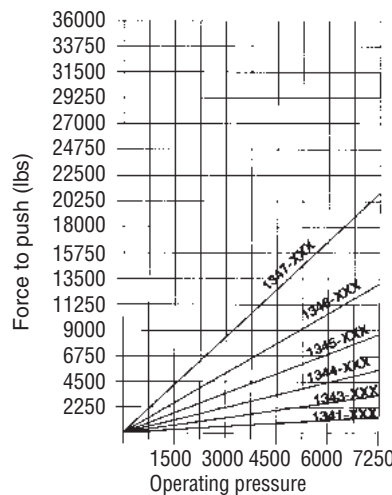
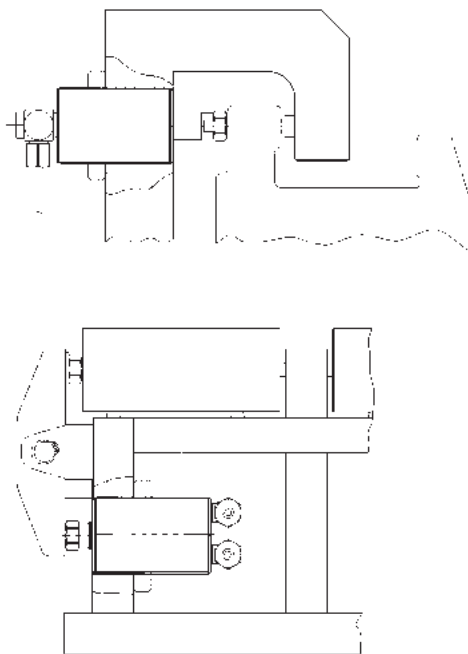


Installation Possibilities



For this purpose the sintered metal air filter has to be exchanged by an insertion nipple fitting, or a corresponding male connector, see accessories.

Application examples



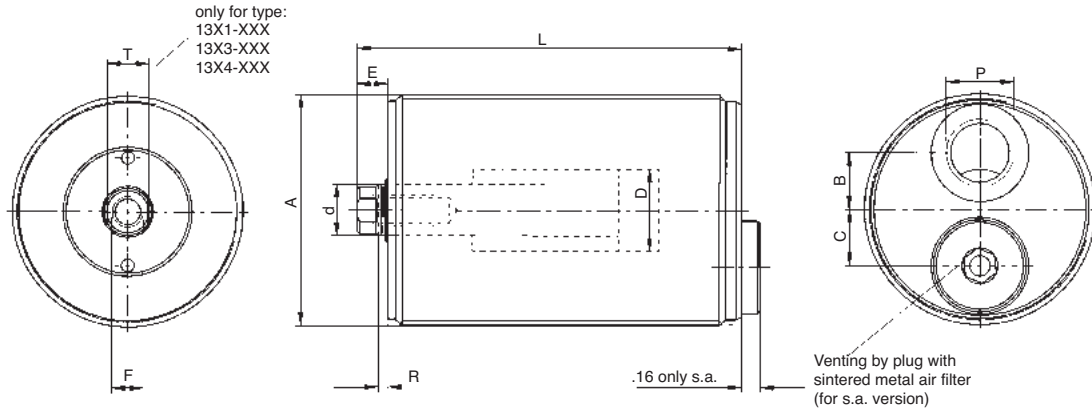
Carr Lane Roemheld Mfg. Co.

Sales — Phone (314) 647-6200 Fax (314) 647-5736

Engineering — Phone 1-800-827-2526 Web roemheld-usa.com

Threaded-Body Universal Cylinder

7250 psi max
Single and double acting



Clamping force (lbs)	7250 psi	2250	5510	9035	14120	22145	35070
	6000 psi	1900	4600	7500	11700	18400	29100
	5000 psi	1600	3800	6300	9800	15300	24200
	4000 psi	1300	3100	5000	7800	12300	19400
	3000 psi	1000	2300	3800	5900	9200	14600
Piston Dia. D	.630	.984	1.260	1.575	1.969	2.480	
Rod Dia. d	.394	.630	.787	.984	1.260	1.575	
Spring return force, min. (lbs)	11	32	44	61	92	97	
Oil Volume in Cubic Inches for each .39 inch of stroke	Stroke to Extend	.12	.3	.5	.8	1.21	2
	Stroke to Retract	.07	.18	.30	.5	.71	1.1
A	M45X1.5	M48x1.5	M55x1.5	M65x1.5	M75x1.5	M90x2	
B	.43	.53	.51	.65	.83	1.10	
C	.43	.53	.67	.85	1.06	1.32	
F	M6X12	M10x15	M12x15	M16x25	M20x30	M27x40	
E	.24 (.28)*	.28	.39	.39	.39	.55	
P	1/4 BSPP	1/4 BSPP	1/4 BSPP	1/4 BSPP	1/4 BSPP	1/4 BSPP	
R	—	—	—	.16	.16	.16	
T	8mm	13mm	17mm	—	—	—	

Single Acting, with Spring Return

Stroke, short	.31	.31	.39	.39	.47	.47
Total length l	2.95	3.31	3.78	3.90	4.29	4.80
Weight (lbs)	1.5	2	3	4.3	6.3	10
Part No.	CLR-1311-005-TB	CLR-1313-005-TB	CLR-1314-105-TB	CLR-1315-005-TB	CLR-1316-005-TB	CLR-1317-005-TB

Stroke, long	.79	.79	.79	.79	.79	.98
Total length l	4.33	4.49	4.76	4.88	5.28	6.10
Weight (lbs)	2.5	2.8	4	5.6	8	13
Part No.	CLR-1311-025-TB	CLR-1313-025-TB	CLR-1314-125-TB	CLR-1315-025-TB	CLR-1316-025-TB	CLR-1317-035-TB

Double Acting

Stroke, short	.63	.79	.98	.98	.98	1.18
Total length l	2.95	3.31	3.78	3.90	4.29	4.80
Weight (lbs)	1.5	2	3	4	6	9.4
Part No.	CLR-1341-105-TBD	CLR-1343-105-TBD	CLR-1344-105-TBD	CLR-1345-105-TBD	CLR-1346-105-TBD	CLR-1347-105-TBD

Stroke, medium	1.97	1.97	1.97	1.97	1.97	2.48
Total length l	4.33	4.49	4.76	4.88	5.28	6.10
Weight (lbs)	2.4	2.7	3.6	5.2	7.5	12
Part No.	CLR-1341-165-TBD	CLR-1343-165-TBD	CLR-1344-165-TBD	CLR-1345-165-TBD	CLR-1346-165-TBD	CLR-1347-175-TBD

Stroke, long	3.94	3.94	3.94	3.94	3.94	3.94
Total length l	6.42	6.46	6.73	6.85	7.24	7.56
Weight (lbs)	3.7	4	5.2	7.4	10.3	14.8
Part No.	CLR-1341-195-TBD	CLR-1343-195-TBD	CLR-1344-195-TBD	CLR-1345-195-TBD	CLR-1346-195-TBD	CLR-1347-195-TBD

Accessories

Part No. lock nut	CLR-3300-326-TBA	CLR-24-HCA	CLR-3300-992-TBA	CLR-3301-661-TBA	CLR-73-HCA	CLR-3300-412-TBA
-------------------	------------------	------------	------------------	------------------	------------	------------------

* Only for CLR-1311-025-TB and CLR-1341-165-TBD, -195-TBD



Carr Lane Roemheld Mfg. Co.

Sales — Phone (314) 647-6200 Fax (314) 647-5736
Engineering — Phone 1-800-827-2526 Web roemheld-usa.com

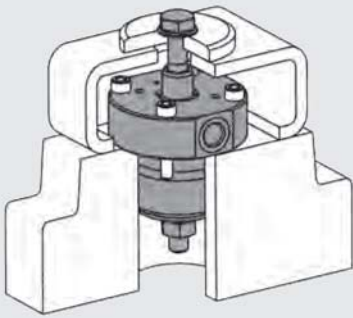
Pull Clamps



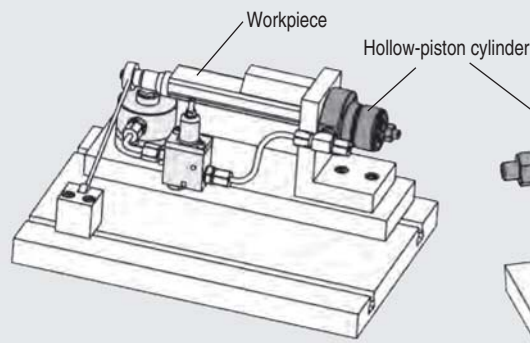
Page 641-642

Hollow-Plunger Clamps

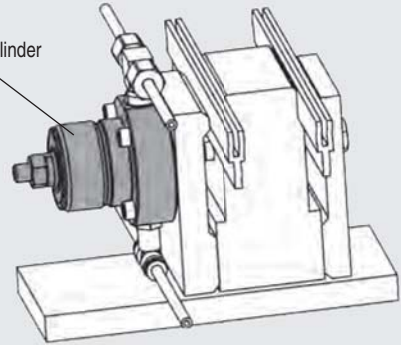
Insert stud through center hole. Quickly converts clamps straps from manual to power operation. Ideal for pulling or pushing a draw bar, and many other applications.



Use in combination with push-pull bolt and "C"-washer to clamp workpieces with center holes.



In a machine table, the workpiece can be supported by a work support after clamping with a hollow-piston cylinder in combination with a sequence valve.



Use for a milling fixture, in conjunction with hollow piston cylinders.



ROEMHELD
HILMA ■ STARK

Carr Lane Roemheld Mfg. Co.

Sales — Phone (314) 647-6200 Fax (314) 647-5736
Engineering — Phone 1-800-827-2526 Web roemheld-usa.com

Hollow-Plunger Clamps

7250 psi max
Single and double acting



- Quickly converts clamp straps from manual to power operation
 - Accepts stud through hollow plunger
 - May be used either to pull or to push
 - Useful for transmitting force to a remote location via a rod
 - Choice of six sizes
- **Do not use NPT fittings**

DESCRIPTION: The piston of this cylinder is provided with a through hole or internal thread. In connection with a standard tie rod and C-washer combination, a variety of applications are possible.

The thread in the piston can be drilled out, if required. If the hollow-piston cylinder is mounted onto movable parts, e.g. clamps, the oil has to be supplied through a high-pressure hose.

CLAMPING ACTION: Fluid pressure pushes up plunger, pulling up a clamping stud inserted through center hole. Spring or fluid return.

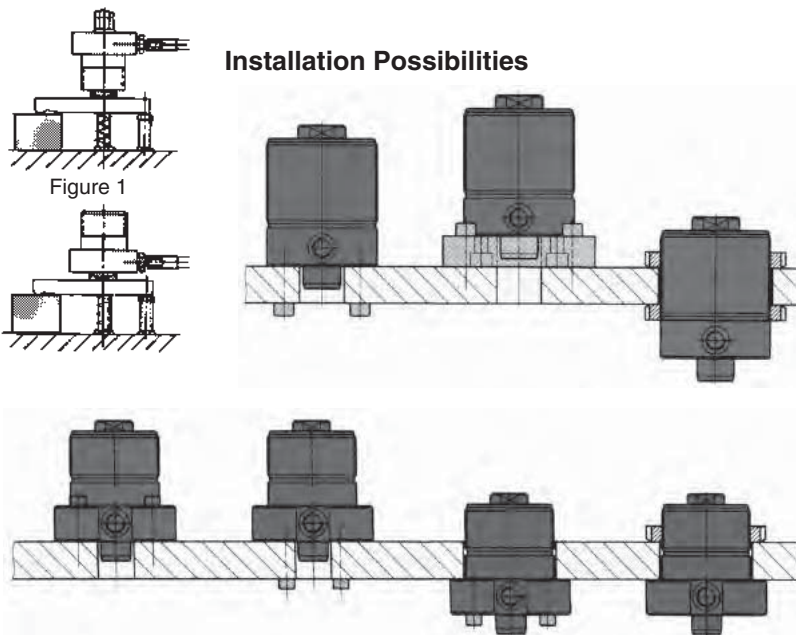
CENTER HOLE: Choose either threaded or unthreaded center hole. Threaded version is ideal for pulling/pushing a drawbar or replacing a nut on a clamp strap. Unthreaded version is useful when clamp is removed for workpiece loading.

IMPORTANT NOTES: For operating pressures exceeding 5000 psi, use a grade 8 stud or equivalent.

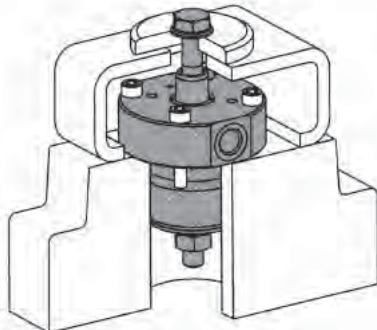
It is important to torque the lock nut used sufficiently to prevent damaging the piston threads.

Penetration of aggressive cutting lubricants and coolants through the sintered metal air filter into the cylinder's interior should be avoided by appropriate arrangement or covering.

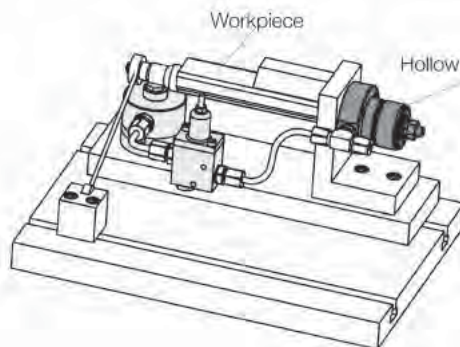
Installation Possibilities



Application Examples

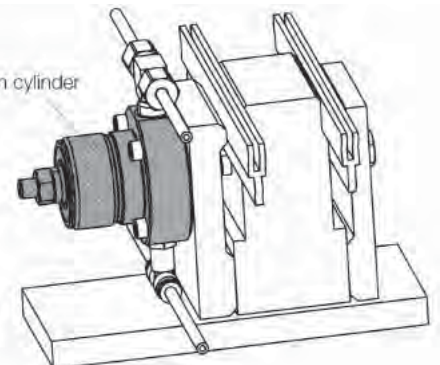


Hollow-piston cylinders in combination with push-pull bolt and "C"-washer can be used efficiently in many cases to clamp workpieces with center holes.



In the shown machine table, the workpiece is supported by means of a work support after clamping with a hollow-piston cylinder in combination with a sequence valve.

The savings in workpiece exchange time, compared to a mechanical clamping system amounts to 58%.



This clamping fixture is for milling operation on a light extruded rail. Workholding by means of hollow-piston cylinders in individual clamping stations mounted on a base plate. Positioning and support of the rail is effected with two longitudinal members matching the cross section of the rail.

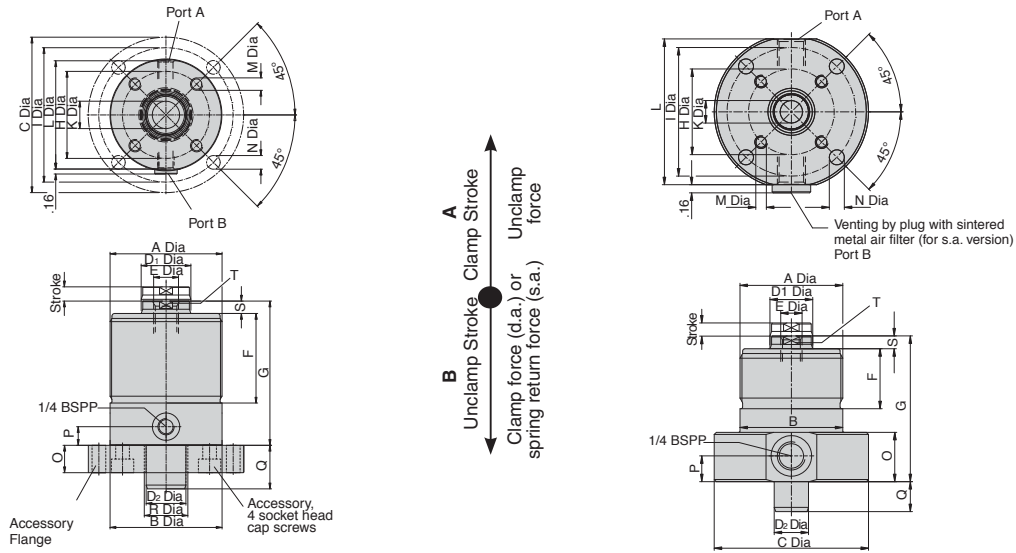


Carr Lane Roemheld Mfg. Co.

Sales — Phone (314) 647-6200 Fax (314) 647-5736
Engineering — Phone 1-800-827-2526 Web roemheld-usa.com

Hollow Plunger Clamps

7250 psi max
Single and double acting



Clamping Force/ Unclamping Force	7250 psi	2250	6745	10565	16545	25990	42375
	6000 psi	1900/1900	5600/4500	8800/7100	13700/10800	21600/17400	35100/28500
	5000 psi	1600/1600	4700/3800	7300/5900	11500/9000	18000/14500	29300/23800
	4000 psi	1300/1300	3800/3000	5900/4800	9200/7200	14400/11600	23400/19000
	3000 psi	1000/1000	2800/2300	4400/3600	6900/5400	10800/8700	17600/14300
Spring return force (s.a.)	20	45	61	86	106	214	
Piston area-clamp (sq.in.)	.3	.93	1.46	2.28	3.56	5.84	
Piston area-unclamp (sq.in.)	.3	.76	1.19	1.80	2.88	4.74	
Oil volume clamp	.25	1.17	2.30	4.50	8.83	18.4	
Oil volume unclamp	.25	.96	1.87	3.54	7.14	15.93	
A Dia	M40x1.5	M48x1.5	M60x1.5	M75x1.5	M90x2	M120x2	
B Dia	1.57	1.89	2.36	2.95	3.54	4.72	
C Dia	2.56	2.83	3.35	4.13	4.92	6.30	
D ₁ Dia	.472	.787	.984	1.256	1.575	1.969	
D ₂ Dia	.472	.623	.787	.984	1.256	1.575	
E Dia x depth of thread	M6x8	M10x12	M12x15	M16x20	M20x25	M24x30	
F	1.18	1.10	1.34	2.36	2.83	3.94	
G	2.28	2.68	3.15	3.70	4.57	5.39	
H Dia	1.181	1.575	1.969	2.362	2.756	3.858	
I Dia	2.05	2.36	2.83	3.54	4.25	5.51	
K Dia	.26	.41	.49	.65	.83	.98	
L	2.36	2.68	3.23	2.83	3.43	4.61	
M Dia x depth of thread	M6x8	M6x8	M6x10	M8x10	M10x14	M12x15	
N Dia	.27	.27	.27	.35	.43	.53	
O	.91	.91	.91	.79	.87	.98	
P	.47	.47	.47	.47	.59	.59	
Q	.47	.55	.75	.91	1.38	1.69	
R Dia	—	—	—	1.102	1.378	1.693	
S	.20	.24	.28	.35	.39	.39	
T A/Flats	10mm	17mm	22mm	27mm	36mm	46mm	
Weight (lbs)	1.8	2.6	4	4.9	9.7	2.14	

Single Acting With Spring Return

Stroke	.24	.31	.39	.47	.63	.79
Part No.	CLR-1752-004-HC	CLR-1754-004-HC	CLR-1755-004-HC	CLR-1756-004-HC	CLR-1757-004-HC	CLR-1758-004-HC

Double Acting

Stroke	.39	.47	.63	.79	1.26	1.57
Part No.	CLR-1752-023-HCD	CLR-1754-023-HCD	CLR-1755-023-HCD	CLR-1756-023-HCD	CLR-1757-023-HCD	CLR-1758-023-HCD

Flange Base

Part No.	—	—	—	CLR-3456-310-HCA	CLR-3456-313-HCA	CLR-3456-312-HCA
Part No., cap screw	—	—	—	CLR-3300-237-HCA	CLR-3300-277-HCA	CLR-3300-054-HCA
Part No., lock ring	CLR-99-HCA	CLR-24-HCA	CLR-11-HCA	CLR-73-HCA	CLR-12-HCA	CLR-34-HCA

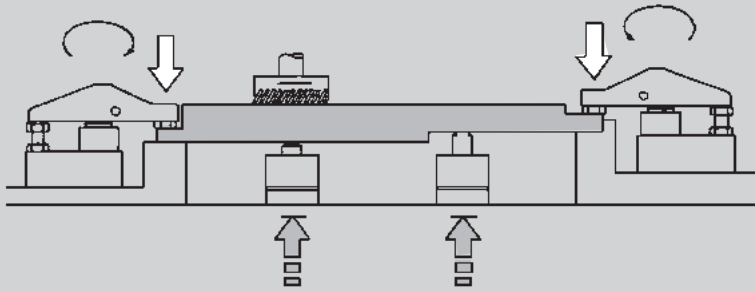


Carr Lane Roemheld Mfg. Co.

Sales — Phone (314) 647-6200 Fax (314) 647-5736
Engineering — Phone 1-800-827-2526 Web roemheld-usa.com

Work Supports

7250 psi max
Single and double acting

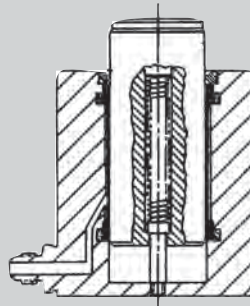


Automatically adjusts to proper height for supporting workpiece. Prevents deflection and vibration due to machining forces. May also be used underneath clamps to back up clamping force. More accurate, more consistent, and much faster than screw jacks.

Precision sleeve around support plunger holds it absolutely vertical while unlocked, then locks it securely when fluid pressure is applied. Plunger remains perfectly stationary during locking. Far better accuracy and repeatability than earlier segmented-collet or sandwiched-plate work supports. Choice of three actions:



Threaded Body
pages 644-645

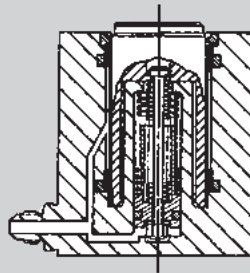


Spring Extended (Plunger floats then locks)

Plunger is normally extended by light spring force. Workpiece's weight depresses plunger to proper height. Applying fluid pressure locks plunger securely.



Threaded Body
pages 644-646

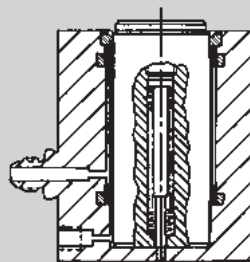


Fluid Advanced (Plunger advances then locks)

Plunger is normally retracted for clear loading/unloading. Applying fluid pressure gently advances plunger to the workpiece, then automatically locks it. Note: do not use advancing plunger to lift loads.



Threaded Body
pages 644-646



Air Advanced/Extended (Plunger floats or advances by air pressure)

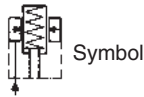
Plunger is normally retracted for clear loading/unloading. Applying air pressure advances plunger to the workpiece. This allows fine tuning contact pressure using a simple air regulator. Contact force may be as light as a few ounces. Applying fluid pressure locks plunger securely.

Threaded-Body Work Supports

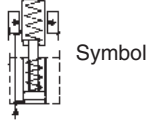
7250 psi max
Single Acting



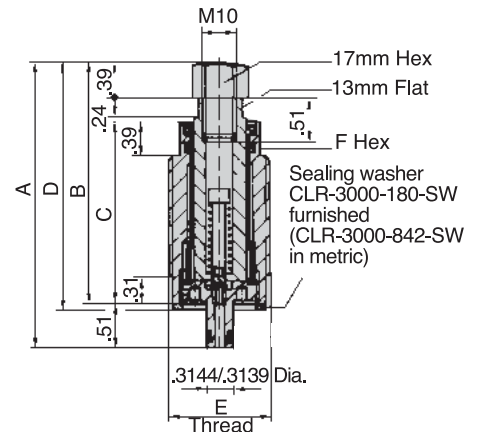
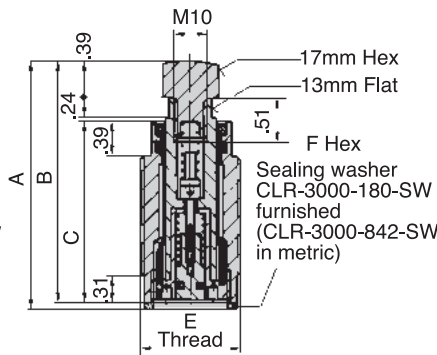
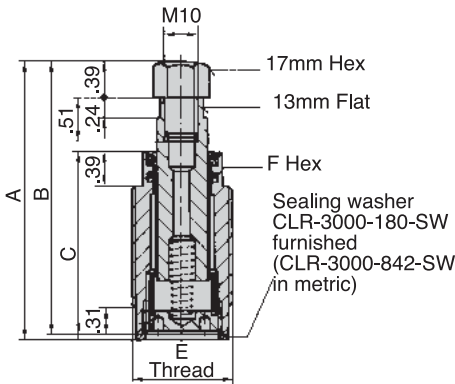
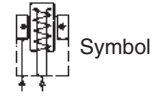
Spring Extended



Fluid Advanced



Air Advanced



Load Capacity at 7250 psi	1460 Lbs				2135 Lbs				
	Spring Extended	Fluid Advanced	Air Advanced	Spring Extended	Fluid Advanced	Air Advanced	Spring Extended	Fluid Advanced	Air Advanced
Plunger action	Spring Extended	Fluid Advanced	Air Advanced	Spring Extended	Fluid Advanced	Air Advanced	Spring Extended	Fluid Advanced	Air Advanced
Stroke	.31	.31	.59	.31	.31	.59	.31	.31	.59
Max. load capacity (lbs)	1460	1460	1460	1460	2135	2135	2135	2135	2135
Fluid required (cu.in)	.01	.10	.10	.01	.01	.10	.18	.01	.01
Max. fluid flow rate (cu.in./min.)	—	100	100	—	100	100	—	—	—
Contact force, min/max (lbs)	1.8 to 3.0	2.2 to 5.2	2.2 to 5.2	See text	1.8 to 3.0	2.2 to 5.2	2.2 to 5.2	See text	See text
Max. operating pressure (psi)	7250	7250	7250	7250	7250	7250	7250	7250	7250
Min. operating pressure (psi)	1460	1460	1460	1460	1460	1460	1460	1460	1460
A	3.17	2.85	3.13	3.31	3.56	3.25	3.52	3.70	3.70
B	3.11	2.80	3.07	2.80	3.50	3.19	3.46	3.19	3.19
C	2.13	2.13	2.40	2.13	2.52	2.52	2.80	2.52	2.52
D	—	—	—	2.85	—	—	—	—	3.25
Weight (lbs)	.6	.6	.6	.6	.6	.6	.6	.6	.6

INCH

E Thread	1-1/4-16	1-1/4-16	—	1-1/4-16	—	—	—	—
F Hex	1.06	1.06	—	1.06	—	—	—	—
Part. No., Work Support only	CLR-001-WS	CLR-201-WS	—	CLR-101-WS	—	—	—	—
Part No., Base only	CLR-712-WSA	CLR-712-WSA	—	CLR-711-WSA	—	—	—	—
Part No., Work Support with Base	CLR-000-WS	CLR-200-WS	—	CLR-100-WS	—	—	—	—

METRIC

E Thread	M30x1.5	M30x1.5	M30x1.5	M30x1.5	M30x1.5	M30x1.5	M30x1.5	M30x1.5
F Hex	24mm	24mm	24mm	24mm	24mm	24mm	24mm	24mm
Part. No., Work Support only	CLR-1940-000-WS	CLR-1942-000-WS	CLR-1942-005-WS	CLR-1941-000-WS	CLR-1940-010-WS	CLR-1942-010-WS	CLR-1942-015-WS	CLR-1941-010-WS

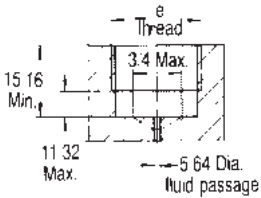


Carr Lane Roemheld Mfg. Co.

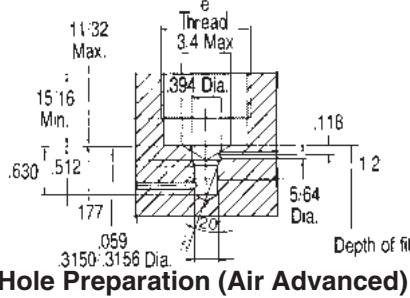
Sales — Phone (314) 647-6200 Fax (314) 647-5736
Engineering — Phone 1-800-827-2526 Web roemheld-usa.com

Threaded-Body Work Supports

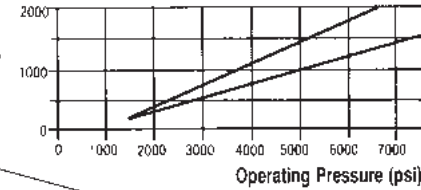
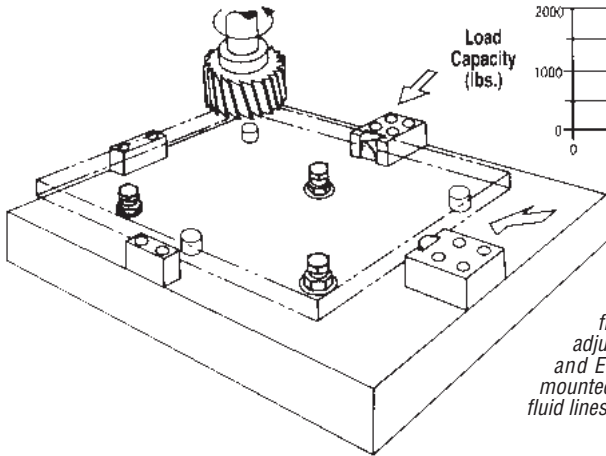
7250 psi max
Single acting



**Hole Preparation
(Spring Extended and
Fluid Advanced)**



Hole Preparation (Air Advanced)



Example:
Workpiece supported by three fixed rest buttons and three self-adjusting Work Supports. Supports and Edge Clamps are all manifold mounted, so the fixture has no exposed fluid lines to trap chips.

OPTIONAL BASE



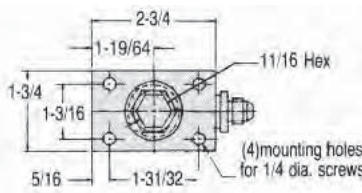
**Spring-Extended
Work Support
with Base
CLR-000-WS**



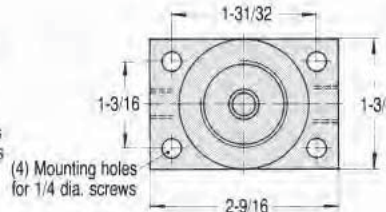
**Fluid-Advanced
Work Support
with Base
CLR-200-WS**



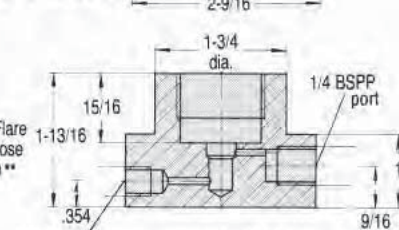
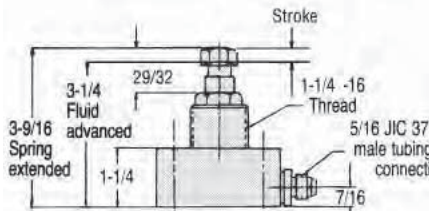
**Air-Advanced
Work Support
with Base
CLR-100-WS**



**Base Only
CLR-712-WSA**



**Base Only
CLR-711-WSA**



- Amazingly compact threaded body work support, only 1-1/4 inches in diameter!
- Height adjusts automatically with repeatability with $\pm .0002$ inches
- Choice of two sizes in each of three-action types, plus a long-stroke fluid-advanced model (1700 lbs)
- Support plunger held by an advanced design, sliding-fit pressure sleeve (holds plunger absolutely vertical, locked or unlocked)

SUPPORT ACTION (SPRING EXTENDED): Plunger is normally extended by light spring force. Workpiece's weight depresses plunger to proper height. When fluid pressure is applied, precision sleeve grips plunger, locking it securely.

SUPPORT ACTION (FLUID ADVANCED): Plunger is normally retracted for clear workpiece loading/unloading. Applying fluid pressure gently advances plunger to workpiece, where it contacts with light spring force. When fluid pressure is applied, precision sleeve grips plunger, locking it securely. Plunger retracts again when pressure is released.

SUPPORT ACTION (AIR ADVANCED): Plunger is normally retracted for clear workpiece loading/unloading. Applying air pressure gently advances plunger to workpiece. A simple 3-way air valve, fine pressure regulator, and air dryer are required. Fine tune contact pressure using regulator. When fluid pressure is applied, precision sleeve grips plunger, locking it securely. Plunger retracts again when air pressure is released. Air-advanced version is also available without spring return for extremely sensitive contact-force adjustment (part no CLR-7990-284-WS without base, CLR-110-WS with base).

ACCURACY: Height repeatability $\pm .0002$ inches. Excellent repeatability because (1) sliding fit sleeve keeps plunger absolutely vertical while unlocked, avoiding inaccuracy due to locking a tilted plunger, and (2) locking force is entirely radial, so plunger stays absolutely stationary during locking. Elastic deflection of plunger is only .00016 inches per 100 lbs. machining load.

MOUNTING: Screw work support into a tapped hole prepared as shown below. Hole bottom must be perpendicular to the hole's axis, with a 125 RMS maximum surface finish. Minimum seating torque 50 ft.-lbs. Supply fluid through passages drilled in the fixture.

SEQUENCING: If workpiece is too light to depress plunger (spring extended) or light enough that plunger contact may lift it (fluid advanced), a sequence valve is recommended. Sequence valve delays locking or advancing the plunger until after the workplace is clamped.

CONSTRUCTION: Steel plunger, hardened and ground. Plunger held inside a honed locking sleeve (sliding fit). Carbon steel body, black oxide finish. Hardened contact bolt furnished.

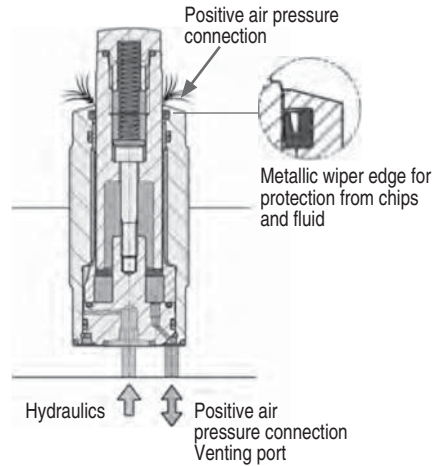


Carr Lane Roemheld Mfg. Co.

Sales — Phone (314) 647-6200 Fax (314) 647-5736
Engineering — Phone 1-800-827-2526 Web roemheld-usa.com

Work Supports ■ Threaded-Body Work Support ■ B1.943

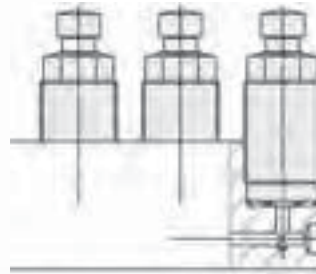
Thr. Body Work Support ■ 4 sizes ■ 3 types of function - Hydraulic, Air, Spring Single Acting ■ Max. Operating Pressure ■ 7250 psi (500 bar)



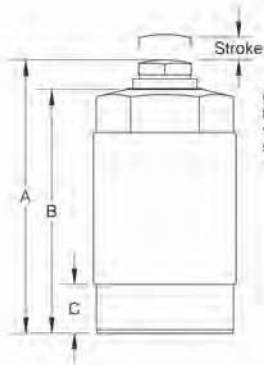
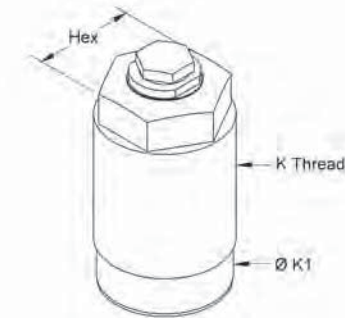
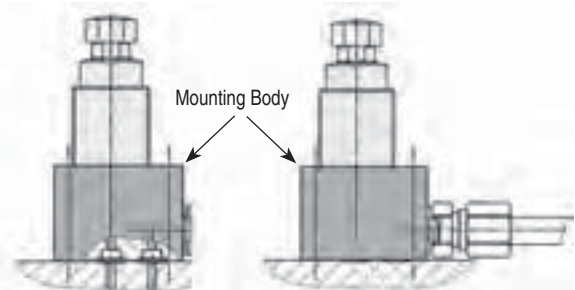
Work Supports are used to provide a self-adjusting rest of workpieces to minimize vibration and deflection from machining forces. This family of products provides multiple mounting options and four sizes within each of the three actuation types (Spring, Air, or Oil Extended). They are designed with an integrated metallix wiper edge backed up by a FKM wiper to provide excellent resistance to chips and fluid. If additional protection is required, the work supports can be piped to have low-pressure air blow-off from the wiper area.

Installation and connecting possibilities

Drilled channels



O-Ring connection Tube connection



(The plunger position for the Spring Extended version is extended, so stroke is inverted.)



Load Capacity at 7250 psi (lbs)	1460	3370	5285	9440
Stroke (in.)	0.31	0.39	0.39	0.63
A (in.)	2.97	3.39	3.54	4.53
B (in.)	2.32	2.85	3.07	4.04
C (in.)	0.33	0.69	0.81	0.81
K Thread	M30 x 1.5	M36 x 1.5	M48 x 1.5	M60 x 1.5
Ø K1 (in.)	1.12	1.35	1.83	2.30
Hex (in.)	0.94	1.81	1.61	1.97
Weight (lbs)	0.66	1.10	1.98	4.19
Part No., Spring Extended	CLR-1940-300	CLR-1940-400	CLR-1940-501	CLR-1940-601
Part No., Air Advanced	CLR-1941-300	CLR-1941-400	CLR-1941-501	CLR-1941-601
Part No., Fluid Advanced	CLR-1942-300	CLR-1942-400	CLR-1942-501	CLR-1942-601

Accessories

Part No., Mounting Body	CLR-0346-815	CLR-0346-816	CLR-0346-817	CLR-0346-818
Part No., Protection Cap (splash guard)	CLR-3546-110	CLR-3546-111	CLR-3546-112	CLR-3546-113

14 The Protection Cap can be installed between the contact bolt and plunger to protect the wiper area from high pressure coolant and chips.

Subject to change. For further details, including detailed dimensions and mounting instructions, visit roemheld-usa.com.



Carr Lane Roemheld Mfg. Co.

Sales — Phone (314) 647-6200 Fax (314) 647-5736

Engineering — Phone 1-800-827-2526 Web roemheld-usa.com

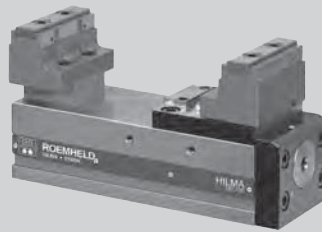
Power Vises and Concentric Clamping

Power Machine Vises

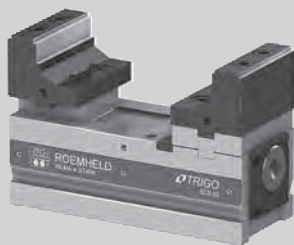
Carr Lane Roemheld has a wide variety of machine vises for your applications, made of the finest quality construction for excellent rigidity and durability. More varieties can be found in the Machining Vises section at clrh.com.



NC-Series Machining Center Vises
pages 650-651



Mini Clamp Vises
pages 656-657



Super Compact Clamps
page 658



Concentric Vises
pages 661

Machining Center Vises — NC-series Vises, available with or without gauge, are available in both hydraulic and hydromechanical versions. The hydraulic version provides automatic power clamping with exact high force at the push of a button. The hydromechanical version is manually operated, with final high force applied easily using hydraulic power assist.

Mini Clamp Vises (MC series) are designed especially for multi-face machining with a single clamping operation. Unique design allows clear tool access to five-out-of-six workpiece sides. Ideal for machining complicated workpieces in a single clamping operation, such as in mold making. Mini-Clamp Vises are small, but have a large holding capacity.

Super Compact Clamps (SCS series) offer new machining and manufacturing technologies, with its short base and easy movement of the fixed jaw. The clamp is ideally suited for 5-sided machining, is affordably priced, and is well suited for short, standard tools.

Concentric Vises offer quick, accurate clamping of odd-sized workpieces. These vises may be used in machining centers, on machine tools and final processing machines as well as in special jigs and fixtures. These self-centering vises position and clamp workpieces precisely on a defined symmetrical axis, allowing for any contours, and have a high clamping repeatability of ± 0.01 mm.

Vise Jaws and Accessories

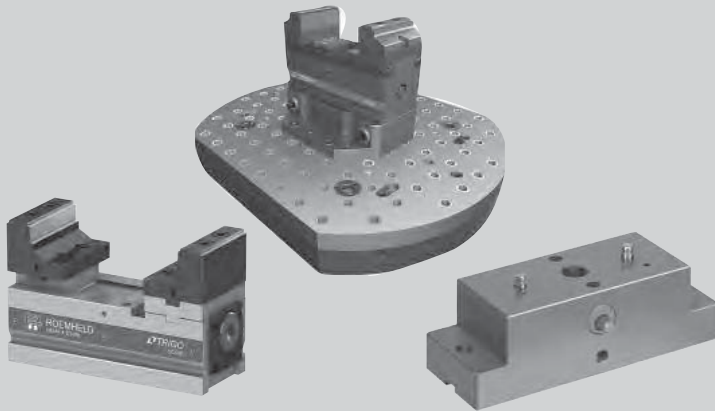
pages 652-653



Carr Lane Roemheld Mfg. Co.

Sales — Phone (314) 647-6200 Fax (314) 647-5736
Engineering — Phone 1-800-827-2526 Web roemheld-usa.com

Power Vises and Fixturing Systems



CL5® Quick-Change Five-Axis Workholding

pages 654-660



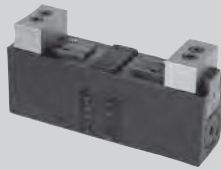
Quick-Change Five-Axis Workholding

Accurate and versatile fixture for round, square, and hex-shaped workpieces. Mounts vertically or horizontally, and uses standard 5C collets. Advanced workpiece-release mechanism for flawless operation. Far better accuracy and repeatability than competitive collet vises. Workpiece is pulled solidly against the bottom stop for excellent height repeatability.



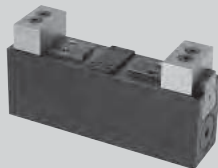
With Fixed Jaw

page 664



Concentric

page 665



Position Flexible

page 666

Fixture Clamps

Fixture clamps consist of a very compact body with integrated hydraulic cylinders that actuate the movable jaw. All threads and ports are at the bottom which allows for a very tight and space savings arrangement. Accessory blank jaws are also available that can be milled to match the workpiece contour.



Carr Lane Roemheld Mfg. Co.

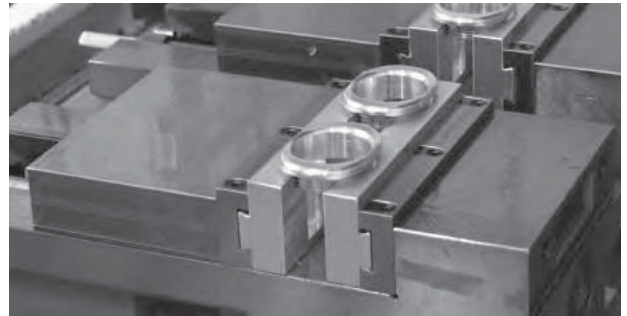
Sales — Phone (314) 647-6200 Fax (314) 647-5736

Engineering — Phone 1-800-827-2526 Web roemheld-usa.com

CARVESMART™ QUICK CHANGE VISE JAWS

QUICK ■ ACCURATE
VERSATILE ■ STURDY

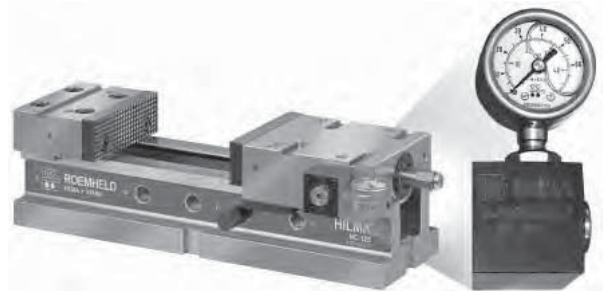
The patented CARVESMART™ Quick-Change Vise Jaw System is a complete package of dovetailed jaws for production and toolroom vises that are accurately changed in seconds.



- CLAMP NUTS: 1018 steel with QPQ wear and corrosion resistant surface treatment.
- SPEED SCREWS: Black oxidized, alloy steel differential screw. RH/LH travel moves twice as fast, lifts and pulls without gauling.
- SMARTstop™ is an internal-to-the-jaw set, slot and pin system for jobs that repeat.
- Extruded jaw stock can be cut to any length from 1/2" to 94", available in five profiles.
- Fully accessorized with dovetailed hard jaws, PERMAjaws and 1018 steel jaws.

Save \$\$ When Bundled with the NC Vise

Our NC vise is available with an *integrated force gauge* which tells you how much holding force is being applied to your workpiece. Minimal effort on the crank handle results in extremely high holding force because of the built-in hydraulic power of the vise. Now you'll know if your part is being held properly.



- Better clamping quality
- Correct clamping force every time
- Consistent process control
- Reduced tool breakage
- Workpiece deformation reduced
- Ideal for roughing and finishing
- Reduced operator fatigue

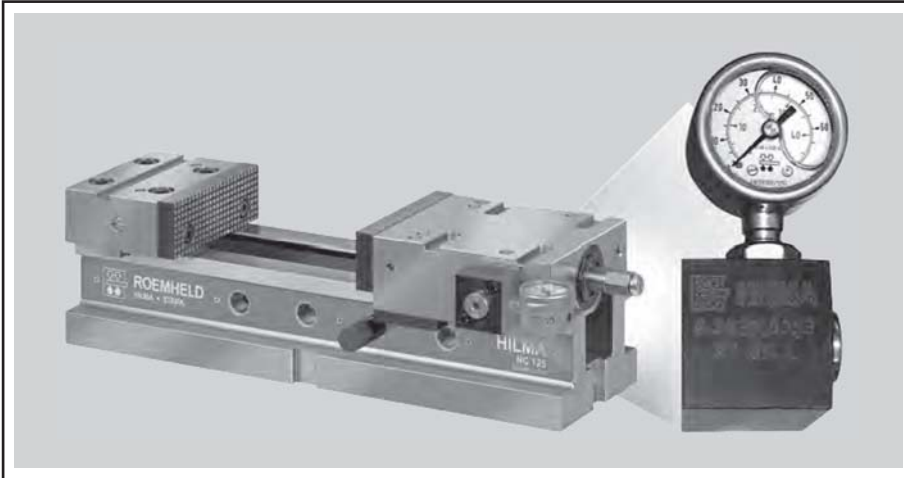
Visit clrh.com/carvesmart for more details, and to watch the video!



Carr Lane Roemheld Mfg. Co.

Sales — Phone (314) 647-6200 Fax (314) 647-5736

Engineering — Phone 1-800-827-2526 Web roemheld-usa.com



**NC Series Hydra-Mechanical
(shown with gauge)**

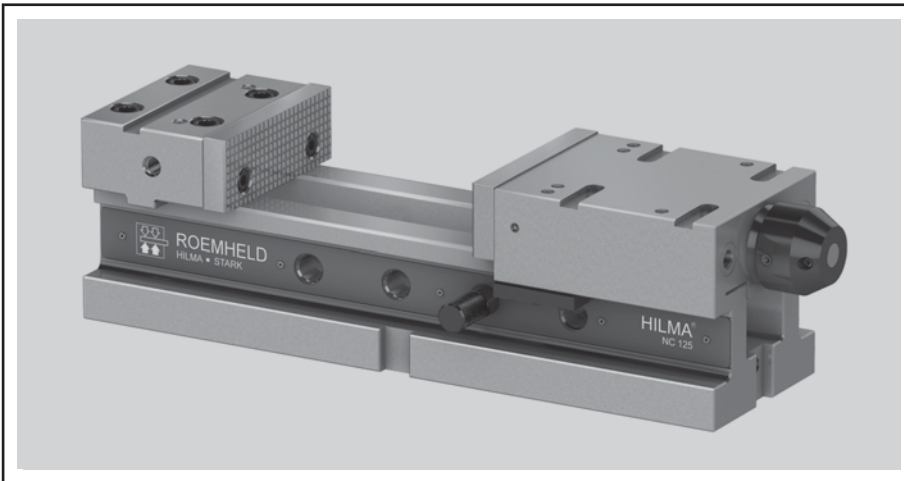
- Hydraulic version provides automatic power clamping with exact high force at the push of a button (requires external power unit)
- Hydra-mechanical version is manually operated, with final high force applied easily using hydraulic power assist
- Finest-quality construction for excellent rigidity and durability
- Choice of three sizes

OPERATION OF HYDRAULIC VERSION: To set up initially, adjust jaw opening to the workpiece using the removable crank handle. When fluid pressure is applied by actuating the external power unit, the sliding jaw moves through its power stroke to apply full clamping force (.276" maximum stroke for safety). Unclamping is by positive spring return.

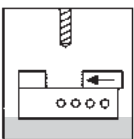
OPERATION OF HYDRA-MECHANICAL VERSION: Turning the crank handle clockwise moves the sliding jaw mechanically toward the workpiece. Once resistance is met, further turning automatically disengages the screw spindle and gradually applies full hydraulic pressure, with relatively little effort. Turn handle counterclockwise to unclamp.

MOUNTING: Vises are all slotted underneath for 20mm fixture keys, to provide accurate mounting on T-slotted machine tables. Use two Step Fixture Keys to adapt to a specific table-slot size (see tooling-component catalog section). A hardened steel pin fits into any of the adjustment holes on each side of the guide rails, to provide quick coarse adjustment of jaw opening.

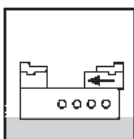
ACCESSORIES: A crank handle is furnished with each vise. Optional right-angle-drive units (hydra-mechanical version only) are highly recommended if vises are mounted vertically.



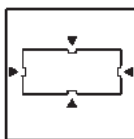
NC Series Hydraulic



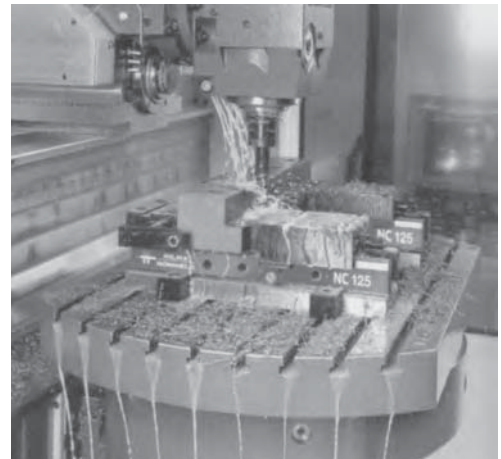
Horizontal Mounting



Accepts Top Jaws



Two-Axis Location



NC-Series vises are ideal for precision, high-production machining on all types of vertical machining centers.



Carr Lane Roemheld Mfg. Co.

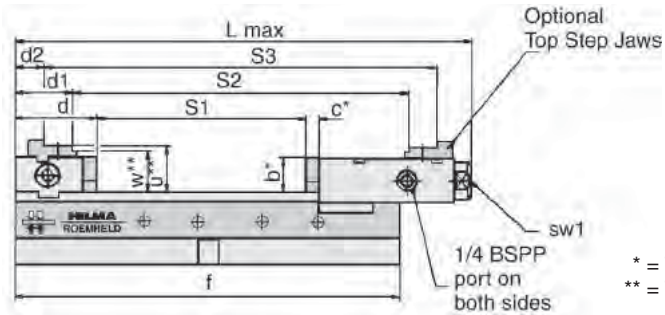
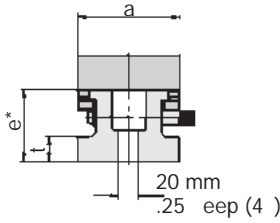
Sales — Phone (314) 647-6200 Fax (314) 647-5736

Engineering — Phone 1-800-827-2526 Web roemheld-usa.com

Machining-Center Vises ■ NC Series

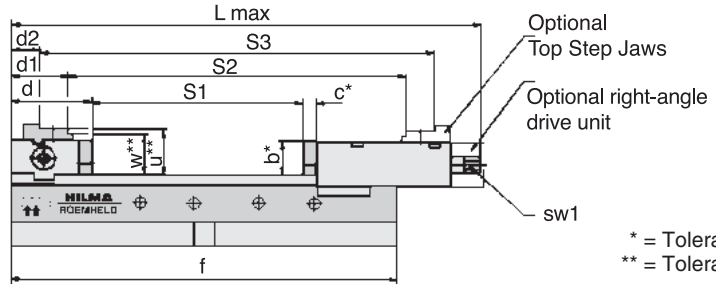
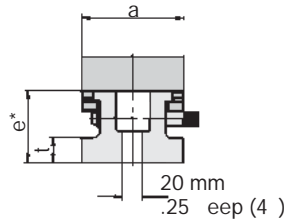
5075 psi max
Single acting

Hydraulic



* = Tolerance ± .0004
** = Tolerance ± .0008

Hydra-Mechanical



* = Tolerance ± .0004
** = Tolerance ± .0008



Force Limiting Adapter	
100mm	CLRH-9-3762-0100-VSA
125mm	CLRH-9-3762-0125-VSA
160mm	CLRH-9-3762-0160-VSA

Jaw Width	100mm	125mm	160mm
a	3.937	4.921	6.299
b	1.3386	1.7717	2.1260
c	.5118	.5906	.7087
d	3.1496	3.9370	4.7244
d1	2.2047	2.7165	2.8346
d2	1.1024	1.3780	1.4567
e	2.7559	3.2283	3.7402
f	14.96	16.93	21.65
t	.94	1.06	1.06
u	1.7717	2.2835	2.7559
w	1.5748	2.0866	2.5591
Weight (lbs)	41	69	129



Optional Right-Angle Drive Unit for Hydra-Mechanical Version

Hydraulic Vises			
Max. clamping force (lbs)	5620	8990	14160
Power stroke	.197	.197	.276
Max. operating pressure (psi)	5000	5000	5000
Fluid required (cu.in.)	.31	.43	.85
L max	17.95	20.39	26.57
S1	8.23	8.98	12.36
S2	13.15	14.41	20
S3	15.35	17.09	22.76
sw1	8mm	8mm	10mm
Part No., Vise	CLRH-3082-02-VS	CLRH-3083-02-VS	CLRH-3084-02-VS

Hydra-Mechanical Vises			
Max. clamping force (lbs)	5620	8990	11240
Max. cranking force required (lbs)	11	17	21
crank throw	3.15	3.94	4.92
L max	18.27	20.71	26.93
S1	8.07	8.86	12.17
S2	12.99	14.29	19.80
S3	15.20	16.97	22.56
sw1	14mm	17mm	19mm
Part No., Vise	CLRH-3072-02-VS	CLRH-3073-02-VS	CLRH-3074-02-VS
Part No., Right-Angle Drive Unit	CLRH-3294-05-VSA	CLRH-3294-06-VSA	CLRH-3294-07-VSA
Part No., Vise with Gauge	CLRH-9-3072-0215-VS	CLRH-9-3073-0215-VS	CLRH-9-3074-0215-VS

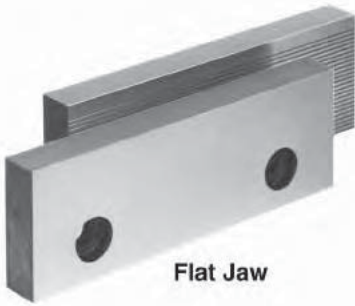


Carr Lane Roemheld Mfg. Co.

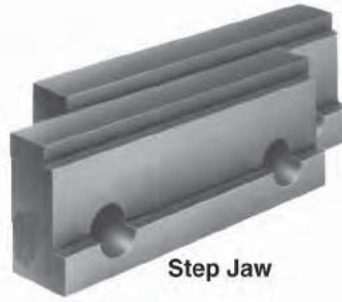
Sales — Phone (314) 647-6200 Fax (314) 647-5736
Engineering — Phone 1-800-827-2526 Web roemheld-usa.com

Vise Jaws

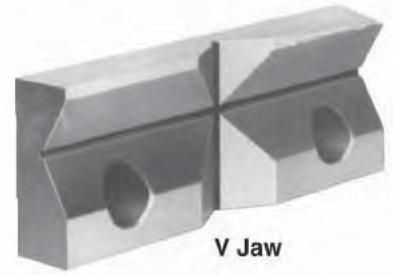
Machine Vise Jaws



Flat Jaw



Step Jaw



V Jaw



Swivel Jaw

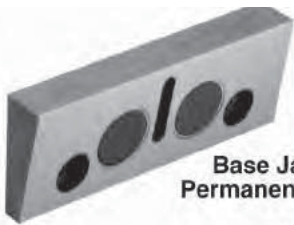


Extra-Wide Flat Jaw

Jaw Type (Single Jaw)	100mm Vise	125mm Vise	160mm Vise
Part No., Standard Flat Jaw	CLRH-5-2058-1003-VSA	CLRH-5-2058-1004-VSA	CLRH-5-2058-1005-VSA
Part No., Soft Flat Jaw	CLRH-5-2055-0097-VSA	CLRH-5-2055-0098-VSA	CLRH-5-2055-0099-VSA
Part No., Extra Wide Flat Jaw	CLRH-5-2058-1025-VSA	CLRH-5-2058-1026-VSA	CLRH-5-2058-1027-VSA
Part No., V Jaw	CLRH-5-3030-0002-VSA	CLRH-5-3030-0003-VSA	CLRH-5-3030-0004-VSA
Part No., Swivel Jaw	CLRH-3711-02-VSA	CLRH-3711-03-VSA	CLRH-3711-04-VSA
Part No., Step Jaw	CLRH-5-2082-0001-VSA	CLRH-5-2082-0002-VSA	CLRH-5-2082-0003-VSA

Quick-Insert – System Jaws

Base jaws are screwed to the fixed jaw and to the slide. Inserts, kept in place by two permanent magnets, can be changed in a few seconds.



Base Jaw with Permanent Magnets



Standard Jaw Insert



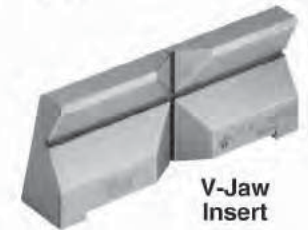
Soft Jaw Insert



Serrated Jaw Insert



Step Jaw Insert



V-Jaw Insert

Jaw Type (Single Jaw)	100mm Vise	125mm Vise	160mm Vise
Part No., Magnetic Base Jaw	CLRH-3771-02-VSA	CLRH-3771-03-VSA	CLRH-3771-04-VSA
Part No., Standard Jaw Insert	CLRH-3771-12-VSA	CLRH-3771-13-VSA	CLRH-3771-14-VSA
Part No., Soft Jaw Insert	CLRH-3771-72-VSA	CLRH-3771-73-VSA	CLRH-3771-74-VSA
Part No., Serrated Jaw Insert	CLRH-3771-22-VSA	CLRH-3771-23-VSA	CLRH-3771-24-VSA
Part No., Step Jaw Insert	CLRH-3771-42-VSA	CLRH-3771-43-VSA	CLRH-3771-44-VSA
Part No., V Jaw Insert	CLRH-3771-52-VSA	CLRH-3771-53-VSA	CLRH-3771-54-VSA

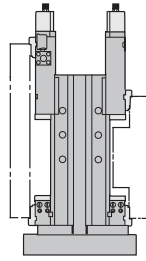
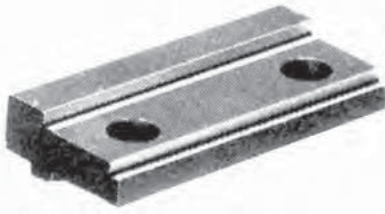


Carr Lane Roemheld Mfg. Co.

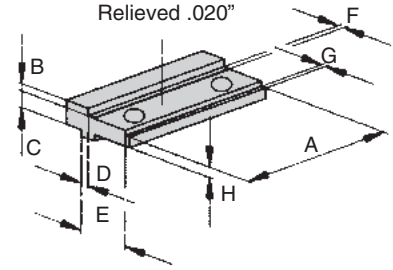
Sales — Phone (314) 647-6200 Fax (314) 647-5736

Engineering — Phone 1-800-827-2526 Web roemheld-usa.com

Vise Accessories

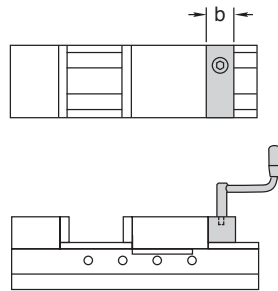


Precision step jaws that mount on top of the fixed and sliding jaws, extending jaw capacity significantly. These hardened and ground jaws are keyed to maintain excellent positional accuracy, as well as height accuracy. Note: top step jaws for sliding jaws have a wider hole spacing than those for fixed jaws. Two mounting screws are included.



Top Step Jaws

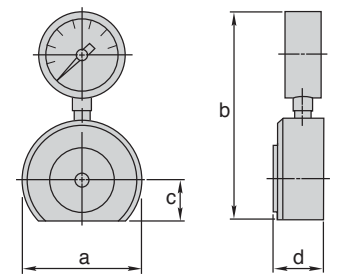
Part No. for Fixed Jaw	Part No. for Sliding Jaw	Jaw Width	A	B	C ±.0004	D ±.0004	E ±.0004	F	G	H ±.0004
CLRH-3284-02-VSA	CLRH-3284-12-VSA	100mm	3.9370	.197	.4528	.2362	1.3386	.197	.157	.2559
CLRH-3284-03-VSA	CLRH-3284-13-VSA	125mm	4.9213		.5512		1.5748			.3543
CLRH-3284-04-VSA	CLRH-3284-14-VSA	160mm	6.2992	.6693	.3150	1.6929	.4724			



Extremely useful accessory for hydra-mechanical vises. Recommended when cranking from the end is difficult, especially when vises are mounted vertically.

Right-Angle Drive Units

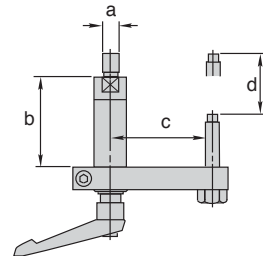
Part No.	Fits Jaw Width	Drive Hex Size	Crank Throw	b	Weight (lbs)
CLRH-3294-05-VSA	100mm	10mm	4.92	1.54	.5
CLRH-3294-06-VSA	125mm			1.69	1.0
CLRH-3294-07-VSA	160mm			1.81	2.0



Handy gauge for measuring clamping force in hydraulic or mechanical clamping systems. Flat side allows easier positioning in-line with the clamping force, especially for vises. Choice of two force ranges.

Force Gauges (Load Cells)

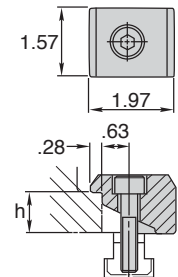
Part No.	Indicating Range	a dia	b	c	d
CLRH-2-9501-0001-VSA	0-60 kN (0-13,500 lbs)	3.46	5.91	1.14	1.46
CLRH-2-9501-0002-VSA	0-100 kN (0-22,500 lbs)	5.43	7.87	2.13	1.57



A precision workpiece stop that mounts into either side of the vise body. Reposition swing arm on the shaft by loosening the socket-head cap screw. Can be used as a swing-away stop, with the rapid-locking handle.

Adjustable Side Stops

Part No.	Fits Jaw Width	a	b max	c max	d max
CLRH-3291-02-VSA	100mm and 125mm	M12	2.40	3.74	1.81
CLRH-3291-03-VSA				4.13	
CLRH-3291-04-VSA	160mm	M16	3.19	4.88	2.60



Set of four clamps with screws, for mounting one vise.

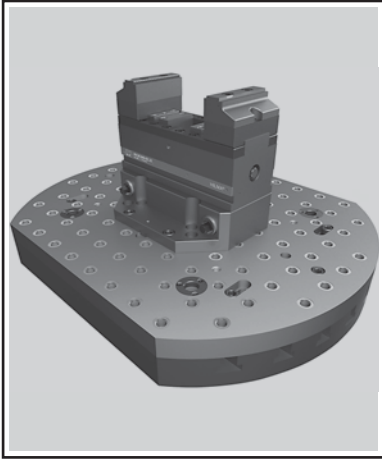
Vise Clamps

Part No.	Fits Jaw Width	h	Socket-Head cap screws (furnished)
CLRH-9-3777-2011-VSA	100mm	.94	M12x45mm long
CLRH-9-3777-3011-VSA	125mm and 160mm	1.06	M12x45mm long
CLRH-9-3777-3021-VSA			M16x50mm long



Carr Lane Roemheld Mfg. Co.

Sales — Phone (314) 647-6200 Fax (314) 647-5736
Engineering — Phone 1-800-827-2526 Web roemheld-usa.com



**Subplate Mounted
On a Rotary Table**

- **Designed specifically for 5-axis machining**
- **Also suitable for standard machining**
- **INFO+: Use in conjunction with the vises and jaws in the next few pages, as well as the subplates on pages 342-363**

DESCRIPTION: The CL5® quick-change, 5-Axis workholding system consists of three components: a subplate, a riser, and top tooling made up of a vise or a fixture plate. The subplate transforms a T-slot table into a modular fixturing plate, allowing flexible and easy clamping and locating of other tooling and/or fixtures. Designed to get the part up from the machine table, the Quintus quick-change riser allows 5-side part access. The Quintus combines the riser, quick-change capability and precise location in one piece.

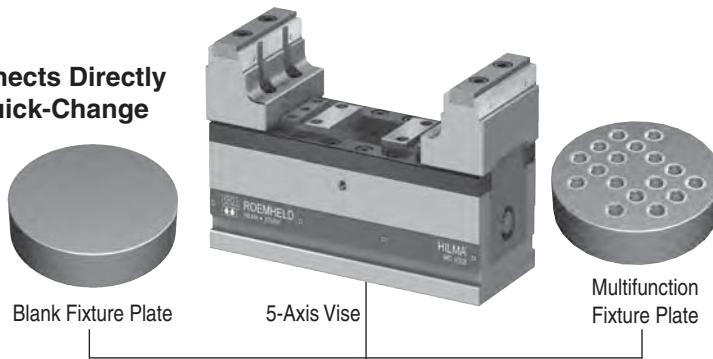
APPLICATIONS: The CL5® systems offers three primary methods of fixturing:

METHOD 1: Fixture Plate Mounted on a Rotary Table. This method is ideal for small rotary tables up to 210mm diameter. Fixture plates are accurately located and fastened directly to the rotary table.

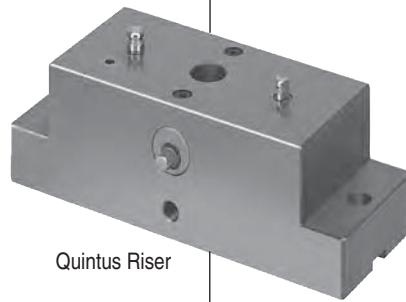
METHOD 2: Quintus Quick-Change Riser Mounted on Rotary Table. The method provides additional height for spindle clearance. It allows you to quickly and accurately mount directly on rotary tables 250mm diameter and larger.

METHOD 3: Subplate Mounted on Rotary Table. This method is appropriate for all machines. The Quintus riser is mounted on a subplate to allow quick exchange of the riser with other fixturing.

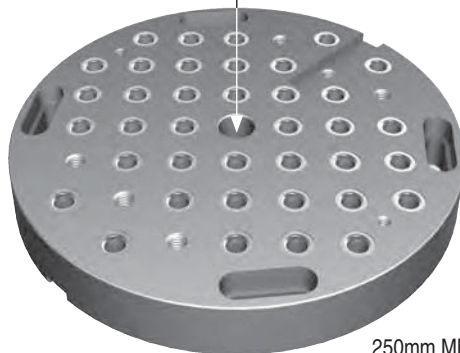
Top Tooling Connects Directly to the Quintus Quick-Change Riser



Quintus Quick-Change Riser Connects to Any Subplate, No Extra Adaptors Required



Use Subplate Alone or With Risers and Plates
INFO+: See Subplates pages 342-363



250mm MF Subplate

Subject to change. For further details, including detailed dimensions and mounting instructions, visit roemheld-usa.com.



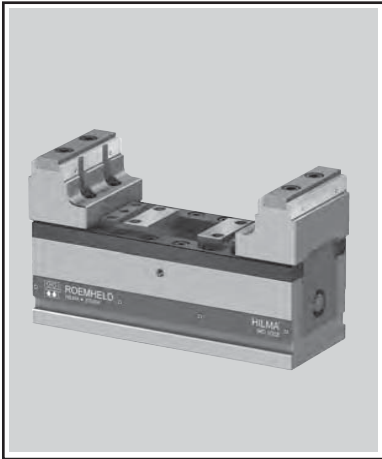
Carr Lane Roemheld Mfg. Co.

Sales — Phone (314) 647-6200 Fax (314) 647-5736

Engineering — Phone 1-800-827-2526 Web roemheld-usa.com

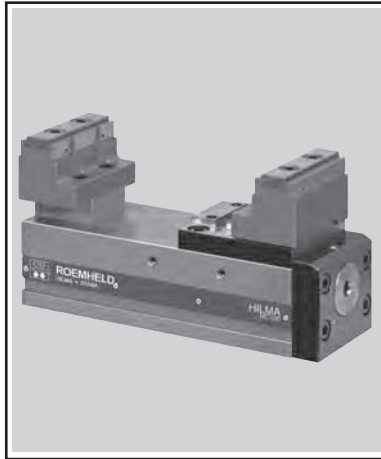
5-Axis Vise ■ Mechanical

Allows unrestricted tool access for 5-sided machining



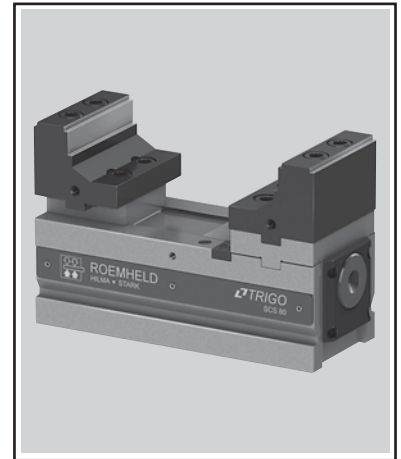
MC-Z Series Concentric Vise
INFO+: Pages 656-657

- Jaw Widths: 40, 60, 100 and 125mm
- Two moving jaws that provide exact centering of the workpiece



**MC Series Mechanical Vise
Fixed Jaw**
INFO+: Pages 656-657

- Jaw Widths: 40, 60, and 100mm
- Conventional vise style with one fixed and one moving jaw

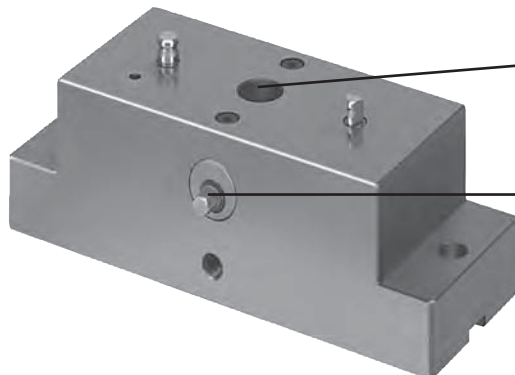


**SCS Series Mechanical Vise
Fixed Jaw**
INFO+: Pages 658

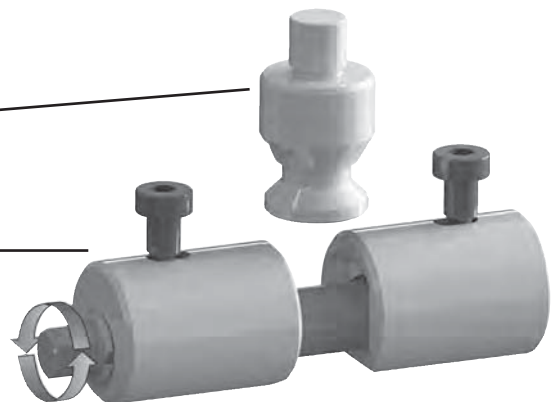
- Jaw Widths: 60 and 100mm
- Conventional vise style with one fixed and one moving jaw

Quintus Quick-Change Riser

INFO+: See page 659 for more details



Quintus Clamping Mechanism



Quintus Clamping Mechanism

Subject to change. For further details, including detailed dimensions and mounting instructions, visit roemheld-usa.com.

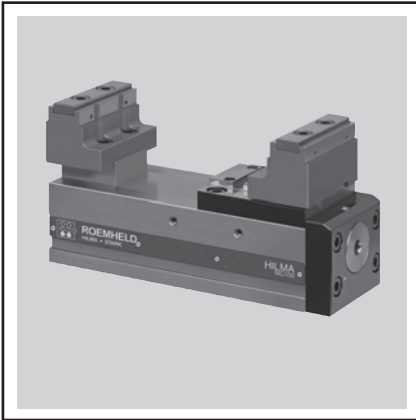


Carr Lane Roemheld Mfg. Co.

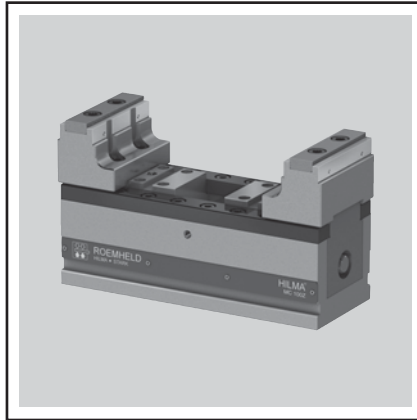
Sales — Phone (314) 647-6200 Fax (314) 647-5736
Engineering — Phone 1-800-827-2526 Web roemheld-usa.com

Mini Clamp Vises

3770 psi max
Mechanical and Hydraulic



MC Series
Manual or Hydraulic



MCZ Series
Manual (Concentric)

**INFO+: FOR 5-AXIS
MACHINING, USE WITH
CL5 SYSTEM, PAGES 342-363
AND 654-660!**

DESCRIPTION: MC-series Mini Clamp Vises are designed especially for multi-face machining with a single clamping operation. Unique design allows clear tool access to five-out-of-six workpiece sides. Ideal for machining complicated workpieces in a single clamping operation, such as in mold making. Mini-Clamp Vises are small, but have a large holding capacity. Finest-quality construction for excellent rigidity and durability.

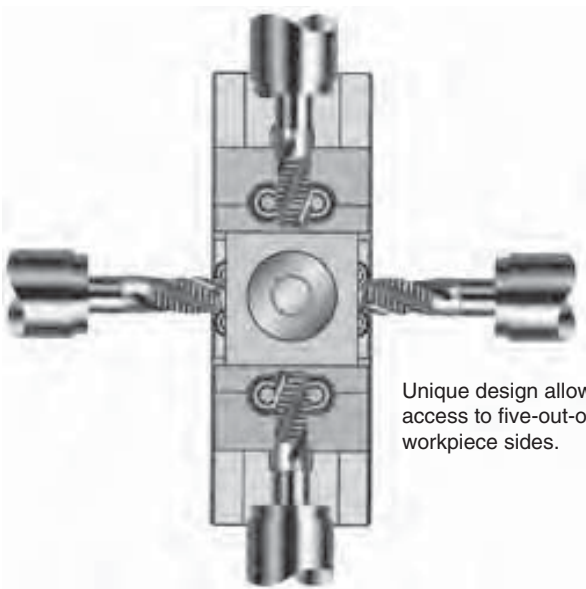
OPERATION OF MANUAL VERSION: Turn torque wrench clockwise to clamp, counterclockwise to unclamp.

OPERATION OF HYDRAULIC VERSION: During initial setup, adjust jaw opening to the workpiece using a socket wrench. When fluid pressure is applied by actuating the external power unit, the sliding jaw moves through its power stroke to apply full clamping force. Unclamping is by positive spring return.

MANUAL VERSION AVAILABLE IN ONE SIZE: 60mm jaw width and a maximum clamping force of 3370 Lbs.

CONCENTRIC VERSION AVAILABLE IN THREE SIZES: (Manual Operation only) Jaw widths of 60mm, 100mm, and 125mm. Clamping forces up to 7800 lbs for largest size.

ALSO AVAILABLE: the MCP vise, with a new design that simplifies custom lengths. Contact us for details.



Unique design allows clear tool access to five-out-of-six workpiece sides.



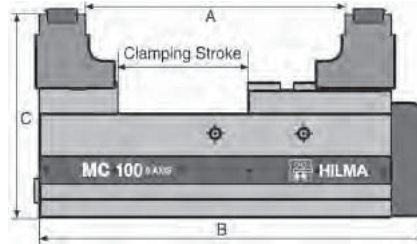
Carr Lane Roemheld Mfg. Co.

Sales — Phone (314) 647-6200 Fax (314) 647-5736
Engineering — Phone 1-800-827-2526 Web roemheld-usa.com

Mini Clamp Vises

3770 psi max
Mechanical and Hydraulic

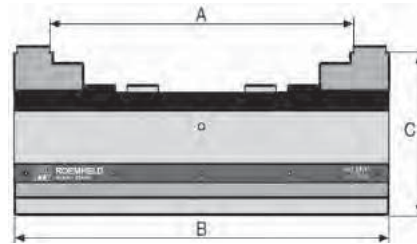
**INFO+: FOR 5-AXIS
MACHINING, USE WITH
CL5 SYSTEM, PAGES 342-363
AND 654-660!**



MC Series

Operation	Manual	Manual	Hydraulic	Manual
Jaw Width (mm)	MC 40	MC 60	MC 60H	MC 100
	40	60	60	100
Max. clamping force (lbs)	1800	3370	3370	5620
Max. torque required (ft-lbs) / Max. operating pressure (psi)	11 ft-lbs	19 ft-lbs	3771 psi	45 ft-lbs
Clamping stroke / Power stroke (mm)	30	44	44 / 4	96
A (mm-max)	79	150	150	204
B (mm)	110	187	204	285
C (mm)	64	88	88	154
Weight without jaws (lbs)	4	11	12.1	44
Part No., Vise	CLRH-9-3581-0102-VS	CLRH-9-3583-0112-VS	CLRH-9-3583-0212-VS	CLRH-9-3585-0113-VS

**ALSO AVAILABLE: the MCP
vise, with a new design that
simplifies custom lengths.
Contact us for details.**



MC-Z Series - Concentric

Operation	Manual	Manual	Manual	Manual
Jaw Width (mm)	MC 40Z	MC 60Z	MC 100Z	MC 125Z
	40	60	100	125
Max. clamping force (lbs)	1800	3370	5620	7870
Max. clamping torque required (ft-lbs)	17	37	59	148
Clamping stroke (mm)	20	30	73	75
A (mm-max)	79	91	204	400
B (mm)	110	170	260	465
C (mm)	64	88	154	160
Weight without jaws (lbs)	3.1	8.4	39.3	108
Part No., Vise	CLRH-9-3581-0302-VS	CLRH-9-3583-0301-VS	CLRH-9-3585-0303-VS	CLRH-9-3586-0304-VS

Vises shown with optional jaws sold separately. Mounting by clamping claws or threaded holes in the bottom of vise. Contact engineering for hole pattern.

Vise Accessories

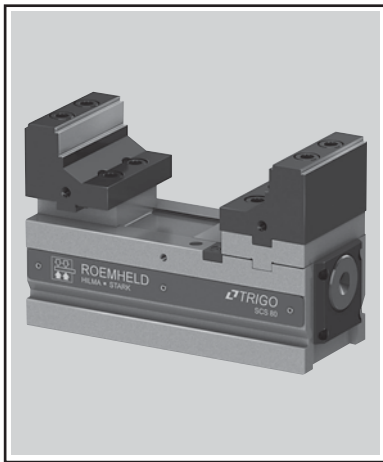
Accessory Type	Part No., MC 60 Series	Part No., MC 60 Z Series	Part No., MC 100 Z Series	Part No., MC 125 Z Series
Hardened Step Jaw, Fixed	CLRH-9-3583-6901-VSA	—	—	—
Hardened Step Jaw, Mobile	CLRH-9-3583-6901-VSA	CLRH-9-3583-6001-VSA	CLRH-9-3585-6901-VSA	CLRH-9-3586-6901-VSA
Machinable Soft Jaw, Fixed	CLRH-9-3583-6002-VSA	—	—	—
Machinable Soft Jaw, Mobile	CLRH-9-3583-6002-VSA	CLRH-9-3583-6902-VSA	CLRH-9-3585-6902-VSA	CLRH-9-3586-6902-VSA
Torque Wrench	CLRH-9-3583-7010-VSA	CLRH-9-3583-7010-VSA	CLRH-9-3792-6610-VSA	—
Clamping Claws (4 set) M10 Screws	CLRH-9-3583-7001-VSA	CLRH-9-3583-7001-VSA	—	—
Clamping Claws (4 set) M12 Screws	CLRH-9-3583-7002-VSA	CLRH-9-3583-7002-VSA	CLRH-9-3585-7001-VSA	—
Socket Nut	CLRH-1-3124-0104-VSA	CLRH-1-3124-0021-VSA	CLRH-1-3124-0020-VSA	—



Carr Lane Roemheld Mfg. Co.

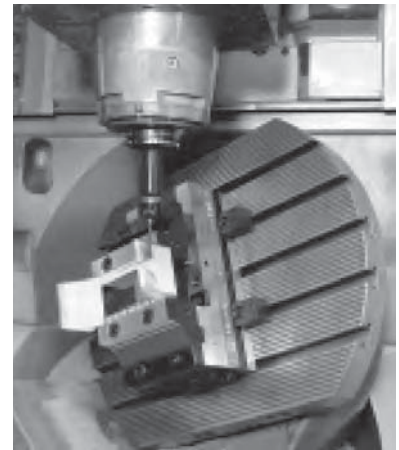
Sales — Phone (314) 647-6200 Fax (314) 647-5736
Engineering — Phone 1-800-827-2526 Web roemheld-usa.com

SCS Standard Vise ■ Mechanical Super Compact Clamp
Max. Clamping Force ■ 8990 lbs

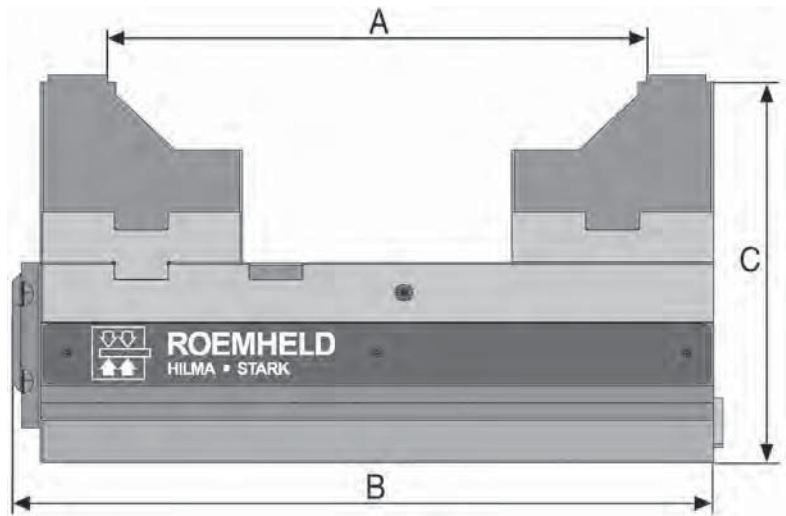
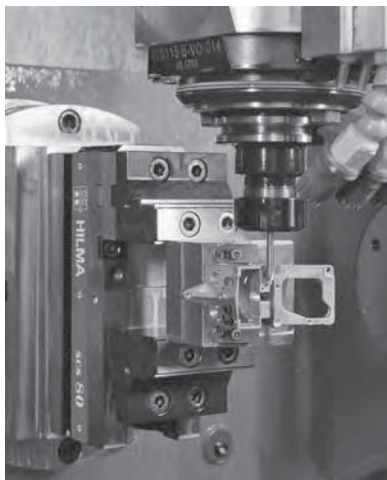


**SCS Series Mechanical Vise
Fixed Jaw**

- For multi-face machining with a single clamping operation
- Most economical choice for larger workpieces
- Jaw widths from 80mm to 120mm
- Conventional vise style with one fixed and one moving jaw
- Allows unrestricted tool access for multiple-side machining
- One-piece machined cast-iron base



Example of 5-axis machining



TYPE	PART NO.	CLAMPING FORCE (lb)	WEIGHT (lb)	JAW TRAVEL	mm		
					A	B	C
Part No., SCS 80M	CLRH-9-3672-0121-VS	5620	19	80	155	206	145
Part No., SCS 120M	CLRH-9-3673-0121-VS	8990	40	100	200	260	152

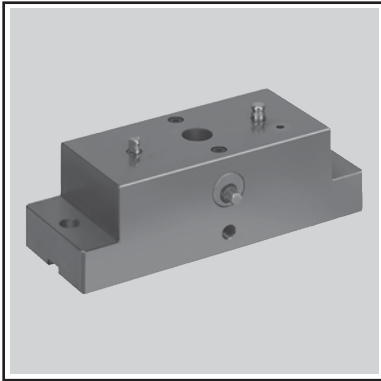
Subject to change. For further details, including detailed dimensions and mounting instructions, visit roemheld-usa.com.



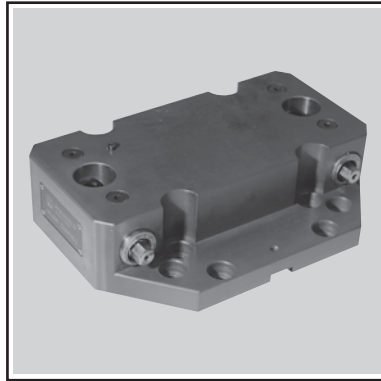
Carr Lane Roemheld Mfg. Co.

Sales — Phone (314) 647-6200 Fax (314) 647-5736
 Engineering — Phone 1-800-827-2526 Web roemheld-usa.com

Quintus Riser ■ Quick-Change Riser
 Max. Retention Force per Clamping Pin ■ 4500 lbs



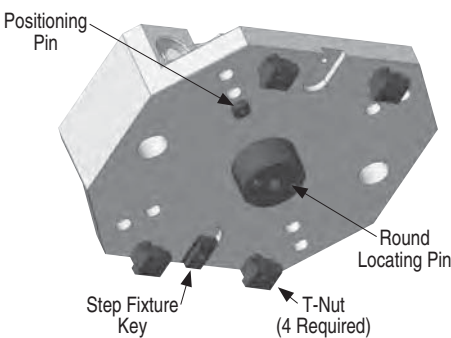
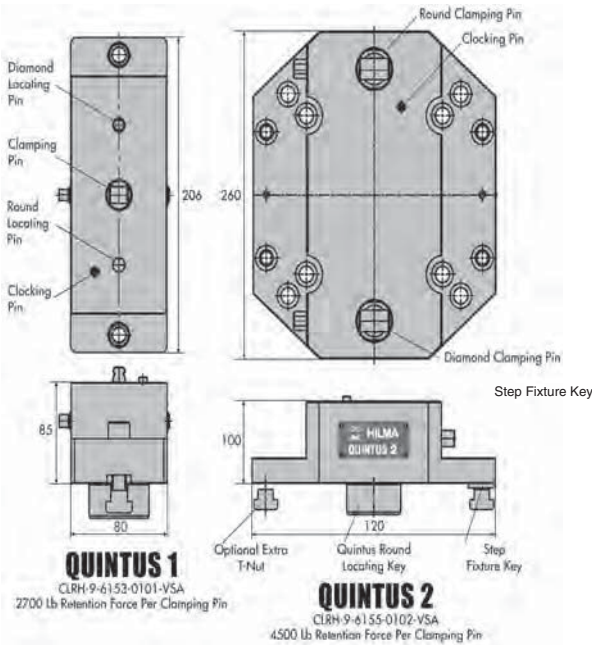
Quintus 1
 Quick Change Riser



Quintus 2
 Quick Change Riser

- Vises and fixture plates mount directly onto the Quintus Quick-Change Riser
- Two sizes
- Extremely accurate

The CL5® quick-change, 5-Axis workholding system consists of three components: a subplate, a riser, and top tooling made up of a vise or a fixture plate. The subplate transforms a T-slot table into a modular fixturing plate, allowing flexible and easy clamping and locating of other tooling and/or fixtures. Designed to get the part up from the machine table, the Quintus quick-change riser allows 5-side part access. The Quintus combines the riser, quick-change capability and precise location in one piece.



Bottom View of Quintus 2

Subject to change. For further details, including detailed dimensions and mounting instructions, visit roemheld-usa.com.



Round Locating Key
 for Quintus 1, 2, 3

PART NO.	Ømm	L1 / L2
CLRH-9-6153-5001-VSA	D 30 g6	15/38
CLRH-9-6153-5002-VSA	D 32 g6	15/38
CLRH-9-6153-5003-VSA	D 50 g6	25/48
CLRH-9-6153-5009-VSA	D 50 g6	18/41



Step Fixture Key
 CLM-6x16-SHCS screw required

PART NO.	FIXTURE SLOT	TABLE SLOT
CLRH-9-6153-5004-VSA	20mm	14mm
CL-20-SFK-16	20mm	16mm
CL-20-SFK-18	20mm	18mm
CLM-20-FK	20mm	20mm



Quintus Pin Sets

PART NO.	INCLUDES
CLRH-9-3920-0201-VSA	QUINTUS 1 - w/o Centering
CLRH-9-3920-0202-VSA	QUINTUS 2 - Round & Diamond Pin
CLRH-9-3920-0203-VSA	QUINTUS 3



Positioning Pin
 for Quintus 2. 1 piece

PART NO.	Ømm
CLRH-9-3920-0102-VSA	10/14 h6





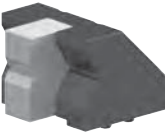




T-Nut
 with screw (set of 4)

PART NO.	T-SLOT (mm)
CLRH-9-6153-5005-VSA	14



INFO+: The jaws on this page are designed to be used with the 5-axis machining vises on pages 654-659.

Please add “CLRH-” before each part number, and -VSA at end.
 Example of part number format: CLRH-9-3XXX-XXXX-VSA

			MC40	MC40Z	MC60	MC60Z	SCS80	MC100	MC100Z	SCS120	MC125Z	
	Soft Jaw	Machinable soft jaw	Movable Jaw	9-3581-6902	9-3583-6902	9-3583-6902	9-3583-6902	9-3972-1201	9-3585-6902	9-3585-6902	9-3973-1201	9-3586-6902
			Fixed jaw	9-3581-6902		9-3583-6902		-	9-3585-6902		-	
			Aluminum	-	-	-	-	9-3972-1202	-	-	9-3973-1202	-
	Step Jaw	Reversible step jaw, 2 steps, hardened	Movable Jaw	9-3581-6901	9-3581-6901	9-3583-6901	9-3583-6901		9-3585-6901	9-3585-6901		9-3586-6911
			Fixed jaw	9-3581-6901	-	9-3583-6901	-	-	9-3585-6901	-	-	-
	Vee Jaw	Vee jaw with removable insert for increased part range	-	-	-	9-3583-6905	-	-	9-3585-6905	-	-	
	Step Jaw w/ Insert	Interchangeable standard insert, one side serrated, one side smooth- May be replaced with custom inserts	Wide			9-3583-6906	9-3583-6906		9-3585-6906	9-3585-6906		9-3586-6906
			Medium	-	-	9-3583-6907	9-3583-6907	-	9-3585-6907	9-3585-6907	-	9-3586-6907
			Narrow (pictured)			-	-		9-3585-6910	9-3585-6910		9-3586-6910
	Pendulum Jaw	With Insert, for compensating non-parallel clamping surfaces	-	-	-	-	-	-	9-3585-6904	-	9-3586-6904	
	Step Jaw Solid	Reversible step jaw, 2 steps, hardened, smooth grip edge	Narrow					9-3972-1001			9-3973-1001	
			Medium	-	-	-	-	9-3972-1002	-	-	9-3973-1002	-
			Wide					9-3972-1003			9-3973-1003	
	High Grip Jaw	Special grip reversible step jaw, hardened, serrated grip edge	Narrow					9-3972-1101			9-3973-1101	
			Medium	-	-	-	-	9-3972-1102	-	-	9-3973-1102	-
			Wide					9-3972-1103			9-3973-1103	

Subject to change. For further details, including detailed dimensions and mounting instructions, visit roemheld-usa.com.



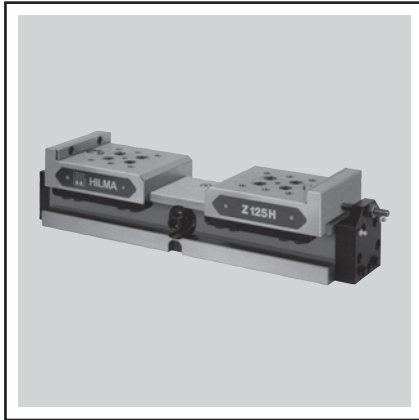
Carr Lane Roemheld Mfg. Co.

Sales — Phone (314) 647-6200 Fax (314) 647-5736

Engineering — Phone 1-800-827-2526 Web roemheld-usa.com

Concentric Vises

2175 psi max clamp
290 psi max unclamp



Hydraulic Concentric

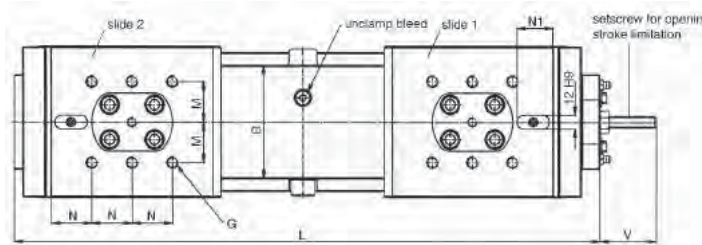
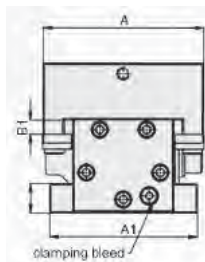
- High clamping repeatability ± 0.01 mm
- Constant length and large clamping ranges
- Any mounting position
- Possibilities for positioning and fastening customer-specific jaws
- Protection against coolant and swarf by integral wipers in the clamping slides
- Large stroke of the slide
- Limitation of the opening stroke by an adjustable set screw
- An additional pilot-controlled check valve can be fitted to the 'clamping' port

DESCRIPTION: Self-centering vises position and clamp workpieces exactly on a defined symmetrical axis, taking account of their contours.

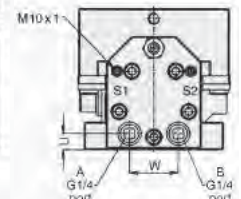
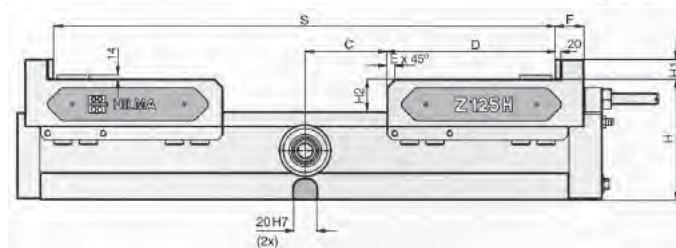
They may be used in machining centers, on machine tools and final processing machines as well as in special jigs and fixtures.

Hydraulic clamping and unclamping is powered by an external pressure transmitter with a double-acting circuit.

The adjustable synchronizing device ensures high centering precision.



Connections:
Port A - clamping
Port B - unclamping
S1 - oil lubrication slide 1
S2 - oil lubrication slide 2



Includes:

- Fitting key, positioning and mounting holes for standard and special jaws
- Keyway across the length for positioning
- Clamping edge for claws
- Lubrication nipples and connections, respectively, for central lubrication.
- Oil ports 1/4 BSPP, A - clamping, B - unclamping

INSTALLATION (EXAMPLE) For hydraulic oil supply, pump units working intermittently are preferred. In the clamped position, the directional valves are idle, and the operating pressure is maintained by an integral check valve.

Two pressure switches (pump control and machine safety) monitor the adjusted operating pressure.

Clamping and unclamping can be controlled by hand-operated valves, by selector or foot-operated switch or, fully automatic, by signals.

Do not exceed 300 psi on unclamp circuit. Recommended power unit CLR-886-EP.

Jaw Width (A)	100mm 3.937"	125mm 4.921"	160mm 6.299"
Max. clamping force (lbs)	3595	5620	8990
Power stroke/slide (in.)	0.87	1.38	1.77
Max. operating pressure (psi)	2175/290	2175/290	2175/290
Fluid required (cu.in.)	3.7	8.4	17
A	3.937	4.921	6.299
A1	3.937	4.724	5.59
B	2.91	3.86	7.8
B1	0.39	0.51	0.59
C	1.69	2.8	2.95
D	4.53	5.79	7.28
E	0.28	0.28	0.39
F	0.98	0.98	1.18
G	M8x12	M10x15	M12x18
H	3.74	4.13	4.92
H1	0.63	0.67	0.79
H1	1.02	1.1	1.34
L	15.35	19.69	23.62
M	1.18	1.38	1.57
N	0.98	1.38	1.97
N1	0.98	1.26	1.26
S	12.44	17.17	20.47
U	0.51	0.55	0.63
V	1.30	1.93	2.36
W	1.42	1.65	1.81
Weight (lbs)	49	86	150
Part No.	CLRH-9-3542-0101-VS	CLRH-9-3543-0101-VS	CLRH-9-3544-0101-VS
Part No. with Proximity Switches	CLRH-9-3542-0201-VS	CLRH-9-3543-0201-VS	CLRH-9-3544-0201-VS

Subject to change. For further details, including detailed dimensions and mounting instructions, visit roemheld-usa.com.



Carr Lane Roemheld Mfg. Co.

Sales — Phone (314) 647-6200 Fax (314) 647-5736

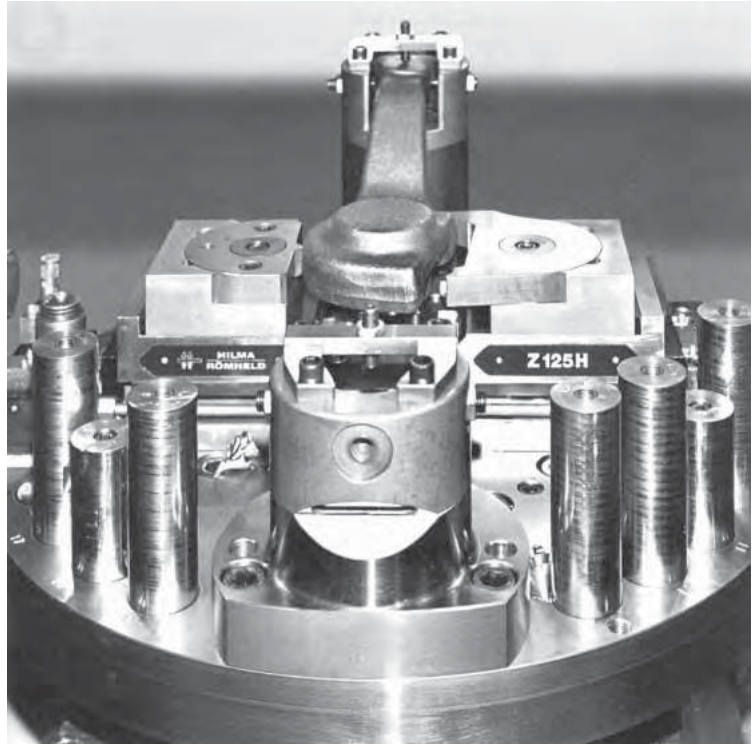
Engineering — Phone 1-800-827-2526 Web roemheld-usa.com

Concentric Vises

2175 psi max to clamp
290 psi max to unclamp

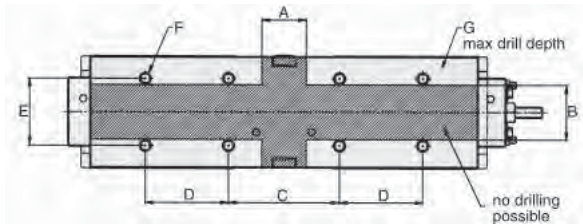


Jaws Quoted
Upon Request.



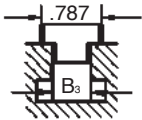
Self-centering vise, hydraulically operated

Drill template for customized fastening



Type	A	B	C	D	E	F	G
Z 100 H	1.58	1.93	3.94	2.95	2.36	M10x15	.78
Z 125 H	1.78	2.17	6.46	3.27	2.68	M12x20	.86
Z 160 H	2.17	2.37	6.30	4.72	3.15	M12x20	.86

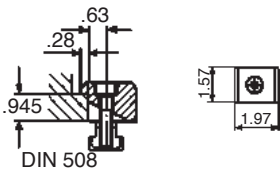
Accessories



Set of tenon blocks
DIN 6323

Part No.	Slot in the machine bed
CLRH-3917-4121-VSA	14h6 (B3)
CLRH-3917-4141-VSA	18h6 (B3)

1 set = 2 blocks



Set of clamping claws with
screws M12x45

Part No.	For safe clamping on the machine bed
CLRH-3777-2011-VSA	1 set = 4 claws



Carr Lane Roemheld Mfg. Co.

Sales — Phone (314) 647-6200 Fax (314) 647-5736
Engineering — Phone 1-800-827-2526 Web roemheld-usa.com

INNOVATIVE CLAMPING SOLUTIONS

Power Workholding For CNC Machining

The highest quality power workholding systems to help you remain competitive in today's manufacturing environment.



Swing Clamps

Work Supports



Power Sources

Compact Clamps and Cylinders



Zero Point Mounting



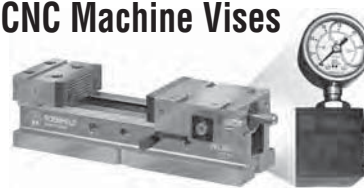
Valves, Fittings & Accessories



Concentric Clamping Elements

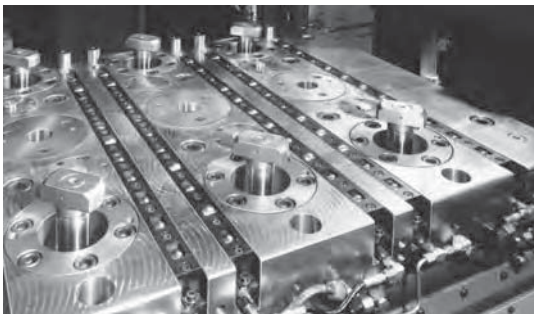


CNC Machine Vises

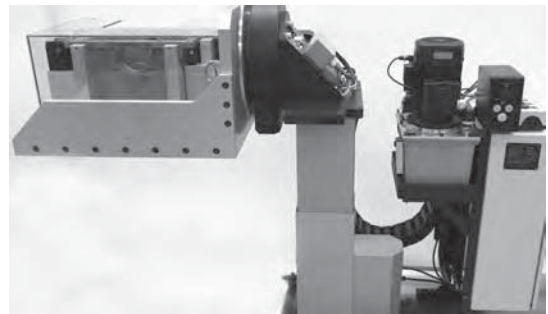


5-Axis Quick-Change Vises

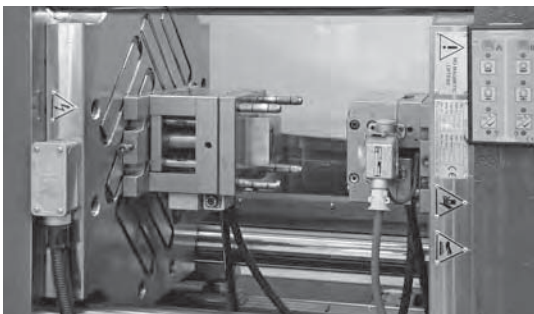
For More Information On Our Supporting Product Lines, Visit carrlaneroemheld.com.



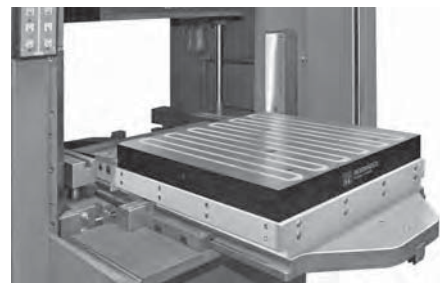
Quick Die Change



Assembly & Handling Technology



Quick Mold Change for Plastics



Quick Mold Change for Rubber

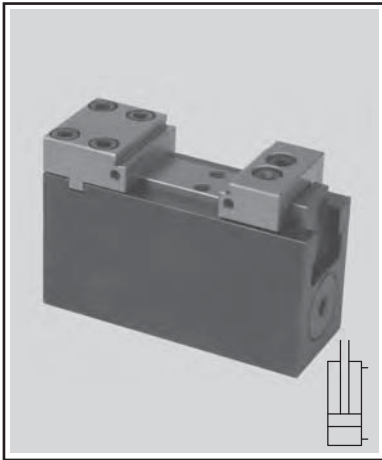


Carr Lane Roemheld Mfg. Co.

Sales — Phone (314) 647-6200 Fax (314) 647-5736
Engineering — Phone 1-800-827-2526 Web roemheld-usa.com

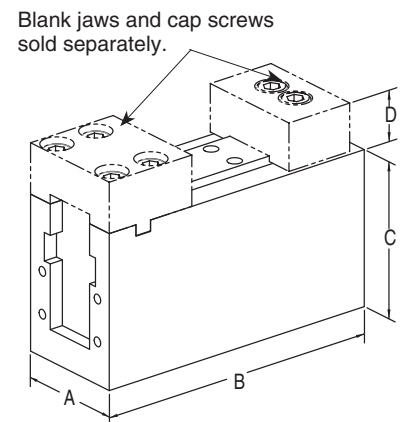
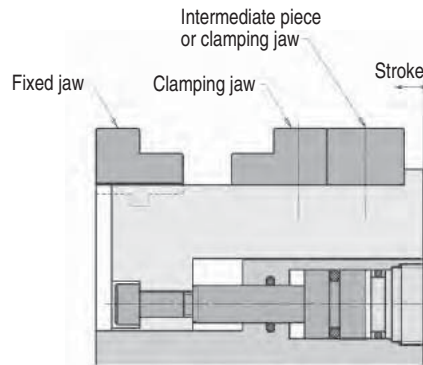
Vises ■ Fixture Clamps ■ I4.110 & I4.111

Fixture Clamps with Fixed Jaw ■ Compact vise with jaw widths 1.57" and 2.56" Double Acting ■ Max. Operating Pressure ■ 3625 psi (250 bar)

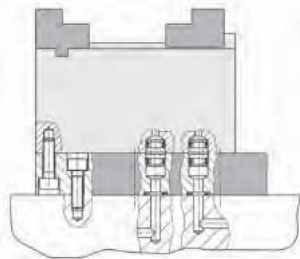


The fixed jaw fixture clamp consists of a very compact body with an integrated hydraulic cylinder that actuates the movable jaw. All threads and ports are at the bottom which allows for a very tight and space savings arrangement. If fastening from the bottom is not possible an adaptor plate for manifold

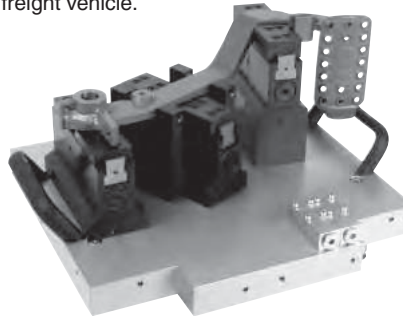
mounting or tube connection is available. Accessory blank jaws are also available that can be milled to match the workpiece contour. The fixed jaw can be equipped with a pneumatic seat control which is well suited for automation applications.



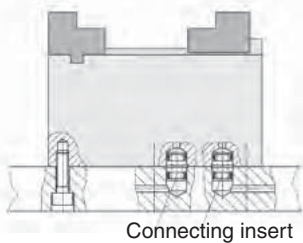
Fixing from above
with accessory adaptor plate
Drilled channels



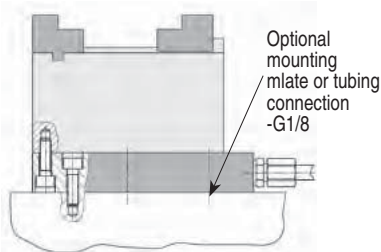
Application example
Clamping fixture for a pedal of a freight vehicle.



Fixing from below
Drilled channels



Fitting connection



Jaw Width (in.)	1.57		2.56		
Stroke (in.)	0.20	1.18	0.20	1.77	
Clamp Force (lbs)	3625 psi	2135	2135	3370	3370
	2000 psi	1180	1180	1860	1860
	1000 psi	600	600	930	930
A (in.)	1.57	1.57	2.56	2.56	
B (in.)	4.13	6.10	6.30	9.45	
C (in.)	2.17	2.17	2.56	2.56	
D (in.)	0.71	0.71	1.06	1.06	
Weight (lbs.)	3.66	4.94	11.13	15.43	
Part No.	CLR-4413-001	CLR-4413-031	CLR-4413-101	CLR-4413-131	

Accessories

Part No., Adapter Mounting Plate	CLR-0441-300	CLR-0441-303	CLR-0441-310	CLR-0441-313
Part No., Blank Clamping Jaw	CLR-3548-070	CLR-3548-070	CLR-3548-080	CLR-3548-080
Part No., Blank Fixed Jaw	CLR-3548-071	CLR-3548-071	CLR-3548-081	CLR-3548-081
Part No., Jaw Screws	CLR-3301-107	CLR-3301-107	CLR-3300-700	CLR-3300-700

Subject to change. For further details, including detailed dimensions and mounting instructions, visit roemheld-usa.com.

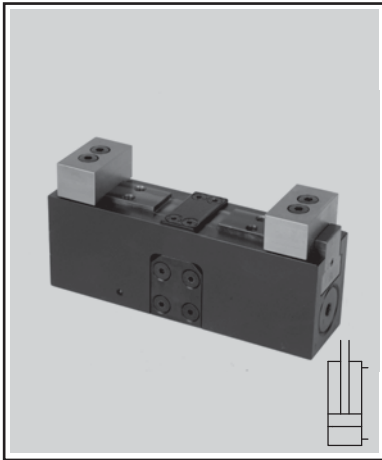


Carr Lane Roemheld Mfg. Co.

Sales — Phone (314) 647-6200 Fax (314) 647-5736
Engineering — Phone 1-800-827-2526 Web roemheld-usa.com

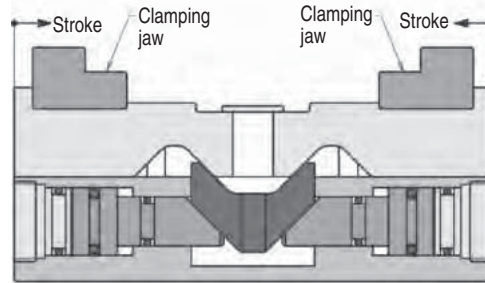
Vises ■ Fixture Clamps ■ I4.120

Fixture Clamps, Concentric ■ Compact vise with jaw widths 1.57" and 2.56" Double Acting ■ Max. Operating Pressure ■ 3625 psi (250 bar)

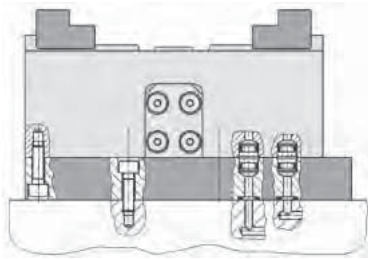


The concentric fixture clamp consists of a very compact body with two integrated hydraulic cylinders that actuate the movable jaws. The piston forces are transferred to a "V" linkage (see cut away below). The "V" linkage then pulls the jaws together in a self-centering fashion. All threads and ports are at the bottom

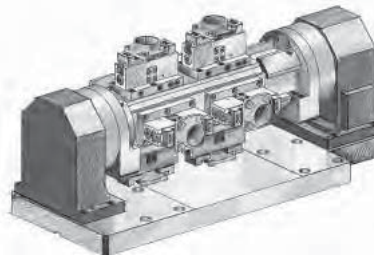
which allows for a very tight and space savings arrangement. If fastening from the bottom is not possible an adaptor plate for manifold mounting or tube connection is available. Accessory blank jaws are also available that can be milled to match the workpiece contour.



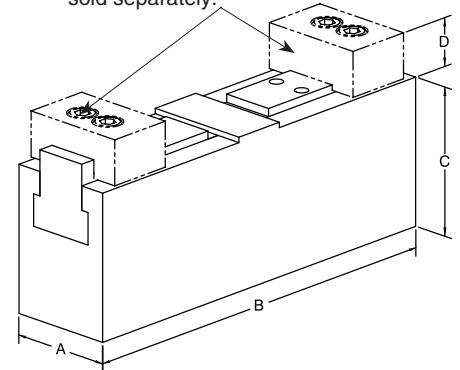
Fixing from above
with accessory adaptor plate
Drilled channels



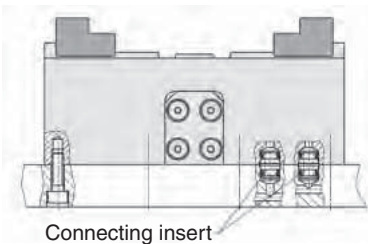
Application example
Clamping fixture for a pedal of a freight vehicle.



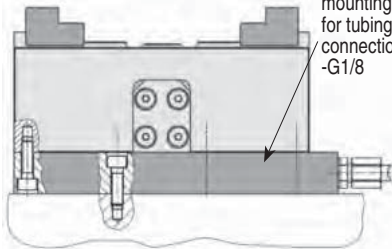
Blank jaws and cap screws sold separately.



Fixing from below
Drilled channels



Fitting connection



Jaw Width (in.)	1.57	2.56	
Stroke per Jaw (in.)	0.20	0.31	
Repeatability +/-	0.0008	0.0008	
Clamp Force per Jaw (lbs)	3625 psi	1460	2025
	2000 psi	805	1115
	1000 psi	405	560
A (in.)	1.57	2.56	
B (in.)	6.10	7.87	
C (in.)	2.17	2.56	
D (in.)	0.71	1.10	
Weight (lbs.)	5.29	13.23	
Part No.	CLR-4413-051	CLR-4413-151	

Accessories

Part No., Adapter Mounting Plate	CLR-0441-305	CLR-0441-315
Part No., Blank Clamping Jaw	CLR-3548-070	CLR-3548-080
Part No., Jaw Screws	CLR-3301-107	CLR-3300-625

Subject to change. For further details, including detailed dimensions and mounting instructions, visit roemheld-usa.com.

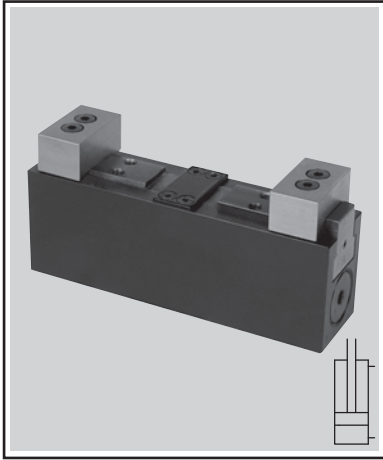


Carr Lane Roemheld Mfg. Co.

Sales — Phone (314) 647-6200 Fax (314) 647-5736
Engineering — Phone 1-800-827-2526 Web roemheld-usa.com

Vises ■ Fixture Clamps ■ I4.130

Fixture Clamps, Position Flexible ■ Compact vise with jaw width 1.57" Double Acting ■ Max. Operating Pressure ■ 3625 psi (250 bar)

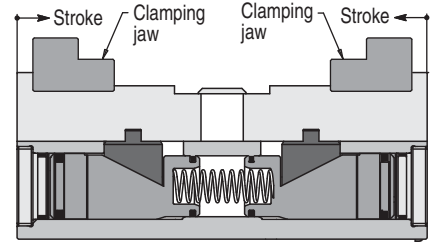
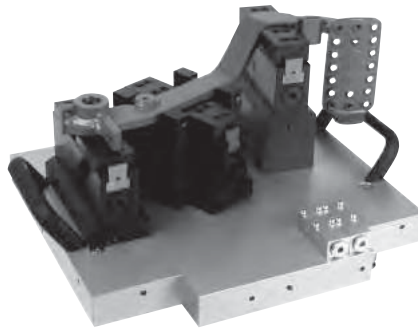


The position flexible fixture clamp consists of a very compact body with integrated hydraulic cylinders that actuate the movable jaws. The piston forces are transmitted via two channels to the clamping slides. The design allows the clamping slides to move independently of each. A minimal contact force is applied to the part until both jaws are in contact with the workpiece. At that point the pressure builds

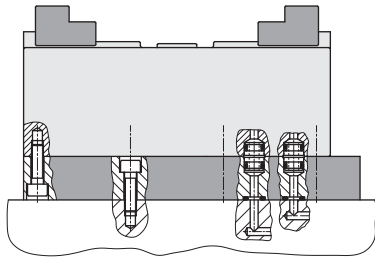
along with the clamping force. All threads and ports are at the bottom which allows for a very tight and space saving arrangement. If fastening from the bottom is not possible an adaptor plate for manifold mounting or tube connection is available. Accessory blank jaws are also available that can be milled to match the workpiece contour.

Application example

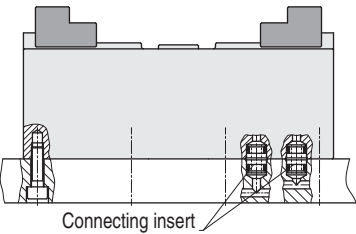
Clamping fixture for a pedal of a freight vehicle.



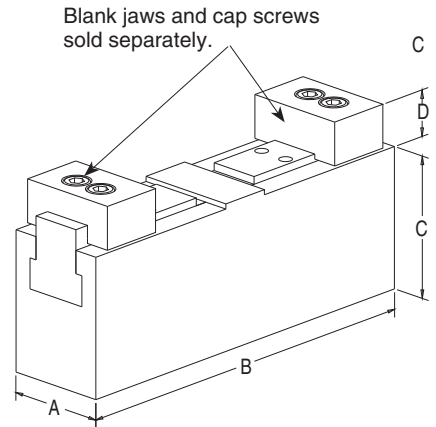
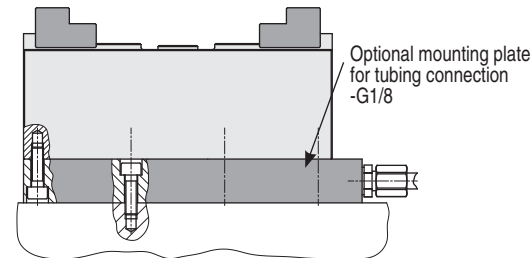
Fixing from above with accessory adaptor plate Drilled channels



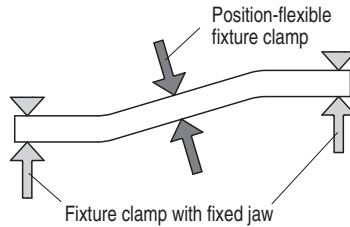
Fixing from below Drilled channels



Pipe thread



Clamping principle



Jaw Width (in.)	1.57	
Stroke per Jaw (in.)	0.31	
Clamp Force per Jaw (lbs)	3625 psi	1800
	2000 psi	990
	1000 psi	495
A (in.)	1.57	
B (in.)	6.10	
C (in.)	2.17	
D (in.)	0.71	
Weight (lbs.)	5.51	
Part No.	CLR-4413-080	

Accessories

Part No., Adapter Mounting Plate	CLR-0441-305
Part No., Blank Clamping Jaw	CLR-3548-070
Part No., Jaw Screws	CLR-3301-107

Subject to change. For further details, including detailed dimensions and mounting instructions, visit roemheld-usa.com.

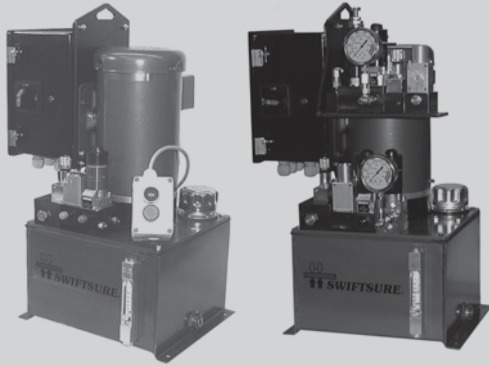


Carr Lane Roemheld Mfg. Co.

Sales — Phone (314) 647-6200 Fax (314) 647-5736

Engineering — Phone 1-800-827-2526 Web roemheld-usa.com

Power Sources



Electric Power Units
pages 669-672

Electric Power Units

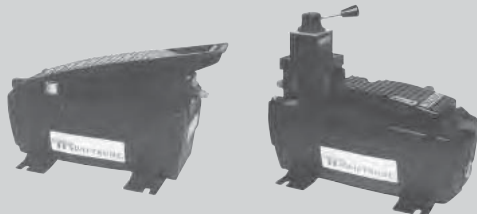
Electric Power Units are the best power source for most uses. Complete, compact, quiet, and fully automatic. Include pump, reservoir, switches, valves, gauge, and numerous safety devices. Extremely long life. Enough fluid capacity for virtually any fixture. Up to 7250 psi output pressures. 120, 220, or 440 volt.



Air Power Units
pages 673-674

Air Power Units

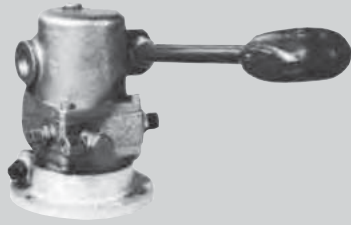
Economical power source, driven by shop air pressure, includes pump, reservoir, valves, gauges, air filter, muffler, and air extractor/dryer. Very quiet. Ideal for hazardous locations. Enough fluid capacity for virtually any fixture. Up to 7250 psi output pressure.



Compact Air Power Units
page 675

Compact Air Power Units are ideal for smaller hydraulic clamping and assembly fixtures with single or double-acting hydraulic elements. Ordinary shop air is all that is required to drive these units.

Power Sources



Single Stage Pump
pages 676

Hand Pumps

Manual power source for moderate-size factors. Compact and portable. Ideal for sensitive test fixtures. Choice of hand or foot operation.



Screw Pumps
pages 677

Screw Pumps

Small enough to mount directly on fixture. Operate manually or with a power torque wrench. Ideal for rotary index tables and palletized fixtures where a feed line is impractical.



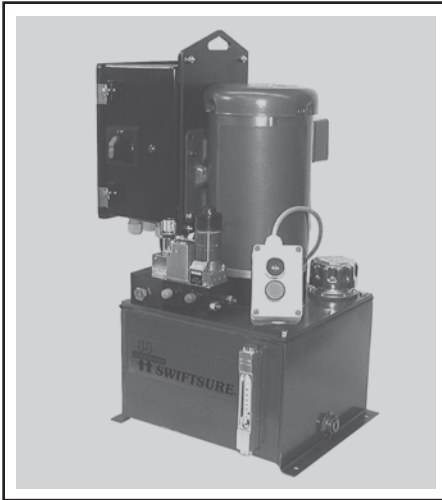
Compact Hydraulic Intensifier
pages 678-679

Hydraulic Intensifiers

Hydraulic Intensifiers convert hydraulic pressure on the input to a higher pressure on the output. This compact cylinder style intensifier enables the use of the comparatively low pressure of machine tool hydraulics to pressurize hydraulic clamping fixtures with a correspondingly increased input pressure.

Electric Power Units

7250/5000 psi max
Single and double acting

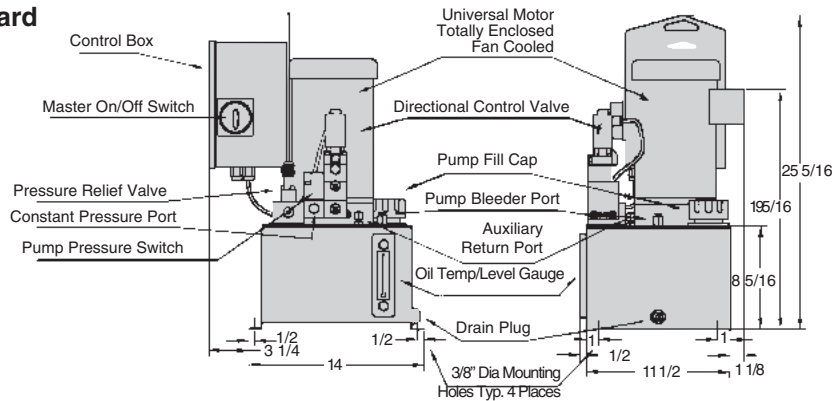


Standard

- Complete power unit with electrical and hydraulic controls
- Totally enclosed fan cooled single and three phase universal motors
- Thermal overload relay with automatic reset when normal conditions return
- Remote clamp-unclamp push button switch(s)
- Pressure adjustable from 1500 to maximum
- Quiet long life radial piston pump
- Filler breather with inlet screen
- Leak free fittings and poppet valves

SETUP AND OPERATION: Connect to fused electrical supply, fill with clean, approved hydraulic fluid and connect to fixture. Mount push button clamping switch near the operator (two furnished with shuttle machine units). Push one button to clamp and unclamp.

OPERATING PRINCIPLES: The heart of the unit is a precision, long-life radial-piston pump controlled upon pressure demand by the integral pressure switch. This switch is adjustable, to give you precise and repeatable clamping forces. Automatic pressure control is assured, because the pump restarts if pressure drops. Clamping pressure is assured even with an electrical power failure since the solenoid valves are mechanically held in the clamped position - and only need power to unclamp. The poppet design of these valves means positive, leakage-free sealing.



Adjustable Operating Pressure	1160-7250		725-5075		725-5075	
	460 volts 3 Phase 60Hz	230 volts 3 Phase 60Hz	230 volts 1 Phase 60Hz	115 volts 1 Phase 60Hz	460 volts 3 Phase 60Hz	230 volts 3 Phase 60Hz
Flow rate (cu.in./min)	66	66	66	66	106	106
Usable fluid capacity (cu.in)	400	400	400	400	400	400
Reservoir capacity (cu.in.)	690	690	690	690	690	690
Motor horsepower	1.5	1.5	1.0	1.0	1.5	1.5
Motor amperage	2.1	4.2	6.4	12.8	2.1	4.2
Noise level @ 3 ft.(dBA)	75	75	75	75	75	75
Max. uninterrupted running time (sec.)	15-120	15-120	15-120	15-120	15-120	15-120
Max. % of cycle pump should operate	25-40%	25-40%	25-40%	25-40%	25-40%	25-40%
Weight (lbs.)	110	110	110	110	110	110
Part No. Basic Pump (No Controls or Valves)	CLR-9301-EP	CLR-8301-EP	CLR-93011-EP	CLR-83011-EP	CLR-9302-EP	CLR-8302-EP
Part No. Single Acting System	CLR-931-EP	CLR-831-EP	CLR-9321-EP	CLR-8321-EP	CLR-932-EP	CLR-832-EP
Part No. Double Acting System	CLR-933-EP	CLR-833-EP	CLR-9341-EP	CLR-8341-EP	CLR-934-EP	CLR-834-EP
2 Independent S/A systems (shuttle machining)	CLR-935-EP	CLR-835-EP	CLR-9361-EP	CLR-8361-EP	CLR-936-EP	CLR-836-EP
2 Independent D/A systems (shuttle machining)	CLR-937-EP	CLR-837-EP	CLR-9381-EP	CLR-8381-EP	CLR-938-EP	CLR-838-EP
Manual Decoupling System Double Acting	CLR-939-EP	CLR-839-EP	CLR-9401-EP	CLR-8401-EP	CLR-940-EP	CLR-840-EP
Auto Decoupling System S/A Customer control	CLR-941-EP	CLR-841-EP	CLR-9421-EP	CLR-8421-EP	CLR-942-EP	CLR-842-EP
Auto Decoupling System D/A Customer control	CLR-943-EP	CLR-843-EP	CLR-9441-EP	CLR-8441-EP	CLR-944-EP	CLR-844-EP

All Pump Systems contain Controls and Valve packages ready to go. No add on packages required. Fluid Recommendations are in F&A section. SPECIALS AVAILABLE, CONSULT ENGINEERING 1-800-827-2526

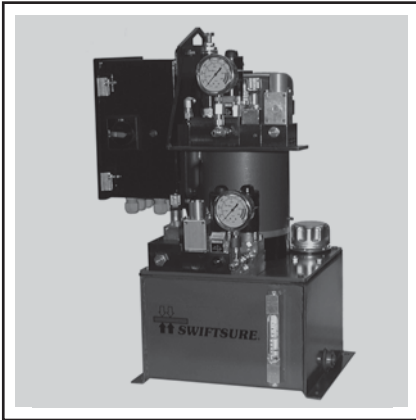


Carr Lane Roemheld Mfg. Co.

Sales — Phone (314) 647-6200 Fax (314) 647-5736
Engineering — Phone 1-800-827-2526 Web roemheld-usa.com

Electric Power Units

7250/5000 psi max
Multi-Pressure in single and double acting

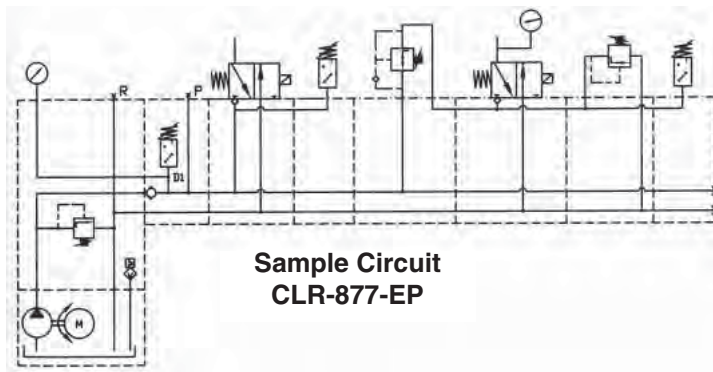


Multi-Pressure Pumps

- Complete power unit with electrical and hydraulic controls
- Enclosed fan-cooled single or three phase motor with thermal protection
- Combination temperature/ level switch for pump protection
- Remote clamp-unclamp push button switch(es)
- Pressure adjustable from minimum to maximum as shown in pump chart
- Quiet long life radial piston pump
- Filler breather with inlet screen
- Leak free fittings and poppet valves
- Additional pressure gauges provided for reduced pressure circuits

SET-UP SUMMARY: Connect to fused electrical supply, fill with oil, and connect to fixture. Prime pump and adjust to desired pressure. Mount push button switch(es) near the operator. Push one button to clamp and unclamp. For complete set-up instructions, see operating manual.

OPERATING PRINCIPLES: The heart of the unit is a precision, long-life radial-piston pump controlled upon pressure demand by the integral pressure switch. This switch is adjustable, to give you precise and repeatable clamping forces. The secondary pressure is controlled by a poppet style pressure reducing valve. This secondary low pressure circuit is adjustable between 450 and 5500 psi. Automatic pressure control is assured, because the pump restarts if pressure drops. Clamping pressure is assured even with an electrical power failure since the solenoid valves are mechanically held in the clamped position - and only need power to unclamp. The poppet design of these valves means positive, leakage-free sealing.



**Sample Circuit
CLR-877-EP**

Adjustable Operating Pressure	1160-7250 psi		725-5075 psi		725-5075 psi	
Power supply	460 volts 3 Phase 60Hz	230 volts 3 Phase 60Hz	230 volts 1 Phase 60Hz	115 volts 1 Phase 60Hz	460 volts 3 Phase 60Hz	230 volts 3 Phase 60Hz
Flow rate (cu.in./min.)	66	66	66	66	106	106
Usable fluid capacity (cu.in.)	400	400	400	400	400	400
Reservoir capacity (cu.in.)	690	690	690	690	690	690
Motor horsepower	1.5	1.5	1.0	1.0	1.5	1.5
Motor amperage	2.1	4.2	6.4	12.8	2.1	4.2
Nose level @ 3ft.(dBA)	75	75	75	75	75	75
Max. uninterrupted running time (sec.)	15-120	15-120	15-120	15-120	15-120	15-120
Max. % of cycle pump should operate	25-40%	25-40%	25-40%	25-40%	25-40%	25-40%
Two S/A Circuits, One Reduced W/One Pendant	CLR-951-EP	CLR-851-EP	CLR-9521-EP	CLR-8521-EP	CLR-952-EP	CLR-852-EP
Two D/A Circuits, One Reduced W/One Pendant	CLR-953-EP	CLR-853-EP	CLR-9541-EP	CLR-8541-EP	CLR-954-EP	CLR-854-EP
Two S/A Circuits, One Reduced W/Two Pendants	CLR-955-EP	CLR-855-EP	CLR-9561-EP	CLR-8561-EP	CLR-956-EP	CLR-856-EP
Two D/A Circuits, One Reduced W/Two Pendants	CLR-957-EP	CLR-857-EP	CLR-9581-EP	CLR-8581-EP	CLR-958-EP	CLR-858-EP
Two S/A Circuits, One Reduced W/One Pendant & Two Pressure Switches	CLR-959-EP	CLR-859-EP	CLR-9601-EP	CLR-8601-EP	CLR-960-EP	CLR-860-EP
Two D/A Circuits, One Reduced W/One Pendant & Two Pressure Switches	CLR-971-EP	CLR-871-EP	CLR-9721-EP	CLR-8721-EP	CLR-972-EP	CLR-872-EP
Two S/A Circuits, One Reduced W/Two Pendants & Two Pressure Switches	CLR-973-EP	CLR-873-EP	CLR-9741-EP	CLR-8741-EP	CLR-974-EP	CLR-874-EP
Two D/A Circuits, One Reduced W/Two Pendants & Two Pressure Switches	CLR-975-EP	CLR-875-EP	CLR-9761-EP	CLR-8761-EP	CLR-976-EP	CLR-876-EP
Two S/A Circuits, One Reduced W/One Pendant, Two Pressure Switches & One Pressure Relief Valve	CLR-977-EP	CLR-877-EP	CLR-9781-EP	CLR-8781-EP	CLR-978-EP	CLR-878-EP
Two D/A Circuits, One Reduced W/One Pendant, Two Pressure Switches & One Pressure Relief Valve	CLR-979-EP	CLR-879-EP	CLR-9801-EP	CLR-8801-EP	CLR-980-EP	CLR-880-EP
Two S/A Circuits, One Reduced W/Two Pendants, Two Pressure Switches & One Pressure Relief Valve	CLR-981-EP	CLR-881-EP	CLR-9821-EP	CLR-8821-EP	CLR-982-EP	CLR-882-EP
Two D/A Circuits, One Reduced W/Two Pendants, Two Pressure Switches & One Pressure Relief Valve	CLR-983-EP	CLR-883-EP	CLR-9841-EP	CLR-8841-EP	CLR-984-EP	CLR-884-EP



Carr Lane Roemheld Mfg. Co.

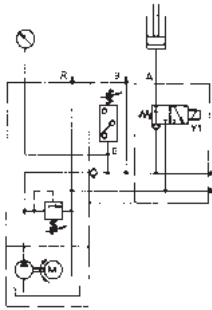
Sales — Phone (314) 647-6200 Fax (314) 647-5736
Engineering — Phone 1-800-827-2526 Web roemheld-usa.com

Electric Power Units

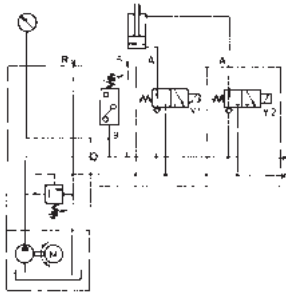
7250/5000 psi max
Single and double acting

CONTROL OPTIONS: Electric Power Units are offered with three standard hydraulic/electrical-control options: (1) Single acting, (2) Double acting, (3) Single acting for two independent fixtures.

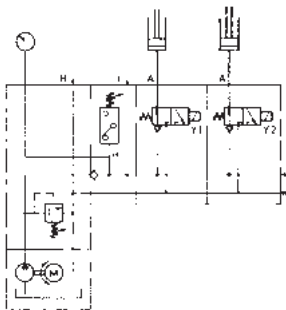
The following hydraulic-circuit diagram shows a single-acting unit.



The diagram below shows a double-acting unit. Double-acting units can be used as single acting units simply by capping the return pressure connection, with a CLR-501-F cap fitting.

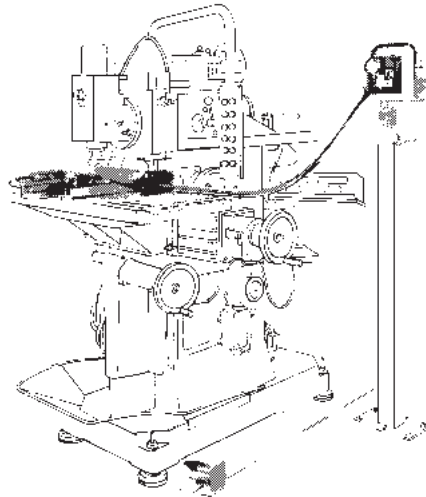


The third diagram shows a single-acting unit for two independent fixtures (shuttle machining). These units have separate clamping switches and valves for each fixture.

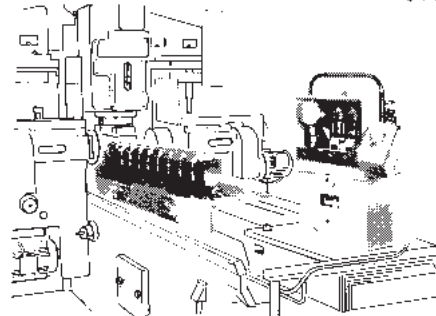
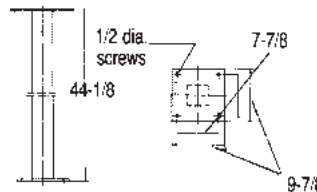


SAFETY FEATURES: Fail-safe operation in case of electrical-power failure since the solenoid-operated clamping valves are de-energized in "clamped" position. These valves are poppet type, so they provide tight zero leakage sealing. Units are also equipped with fluid-level and fluid-temperature sensors to protect power units from abuse. If fluid level drops below a minimum level or fluid temperature exceeds 140° F, the unit shuts off and lights an LED. When fluid is replenished or temperature drops, the unit resets itself automatically.

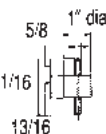
MOUNTING: Mount unit upright, preferably above fixture level to keep unit clean. We offer an attractive, economical power-unit stand (below) that bolts to the floor. For mounting directly on machine-tool tables, we offer a vibration-proof mount (also below).



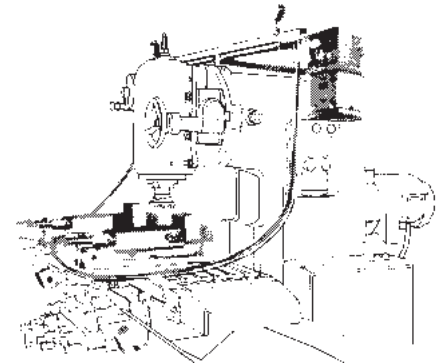
Power Unit Stand
CLR-3532-168-PUA



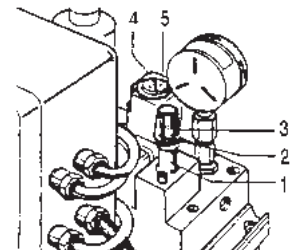
Vibration-proof
mount
CLR-3141-308-PUA



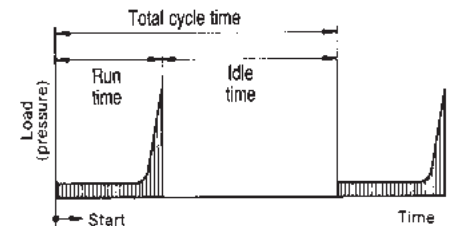
Units can also be mounted on the machine tool using an angle bracket. The photo below shows an overhead traverse bar for convenient hose arrangement. Push-button switches are installed within the operator's reach.



PRESSURE SETTING: Set system pressure by adjusting the setting screw (5) on the unit's pressure switch (4) in combination with the knurled knob (3) on the unit's pressure-relief valve (1). Basically, the pressure switch establishes the minimum system pressure (10% drop below setting) and the pressure-relief valve establishes the maximum in case of over pressurization.



DUTY CYCLE: Electric Power Units are designed specifically and purely for work-holding, with intermittent clamping and unclamping between machining cycles (not continuous running). For most working applications, actual running time is a small percentage of total cycle time. The graph below shows typical pump-pressure buildup during a machining cycle.



Run time must be less than 40% of total cycle time with maximum fluid level, 25% with minimum fluid level (7250-psi units). Run time must also be less than 120 seconds with maximum fluid level, 15 seconds with minimum fluid level (7250-psi units). Otherwise the fluid will overheat and the unit will shut off automatically.

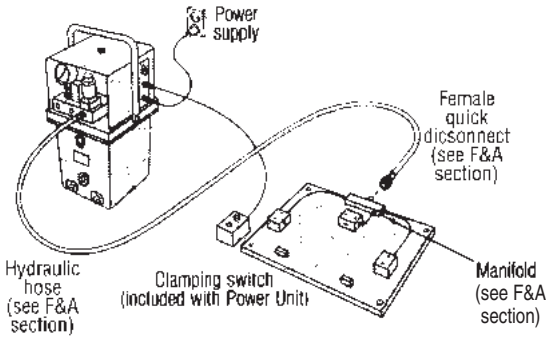


Carr Lane Roemheld Mfg. Co.

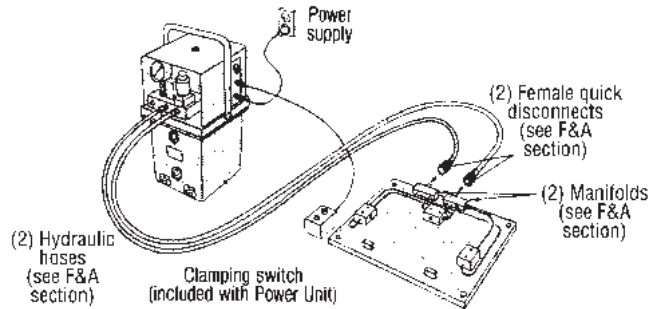
Sales — Phone (314) 647-6200 Fax (314) 647-5736
Engineering — Phone 1-800-827-2526 Web roemheld-usa.com

Electric Power Units

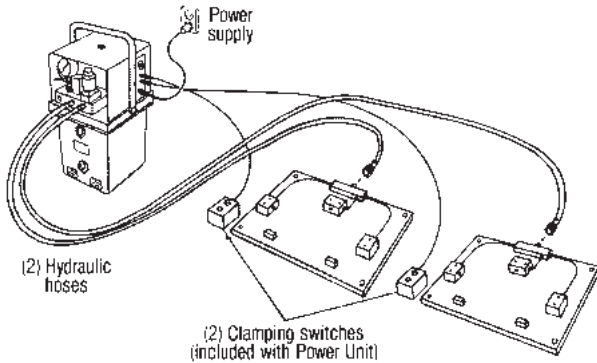
Connection Examples



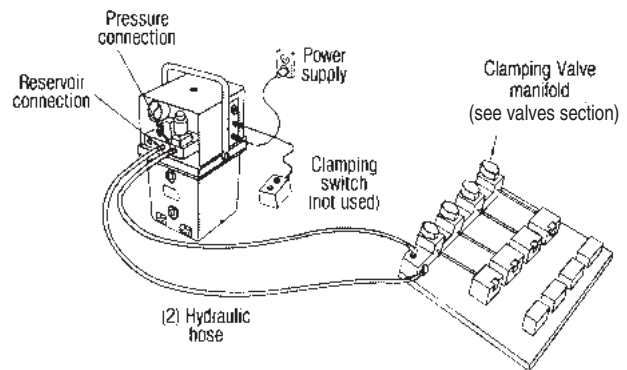
**Single Fixture
Single Acting**
(use any Electric Power Unit)



**Single Fixture
Double Acting**
(use CLR-933-EP or CLR-833-EP)



**Two Fixtures
Single Acting**
(use CLR-935-EP or CLR-835-EP)



**Multiple Parts Clamped Independently
Single Acting or Double Acting**
(use any Electric Power Unit)

Air Power Units

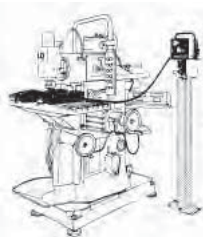
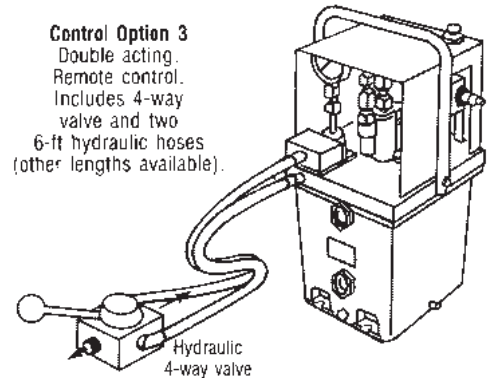
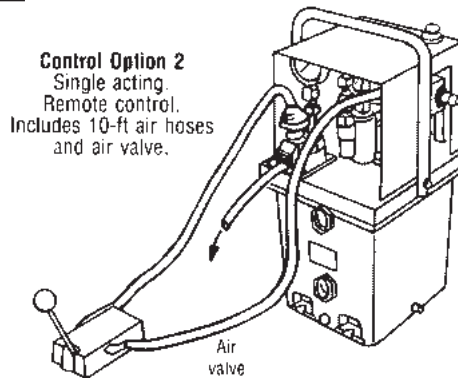
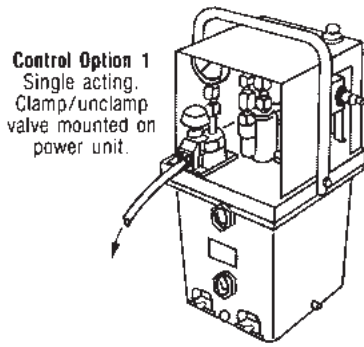
7250 psi max
Single and double acting



- Economical and self-contained. . .just fill with fluid
 - Up to 7250 psi from shop air pressure (only 70-psi air pressure required)
 - Tandem, reciprocating pump automatically restarts to maintain system pressure
 - Holds pressure even if air supply fails
 - Safe in hazardous locations
 - Complete turnkey unit includes clamping valve, filter/regulator/lubricator, air and hydraulic pressure gauges, muffler, and air extractor/dryer
- ** Do not use NPT fittings

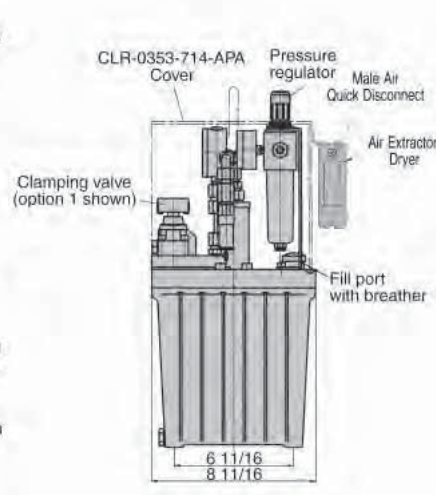
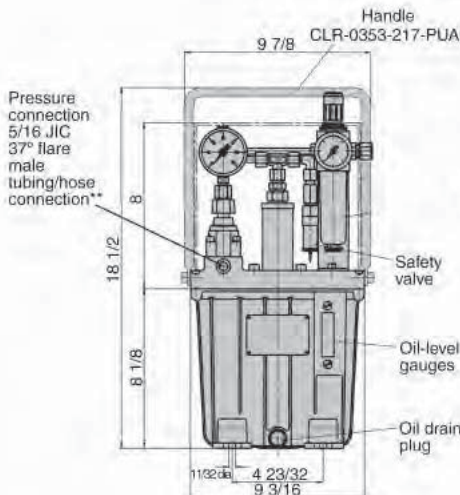
OPERATION: Unit is ready to run after you fill the reservoir with fluid (order separately, F&A section) and connect it to an air supply. Adjust the input air pressure, using the unit's air regulator, to adjust output fluid pressure (2200 to 7250-psi range). Only 70-psi air pressure is required to provide 7250-psi fluid pressure.

FLOW CONTROL: When using these power units in small circuits containing a Swing Clamp, Extending Clamp, or fluid-advanced Work Support, a simple flow control valve may be necessary. If clamps do not cycle properly, install flow control valve anywhere along the fluid lines to control flow to any or all workholding components.



Power Unit Stand
CLR-3532-168-PUA
available upon request

Input Air Pressure (psi)	Output Fluid Pressure (psi)											
	Free flow		1500		3000		4500		6000		7250	
	Flow Rate cu. in./min.	Input Air Vol. CFM	Flow Rate cu. in./min.	Input Air Vol. CFM	Flow Rate cu. in./min.	Input Air Vol. CFM	Flow Rate cu. in./min.	Input Air Vol. CFM	Flow Rate cu. in./min.	Input Air Vol. CFM	Flow Rate cu. in./min.	Input Air Vol. CFM
30	74	23	46	14	8	4	—	—	—	—	—	—
40	82	29	62	22	35	13	—	—	—	—	—	—
50	88	37	69	30	50	20	24	10	—	—	—	—
60	91	43	75	36	60	28	38	18	8	5	—	—
70 and higher	94	48	80	42	68	35	50	27	27	15	5	3



Fluid Recommendations see F&A section.

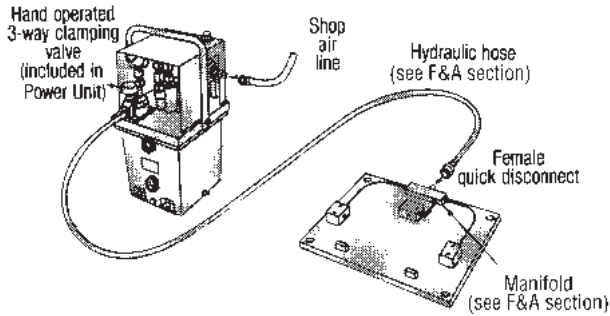
Operating pressure range	2350-7250 psi
Intensification Ratio	108:1
Flow Rate (cu. in./min.)	see table
Min. input air pressure (psi)	14.5
Usable fluid capacity (cu. in.)	150
Reservoir capacity (cu. in.)	260
Noise level at 3 ft. (dBA)	76
Weight (lbs)	50
Part No. Control option 1	CLR-100-AP
Part No. Control option 2	CLR-102-AP
Part No. Control option 3	CLR-105-AP
Part No. Pump without valves	CLR-106-AP



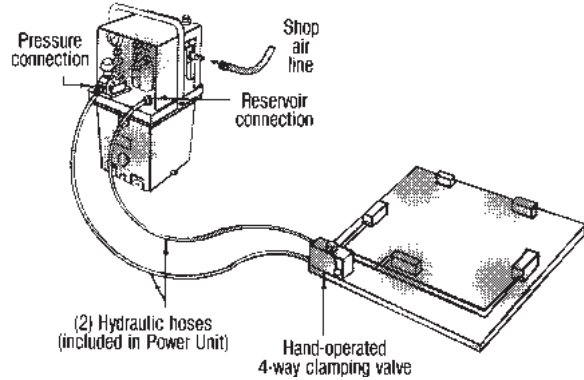
Carr Lane Roemheld Mfg. Co.

Sales — Phone (314) 647-6200 Fax (314) 647-5736
Engineering — Phone 1-800-827-2526 Web roemheld-usa.com

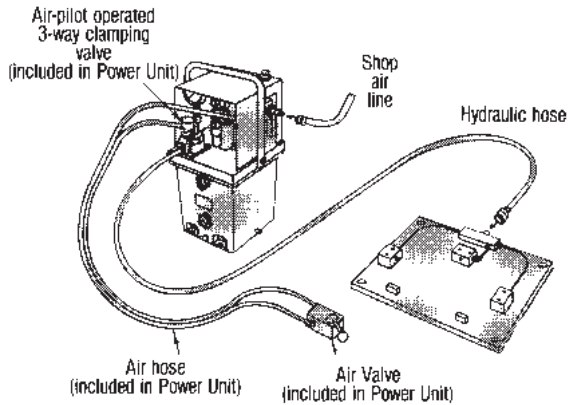
Connection Examples



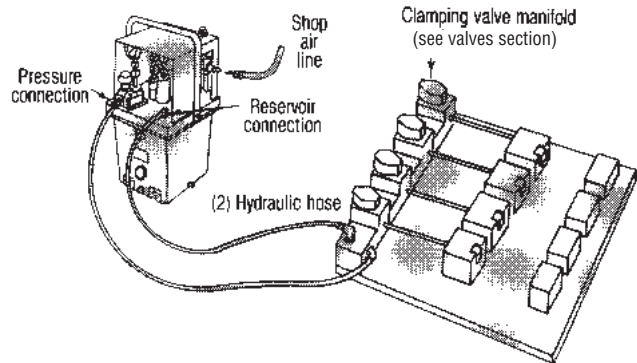
Single Fixture
Valve mounted on unit
Single Acting
CLR-100-AP



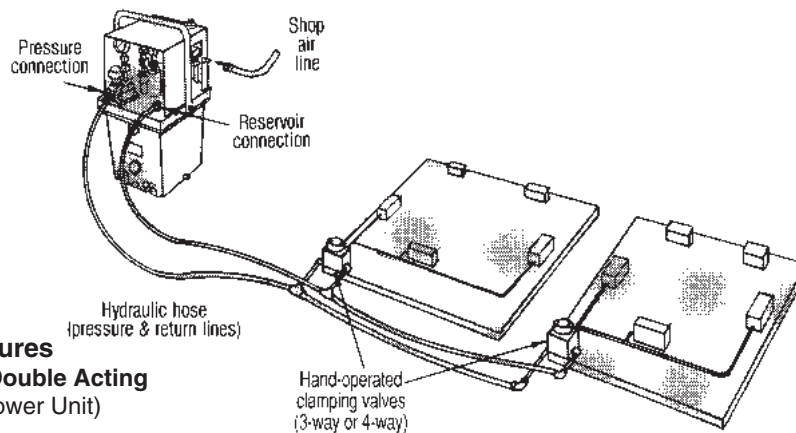
Single Fixture
Double Acting
CLR-103-AP



Single Fixture
Remote Valve
Single Acting
CLR-102-AP



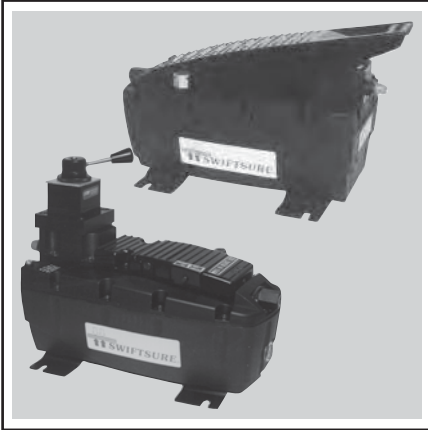
Multiple Parts Clamped Independently
Single Acting or Double Acting
(Use any Air Power Unit)



Two Fixtures
Single Acting or Double Acting
(use any Air Power Unit)

Air Power Units

7250 psi max
Single/double acting

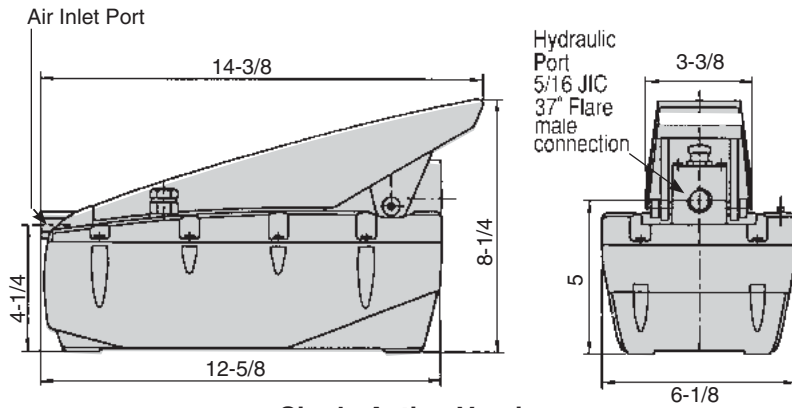


- The hydro-pneumatic pump unit can be operated with oil-free air.
- Due to suitable sound insulation only minimum working noises are obtained.
- The low starting pressure (40 psi) guarantees a quick start of the pump and short cycle time.
- The hydro-pneumatic pump unit is delivered ready for connection

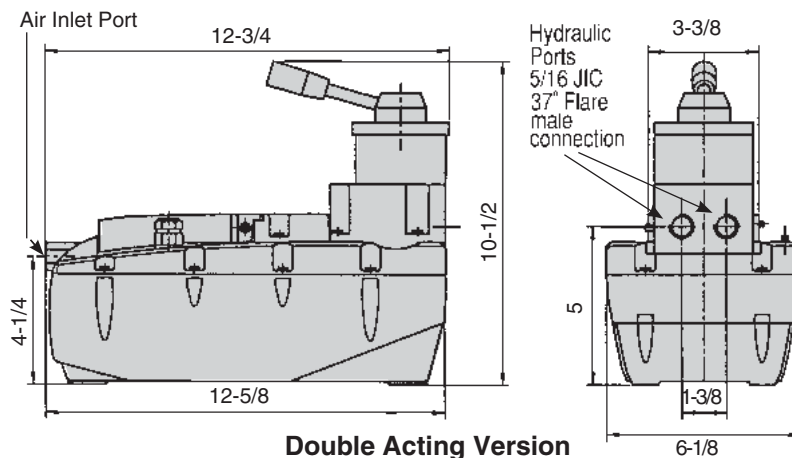
APPLICATION: The hydro-pneumatic pump unit is particularly suitable for smaller hydraulic clamping and assembly fixtures with single or double-acting hydraulic elements. As the power supplied is compressed air, it can be used without restriction in hazardous surroundings.

OPERATION: Single acting version The single-acting hydro-pneumatic pump unit is manually operated. By operating the pedal the fixture will be clamped or unclamped. The pump delivers oil as long as necessary to achieve the desired hydraulic operating pressure. The air pressure is adjusted by a pneumatic service unit and maintained by an integrated check valve.

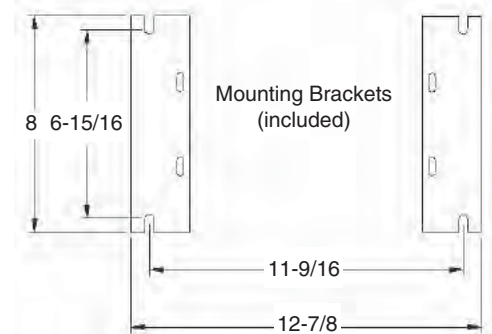
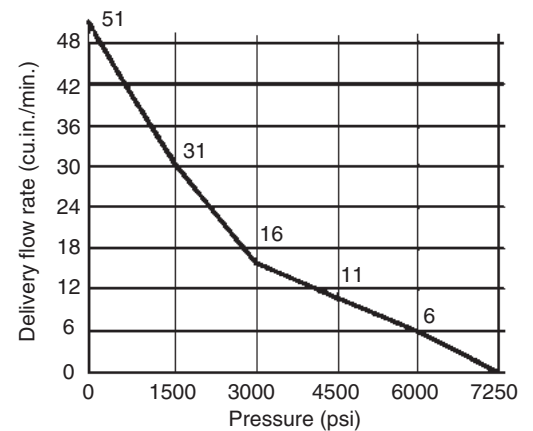
Double acting version By means of a locking device the pneumatic directional control valve (at the pneumatic side) is permanently in the opened switching position. By means of the mounted hand-operated hydraulic 4/3 directional control valve double-acting cylinders can be controlled. In the case of a pressure loss, the pneumatic pump operates automatically until the desired hydraulic pressure is realized.



Single Acting Version



Double Acting Version



Operating Pressure Range	4000-7250 psi
Intensification Ratio	100:1
Flow Rate (cu.in./min.)	see graph
Min. input air pressure (psi)	40
Usable fluid capacity (cu.in.) Horiz/Vert	125/90
Reservoir capacity (cu.in.) Horiz/Vert	150/135
Connecting Threads	
• Oil	G 1/4 BSPP
• Air	1/4 NPT
Weight (lbs)	14
Part No., Single Acting	CLR-200-AP
Part No., Double Acting	CLR-203-AP
Part No., Pump only - No Valves	CLR-201-AP

Fluid Recommendations see F&A section.



Carr Lane Roemheld Mfg. Co.

Sales — Phone (314) 647-6200 Fax (314) 647-5736
Engineering — Phone 1-800-827-2526 Web roemheld-usa.com

Hand Pumps

7250/3000 psi max
Single acting



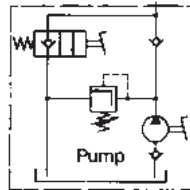
Single Stage

- Very compact
- Pump and release with the same lever
- Easily adjustable pressure setting
- Choice of hand or foot operation
- ** Do not use NPT fittings

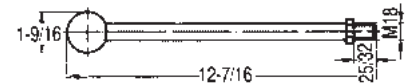
CLAMPING: Move pump lever downward to pump fluid, through a 40-degree stroke. Lever returns upward by spring force. Repeat until you reach the set pressure and the lever declutches.

UNCLAMPING: Lift pump lever 10 degrees upward against spring force to release clamping force instantly.

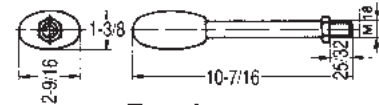
CONSTRUCTION: Totally self-contained power source. Virtually wearfree due to metallic seal on pump piston.



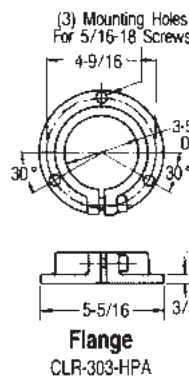
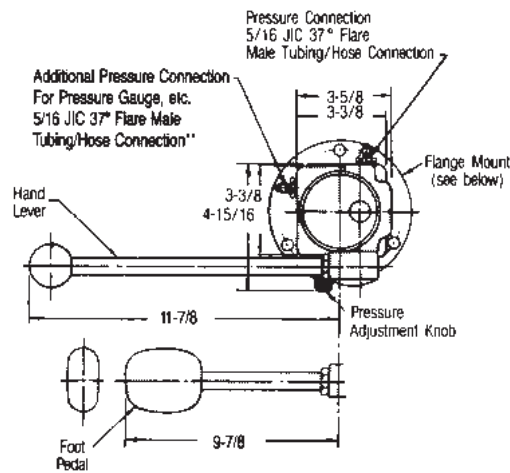
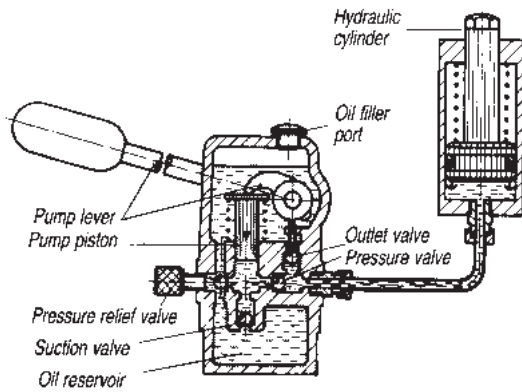
Symbol



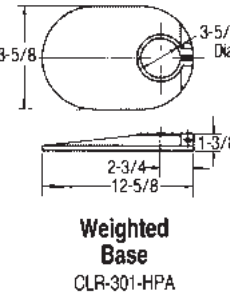
Hand Lever
CLR-003-HPA



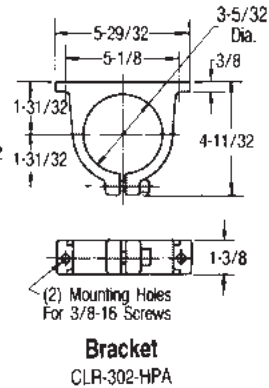
Foot Lever
CLR-002-HPA



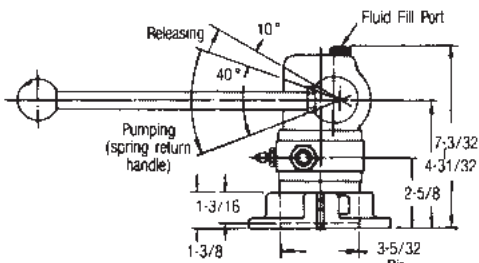
Flange
CLR-303-HPA



Weighted Base
CLR-301-HPA



Bracket
CLR-302-HPA



Operating pressure range	0-7250 psi	0-3000 psi
Displacement per stroke (cu.in.)	.12	.24
Usable oil volume (cu.in.)	9	9
Reservoir capacity (cu.in.)	18	18
Relief valve adjustment range (psi)	150-7250	150-3000
Weight (lbs)	16-27	16-27
Part No. with flange and hand lever	CLR-601-HP	CLR-401-HP
Part No. with flange and foot lever	CLR-602-HP	CLR-402-HP
Part No. with base and hand lever	CLR-603-HP	CLR-403-HP
Part No. with base and foot lever	CLR-604-HP	CLR-404-HP
Part No. with bracket and hand lever	CLR-605-HP	CLR-405-HP
Part No. with bracket and foot lever	CLR-606-HP	CLR-406-HP
Part No., pump only	CLR-600-HP	CLR-400-HP

Fluid Recommendations see F&A section.



Carr Lane Roemheld Mfg. Co.

Sales — Phone (314) 647-6200 Fax (314) 647-5736

Engineering — Phone 1-800-827-2526 Web roemheld-usa.com

Screw Pumps

7250 psi max
Single acting



Compact Block

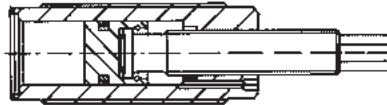
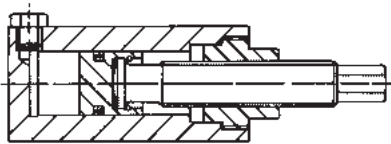


Cartridge/Manifold Mounted

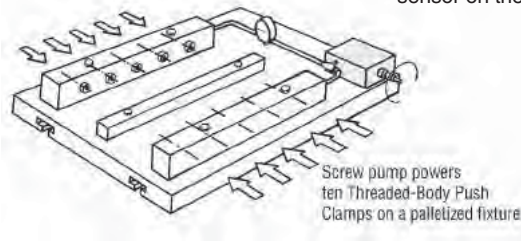
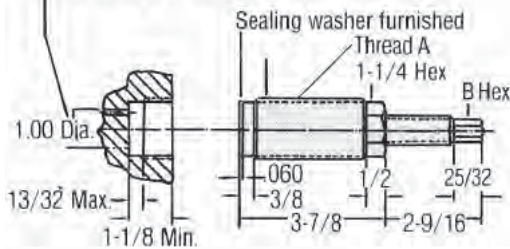
- Compact pressure source
- Ideal for rotary tables or pallets where fluids supply lines are impractical
- Excellent for holding pressure while fixture is transferred
- Can be used in multiples for more fluid capacity
- May be operated with a power torque wrench (non-impact)
- 7250 psi pressure from 38 ft-lbs torque
- ** Do not use NPT fittings

DESIGN CONSIDERATIONS:

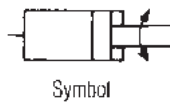
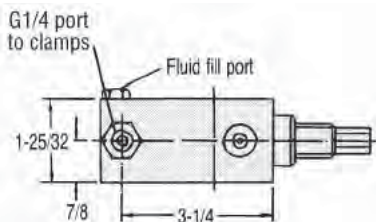
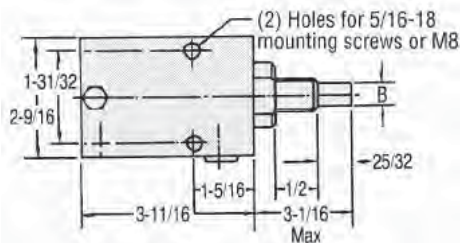
1. Include a pressure gauge in the system (see F&A section).
2. All clamps and components must be leak free, so use only Roemheld products.
3. Since fluid capacity is limited, use only on small fixtures. For best results, clamps should use only 65% of total fluid capacity. Due to limited capacity, use only with smallest accumulator CLR-9606-102-PDA.
4. Systems must be bled carefully and designed to avoid air pockets. Include a separate fill plug on the cartridge mounted version, at the highest point in the system.
5. Mount block-type Screw Pump only horizontally with fluid fill port up.
6. For safety on palletized fixtures, use a control cylinder (F&A section) with a position sensor on the machine.



Within this diameter range, the port drilling should be located as high up as possible



Hole Preparation for manifold mounting



Operating Pressure Range	0-7250 psi
Total fluid capacity (cu. in.)	1.28
Fluid displacement per revolution (cu. in.)	.06
Installation torque, manifold mounting (ft. lbs.)	58
Weight (lbs)	4.0

INCH

A body thread	1-1/2- 16
B Hex	1/2
Part No., compact block	CLR-900-SP
Part No., manifold mounted	CLR-901-SP
Part No., sealing washer	CLR-3000-843-SW

METRIC

A body thread	M38 x 1.5
B Hex	SW 13
Part No., compact block	CLR-8819-001-SP
Part No., manifold mounted	CLR-8819-101-SP
Part No., sealing washer	CLR-3000-843-SW



Carr Lane Roemheld Mfg. Co.

Sales — Phone (314) 647-6200 Fax (314) 647-5736
Engineering — Phone 1-800-827-2526 Web roemheld-usa.com

Hydraulic Intensifier

7250 psi max



APPLICATION: The hydraulic intensifier converts a hydraulic pressure on the primary side (input) into a higher pressure on the secondary side (output).

This enables the use of the comparatively low pressure of machine tool hydraulics to pressurize a hydraulic cylinder with a correspondingly increased intensification ratio.

DESCRIPTION: The construction of the hydraulic intensifier corresponds to the principle of pressurizing areas of different sizes. Regulation of the high pressure at the secondary side is made by regulation of the low pressure side and is directly proportional.

First the intensifier delivers a high flow rate at

a low pressure (displacement of the cylinders), with increasing counterpressure the intensifier switches automatically to pressure intensification. For unclamping, the cylinder is directly controlled with the low-pressure of the primary side (see example below).

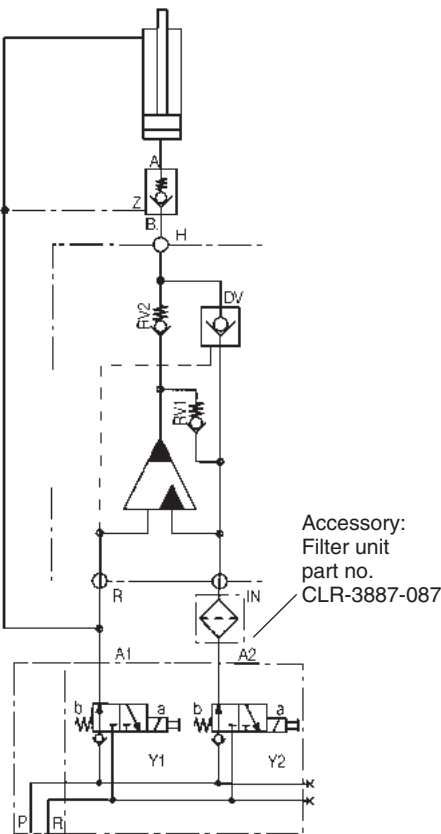
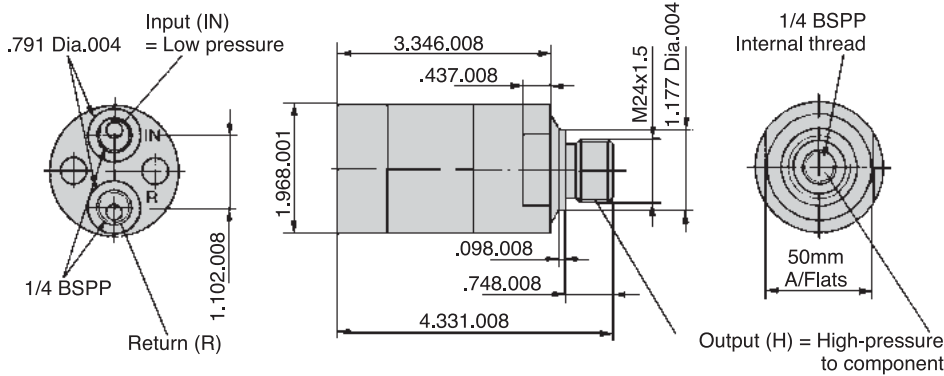
FUNCTION: the oil is supplied through input **IN** via the check valves **RV1**, **RV2**, and **DV** to the high pressure output **H** and thereby to the cylinders. In this phase the intensifier is in rapid function. According to the intensification *i* the max. flow rate can be up to 10 liters/min. With increasing pressure in the cylinder the oscillating pump unit **OP** (pulsation) automatically functions. If the adjusted high-pressure is obtained, pulsation of the intensifier is stopped. Pulsation continues in case of dynamic application. Max. frequency of pulsation is 30 Hz.

To retract the cylinder, the internal check valve **DV** is controlled via port **R** and thereby free return through the intensifier is guaranteed.

IMPORTANT NOTES: The hydraulic oil must be perfectly filtered with particles not larger than nominally 10 micron. This is the reason why we offer a filter unit (part no. CLR-3887-087), which can be directly integrated in the tubing of the low-pressure side. If the intensifier will be used on uncoupled systems (no connection to the pressure generator) a pilot-controlled check valve should be mounted at the high-pressure side (consider min. control pressure for opening). For pilot-operated check valve, see valves section.

When designing an installation, pay attention that there can be leakage between the ports **IN** and **R** of the high-pressure intensifier.

Leakage rate approx. 50 cm³/min. When using the intensifier in uncoupled systems there will be a pressure increase in the unclamping line due to the leakage. — Please contact us.



Intensification Ratio	1.5	2.0	3.2	4.0	5.0
Max. flow rate Low-pressure side Q _l (cu.in)	488	488	915	854	854
Max. flow rate, High-pressure side Q _h (cu.in)	61	48	150	120	98
Max. operating pressure Low-pressure side P _l psi	3000	3000	2000	1800	1500
Max. operating pressure High-pressure side P _h psi	4500	6000	7250	7250	7250
Weight (lbs)	2	2	2	2	2
Part No.	CLR-8755-015	CLR-8755-020	CLR-8755-032	CLR-8755-040	CLR-8755-050



Carr Lane Roemheld Mfg. Co.

Sales — Phone (314) 647-6200 Fax (314) 647-5736
Engineering — Phone 1-800-827-2526 Web roemheld-usa.com

Hydraulic Intensifier

7250 psi max



APPLICATION: The hydraulic intensifier converts a hydraulic pressure on the primary side (input) into a higher pressure on the secondary side (output).

This enables the use of the comparatively low pressure of machine tool hydraulics to pressurize a hydraulic cylinder with a correspondingly increased intensification ratio.

DESCRIPTION: The construction of the hydraulic intensifier corresponds to the principle of pressurizing areas of different sizes. Regulation of the high pressure at the secondary side is made by regulation of the low pressure side and is directly proportional.

First the intensifier delivers a high flow rate at a low pressure (displacement of the cylinders), with increasing counterpressure the intensifier switches automatically to pressure intensification. For unclamping, the cylinder is directly controlled with the low-pressure of the primary side (see example on previous page).

FUNCTION: the oil is supplied through input **IN** via the check valves **RV1**, **RV2**, and **DV** to the high pressure output **H** and thereby to the cylinders. In this phase the intensifier is in rapid function. According to the intensification **i** the max. flow rate can be up to 10 liters/min. With increasing pressure in the cylinder the oscillating pump unit **OP** (pulsation) automatically functions. If the adjusted

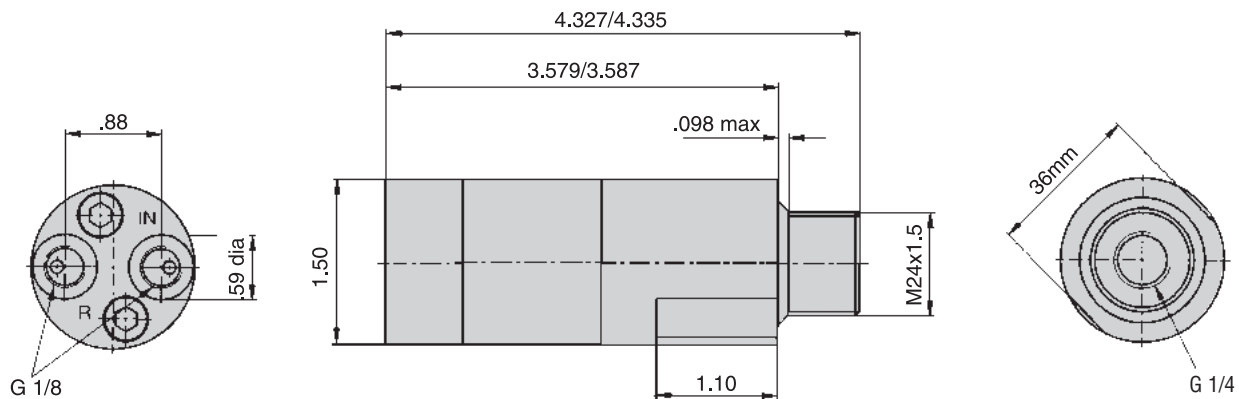
high-pressure is obtained, pulsation of the intensifier is stopped. Pulsation continues in case of dynamic application. Max. frequency of pulsation is 30 Hz.

To retract the cylinder, the internal check valve **DV** is controlled via port **R** and thereby free return through the intensifier is guaranteed.

IMPORTANT NOTES: The hydraulic oil must be perfectly filtered with particles not larger than nominally 10 micron. This is the reason why we offer a filter unit (part no. CLR-3887-087), which can be directly integrated in the tubing of the low-pressure side. If the intensifier will be used on uncoupled systems (no connection to the pressure generator) a pilot-controlled check valve should be mounted at the high-pressure side (consider min. control pressure for opening). For pilot-operated check valve, see valves section.

When designing an installation, pay attention that there can be leakage between the ports **IN** and **R** of the high-pressure intensifier.

Leakage rate approx. 50 cm³/min. When using the intensifier in uncoupled systems there will be a pressure increase in the unclamping line due to the leakage. — Please contact us.



Intensification Ratio	3.2	4.0	4.8	6.2	7.5
Max. flow rate Low-pressure side Q _v (cu.in/min)	490	490	490	490	490
Max. flow rate, High pressure side Q _v (cu.in/min)	25	25	25	25	25
Max. operating pressure Low-pressure side P _v psi	2250	1800	1500	1100	950
Max. operating pressure High-pressure side P _v psi	7250	7250	7250	7250	7250
Weight (lbs)	2.2	2.2	2.2	2.2	2.2
Part No.	CLR-8755-132	CLR-8755-140	CLR-8755-148	CLR-8755-162	CLR-8755-175



Carr Lane Roemheld Mfg. Co.

Sales — Phone (314) 647-6200 Fax (314) 647-5736

Engineering — Phone 1-800-827-2526 Web roemheld-usa.com

Clamping Valves



**Hand-Operated
Single Acting**



**Hand-Operated
Double Acting**

For clamping several workpieces from a single power source.



**Cam Roller
Single Acting**



**Air/Hydraulic Pilot
Single Acting**

page 682



**DC Solenoid
Single or Double Acting**

Extremely compact, for clamping several workpieces from a single power source.

page 683



Heavy Duty Clamping Valve

Poppet style 4-way clamping valve can be used for single acting or double acting. Great for clamping several workpieces independently with a single power source. Heavy duty for extra-long life.

page 684



ROEMHELD
HILMA ■ STARK

Carr Lane Roemheld Mfg. Co.

Sales — Phone (314) 647-6200 Fax (314) 647-5736
Engineering — Phone 1-800-827-2526 Web roemheld-usa.com

Valves

Control Valves

Sequence Valves



**Manifold Mounted
Or Series Mounted**

pages 686-687

For automatic sequencing of locating, clamping, and supporting operations. Easily adjustable trigger pressure. Use in multiples for multi-step sequencing.

Pressure Control



Pressure Closing

page 685



Pressure Reducing

page 688



Pressure Relief

page 690

Shut Off



Use to hold pressure in a fixture during machining.

page 690

Flow Control



Use to restrict flow in one direction while allowing free return flow.

page 691

Check Valves



Pilot-Operated

Check valve that permits only one-way flow until released by a pilot fluid line. Available inline or manifold mounted.

page 689



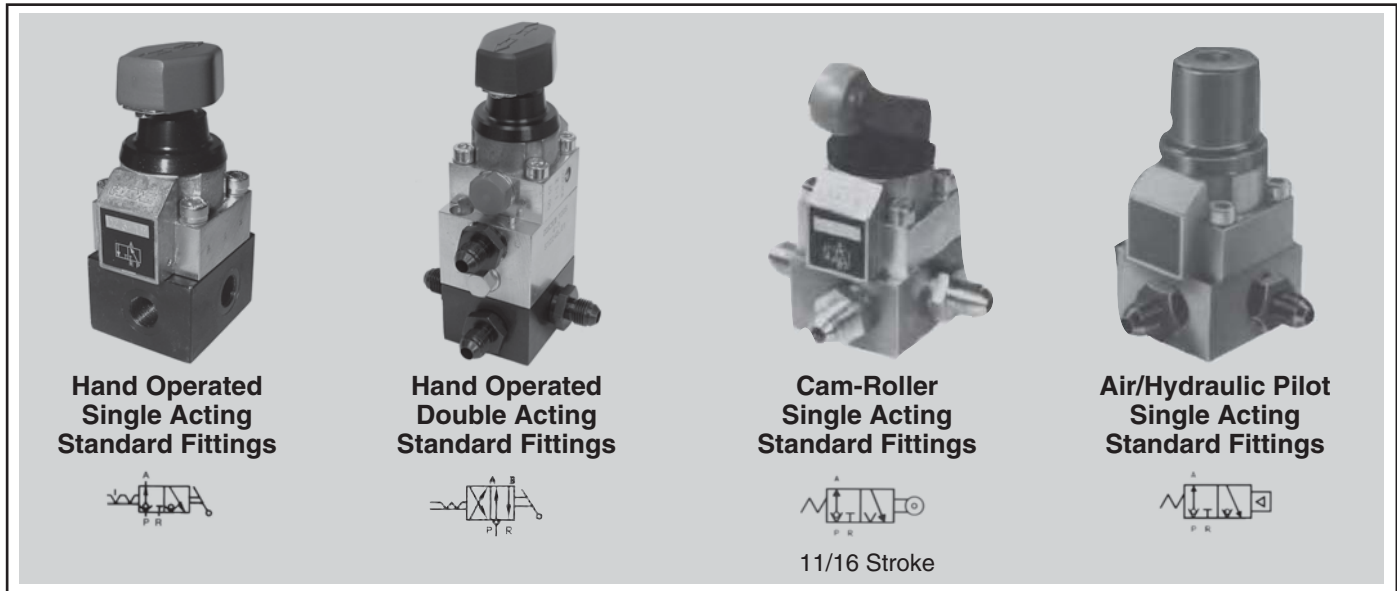
Inline, Cartridge Type

Allows fluid to flow in only one direction.

page 691

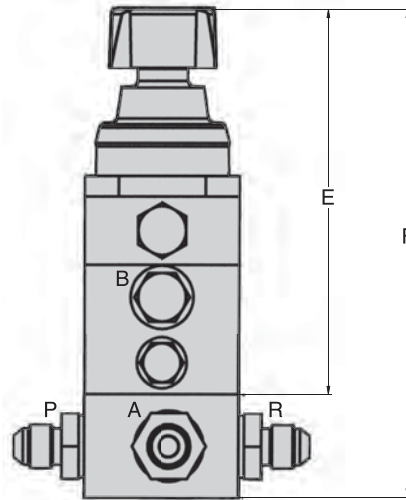
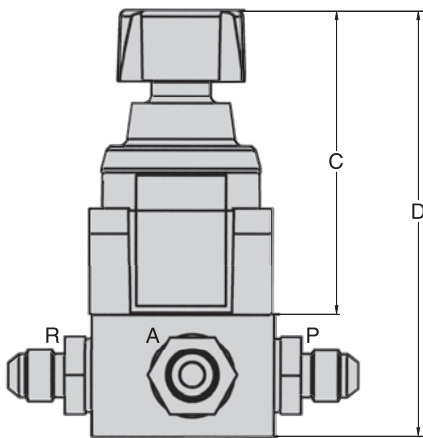
Clamping Valves

7250 psi max
Single or double acting

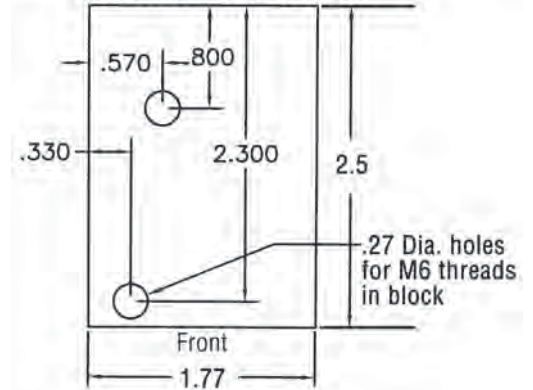


DOUBLE ACTING UNITS

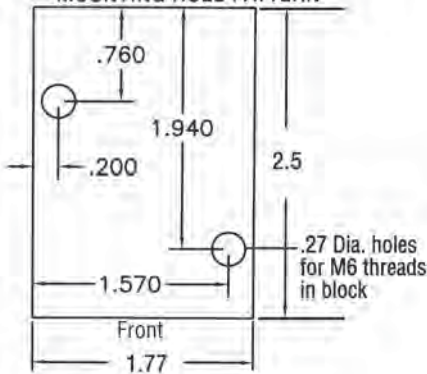
SINGLE ACTING UNITS



DOUBLE ACTING - STANDARD FITTINGS MOUNTING HOLE PATTERN



SINGLE ACTING - STANDARD FITTINGS MOUNTING HOLE PATTERN



Type	Hand Operated	Cam Operated	Air Pilot	Hydraulic Pilot	24V DC Solenoid
C	4.13	4.34	2.81	2.81	5.63
D	5.63	5.84	4.31	4.31	7.13
E	5.51	5.72	4.19	4.19	7.01
F	7.01	7.22	5.69	5.69	8.51
Single Acting Standard Fittings	CLR-225-V	CLR-415-V	CLR-335-V	CLR-345-V	CLR-645-V
Single Acting Manifold Mount	CLR-219-V	CLR-411-V	CLR-319-V	CLR-325-V	CLR-629-V
Double Acting Standard Fittings	CLR-4220-V	CLR-4412-V	CLR-4320-V	CLR-4326-V	CLR-4630-V
Double Acting Manifold Mount	CLR-4219-V	CLR-4411-V	CLR-4319-V	CLR-4325-V	CLR-4629-V



Carr Lane Roemheld Mfg. Co.

Sales — Phone (314) 647-6200 Fax (314) 647-5736

Engineering — Phone 1-800-827-2526 Web roemheld-usa.com

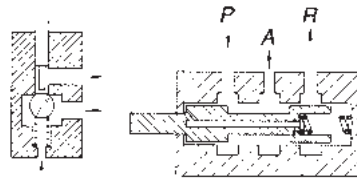
Clamping Valves

7250 psi max
Single or double acting



- Use to clamp several workpieces independently with a single power source
- For single-acting or double-acting clamps
- Zero-leakage poppet design with built-in check valve
- Extremely compact
- All electrical coils are continuous duty rated
- ** Do not use NPT fittings

Poppet Valves Spool Valves



Only Roemheld offers all zero-leakage poppet valves. Others use spool valves, which always have internal leakage due to clearance between the bore and spool.

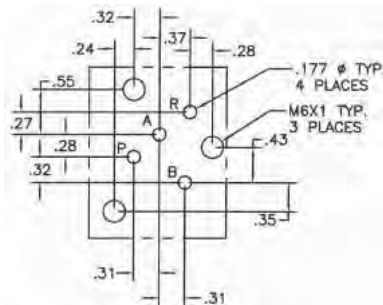
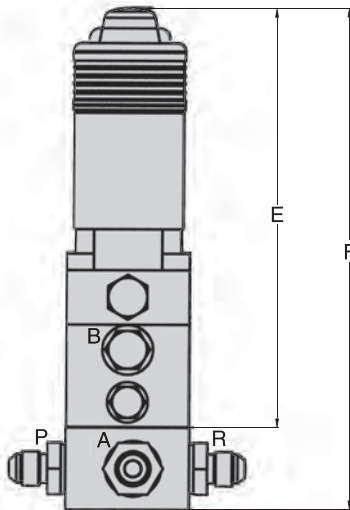
DESIGN CONSIDERATIONS: Port connections and flow directions must be exactly as shown on the drawings. Otherwise the valves will not function correctly.

- P - Pressure into valve from power
- R - Return from valve to power source
- A - Flow from valve to clamps and back

Use these valves only with the fluid types we recommend, CLR-2-FL equivalent on **INFO+** page 709). Fluid must be clean (10 micron or better nominal filtration).

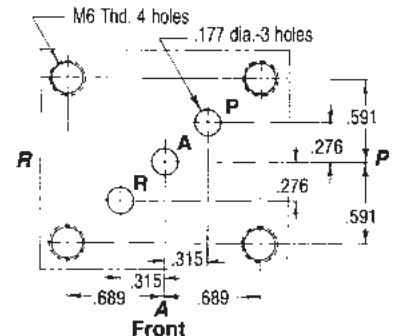
SOLENOID OPERATED: Clamp and unclamp automatically using electrical signals from a machine-tool controller. Operate clamps all at once, or individually using one valve per clamp. Stays clamped even if electric power fails, since solenoid is de-energized in the clamped position. 24 Volts DC (+5/-10% allowable voltage deviation), 2000 cycles/hour maximum. 20 watts power consumption. 120, 220, and 440 volt AC valve also available.

DOUBLE ACTING UNITS



Double Acting

Mounting-hole pattern for manifold mounting. Grind surface flat, 32 Ra max. Order valves without base.



Single Acting

Standard DC Solenoid Valve

Type	Solenoid operated
Max. operating pressure (psi)	7250
Max. inrush draw (watts)	20
Max. flow rate (cu. in./min.)	490
Voltage (+5%/-10%)	24 VDC
Make time (milliseconds)	100
Break time (milliseconds)	50
Max. cycles per hour	2000
Weight (lbs)	1.5
Part No., Single Acting	CLR-645-V
Part No., Double Acting	CLR-4630-V

Part no.	Type	Normal position (no signal)	Check valve	Symbol
CLR-4630-V	4-way 2-position	N/A	Yes	
CLR-645-V	3-way 2-position	Open	Yes	
CLR-32361-200-V			No	
CLR-32362-300-V		Closed	Yes	
CLR-32362-200-V			No	
CLR-32361-301-V	2-way 2-position	Closed	No	
CLR-32361-302-V		Open	No	



Carr Lane Roemheld Mfg. Co.

Sales — Phone (314) 647-6200 Fax (314) 647-5736
Engineering — Phone 1-800-827-2526 Web roemheld-usa.com

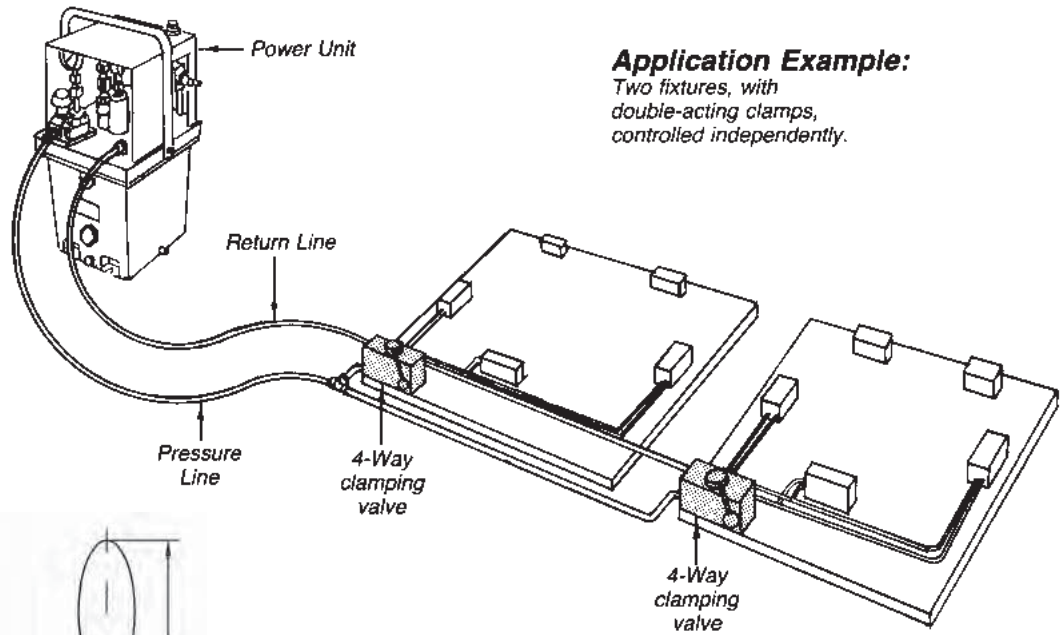
Clamping Valves (4-Way)

7250 psi max
Single and double acting

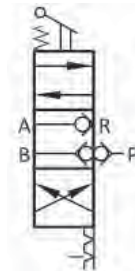
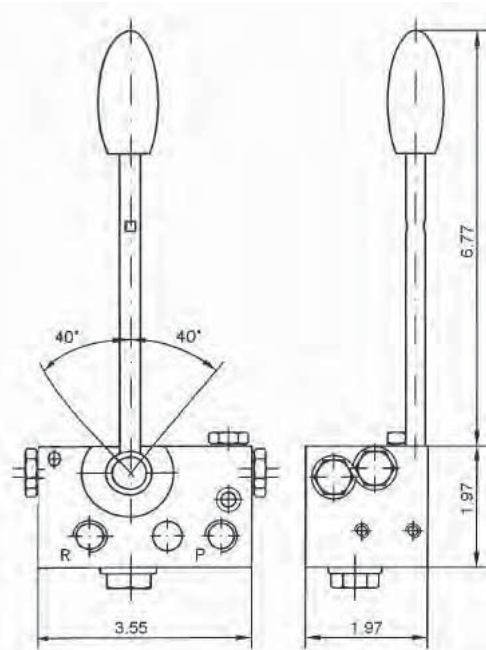


- Use to clamp several work pieces independently with a single power source
- For double-acting clamps
- Zero-leakage double-poppet design
- ** Do not use NPT fittings

Heavy-duty for extra-long life. Unique double-poppet design for zero leakage. To use with single-acting clamps, use Port Plug CLR-810-F on Port B. Internal check valves ensure fail-safe clamping.



Application Example:
Two fixtures, with double-acting clamps, controlled independently.



Max. Oper. Pressure (psi)	7250
Max. Flow Rate (cu. in./min.)	730
Direction of Flow	See Drawing
Port Size	G1/4
Weight (lbs)	2.5
Part No.	CLR-302-V



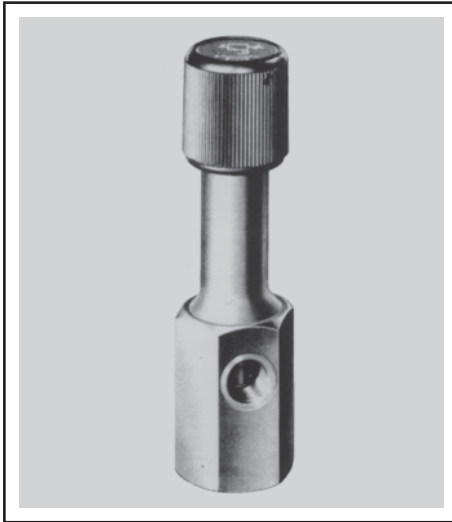
Carr Lane Roemheld Mfg. Co.

Sales — Phone (314) 647-6200 Fax (314) 647-5736

Engineering — Phone 1-800-827-2526 Web roemheld-usa.com

Pressure-Controlled Closing Valves

7250 psi max



- Allows different operating pressures in two parts of a fixture
- Can be used on pallet fixtures disconnected from a power source, since no return line is needed
- Allows fine tuning the clamping force of selected components while keeping others constant
- Holds reduced pressure to exact setting, regardless of input pressure
- Zero-leakage poppet design

OPERATION: Adjust downstream pressure using knob on top of valve. The valve shuts off downstream fluid flow as soon as system exceeds the set pressure.

MOUNTING: In line. Fittings furnished with valve provide 5/16" JIC 37° flare connections.

DESIGN CONSIDERATIONS: After closing, the oil pressure on the secondary side B is not regulated. There can be the following consequences:

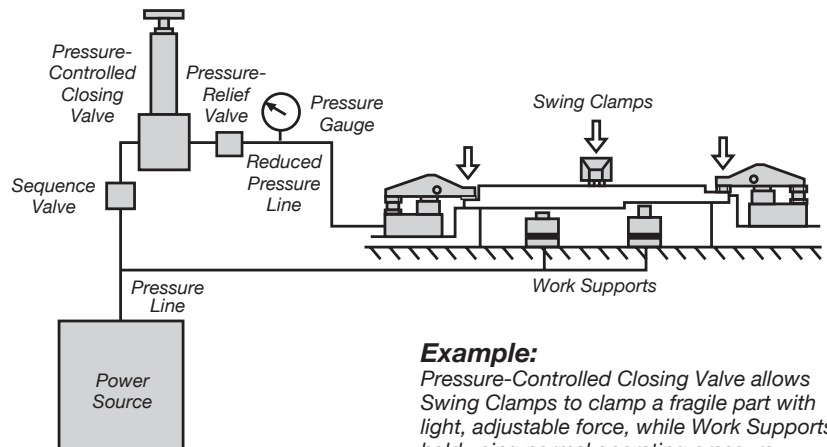
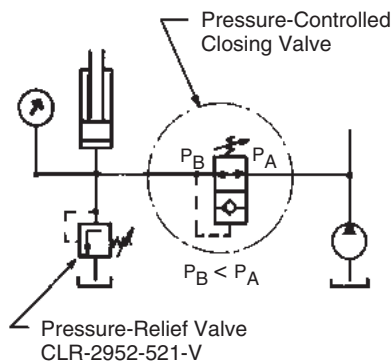
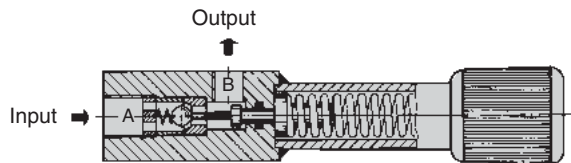
1. Pressure drop if there are leakages or if clamping elements are used which are not leakage free.
2. Pressure increases if there is an increase in temperature or if contamination has gotten in the valve seat and damaged it.

Therefore, it is highly recommended to install a pressure relief valve (CLR-2952-521-V) on the secondary side as a safety measure against pressure increase. By means of a pressure gauge the adjusted pressure can be monitored.

When using this valve in series with other valves (clamp/unclamp valves, sequence valves, etc.), pressure closing valve must be closest to clamps. Please contact factory if pilot operated check valves are to be used on clamps.

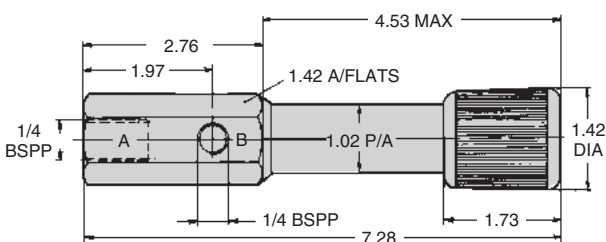


Symbol



Example:

Pressure-Controlled Closing Valve allows Swing Clamps to clamp a fragile part with light, adjustable force, while Work Supports hold using normal operating pressure.



Reduced-pressure adjustment range (psi)	High	Medium	Low
	2900-7250	870-3190	435-1800
Max. operating pressure, input (psi)	7250	7250	7250
Repeatability (+/- psi)	150	150	150
Max. fluid flow rate (cu. in./min.)	730	730	730
Part No.	CLR-2953-002-V	CLR-2953-003-V	CLR-2953-001-V



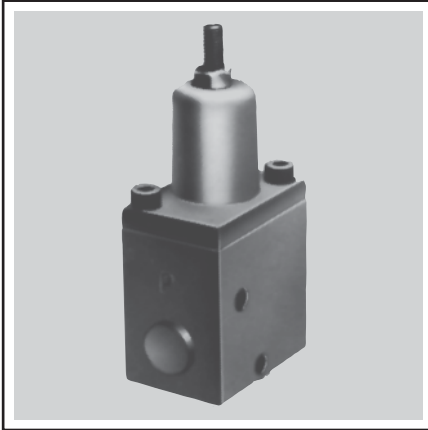
Carr Lane Roemheld Mfg. Co.

Sales — Phone (314) 647-6200 Fax (314) 647-5736

Engineering — Phone 1-800-827-2526 Web roemheld-usa.com

Sequence Valves

7250 psi max



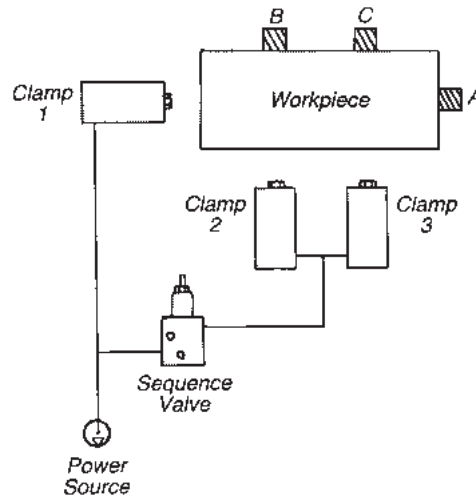
- Use to automatically sequence positioning, clamping, and supporting
- Easily adjustable trigger pressure
- Use in multiples for multi-step sequencing
- ** Do not use NPT fittings

DESIGN CONSIDERATIONS: Choose normal pressure-adjustment-range valves instead of low-range valves whenever possible. Normal range models offer a wider adjustment range, especially when used with an Air Power Unit. For multi-stage sequencing, set trigger pressures in steps of at least 750 psi (normal range) or 375 psi (low range).

STANDARD FITTINGS: Mount in line. Fasten with two #10 cap screws if desired.

MANIFOLD MOUNTING: Fluid enters and exits through two O-ring ports fed by drilled fixture passages. Mount on a ground surface (32 Ra max.) using three #10 cap screws.

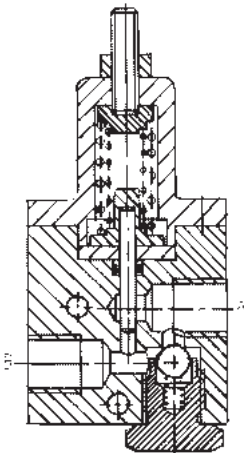
SERIES MOUNTING: Use one input valve and up to five series valves. Only one pressure connection is required, to the input valves P port. The other valves are connected by an internal passage, sealed with an O-ring between each valve. All required plugs, O-rings, and nuts are furnished.



Example clamping sequence:

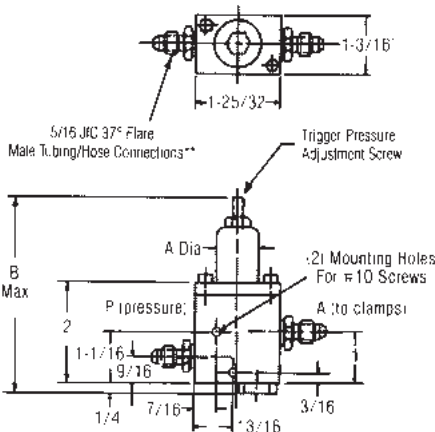
Workpiece to be positioned and clamped sequentially. Sequence valve set for 1500 psi trigger pressure.

1. When clamps are actuated, clamp 1 pushes workpiece against stop A.
2. As soon as pressure reaches 1500 psi, sequence valve opens.
3. Clamps 2 and 3 simultaneously push workpiece against stops B and C.
4. Fluid pressure rises uniformly in all clamps.



Trigger pressure adjustment range (psi)	Low Range	Normal Range
	150 to 2200	1500 to 6500
Max. operating pressure (psi)	7250	7250
Pressure change per turn (psi)	220	440
Maximum flow	490 cu. in./min.	490 cu. in./min.
A Dia.	7/8	1-3/32
B	4-5/16	5-3/4
Weight (lbs)	1.1	1.4

Standard Fittings



Standard Fittings

Part No.	CLR-420-V	CLR-440-V
----------	-----------	-----------

Manifold Mounted

Part No.	CLR-429-V	CLR-449-V
Part No., Spare O-Ring	CLR-3000-342-SW	CLR-3000-342-SW

Series Mounted

Part No., Input Valve	CLR-2954-427-V	CLR-2954-441-V
Part No., Series Valve	CLR-2954-428-V	CLR-2954-442-V
Part No., Connecting Bolt, 2 Valves	CLR-3619-029-VA	CLR-3619-029-VA
Part No., Connecting Bolt, 3 Valves	CLR-3619-031-VA	CLR-3619-031-VA
Part No., Connecting Bolt, 4 Valves	CLR-3619-032-VA	CLR-3619-032-VA
Part No., Connecting Bolt, 5 Valves	CLR-3619-033-VA	CLR-3619-033-VA
Part No., Connecting Bolt, 6 Valves	CLR-3619-034-VA	CLR-3619-034-VA

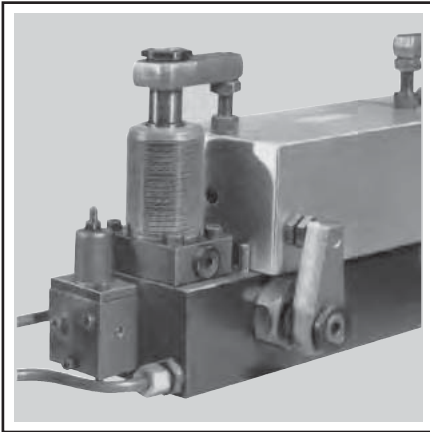


Carr Lane Roemheld Mfg. Co.

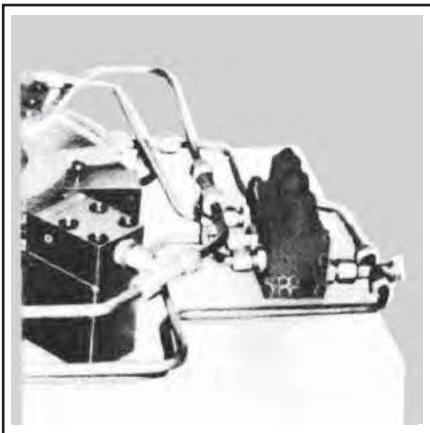
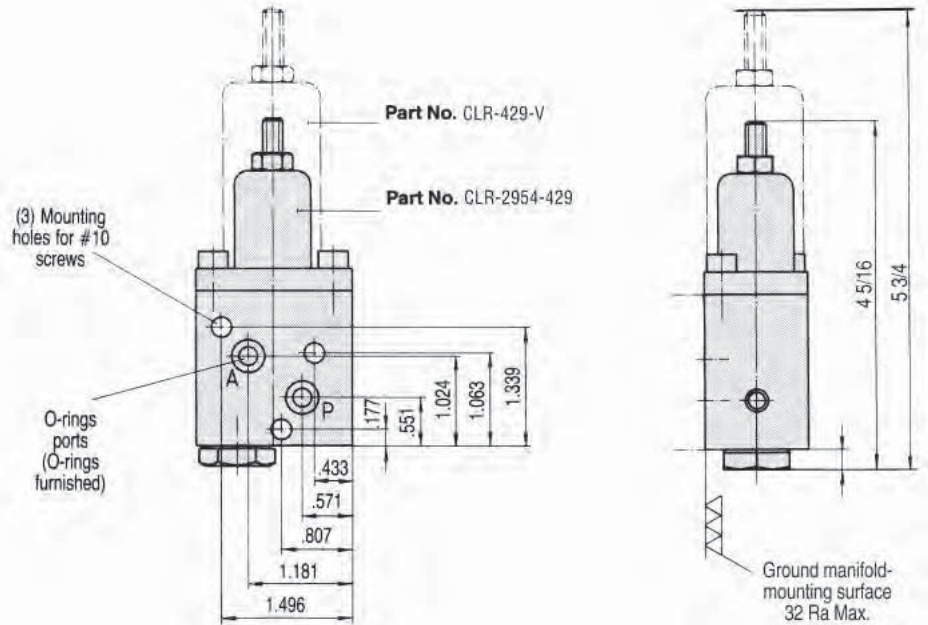
Sales — Phone (314) 647-6200 Fax (314) 647-5736
 Engineering — Phone 1-800-827-2526 Web roemheld-usa.com

Sequence Valves

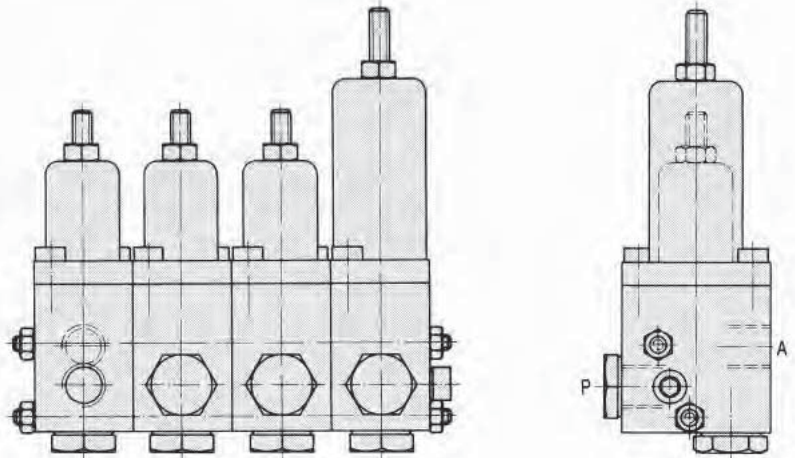
7250 psi max



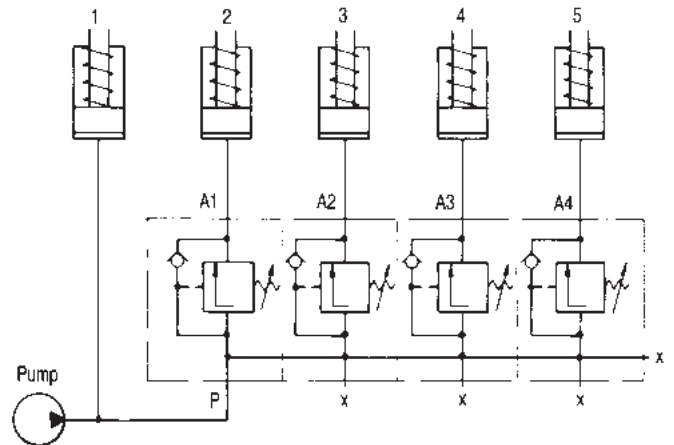
Manifold Mounted



Series Mounted



Hydraulic Diagram



Ordering Example:
Series combination of three low-range sequence valves and one normal-range sequence valve:
(1) CLR-2954-427-V Input Valve
(2) CLR-2954-428-V Series Valve
(1) CLR-2954-442-V Series Valve
(2) CLR-3619-032-VA Connecting bolts

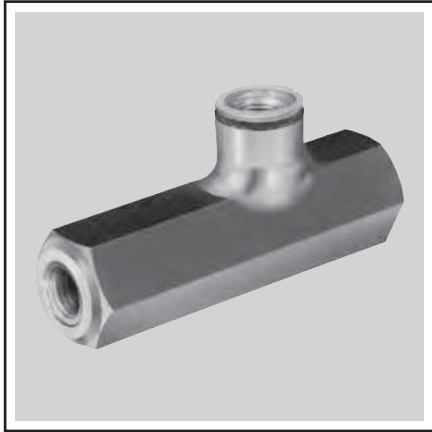


Carr Lane Roemheld Mfg. Co.

Sales — Phone (314) 647-6200 Fax (314) 647-5736
Engineering — Phone 1-800-827-2526 Web roemheld-usa.com

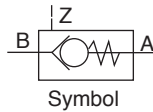
Pilot-Operated Check Valves

7250 psi max



In-Line Mounted

- Holds clamping pressure until released by a separate pilot pressure line
- Allows only one-way flow until released
- Excellent safety device if fluid line to fixture may become damaged
- May be used to prevent workpieces from floating between opposing clamps
- Spring-loaded ball-seat valve (leakage free)

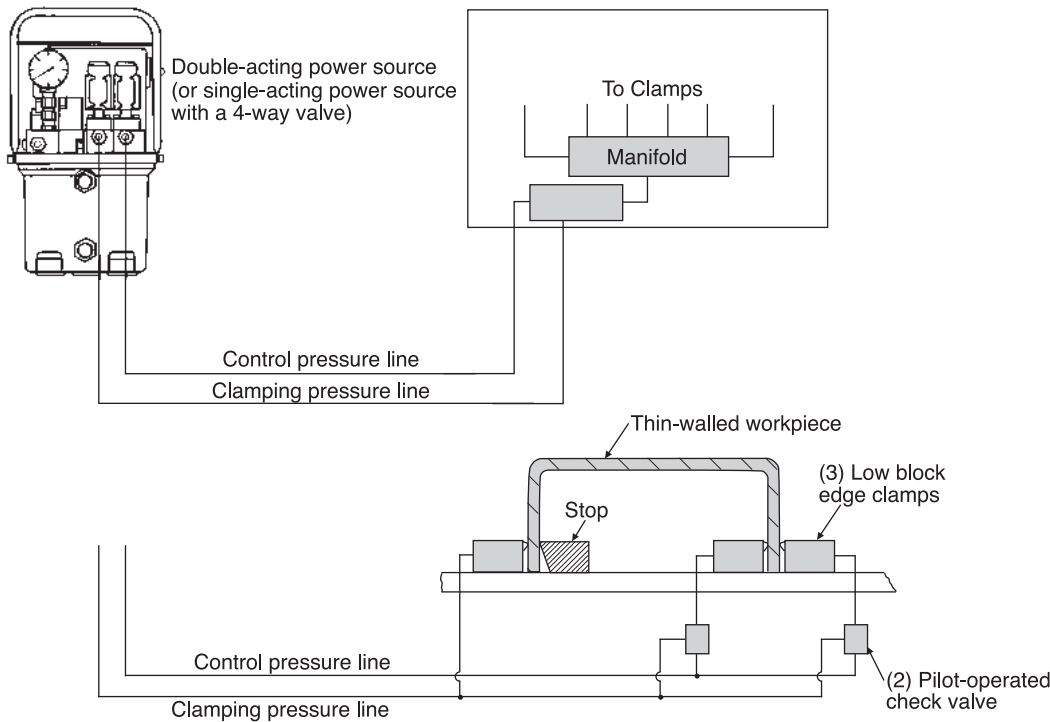


OPERATION: The flow from B → A is free. The flow from A → B is locked, but can be hydraulically unlocked by pressurizing control port Z.

CONTROL PRESSURE: To unlock the check valve for return flow, control (pilot) pressure must be greater than $(0.32 \times \text{Pressure}_A) + 175$ psi for the smaller valve and $(0.38 \times \text{Pressure}_A) + 175$ psi for the larger size.

MOUNTING: In-line mounting with tubing connectors. Control port Z is 1/4 BSPP. Ports A & B are 1/4 BSPP on the smaller size, 1/2 BSPP on the larger size. To reduce 1/2 BSPP to 1/4 BSPP, order adaptor CLR-3613-015-F.

DESIGN CONSIDERATIONS: This pilot-operated check valve is not suitable for locking of double-acting swing clamps (pull-type cylinders). Due to the unfavorable surface ratio of these elements, the control pressure is not sufficient for unlocking and dangerous pressure intensification can occur.

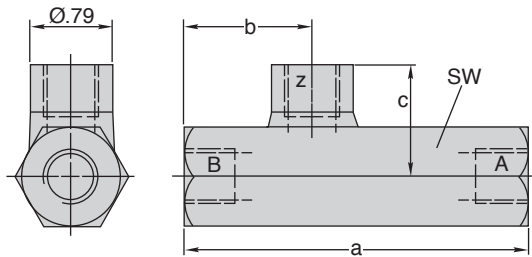


Example 1:

Workpieces remain clamped even if fluid line between power source and fixture becomes damaged.

Example 2:

Two opposing clamps (on right side) allow the workpiece to float between them to avoid distorting it. Without check valves, the workpiece would remain unstable since either clamp could retract or extend further by shifting fluid to the other. Check valves lock the clamps in their settled position by allowing only one-way flow.



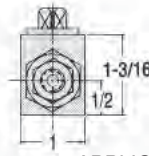
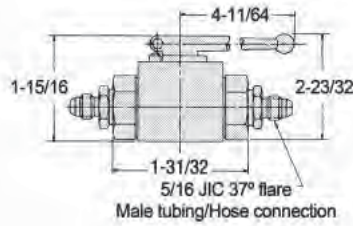
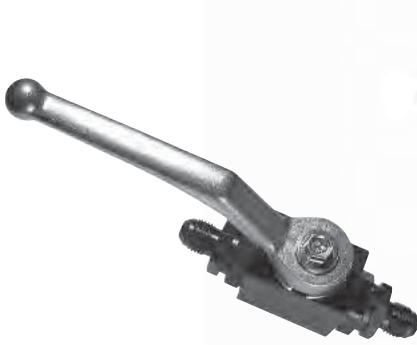
Max. flow rate (cu. in./min.)	920	3360
Max. operating pressure (psi)	7250	7250
Control fluid volume (cu. in.)	.01	.02
Port size, A & B	1/4 BSPP	1/2 BSPP
Port Size, Z	1/4 BSPP	1/4 BSPP
a	3.31	3.94
b	1.24	1.44
c	1.06	1.22
SW	24mm	32mm
Weight (lbs)	.9	1.3
Part No.	CLR-2951-417-V	CLR-2951-501-V



Carr Lane Roemheld Mfg. Co.

Sales — Phone (314) 647-6200 Fax (314) 647-5736
Engineering — Phone 1-800-827-2526 Web roemheld-usa.com

Shutoff Valves



APPLICATIONS:

1. Shutting off unused lines in a multi-purpose fixture.
2. Holding fixture pressure temporarily while transporting with power source disconnected.

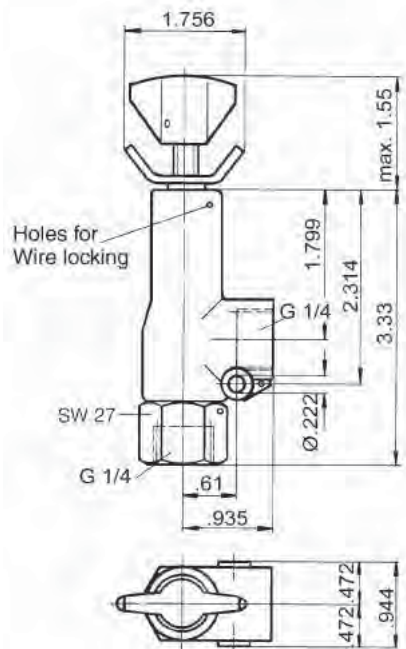
DESIGN CONSIDERATIONS: Note: a shutoff valve cannot be used to clamp and unclamp. See valves section for clamping valves.



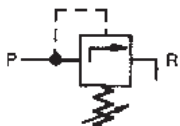
Symbol

Max. operating pressure (psi)	7250
Mounting	In line
Lever Movement	90°
Weight (lbs)	0.7
Part No.	CLR-400-V

Relief Valves



APPLICATIONS: To protect hydraulic circuits from unexpected pressure increases, such as when the temperature of a closed system increases beyond maximum operating pressure.
CONSTRUCTION: Poppet-type valve, directly controlled.



Symbol

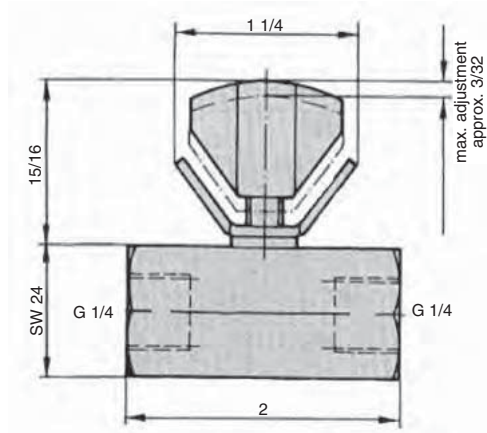
Max. operating pressure (psi)	7250
Adjustment range (psi)	450-7250
Mounting	In line
Weight (lbs)	3.3
Part No.	CLR-2952-521-V



Carr Lane Roemheld Mfg. Co.

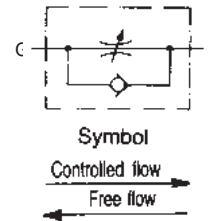
Sales — Phone (314) 647-6200 Fax (314) 647-5736
 Engineering — Phone 1-800-827-2526 Web roemheld-usa.com

Flow Control Valves



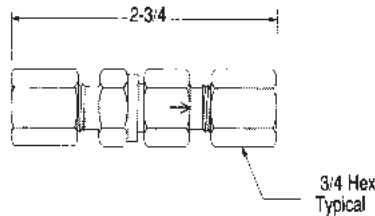
APPLICATIONS: To restrict flow from highflow-rate power sources for proper component operation (Swing Clamps, Extending Clamps, and Fluid-Advanced Work Supports for example).

OPERATION: Turn knob for precision flow control in one direction, with unrestricted free flow in the opposite.

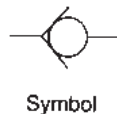


Max. operating pressure (psi)	7250
Mounting	In line
Weight (lbs)	0.7
Part No.	CLR-541-V

Check Valves



APPLICATION: Simple flow restrictor. Allows fluid to flow in only one direction (see arrow).



Cartridge-type check valves are also available. Please contact factory for more information.

Max. operating pressure (psi)	7250
Mounting	In line
Weight (lbs)	0.3
Part No.	CLR-9208-111



Carr Lane Roemheld Mfg. Co.

Sales — Phone (314) 647-6200 Fax (314) 647-5736
 Engineering — Phone 1-800-827-2526 Web roemheld-usa.com

Fittings & Accessories

Rotary Couplings



Single Passage (90°)
page 693



Single Passage (straight)
page 693



Two Passage
pages 694-695



Four Passage
pages 694-695



Six Passage
pages 694-695



Rotary Valve Couplings
pages 696-698



Rotary Air Valve Couplings
page 699

Pallet Coupling



Pallet Decouplers
pages 700-701



Accumulators
page 702



Threaded Coupling Elements
pages 703-704

Pressure Monitoring



Pressure Switches
page 705

Air Accessories



Filter/Regulator/Lubricators
page 706



Fine Pressure Regulators
page 706



Air Flow Controls
page 706



Air Extractor/Dryers
page 706



Air Vent Fittings
page 711

Fittings, Tubing, Hose, etc.



Manifolds
page 706



Gauges
page 706



Hose
page 709



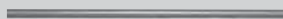
Fittings
pages 711-713



Fluid Filters
page 708



Quick Disconnects
page 707



Tubing
page 709



Fluid
page 709



Tubing Installation & Manifold Mounting
pages 710, 713-714



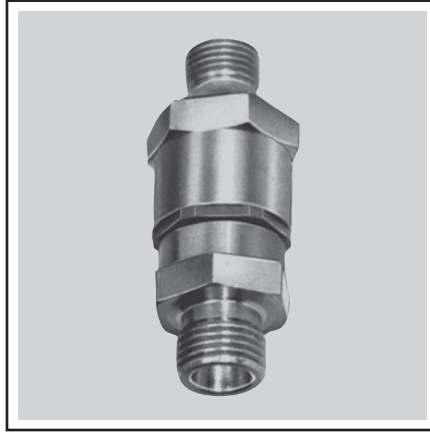
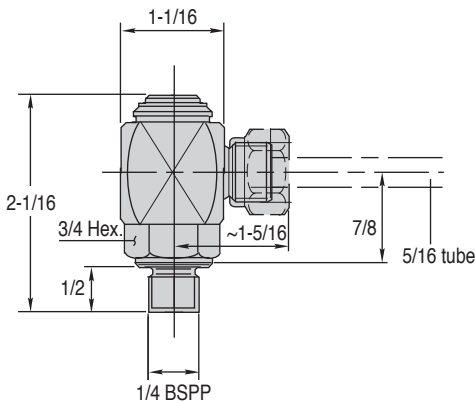
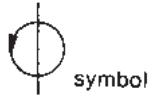
Contact Bolts
page 715

Rotary Couplings

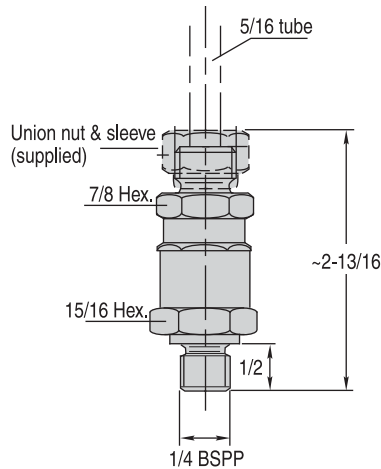
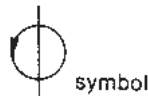
7250 psi max
Single acting



Single Passage —
Elbow

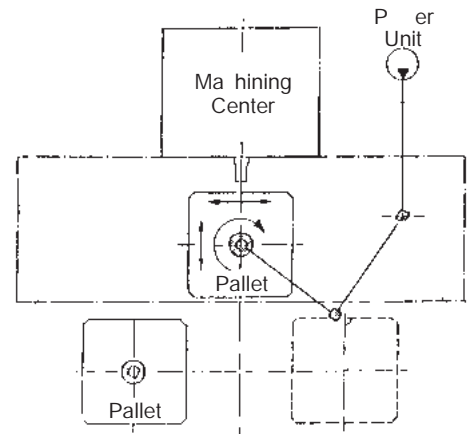


Single Passage —
Straight

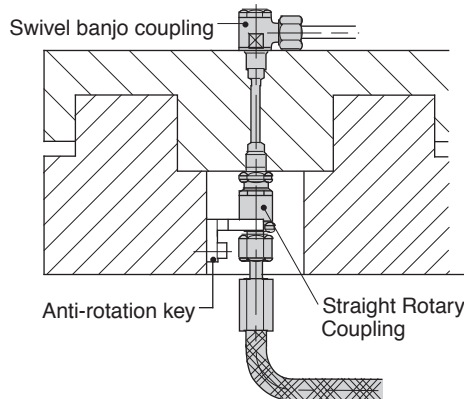
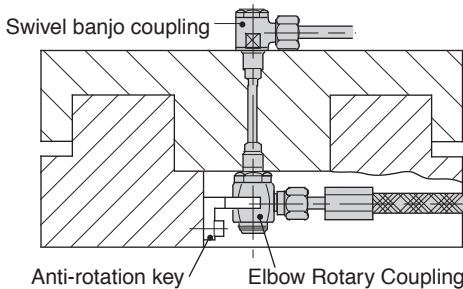


- Best choice for feeding fluid to rotating pallet changers, due to constant connection.
- Ideal for rotary index tables.
- Also good for elbow connections that regularly swing through a small arc
- Choice of elbow or straight version
- ** Do not use NPT fittings

MOUNTING: Mount at rotational center to prevent side loading. Screw into standard 1/4 BSPP port.



Machining-center pallet changer with continuous fluid feed using Rotary Couplings.



Number of passages	1
Operating pressure range (psi)	145 - 7250
Maximum rotational speed (RPM)	10
Max. seating torque (ft-lbs)	44
Starting torque at 7500 psi (ft-lbs)	1.0
Part No., Elbow	CLR-843-F
Part No., Straight	CLR-845-F



Carr Lane Roemheld Mfg. Co.

Sales — Phone (314) 647-6200 Fax (314) 647-5736
Engineering — Phone 1-800-827-2526 Web roemheld-usa.com

Rotary Couplings

7250 psi max
Single and double acting



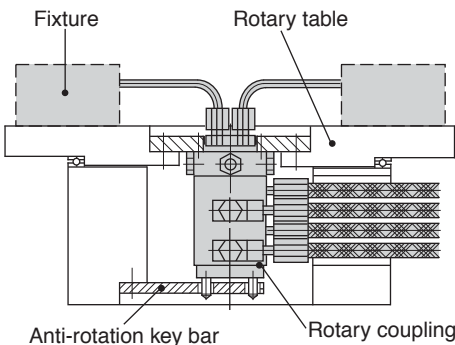
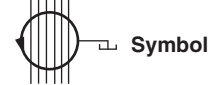
Two Passage



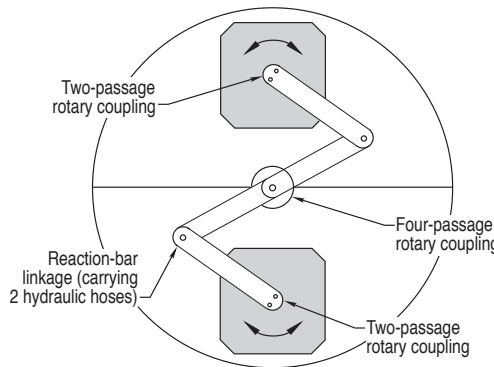
Four Passage



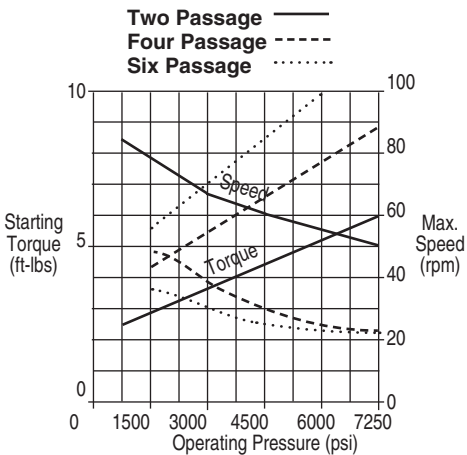
Six Passage



Four-pass rotary coupling with a reaction-bar to prevent stress on hose connections.



Rotary couplings are frequently used on horizontal machining centers with rotary pallet changers. A reaction-bar linkage holds the top portion of each two-pass coupling stationary while the bottom portion revolves freely. Couplings are not designed to carry load. Side load will cause excessive, uneven wear resulting in failure.



Number of passages	2	4	6
Max. flow rate (cu. in./min.)	493	493	493

Standard			
Leakage rate (cu. in./hr.)	.02	.04	—
Weight (lbs)	5.3	10.1	—
Part No., 150-7250 psi	CLR-9281-136-F	CLR-9284-036	—

With Leakage Recirculation			
Weight (lbs)	6.1	12.1	15.9
Part No., 150-7250 psi	CLR-9281-135	CLR-9284-135	CLR-9286-135



Carr Lane Roemheld Mfg. Co.

Sales — Phone (314) 647-6200 Fax (314) 647-5736
Engineering — Phone 1-800-827-2526 Web roemheld-usa.com

Rotary Couplings

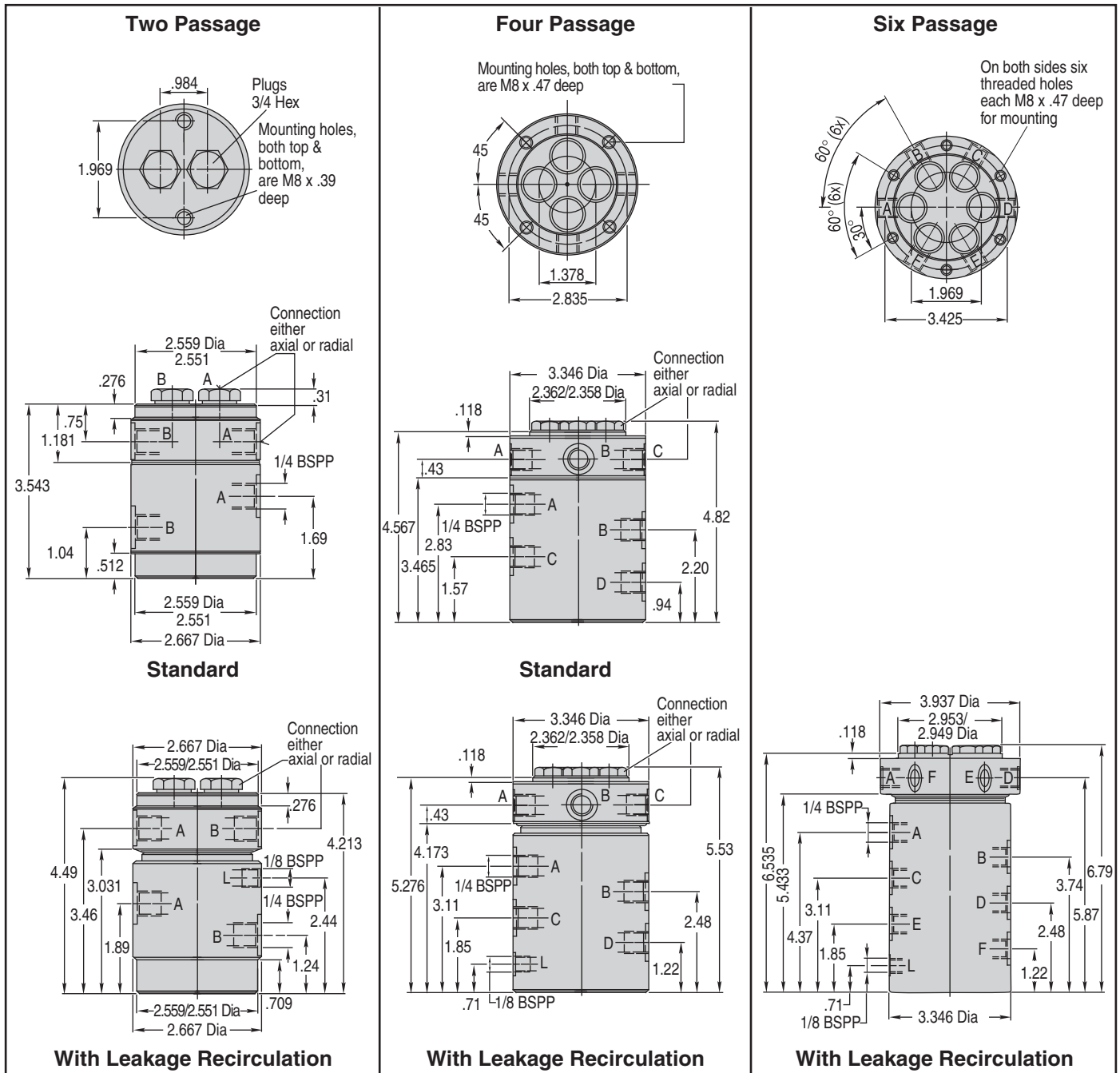
7250 psi max
Single and double acting

- **Best choice for feeding fluid to rotating pallet changers, due to constant connection.**
- **Ideal for rotary index tables.**
- **Can also be used for double-acting clamps.**
- **Choice of two, four, or six independent passages.**
- **Specials are readily available. Please contact factory.**

OPERATION: Each passage is supplied separately. This allows independent operation of two, four, or six (depending on model) sets of spring-return (single-acting) clamps.

MOUNTING: Either the top or bottom can be mounted by screws through the supplied holes. Do not hard mount both sides. Use anti-rotational key on one side.

DESIGN CONSIDERATIONS: The fluid pressure in the rotary coupling will add to the table's starting torque requirement and affect the maximum table operating speed. Please check the graph on the previous page. Fluid must be clean (10 micron or better nominal filtration). Couplings can not be side-loaded. Any weight applied will shorten the life of the unit.



Carr Lane Roemheld Mfg. Co.

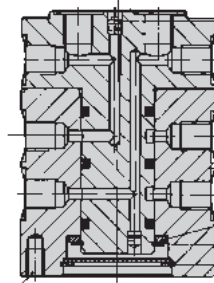
Sales — Phone (314) 647-6200 Fax (314) 647-5736
Engineering — Phone 1-800-827-2526 Web roemheld-usa.com

Rotary Valve Couplings

7250 psi max
Single and double acting



- For rotary index tables with an independent load/unload station
- Unload and reload while all other stations remain clamped
- Unclamps automatically at load station, or via a clamping valve
- Available from stock for rotary tables with 2 through 8 stations



OPERATION: One half of the Rotary Valve Coupling rotates with the index table, while the other half remains stationary. Each time the table and coupling index, a new station automatically becomes the load/unload station. The coupling supplies fluid to the loading station separately from all other stations. The loading station can be either unclamped and resealed automatically as the coupling rotates, or controlled by a separate clamping valve.

CLAMPING MANUALLY: The loading station can be clamped and unclamped manually (or by a machine controller's electrical signal) using a 3-way valve mounted off the rotating table. This insures that a new workpiece will not move during indexing, before it is securely clamped. See valves section for hand-, cam- or air pilot-operated valves. Double-acting clamps require a 4 way valve.

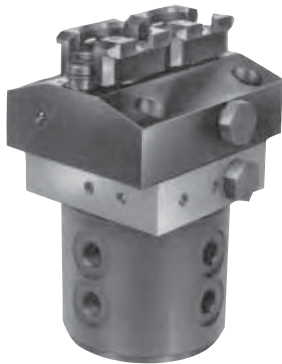
CLAMPING AUTOMATICALLY: To automatically unclamp and reclamp the load station as the coupling rotates, connect the coupling's return line R directly to the power source's reservoir (no pressure). To avoid any pressure drop as the table indexes, the power source's fluid flow rate (cu.in./min.) should be at least 240 times the fluid required at any one clamping station (cu.in.). Otherwise an accumulator must be installed on the pressure line from the power source.

DESIGN CONSIDERATIONS:

1. To use a standard Rotary Valve Coupling, the table must rotate through the same angle during each indexing movement.
2. Turning the coupling requires additional table-motor starting torque, especially when clamping automatically during indexing.
3. Maximum rotational speed is 10 RPM.
4. Use only with the following hydraulic fluids: those listed in F&A section. To use any other hydraulic fluid, check with factory first. Fluid must be clean (10 micron or better nominal filtration).
5. Do not turn coupling while dry, even before installation. Fill unused ports with fluid before capping off (e.g. when using an 8-station coupling for 4 stations).
6. Use only 1/4 BSSP fittings. Fitting-installation torque must be 28-35 ft.lbs.
7. Couplings can not carry load. Especially side load which will cause excessive, uneven wear.
8. With the load station unclamped, there is a small return-line leakage rate. Always install an accumulator, especially above 3000 psi.

MOUNTING: Firmly fasten either the top or bottom half of the coupling using the tapped mounting holes provided. Use a floating reaction bar to prevent the other half from rotating. Mount at the center of rotation, either above, below, or on the rotary table.

SPECIALS: For additional stations or special features, please contact factory.



Rotary Valve Couplings are also available for use with automatic coupling systems, for loading multi-sided tooling blocks. Please contact factory for information.

Type of clamps	Single Acting	Double Acting
Max. operating pressure (psi)	7250	7250

Type 1 — Single Station for Load/Unload

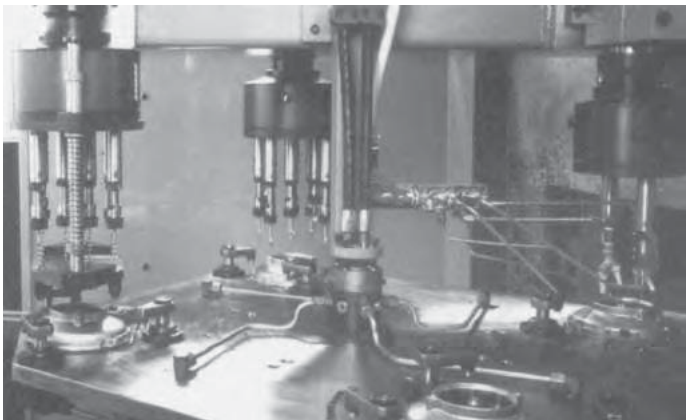
Part No., 5 station	CLR-9295-001-V	CLR-9295-002-V
Part No., 6 Station (also 2 & 3)	CLR-9296-001-V	CLR-9296-002-V
Part No., 8 Station (also 4)	CLR-9298-001-V	CLR-9298-002-V
Part No., 10 Station	CLR-9290-001-V	CLR-9290-002-V

Type 2 — Two Stations for Load/Unload Commonly Controlled

Part No., 6 station (also 2 & 3)	CLR-9296-011-V	CLR-9296-012-V
Part No., 8 Station (also 4)	CLR-9298-011-V	CLR-9298-012-V
Part No., 10 Station (also 5)	CLR-9290-011-V	CLR-9290-012-V

Type 3 — Two Stations for Load/Unload Separately Controlled

Part No., 6 station (also 2 & 3)	CLR-9296-101-V	CLR-9296-102-V
Part No., 8 Station (also 4)	CLR-9298-101-V	CLR-9298-102-V
Part No., 10 Station (also 5)	CLR-9290-101-V	CLR-9290-102-V



This application shows a multiple-spindle machine with four stations, for machining aluminum covers. An 8-station rotary valve coupling is at the center, with its four unused ports plugged.

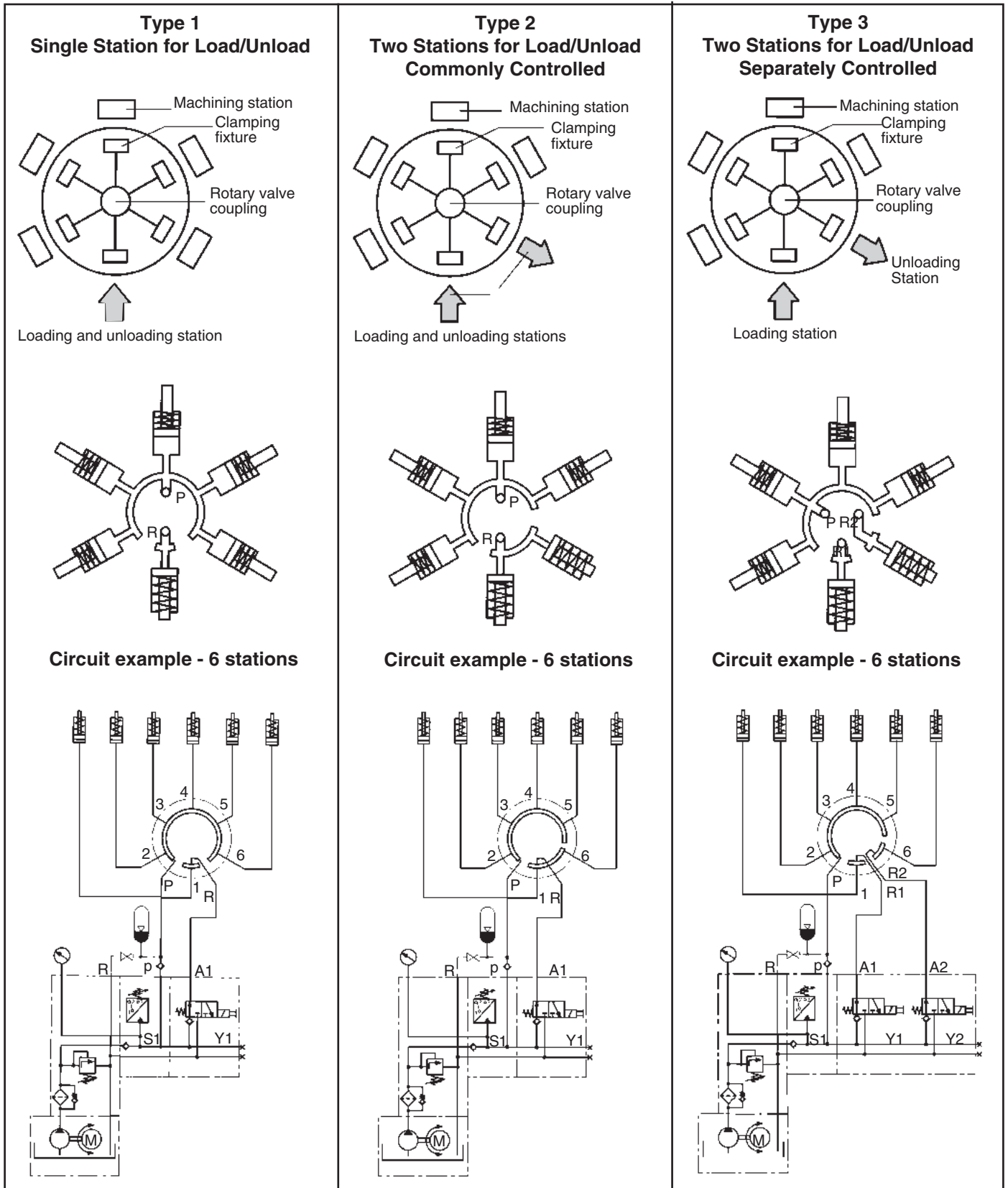


Carr Lane Roemheld Mfg. Co.

Sales — Phone (314) 647-6200 Fax (314) 647-5736
Engineering — Phone 1-800-827-2526 Web roemheld-usa.com

Rotary Valve Couplings

7250 psi max
Single and double acting



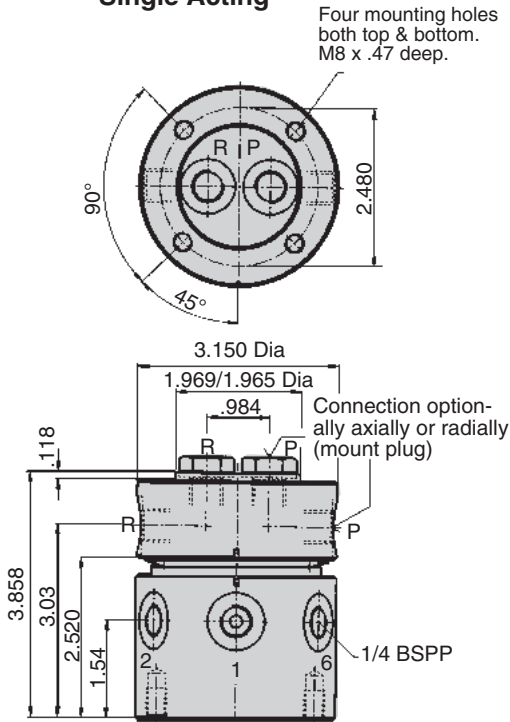
Carr Lane Roemheld Mfg. Co.

Sales — Phone (314) 647-6200 Fax (314) 647-5736
Engineering — Phone 1-800-827-2526 Web roemheld-usa.com

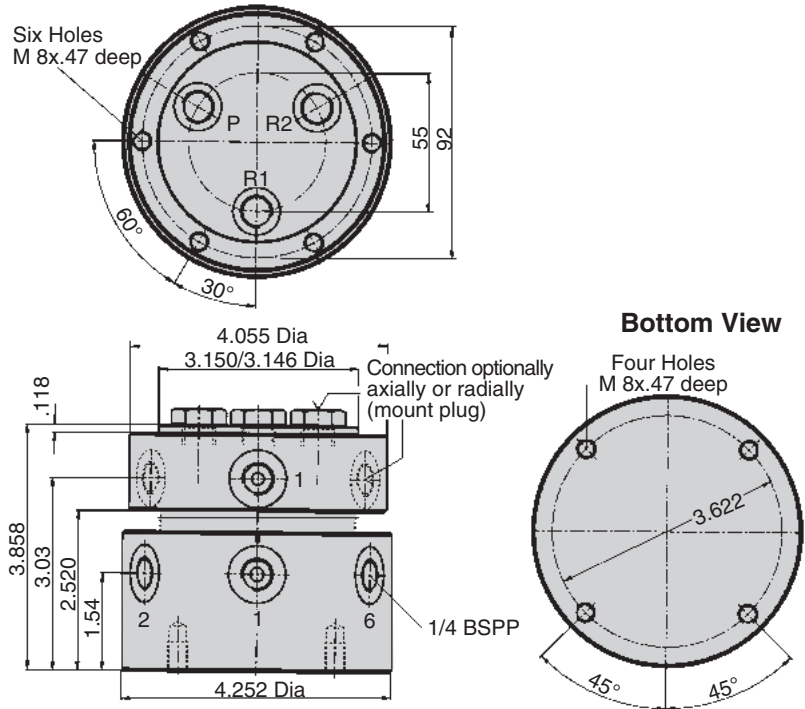
Rotary Valve Couplings

7250 psi max
Single and double acting

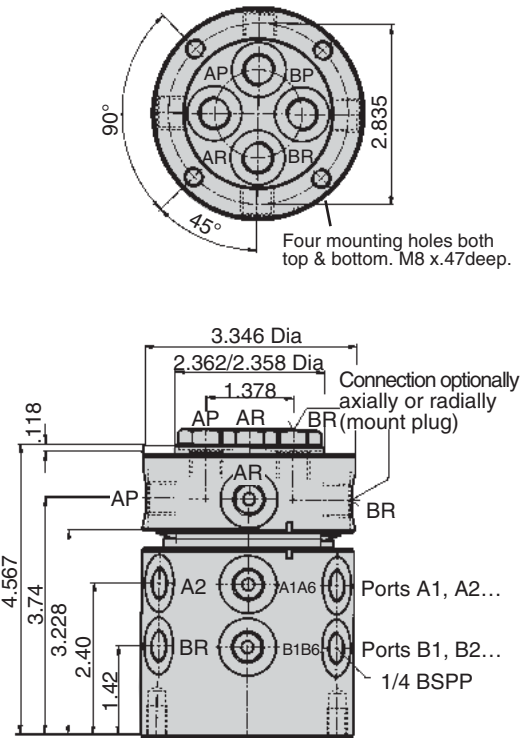
Types 1 & 2 Single Acting



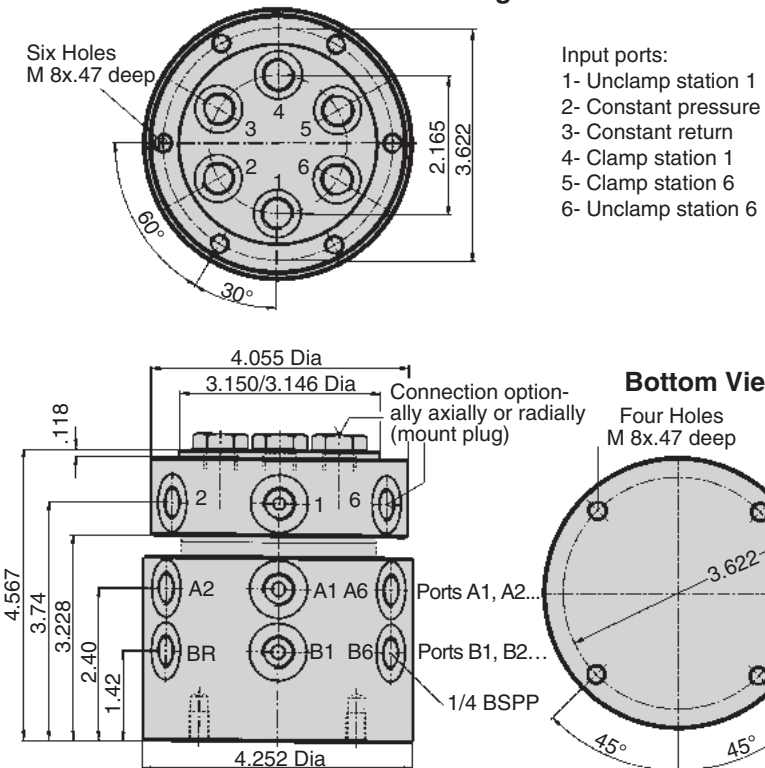
Type 3 Single Acting



Types 1 & 2 Double Acting



Type 3 Double Acting



Rotary Air Valve Couplings

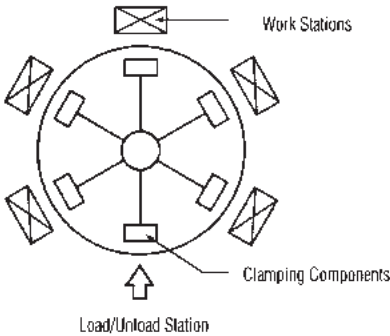
145 psi air max
Single and double acting



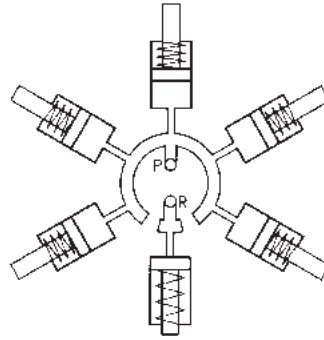
Single Acting

- For rotary index tables with an independent load/unload station
- Unload and reload while all other stations remain clamped
- Unclamps automatically at load station, or via a clamping valve
- Available from stock for rotary tables with 2 through 10 stations

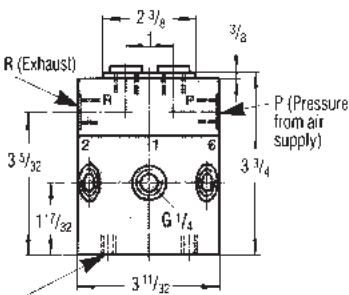
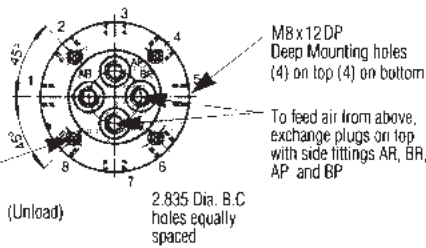
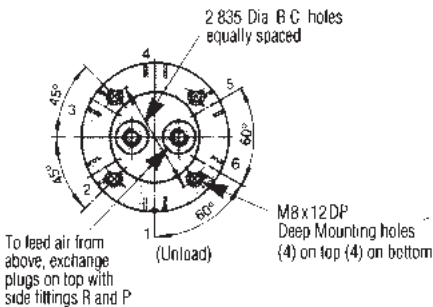
OPERATION: One half of the Rotary Valve Coupling rotates with the index table, while the other half remains stationary. Each time the table and coupling index, a new station automatically becomes the load/unload station. The coupling supplies loading station separately from all other stations. The loading station can be either unclamped and reclamped automatically as the coupling rotates, or controlled by a separate clamping valve.



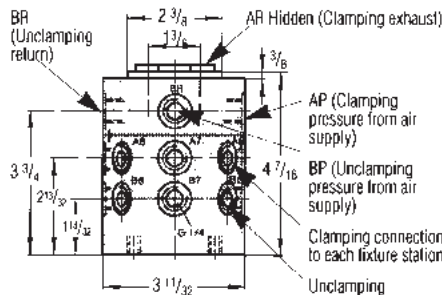
Single Acting



Double Acting



Bottom connections supply to each fixture station (1/4 BSPP Port, 1/4 BSPP male to 1/4 NPT adapter supplied. Ingestion of pipe dope or teflon tape may cause malfunction or damage to valve)



DESIGN CONSIDERATIONS:

1. To use a standard Rotary Valve Coupling, workpiece must be unloaded and reloaded at the same station. Also, the table must rotate through the same angle during each indexing movement.
2. Turning the coupling requires additional table-motor starting torque, especially when clamping automatically during indexing.
3. Maximum rotational speed is 10 RPM.
4. Although couplings are well sealed, an external cover may be necessary to protect the coupling's siding surfaces against extreme dirt and grit.

CLAMPING BY CONTROL VALVE: The loading station can be clamped and unclamped manually (or by a machine controller's electrical signal) using a 3-way valve mounted off the rotating table. This insures that a new workpiece will not move during indexing, before it is securely clamped. Double-acting clamps require a 4-way valve.

MOUNTING: Firmly fasten either the top or bottom half of the coupling using the tapped mounting holes provided. Use a floating reaction bar to prevent the other half from rotating. Mount at the center of rotation, either above, below, or on the rotary table.

SPECIALS: For additional stations or special features, please contact factory. Possibilities include:

1. Any number of stations
2. Multiple load stations (2 or more)
 - Controlled independently or together
 - Side by side, opposite, or at any other orientation

Type Clamp	Single-Acting	Double-Acting
Max. Operating Pressure (psi)	145	145
Part No., 5 Station	CLR-9295-601-V	CLR-9295-602-V
Part No., 2, 3, 6 Station	CLR-9296-601-V	CLR-9296-602-V
Part No., 7 Station	CLR-9297-601-V	CLR-9297-602-V
Part No., 4, 8 Station	CLR-9298-601-V	CLR-9298-602-V



Carr Lane Roemheld Mfg. Co.

Sales — Phone (314) 647-6200 Fax (314) 647-5736
Engineering — Phone 1-800-827-2526 Web roemheld-usa.com

Pallet Decouplers

7250 psi max
Single acting



Single Acting

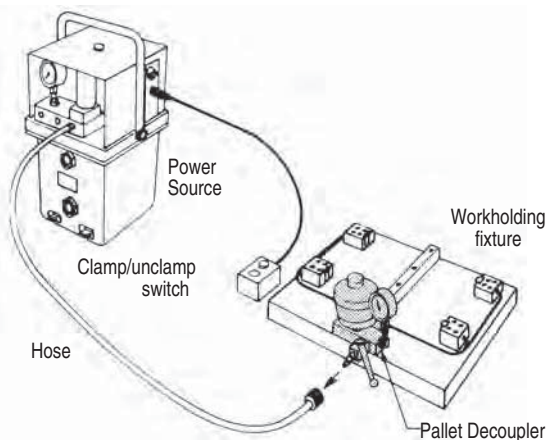
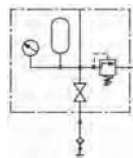
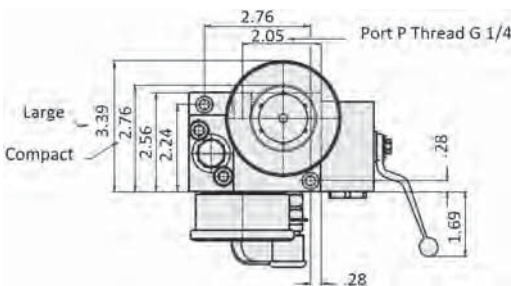
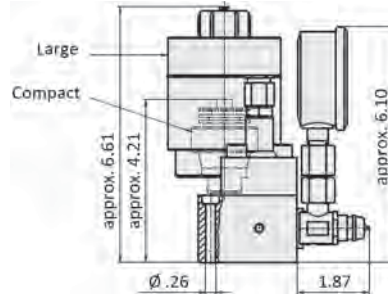
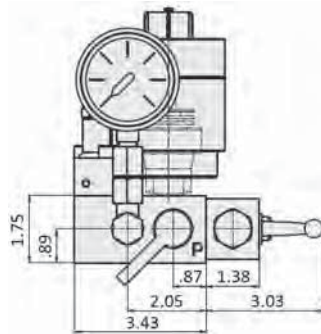
- Allows disconnecting a single-acting fixture from its power source before machining
- Compact assembly mounts easily on fixture (lay gauge flat for an even lower profile)
- Ideal for pallets and rotating fixtures where a fluid feed line is impractical
- Decoupler includes shutoff valve, quick disconnect, accumulator, pressure gauge, and pressure-relief valve
- Do not use NPT fittings

POWER UNIT: Any standard single-acting power unit can be used with this pallet decoupler.

OPERATION:

1. Remove protective cap from male quick disconnect on decoupler. Clean coupling components if necessary.
2. Connect hydraulic hose, with female quick disconnect, to the pallet decoupler. The power unit should be in unclamped mode (depressured) before connection.
3. Open shutoff valve on decoupler to unclamp fixture.
4. After unloading and reloading fixture, actuate power unit to clamp.
5. After pressure gauge shows proper clamping pressure, close shutoff valve on decoupler.
6. Switch power unit to unclamped mode.
7. Disconnect hose and replace protective cap on male quick disconnect. Hose can be connected to optional safety support while not in use.

SAFETY FEATURES: Pallet decouplers include an accumulator to compensate for pressure changes due to temperature variations. Important: use pallet decouplers only with Roemheld components, because all system components must be zero leakage. These decouplers are equipped with a pressure-relief valve to protect the fixture and the accumulator from extreme temperature increases. An optional safety support with a limit switch can be used to hold the hydraulic hose after uncoupling, to ensure that the fixture is disconnected before moving.



Accumulator Size	Compact	Large
Maximum operating pressure (psi)	7250	7250
Minimum operating pressure (psi)	1800	1800
Accumulator volume at 7250 psi (cu. in.)	0.6	3.4
Accumulator volume at 1800 psi (cu. in.)	0.16	0.9
Accumulator gas preload (psi)	1450	1450
Weight (lbs)	8.4	12.7
Part No., Decoupler	CLR-9425-012-PD	CLR-9425-011-PD
Part No., Female Disconnect	CLR-9384-106-F	
Part No., Safety Support	CLR-0942-001-PDA	

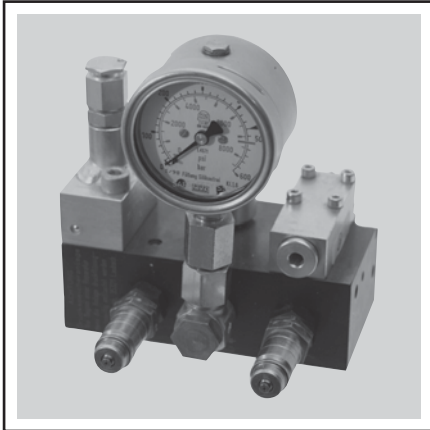


Carr Lane Roemheld Mfg. Co.

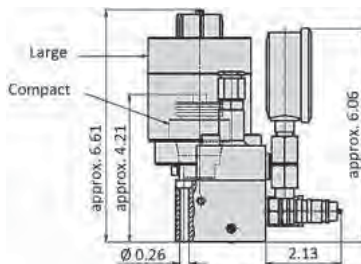
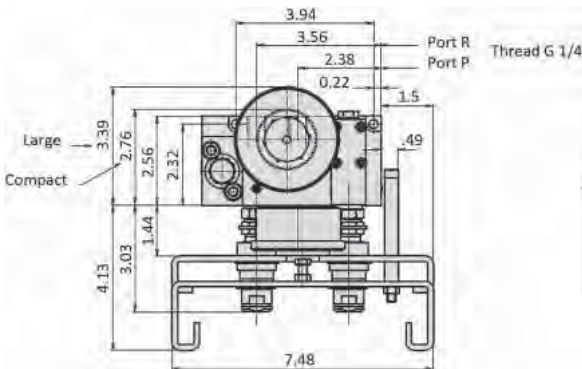
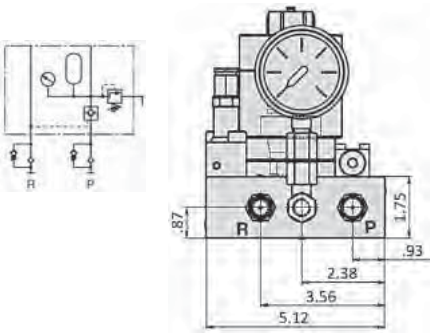
Sales — Phone (314) 647-6200 Fax (314) 647-5736
Engineering — Phone 1-800-827-2526 Web roemheld-usa.com

Pallet Decouplers

7250 psi max
Single or double acting



Single Acting or Double Acting
with Automatic Shutoff



- Allows disconnecting a single-acting fixture, a double-acting fixture, or a fixture with several individual clamping valves from its power source before machining
- Automatic shutoff using a pilot-operated check valve...no manual shutoff valve required!
- Compact assembly mounts easily on fixture
- Ideal for pallets and rotating fixtures where a fluid feed line is impractical
- Decoupler includes pilot-operated check valve, quick disconnects, accumulator, pressure gauge, and pressure-relief valve

POWER UNIT: A double-acting power unit with a four-button control switch (B1, B2, B3, B4) is required to use this pallet decoupler for either a single-acting fixture or a double-acting fixture. The power unit provides automatic shutoff capability, via the decoupler's pilot-operated check valve, and allows depressurizing both pressure hoses simultaneously for uncoupling. See table below for power-unit part number. This pallet decoupler can also be used where clamping is controlled by individual clamping valves on the fixture (3-way valves for single acting or 4-way valves for double acting). In that application, one constant-pressure hose and one return hose are connected to the decoupler, so any standard single-acting power unit can be used.

OPERATING SEQUENCE FOR UNCLAMPING/CLAMPING:

A) SINGLE-ACTING CYLINDERS
Operating sequence for **unclamping** with coupling for single-acting cylinders:

- 1) Remove dust cap and clean coupling parts, if necessary.
- 2) Connect coupler of quick-disconnect coupling in depressurized mode.
- 3) Open high-pressure shut-off valve.

Operating sequence for **clamping** with coupling unit for double-acting cylinders.

- 1) Coupler of quick-disconnect coupling is coupled and high-pressure shut-off valve is opened.
- 2) Actuate power unit until pressure gauge shows required clamping pressure.
- 3) Shut high-pressure shut-off valve.
- 4) Set pressure generator to unclamping position.
- 5) Disconnect coupler of quick-disconnect coupling and put into a safety support, if necessary.
- 6) Attach dust cap to coupling nipple and coupler.

B) DOUBLE-ACTING CYLINDERS
Operating sequence for **unclamping** with coupling unit for double-acting cylinders:

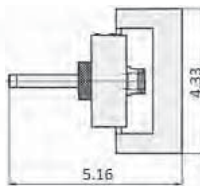
- 1) Remove dust cap and clean coupling parts, if necessary.
- 2) Connect multi-coupler in depressurized mode: For the purpose switch selector switch to "couple."
- 3) Switch selector switch to "unclamp."

Operating sequence for **clamping** with coupling unit for double-acting cylinders.

- 1) Multi-coupler is coupled.
- 2) Switch selector switch to "clamp." After pressure build up, the green lamp is signaled.
- 3) Set multi-coupler to depressurized mode: For the purpose switch selector switch to "couple."
- 4) Disconnect multi-coupler and put it into a safety support, if necessary.
- 5) Attach dust cap to coupling nipple and coupler.

SAFETY FEATURES: Pallet decouplers include an accumulator to compensate for pressure changes due to temperature variations. Important: use pallet decouplers only with **Roemheld** components, because all system components must be zero leakage. These decouplers are equipped with a pressure-relief valve to protect the fixture and the accumulator from extreme temperature increases. An optional safety support with a limit switch can be used to hold the double coupler after uncoupling, to ensure that the fixture is disconnected before moving.

Female Disconnect Double Coupler
(order separately)



Accumulator Size	Compact	Large
Maximum operating pressure (psi)	7250	7250
Minimum operating pressure (psi)	1800	1800
Accumulator volume at 7250 psi (cu. in.)	0.6	3.4
Accumulator volume at 1800 psi (cu. in.)	0.16	0.9
Accumulator gas preload (psi)	1450	1450
Weight (lbs)	9.6	13.5
Part No., Decoupler	CLR-9425-022-PD	CLR-9425-021-PD
Part No., Female Disconnect Double Coupler	CLR-9425-102-PDA	
Part No., Safety Support	CLR-0942-002-PDA	
Electric Power Unit, 7500 psi, 460V	CLR-939-EP	
Electric Power Unit, 7500 psi, 230V	CLR-839-EP	
Electric Power Unit, 5000 psi, 460V	CLR-940-EP	
Electric Power Unit, 5000 psi, 230V	CLR-840-EP	



Carr Lane Roemheld Mfg. Co.

Sales — Phone (314) 647-6200 Fax (314) 647-5736
Engineering — Phone 1-800-827-2526 Web roemheld-usa.com

Threaded Coupling Elements

7250 psi max



Manifold Mounted

- Very compact coupling units
- Flush mounting in uncoupled mode
- Ideal for pallet coupling with vertical guided connection
- Optional return line relief
- Two sizes with and without coupling against pressure

Depending on the version, the coupling elements can either be coupled in energized mode, or de-energized mode only. The operating mode depends on the type of sealing elements which are used and can be taken from the table below.

The max. positioning tolerances in axial and radial direction are indicated in the table below.

The sealing areas at the side of the coupling elements have to be cleaned before coupling, to ensure the tightness in coupled mode. We recommend to wash the elements and finally clean them with compressed air. Dust caps should be used as far as possible.

APPLICATION: Compared to other coupling elements the threaded coupling elements are very compact devices.

If the slide movement of the workpiece carrier is to be used or if a fixture is to be used or if a fixture is to be connected to the base plate without lines, the threaded nipple and the coupling mechanisms can be directly screwed into the parts which are to be connected. The coupling mechanisms have the advantage that they are flush-faced in uncoupled mode.

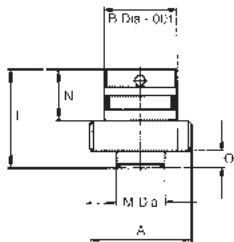
Flange-type housings are available to simplify the manufacture of the fixture mounting hole contours. In cramped conditions it is possible to make and install the flange-type housing retrospectively.

The fixture bodies which are to take up the coupling parts have to be guided .125 in. parallel before they are coupled.

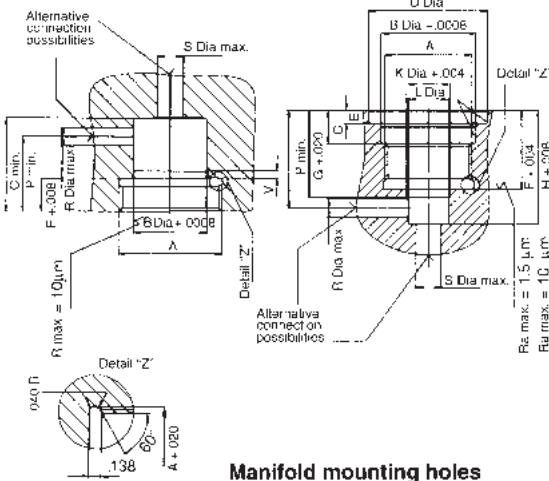
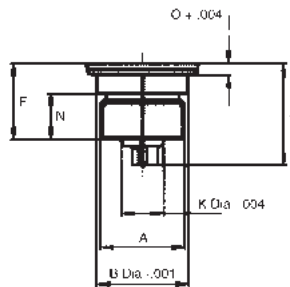
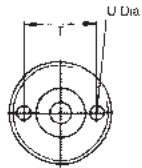
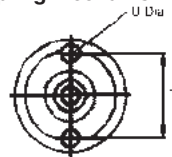
The axial forces which arise during the pressure build-up in coupled mode (see diagram) have to be absorbed outside the coupling parts.

The threaded nipples, which are installed into the tank lines, are equipped with a pre-loaded valve (VSV). The pre-loaded valve limits a possible pressure build-up in the return line, caused by internal leakage in the hydraulic clamping elements, to approx. 75 psi. In coupled mode the pre-loaded valve is not effective.

Threaded nipple



Coupling mechanism



Manifold mounting holes

Element	Coupling mechanism	Threaded nipple	Threaded nipple with VSV	Coupling mechanism	Threaded nipple	Threaded nipple with VSV
Nominal ID		3mm			5mm	
p. max./min.	7250/450	7250/450	7250/450	7250/450	7250/450	7250/450
A	M20x1.5	M24x1.5	M24x1.5	M24x1.5	M28x1	M28x1
B Dia	.8661	.7874	.7874	1.0236	.7874	.7874
C	.138	1.063	1.181	.354	.945	1.181
D Dia	—	—	—	1.280	—	—
E	—	—	—	.138	—	—
F	.846	.394	.394	.846	.335	.335
G	.925	—	—	.925	—	—
H	1.22	—	—	1.22	—	—
I	1.15	1.16	1.34	1.15	1.06	1.280
K Dia	.472	—	—	.472	—	—
L Dia	.441	—	—	.441	—	—
M Dia	—	.59	.268	—	.531	.531
N	.73	.65	.65	.51	.55	.77
O	—	.177	.177	.126	.177	.177
P	1.10	.827	.98	1.10	.81	.81
R Dia	.197	.197	.197	.197	.197	.197
S Dia	.276	.276	.276	.276	.276	.276
T	.630	.670	.670	.945	.787	.787
U Dia	.138	.138	.138	.197	.157	.157
V	—	2x15°	2x15°	1x15°	2x15°	2x15°
max. position tolerance (axial)	+0.020	+0.020	+0.020	+0.020	+0.020	+0.020
max. position tolerance (radial)	+/-0.004	+/-0.004	+/-0.004	+/-0.008	+/-0.008	+/-0.008

Can be coupled with or without pressure

Part No.	CLR-0460-725-TBC	CLR-0460-727-TBN	-	CLR-0460-735-TBC	CLR-0460-638-TBN	-
----------	------------------	------------------	---	------------------	------------------	---

Can only be coupled without pressure

Part No.	CLR-0460-730-TBC	CLR-0460-731-TBN	CLR-0460-728-TBN	CLR-0460-736-TBC	CLR-0460-740-TBN	CLR-0460-637-TBN
----------	------------------	------------------	------------------	------------------	------------------	------------------



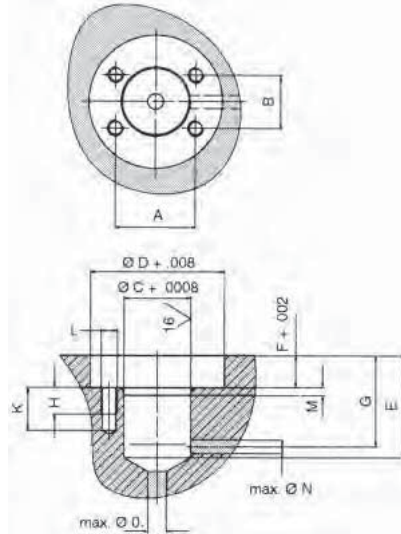
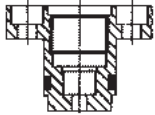
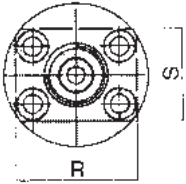
Carr Lane Roemheld Mfg. Co.

Sales — Phone (314) 647-6200 Fax (314) 647-5736

Engineering — Phone 1-800-827-2526 Web roemheld-usa.com

Threaded Coupling Elements

Optional Housing for Coupling Mechanism



Mounting dimensions

If it is not required that the housing is flush-fitting with the pallet, the D dia. can be omitted.

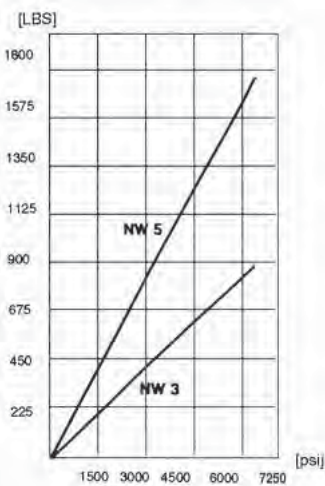
The depth dimensions are then shortened by dimension F.

In cramped installation conditions the housing can be milled according to dimensions R and S.

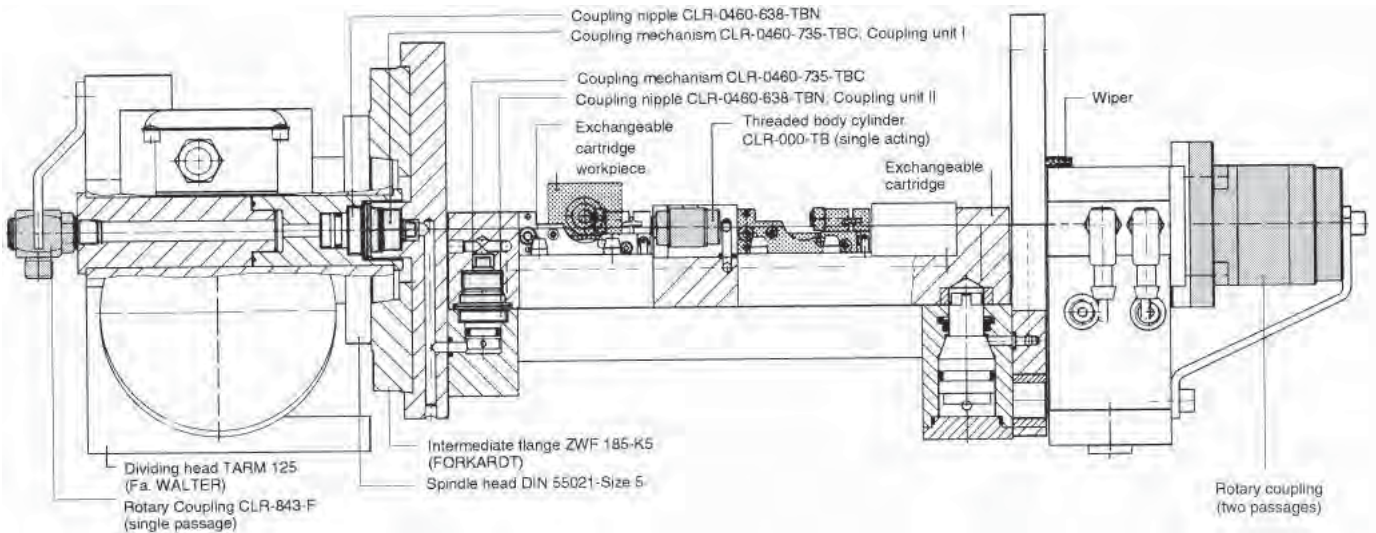
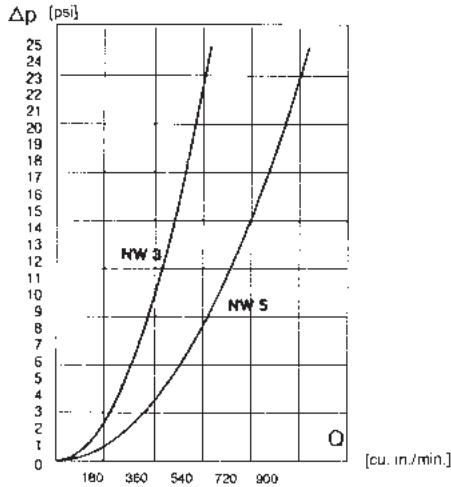
Housings for Coupling Mechanisms

Useable for	CLR-0460-725-TBC	CLR-0460-735-TBC
A	1.181	1.693
B	.787	.906
C Dia	0.9843	1.2598
D Dia	1.9685	2.5591
E	1.50	1.50
F	0.472	0.591
G min.	1.34	1.38
H	0.39	0.47
K	0.63	0.71
L	1/4-20	5/16-18
M	0.12x15°	0.12x15°
N Dia max.	0.197	0.24
P Dia	0.28	0.28
R	1.65	2.36
S	1.26	1.57
Part no.	CLR-0460-655-TBCH	CLR-0460-654-TBCH

Coupling force



Δp -Q characteristic line for kinetic viscosity from $53 \times 10^{-6} \text{m}^2/\text{s}$



Carr Lane Roemheld Mfg. Co.

Sales — Phone (314) 647-6200 Fax (314) 647-5736

Engineering — Phone 1-800-827-2526 Web roemheld-usa.com

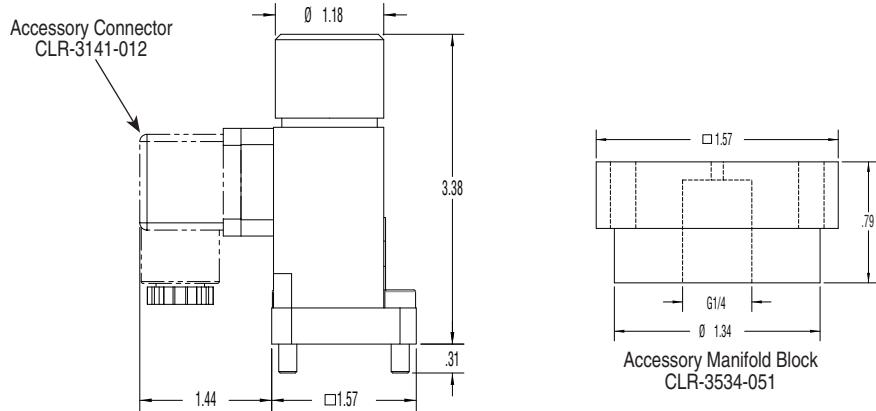
Pressure Switches ■ F9.732

Pressure Switches ■ Hydra-electrical signal converter ■ Pressure adjustment ranges ■ 75-1885 psi, 725-5075 psi & 725-7975 psi (5-130 bar, 50-350 bar & 50-550 bar)

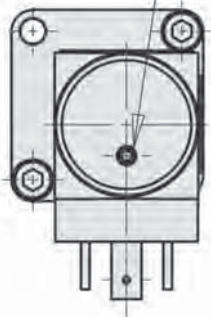


Hydra-electric pressure switches are devices which close or open electrical contacts under pressure. They are used to switch on or off pump motors, valves, machine tool interlocks or similar applications in power units, machines and installations. The switching point can be

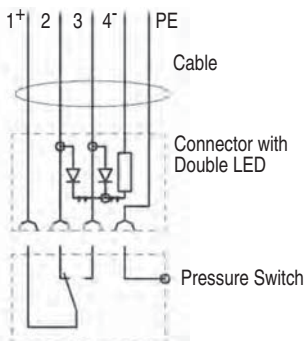
adjusted to the desired hydraulic pressure via a knurled knob. The knob can be locked in place by tightening a set screw. The installed microswitch is a change-over switch which can be connected as break or make contact. The electrical connector can be index 4 x 90°.



Locking Set Screw



Contact Layout



Switching Symbol
Connector with
Double LED
CLR-3141-802

Hydraulic characteristics			
Pressure adjustment range	725 - 7975 psi	725 - 5075 psi	75 - 1885 psi
Hysteresis	8 - 12% at 7250 - 3625 psi	8 - 12% at 4350 - 1450 psi	8 - 12% at 1450 - 435 psi
Part No., (switch only)	CLR-9730-500	CLR-9730-501	CLR-9730-502
Part No., (switch + CLR-3141-012 DIN connector)	CLR-9730-500-PS	CLR-9730-501-PS	CLR-9730-502-PS

Electrical characteristics	
Connection	DIN 43650 connector, form A
Switching element	Change-over switch
Max. load	4A at 250VAC; max 3.0A at 28VDC; min. 5mA
Code class (ED 60529)	IP 65

Technical characteristics	
Operating fluid	Hydraulic oil HLP 22, 32 and 46
Fluid temperature	max. 176 °F
Fluid connection	Manifold mounting or G1/4 with manifold block
Environmental temp.	-50 °F - 176 °F
Max. operating pressure	8700 psi
Vibration resistance	10 g (10 - 2000 Hz)
Shock resistance	30 g
Material	Housing: zinc diecasting Adjusting knob: aluminum (powder coated)
Seals	FKM
Weight	0.72 lbs
Mounting position	Any

Accessories	
Part No., Manifold block	CLR-3534-051
Part No., Connector DIN 43650, 4 x 90° indexable	CLR-3141-012
Part No., Connector with 1.97' cable	CLR-3141-928
Part No., Connector with 8.2' cable	CLR-3141-818
Part No., Connector with double LED and 9.84' cable	CLR-3141-802
Part No., Spare FKM O-ring	CLR-3001-147

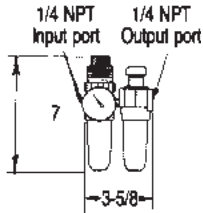
Subject to change. For further details, including detailed dimensions and mounting instructions, visit roemheld-usa.com.



Carr Lane Roemheld Mfg. Co.

Sales — Phone (314) 647-6200 Fax (314) 647-5736
Engineering — Phone 1-800-827-2526 Web roemheld-usa.com

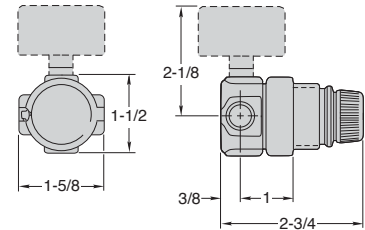
Air Filter/Regulator/Lubricator



CLR-100-FRL

Recommended for all incoming air-pressure lines (included with air power unit). Filter removes solid contaminants and water from the air supply. Lubricator provides an oil mist to lubricate the system. Regulator is essential to control input air pressure, and thereby control output fluid pressure.

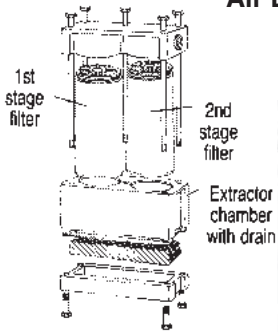
Fine Air-Pressure Regulator



CLR-200-FR

Miniature regulator for adjusting air pressure between 1 and 10 psi (30 psi gauge). Use with air-advanced work supports to finely adjust contact force. 1/4 NPT ports.

Air Extractor/Dryer



CLR-105F-AED

Effective extractor/dryer that removes air moisture and dirt to increase the life of air-powered components. Replace or clean 1st-stage filter yearly (part no. CLR-401-AEDA, black) Replace 2nd-stage filter every 4-6 months (part no. CLR-403-AEDA, red).

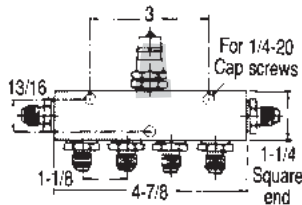
Air Flow-Control Valve



CLR-100-AFC

Simple valve to reduce air flow rates and reduce clamping speed. Release air pressure to adjust setting.

Fluid 6-Port Manifolds



CLR-106-F

(6) Male 37° fittings (1) Male quick disconnect

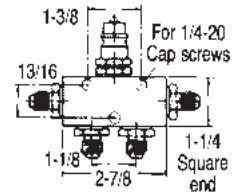
CLR-107-F

(7) Male 37° fittings

CLR-106-BP

(7) 1/4 BSPP ports, without fittings

Fluid 4-Port Manifolds



CLR-104-F

(4) Male 37° fittings (1) Male quick disconnect

CLR-105-F

(5) Male 37° fittings

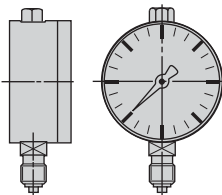
CLR-104-BP

(5) 1/4 BSPP ports, without fittings

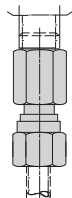
Fluid Pressure Gauges



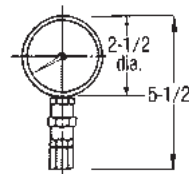
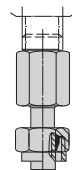
CLR-100-GA
Gauge only
without adaptor



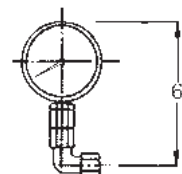
CLR-808-F
Female gauge adaptor
Compression type



CLR-9208-041-F
Male gauge adaptor
Compression type

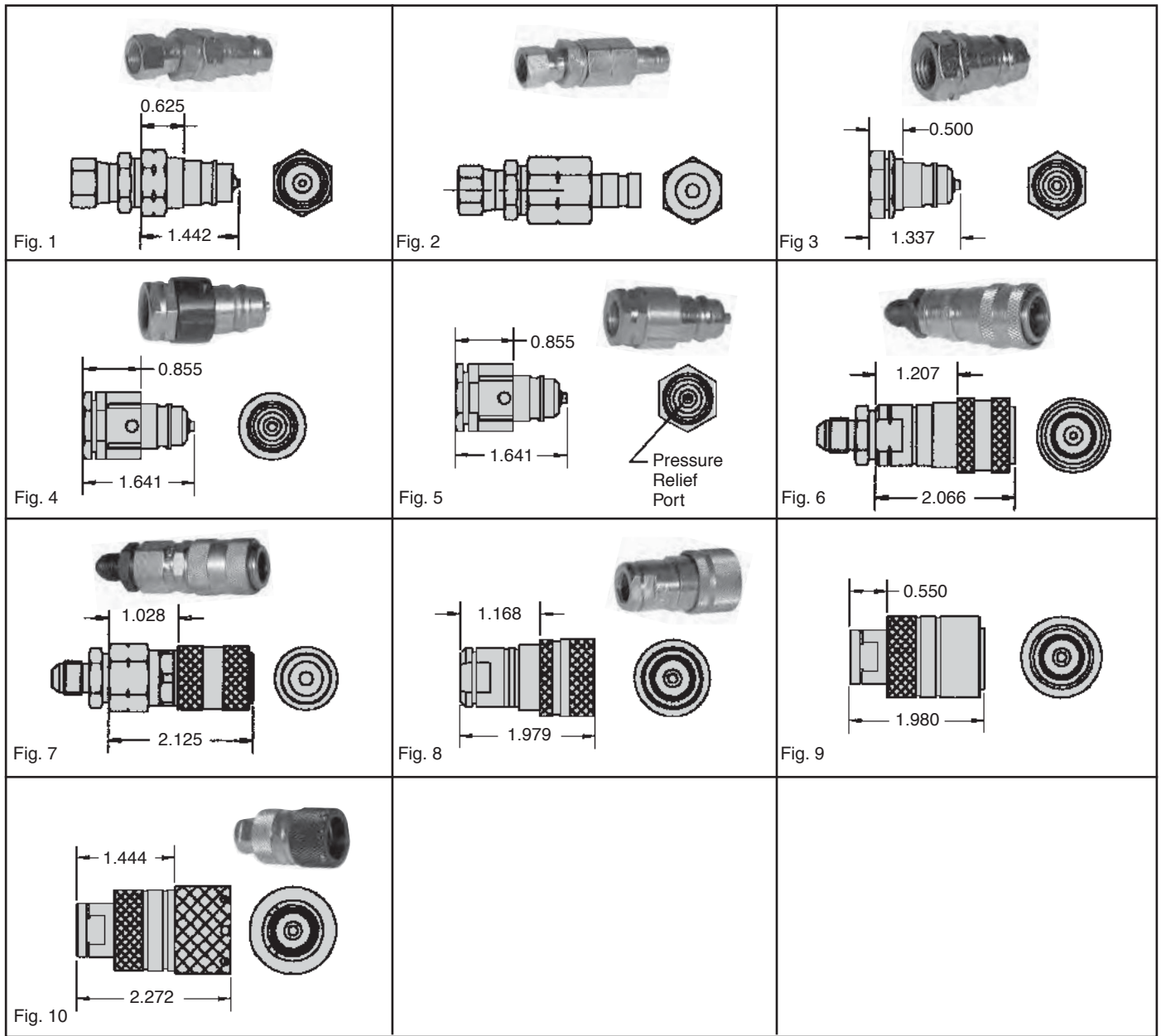


CLR-101-GA
Gauge with
Female 37° fitting



CLR-102-GA
Gauge with Elbow
Female 37° fitting

Quick Disconnects



Part No.	Figure	Comments	Compatibility
CLR-200-F	Fig #1	Standard Nipple	Fig #6
CLR-202-F	Fig #6	Pull Coupler Sleeve Back Insert On Nipple and Release. Reverse Action To Uncouple.	Fig #1
CLR-220-F	Fig #2	Non-Spill Nipple	Fig #7
CLR-222-F	Fig #7	Coupling - Hold Stem of Coupler and Push, To Uncouple Pull Back Sleeve.	Fig #2
CLR-9384-206-F	Fig #3	Heavy Duty Nipple	Fig #9
CLR-9384-100-F	Fig #8	Pull Coupler Sleeve Back Insert on Nipple and Release. Reverse Action To Uncouple.	Fig #3
CLR-9384-106-F	Fig #9	Push Coupler Sleeve on Nipple and Release. Reverse Action To Uncouple.	Fig #3
CLR-9384-7x7-F	Fig #4	* Color Coded Nipple with Alignment Pin Slots	Fig #10
CLR-9384-7x6-F	Fig #10	* Match Color and Alignment Pins. Pull Coupler Sleeve Back Insert on Nipple & Release. Reverse Action to Uncouple.	Fig #4 & 5
CLR-9384-727-F	Fig #5	White Coded Nipple with Alignment Pin Slots & VSV Valve	Fig #10

* Reference "X" in part number: 1 = Black, 2 = White, 3 = Red, 4 = Yellow, 5 = Green, 6 = Blue



Carr Lane Roemheld Mfg. Co.

Sales — Phone (314) 647-6200 Fax (314) 647-5736

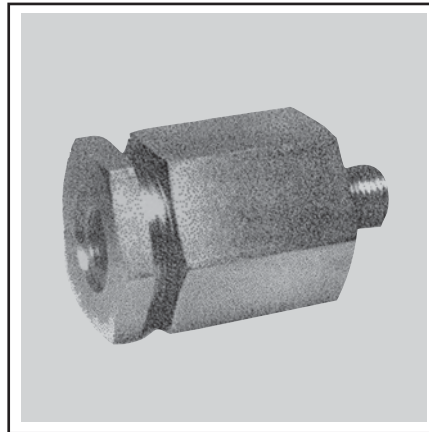
Engineering — Phone 1-800-827-2526 Web roemheld-usa.com

High Pressure Inline Filters

7250/3000 psi max



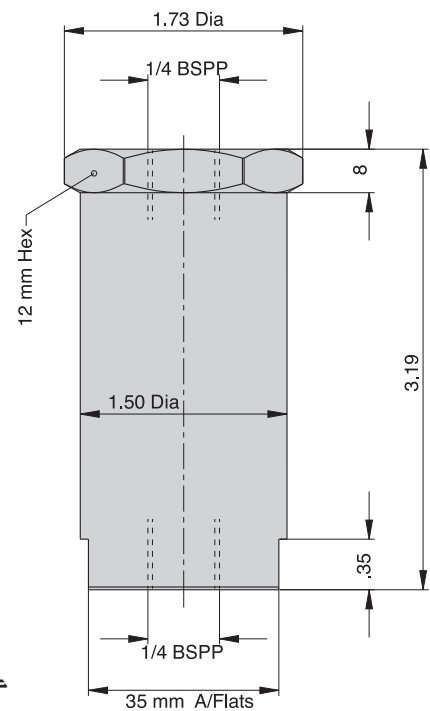
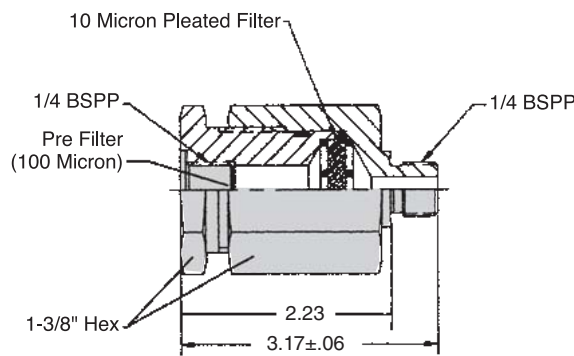
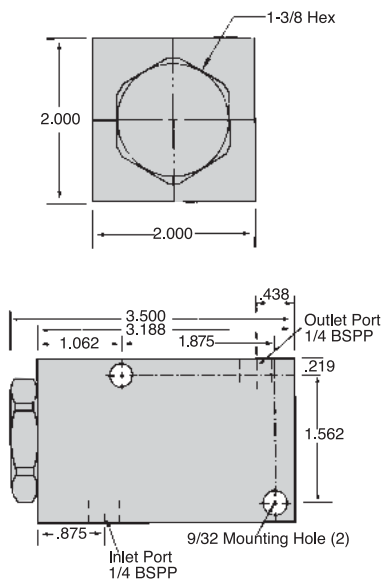
CLR-000-V



CLR-100-V



CLR-3887-087



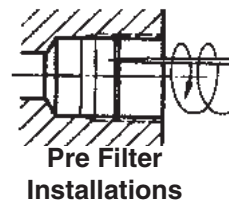
- Replaceable filter elements
- Simple and compact in design
- Easy to install on any new or existing system
- Do not use NPT fittings

OPERATION: Install the filter in the output line of the pump to provide filtration of the oil entering the system. The oil passes through the filter assembly from inlet port to outlet port.

CAUTION: Do not attempt to replace filter element with pressure in system.

Recommended mounting position is with filter body vertical, plug on the bottom. This mounting position allows contaminated filter elements to be changed without removing existing piping or tubing. Simply remove the end plug, spring, and spring retainer to get at the filter element.

CAUTION: Mounting position other than as recommended...remove entire filter assembly for servicing.



Max. Oper. Pressure (psi)	7250	7250	5000
Filter Rating (Nom. Filtration)	10 microns	10 microns	10 microns
Typical Flow Rate (cu. in./min.)	120*	230	120
Direction of Flow	Either direction	Either direction	Either direction
Material (Body)	Steel	Steel	Steel
Weight (lbs)	3	.75	1
Part No.	CLR-000-V	CLR-100-V	CLR-3887-087
Part No. of Filter Element	CLR-001-FIL	CLR-100-FIL	CLR-3887-061-FIL
Part No. of Pre-Filter	—	CLR-3887-009-FIL	—

*AP 35 psi across filter



Carr Lane Roemheld Mfg. Co.

Sales — Phone (314) 647-6200 Fax (314) 647-5736
Engineering — Phone 1-800-827-2526 Web roemheld-usa.com

Accessories

Fixture Hose

Standard Hose

Standard Hose with
Stainless Steel Armor Casing*

For stainless steel armor casing add "A"
at the end of the part number.
Example: CLR-HH-156-012-5J5JA

*Only available in 12 inch lengths and up.

Small-Diameter high-pressure hose perfect for workholding applications. Abrasion and chemical resistant outer cover with seamless nylon inner sleeve reinforced with synthetic yarn. Other lengths and diameters available upon request.

Nominal ID	0.156 in
Nominal OD	0.34 in
Min. bend radius	1.6 in
Burst pressure	25,520 psi
Temperature range	-40 to +150°F

Length	End Type
	#5 JIC
Part No., 9 inch	CLR-HH-156-009-5J5J
Part No., 12 inch	CLR-HH-156-012-5J5J
Part No., 15 inch	CLR-HH-156-015-5J5J
Part No., 18 inch	CLR-HH-156-018-5J5J
Part No., 24 inch	CLR-HH-156-024-5J5J

Tubing

Seamless heavy-wall tubing. C1010 steel, cold drawn, fully annealed. 5/16" OD, .065" wall thickness, 22,800 psi burst pressure. Do not use any other type of tubing. See next page for installation guidelines and tools (CLR-300-TL flaring tool is strongly recommended).

60" CLR-60-T

Heavy-Duty Hose



High-pressure hydraulic hose. 1/4" inside diameter. Reinforced with four plies of high-tensile wire, for remarkably little expansion under pressure. Fluid required due to expansion is only .066 cu. in. per foot at 7500 psi. 5" minimum bend radius. Two female ends, 5/16 JIC 37° flare, or straight tube ends for use with compression fittings.

NOTE! 10'-0" MAXIMUM
RECOMMENDED LENGTH

	JIC 37° flare	Compression Type
18"	CLR-18-H	CLR-18-H-CC
24"	CLR-24-H	CLR-24-H-CC
30"	CLR-30-H	CLR-30-H-CC
36"	CLR-36-H	CLR-36-H-CC
42"	CLR-42-H	CLR-42-H-CC
48"	CLR-48-H	CLR-48-H-CC
60"	CLR-60-H	CLR-60-H-CC
72"	CLR-72-H	CLR-72-H-CC

(Special lengths available)

Hydraulic Fluid



As per DIN 51524, HLP. Contains special additives for proper lubrication and corrosion protection. Use only SWIFTSURE fluid or an exact equivalent HLP 22: Shell Tellus® 22, Mobil DTE 22, or Chevron Hydraulic Oil AW ISO 22. **Fluid must be clean (10 micron or better nominal filtration) See also high pressure in-line filters.**





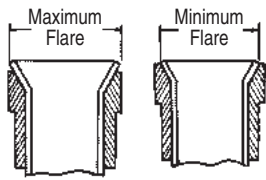
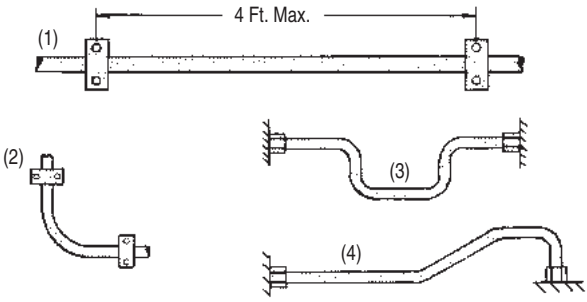
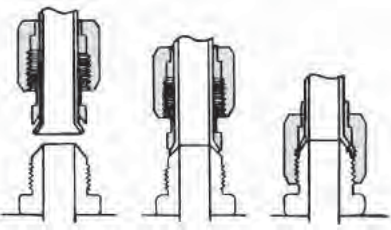
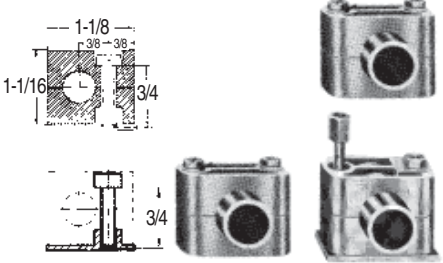
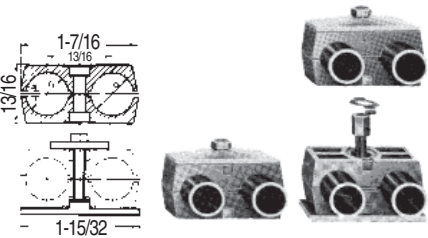
2 gal. CLR-2-FL



Carr Lane Roemheld Mfg. Co.

Sales — Phone (314) 647-6200 Fax (314) 647-5736
Engineering — Phone 1-800-827-2526 Web roemheld-usa.com

Tubing Installation

 <p>CLR-100-TL Tubing Cutter</p> <p>Cutting</p> <ol style="list-style-type: none"> 1. Use only steel tubing as specified on the previous page. 2. Cut tubing with a tubing cutter or hacksaw. 3. File or sand tubing end square. End must be square to achieve a proper flare. 	 <p>CLR-200-TL Deburring Tool</p> <p>Deburring and Cleaning</p> <ol style="list-style-type: none"> 1. Deburr both ID and OD with deburring tool. 2. Clean with solvent to remove chips, dirt and rust-preventative coating. Blow clean with an air line. 	 <p>CLR-400-TL Tubing Bender</p> <p>Bending</p> <p>Tools required:</p> <ul style="list-style-type: none"> - Tube bender (3/4" radius) - Vise <p>The Roemheld tube bender shown is a simple, effective bender we highly recommend. When bending tubing carefully avoid wrinkling, flattening or kinking the tube. Please note: complete flaring before bending.</p>
 <p>CLR-300-TL Flaring Tool</p> <p>Flaring</p>  <ol style="list-style-type: none"> 1. Place nut and sleeve over tube before flaring. 2. Place tube in flaring tool, approximately 1/8" above top of block. 3. Clamp assembled block in vise. 4. Center pin guide of flaring tool in tube. 5. Strike flaring tool 3-4 times with sharp hammer blow. Remove from block. 6. Inspect flare so that their outside diameters extend beyond the inner lip of the sleeve, but not beyond the sleeve's OD. 	 <p>Installation</p> <p>We recommend using tubing clamps as this will increase the life of the installation. Tubing clamps should be less than four feet apart (Figure 1) and bends should be supported also (Figure 2). Use bends as shown in Figures 3 and 4 instead of straight-line connections to prevent stressing the tubing.</p> <p>Important: Never use tubing lines as handles to lift fixtures.</p>	
 <p>Assembly</p> <ol style="list-style-type: none"> 1. Slide nut and sleeve on to flared tubing end and finger tighten. 2. Finish tightening with a wrench, 1/4 to 1/2 turn. <p>Note: Do not over torque.</p>	 <p>Single Tube Regular and Stack Mounting</p> <p>CLR-3300-892-TA Single clamp CLR-3300-600-TA Single mounting plate CLR-3300-225-TA Mounting screw CLR-3300-604-TA Stack-mounting screw CLR-3300-335-TA Stack-mounting clip</p>	 <p>Twin Tubes Regular and Stack Mounting</p> <p>CLR-3300-891-TA Twin clamp CLR-3300-607-TA Twin mounting plate CLR-3300-609-TA Washer CLR-3300-225-TA Mounting screw CLR-3300-613-TA Stack-mounting screw CLR-3300-615-TA Stack-mounting clip</p>

















Subject to change. For further details, including detailed dimensions and mounting instructions, visit roemheld-usa.com.



Carr Lane Roemheld Mfg. Co.

Sales — Phone (314) 647-6200 Fax (314) 647-5736
Engineering — Phone 1-800-827-2526 Web roemheld-usa.com

Fittings

Hydraulic Compression Fittings (7250 psi static)											
Port Fitting - Male			Banjo Elbow			Branch Tee			Union		
											
5/16 Tubing	G 1/4	CLR-802-F									
	G 1/8	CLR-805-F									
1/4 Tubing	G 1/4	CLR-806-F	5/16 Tubing	G 1/4	CLR-803-F	5/16 Tubing	G 1/4	CLR-804-F	5/16 Tubing	CLR-701-F	
	G 1/8	CLR-826-F	1/4 Tubing	G 1/4	CLR-823-F**	1/4 Tubing	G 1/4	CLR-824-F	1/4 Tubing	CLR-721-F	
Elbow			Tee			Cross			Stand Pipe Union		
											
5/16 Tubing	CLR-702-F		5/16 Tubing	CLR-703-F		5/16 Tubing	CLR-704-F				
1/4 Tubing	CLR-722-F*		1/4 Tubing	CLR-723-F*		1/4 Tubing	CLR-724-F*		5/16 Tubing	G 1/4	CLR-9208-018-F
Nut			Sleeve			Tube Adaptor			Port Reducer		
											
5/16 Tubing	CLR-800-F		5/16 Tube	CLR-801-F		1/4 tube to	CLR-606-F		G1/4 to G1/8	CLR-3613-003-F	
1/4 Tubing	CLR-820-F		1/4 Tube	CLR-821-F		5/16 tube			G1/2 to G1/4	CLR-3613-015-F	
Air-Vent Fittings 250 psi air											
Barbed for 3/16 ID Hose			Barbed for 1/4 ID Hose			Vent Fitting			Vent Fitting - Metal Filter		
											
M5 Port	CLR-805-AF		M5 Port	CLR-3890-091-AF					G1/8 Port	CLR-0361-012-F	
G1/4 Port	CLR-815-AF		G1/8 Port	CLR-806-AF					G1/4 Port	CLR-0361-000-F	
			G1/4 Port	CLR-3890-093-AF		G1/4 Port	CLR-817-AF		G1/2 Port	CLR-0361-006-F	

*Max 6600 psi

**Max 6000 psi




















Carr Lane Roemheld Mfg. Co.

Sales — Phone (314) 647-6200 Fax (314) 647-5736

Engineering — Phone 1-800-827-2526 Web roemheld-usa.com

Fittings

Hydraulic 37° Flare Fittings (7250 psi static)

Tube End		Nut Elbow		Branch Tee		Run Tee		
								
5/16 Tubing	CLR-400-F	5/16 Tubing	CLR-402-F	5/16 Tubing	CLR-403-F	5/16 Tubing	CLR-404-F	
1/4 Tubing	CLR-420-F	1/4 Tubing	CLR-422-F	1/4 Tubing	CLR-423-F	1/4 Tubing	CLR-424-F	
Union			Elbow		Tee		Cross	
 Male								
 Female (1.75 in. Flare to Flare)								
5/16 Tubing	Male	CLR-301-F	5/16 Tubing		CLR-302-F		5/16 Tubing	
1/4 Tubing	Male	CLR-321-F	1/4 Tubing		CLR-322-F		1/4 Tubing	
5/16 Tubing	Female	CLR-401-F	5/16 Tubing		CLR-303-F		5/16 Tubing	
1/4 Tubing	Female	CLR-421-F	1/4 Tubing		CLR-323-F		1/4 Tubing	
5/16 Tubing		CLR-501-F	5/16 Tubing		5/16 Tubing	CLR-502-F	5/16 Tubing	
1/4 Tubing		CLR-521-F	1/4 Tubing		1/4 Tubing	CLR-522-F	1/4 Tubing	
1/4 Tubing		CLR-521-F	1/4 Tubing		1/4 Tubing	CLR-522-F	1/4 Tubing	
Cap		Port Fitting Female		Tube Plug		Nut 45		
								
5/16 Tubing		5/16 Tubing		5/16 Tubing		5/16 Tubing		
1/4 Tubing		1/4 Tubing		1/4 Tubing		1/4 Tubing		
1/4 Tubing		1/4 Tubing		1/4 Tubing		1/4 Tubing		
Banjo Elbow		Port Fitting Male		Port Plug		Double Port		
								
5/16 Tubing		5/16 Tubing		G 1/8 Port		G 1/4 Port		
1/4 Tubing		1/4 Tubing		G 1/4 Port		G 1/4 Port		
1/4 Tubing		1/4 Tubing		G 1/2 Port		G 1/4 Port		
1/4 Tubing		1/4 Tubing		G 1/2 Port		G 1/4 Port		

*Max. 6600 psi.



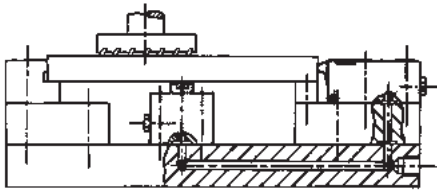
Carr Lane Roemheld Mfg. Co.

Sales — Phone (314) 647-6200 Fax (314) 647-5736

Engineering — Phone 1-800-827-2526 Web roemheld-usa.com

Manifold Mounting

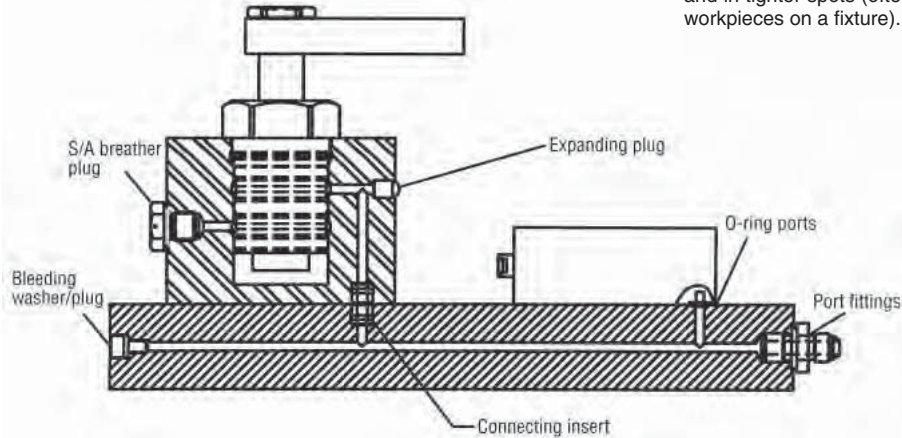
Benefits



- Eliminates tubing or hoses from working area
- Very close mounting of clamps
- Only one fluid feed line
- No traps for chips due to "clean" design
- Do not use NPT fittings

Many Roemheld components can be manifold mounted... powered directly through fluid passages drilled in a fixture. This unique mounting capability eliminates tubing and hoses in the working area, for clean fixtures without chip traps. Even fluid passages longer than your drilling capacity are possible by drilling shorter passages in separate blocks, then connecting them using connecting inserts.

Perhaps most important, manifold mounting lets you put clamps and work supports closer together and in tighter spots (often letting you place more workpieces on a fixture).

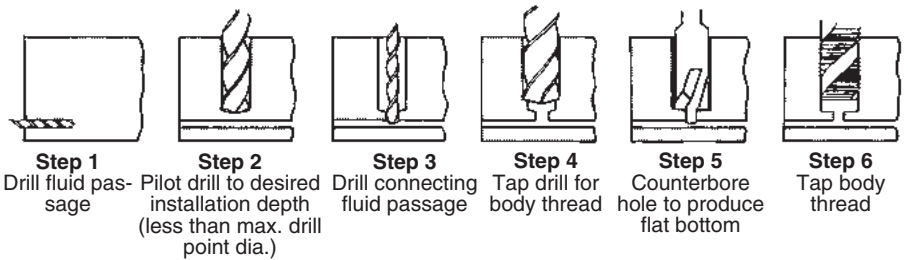


Installation Steps

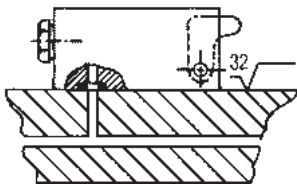
Installing Threaded Body Components

For easiest installation, we recommend the following procedure (Step 1 through 6). For proper sealing, the tapped hole's bottom must be flat, with a surface finish 125 RMS or better, and perpendicular to the hole's axis. A small drill-point is allowable (see component's catalog page for dimensions). A delrin sealing washer for the hole bottom is furnished with each component. **Do not use sealing compound or teflon tape.** Part numbers to order bottoming taps:

- 1-1/4 — 16 CLR-512-TL
- 1-1/2 — 16 CLR-515-TL
- 1-7/8 — 16 CLR-518-TL



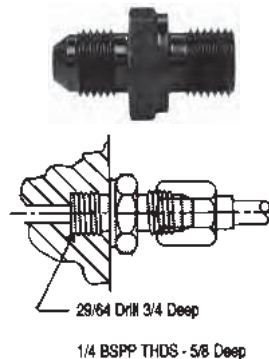
Installing Components with O-Ring Ports



Mounting surface should be ground flat with a 32 RMS or better surface finish, so that the O-ring seals properly. Torque mounting screws evenly. **Do not use sealing compound or teflon tape.**

Order Extending Clamps, Swing Clamps, and Sequence Valves by a different part number for manifold mounting (O-rings are included, and no port plugs are needed). Edge Clamps and Block Work Supports are easily converted to manifold mounting (order o-ring CLR-3000-343-SW and CLR-810-F port plug).

Port Fittings



CLR-807-F
1/4 BSPP Port Fitting
Standard port fitting found in virtually all Roemheld components. To use for custom manifolds, order special bottoming tap for installation, part number CLR-514-TL. Drill, tap (5/8-inch minimum depth) and spotface. **Do not use sealing compound or teflon tape.**

CLR-902-F
1/2-20 Port Fitting
Port fitting for custom manifolds. Install using a standard 1/2-20 tap. Drill, tap (5/8-inch minimum depth) and spotface. **Do not use sealing compound or teflon tape.**

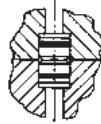
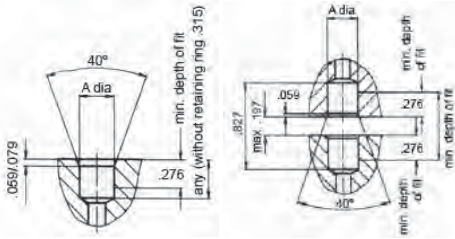
Manifold Mounting

Benefits

Connecting Plates Together



Connecting Inserts are used to provide a leak-free connection when a fluid passage goes through two separate sections of a fixture. The insert has two O-ring seals to provide leak-free sealing. Choice of two insert lengths: short (for flush connections) and long (for connections with a gap of up to .197"). Do not use sealing compound or teflon tape. Made from steel, with FKM O-rings. **For removable plates consider flush faced coupling elements CLR-0460-735-TBC and CLR-0460-638-TBN.**

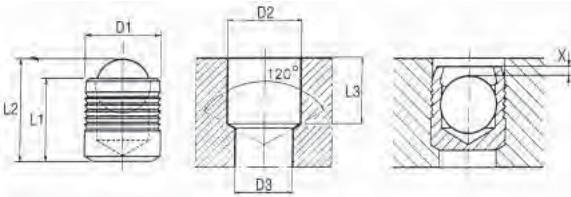


Type	Short	Long-Metric	Long-USA
Max. operating pressure	7250 psi	7250 psi	7250 psi
A dia.	.3937/.3943	.3937/.3943	.3750/.3756
Insert length	.551	.748	.748
Max. misalignment of holes	.002	.004	.004
Part No.	CLR-9210-132	CLR-9210-127-F	CLR-901-F

Plugging Drilled Passages



Expanding Plugs are used to plug the end of an oil channel. Each plug consists of a ball mounted into a sleeve which, when installed, expands and seals to the inner bore of the hole. Installation consists of preparing the hole, inserting the plug, and striking the ball to expand the sleeve. Do not use sealing compound or tape. Please consider using bleed screws instead of expanding plugs in some holes. This allows bleeding of the drilled channels.

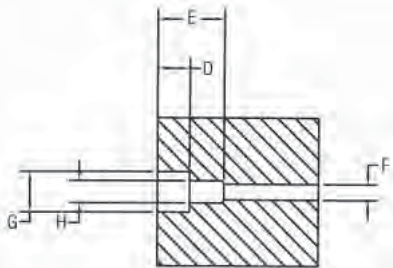


Size	1	2	3
D1	.236	.315	.394
D2 +0.004, -0.0	.236	.315	.394
D3 max.	.208	.291	.37
L1	.256	.335	.433
L2	.339	.461	.598
L3 min.	.248	.327	.425
X +/-0.008	.016	.012	.016
Part No.	CLR-916-F	CLR-906-F	CLR-926-F
Installation Tool for Expanding Plug	CLR-HT-MBM-060	CLR-HT-MBM-080	CLR-HT-MBM-100

Hydraulic Bleeding



Some drilled oil passages should have the ability to be opened for fixture bleeding. By using a sealing washer and plug, air in oil passages can be released. This is only recommended for small holes. Larger holes should be prepared to accept larger threaded plugs like CLR-810-F.



Size	1	2
D	.197	.276
E	.404	.67
F	.16	.24
G	.325	.441
H	M4	M6
Part No., Washer	CLR-3001-713-F	CLR-3000-779
Part No., Bolt	CLR-3300-357-F	CLR-3300-223-F

Air Venting - Single Acting Elements



When using Single Acting cylinders or work supports, it is important to vent the spring volume to a clean environment. If this is not done, coolant and chips can be sucked into the element during the return stroke.

Port size	G 1/8	G 1/4	G 1/2
Part No., Filter Plug	CLR-0361-012-F	CLR-0361-000-F	CLR-0361-006-F

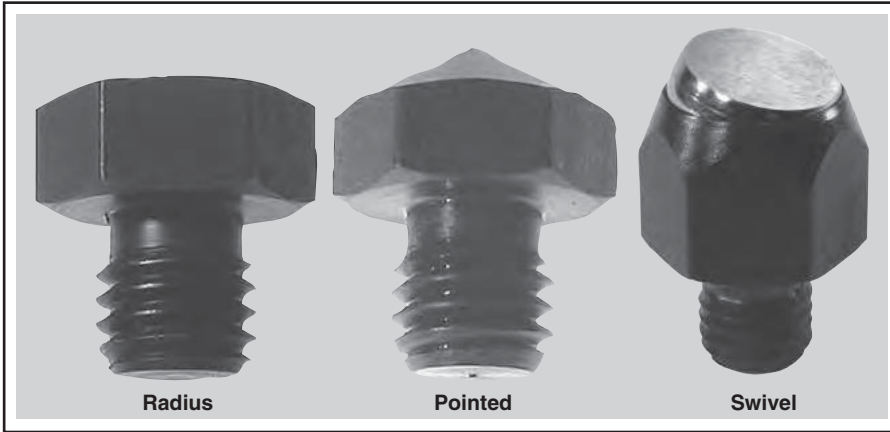


Carr Lane Roemheld Mfg. Co.

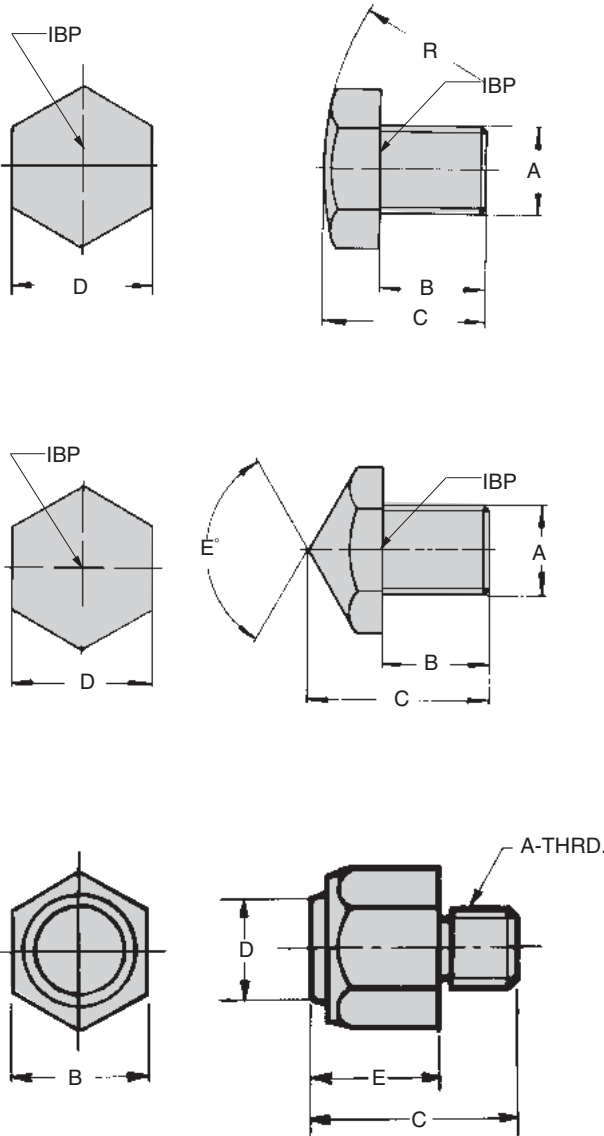
Sales — Phone (314) 647-6200 Fax (314) 647-5736

Engineering — Phone 1-800-827-2526 Web roemheld-usa.com

Contact Bolts



- Radius contact bolt for most applications
- Pointed contact bolt for clamping in holes, and point clamping
- Swivel contact bolt distributes clamping force to prevent marring
- 1144 steel, hardened 50-60 RC



Radius

Part No.	A	B	C	D Hex	R Radius
CLR-401-CB	1/4-20	1/4	3/8	7/16	25/32
CLR-400-CB		3/8	25/32		
CLR-404-CB	5/16-18	5/16	1/2	1/2	1
CLR-402-CB		3/8	25/32		
CLR-403-CB	3/8-16	1/2	7/8	9/16	1-3/8
CLR-405-CB	1/2-13	1/2	7/8	3/4	1-3/4
CLR-406-CB	5/8-11	25/32	1-3/16	15/16	2-3/8
CLR-408-CB	3/4-10	1	1-3/8	1-1/8	2-3/8
CLR-409-CB	1-8	1-3/16	1-27/32	1-1/2	3-15/16
CLR-3614-027-CB	M5	.35	.75	8mm	.79
CLR-3614-039-CB*	M6	.24	.37	10mm	.79
CLR-3614-016-CB		.39	.79		
CLR-3614-038-CB*	M8	.31	.51	13mm	.98
CLR-3614-001-CB		.39	.79		
CLR-3614-002-CB	M10	.47	.87	17mm	1.38
CLR-3614-028-CB	M12	.47	.87	19mm	1.77
CLR-3614-015-CB	M20	.98	1.38	30mm	2.36
CLR-3614-018-CB	M30	1.38	2.13	46mm	3.94
CLR-3614-019-CB	M42	1.77	2.80	65mm	5.51
CLR-3614-020-CB	M48	2.36	3.54	75mm	9.84

* These sizes are not heat treated.

Pointed

Part No.	A	B	C	D Hex	E°
CLR-413-CB	1/4-20	1/4	3/4	7/16	90
CLR-414-CB	3/8-16	1/2	1-1/16	9/16	90
CLR-415-CB	1/2-13	1/2	1	3/4	120
CLR-416-CB	5/8-11	25/32	1-3/8	15/16	120
CLR-417-CB	3/4-10	1	1-9/16	1-1/8	120
CLR-418-CB	1-8	1-3/16	1-31/32	1-1/2	120
CLR-3614-033-CB	M5	.35	.63	8mm	120°
CLR-3614-068-CB		.24	.71		
CLR-3614-032-CB	M6	.39	.87	10mm	90°
CLR-3614-069-CB		.31	.87		
CLR-3614-021-CB	M10	.47	1.06	17mm	90°

Swivel

Part No.	A Dia	B Hex	C	D Dia	E
CLR-420-CB	5/16-18	9/16	.82	13/32	1/2
CLR-421-CB	3/8-16	13/16	1.29	19/32	13/16
CLR-422-CB	1/2-13	7/8	1.23	5/8	13/16
CLR-423-CB	5/8-11	1-1/16	1.61	13/16	1
CLR-3614-228-CB	M6	11mm	21mm	7.2mm	13mm
CLR-3614-072-CB	M8	11mm	21mm	7.2mm	13mm
CLR-3614-073-CB	M10	17mm	28mm	10.5mm	18mm
CLR-3614-074-CB	M12	17mm	30mm	10.5mm	18mm

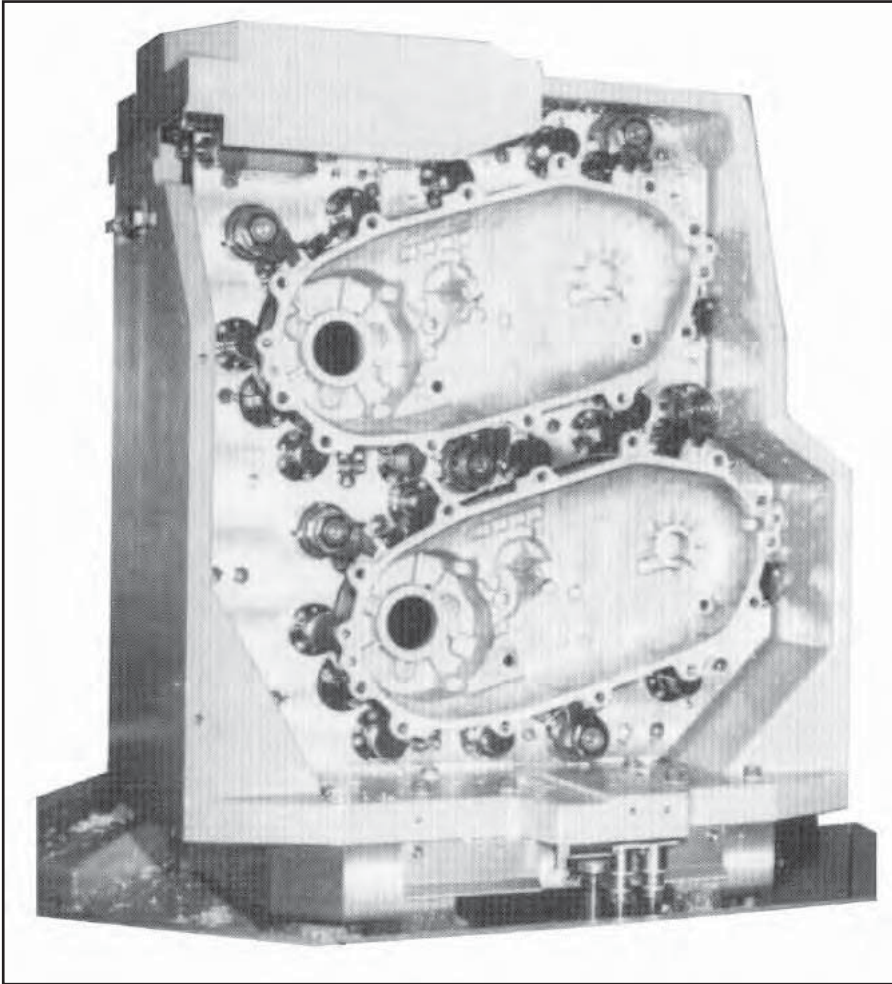


Carr Lane Roemheld Mfg. Co.

Sales — Phone (314) 647-6200 Fax (314) 647-5736

Engineering — Phone 1-800-827-2526 Web roemheld-usa.com

Application Example



Two-sided Palletized Fixture for Machining Both Sides of an Aluminum Housing

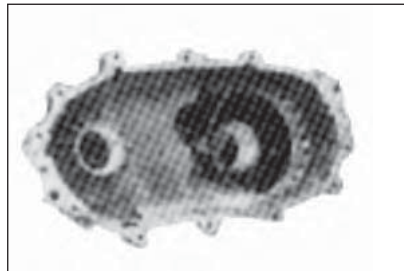
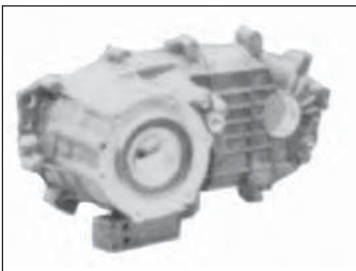


Cartridge/Manifold-Mounted Swing Clamps
(See Swing Clamps section)

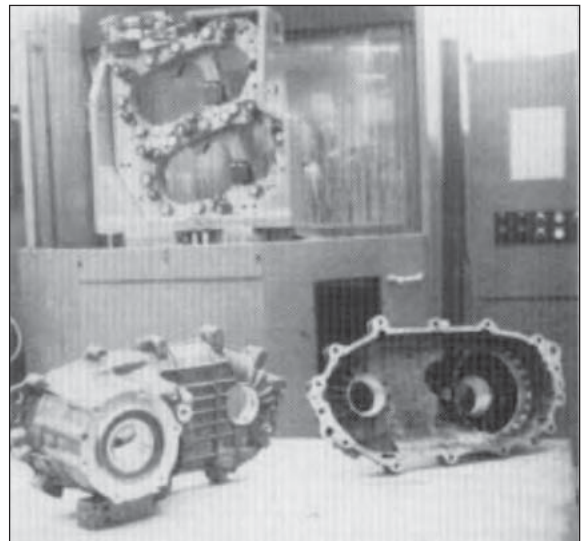


Fluid-Advanced Work Supports
(See Work Supports section)

Palletized fixture holds two aluminum castings, allowing complete machining of both sides with only one setup. The fixture uses manifold-mounted Swing Clamps and Work Supports. Fluid is supplied through passages in the vertical fixture plate, so the fixture is free of tubing lines.



Both faces of the workpiece (above) are machined with one setup. Vertical fixture plate has cutouts (see photo at right) to allow access from both sides. Product designers integrated special clamping areas into the casting for easier fixturing.



Carr Lane Roemheld Mfg. Co.

Sales — Phone (314) 647-6200 Fax (314) 647-5736

Engineering — Phone 1-800-827-2526 Web roemheld-usa.com



Assembly and Handling Technology

Modular Units ■ Application and combination examples

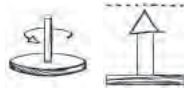
Lifting module operated by foot pedal with rotating module vertical axis



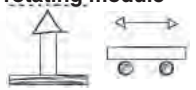
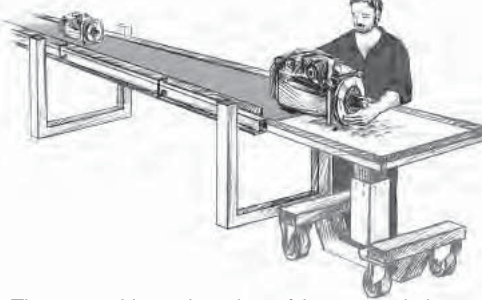
Here a complex hydraulic subassembly requires access to 5 sides during the installation of its components.

The employee can rotate the workpiece 360° in both directions about the vertical axis of this rotating module. Now the employee can select the most ergonomic position via manual or electric operation. Model versions with indexing are available too; standard index angles are 45°, 60°, 90°, 120°.

The appropriate working height is adjusted by the foot pedal of the self-contained hydraulic lifting module.



Lifting module operated by hand pendant with rotating module horizontal axis



The assembly and testing of heavy workpieces such as axial piston machines is carried out at many stations. Transfer from station to station is made easy by fastening a tabletop plate to a hydraulic lift module that is mounted on top of a cart module.

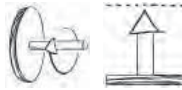
Applying the brake on the cart module locks the unit in place. The operator can easily raise or lower the tabletop by pumping the foot pedal of the hydraulic lifting module.

Lifting module operated by hand pendant with rotating module horizontal axis



Multi-shift organizations know that every shift change also ushers in the change of each and every employee's size and ability. Modular combinations adapt to such changes and this one is composed of two modules: electric lift and horizontal-axis rotating. The electric lifting module effortlessly adjusts to an employee's height via a hand

or foot push-button pendant. The horizontal-axis rotating module does just what its name implies; it spins a workpiece about its horizontal axis. It has 360° of rotation in both directions. Push or pull your workpiece to rotate the version without indexing or automatically index to your next position using the hand-lever or foot-pedal versions.



Lifting module operated by foot pedal with tilting module and rotating module vertical axis



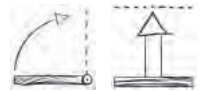
Optimum assembly of car seats requires the ability to quickly and easily move the seat into different positions. This modular combination allows the employee to raise, lower, rotate and tilt the seat. The tilting module is equipped with a pneumatic balancer that counteracts almost all of the tilting torques. This means very little force is required of the employee to tilt heavy objects.

Electrically operated lifting module in sync



Assembly of truck axles is carried out by two employees at the same time. Components are installed and fastened from above as well as from both ends. The working height is adjusted via a foot pendant that controls two synchronized electric lifting modules. The synchronized lifts guarantee a level work surface throughout the entire stroke. The lifting modules are mounted to a floor module to improve stability.

Lifting module operated by foot pedal with tilting module



Here the employee is carrying out the final assembly of an electric motor followed by a series of tests.

The working height is adjusted by the foot pedal of the hydraulic lifting module. The tilting module mounted on top of the lifting module allows the employee to tilt the motor back and forth by 90°. The integrated pneumatic-counterbalance feature makes tilting the motor a nearly effortless task.

Subject to change. For further details, including detailed dimensions and mounting instructions, visit roemheld-usa.com.



Carr Lane Roemheld Mfg. Co.

Sales — Phone (314) 647-6200 Fax (314) 647-5736
Engineering — Phone 1-800-827-2526 Web roemheld-usa.com



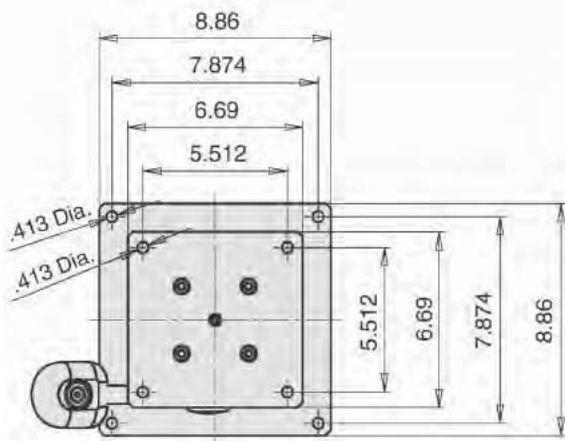
- Self-contained units for lifting and height adjustment
- Single-pedal operation for sensitive, controlled lifting
- Square column resists torsional loads
- Choice of five stroke lengths, up to 23.62 inches
- To descend the lifting unit a maximum of 10% of Fz max. load is required
- The center of gravity should be within the traverse of the mounting bolts

OPERATION: Raise and lower unit using the same lever. Pump foot lever down 45 degrees to raise platform. To lower unit, lift lever 10 degrees to release pressure.

PRESSURE RELIEF: If pumping continues after reaching full height extension, pressure relieves automatically and returns fluid to the reservoir.

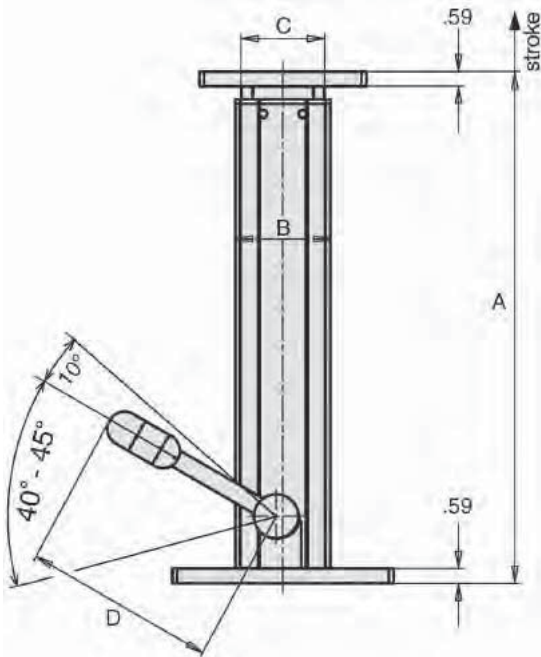
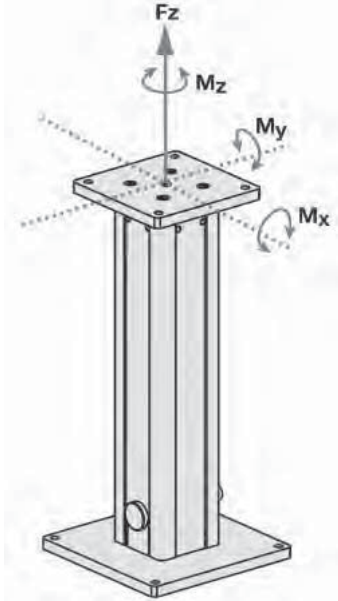
MOUNTING: Tapped holes in top and bottom plates allow attaching custom bases and tables.

CONSTRUCTION: Square column is made from anodized aluminum. Top and bottom mounting plates are black anodized aluminum. The operating lever is steel with bright zinc plating, with a molded plastic foot pedal.



MAXIMUM TORQUE LOAD: In the case of eccentric loads, it is recommended to compensate these by counterweights. In off-position the indicated maximum torques may occur.

The forces and torques have to be considered by the operator. During the lifting motion only 50% of the maximum values are admitted.



Fz lifting capacity with centered load	225 lbs	450 lbs	900 lbs	1350 lbs	1350 lbs	
Pump motions per 3.94 in. of stroke	8	8	8	10	10	
Fully Extended Height Stroke + A	Stroke	A	Stroke	A	Stroke	A
	7.87	16.54	7.87	16.54	7.87	20.47
	11.81	20.47	11.81	20.47	11.81	24.41
	15.75	24.41	15.75	24.41	15.75	28.35
	19.69	28.35	19.69	28.35	NA	NA
23.62	32.28	23.62	32.28	NA	NA	
B Sq	3.82		5.91		5.91	
C Sq	3.35		5.24		NA	
D	7.7		11.7		11.3	
Mx/y (Max. Torque Load)	74 ft. lbs.		369 ft. lbs.		590 ft. lbs.	
Mz (Max. Torque Load)	37 ft. lbs.		221 ft. lbs.		295 ft. lbs.	
Part No.	CLR-8910-01-X0-H		CLR-8915-0X-X0-H		CLR-8919-06-X0-H	
	Stroke		Max. Lift Force		Stroke	
	2=7.87		2=450 lbs.		2=7.87	
	3=11.81		4=900 lbs.		3=11.81	
	4=15.75		6=1350 lbs.		4=15.75	
5=19.69		Stroke		5=19.69		
6=23.62		2=7.87		6=23.62		
		3=11.81				
		4=15.75				
		5=19.69				
		6=23.62				



CARR LANE ROEMHELD MFG. CO.

Sales — Phone (314) 647-6200 Fax (314) 647-5736

Engineering — Phone 1-800-827-2526 Web www.clrh.com

CARR LANE ROEMHELD GUARANTEE OF QUALITY

Carr Lane Roemheld components are carefully designed, manufactured, inspected, and individually tested prior to shipment. In the unlikely case you find a defect in materials or workmanship within 6 months after receipt, we will promptly repair or replace the component, in accordance with our Limited Warranty below. Our liability is limited to replacement of the part and this warranty does not apply to altered or misapplied products.

Limited Warranty

Seller warrants that the product described herein will be free from defects in material and workmanship. If any failure to conform to this warranty be found within six (6) months, from date of receipt of the product by Buyer, and Seller is given immediate notification thereof, Seller, upon being satisfied of the existence of such nonconformity, will correct the same by replacement of the defective product or making suitable repairs. If the Seller is unable to correct such nonconformity by replacement of the product or making suitable repairs, whether due to the nature of such nonconformity, the use made by the Buyer of the product, or for any other reason, it will return to Buyer the price set forth herein, or where appropriate, the unit price for such number or quantity of products as shall have such nonconformity which Seller is unable to correct, upon Seller's receipt of the nonconforming product f.o.b. its plant; provided, however, no product shall be returned to Seller without its express written consent; and provided further that such receipt of any nonconforming product will not be required where it is no longer possible for Buyer to return the same to Seller. In no event shall Seller be liable to Buyer, either directly or by way of contribution or indemnity, for direct, special, incidental or consequential damages such as, but not limited to, property damage, loss of profit, damages based on loss of use of the product, or damages for cover, whether the claim for any such damages be based on warranty, express or implied, contract, tort, or otherwise. THE FOREGOING IS SELLER'S SOLE WARRANTY WITH RESPECT TO THE PRODUCT. SELLER MAKES NO OTHER WARRANTIES, EXPRESS OR IMPLIED, INCLUDING IMPLIED WARRANTIES OF MERCHANTABILITY AND FITNESS FOR A PARTICULAR PURPOSE.

Find Us Online!

www.carrlane.com

[Twitter](#)
[Facebook](#)
[LinkedIn](#)
[Add to Favorites](#)
Distributor Login



314-647-6200
info@carrlane.com



PRICING & AVAILABILITY



SEARCH CAD DRAWINGS



COMPARE PRODUCTS



Go Lean With CarrLock System

*Changeability from job to job in seconds.
Exclusively Made In The USA*

PRODUCT CATALOG
ENGINEERING RESOURCES
CUSTOMER SERVICE
ABOUT CARR LANE
HOME

Carr Lane Manufacturing - Your Source For Tooling Components

Carr Lane Manufacturing is recognized as a world leader for standard tooling components used by virtually every industry around the globe.

Known primarily for jig & fixture components, Carr Lane Manufacturing offers more than 100,000 products including quick change tooling plates & accessories, hoist rings, toggle clamps, handles, knobs, ball & spring plungers, threaded inserts, clamp straps, drill bushings, alignment pins, fixture bases, & power workholding devices. We proudly make the majority of what we sell at our two American plants located in St. Louis, MO, and Austin, TX.

With world headquarters located in St. Louis, Missouri, USA, Carr Lane Manufacturing provides a selective distributor network that is made up of the very best industrial distributors in the US and around the world. Through our vast distributor network, our customers receive the very best in personalized service, product expertise and support, as well as on-site problem solving and product education.

 FIND A DISTRIBUTOR



ENGINEERING

[FIND OUT MORE](#)



MANUFACTURING

[FIND OUT MORE](#)



[VIEW ONLINE CATALOG](#)

Carr Lane offers free, downloadable CAD Drawings for all of our industrial parts available through our online catalog.

Carr Lane Manufacturing provides you with savings through standardized industrial parts and tooling components.

Stop by and see us!





PURCHASING

[FIND OUT MORE](#)



STAGE & FILM

[FIND OUT MORE](#)

Thanks to our vast inventory, Carr Lane Manufacturing proudly ships over 90% of our orders the same day!*

Carr Lane tooling components including wagon brakes, lifting pins, hoist rings & more are trusted on stages across the globe.

If you are planning to attend any of these shows, we invite you to stop by our booth, see what's new, what's on the horizon, and grab our latest catalog. From coast to coast, Carr Lane Manufacturing has you covered!

Upcoming Trade Show Schedule

720 | Carr Lane Manufacturing Co. | 8/17

www.carrlane.com



Our Promise Of Quality

We are committed to being the world's preferred source of standard tooling components by meeting and surpassing our customers' expectations for top quality and excellent service every day.

ISO 9001
CERTIFIED



MANUFACTURING CO.

INCH DRILL SIZES		
Drill/Decimal	Drill/Decimal	Drill/Decimal
80	.0135	9/64 .1406
79	.0145	27 .1440
1/64	.0156	26 .1470
78	.0160	25 .1495
77	.0180	24 .1520
76	.0200	23 .1540
75	.0210	5/32 .1562
74	.0225	22 .1570
73	.0240	21 .1590
72	.0250	20 .1610
71	.0260	19 .1660
70	.0280	18 .1695
69	.0292	11/64 .1719
68	.0310	17 .1730
1/32	.0312	16 .1770
67	.0320	15 .1800
66	.0330	14 .1820
65	.0350	13 .1850
64	.0360	3/16 .1875
63	.0370	12 .1890
62	.0380	11 .1910
61	.0390	10 .1935
60	.0400	9 .1960
59	.0410	8 .1990
58	.0420	7 .2010
57	.0430	13/64 .2031
56	.0465	6 .2040
3/64	.0469	5 .2055
55	.0520	4 .2090
54	.0550	3 .2130
53	.0595	7/32 .2188
1/16	.0625	2 .2210
52	.0635	1 .2280
51	.0670	A .2340
50	.0700	15/64 .2344
49	.0730	B .2380
48	.0760	C .2420
5/64	.0781	D .2460
47	.0785	E .2500
46	.0810	1/4 .2500
45	.0820	F .2570
44	.0860	G .2610
43	.0890	17/64 .2656
42	.0935	H .2660
3/32	.0938	I .2720
41	.0960	J .2770
40	.0980	K .2810
39	.0995	9/32 .2812
38	.1015	L .2900
37	.1040	M .2950
36	.1065	19/64 .2969
7/64	.1094	N .3020
35	.1100	5/16 .3125
34	.1110	O .3160
33	.1130	P .3230
32	.1160	21/64 .3281
31	.1200	Q .3320
1/8	.1250	R .3390
30	.1285	11/32 .3438
29	.1360	S .3480
28	.1405	T .3580

METRIC DRILL SIZES		
Drill/Decimal	Drill/Decimal	Drill/Decimal
.35mm	.0138	3.60mm .1417
.38mm	.0150	3.70mm .1457
.40mm	.0157	3.75mm .1476
.42mm	.0165	3.80mm .1496
.45mm	.0177	3.90mm .1535
.48mm	.0189	4.00mm .1575
.50mm	.0197	4.10mm .1614
.55mm	.0217	4.20mm .1654
.60mm	.0236	4.25mm .1673
.65mm	.0256	4.30mm .1693
.70mm	.0276	4.40mm .1732
.75mm	.0295	4.50mm .1772
.80mm	.0315	4.60mm .1811
.85mm	.0335	4.70mm .1850
.90mm	.0354	4.75mm .1870
.95mm	.0374	4.80mm .1890
1.00mm	.0394	4.90mm .1929
1.05mm	.0413	5.00mm .1969
1.10mm	.0433	5.10mm .2008
1.15mm	.0453	5.20mm .2047
1.20mm	.0472	5.25mm .2067
1.25mm	.0492	5.30mm .2087
1.30mm	.0512	5.40mm .2126
1.35mm	.0531	5.50mm .2165
1.40mm	.0551	5.60mm .2205
1.45mm	.0571	5.70mm .2244
1.50mm	.0591	5.75mm .2264
1.55mm	.0610	5.80mm .2283
1.60mm	.0630	5.90mm .2323
1.65mm	.0650	6.00mm .2362
1.70mm	.0669	6.10mm .2402
1.75mm	.0689	6.20mm .2441
1.80mm	.0709	6.25mm .2461
1.85mm	.0728	6.30mm .2480
1.90mm	.0748	6.40mm .2520
1.95mm	.0768	6.50mm .2559
2.00mm	.0787	6.60mm .2598
2.05mm	.0807	6.70mm .2638
2.10mm	.0827	6.75mm .2657
2.15mm	.0846	6.80mm .2677
2.20mm	.0866	6.90mm .2717
2.25mm	.0886	7.00mm .2756
2.30mm	.0906	7.10mm .2795
2.35mm	.0925	7.20mm .2835
2.40mm	.0945	7.25mm .2854
2.45mm	.0965	7.30mm .2874
2.50mm	.0984	7.40mm .2913
2.55mm	.1004	7.50mm .2953
2.60mm	.1024	7.60mm .2992
2.65mm	.1043	7.70mm .3031
2.70mm	.1063	7.75mm .3051
2.75mm	.1083	7.80mm .3071
2.80mm	.1102	7.90mm .3110
2.90mm	.1142	8.00mm .3150
3.00mm	.1181	8.10mm .3189
3.10mm	.1220	8.20mm .3228
3.20mm	.1260	8.25mm .3248
3.25mm	.1280	8.30mm .3268
3.30mm	.1299	8.40mm .3307
3.40mm	.1339	8.50mm .3346
3.50mm	.1378	8.60mm .3386

TAP GUIDE SIZES (Priced as specials)		
Tap Size*	Tap Guide Nominal ID Size	Tap Drill Size**
#0-80	.0616	3/64
#2-56	.0883	#50
#2-64	.0880	#50
#4-40	.1152	#43
#4-48	.1147	#42
#5-40	.1282	#38
#5-44	.1280	#37
#6-32	.1421	#36
#6-40	.1412	#33
#8-32	.1681	#29
#8-36	.1676	#29
#10-24	.1954	#25
#10-32	.1941	#21
1/4-20	.2565	#7
1/4-28	.2546	#3
5/16-18	.3197	F
5/16-24	.3179	I
3/8-16	.3831	5/16
3/8-24	.3804	Q
7/16-14	.4468	U
7/16-20	.4440	25/64
1/2-13	.5100	27/64
1/2-20	.5065	29/64
9/16-12	.5733	31/64
9/16-18	.5697	33/64
5/8-11	.6368	17/32
5/8-18	.6322	37/64
3/4-10	.7630	21/32
3/4-16	.7581	11/16
7/8-9	.8894	49/64
7/8-14	.8843	13/16
1-8	1.0162	7/8
1-14	1.0093	15/16

METRIC		
M1.6x0.35	.0651	1.25mm or #55
M2x0.4	.0810	1.60mm or #52
M2.5x0.45	.1008	2.05mm or #46
M3x0.5	.1207	2.50mm or #39
M3.5x0.6	.1407	2.90mm or #32
M4x0.7	.1613	3.30mm or #30
M5x0.8	.2010	4.20mm or #19
M6x1	.2410	5.00mm or #8
M8x1.25	.3214	6.80mm or H
M8x1	.3197	7.00mm or J
M10x1.5	.4009	8.50mm or R
M10x1.25	.4002	8.80mm or 11/32
M12x1.75	.4805	10.20mm or 13/32
M12x1.25	.4789	10.80mm or 27/64
M14x2	.5600	12.00mm or 15/32
M14x1.5	.5584	12.50mm or 1/2
M16x2	.6387	14.00mm or 35/64
M16x1.5	.6372	14.50mm or 37/64
M18x2.5	.7191	15.50mm or 39/64
M18x1.5	.7159	16.50mm or 21/32
M20x2.5	.7978	17.50mm or 11/16
M20x1.5	.7946	18.50mm or 47/64
M22x2.5	.8765	19.50mm or 49/64
M22x1.5	.8734	20.50mm or 13/16
M24x3	.9583	21.00mm or 53/64
M24x2	.9537	22.00mm or 7/8

* Coarse series shown in bold. Pitch callout not required on metric coarse series.
** Closest size for 75% theoretical thread.



MANUFACTURING CO.
4200 Carr Lane Ct., P.O. Box 191970 • St. Louis, Missouri 63119-7970 USA
Phone: 314/647-6200 • Fax: 314/647-5736 • Web Site: www.carrlane.com

PRINTED IN U.S.A. COPYRIGHT 2018
CARR LANE MANUFACTURING CO.

ONLINE EXCLUSIVE

THIS CARR LANE MANUFACTURING PRODUCT
IS AVAILABLE EXCLUSIVELY ONLINE.



www.carrlane.com